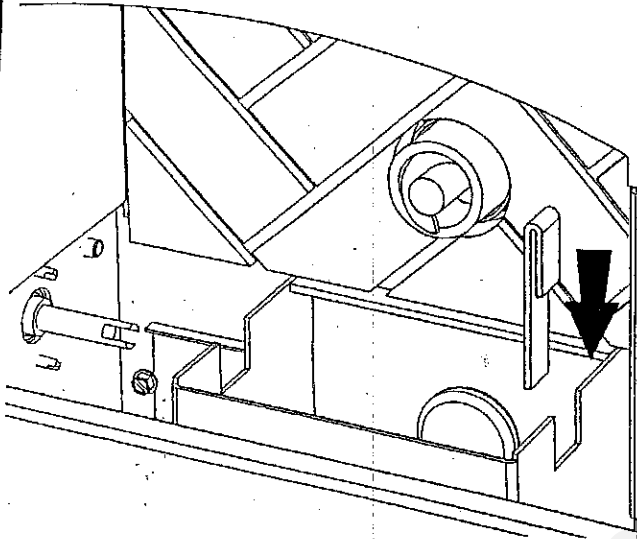
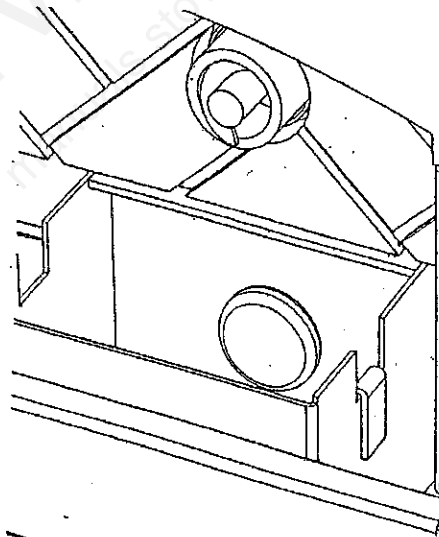


Installing the Burnpot Clip



- Remove the hairpin. Take out the agitator and the burnpot.
- Install the clip in the square notch on the right side of the burnpot housing. Install so that the long shank side is to the inside as shown.
- Re-install the burnpot, agitator and hairpin.



The clip should be as shown!