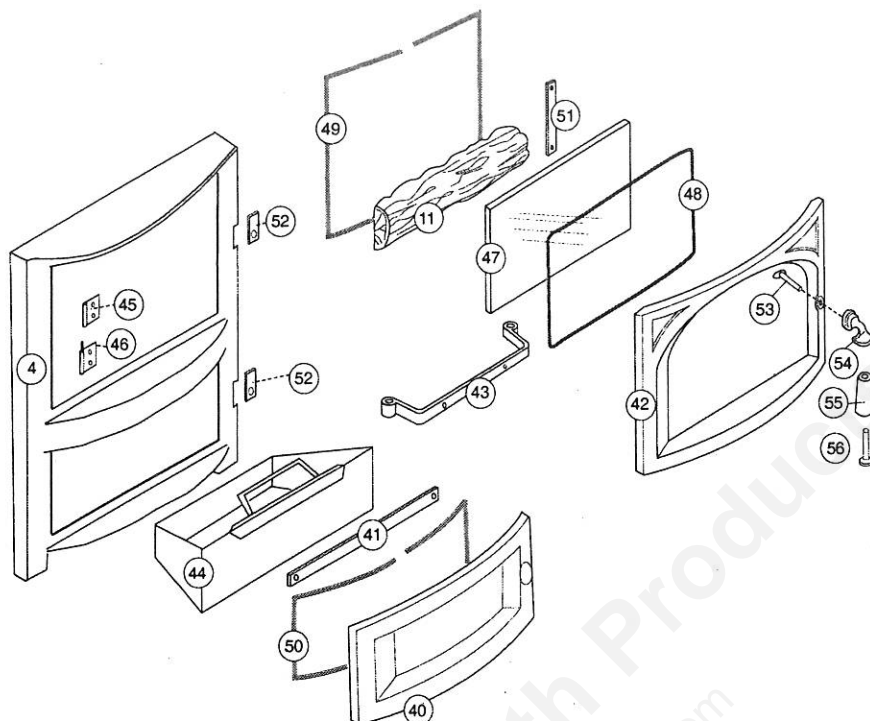


## Reliance Pellet Stove 2340

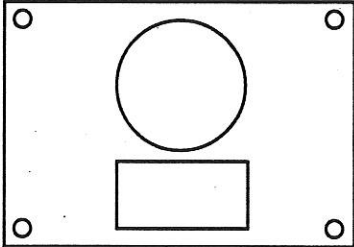
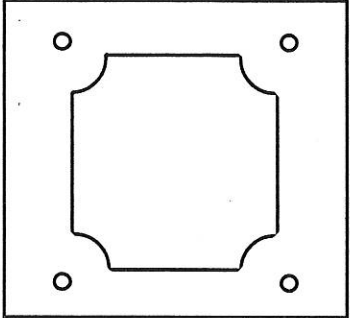
Item/Model Number	Part Number	Item/Model Number	Part Number
1. <i>BOTTOM</i>	NA	13. <i>AIR WASH PASSAGE COVER</i>	NA
2. <i>LEFT AIR MANIFOLD</i>	NA	14. <i>HOPPER</i>	NA
3. <i>LEFT EXHAUST PASSAGE COVER</i>	NA	15. <i>TOP (MUST BE ORDERED ASSEMBLED)</i>	NA
4. <i>FRONT FRAME</i>	NA	<i>Include:</i>	
5. <i>RIGHT AIR MANIFOLD</i>	NA	GLASS	1600001
6. <i>RIGHT EXHAUST PASSAGE COVER</i>	NA	SPONGE GASKET	1203534
7. <i>BURN POT</i>	1600031	16. <i>GLASS PANEL (MUST BE ORDERED ASSEMBLED)</i>	1600001
8. <i>BURN POT GASKET (6.75" TALL X 8" WIDE)</i>	1203525	<i>Include:</i>	
9. <i>TOP AIR MANIFOLD</i>	NA	TOP	1300019
10. <i>BACK LOG</i>	1600030	SPONGE GASKET	1203534
TOP LOG	1600028	17. <i>ACCESS WALL</i>	NA
LOG SET	0000013	18. <i>UPPER CONVECTION WALL</i>	NA
11. <i>FRONT LOG</i>	1600029	19. <i>LOWER ACCESS WALL</i>	NA
12. <i>RIGHT BACK LOG HOOK</i>	1400490	20. <i>POWER CORD</i>	1204816
LEFT BACK LOG HOOK	1400491	21. <i>FUSE HOLDER</i>	NA



## Reliance Pellet Stove 2340 cont.

Item/Model Number	Part Number	Item/Model Number	Part Number
<i>BUSS #AGC5 5-AMP FUSE</i>	NA		
22. PRINTED CIRCUIT BOARD ASSEMBLY	5000014	<b>Body Parts</b>	
23. AUGER MOTOR	1600039	<i>OUTER SIDE</i>	NA
24. PELLET FEED UNIT	1600033	<i>ASHLIP</i>	NA
25. FEED UNIT GASKET (6.00" X 6.00")	1203526	<i>FEED UNIT HEAT SHIELD</i>	NA
26. AIR DIRECTOR	NA	<i>NOISE ABSORBERS 6" X 6"</i>	NA
27. FIREBOX	NA	<i>3.5" HOSE CLAMP</i>	NA
28. UPPER MANIFOLD	NA	AIR INLET HOSE	1600034
29. CENTER EXHAUST PASSAGE COVER	NA	GAS SPRING BALL STUD	1204241
30. LOWER MANIFOLD	NA	CLEVIS PIN 3/16"	1600017
31. BOTTOM SHIELD	NA	<i>#21 HAIR SPRING COTTER PIN</i>	NA
32. LOWER CONVECTION WALL	NA	SPRING ANCHOR	1400517
35. INNER TOP	NA	TOP HINGE PLATE	1600018
40. ASHDOOR	NA	<b>Feed Unit Parts</b>	
41. ASHPAN HANGER	1600040	AUGER	1600046
42. FRONT DOOR	1300024	PUSHER BLOCK	1600048
43. FRONT LOG HOLDER	1400522	PUSHER BLOCK ACCESS DOOR	1600057
44. ASHPAN	1400488	BEARING AGITATOR SHAFT	1600055
45. HINGE, DOOR HALF	1604280	<b>Fans</b>	
46. HINGE, BODY HALF	1604281	EXHAUST FAN	1600010
47. FRONT DOOR GLASS PANEL	1600002	CONVECTION FAN 180 CFM	1600032
48. FRONT DOOR GLASS GASKET	1203556	WIRE TIE	1201501
49. FRONT DOOR OUTER GASKET	1203589	FAN RHEOSTAT CABLE ASSEMBLY	1600037
50. ASHDOOR GASKET	1203589	FAN RHEOSTAT LABEL	1600042
51. GLASS RETAINER	7001012	JUMPER GROUND	1606059
52. STRIKER PLATE	1400516	RUBBER GROMMET	1201881
53. FRONT DOOR LATCH	1600625	<b>Electrical Parts</b>	
54. FRONT DOOR HANDLE STUB	1600610	THERMOCOUPLE ASSEMBLY	5000013
55. FRONT DOOR HANDLE	1600664	SNAPSTAT	1600012
56. FRONT DOOR HANDLE SCREW (1/4"-20X 3")	1201310	<i>SNAPSTAT COVER</i>	NA
57. CONVECTION FAN	1600032	CONTROL PANEL ASSEMBLY (ON/OFF SWITCH, ETC)	5000003
60. GAS SPRING	1201848	<i>CONTROL PANEL HEAT SHIELD</i>	NA
61. LOG HOLDER (ON FRONT DOOR)	1400522		
62. LOWER LEFT CONVECTION WALL (NOT SHOWN)	NA		

# Reliance Pellet Stove 2340 cont.

Item/Model Number	Part Number	Item/Model Number	Part Number
<del>15A, 125V RECEPTACLE</del>	NA	1/4 PLN FL WASHER (2-LEFT & RIGHT EXHAUST COVERS)	1202470
<del>FUSE WIRING KIT</del>	NA	1/4 FL WASHER (2-FIREBOX TO UNIT, 8 DOOR HINGE HALVES, 8-BODY HINGE HALVES, 2-ASHLIP, 2-UPPER TO LOWER EXHAUST MANIFOLD)	1202473
<b>Misc. Handles &amp; Door Parts</b>		5/16-18 X 5/16 SS SOC (DOOR STUB)	1200563
FRONT HANDLE ASSEMBLY	5000013	5/16-18 X 1/2 HEX HD CP (HANGING HOLE)	1201481
<b>Hardware</b>		1/4-20 X 3 SL PAN HD (WOOD HANDLE SCREW)	1201310
1/4-20 X 2 PH FL HD (AIR WASH PASSAGE COVER TO FIREBOX)	12-0848	<b>Gaskets</b>	
1/4-20 X 5/8 PH FL HD (2-BACK LOG HOOKS, BOTTOM OF THE FRONT FRAME TO THE FIREBOX)	1200865	BURN POT GASKET (SEE ILLUSTRATION)	1203525
1/4-20 X 1/2 PH RD HD (2-LOWER CONVECTION WALLS TO BOTTOM, 4-EXHAUST FAN, 4-BOTTOM SHIELD TO BOTTOM)	1200894	SILICONE SPONGE GASKET (TOP LOAD DOOR-HELD ON WITH SUPER GLUE)	1203534
1/4-20 X 5/8 PH RD HD (4-INNER TOP TO SIDES)	1200896	FEED UNIT GASKET (SEE ILLUSTRATION)	1203526
1/4-20 X 1 1/4 PH FL HD (4-BURN POT TO FIREBOX)	1200904	600 DEG-H TEMP SICONE CEMENT (THERMOCOUPLE & EXHAUST FAN)	1601285
10-24 X 3/8 PH PAN HD (2-CONTROL PANEL)	1200985	400 DEG-H TEMP SILICONE CEMENT (HOPPER)	1206107
#8 X 1/2 PH PAN HD SMS (CHASSIS GROUND LEAD, 2-CONVECTION FAN JUMPERS)	1200989	ADHESIVE BACKED HOLDER (120V HOT LEAD TO INSIDE LOWER ACCESS WALL, RHEOSTAT HARNESS TO HOPPER SIDEWALL)	1208615
1/4-20 X 3/8 PH PAN HD (HOPPER TO INNER TOP, 2-CONTROL PANEL HEAT SHIELD, 2-SPRING ANCHOR)	1200993	5/16" ADHESIVE BACKED GASKET (1.3FT EXHAUST FAN MOUNTING)	1203591
10-32 X 3/16 PH PAN HD (2-GROUND LEADS TO CONVECTION FANS)	1200994	3/8 LOW DEN FIBERGLASS GASKET (5.67FT FRONT DOOR 4.17FT ASHDOOR)	1203589
8-32 X 2 1/2 SL RD HD (BOTTOM MOUNTING OF CONVECTION FAN)	1201244	3/16 FIBERGLASS GASKET (5FT FRONT DOOR GLASS 1.3FT EXHAUST FAN)	1203556
8-32 X 1 1/4 SL RD HD (TOP MOUNTING OF CONVECTION FAN)	1201245	L VENT COUPLER GASKET	NA
1/4-20 X 1/2 HEX HD CS (8-DOOR HINGE HALF, 8- BODY HINGE HALF, 2-STRIKER PLATES, 2-ASHPAN SUPPORT, 2- LOWER EXHAUST FAN BRACJKET TO LOWER MANIFOLD, 2-UPPER EXHAUST FAN BRACKET TO UPPER MANIFOLD, 2-LOG HOLDER, 2-TOP HINGE PLATES)	1201338	Majestic reserves the right to make changes in design, materials, specifications, prices and discontinue colors and products at any time, without notice.	
1/4-20 X 1/2 PLN HEX HD LVLR BLT (4-LEGS)	1201347		<b>BURN POT GASKET (1203525)</b>
1/4-20 X 5/8 S/S HEX HD CS (3-TOP AIR MANIFOLD TO FIREBOX, 2-LEFT & RIGHT EXHAUST COVERS)	1201373		<b>FEED UNIT GASKET (1203526)</b>
1/4-20 X 1 HEX HD CS (2-FIREBOX, 2-FRONT FRAME TO FIREBOX, 2-ASHLIP, 3-LOWER MANIFOLD TO BOTTOM, 2-UPPER MANIFOLD)	1201376		
1/4-20 X 3 3/4 HEX HD CS (2-MANIFOLDS TO BOTTOM)	1201394		
10-16 X 1/2 TKS HX HD WASHER (THERMOCOUPLE TO EXHAUST FAN)	1201704		
#10 X 1/2 PH PAN HD SMS (4-PC BOARD TO HOPPER, 4-UPPER TO LOWER CONVECTION WALL, 2-STAPSTAT COVER, 2-ACCESS WALL TO HOPPER, UPPER EXHAUST FAN BRACKET TO EXHAUST FAN, 2-RECEPTACLE TO LOWER ACCESS WALL, 2-LOWER ACCESS WALL TO BOTTOM SHIELD, UPPER EXHAUST FAN BRACKET, 4-ACCESS WALL TO BOTTOM SHIELD, 6-LOWER ACCESS WALL TO ACCESS WALL)	1202058		
1/4-20 X 1 1/2 FUL THD CRS STUD (2- EACH SIDE TO BOTTOM)	1204214		
1/4-20 X S/S HEX HD NUT (2-EACH SIDE TO BOTTOM, 2-BACK LOG HOOKS, 2-AIR WASH PASSAGE COVER, 8-BURN POT (4 INSIDE/4 OUTSIDE FIREBOX), 4-FEED UNIT TO FIREBOX)	1203212		
8-32 HEX NUT (8-CONVECTION FANS)	1203273		
1/4 EXT STAR WASHER (EXHAUST FAN GROUND)	1202461		
#8 PLN FL WASHER (4-CONVECTION FANS)	1202465		
#8 PLN EXT STAR WASHER (CHASSIS GROUND LEAD, 2-CONVECTION FANS GROUND JUMPERS)	1202466		

Vermont Castings, Majestic Products,  
410 Admiral Blvd., Mississauga, ON L5T 2N6.  
Phone (905) 670-7777.  
www.vermontcastings.com