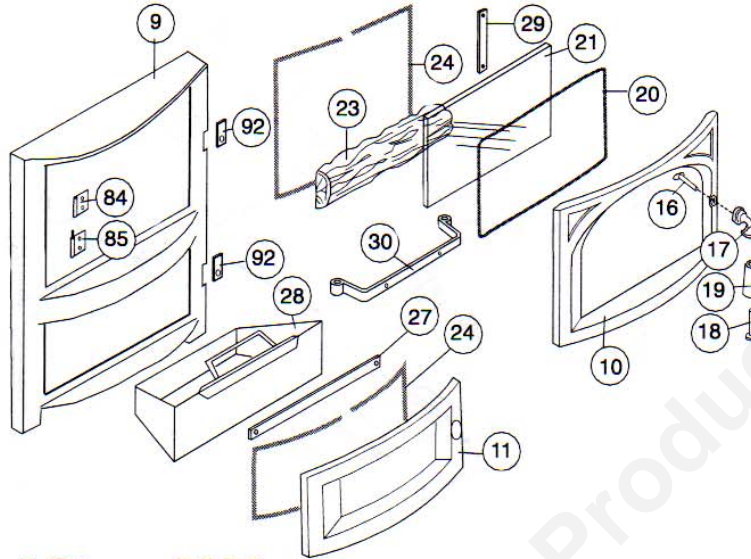


Reliance Pellet Stove 2220

Item/Model Number	Part Number	Item/Model Number	Part Number
6. BOTTOM	NA	23. FRONT LOG	1600029
7. TOP	NA	TOP LOG	1600028
<i>Order assembled:</i>		BACK LOG	1600030
GLASS PANEL	1600001	24. 3/8" FIBERGLASS GASKET	1203589
SPONGE GASKET	1203534	27. ASHPAN SUPPORT	NA
9. FRONT FRAME	NA	28. ASHPAN	NA
10. FRONT DOOR	NA	29. GLASS CLIP	7001012
11. ASHDOOR	NA	30. LOG HOLDER	1400522
12. ASHLIP	NA	31. FIXED BACK LOG	NA
13. SIDE PANEL	NA	SUBSTITUTE:	0000013
16. DOOR SHAFT	1600625	33. TOP GLASS PANEL	1600001
17. HANDLE STUB	1600610	<i>Order assembled:</i>	
18. PAN HEAD SCREW, 1/4"-20 X 3"	1201310	TOP	1300007
19. HANDLE	1600664	SPONGE GASKET	1203534
20. 3/16" FIBERGLASS GASKET (FOR DOOR GLASS)	1203556	34. SILICONE GASKET	1203532
21. DOOR GLASS	1600002	36. INNER TOP	NA



Reliance Pellet Stove 2220 cont.

Item/Model Number	Part Number	Item/Model Number	Part Number
37. HOPPER	NA	FRONT DOOR HANDLE ASSEMBLY	5004238
38. GAS SPRING	1201848	NEW LOG SET	0000013
41. UL/ULC LABEL	1600015	GRIDDLE HINGE	1600018
42. AIR SUPPLY FLANGE	1400519	AIR SUPPLY CONNECTOR FLANGE	1400520
43. BOTTOM SHIELD	NA	AUGER	1600044
44. BACK COVER	NA	AUGER SPRING	1201849
45. HOSE CLAMP	NA	AUGER BEARING	1600047
46. AIR INLET TUBE	NA	PUSHER BLOCK	1600048
47. POWER CORD	1204816	YOKE RETROFIT	1600049
54. UPPER CONVECTION WALL ASSEMBLY	5000018	PUSHER BLOCK ACCESS DOOR	1600057
55. LOWER CONVECTION WALL	NA	BEARING AGITATOR SHAFT	1600055
56. CONVECTION FAN HANGER	NA	SHAFT AGITATOR	1600056
57. SILICONE FAN HANGER TUBE	1601245	LIMITING ROD	1600026
58. DISTRIBUTION (CIRCULATING) FAN (NEW)	1600024	FEED MTR LEAD EXT. ASSEMBLY	NA
(OLD)	1600014	EXHAUST EXIT BRACKET	NA
59. FAN GUARD	NA	CONVECTION CORD SET	NA
60. CONTROL PANEL	5000003	SNAPSTAT COVER	NA
65. FEED UNIT MOTOR	1600039	SNAPSTAT	1600012
66. BURN POT	1600006	LEVELER BOLTS 1/2-20 X 1	1201745
67. BURN POT GASKET	1203530	MANUAL	2000511
68. FEED UNIT GASKET	1203531	POWER CORD	1204816
69. FEED UNIT	NA	THERMOSTAT	5000012
70. AUGER WIRE GUIDE	NA	SCRAPER	1600025
71. RECEPTACLE	NA		
76. COMBUSTION FAN	1600010		
77. COMBUSTION FAN ADAPTER	NA		
80. FIREBOX AND MANIFOLD ASSEMBLY	NA		
81. THERMOCOUPLE ASSEMBLY	NA		
82. AIR MANIFOLD	NA		
83. FIREBOX CLEANOUT COVER	NA		
84. DOOR HINGE HALF	1604280		
85. BODY HINGE HALF	1604281		
86. PRINTED CIRCUIT BOARD	5000002		
87. BALL STUD	1204241		
88. FUSE HOLDER	NA		
BUSS #ACC5, 5-AMP FUSE	NA		
89. 3/16" CLEVIS PIN	1600017		
90. #21 COTTER PIN (HAIR SPRING)	NA		
91. SPRING ARM ANCHOR	1400517		
92. STRIKER PLATE	1400516		
5/16-18 X 5/16 SOS SS	1200563		

*Use the following prefixes for enamel parts:

131 - Steel Sand	
132 - Sand	
BOTTOM	*0006
SIDE	*0008
ASHLIP (No longer available in Sand)	*0012
ASHDOOR	*0011
FRONT DOOR	*0010

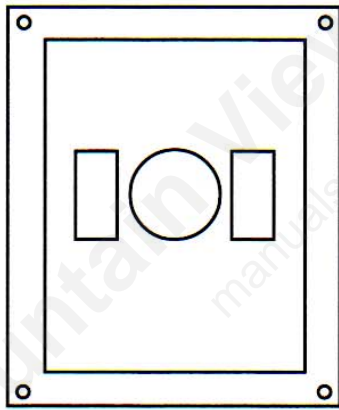
Hardware

1/4-20 X 1/2 PH RD HD (INNER TOP TO SIDES, LOWER CONVECTION WALL TO THE BOTTOM & BOTTOM SHIELD)	1200894
10 X 16 X 1/2 HEX HD WASHER (THERMOCOUPLE TO EXHAUST FAN)	1201704
10-24 X 3/8 PH PAN HD (CONTROL PANEL ASSEMBLY, HOPPER TO INNER TOP)	1200985
10-24 X 3/4 PH PAN HEAD (PC BOARD TO HOPPER)	1200991

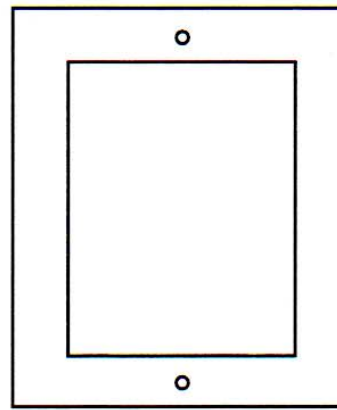
Reliance Pellet Stove 2220 cont.

Item/Model Number	Part Number	Item/Model Number	Part Number
1/4-20 X 1 1/2 FUL THD CRS STUD (BOTTOM TO LEFT & RIGHT SIDE ASSEMBLIES)	1204214	1/4 STAR WASHER (EXHAUST FAN GROUND)	1202461
1/4-20 X 1/2 SOC FL HD CS (ASH PAN SUPPORT)	1200482	#8 PLAIN STAR WASHER (GROUND LEAD)	1202466
1/4-20 X 1/2 HEX HD CAP SCREW (FIREBOX TO FRONT FRAME, HINGE PLATES, DOOR HINGES, STRIKER PLATES)	1201338	1/4 PLAIN FLAT WASHER (FIREBOX/ FRONT FRAME & BOTTOM, BOTTOM TO SIDES)	1202470
6-32 X 2 SL RD HD (FAN GUARD)	1201242	1/4- .266i X .629o .064t WASHER (DOOR HINGES, ASH LIP)	1202473
1/4-20 X 3/4 HEX HD CAP SCREW (AIR MANIFOLD, ASH LIP, EXHAUST FAN)	1201374	1/4- .313i X .742o X .06t (FIREBOX TO FRONT FRAME, AIR MANIFOLD)	1202474
1/4-20 X 1 HEX HD CAP SCREW (FIREBOX FRONT FRAME TO BOTTOM)	1201376	1/4-20 X 3/8 PH PAN HD (SPRING ANCHOR)	1200993
1/4-20 X 2 3/4 FUL THD HEX HD CS (LEVELLER BOLT FOR FIREBOX, FRONT FRAME, EXHAUST FAN)	1201404	10-24 X 1/4 PH TRS HD (GLASS CLIPS)	1200996
1/4-20 PLAIN NUT (EXHAUST FAN, AIR MANIFOLD, BOTTOM TO LEFT & RIGHT SIDE ASSEMBLIES)	1203210	1/4-20 X 1/2 HEX HD CS (LOG HOLDER)	1201338
1/4-20 PLN HEX TOP LOCK NUT (CLEAN OUT COVERS)	1203211	1/4-20 - #304 SS HEX NUT (BACK LOG)	1203212
10-24 HEX NUT (PC BOARD TO HOPPER, HOPPER TO INNER TOP)	1203251	1/4-#304 SS FLAT WASHER (BACK LOG)	1202472
6-32 HEX NUT (FAN GUARD)	1203272	Gaskets	
#8 X 1/4 PH PAN HD SMS (GROUND LEAD)	1200989	3/8 LOW DENSITY FIBERGLASS (5.60' FRONT DOOR, 4.17' ASHDOOR)	1203589
#10 X 1/2 PH PAN HD SMS (HOPPER TO INNER TOP, INNER TOP TO UPPER CONVECTION WALL, FAN HANGERS, UPPER TO LOWER CONVECTION WALL, SNAPSTAT COVER, ACCESS WALL, AUGER WIRE GUIDE)	1202058	3/16 FIBERGLASS GASKET (5' FRONT DOOR GLASS AREA)	1203556
#10 X 1 PH PAN HD SMS (LOWER & UPPER CONVECTION WALLS TO FIREBOX)	1202088	SILICON GASKET (5' GRIDDLE GLASS)	1203532
		FEED UNIT GASKET (WHERE FEED UNIT MEETS THE BACK OF THE FIRE CHAMBER)	1203531
		INNER BURN POT GASKET (ILLUSTRATION BELOW)	1203530
		OUTER BURN POT GASKET (ILLUSTRATION BELOW)	1203531

Majestic reserves the right to make changes in design, materials, specifications, prices and discontinue colors and products at any time, without notice.



INNER BURN POT GASKET (1203530)



OUTER BURN POT GASKET (1203531)

THE **MAJESTIC** PRODUCTS COMPANY

475 Admiral Blvd. • Mississauga, Ontario, Canada L5T 2N1 • 905-670-7885
1000 East Market St. • Huntington, IN 46750 USA • 219-356-8000
<http://www.majesticproducts.com>