



Whitfield

Advantage Pellet Stove

40020093

Owner's Manual and Operating Instructions

Manufactured in the U.S.A

Congratulations on the purchase of your Whitfield Pellet Stove!

When you purchased your Whitfield stove, you joined other ranks of thousands of concerned individuals who's answer to their home heating system reflected their concern for aesthetics, efficiency, and our environment. We extend our continued support to help you achieve the maximum benefit and enjoyment available from your pellet stove.

Please familiarize yourself with this Owner's Manual before installing your Whitfield stove. This manual covers, in detail, the necessary steps required in assembling and installing your Whitfield Pellet stove in a safe manner.

We at Pyro Industries, Inc., the manufacturer of the "Original Pellet Stove" – thank you for selecting a Whitfield as the answer to your home heating needs.

Sincerely,

All of us at Pyro Industries, Inc.

TABLE OF CONTENTS

Safety Precautions	4
Safety Notice	4
Installation Disclaimer	4
Detailed Safety Precautions	4
Safety Testing	
Whitfield Advantage III Stove Safety Label	
Pellets	6
General Information	6
Clinkering	6
Ash	6
Fuel Feed Rates	6
Grate Configurations	6
Stove Installation	7
Stove Installation Check List	8
Pre-Installation Assembly	8
Damper Rod Assembly	9
Stove Window Trim Installation	9
Ash Pan Trim Assembly	10
Stove Installation Configurations	10
Floor Protection	10
Clearances to Combustibles	10
Stove Exhaust / Intake Installation	11
General Guidelines For Installing Exhaust System	11
Freestanding Configuration	11
Insert Configuration	12
Determining Equivalent Pipe Length	12
Installing Your Freestanding Pellet Stove	13
Standard Horizontal Exhaust Installation	14
Freestanding Stove Dimensions	15
Horizontal Installation Configuration	16
Vertical Installation Configuration	17
Mobile Home Installation Configuration	17
Installing Your Insert Pellet Stove	18
Venting Into An Existing Chimney	18
Full Chimney Reline Configuration	18
Direct Connect Configuration	18
Direct Vent Configuration	19
Built-in Heater Installation	19
Thermostat Installation / Control Panel Removal	20
Control Panel Removal	20
To Install A Wall Thermostat	20
Stove Operating Controls	
Operating Instructions	22
Pre Lighting Instructions	21
Starting Your Whitfield Pellet Stove	21

TABLE OF CONTENTS (Cont'd)

Automatic Safety Features

Power Outage	23
Overheating	23
Turning Off Your Pellet Stove	23

Routine Cleaning

Burn Pot & Grate	24
Heat Exchanger Tubes	25
Ash Pan	25
Ash Trap And Baffles	25
Ash Release Slide Plates	26

Routine Maintenance

Door Rope Gasket	26
Exhaust Vent	26
Motor Lubrication	26

Appendices

- Appendix A - Advantage Trouble-shooting Guide
- Appendix B - Floor Protection Materials
- Appendix C - Shroud Panel Access
- Appendix D - Optional Accessories
- Appendix E - Wiring Diagram
- Appendix F - Warranty

Please note: Not all drawings are drawn to scale. Use the drawings in this manual as a guideline only. Refer to the text of manual for installation instructions, specifications and requirements.

SAFETY PRECAUTIONS

SAFETY NOTICE

THIS STOVE MUST BE PROPERLY INSTALLED AND OPERATED IN ORDER TO PREVENT THE POSSIBILITY OF A HOUSE FIRE. FOR YOUR SAFETY, THE INSTALLATION AND OPERATION INSTRUCTIONS MUST BE STRICTLY ADHERED TO CONTACT YOUR LOCAL BUILDING OFFICIALS TO OBTAIN A PERMIT AND INFORMATION ON ANY INSTALLATION RESTRICTIONS AND INSPECTION REQUIREMENTS IN YOUR AREA.

INSTALLATION DISCLAIMER

THIS STOVE'S EXHAUST SYSTEM WORKS WITH NEGATIVE COMBUSTION CHAMBER PRESSURE AND A SLIGHTLY POSITIVE CHIMNEY PRESSURE. THEREFORE, IT IS IMPERATIVE THAT THE EXHAUST SYSTEM BE AIRTIGHT AND INSTALLED CORRECTLY. SINCE PYRO INDUSTRIES, INC., HAS NO CONTROL OVER THE INSTALLATION OF YOUR STOVE, PYRO INDUSTRIES GRANTS NO WARRANTY, IMPLIED OR STATED FOR THE INSTALLATION OR MAINTENANCE OF YOUR STOVE, AND ASSUMES NO RESPONSIBILITY FOR ANY CONSEQUENTIAL DAMAGE(S).

DETAILED SAFETY PRECAUTIONS

Fuel - The Whitfield Advantage is designed and approved for the burning of wood residue pellets and non-wood pellets with up to 3% ash content (i.e. . . cardboard, paper and nut hulls) The burning of agricultural residues (i.e.... corn, alfalfa etc....) is not permitted. Failure to comply with this restriction will void all warranties and the safety listing of the stove. Confer with your dealer for more information on approved pellet fuels.

Cleaning - There may be some build-up of dust and smaller quantities of soot or creosote in the exhaust vent and baffles over the burn season. This will vary due to the ash content of the fuel being burned. A precautionary inspection on a regular basis is advisable to determine the necessity of cleaning.

Continuous Operation - Under correct operation, the Whitfield Advantage cannot be over-fired. Continuous operation at a maximum burn can, however, shorten the life of the electrical components (blowers, motors, and electronic controls), and is not recommended. Typical approved operation would include running at position 3 or 4, with occasional running at 4 or 5 during the coldest periods of the winter.

Liquid Flammables - Gasoline or other flammable liquids must NEVER be used to start or "freshen up" the fire. Keep all such liquids well away from the stove at all times.

Ashes - Any ashes removed from the Whitfield Advantage must be deposited in a metal container with a tight-fitting lid. The closed container of ashes should be placed on a non combustible surface pending final disposal.

Power - The appliance is provided with an 8 foot, grounded electrical cord. This cord should be connected to a standard, 110 volt, 60 Hz electrical outlet. The approximate power requirement is 200 watts. The power supply cord must be routed to avoid contact with any of the hot or sharp exterior surface areas of the stove. In addition, any Whitfield Advantage stove that is installed in a mobile home must be electrically grounded to the steel chassis and bolted to the floor in compliance with and according to H.U.D. requirements unless otherwise specified by state or local authorities.

Soot Formation - Burning with insufficient combustion air will result in the formation of soot, which will be deposited in the flue, the heat exchanger, and when the stove vents through the wall, it will stain the outside of the house. This is a hazardous situation in addition to being inefficient and a wasteful use of pellets. Check your stove frequently, and adjust as required.

Auger - Pellet fuel is fed to the burn pot by an auger. This auger is driven by a high torque motor. The auger is capable of doing serious harm to fingers. Keep pellets in hopper at all times and keep fingers away from auger. The auger can start at any time while the stove is running.

Smoke Detector - A smoke detector MUST be installed in the vicinity of the stove.

SAFETY TESTING

In accordance with the specifications and procedures listed in UL 1482 for solid fuel room heaters, the Whitfield Advantage pellet stoves have been independently tested and listed by Warnock Hersey, (an accredited testing laboratory) to UL and CSA standards. UL 1482 states requirements for installation as a freestanding room heater, or hearth insert for masonry or metal (zero clearance) fireplaces. The safety listing label is located inside the hopper lid on Advantage Freestanding stoves or on the outside of the hopper on an Advantage Insert stove. Please read this safety label carefully. It contains important information about installation and operation of your Whitfield Pellet Stove. This Owner's Manual is provided to you to supplement, rather than replace or update, the information contained on the safety label. Note that your stove's serial number is located on this label. Your stove's serial number is preceded by a "WH-".

This appliance is designed specifically for use only with pelletized fuels. It is tested and listed for residential installation according to current national and local building codes as:

- A Freestanding Room Heater
- A Hearth Insert when installed into a masonry or factory built fireplace
- A Built-in Heater
- A Mobile Home Heater

Note: This stove is not intended for use in commercial installations other than where the stove is being sold without prior approval from Pyro Industries, Inc.

The stove will not operate using natural draft, nor without a power source for the blower and fuel feeding systems. The appliance is provided with an exhaust connector for a 3 inch type "L" double wall vent pipe with stainless steel inner liner (on freestanding & built-in installations), or single wall, stainless steel rigid or flexible pipe (for insert installations).

WHITFIELD ADVANTAGE PELLET STOVE SAFETY LABEL



LISTED ROOM HEATER, PELLETIZED WOOD FUEL TYPE. ALSO FOR USE IN MOBILE HOMES, AND AS AN INSERT FOR MASONRY FIREPLACES AND FACTORY BUILT FIREPLACES, OR AS BUILT IN MODEL: WP2 ADVANTAGE TESTED TO: UL 1482 / U.L.C.-S627 / CSA B366.2M / U.L.C.-S628 REPORT NO: 5515 (DEC. 1991).

INSTALL AND USE ONLY IN ACCORDANCE WITH THE MANUFACTURER'S INSTALLATION INSTRUCTIONS. CONTACT LOCAL BUILDING OR FIRE OFFICIALS ABOUT RESTRICTIONS AND INSTALLATION INSPECTION IN YOUR AREA. DO NOT CONNECT THIS UNIT TO A CHIMNEY FLUE SERVING ANOTHER FIREPLACE. SEE LOCAL BUILDING CODE AND MANUFACTURER'S INSTRUCTIONS FOR PRECAUTIONS REQUIRED FOR PASSING A CHIMNEY THROUGH A COMBUSTIBLE WALL OR CEILING. THIS PELLET FUELED APPLIANCE HAS BEEN TESTED AND LISTED FOR USE IN MANUFACTURED HOMES IN ACCORDANCE WITH OREGON ADMINISTRATIVE RULES 814-23-900 THROUGH 814-23-909.

OPERATE ONLY WITH FIREBRICKS IN PLACE. OPERATE ONLY WITH VIEWING DOOR CLOSED. INSPECT FLUE FREQUENTLY. CLEAN HEAT EXCHANGER AND FLUE FREQUENTLY TO PREVENT ACCUMULATION OF SOOT. THE HEATER AND FLUE MUST BE IN GOOD CONDITION. REQUIRED COMPONENTS: DAMPER SEALING PLATE FOR INSERT INSTALLATIONS. OPTIONAL COMPONENTS: SHROUD FOR INSERT ULTRA GRATE. KEEP FURNISHINGS AND OTHER COMBUSTIBLE MATERIALS WELL AWAY FROM HEATER.

ROUTINE MAINTENANCE REMINDER

FREQUENCY OF CLEANING AND MAINTENANCE OF YOUR STOVE DEPENDS ON THE ASH CONTENT OF THE PELLETS YOU BURN. CHECK THE FOLLOWING PARTS OF YOUR STOVE WEEKLY FOR THE FIRST MONTH TO DETERMINE OF CLEANING:

- BURN GRATE
- HEAT EXCHANGER TUBES
- ASH TRAPS AND ASH PAN

SEE YOUR MANUAL AND/DEALER FOR MORE INFORMATION.

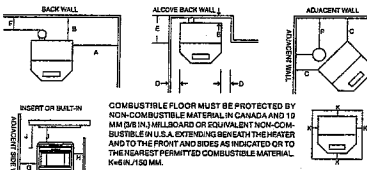


MADE IN USA

DO NOT REMOVE THIS LABEL

WH-

MINIMUM CLEARANCES TO COMBUSTIBLE MATERIALS	
INSTALLED AS FREESTANDING STOVE	MOBILE HOME OR RESIDENTIAL INSTALLATION
A. SIDEWALL TO UNIT	6" / 152 MM
B. BACKWALL TO UNIT	1" / 25 MM
C. CORNER TO UNIT	1" / 25 MM
D. ALGIVE TO FUEL HOPPER	6" / 152 MM
E. DEPTH OF ALGIVE	18" / 457 MM
F. FLUE TO WALL	N/A



COMBUSTIBLE FLOOR MUST BE PROTECTED BY NON-COMBUSTIBLE MATERIAL IN CANADA AND 10 MM (3/8 IN.) MILLBOARD OR EQUIVALENT NON-COMBUSTIBLE U.S.A. EXTENDING BEHIND THE HEATER AND TO THE FRONT AND SIDES AS INDICATED OR TO THE HIGHEST PERMITTED COMBUSTIBLE MATERIAL. 1/4 (6.35) MM.

INSTALLED AS AN INSERT USE 2775 MM / MODEL PL CHIMNEY COMPONENTS OR LISTED SINGLE WALL CHIMNEY LINER. SEAL THE AREA BETWEEN THE FIREPLACE DAMPER AND THE INSERT FLUE. MAY BE REBUILT IN A MASONRY FIREPLACE THAT MEETS NATIONAL AND LOCAL BUILDING CODE REQUIREMENTS. DO NOT REMOVE BRICKS OR MORTAR. MAY BE INSTALLED IN A FACTORY BUILT FIREPLACE. DO NOT ALTER OR MODIFY THE FIREPLACE. MAY BE FRAMED INTO WALL WITHIN MIN. 1" CLEARANCE AROUND HOPPER OF STOVE. REFER TO OWNERS MANUAL FOR SPECIFIC INSTALLATION REQUIREMENTS.

MADE IN U.S.A. BY: PYRO INDUSTRIES, INC. BURLINGTON, WA
PRINTED IN U.S.A.



CAUTION: HOT SURFACES WHILE IN OPERATION. DO NOT TOUCH. CONTACT MAY CAUSE SKIN BURNS. KEEP CHILDREN, COMBUSTIBLE MATERIAL AND FURNISHINGS A CONSIDERABLE DISTANCE AWAY. SEE NAMEPLATE AND INSTRUCTIONS. TYPE OF FUEL: PELLETIZED WOOD FUEL ONLY.

U.S. ENVIRONMENTAL PROTECTION AGENCY

CERTIFIED to comply with July 1990 particulate emission standards

DATE OF MANUFACTURE



Whitfield pellet stoves and fireplace inserts are safety tested and listed by Warnock Hersey Professional Services, Ltd.

PELLETS - IMPORTANT: PLEASE READ

GENERAL INFORMATION

The Whitfield Advantage has been designed to burn wood residue pellets and non-wood pellets with up to 3% ash content (i.e... cardboard, nut hulls etc...). Agricultural pellets (i.e... corn, alfalfa etc...) are not permitted to be burned in your stove. Dirty fuel will adversely affect the performance of the stove. **Caution:** The use of dirty, wet and/or high sodium content fuel may void the warranty!

Wood pellets manufactured to the Association of Pellet Fuel Industries (A.P.F.I.) Certification Standard are available in two grades, "Standard" and "Premium". The primary difference between the two is the ash content of the pellets ("Premium" has 1% or less ash content) ("Standard" has up to 3% ash content)

The A.P.F.I., specification for "Standard Grade" residential pellet fuel is as follows:

HEAT CONTENT:	8200 BTU/lb. minimum
BULK DENSITY:	40 lb./ cu. ft. minimum
MOISTURE CONTENT:	8% maximum
ASH CONTENT:	3% maximum size: 1/4" to 3/8" diameter, 1 1/2" long maximum
FINES:	0.5% maximum through a 1/8" screen

CLINKING

Silica (or sand) in the fuel, along with other impurities, can cause clinking. A clinker is a hard mass of silica formed in the burning process. Clinkering is a function of the fuel, (not the stove), but adversely affects the performance of the stove by blocking off the air holes in the grate. Even an A.P.F.I. approved pellet fuel may tend to clinker. A clinker can be removed from the burn grate and placed in the ash pan with the use of the grate scraper / ash pan tool. See **Routine Maintenance** for more information on cleaning.

ASH

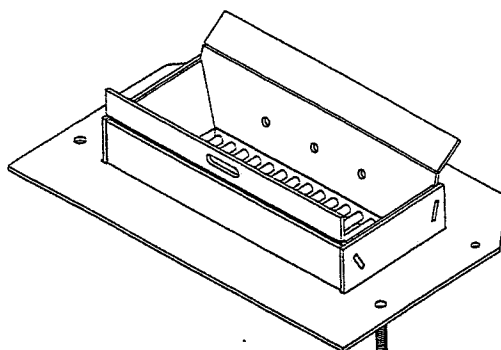
The frequency of removal of the ash and maintenance performed on the stove is directly proportional to the ash content of the fuel. A stove burning fuel with .25% ash content may only need to be cleaned out once every 1 to 2 weeks. However, a stove burning a fuel with 3% ash content may need cleaning every 1 to 2 days.

PLEASE NOTE: Pyro Industries, Inc., has no control over the manufacturing of pellet fuel and will not be held responsible for poor stove performance or any damage caused by inferior pellet fuels.

FUEL FEED RATES

Different brands of pellets will feed at varying rates due to their size and density. This may require a slight adjustment from the factory setting by adjusting the damper rod "in" or "out" as needed.

GRATE CONFIGURATION:



Used With A.P.F.I. Standard and Premium Grade Fuels

STOVE INSTALLATION

STOVE INSTALLATION CHECK LIST

Check off each item as you go through your installation.

As part of the installation process

- It is suggested that you have an authorized Whitfield dealer install your stove. If you install the stove yourself, you should review your installation plan with the Authorized Whitfield Dealer you purchased your stove from.
- Take 15 -20 minutes to read the ENTIRE Stove Installation section.
- Read the Insert or Freestanding Sections (whichever is appropriate).
- Determine the appropriate measurements and locations for your installation.
- Follow the installation directions under Stove Installation & the Installation section appropriate to your stove type (Freestanding or Insert)
- Be sure to pre-fit your items before you install, fasten, or set up the stove permanently.

Prior to lighting your stove:

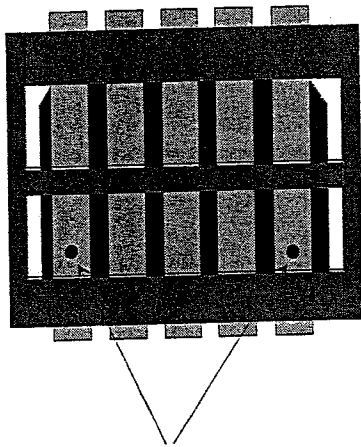
- Review the Safety Precautions section.
- Review the Pellets Section.
- Review the Operating Instructions.
- Follow the Operating Instructions.

After you have begun operation of your stove:

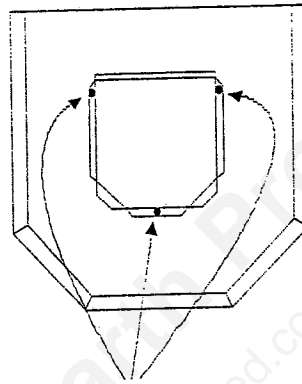
- Review the Routine Cleaning / Maintenance information
- Enjoy the warmth from your new Whitfield Advantage Pellet Stove !

PRE INSTALLATION ASSEMBLY

1. After removing the packaging from the stove, lift the hopper lid, and remove all pre-packaged items from the hopper. Also open the combustion chamber door and remove all pre-packaged items.
2. Using a 9/16" socket or open end wrench, remove the two bolts that secure the stove to the wooden pallet.
3. If your stove is a freestanding model, remove the pedestal from its container. Using the three short bolts packaged in the pedestal box, attach the pedestal to the bottom of the stove.
4. If your stove is an insert model, refer to Appendix E for instructions on installing your shroud.



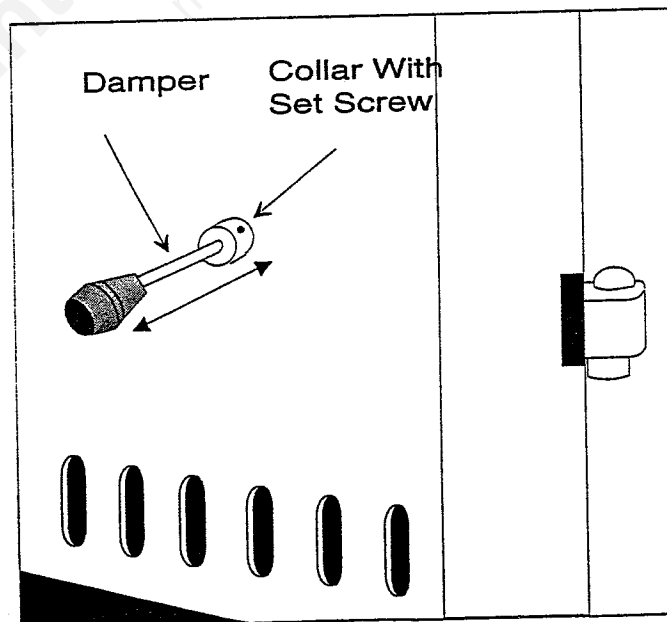
Remove The Two Bolts From Under The Pallet



Attach Stove To Pedestal By Inserting Three Bolts

DAMPER ROD ASSEMBLY

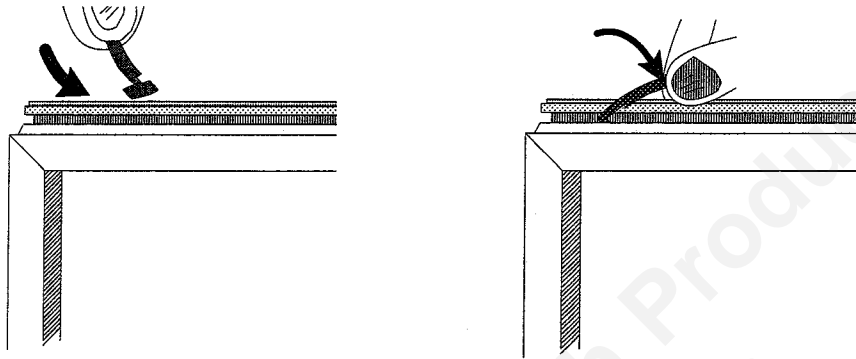
Remove the damper rod, handle and set collar from the box. Insert one end into the hole on the left side of the stove. Thread the rod into the press nut on the damper paddle. (You won't be able to see this nut.) The Damper Rod is preset at 2 1/4". Pull the rod to its fully extended position and measure from the side of the stove to the inside of the collar. If this distance is not 2 1/4", move the collar as needed and retighten the set screw with an Allen wrench. Push the rod in until the collar rests against the side of the stove.



STOVE WINDOW TRIM INSTALLATION (ADVANTAGE II-T MODEL)

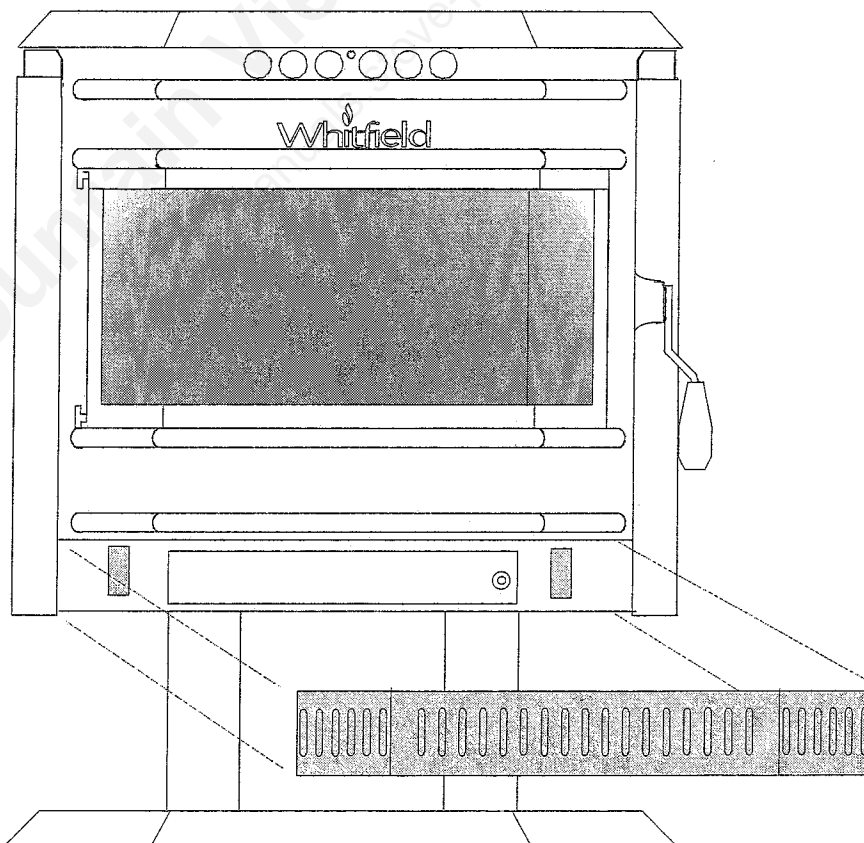
Three window clips are provided. Only one clip is needed for each piece of window trim.

1. Turn the trim clip sideways and put the "Tee" end of the window clip into the window trim.
2. Rotate the trim clip around and place the "straight" end of the clip in the channel on the window trim. Make sure that the tooth is towards the window for a better hold.
3. The window trim clip should go on the trim in the position shown below. Place the bottom of the trim into the window opening first and press firmly until the top of the window trim slips into the window opening.



ASH PAN TRIM ASSEMBLY

4. Remove the ash pan trim piece from its container. Attach it to the bottom front of the stove. The ash pan trim piece has two magnets attached to it that mount to the brackets on either side of the ash pan door.



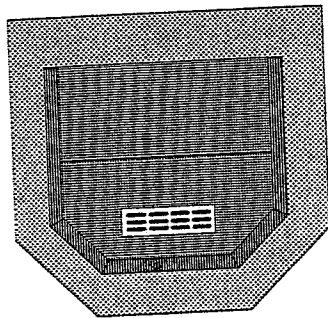
STOVE INSTALLATION CONFIGURATIONS

YOUR WHITFIELD MAY BE INSTALLED AS:

- A freestanding unit with a pedestal placed on a non-combustible floor pad.
- A fireplace insert set into a masonry or factory built fireplace.
- A built-in stove(insert) placed on an insulated floor pad.
- A mobile home heater placed on a non-combustible floor pad, bolted and electrically grounded to the chassis of the home.

FLOOR PROTECTION

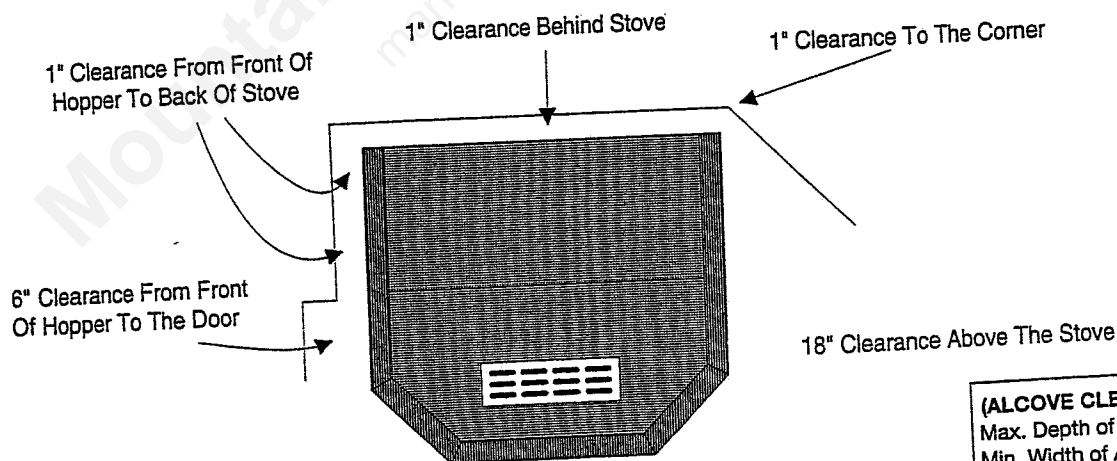
Your Whitfield pellet stove must be installed on a non combustible protective floor pad of minimum 3/8" thickness material or a masonry hearth. The hearth or floor pad must extend a minimum of 6" in front of and from each side of the stove (and 6" behind, in a freestanding/inside vertical installation configuration) or to the nearest permitted combustible material (if less than 6").



The Hearth Pad Must Extend A Minimum Of 6" To The Sides And Front Of The Stove. 1" In The Rear. 6" In The Rear In A Freestanding Inside Vertical Installation Configuration

CLEARANCES TO COMBUSTIBLES

The stove must be installed with the following minimum clearances to combustible materials.



Although a 1" clearance to a combustible is a minimum, you should have at least 1.5" of clearance to allow the hopper lid to open all the way.

Keep all combustible material at least 18" (horizontally) away from the glass windows.

STOVE EXHAUST / INTAKE INSTALLATION

IT IS RECOMMENDED THAT ONLY AN AUTHORIZED DEALER INSTALL YOUR PELLET STOVE.

THE FOLLOWING INSTALLATION GUIDELINES MUST BE FOLLOWED TO ENSURE CONFORMITY WITH BOTH THE SAFETY LISTING OF THE STOVE AND LOCAL BUILDING CODES.

GENERAL GUIDELINES FOR INSTALLING EXHAUST SYSTEM

FREESTANDING:

- A listed 3 or 4 inch type "L" pellet vent exhaust system must be used for freestanding installations and attached to the pipe connector provided on the back of the stove. Use a 3-to-4 inch adapter for 4 inch pipe.
- The vent termination must be located no less than 48" from any opening through which combustion products could enter the building, (i.e. windows and doors) not less than 24" from an adjacent building, and not less than 7' above grade when located adjacent to public walkways. The exit terminal must be arranged so that flue gases are not directed so as to jeopardize people, overheat combustible structures or enter the building. Keep brush, plants and shrubs at least 36" away from vent termination. As in all stoves, sparks may escape from the exhaust pipe, always use caution when positioning the vent pipe. **Refer to pipe manufacturer's instructions when installing and terminating your exhaust pipe.**
- Ninety-degree elbows accumulate fly ash and soot thereby reducing exhaust flow and performance of the stove. Horizontal runs of pipe collect fly ash also. It is recommended that a single or double clean-out 'tee' be installed at every 90 degree turn so that fly ash can accumulate at the bottom of the 'tee'. If a 90 degree turn connects a vertical run of pipe to a horizontal run (as you follow the exhaust away from the stove), a tee is not required. At any other 90 degree turn, installation of a clean out tee is recommended to permit periodic cleaning of both the horizontal and vertical runs of pipe.
- Total length of horizontal vent must not exceed 25 ft.
- **CAUTION:** On all direct vent installations, care should be taken when choosing a location for terminating the vent. It is not recommended to directly vent the exhaust on the prevailing wind side of the house. This type of installation may cause a burn back in the stove during a power outage. This may cause serious harm to persons or property.

INSERT:

- A 3" single-wall, stainless steel flexible or rigid exhaust pipe may be used for insert installations and must be attached to the stove with a single or double wall, stainless 'tee' with a clean-out cap. The stainless steel 'tee' can be inclined at 45 degrees to enable the vent to be centered on the stove, and allows the 'tee' to be cleaned out more easily without removing the stove.
- When venting into an existing chimney (masonry or factory built) the chimney must be cleaned, with all creosote, dust and ashes removed.
- The "L" vent or single wall stainless exhaust system must be installed so as to be GAS TIGHT! The vent manufacturer's installation procedures must be followed. In addition, pipe connections, joints and all pipe seams within the home should be sealed with room temperature vulcanizing, high temperature silicone sealer (RTV).

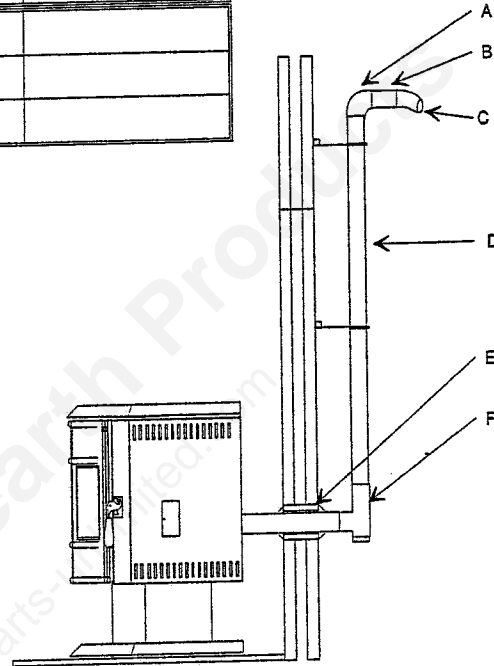
If an insert is to be installed into an unlined masonry chimney, it is recommended that the 3" or 4" rigid or flex pipe be extended to the top of the existing chimney. The top of the existing chimney should be sealed with a metal plate after the pellet vent has been installed.

DETERMINING EQUIVALENT PIPE LENGTH

To determine whether a 3" or 4" exhaust system is required for your installation (freestanding or insert), review the sample installation below. Fill out the top chart, and calculate your total equivalent pipe length. After you have the total equivalent pipe length, use the chart at the bottom of the page to determine if your installation requires 3" or 4" exhaust pipe.

Type of Pipe	# of Elbows or Feet of pipe.		Equivalent Feet	Total Equivalent Feet
90° Elbows		x	5	
45° Elbows		x	3	
Horizontal Pipe		x	1	
Vertical Pipe		x	.5	

- A - 90 Deg. Elbow
- B - 1' Horizontal Pipe
- C - 45 Deg. Elbow
- D - 8' Vertical Pipe
- E - 2' Horizontal Pipe
- F - 90 Deg. Tee

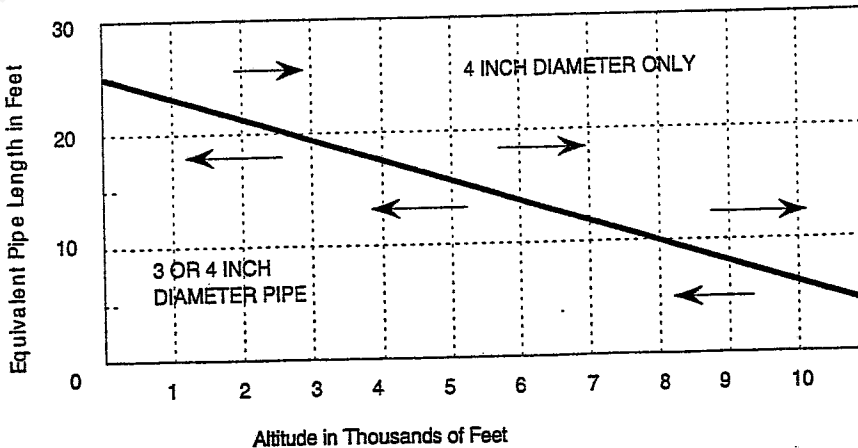


Sample Installation Chart

Type of Pipe	# of Elbows or Feet of pipe.		Equivalent Feet	Total Equivalent Feet
90° Elbows/Tee (A & F)	2	x	5	10
45° Elbows (C)	1	x	3	3
Horizontal Pipe (B&E)	3	x	1	3
Vertical Pipe (D)	8	x	.5	4

Total: 20

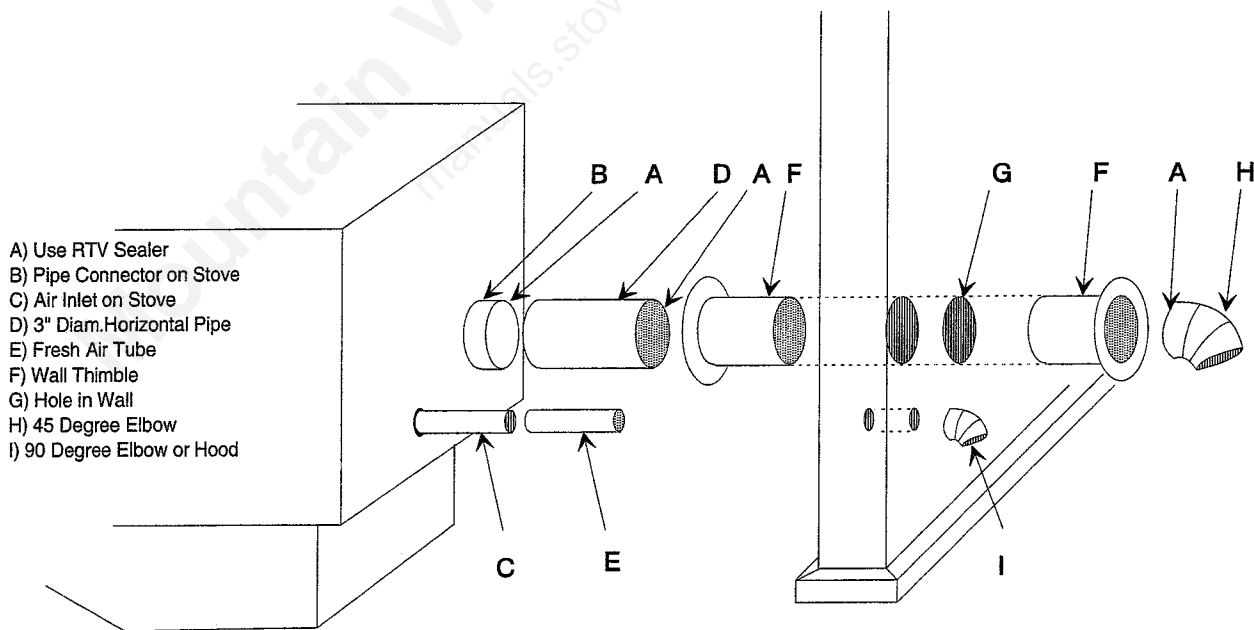
Pipe Selection Chart

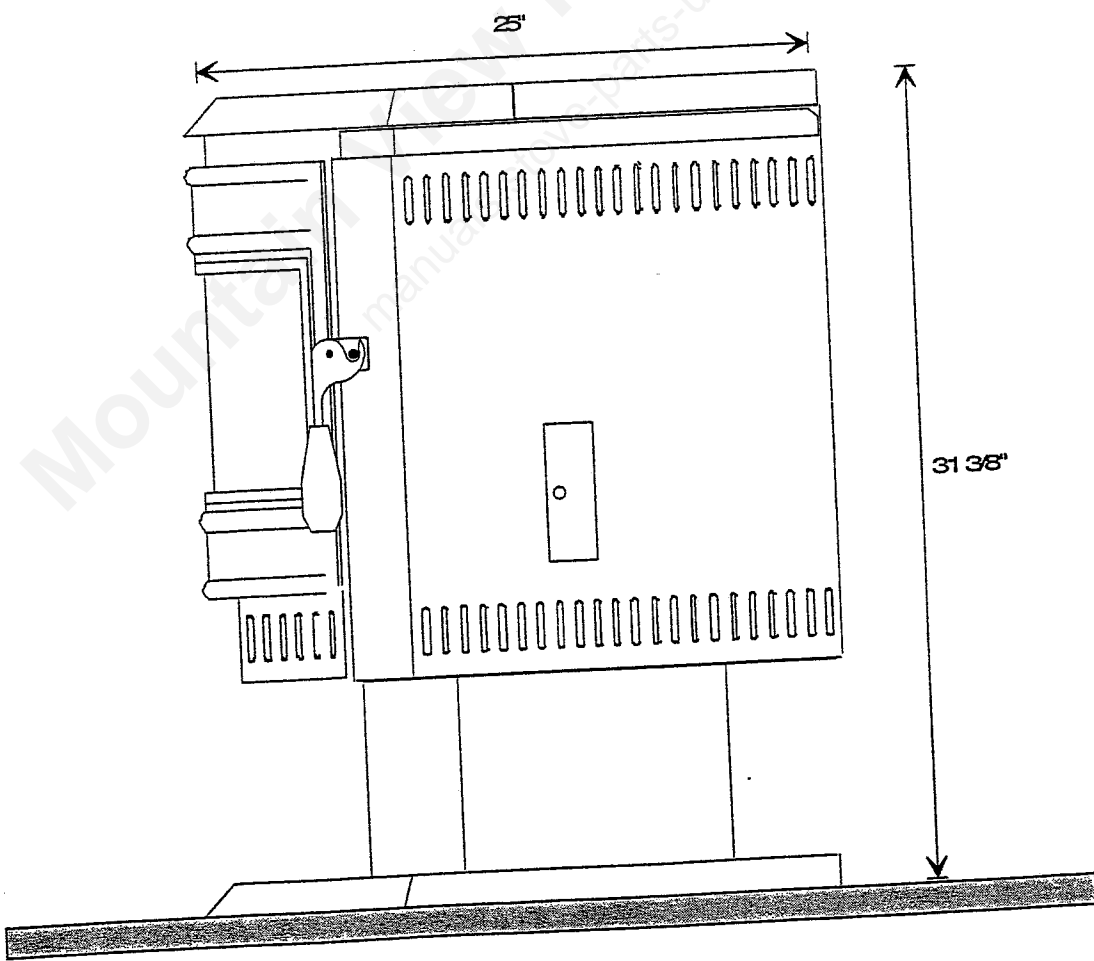
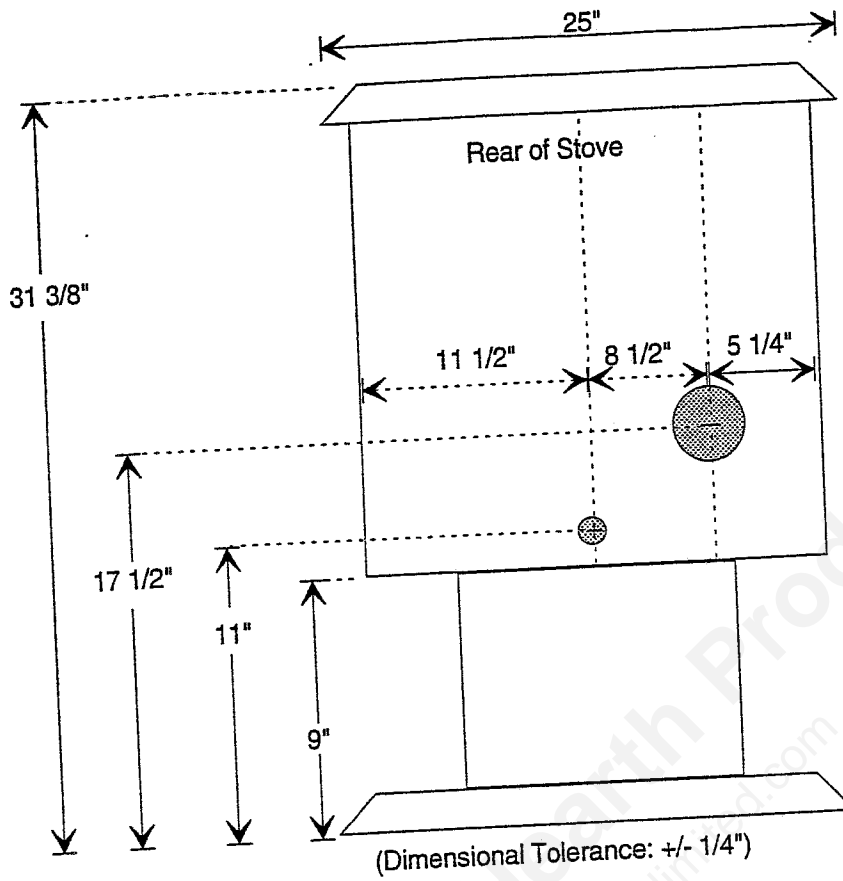


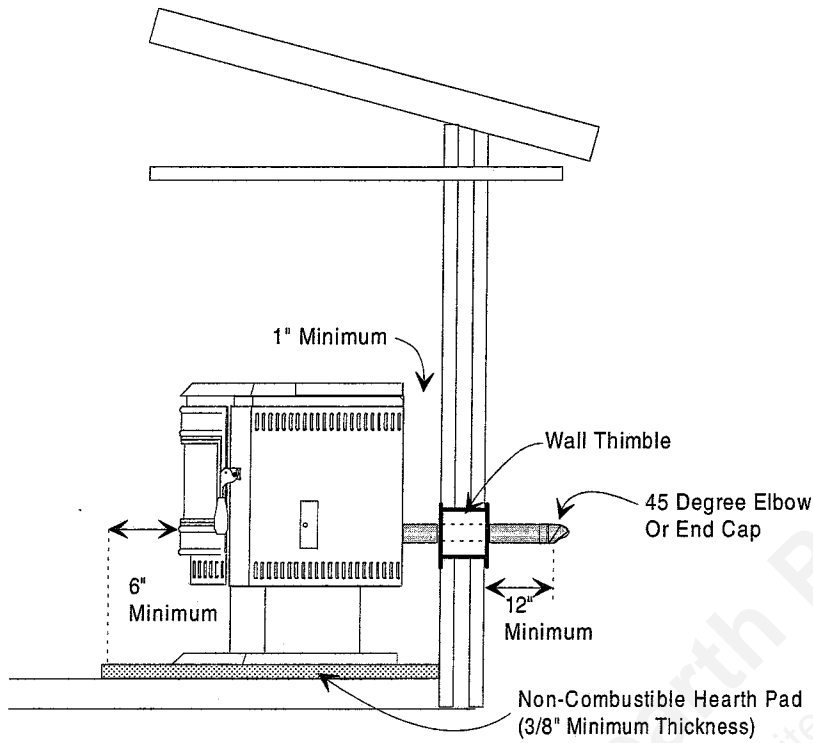
INSTALLING YOUR FREESTANDING PELLET STOVE

STANDARD HORIZONTAL EXHAUST INSTALLATION

1. Locate proper position for the type "L" wall thimble (F). Use a saber saw or key hole saw to cut the proper diameter hole through the wall to accommodate the wall thimble. (G) Install the wall thimble in the hole.
2. Position the stove approximately 12" from the wall on the floor pad. Push type "L" pipe (D) through wall thimble (F). Squeeze a bead of high temperature silicone (RTV) sealer (A) around the end of the machined portion of the 3" pipe connector on the back of the stove (B). Firmly push on a section of type "L" pipe (D) until inner pipe liner pushes into the bead of RTV sealer.
3. Push the stove (with pipe attached) towards wall. Pipe (D) will go through the wall thimble (F). Position stove no closer than 1" to the wall.
4. Install type "L" 45 degree elbow (H) with rodent screen cap (optional) on outside end of pipe. NOTE: The end of the exhaust pipe must extend a minimum of 12" from the outside of the building. Rodent screen should not be less than 3/8" in mesh.
5. If installing with combustion air from outside; cut a separate hole through the wall for the fresh air tube (E). This tube must be 1 5/8" (min.) diameter, steel only. Connect outside air pipe to air inlet on stove (C). This tube must be terminated with a 90 degree elbow or hood. Air may also be drawn from the crawl space under the home.







Minimum 12" Distance Between Exhaust and Fresh Air Intake

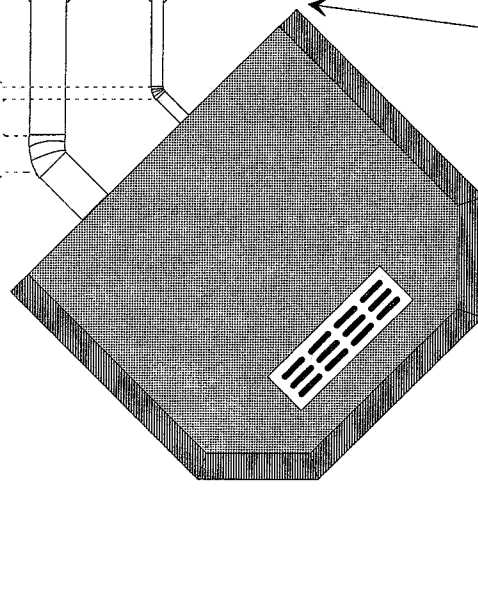
Optional Exhaust and Fresh Air Intake Direction

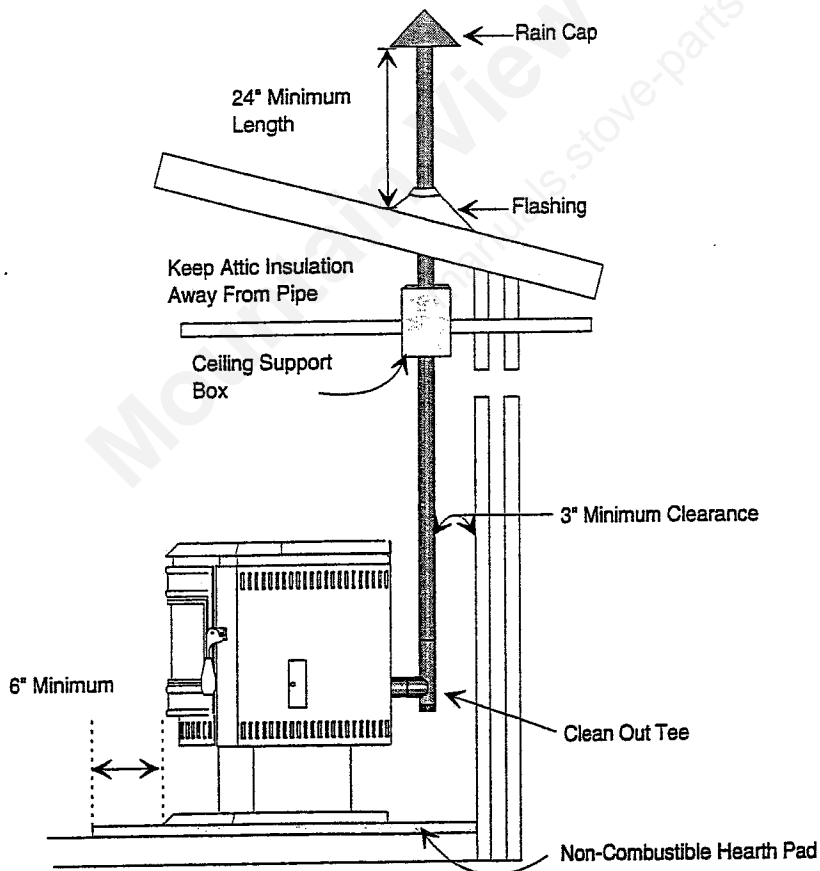
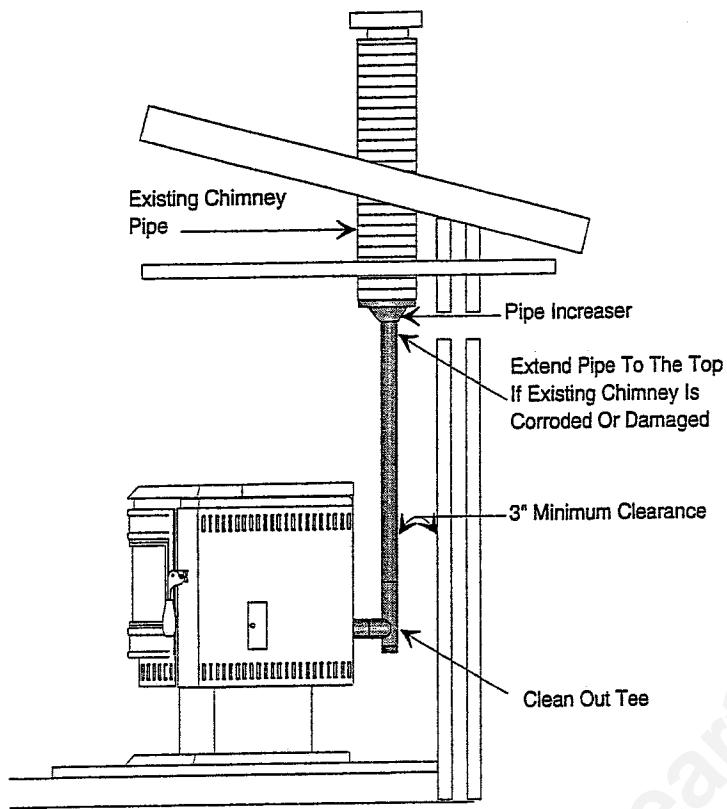
45 Degree Elbow

Type "PL" Vent Exhaust

Fresh Air Intake (Optional)

1" Minimum to Combustibles

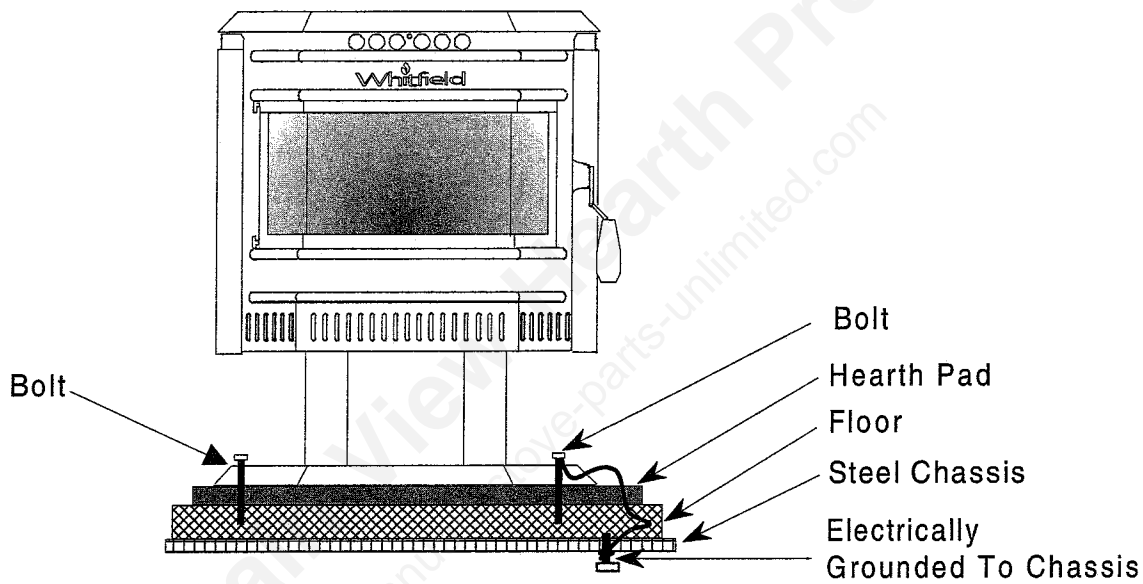




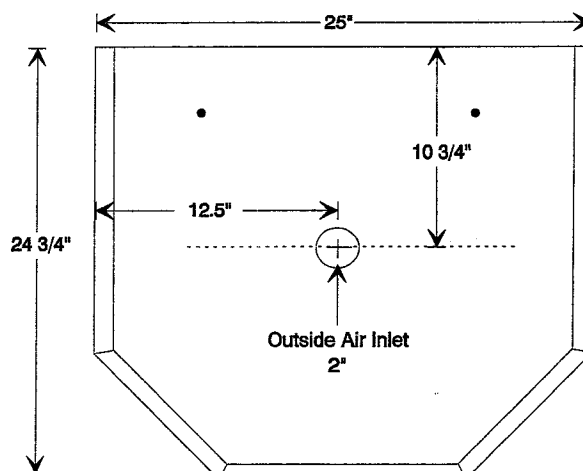
MOBILE HOME INSTALLATION

IN ADDITION TO THE STANDARD INSTALLATION INSTRUCTIONS, THE FOLLOWING INSTRUCTIONS MAY BE REQUIRED BY LOCAL, STATE OR FEDERAL BUILDING CODES:

- Stove must be permanently bolted to the floor.
- Stove must have a permanent outside air source.
- Stove must be permanently electrically grounded to the steel chassis of the home.
- **WARNING:** *Do not install in a space used as a bedroom.*
- **CAUTION:** *The structural integrity of the manufactured home floor, wall and ceiling/roof must be maintained.*



Pedestal Air Inlet



(Dimensional Tolerance: +/- 1/4")

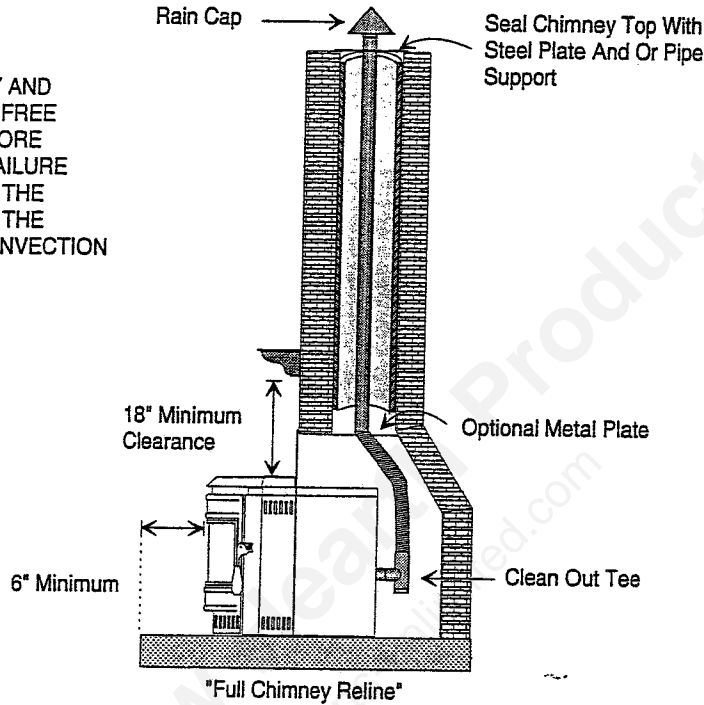
INSTALLING YOUR INSERT PELLET STOVE

VENTING INTO AN EXISTING CHIMNEY

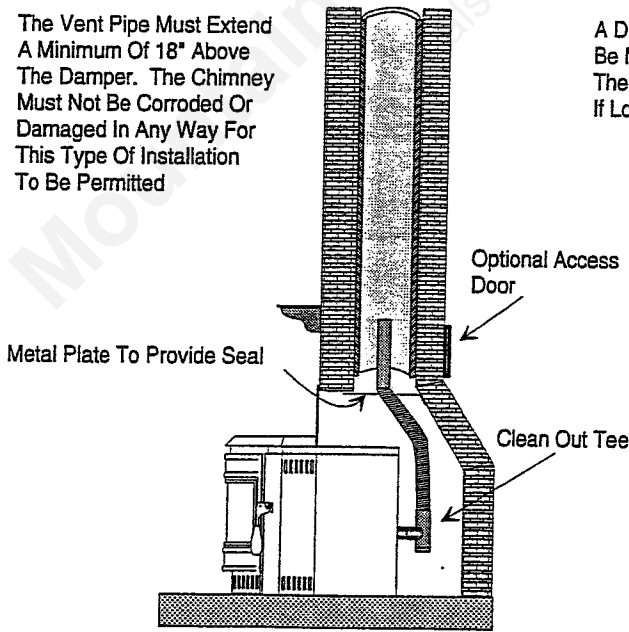
The Advantage insert may be installed in a masonry or factory built fireplace as shown below. When installing into a masonry chimney, it is recommended that the exhaust vent be extended to the top of the chimney as shown below. However, if the vent pipe does not extend to the top of the chimney, the pipe must extend a minimum of 18" above the damper. You must seal the damper area with a steel plate.

IMPORTANT NOTE !!

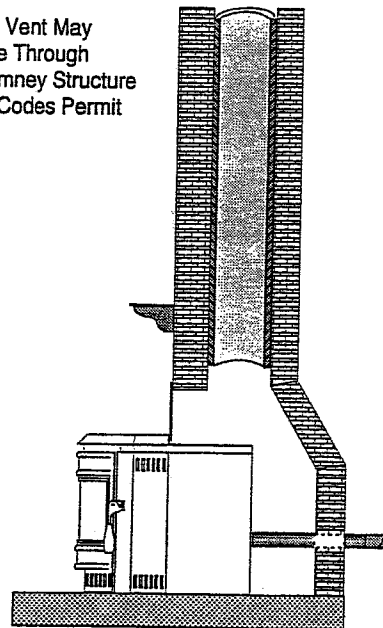
MAKE SURE THE CHIMNEY AND FIREBOX ARE CLEAN AND FREE OF SOOT AND ASHES BEFORE INSTALLATION BEGINS. FAILURE TO DO SO MAY RESULT IN THE TRANSFER OF SOOT INTO THE ROOM BY WAY OF THE CONVECTION FAN.



The Vent Pipe Must Extend A Minimum Of 18" Above The Damper. The Chimney Must Not Be Corroded Or Damaged In Any Way For This Type Of Installation To Be Permitted

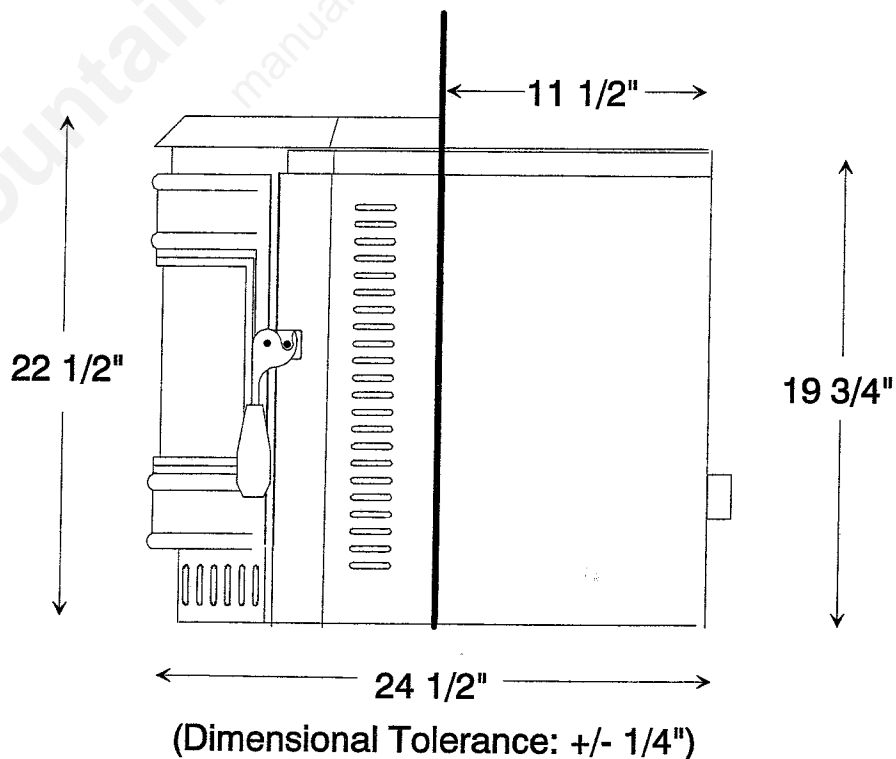
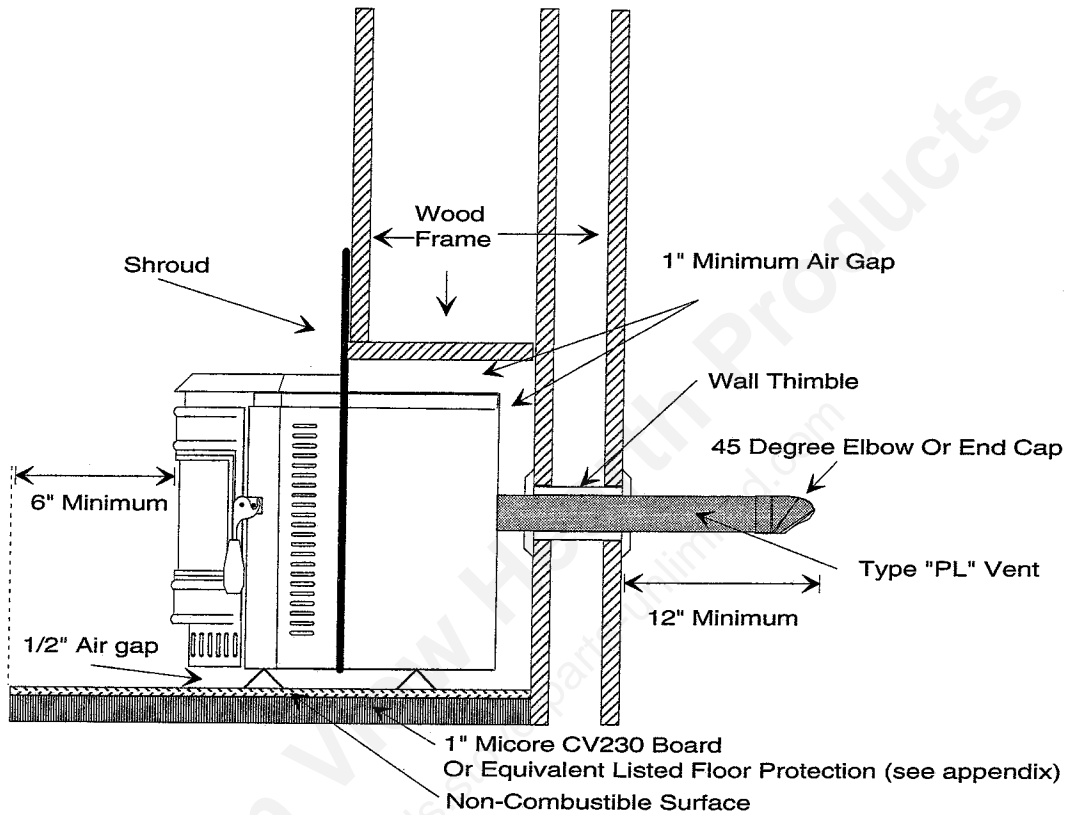


A Direct Vent May Be Made Through The Chimney Structure If Local Codes Permit



BUILT IN HEATER INSTALLATION

The Advantage Insert may be framed directly into an wall. The inside dimension of the framed opening should be 27 1/2" high by 39 3/4" wide by 24" deep. The exhaust installations are the same as for the freestanding stove. Refer to "Installing your Freestanding Stove" for information about installing and hooking up the exhaust.



THERMOSTAT INSTALLATION/CONTROL PANEL REMOVAL

UNPLUG STOVE BEFORE PERFORMING ANY MAINTENANCE WORK.

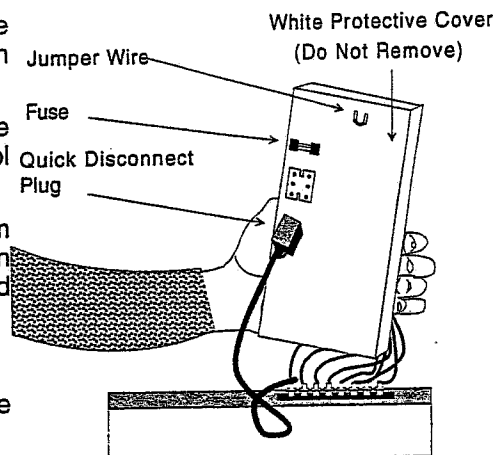
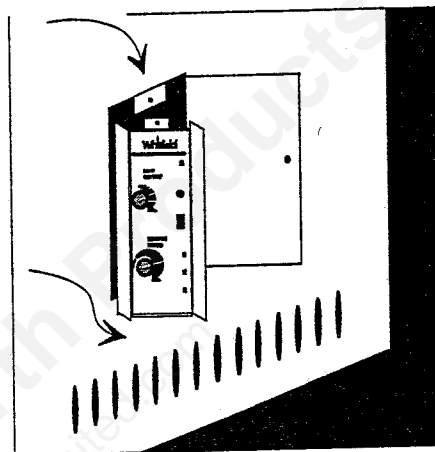
The electronic control board is mounted to an aluminum bracket for easy installation into the stove side panel or shroud using a single fastener. The control board can be removed or replaced without removing the shroud or the side panel.

The control cable is fitted with a quick-disconnect plug that plugs into the back of the control board. If the thermostat option is used, its two low voltage wires should be inserted through the grommet located at the back of the stove (freestanding) and connected to the back of the control board (after removing the red jumper wire provided on the thermostat terminals). The blower and motor wires attach directly to quick disconnects on the terminal block as indicated below. Do not remove the protective plastic cover from the rear of the control board.

To install a wall thermostat:

1. Unplug your stove from the wall outlet.
2. Locate the screw at the top of the control panel, and with a screwdriver, remove the screw.
3. Tilt the control panel forward from the top, and remove it by slowly pulling it toward you.
4. If you need to completely remove the control panel, you will notice that a quick disconnect plug is used to connect all the wires to the control panel. Squeeze together the two clips, then carefully disconnect the plug.
5. Carefully remove the jumper wire by pulling at the base of the spade connectors. Do not remove the jumper wire by pulling on the wire itself. Needle nose pliers may be used if necessary.
6. Crimp two 1/4" female spade quick-connect connectors to the control wires from your thermostat. Install the thermostat control wires onto the male spade plugs on the control board.
7. To install your control panel, simply place the tab at the bottom of the control panel into the slot at the bottom of the opening in your shroud or side panel, press down lightly, and tip the board into place. Replace the screw at the top of the control panel.
8. Plug the stove into your wall outlet.
9. Review the Operating Instructions before operating your stove for the first time with a thermostat control.

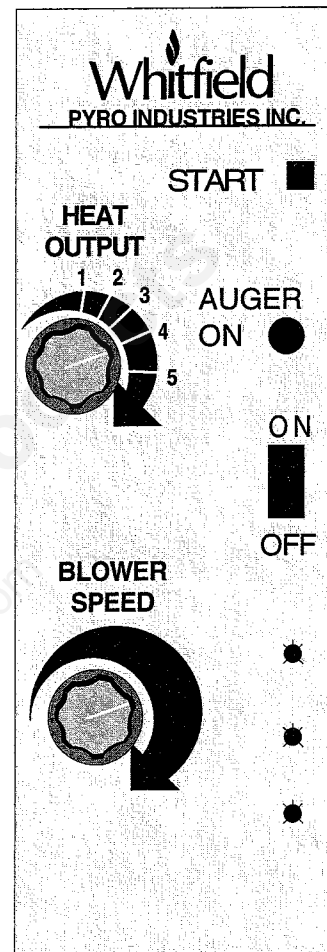
NOTE !! Solid State Thermostats are not approved for use with the Advantage pellet stove. Consult your authorized dealer.



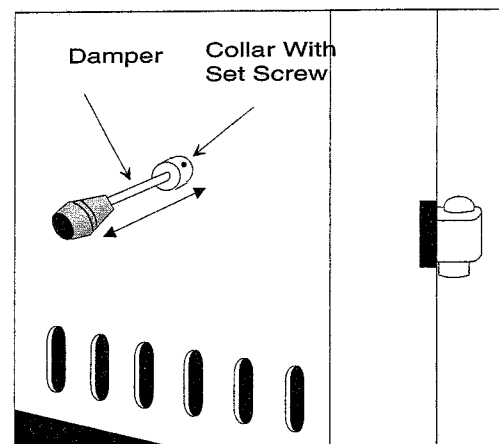
NOTE: When handling the control board, be careful not to touch any of the components on the back of the control board!

STOVE OPERATING CONTROLS

- Start Switch - The push-button START switch activates the convection blower and the combustion blower. If the exhaust does not reach operating temperature within 30 minutes, the stove will automatically shut down. The blowers can be restarted by pushing the START switch again.
- On/Off Switch - The On/Off switch activates the fuel feed (auger) motor only. The start switch has to be activated to give power to the On/Off switch. When the On/Off switch is turned off, the fuel feed will stop and the blowers will continue to operate until the stove has cooled down sufficiently (up to 45 minutes); then the stove blowers will automatically turn off.
- HEAT OUTPUT - When on manual operation, the heat output switch provides the ability to burn at five burn rates. The heat output switch alters the fuel feed rate and the combustion air supply simultaneously. The control is preset to provide the optimum ratio of fuel and air at each setting.
- While on thermostat operation, the stove operates under two settings. There is a "pilot" (low) setting and a "demand" (high) setting.
- If your thermostat senses the room heat to be higher than your selected temperature, the thermostat will set the stove to the "pilot" or low setting. This is equivalent to physically setting the stove on HEAT OUTPUT setting #1. If your room temperature is lower than the selected thermostat temperature, the thermostat will operate the stove at the HEAT OUTPUT switch setting you have manually selected. Use a HEAT OUTPUT switch setting from #2 through #5.
- Auger 'On' Light - The red light on the control panel indicates when there is power to the auger motor. Under normal operation, this light will blink on and off.
- Blower Speed - The lower knob on the control panel controls the speed of the convection fan. Turning up the fan will increase the amount of heat into the room. **THE CONVECTION BLOWER SPEED MUST BE AT MAXIMUM when the HEAT OUTPUT selector is on position #5.**
- Damper Control - The "push-pull" rod located on the lower left-hand side of the stove will NOT need to be manually adjusted every time you turn the fuel feed rate up or down. However, the damper is in place to allow the air-to-fuel ratio to be "fine-tuned" after the stove is installed. Once the damper has been correctly adjusted to allow the proper amount of air into the combustion chamber at all burn rates, push the collar against the side panel of the stove and tighten the set screw so that the damper cannot be pushed in any further. The proper air settings will vary from stove to stove due to installation, altitude, and fuel being burned. If your flame is smoky red/orange with evidence of soot at the top of the flame, you need more combustion air; pull the damper out until the flame begins to 'dance'. If the flame is 'short' at the higher burn rates or if the pellets are burning up in the grate before new pellets are fed into the fire, push the damper further in. The damper will need to be adjusted out slightly when switching from a premium grade pellet to a standard grade or higher ash pellet.
- CONTACT YOUR NEAREST WHITFIELD DEALER FOR MORE INFORMATION IF NEEDED.



Control Panel



OPERATING INSTRUCTIONS

PRE-LIGHTING INSTRUCTIONS

When lighting your Whitfield Stove for the first time, the auger feed tube must be primed with pellets.

To prime the auger feed tube:

1. Fill the hopper with recommended pellet fuel and plug the stove into the wall outlet.
2. Press the start switch on the control panel. This will activate both blowers. Turn the ON/OFF switch on the control panel to the 'ON' position. This will activate the auger motor. Next, turn the heat output switch to position #5 (maximum feed rate).
3. Look through the combustion chamber door and when you see the first pellets dropping into the grate the auger is then fully primed. It will take 10 to 15 minutes to prime the auger.
4. Once the auger is primed, unplug the stove to turn off the blowers and auger for a minimum of 30 seconds. You need only do this when priming the auger. Once the stove is shut down, plug it into the wall outlet again.

STARTING YOUR WHITFIELD PELLET STOVE

1. Place a recommended fire starter (see your dealer for appropriate fire starter in your area) in the burn grate and put a handful of pellets on top of the starter. **DO NOT USE FLAMMABLE LIQUIDS TO START YOUR STOVE.**
2. Light the fire starter in the grate with a match and close the door. Turn the heat output selector switch to position 3.
3. After approximately 10 seconds, press the START SWITCH. You will notice that the fire will become active and there will be air coming from the heat exchanger tubes.
4. After the pellets in the grate are burning sufficiently (red hot coals), slide the ON/OFF switch to the "ON" position: this will activate the auger motor, and pellets will begin to feed into the burn grate. Your blower motors will continue to operate.
6. After the pellets are burning well, adjust the HEAT OUTPUT selector to the desired setting. Combustion air and the pellet fuel feed rate will adjust automatically as the HEAT OUTPUT selector switch is turned. The flame should be bright yellow in color and there should be no evidence of soot formation at the top of the flame. Adjust the blower speed control knob to increase or decrease the desired amount of convection air from your stove.

If operating your stove with a wall thermostat, adjust the heat output selector switch to the desired demand mode (#2 through #5 on the heat output selector switch). Next, adjust the wall mounted thermostat to the desired heat and your stove will automatically switch itself between a demand mode and a pilot mode.

GENERAL OPERATING CONSIDERATIONS

PROPER BURN CHARACTERISTICS: Your flame should be bright yellow under normal operation. If your flame becomes reddish/orange, your stove probably needs routine maintenance. Excessive amounts of fly-ash build-up in the grate, clinkers in the grate, or leakage of air if the grate is not properly seated will starve the fire for air. (See **ROUTINE MAINTENANCE** for information on cleaning the stove). If the problem persists review the trouble-shooting section at the end of this manual.

PELLET FEED: The pellet feed system is designed to handle a wide range of pellet sizes. Different pellets can feed at considerably different rates. If the stove will not stay alight at the minimum fuel feed setting, those particular pellets may not be feeding fast enough. If this happens, adjust the damper rod (on the side of the stove) in or out to achieve a proper burn.

PELLET SIZE: You may notice a difference in the burn if you change pellet fuel sizes. The bigger the pellet, the slower it will feed and vice versa.

LONG BURN TIME: The stove may be safely operated on a continuous basis, but it is recommended that it be turned down overnight or when the room is vacated for long periods of time. A 40 lb. bag of pellets should last approximately 10 hours on high and 35 hours (or more) on low, depending on the type and size of pellets you are burning.

AUTOMATIC SAFETY FEATURES

Power Outage

During a power outage, the stove will shut down safely. It will not automatically restart when the power is restored unless the exhaust is still up to temperature. A small amount of smoke may leak from the top of the window glass, the hopper and from the combustion air intake. This will not persist for more than 3 to 5 minutes and will not be a safety hazard.

To re-light the stove, follow the normal procedure for starting your stove.

NOTE: If you are installing this pellet stove in an area that is prone to frequent power outages, it is recommended that there be a minimum of 3' (Feet) of vertical vent pipe included in the installation to induce a natural draft in the event of a power failure.

Overheating

A high temperature switch will automatically shut down the stove if it overheats. The stove will need to be manually re-lit. Allow 45 minutes before re-lighting.

TURNING OFF YOUR WHITFIELD PELLET STOVE:

Turn the On/Off Switch to the "OFF" position. This will turn the auger motor off and pellets will stop feeding. Both blowers will continue to operate for a period of time (up to 45 minutes) until the exhaust temperature cools sufficiently. The blowers will automatically turn off at that point.

Mountain View Hearth Products
manuals.stove-parts-unlimited.com

ROUTINE CLEANING

NOTE: STOVE WILL NEED TO BE SHUT OFF AND COOLED ENOUGH TO HANDLE BEFORE ROUTINE CLEANING IS PERFORMED.
ALWAYS DISCONNECT POWER BEFORE DOING ANY ROUTINE CLEANING.

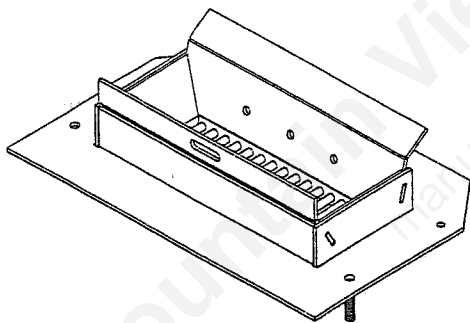
The amount of fly ash build-up in your stove is directly proportional to the ash content of the fuel that you are using (see **PELLETS**, page 6). After a period of time (a week, or so) inspect the heat exchanger tubes, the burn grate, and the ash traps behind the fire brick. You will want to gauge your routine maintenance accordingly.

THE FOLLOWING AREAS NEED TO BE INSPECTED DURING ROUTINE CLEANING:

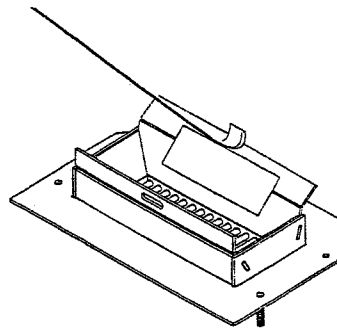
- Burn Grate
- Heat Exchanger Tubes
- Ash Pan
- Ash Traps and Baffles

Burn Grate: The burn grate should be inspected periodically to assure that the air holes have not become clogged with ash or clinkers. The burn grate can easily be cleaned with the grate scraper/ash pan tool, or it can be removed for cleaning. It is very important to monitor the ash build up under the burn grate, as excessive build up may starve the fire of combustion air. When burning "Standard" grade pellets, it will be necessary to clean the ash pan more often than when burning "Premium" grade pellets.

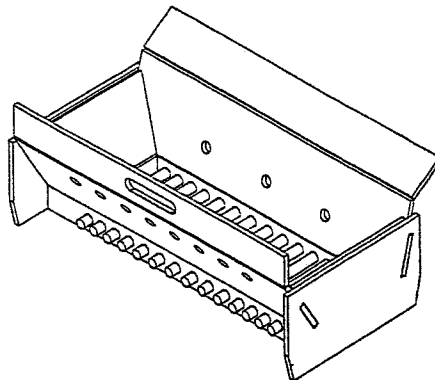
Burn Grate Installed



Clean With Grate/Scraper Tool



Burn Grate Removed

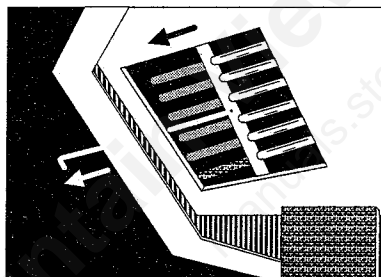


Heat Exchanger Tubes: A rod located above the combustion chamber door is used for cleaning the tubes. By pulling this rod in and out a few times, you will clean the fly ash off the heat exchanger tubes. If your stove was recently turned off, the rod may still be hot. **Handy Hint:** you may want to wrap a damp cloth around the rod when you clean the tubes. This will prevent fly ash from being drawn into your house from the pulling action of the rod.

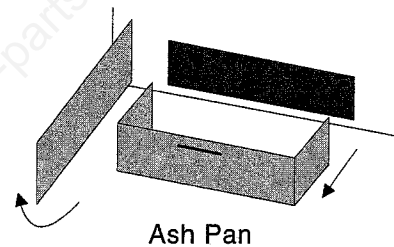
Ash Pan: The ash pan will have to be emptied whenever necessary. First, remove the ash pan trim piece located below the door. Grasp the knob located on the ash pan door and swing the door open. Then, using the ash pan/grate scraper tool, lift the grate out and sweep the top ash into the pan, below. Then, remove the ash pan with the tool. Be sure to gently dump the ashes into a non-combustible container. When finished, slide the ash pan back into the stove and close the ash pan door and replace the ash pan trim piece.

Cleaning of Ash Trap Baffles: Access to the ash trap baffles (behind the two side firebricks) is obtained by loosening the screws that hold the "Brick Retention Plates" in place and lifting the clips away from the stove. After the clips have been removed, remove each side brick first, then the center firebrick. Thoroughly clean out areas where ash has collected behind the firebrick. The amount of time between cleanings will be directly related to the ash content of the pellet fuel being burned. Excessive ash build up in the baffle area behind the brick panels will restrict the exhaust passages and cause less combustion air to enter the firebox and which can lead to poor performance and a "dirty burn".

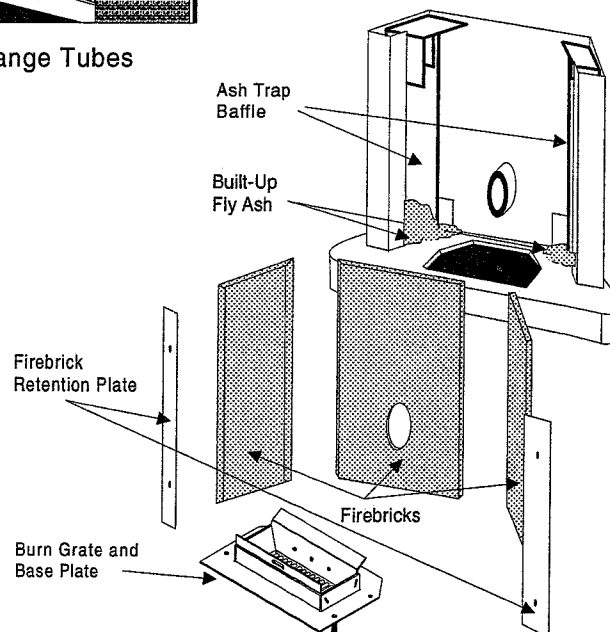
Handy Hint: After the first 10-20 bags of fuel, you may want to remove the firebrick and determine the rate at which the fly ash is building build up within the stove. Contact your dealer for more information should you have any questions regarding this procedure..



Heat Exchange Tubes



Ash Pan



ROUTINE MAINTENANCE

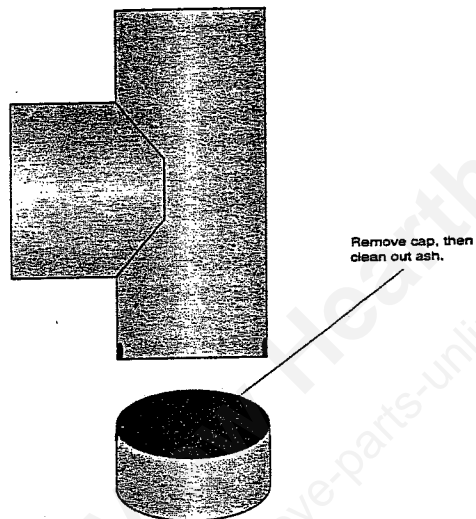
The following areas need to be inspected as part of routine maintenance:

Door Rope Gasket: The condition of the rope gasket around the door and windows should be checked periodically and replaced or repaired if necessary.

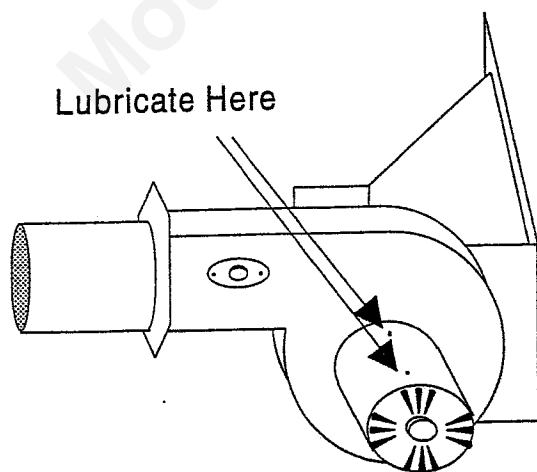
Exhaust Vent: Inspect frequently and clean when necessary. Fly ash will accumulate at all bends in the exhaust system. Large amounts of fly ash will starve the fire for air.

Motor Lubrication: The two blower motors require lubrication annually with not more than two drops of high temperature turbine oil (available from your dealer) at the lubrication points shown below.

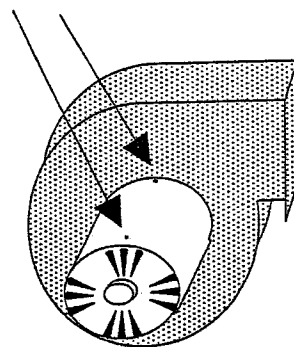
Clean Out Exhaust



Combustion And Convection Blowers



Lubricate Here



APPENDIX A TROUBLE-SHOOTING

UNPLUG STOVE BEFORE PERFORMING ANY MAINTENANCE WORK

PROBLEM	CAUSE(S)	SOLUTIONS
<p>Fire burns with a lazy orange flame. Pellets build up in the grate and the window gets sooted up.</p>	<p>There is insufficient combustion air.</p>	<p>Remove any clinkers or ash from the bottom of the grate that might be obstructing the primary air holes). Change to a better grade of fuel if necessary .</p> <p>Check that the damper is open sufficiently (pulled out).</p> <p>Check that the heat exchange tubes are not clogged with ash.</p> <p>Clean ash traps baffles.</p> <p>Check ash build up behind the side firebricks. Clean if necessary .</p> <p>Check gasket seal around the door. Use a thin strip of paper, 1 in. wide. Open the door and close it on the paper strip. A slight friction should be felt when the paper strip is pulled. Repeat this process at various locations around the door gasket. A small adjustment may be required to ensure a good seal. Replace the door gasket if necessary</p> <p>Check that the ash pan is latched in the correct position and check the gasket seal around the ash pan door in the same manner as above. Replace the ash pan door gasket if necessary.</p> <p>Check for blockage in the air inlet tube or exhaust pipe. Clean as necessary.</p> <p>Have your Whitfield dealer check your combustion blower settings.</p>
	<p>Fuel feed rate is too high.</p>	<p>Have your certified Whitfield dealer adjust the fuel feed rate on the control panel.</p>

APPENDIX A TROUBLE-SHOOTING (CONT'D)

PROBLEM	CAUSE(S)	SOLUTION
Fire goes out or stove shuts down automatically.	The hopper is empty.	Refill hopper.
	Pellets are not feeding.	See "Pellets will not feed" below.
	The high limit temperature switch has tripped.	Allow stove to cool for 1 hour and re-light. If the stove has been operating at a medium to high burn rate, and the convection fan has been turned down low, then the fan should be turned up higher. If this problem persists (particularly at lower burn rates) then the high limit snap switch should be replaced by your certified Whitfield dealer.
	The combustion air setting is too high.	Adjust damper in to reduce combustion air flow.
	The fuel feed rate is too low.	Have your certified Whitfield dealer adjust the fuel control.
Pellets will not feed.	The hopper is empty.	Refill hopper.
	The auger motor, circuit board, air inlet high limit switch or pressure switch may be defective.	Have your certified Whitfield dealer diagnose the problem and replace any parts if necessary.
Stove runs for 30 minutes then shuts down.	The exhaust gas is not up to temperature.	Press start switch and re-light stove if necessary.
	The low limit snap switch is not operating correctly.	Have your certified Whitfield dealer replace the low limit snap switch.
	The wires to the low limit snap switch are loose or disconnected.	Check wires between the snap switch and the terminal block. Make sure there are good connections between the wires and their terminals.
Blowers will not shut off after the fuel has been switched off and the stove has cooled down.	The low limit snap switch has failed in the closed position.	Have your certified Whitfield dealer replace the low limit snap switch.
Blowers will not operate when the start switch is depressed.	There is no power to the stove.	Check that the stove is plugged in to the wall outlet. Check to see if your circuit breaker has tripped.
	There is no power to the control board.	Check the wire connections between the high limit snap switch and the terminal block.

APPENDIX A TROUBLE-SHOOTING (CONT'D)

PROBLEM	CAUSE(S)	SOLUTION
There is soot or fly ash in the house.	The window is being cleaned when the stove is operating.	Turn down the convection fan or turn off stove before cleaning to prevent dispersion of ash and soot into the room.
	There is leakage at the joints between the combustion fan, exhaust pipe, and "L" vent. This will be evidenced by dust on the impeller of the convection fan, and in the heat exchanger tubes.	Seal up any leaks in the exhaust system with room temperature vulcanizing silicone sealer (RTV).
	For a fireplace insert installation: If the existing fireplace opening was not thoroughly cleaned and painted before the insert was installed, then the convection fan may be picking up the fireplace dust, soot or ash and blowing it into the house.	Pull insert away from fireplace opening. Thoroughly clean the opening and paint the inside of the opening with latex or an inexpensive spray paint to hold down the finer particles of dust.
	The vacuum cleaner is leaking.	Check your vacuum cleaner bag, replace the bag, or don't use a vacuum to clean out soot and fly ash from your stove.

Mountain View Hearth
manuals.stove-parts-unlimited.com

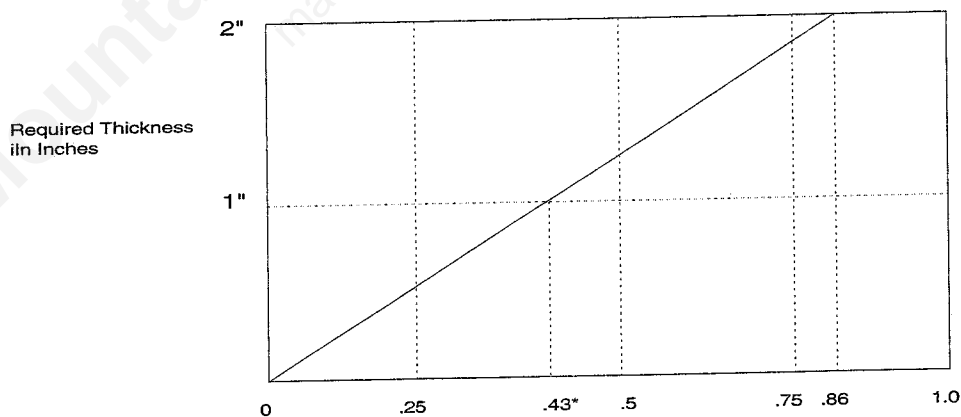
APPENDIX B FLOOR PROTECTION MATERIALS

Material Type	Required Sheets/Layers	K Factor	Minimum Thickness	Actual Thickness
Cement		2.04	4.74	4.75
Den-Shield	6 Sheets of 7/16"	1.1	2.55	2.625
Foam Glass		.34	.79	1.5
Homasote N.C.F.R...	3 Layers of 1/2"	.59	1.32	1.5
Micore CV-230	2 Layers of 1/2"	.43	1	1
Micore CV-300	3 Layers of 3/8"	.458	1.06	1.125
Millboard		.84	1.95	2
Wonderboard	6 Sheets of 7/16"/16"	.98	2.27	2.625

Micore CV-230 is the approved and tested floor protection material. If you need to use a floor protector other than Micore CV-230, see the above chart of equivalent floor protection materials. A K factor is listed for each material type. The minimum thickness is derived from the chart on page 19. When you install a material listed above, the column labeled "Actual Thickness" gives you the actual thickness of the material you will be using when you utilize the required number of sheets or layers of material. All thickness listings are in inches.

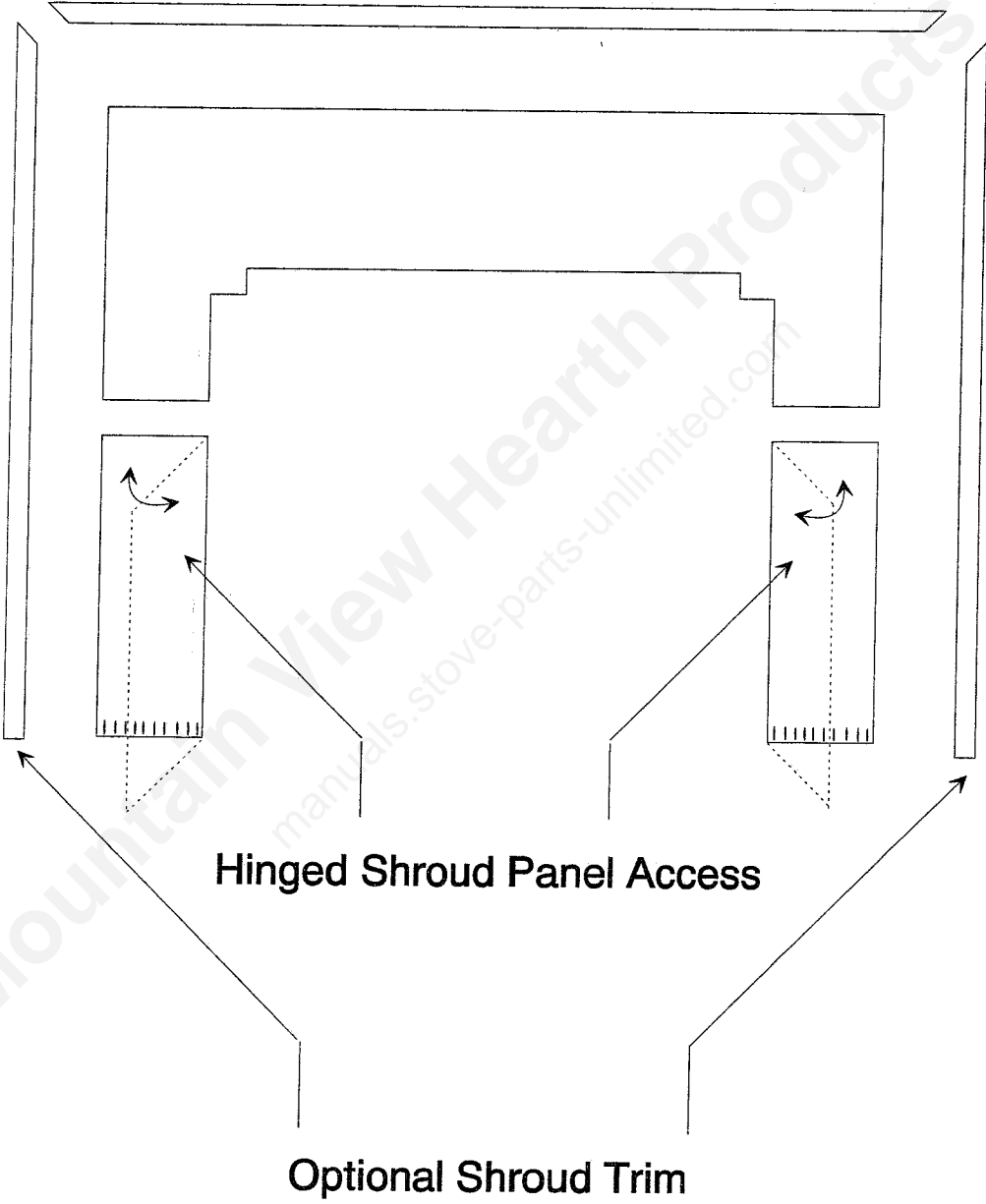
DETERMINING FLOOR PROTECTOR THICKNESS

Match the K-Factor of the floor protector material to the chart below to determine the minimum material thickness needed. If Micore CV-230 (the approved floor protection material) is unavailable, see ABOVE for other floor protection materials and their required thicknesses.



Micore CV 230 Has A (K Factor) Of .43 .

APPENDIX C
SHROUD PANEL ACCESS
(See Installation Instructions In Shroud Box)



APPENDIX D

OPTIONAL ACCESSORIES

- Shrouds and magnetic shroud trim are available in three sizes for your Advantage insert.

Small: 28 1/2 inches(72.4 cm) high by 40 3/4 inches(103.5 cm) wide

Medium: 32 inches(81.3 cm) high by 44 inches(111.75 cm) wide

Large: 36 inches(91.4 cm) high by 48 inches (121.9 cm) wide

- An insert hearth support is available to provide support for the front of the insert. It should be used when the fireplace's hearth extension is lower than the floor of the existing firebox that the insert fits into. The hearth support attaches to the bottom front of the insert stove, and adds by adjustment, 3 1/2 to 9 inches of support height to the front of the unit.
- A gold plated trivet may be used in place of the standard painted trivet.
- Decorative log sets (Driftwood style & Oak style)
- An optional automatic Pellet Igniter System is available. Contact your local Authorized Whitfield Dealer for more information.

APPENDIX E - WARRANTY

WHITFIELD PELLET & GAS LIMITED WARRANTY

Pyro Industries, Inc., the manufacturer of Whitfield Pellet & Gas Stoves, extends to its original customers the following limited warranty on its Products, including stoves and replacement parts. Please read it carefully.

Section 1. Duration and Coverage of Limited Warranty.

Except as provided in Section 2 below, Pyro Industries warrants to the purchaser that the electrical and steel components of its pellet and gas products will be free from defects in material and workmanship for:

Five years from the date of purchase for all stove steel parts (except grates);

Two years from the date of purchase for all pellet and gas stove electrical parts;

One year from the date of purchase for all gas control components, including valves, pilot assemblies, thermocouples and themopiles;

The longer of the unexpired portion of the applicable warranty period or 90 days from the date of replacement, for all Whitfield replacement steel and electrical parts.

If, during the warranty period, a covered electrical or steel component fails to operate properly due to defects in workmanship or materials, Pyro Industries will either, at its option, repair or replace the covered component without charge to the original purchaser for parts or labor. To take advantage of this warranty, the original purchaser must contact a local Whitfield dealer to determine if the warranty applies to the failure of his or her Whitfield product to properly function. The warranty claim procedures are more fully described in Section 3 of this Warranty.

Section 2. Exceptions, Exclusions and Limitations of Warranties and Remedies.

2.1 Residential Use Only. Whitfield Products are for "RESIDENTIAL USE ONLY." No Warranty of any kind, including IMPLIED WARRANTIES OF MERCHANTABILITY OR FITNESS FOR PARTICULAR PURPOSE APPLY TO WHITFIELD PRODUCTS WHICH ARE USED IN OR FOR ANY COMMERCIAL APPLICATION OR PURPOSE. PYRO INDUSTRIES WILL NOT BE LIABLE FOR ANY INCIDENTAL, CONSEQUENTIAL OR OTHER DAMAGES OF ANY KIND RELATED IN ANY WAY TO SUCH USE.

2.2 Items Not Covered. The following are not covered under this warranty or ANY IMPLIED WARRANTIES as further set forth in Subsection 2.4:

APPENDIX F - WARRANTY

THIS WARRANTY IS ISSUED BY PYRO INDUSTRIES, INC. (MANUFACTURER) AND EXTENDS ONLY TO THE ORIGINAL PURCHASER OF THIS PRODUCT.

The Manufacturer provides a five year limited warranty on all steel parts (except the grate), and a 1 year limited warranty on all electrical components. These warranties extend from the date of the original purchase. There is expressly no warranty on the following components: glass window, Fiberglas rope gaskets, firebrick, grate, paint, exterior brass or enamel finish.

This warranty covers defects in materials and workmanship in covered components, provided the product has been installed and operated strictly in accordance with Manufacturer's printed instructions. This warranty does not cover damage or breakage caused by improper handling, misuse or unauthorized modification. Without limiting the foregoing, the use of fuels other than pelletized wood will void all warranties and liabilities.

All claims under this warranty must be made in writing to the Manufacturer at; Pyro Industries, Inc., 695 Pease Road, Burlington WA 98233 and should include the following:

1. Name, address, and telephone number of servicing dealer.
2. Name, address, and telephone number of purchaser.
3. Date of purchase.
4. Model & Serial number of stove.
5. Nature of the defect, malfunction and/or complaint.

Local representatives are to inspect parts and or units. If the inspection indicates that the failure was due to defective material or workmanship in covered components and that the other terms and conditions of this warranty have been complied with, the Manufacturer's sole duty and liability under this warranty shall be limited to the Manufacturer's replacement or repair, at Manufacturer's option, of the defective unit or part. The purchaser shall assume all costs of shipping to and from the Manufacturer and shall be responsible for all losses during shipment if the unit is not defective. If a unit is found to be defective by the Manufacturer, shipping costs will be reimbursed. Removal and reinstallation costs are not covered under this warranty.

NEITHER THE MANUFACTURER, NOR THE SUPPLIER TO THE PURCHASER, ACCEPTS RESPONSIBILITY, LEGAL OR OTHERWISE, FOR INCIDENTAL OR CONSEQUENTIAL DAMAGE TO PROPERTY OF PERSONS RESULTING FROM THE USE OF THIS PRODUCT. ANY WARRANTY IMPLIED BY LAW, INCLUDING BUT NOT LIMITED TO IMPLIED WARRANTIES OF MERCHANTABILITY OR FITNESS, SHALL BE LIMITED TO ONE YEAR FROM THE DATE OF ORIGINAL PURCHASE. WHETHER A CLAIM IS MADE AGAINST THE MANUFACTURER BASED ON A BREACH OF THIS WARRANTY OR ANY OTHER TYPE OF WARRANTY, EXPRESSED OR IMPLIED BY LAW, MANUFACTURER SHALL IN NO EVENT BE LIABLE FOR ANY SPECIAL, INDIRECT, CONSEQUENTIAL OR OTHER DAMAGES OF ANY NATURE WHATSOEVER IN EXCESS OF THE ORIGINAL PURCHASE PRICE OF THIS PRODUCT. ALL WARRANTIES BY MANUFACTURER ARE SET FORTH HEREIN AND NO CLAIM SHALL BE MADE AGAINST MANUFACTURER ON ANY ORAL WARRANTY OR REPRESENTATION.

Some states or countries may not allow the exclusion or limitation of consequential damages, or limitations of implied warranties, so the limitations or exclusions set forth in this warranty may not apply to you.

This warranty gives you specific legal rights and you may also have other rights which vary from different states or countries.

(1) Normal customer maintenance, including yearly maintenance, routine maintenance, lubrication, etc.;

(2) Glass window, grates, fiberglass rope gaskets, ceraboard (firebrick), paint exterior brass and enamel finish;

(3) Installation of the stove in or removal of the stove from the original purchaser's home; or stove or product failure or problems caused by removal or improper or faulty installation of the stove from the original purchaser's home. (for additional information about installation and this disclaimer see page 4 of your Owner/Operator's Manual).

2.3 Conditions and Activites Which Will Invalidate Warranties.

In addition, this warranty and ANY IMPLIED WARRANTIES as further set forth in Subsection 2.4 shall not apply if any of the following occur or result:

(1) Accident, act of god, nature or war, theft, abuse, misuse, negligence or neglect, including improper installation, on the use of other than pelletized wood fuel commercially produced for use in pellet stoves, or any adverse reaction due to incorrect usage or use of substandard grade pelletized wood fuel.

(2) Failure to operate or maintain the stove in accordance with the owner's manual furnished with the Product.

(3) Any alterations or modifications, including those affecting the Product's performance, operation, safety or durability or change in its intended use.

(4) Use of parts or accessories which are not officially approved by Pyro Industries.

(5) Additional damage to parts or components due to continued use occurring after any of the above conditions.

2.4 Limitations and Disclaimers.

REPAIR OR REPLACEMENT AS PROVIDED UNDER THIS WARRANTY IS THE EXCLUSIVE REMEDY OF THE CONSUMER AND PYRO INDUSTRIES SHALL NOT BE LIABLE IN ANY OTHER MANNER FOR ANY INCIDENTAL OR CONSEQUENTIAL DAMAGES OR BREACH OF THIS EXPRESS WARRANTY OR ANY IMPLIED WARRANTY ON THESE PRODUCTS EXCEPT TO THE EXTENT PROHIBITED BY APPLICABLE LAW. ANY AND ALL IMPLIED WARRANTIES OR MERCHANTABILITY OR FITNESS FOR A PARTICULAR PURPOSE ARE LIMITED IN DURATION TO THE WARRANTY PERIODS DESCRIBED IN SECTION 1 AND FURTHER LIMITED AS DESCRIBED IN 2.1 TO 2.3 ABOVE. THERE ARE NO OTHER EXPRESS WARRANTIES EXCEPT AS SET FORTH IN SECTION 1 ABOVE

AND THIS WARRANTY IS EXTENDED IN LIEU OF ALL OTHER EXPRESS WARRANTIES. No agent, representative, dealer or employee of Pyro Industries or anyone else has the authority to increase or alter the obligations of Pyro Industries under these warranties.

Some states do not allow the exclusion or limitation of incidental or consequential damages, or limitation on how long an implied warranty lasts, so the above limitations or exclusions in this Subsection 2.4 may not apply to you. This Warranty gives you specific legal rights and you may also have other rights which vary from state to state.

Section 3. Customer Responsibilities; Warranty Claim Procedure.

3.1 Proper Maintenance and Operation. In addition to completing and forwarding the warranty registration card and making sure the conditions or activities described in Sections 2.1 and 2.3 do not occur, the original purchaser must exhibit reasonable care, maintenance and operation of Pyro Industries' products as explained in the maintenance section of the owner/operator's manual. When in doubt, an authorized Whitfield dealer should be contacted by the original purchaser.

3.2 Warranty Claim Procedure. Should a failure in product operation occur, the product should not be used and an authorized Whitfield dealer should be contacted for service. The following steps will need to be taken:

- (1) The original purchaser will be required to furnish proof of purchase to an authorized Whitfield dealer in order to obtain warranty service. The original selling dealer should be utilized for this purpose. Proof of purchase must include the date purchased, model number, serial number and complete name and address of the selling dealer;
- (2) The authorized Whitfield dealer will then inspect the malfunctioning Whitfield Product. If an inspection indicates that the failure was due to a defect in material or workmanship of a covered component, then Pyro Industries will comply with its warranty obligations described in Section 1;
- (3) The authorized Whitfield dealer will need to complete and furnish a standard warranty claim form to Pyro Industries at 695 Pease Road, Burlington, Washington, 98233. The following information will need to be furnished by the consumer and included on the form: (1) name, address and telephone number of the original purchaser; (2) date of purchase; (3) model and serial number of stove; and (4) nature of defect, malfunction and/or complaint;
- (4) The original purchaser is responsible for all costs of shipping to and from the authorized Whitfield dealer, if the Product is found not to be defective. The original purchaser is responsible for all losses during shipment.

REMOVAL AND INSTALLATION COSTS OF THE STOVE ITSELF, IF ANY, ARE NOT COVERED UNDER THIS WARRANTY;

(5) To obtain the benefit of this warranty and ANY IMPLIED WARRANTIES, the product believed to be defective must be repaired in a timely manner, within (30) days or less from the date of failure, and during the warranty period; and

(6) If warranty work is needed, only an authorized Whitfield dealer may perform the work.

Pyro Industries, Inc.
695 Pease Road
Burlington, WA 98233

Mountain View Hearth Products
manuals.stove-parts-unlimited.com