

INSTALLATION INSTRUCTIONS

OPTIONAL FASTFIRE™ IGNITER KITS
 PART NO. 12040002, IGNITER 1 PACK
 PART NO. 12040003, IGNITER 6 PACK
 FOR MODELS: ADVANTAGE II-T, ADVANTAGE III & PLUS, &
 QUEST PLUS (SER.# 12140+)

KIT CONTENTS:

- 1 ea. Timer Block
- 1 ea. Pigtail Wire Harness, Advantage II-T, III & Plus
- 1 ea. Pigtail Wire Harness, Quest Plus
- 1 ea. Igniter (heating element)
- 1 ea. Outer Cover, Igniter
- 1 ea. Fuse Holder (w/ 6 Amp fuse)
- 1 ea. Instruction Sheet

TOOLS REQUIRED:

- 5/8" End Wrench (all models)
- 7/16" End Wrench (all models except Advantage Plus)

INSTALLATION INSTRUCTIONS:

DO THE FOLLOWING BEFORE BEGINNING:

- UNPLUG POWER CORD AND ENSURE STOVE IS COLD.
- READ ALL THE INSTALLATION STEPS.

- 1) This step is for models Advantage II-T, III & Quest Plus only. For model Advantage Plus, proceed to step 3. Assemble the Fastfire™ probe as follows (refer to Figure 1): Insert the igniter (heating element) into the outer cover and thread hand tight. Then tighten an additional 1/4 to 1/2 turn using a 5/8" end wrench. Note: Some threads will remain visible.

Note: The outer cover is not used on model Advantage Plus.

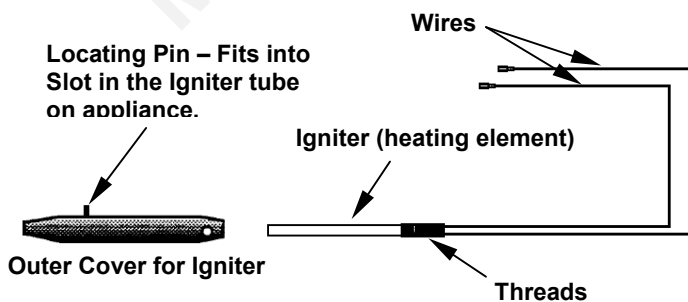


Fig. 1

- 2) This step is for models Advantage II-T, III & Quest Plus only. Refer to Figures 2a and 2b for the following instructions.
 - a. Open the firebox door and remove the firebrick panels (see removal instructions in the owner's manual).
 - b. Lift out the UltraGrate™.
 - c. Using a 7/16" end wrench, remove the base plate.
 - d. Remove the plug from the igniter tube.
 - e. Feed the igniter wires into the igniter tube. Position the locating pin on the outer cover into the slot in the igniter tube.

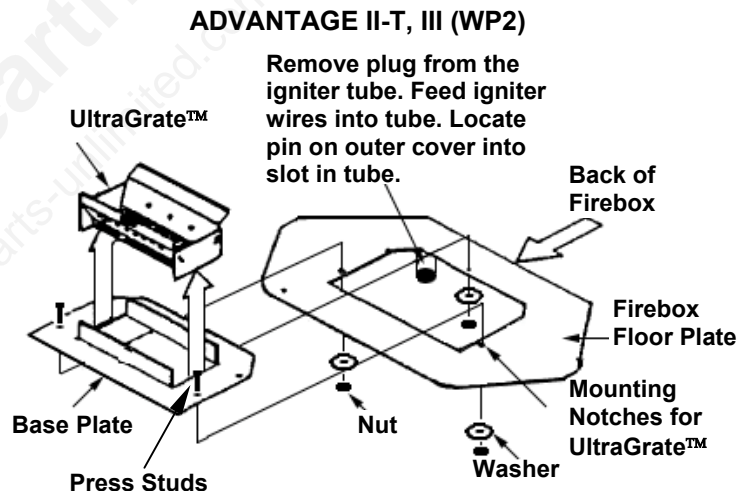


Fig. 2a

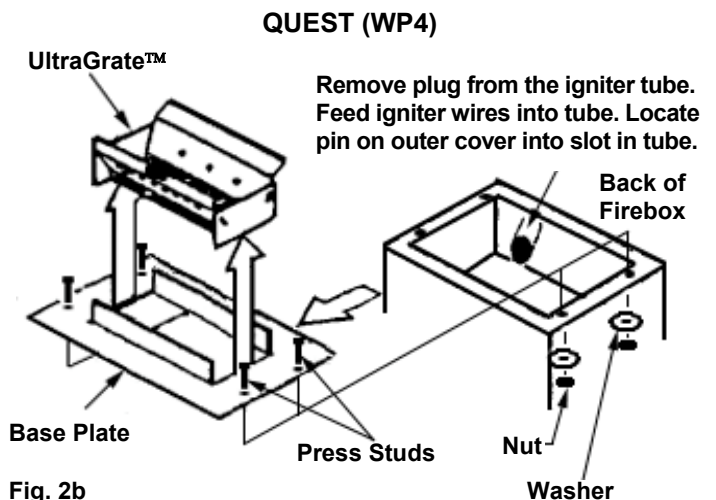


Fig. 2b

- 3) This step is for model Advantage Plus only. For models Advantage II-T, III & Quest Plus, proceed to step 4. Refer to Figure 3 for the following instructions.
- Open the firebox door and lift out the UltraGrate™.
 - Remove the plug from the igniter tube.
 - Install the igniter (heating element) from the rear of the stove by threading it into the backside of the igniter tube (see location of threads on Figure 1). Be careful not to twist the igniter wires while installing.
 - Connect the igniter wires to the timer block as shown in Figure 4.

ADVANTAGE PLUS (WP7)

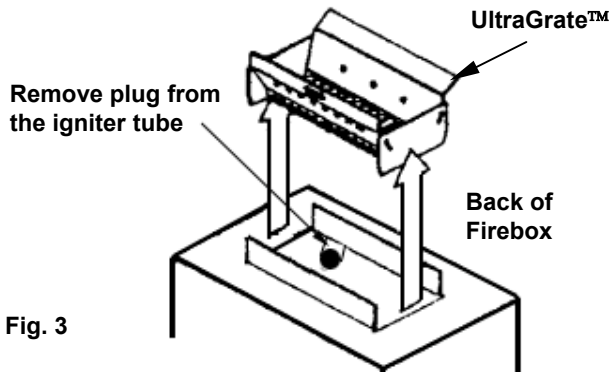


Fig. 3

- 4) This step is for models Advantage II-T, III & Quest Plus only. For model Advantage Plus, proceed to step 5. Refer to Figure 4 for the following instructions.
- Locate the igniter wires from the backside of the igniter tube (from the stove back). To access the igniter mounting tube on the rear firewall, the Room Air Blower will need to be removed (see *Maintenance* section in the Owners Manual for instructions). Note: Blower is mounted by four (4) bolts.
 - Connect the igniter wires to the timer block as shown in Figure 4.

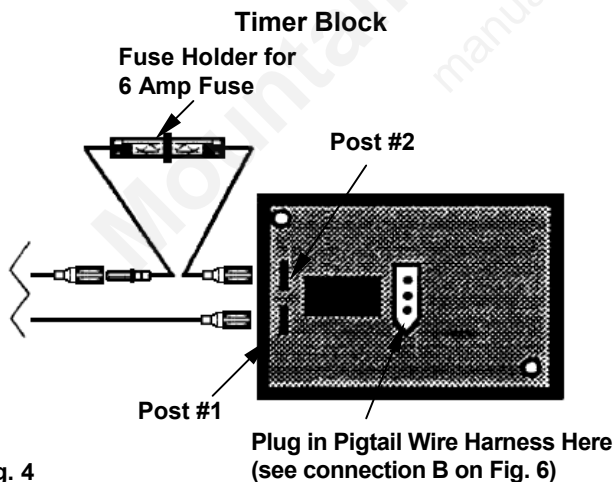


Fig. 4

Note: The safety fuse holder can be connected to either post #1 or #2 of the timer block. It also does not matter which igniter wire is connected to the fuse holder.

- 5) Plug in the Pigtail Wire Harness connections. Refer to Figure 5 for the following instructions. Locate the correct pigtail wire harness for your model stove (the Advantage II-T / 1990-2000, III & Plus have 6 pin connectors and the Quest Plus has the 8 pin connectors).
- Plug connector (A) of the pigtail wire harness into the matching control board connector.
 - Plug connector (B) of the pigtail wire harness into the matching connector on the timer block (see Figure 4).
 - Plug connector (C) into the matching connector on the stove wire harness.

PIGTAIL WIRE HARNESS

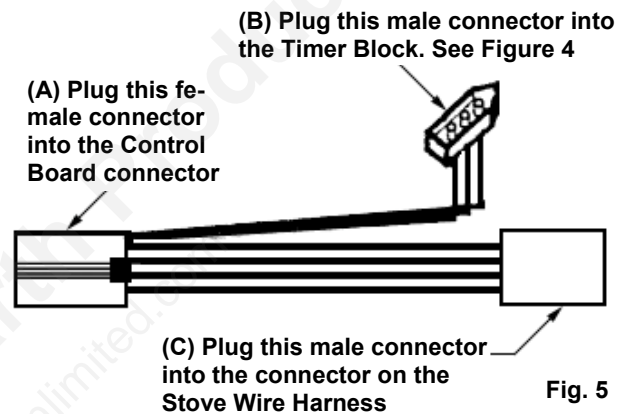


Fig. 5

- 6) Peel the strip off the back of the timer block to expose the adhesive (as shown in Figure 6a). Place the timer block on the base of the stove cabinet with the adhesive side down (as shown in Figure 6b).

Timer Block Adhesive

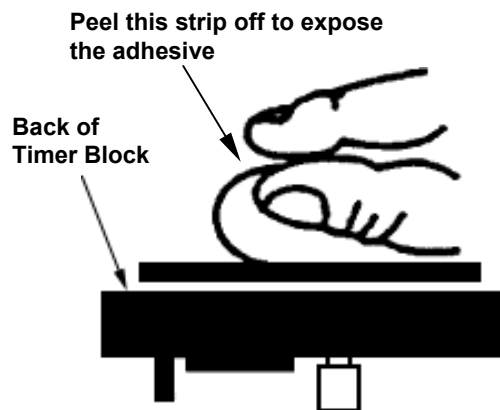


Fig. 6a

6) Continued...

Timer Block Placement

Place timer block on the base of the stove cabinet as shown.

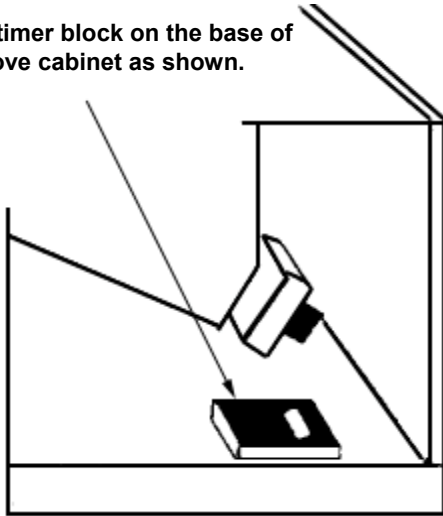


Fig. 6b

- 7) Reassemble Firebox Components (see Figures 1, 2 & 3).
 - a. Reinstall the base plate assembly (not applicable for model Advantage Plus).
 - b. Reinstall the UltraGrate™. and base plate assembly.
 - c. This step is for models Advantage II-T, III & Quest Plus only. Reinstall firebrick panels.

Note: The stove door must be closed to allow the Fast-fire™ igniter to work.