



HEARTH PRODUCTS

HEARTH PRODUCTS  
KITS AND ACCESSORIES

P/N 506033-02  
Rev. A, 05/2009

QUICK DISCONNECT KITS  
MONTAGE™ AND CASCADE™

INSTALLATION INSTRUCTIONS FOR INSTALLING THE THREE  
AND FOUR INCH QUICK DISCONNECT KITS FOR USE WITH  
THE MONTAGE™ AND CASCADE™ PELLET STOVES

ELITE™ SERIES MERIT™ SERIES

KIT CONTENTS (See Figure 1):

Please ensure that all these parts are in the box

- 1 ea. Quick Disconnect - Part "A" (stove side)
- 1 ea. Quick Disconnect - Part "B" (vent side)
- 1 ea. Lytherm Gasket
- 8 ea. #8 x 1/2" TEK Screws
- 5 ea. 1/4-20 Lock Nuts

Quick Disconnect Kits		
Cat. No.	Model	Description
12050093		3" Quick Disconnect Kit, Montage 32FS
14M81	QDPC-4	4" Quick Disconnect Kit, Montage 32FS
14M80	QDPC-3	3" Quick Disconnect Kit, Cascade
12051504		4" Quick Disconnect Kit, Cascade

TOOLS / SUPPLIES NEEDED:

- 7/16" Wrench
- 1/4" Nut Driver
- RTV High Temperature Silicone\*

\* With rating of at least 570° F

GENERAL INFORMATION

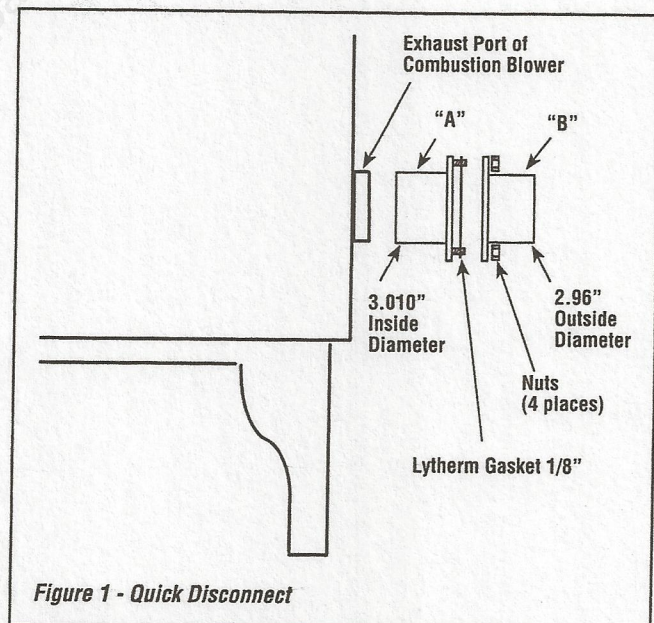
If you encounter any problems, need clarification of these instructions or are not qualified to properly install this kit, contact your local distributor or dealer.

Read this instruction sheet in its entirety before beginning the installation.

ALL WARNINGS AND PRECAUTIONS IN THE INSTALLATION AND OPERATION MANUAL PROVIDED WITH THE APPLIANCE APPLY TO THESE INSTRUCTIONS.

INSTALLATION INSTRUCTIONS  
(refer to Figure 1)

- Step 1. Apply RTV on the outside of the exhaust port of the combustion blower and slip part "A" over the exhaust port.
- Step 2. Using four TEK screws, attach part "A".  
*Note: Ensure that one edge of the flange is horizontal.*
- Step 3. Apply RTV on the outside of part "B" and slip it inside of the PL vent pipe. **NOTE THE POSITION OF THE FLANGE! THE STUDS MUST LINE UP WITH PART "B" FLANGE HOLES.**
- Step 4. Using four TEK screws, attach part "B".
- Step 5. Place the lytherm gasket over the four studs on part "A".
- Step 6. Slide the stove to the PL vent pipe, then fasten the flanges together using the four lock nuts provided.



NOTE: DIAGRAMS AND ILLUSTRATIONS ARE NOT TO SCALE.

Lennox Hearth Products reserves the right to make changes at any time, without notice, in design, materials, specifications, prices and also to discontinue colors, styles and products. Consult your local distributor for fireplace code information.