

# LENNOX® HEARTH PRODUCTS

## INSTALLATION INSTRUCTIONS

REPLACEMENT FASTFIRE™ IGNITER KIT  
 PART NO. 12150213, FOR MODELS: ADVANTAGE OPTIMA  
 SERIES, ADVANTAGE II-T SERIES, ADVANTAGE III & PLUS,  
 T300P SERIES, PROFILE SERIES, & QUEST PLUS (SER.# 12140+)

side panels, open the left side panel for improved ease

of installation.

2) This step is for models Advantage II-T & Quest Plus only. Remove the room air blower - Using a 7/16" end wrench, remove the four (4) mounting bolts for the room air blower (see Maintenance section in Owners Manual for more information on accessing).

3) Locate old igniter / igniter tube - Looking on the back firewall, locate the igniter assembly installed in the igniter tube.

4) Remove old igniter assembly & discard - Unplug the 2 igniter connectors from the old igniter assembly (see Fig. 2). Using a knife or scissors, cut off the old igniter wires as close to the igniter as possible. Next, using a 5/8" deep socket and ratchet, remove the igniter. Discard old igniter.

5) Remove old fuse holder & discard - Unplug the 2 connectors from the old fuse holder (see Fig. 2). Discard old fuse holder.

6) Install new igniter assembly - Insert the new igniter assembly into the igniter tube. Thread in and tighten by hand. Using a 5/8" end wrench, turn the igniter threads an additional 1/2 turn to properly seat (some threads will remain visible).

7) Connect wires - Plug in the new fuse holder and connect the new igniter wires as shown in Figure 2. Reinstall blower (models Advantage II-T & Quest Plus only) and back panel (all models) - Reverse steps 1 and 2.

8) Reinstall blower (models Advantage II-T & Quest Plus only) and back panel (all models) - Reverse steps 1 and 2.

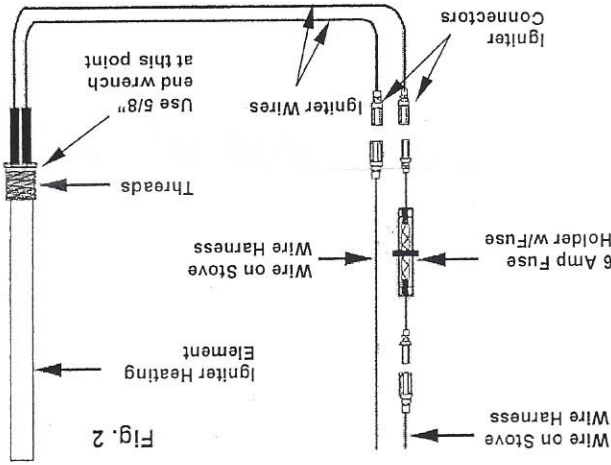


Fig. 2

### KIT CONTENTS:

- 1 ea. Igniter Assembly
- 1 ea. Fuse Holder w/Fuse
- 1 ea. Instruction Sheet

### TOOLS REQUIRED:

- 5/8" Deep Socket and Ratchet
- 7/16" End Wrench (to remove blower mounting bolts for models Quest Plus and Advantage II-T only)
- 1/4" End Wrench
- Scissors or Knife

### INSTALLATION INSTRUCTIONS:

- UNPLUG POWER CORD AND ENSURE STOVE IS COLD
- READ ALL THE INSTALLATION STEPS

The UltraGrate™ does not require removal to install a replacement igniter for the models listed on this instruction sheet, if they have a previously installed igniter assembly. For units listed which left the factory without an igniter preinstalled and also has not had an optional igniter installed, another kit will be required - Order either the Optional Igniter Kit, P/N 1204002 for a 1-Pack or P/N 1204003 for an 6-Pack.

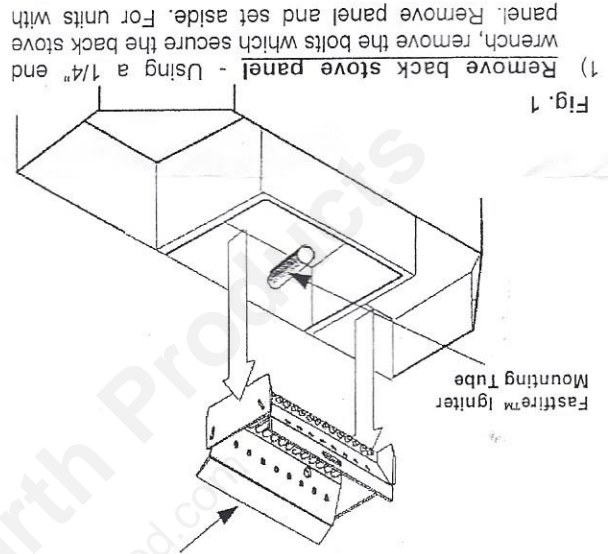


Fig. 1

1) Remove back stove panel - Using a 1/4" end wrench, remove the bolts which secure the back stove panel. Remove panel and set aside. For units with