

Whitfield[®]
Hearth Products

HEARTH TRENDS
INC.
WOOD • GAS • PELLET

TRADITIONS

Traditions & Profile 20/30

PELLET STOVES

OWNERS MANUAL

**INSTALLATION, OPERATION AND
MAINTENANCE INSTRUCTIONS**

– SAVE THESE INSTRUCTIONS –

THIS STOVE MUST BE PROPERLY INSTALLED AND OPERATED IN ORDER TO PREVENT THE POSSIBILITY OF A HOUSE FIRE. PLEASE READ THIS ENTIRE OWNER'S MANUAL BEFORE INSTALLING AND USING YOUR HEARTH TRENDS PELLET STOVE. FAILURE TO FOLLOW THESE INSTRUCTIONS COULD RESULT IN PROPERTY DAMAGE, BODILY INJURY OR EVEN DEATH. CONTACT YOUR LOCAL BUILDING OR FIRE OFFICIALS TO OBTAIN A PERMIT AND INFORMATION ON ANY INSTALLATION RESTRICTIONS AND INSPECTION REQUIREMENTS IN YOUR AREA.

Mountain View Hearth Products
manuals.stove-parts-unlimited.com

Congratulations on the purchase of your Hearth Trends Pellet Stove!

When you purchased your Hearth Trends stove, you joined the ranks of thousands of concerned individuals whose answer to their home heating system reflects their concern for aesthetics, efficiency and our environment. We extend our continued support to help you achieve the maximum benefit and enjoyment available from your pellet stove.

Please familiarize yourself with this Owner's Manual before installing your Hearth Trends stove. This manual covers, in detail, the necessary steps required in assembling and installing your Hearth Trends pellet stove in a safe manner.

We at Hearth Trends Inc. the manufacturer of the Whitfield and Traditions brand stoves thank you for selecting a Hearth Trends product as the answer to your home heating needs.

Sincerely,

All of us at Hearth Trends Inc.

– SAVE THESE INSTRUCTIONS –

“Product is subject to change without notice”



Table Of Contents

Safety Precautions

Safety Notice	4
Installation Disclaimer	4
Detailed Safety Precautions	4-5

Safety Testing	5
-----------------------------	---

Hearth Trends Pellet Stove Safety Labels	6
---	---

Pellets

General Information	7
Clinkering	7
Ash	7
Fuel Feed Rates	7

Stove Operating Controls	8
---------------------------------------	---

Stove Damper Controls	9
------------------------------------	---

Operating Instructions

Initial Start-up / Empty Auger Tube	10
Manual Operation	10
Automatic Operation	10

General Operating Considerations

Proper Burn Characteristics	11
Pellet Feed/Pellet Size	11
Long Burn Time	11
Automatic Safety Features	11
Power Outage	11
Overheating	11
Safe Shut Down of Your Stove	11

Thermostat Installation	12
--------------------------------------	----

Routine Cleaning

Burn Grate	13
Freestand Ash Pan	13
Creosote Removal	13
Ash Slide Plates	13
Insert Ash Pan	13

Table Of Contents (Cont'd)

Stove Installation	
Stove Installation Check List	14
Prior to Lighting Your Stove	14
Pre-Installation Assembly	15
Stove Installation Configurations	
Floor Protection	16
Clearances to Combustibles	16
Stove Vent Pipe/Intake Installation	
General Guidelines For Installing Exhaust System	17
Determining Equivalent Pipe Length	18
Installing Your Freestanding Pellet Stove	
Standard Horizontal Exhaust Installation	19
Stove Dimensions	20-21
Installation Configurations	
Standard Horizontal Installation	22-23
Interior Vertical Vent Through Ceiling & Roof	24
Interior Vent Installation Into Existing Class A (metal) Chimney	24
Exterior Vertical Vent Straight Out & Up Through Roof	24
Vertical Vented Into A Masonry Flue	24
Mobile Home Installation Configuration	25-26
Installing Your Insert Pellet Stove	
Venting Into An Existing Chimney	27
Built In Heater Installation	27
Routine Maintenance	
Door Rope Gasket	28
Window Wash	28
Exhaust Vent	29
Motor Lubrication	29
Cleaning of Internal Exhaust Passages	29
Heat Exchanger Tubes	29
Appendices	
Appendix A - Pellet Stove Trouble-Shooting Guide	30-32
Appendix B - Shroud	33
Appendix C - Warranty	34
Appendix D - Replacement Parts Lists and Views	35
Appendix E - Manual Lighting Procedure	36

The drawings in this manual are not drawn to architectural scale and should be used for reference only. Actual dimensions as printed in the text are accurate. Refer to this manual for detailed installation dimensions, instructions, specifications and other requirements.

Safety Precautions

Safety Notice

THIS STOVE MUST BE PROPERLY INSTALLED AND OPERATED IN ORDER TO PREVENT THE POSSIBILITY OF A HOUSE FIRE. PLEASE READ THIS ENTIRE OWNER'S MANUAL BEFORE INSTALLING AND USING YOUR WHITFIELD PELLET STOVE. FAILURE TO FOLLOW THESE INSTRUCTIONS COULD RESULT IN PROPERTY DAMAGE, BODILY INJURY OR EVEN DEATH. CONTACT YOUR LOCAL BUILDING OR FIRE OFFICIALS TO OBTAIN A PERMIT AND INFORMATION ON ANY INSTALLATION RESTRICTIONS AND INSPECTION REQUIREMENTS IN YOUR AREA.

Installation Disclaimer

THIS STOVES EXHAUST SYSTEM WORKS WITH NEGATIVE COMBUSTION CHAMBER PRESSURE AND A SLIGHTLY POSITIVE CHIMNEY PRESSURE. THEREFORE, IT IS IMPERATIVE THAT THE EXHAUST SYSTEM BE GAS TIGHT AND INSTALLED CORRECTLY. SINCE HEARTH TRENDS INC., HAS NO CONTROL OVER THE INSTALLATION OF YOUR STOVE, HEARTH TRENDS INC. GRANTS NO WARRANTY, IMPLIED OR STATED FOR THE INSTALLATION OR MAINTENANCE OF YOUR STOVE, AND ASSUMES NO RESPONSIBILITY FOR ANY CONSEQUENTIAL DAMAGE(S).

Detailed Safety Precautions

Fuel - With its advanced UltraGrate technology, the Hearth Trends pellet stove is designed and approved for the burning of wood residue pellets with up to 3% ash content (i.e....cardboard, nut hulls, cherry pits etc.). The burning of agricultural residues (i.e.... corn, alfalfa etc.) in pellet form is not permitted. Failure to comply with this restriction will void all warranties and the safety listing of the stove. Consult with your dealer for more information on approved pellet fuels and the proper burn grate for the fuels in your area.

Cleaning - There may be some build-up of dust and smaller quantities of soot or creosote in the exhaust system over the burn season. This will vary due to the ash content of the fuel being burned. A precautionary inspection on a regular basis is advisable to determine the necessity of cleaning.

Continuous Operation - When operated correctly, the Hearth Trends pellet stove cannot be over-fired. Continuous operation at a maximum burn can, however, shorten the life of the electrical components (blowers, motors, and electronic controls), and is not recommended. Typical approved operation would include running at the low to mid range setting with occasional running on the maximum setting during the coldest periods of the winter. The blower speed control should be turned to #5 when operating the stove on the number five heat setting.

Liquid Flammables - Gasoline or other flammable liquids must NEVER be used to start or "freshen-up" the fire. Keep all such liquids well away from the stove at all times.

Ashes - Any ashes removed from the pellet stove must be deposited in a metal container with a tight-fitting lid. The closed container of ashes should be placed on a noncombustible floor or on the ground, well away from all combustible materials, outside of the dwelling pending final disposal. If the ashes are disposed of by burial in soil or otherwise locally dispersed, they should be retained in the closed container until all cinders have been thoroughly cooled.

Power - The appliance is provided with a detachable, grounded electrical cord. This cord should be plugged into a standard, 115 volt, 60 Hz grounded electrical outlet. The approximate power requirement is 200 watts, or will peak to approximately 700 watts for 15 minutes when the self-igniter is operating. The power supply cord must be routed to avoid contact with any of the hot or sharp exterior surface areas of the stove. In addition, any Hearth Trends pellet stove that is installed in a mobile home must be: Connected to a source of outside air, Electrically grounded to the steel chassis and Bolted to the floor in compliance with and according to H.U.D. requirements unless otherwise specified by state or local authorities.

Soot Formation - For all wood pellet fuel-burning heater products the combustion gases will contain small particles of fly ash. The fly ash will collect in the exhaust venting system and restrict the flow of the flue gases, over time. Incomplete combustion, such as occurs during startup, shutdown, or incorrect operation of the room heater will lead to some soot formation which will collect in the exhaust venting system. The exhaust venting system should be inspected at least once every year to determine if cleaning is necessary.

Detailed Safety Precautions (cont'd)

Auger - Pellet fuel is fed to the burn grate by a screw auger. This auger is driven by a high torque motor. The auger is capable of doing serious harm to fingers. Keep pellets in the hopper at all times and keep fingers away from auger. The auger can start and stop automatically at any time while the stove is running.

Smoke Detector - Depending on your local codes, a smoke detector may be required in the room where the stove is installed. We recommend that smoke detectors be installed in all homes and maintained in an operational condition at all times, no matter whether you are using a heating appliance or not.

Safety Testing

In accordance with the specifications and procedures listed in UL 1482 & ASTM E1509 for solid fuel room heater, the Hearth Trends Pellet Stove has been independently tested and listed by I.T.S. (an accredited testing laboratory) to UL, ULC and CSA standards. UL 1482 states requirements for installations as a free-standing room heater, or hearth insert for masonry or metal (zero clearance) fireplaces. The safety listing label is located on an inside hopper surface of the pellet stove. Please read this safety label carefully. It contains important information about installation and operation of your Hearth Trends Pellet Stove.

This Owner's Manual is provided to you to supplement, rather than replace or update, the information contained on the safety label. Note that your STOVE'S serial number is located on the safety label. Your stove's serial number is preceded by a "WH-" (Example WH-0000000) . The serial number for insert stoves is also located on a label under the hopper lid. This appliance is designed specifically for use only with pelletized fuels. It is tested and listed for residential installation according to current national and local building codes as:

- A Freestanding Room Heater
- A hearth insert when installed into a masonry or factory built fireplace.
- A Mobile Home Heater

Note: This stove is not intended for use in commercial installations other than where the stove is being sold without prior approval from Hearth Trends Inc. The stove will not operate using natural draft, nor without a power source for the blower and fuel feeding systems. The appliance is provided with an exhaust connector for a 3 inch listed type "L" double wall pellet vent pipe with stainless steel inner liner.

Hearth Trends "Traditions" Pellet Stove Safety Label

Warnock Hersey
C E US

NO. 476-1129 (APRIL 1995).

INSTALL AND USE ONLY IN ACCORDANCE WITH THE MANUFACTURER'S INSTALLATION INSTRUCTIONS. CONTACT LOCAL BUILDING OR FIRE OFFICIALS ABOUT RESTRICTIONS AND INSTALLATION INSPECTION IN YOUR AREA. DO NOT CONNECT THIS UNIT TO A CHIMNEY FLUE SERVING ANOTHER APPLIANCE. SEE LOCAL BUILDING CODE AND MANUFACTURER'S INSTRUCTIONS FOR PRECAUTIONS REQUIRED FOR PASSING A CHIMNEY THROUGH A COMBUSTIBLE WALL OR CEILING. THIS PELLET FIRED APPLIANCE HAS BEEN TESTED AND LISTED FOR USE IN MANUFACTURED HOMES IN ACCORDANCE WITH OREGON ADMINISTRATIVE RULES 814-23-900 THROUGH 814-23-909.

OPERATE ONLY WITH FIREBRICK IN PLACE. WARNING: OPERATE ONLY WITH VIEWING DOOR CLOSED. INSPECT FLUE FREQUENTLY TO PREVENT ACCUMULATION OF SOOT. THE HEATER AND FLUE MUST BE IN GOOD CONDITION. KEEP FURNISHINGS AND OTHER COMBUSTIBLE MATERIALS WELL AWAY FROM HEATER.

WH-

MINIMUM CLEARANCES TO COMBUSTIBLE MATERIALS

FREESTANDING STOVE INSTALLATION	MOBILE HOME OR RESIDENTIAL INSTALLATION	
	HORIZONTAL FLUE DIRECTLY THROUGH WALL INSTALLATION	INTERIOR VERTICAL FLUE INSTALLATION
SIDEWALL TO UNIT	A 6" / 150 MM	6" / 150 MM
BACKWALL TO UNIT	B 2" / 50 MM	9" / 220 MM
WALL TO UNIT CORNER	C 2" / 50 MM	2" / 50 MM
ALCOVE TO CASTTOP	D 6" / 150 MM	6" / 150 MM
MAX. DEPTH OF ALCOVE	E 18" / 480 MM	18" / 480 MM
FLUE TO WALL	F N/A	3" / 75 MM
FRONT/REAR/SIDE TO FLOOR PROTECTION OUTSIDE EDGE	I 6" / 150 MM	6" / 150 MM

MINIMUM ALCOVE HEIGHT 48" / 1220 MM
MINIMUM ALCOVE WIDTH 41" / 1050 MM

CAUTION: HOT SURFACES WHILE IN OPERATION. DO NOT TOUCH. CONTACT MAY CAUSE SKIN BURNS.

KEEP CHILDREN, COMBUSTIBLE MATERIAL AND FURNISHINGS A CONSIDERABLE DISTANCE AWAY. SEE NAMEPLATE AND INSTRUCTIONS. TYPE OF FUEL: PELLETIZED WOOD FUEL ONLY.

COMBUSTIBLE FLOOR MUST BE PROTECTED BY NON-COMBUSTIBLE MATERIAL EXTENDING BENEATH THE HEATER AND 6" TO THE FRONT AND SIDES AS INDICATED OR TO THE NEAREST PERMITTED COMBUSTIBLE MATERIAL.

USE 3" / 76mm or 4" / 100mm Type "L" LISTED PELLET VENT AND COMPLETE COMPONENTS.

ROUTINE MAINTENANCE REMINDER

FREQUENCY OF CLEANING AND MAINTENANCE OF YOUR STOVE DEPENDS ON THE ASH CONTENT OF THE PELLETS YOU BURN. CHECK THE FOLLOWING PARTS OF YOUR STOVE WEEKLY FOR THE FIRST MONTH TO DETERMINE THE FREQUENCY OF CLEANING.

A. BURN GRATE
B. HEAT EXCHANGER TUBES
C. ASH PAN AND EXHAUST PIPE

SEE YOUR MANUAL AND/OR DEALER FOR MORE INFORMATION.
INPUT RATING RANGE: 1.5 TO 3.8 LBS./HOUR (NOMINAL)
ELECTRICAL RATING: 60 HZ, 115 V, LESS THAN 10 AMP

DO NOT REMOVE THIS LABEL

60020142 IR Rev. A

Made in U.S.A. by HEARTH TRENDS, INC.
Burlington, WA



Traditions Stove Safety Label

Hearth Trends "Profile Series" Pellet Stove Safety Labels

Warnock Hershey
CHEUS
 LISTED ROOM HEATER, PELLETIZED WOOD FUEL TYPE, ALSO FOR USE IN MOBILE HOMES, AND AS AN INSERT FOR MASONRY FIREPLACES AND FACTORY BUILT FIREPLACES, OR AS BUILT-IN. MODEL: PROFILE-30
 TESTED TO: UL 1482 / ULC-S627 / ULC-S628 REPORT NO. 5515 (DEC. 1991) ASTM E1509 REPORT NO. 476-1244 (MAR. 1996).

INSTALL AND USE ONLY IN ACCORDANCE WITH THE MANUFACTURER'S INSTALLATION INSTRUCTIONS. CONTACT LOCAL BUILDING OR FIRE OFFICIALS ABOUT RESTRICTIONS AND INSTALLATION INSPECTION IN YOUR AREA. DO NOT CONNECT THIS UNIT TO A CHIMNEY FLUE SERVING ANOTHER FIREPLACE. SEE LOCAL BUILDING CODE AND MANUFACTURER'S INSTRUCTIONS FOR PRECAUTIONS REQUIRED FOR PASSING A CHIMNEY THROUGH A COMBUSTIBLE WALL OR CEILING. THIS PELLET FIRED APPLIANCE HAS BEEN TESTED AND LISTED FOR USE IN MANUFACTURED HOMES IN ACCORDANCE WITH OREGON ADMINISTRATIVE RULES 814-23-900 THROUGH 814-23-909.

OPERATE ONLY WITH FIREBRICKS IN PLACE. OPERATE ONLY WITH VIEWING DOOR AND ASH REMOVAL DOOR CLOSED. INSPECT FLUE FREQUENTLY. CLEAN HEAT EXCHANGER AND FLUE FREQUENTLY TO PREVENT ACCUMULATION OF SOOT. THE HEATER AND FLUE MUST BE IN GOOD CONDITION. REQUIRED COMPONENTS: DAMPER SEALING PLATE FOR INSERT INSTALLATIONS. USE 3" / 75MM OR 4" / 100MM MODEL PL CHIMNEY COMPONENTS. KEEP FURNISHINGS AND OTHER COMBUSTIBLE MATERIALS WELL AWAY FROM HEATER.

ELECTRICAL RATING: 115V 60Hz Less than 10 Amp
 FUEL INPUT RATING: 4.5 Lbs./Hr. Max.

ROUTINE MAINTENANCE REMINDER

FREQUENCY OF CLEANING AND MAINTENANCE OF YOUR STOVE DEPENDS ON THE ASH CONTENT OF THE PELLETS YOU BURN. CHECK THE FOLLOWING PARTS OF YOUR STOVE WEEKLY FOR THE FIRST MONTH TO DETERMINE CLEANING:

- A. BURN GRATE
- B. HEAT EXCHANGER TUBES
- C. ASH TRAPS AND ASH PAN

SEE YOUR MANUAL AND/DEALER FOR MORE INFORMATION.

DO NOT REMOVE THIS LABEL

WH-

INSTALLED AS FREESTANDING STOVE	MOBILE HOME OR RESIDENTIAL INSTALLATION	
	HORIZONTAL FLUE DIRECTLY THROUGH WALL INSTALLATION	INTERIOR VERTICAL FLUE INSTALLATION
SIDEWALL TO UNIT	A 6" / 152MM	6" / 152MM
BACKWALL TO UNIT	B 1" / 25MM	1" / 25MM
CORNER UNIT	C 1" / 25MM	1" / 25MM
ALCOVE TO FUEL HOPPER	D 6" / 152MM	6" / 152MM
DEPTH OF ALCOVE	E 18" / 458MM	N/A
FLUE TO WALL	F N/A	3" / 75MM



INSTALLED AS AN INSERT	USE 3" / 75MM / MODEL PL CHIMNEY COMPONENTS OR LISTED SINGLE WALL CHIMNEY LINER. SEAL THE AREA BETWEEN THE FIREPLACE DAMPER AND THE INSERT FLUE. MAY BE INSTALLED IN A MASONRY FIREPLACE THAT MEETS NATIONAL AND LOCAL BUILDING CODE REQUIREMENTS. DO NOT REMOVE BRICKS OR MORTAR. MAY BE INSTALLED IN A FACTORY BUILT FIREPLACE. DO NOT ALTER OR MODIFY THE FIREPLACE. MAY BE FRAMED INTO WALL WITHIN MIN. 1" CLEARANCE AROUND HOPPER OF STOVE. REFER TO OWNER'S MANUAL FOR SPECIFIC INSTALLATION REQUIREMENTS. DO NOT ROUTE CORD BENEATH OR OVER APPLIANCE.
G. SIDEWALL	6" / 152MM
H. SIDEWALL	1" / 25MM
I. TOP/FRM	1" / 25MM
J. MANTLE	18" / 457MM



CAUTION: HOT SURFACES WHILE IN OPERATION. DO NOT TOUCH. CONTACT MAY CAUSE SKIN BURNS. KEEP CHILDREN, COMBUSTIBLE MATERIAL AND FURNISHINGS A CONSIDERABLE DISTANCE AWAY. SEE NAMEPLATE AND INSTRUCTIONS. TYPE OF FUEL: PELLETIZED WOOD FUEL ONLY.

- PROFILE-30
- FREESTAND
- INSERT

Made in U.S.A. by HEARTH TRENDS, INC. Burlington, WA

MODEL: Profile-30

See Safety Label on Hopper side panel for detailed information

Profile 30 Stove Safety Label

Warnock Hershey
CHEUS
 CERTIFIED FOR U.S. AND CANADA. LISTED ROOM HEATER FOR USE WITH APFI/FFI APPROVED PELLETIZED WOOD FUEL ONLY. FOR USE IN MOBILE HOMES, AND AS AN INSERT FOR MASONRY AND FACTORY BUILT FIREPLACES. MODEL: PROFILE 20 TESTED TO ASTM E-1509/UL 1482 / ULC-S627 / ULC-S628 REPORT NO. 6658 (JULY 1993).

INSTALL AND USE ONLY IN ACCORDANCE WITH THE MANUFACTURER'S INSTALLATION INSTRUCTIONS. CONTACT LOCAL BUILDING OR FIRE OFFICIALS ABOUT RESTRICTIONS AND INSTALLATION INSPECTION IN YOUR AREA. DO NOT CONNECT THIS UNIT TO A CHIMNEY FLUE SERVING ANOTHER APPLIANCE. SEE LOCAL BUILDING CODE AND MANUFACTURER'S INSTRUCTIONS FOR PRECAUTIONS REQUIRED FOR PASSING A CHIMNEY THROUGH A COMBUSTIBLE WALL OR CEILING. THIS PELLET FIRED APPLIANCE HAS BEEN TESTED AND LISTED FOR USE IN MANUFACTURED HOMES IN ACCORDANCE WITH OREGON ADMINISTRATIVE RULES 814-23-900 THROUGH 814-23-909.

OPERATE ONLY WITH FIREBRICK IN PLACE. WARNING: OPERATE ONLY WITH VIEWING DOOR CLOSED. INSPECT FLUE FREQUENTLY TO PREVENT ACCUMULATION OF SOOT. THE HEATER AND FLUE MUST BE IN GOOD CONDITION. KEEP FURNISHINGS AND OTHER COMBUSTIBLE MATERIALS WELL AWAY FROM HEATER.

ROUTINE MAINTENANCE REMINDER

FREQUENCY OF CLEANING AND MAINTENANCE OF YOUR STOVE DEPENDS ON THE ASH CONTENT OF THE PELLETS YOU BURN. CHECK THE FOLLOWING PARTS OF YOUR STOVE WEEKLY FOR THE FIRST MONTH TO DETERMINE THE FREQUENCY OF CLEANING.

- A. BURN GRATE
- B. HEAT EXCHANGER TUBES
- C. ASH PAN AND EXHAUST PIPE

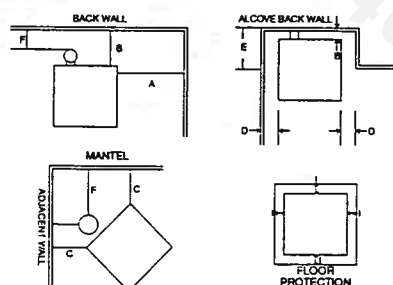
SEE YOUR MANUAL AND/OR DEALER FOR MORE INFORMATION.
 INPUT RATING RANGE: 1.5 TO 3.8 LBS./HOUR (NOMINAL)
 ELECTRICAL RATING: 60 HZ, 115 V. LESS THAN 10 AMP

DO NOT REMOVE THIS LABEL

WH-

MINIMUM CLEARANCES TO COMBUSTIBLE MATERIALS

FREESTANDING STOVE INSTALLATION	MOBILE HOME OR RESIDENTIAL INSTALLATION	
	HORIZONTAL FLUE DIRECTLY THROUGH WALL INSTALLATION	INTERIOR VERTICAL FLUE INSTALLATION
SIDEWALL TO UNIT	A 4" / 100MM	4" / 100MM
BACKWALL TO UNIT	B 1" / 25MM	1" / 25MM
WALL TO UNIT CORNER	C 1" / 25MM	1" / 25MM
ALCOVE TO FUEL HOPPER	D 4" / 100MM	4" / 100MM
MAX. DEPTH OF ALCOVE	E 24" / 610MM	24" / 610MM
FLUE TO WALL	F 8" / 200MM	8" / 200MM
FRONT/REAR/SIDE TO FLOOR PROTECTION OUTSIDE EDGE	I 6" / 150MM	6" / 150MM



CAUTION: HOT SURFACES WHILE IN OPERATION. DO NOT TOUCH. CONTACT MAY CAUSE SKIN BURNS. KEEP CHILDREN, COMBUSTIBLE MATERIAL AND FURNISHINGS A CONSIDERABLE DISTANCE AWAY. SEE NAMEPLATE AND INSTRUCTIONS. TYPE OF FUEL: PELLETIZED WOOD FUEL ONLY.

COMBUSTIBLE FLOOR MUST BE PROTECTED BY NON-COMBUSTIBLE MATERIAL EXTENDING BENEATH THE HEATER AND 6" TO THE FRONT AND SIDES AS INDICATED OR TO THE NEAREST PERMITTED COMBUSTIBLE MATERIAL.

USE 3" / 76mm or 4" / 100mm Type "L" LISTED PELLET VENT AND COMPLETE COMPONENTS.

- FREESTAND
 - INSERT
- INSERT MODEL

MAY BE INSTALLED IN A MASONRY FIREPLACE THAT MEETS NATIONAL AND LOCAL BUILDING CODE REQUIREMENTS. DO NOT REMOVE BRICKS OR MORTAR. MAY BE INSTALLED IN A FACTORY BUILT ("ZERO CLEARANCE") FIREPLACE. DO NOT ALTER OR MODIFY THE FIREPLACE STRUCTURE. REFER TO OWNER'S MANUAL FOR SPECIFIC INSTALLATION REQUIREMENTS.

Made in U.S.A. by HEARTH TRENDS, INC. Burlington, WA

60020146 IR Rev. A

Profile 20 Stove Safety Label

Hearth Trends pellet stoves and fireplace inserts are safety tested and listed by I.T.S. Professional Services, Ltd.



Pellet Fuels

General Information

Using the UltraGrate burn system, the Hearth Trends pellet stove has been designed to burn wood residue pellets with up to 3% ash content. Agricultural pellets (i.e... Corn, alfalfa etc.) are not permitted to be burned in the stove. Dirty fuel will adversely affect the performance of the stove.

Caution: The use of unapproved, dirty, wet and/or high salt content fuel will void the warranty!

Wood pellets manufactured to the Pellet Fuels Institute (P.F.I.) Certification Standard are available in two grades, Standard and Premium. The primary difference between the two is the ash content of the pellets.

The P.F.I., specification for Standard Grade & Premium Grade residential pellet fuel is as follows:

CHLORIDES (Salt): Less than 300 p.p.m..

BULK DENSITY: 40 lb. / cu. ft. minimum

MOISTURE CONTENT: 8% maximum

ASH CONTENT: < 3% maximum (Standard Grade) < 1% maximum (Premium Grade)

FINES: 0.5% maximum through a 1/8" screen

Clinkering

Silica (or sand) in the fuel, along with other impurities, can cause clinkering. A clinker is a hard mass of silica formed in the burning process. Clinkering is a function of the fuel, (not the stove), but adversely affects the performance of the stove by blocking off the air passages in the grate. Even P.F.I. approved pellet fuel may tend to clinker. A clinker can be removed from the burn grate and placed in the ash pan with the use of the grate scraper/ash pan tool furnished with your stove. See Routine Maintenance for more information on cleaning.

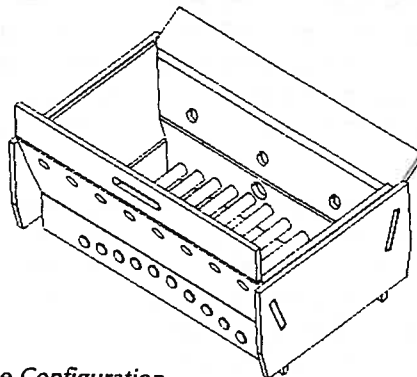
Ash

The frequency of removal of the ash and maintenance performed on the stove is directly proportional to the ash content of the fuel and the operation duration of your pellet stove. Low ash fuel may allow longer intervals between cleaning, however, a stove burning high ash fuel may need to be cleaned as often as everyday.

PLEASE NOTE: Hearth Trends Inc., has no control over the manufacturing of pellet fuel and will not be held responsible for poor stove performance or any damage caused by inferior pellet fuels.

Fuel Feed Rates

Different brands of pellets will feed at varying rates due to their size and density (length and diameter). This may require a slight adjustment in the damper control or the pellet feed control to compensate. See general operating considerations on page 11.



UltraGrate Configuration

Stove Operating Controls

STOVE ON/OFF SWITCH – This switch will turn your stove on or off. While in Manual or Automatic mode (See page 10 for details). The green on/off light at the top of control will indicate the on/off status.

HEAT OUTPUT SWITCH – The heat output switch has three selection settings, Low, Medium and High. Pressing the switch will scroll the red indicator lights from Low to High. The switch controls the pellet feed and combustion airflow simultaneously. The control is preset to provide the optimum ratio of fuel and air at each setting. Settings can be changed at any time but will only take affect after the start-up cycle is complete. Each press of the heat button will increase the heat output, and will scroll to the lowest setting after reaching the maximum setting.

BLOWER – The blower switch operates the convection fan. This will change the flow of hot air into the room. Three choices are available Low, Medium, and High. When the blower button is pressed the yellow indicator light will scroll to Low, Medium, or High. **NOTE:** When running your stove on High **HEAT** output, the control will not allow you to select the low blower speed. This is a safety precaution to protect against overheating. Blower settings can be changed at any time, but will only take affect after the start-up cycle is complete.

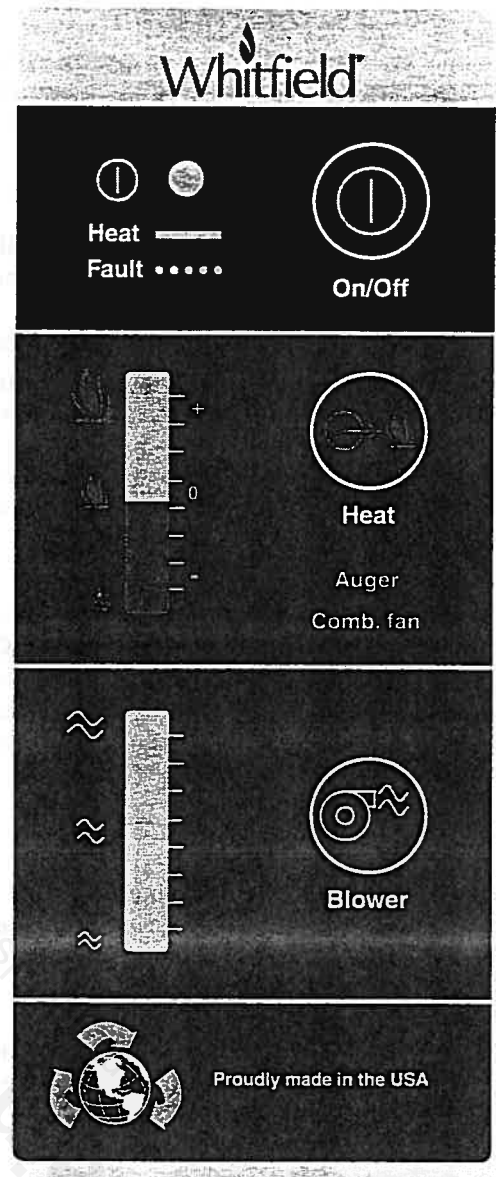
FAULT MODE – The control system automatically monitors the flame using a photo eye located near the pellet feed tube. If the stove runs out of pellets the control automatically goes into a "fault" status. The controls will initiate the shut down cycle and safely shut down the stove leaving it in the "fault" mode. The on/off indicator light near the top of the control will flash rapidly when in this mode. After refilling the hopper with pellets, press the start button. If a thermostat is not being used the stove will go into the start-up cycle. If a thermostat is being used the stove will go into the start-up cycle if the thermostat is in the demand mode. If the thermostat is in the stand-by mode when the fault is cleared, the stove will remain in the stand-by mode until it closes again.

PELLET FEED TRIM – Adjustments to the auger feed rate can be made at anytime by pressing the **Calibration** button on the front of the control panel (located behind the swing down door). Once the calibration button is pressed the "Auger" led will illuminate. Once in the Fuel Trim Mode the **HEAT** button is used to select the adjustment of the pellet feed rate.

NOTE – It is recommended that the damper be used to fine tune your stove to your particular fuel and installation configuration, (see page 9). It is recommended that you contact your Hearth Trends Dealer before adjusting the Pellet Feed Trim.

Each time the **HEAT** button is pressed the Auger Feed Rate Adjustment index is incremented by 1 (the default is set at '0' trim) which is approximately an increase in fuel feed of 5%. After the auger trim reaches '+4' the next position will drop down to '-4'. Continually pressing the **HEAT** button will result in an endless loop, with values from -4 to +4. There are a total of 9 settings giving the ability to trim from a range which is approximately -20% to +20% from the "0" position. Once the desired setting has been reached, pressing the **Calibration** button again will store the trim level for all 3 settings.

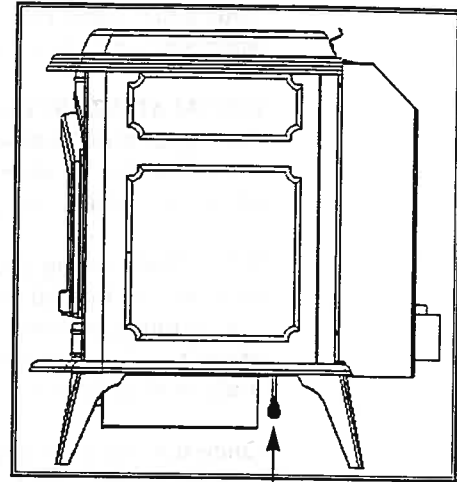
The trim setting will remain in memory (even during power outage) and can only change by repeating the procedure stated above.



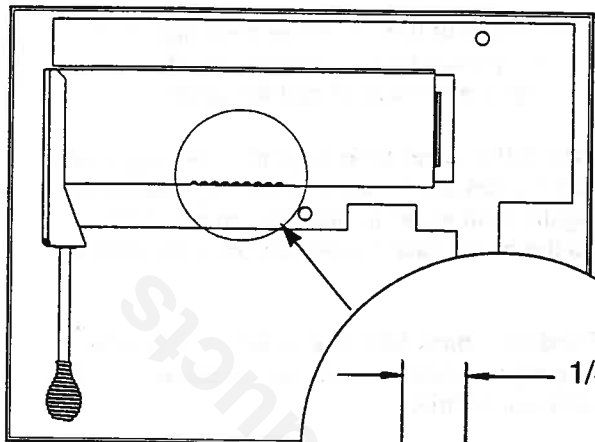
Control Board

Stove Damper Controls

The **damper** is a plate that helps control the amount of airflow supplied for combustion. With the damper pushed all the way in the airflow is at its minimum. As the damper is pulled out, more air is allowed to flow.

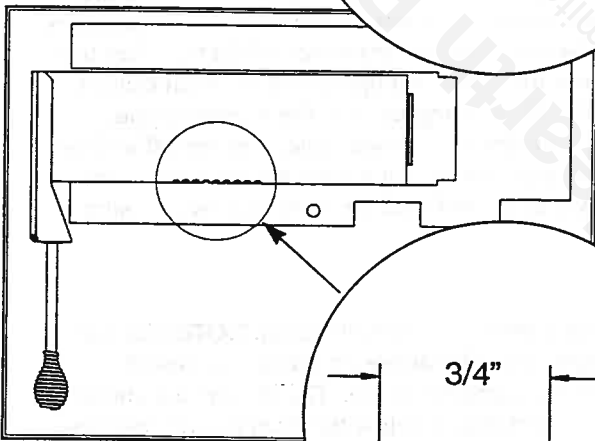


(Fig.A) Traditions Damper Handle



(Fig.B) Damper positioned all the way in.

It will be necessary to monitor the appearance of the flame during the first 4-8 bags of pellets. If your flame is smoky red/orange with evidence of soot at the top of the flame, you need more combustion air; pull the damper out **one notch** and re-evaluate the appearance of the flame. It may be necessary to continue this process, moving the damper **one notch** at a time until proper combustion is attained (the flame should become yellow and begin to “dance”). If the flame is “short” at the higher burn rates, or if the pellets are burning up in the grate before new pellets are fed into the fire, push the damper in **one notch** and monitor the flame. Continue the process of moving the damper **one notch at a time** and evaluating the flame until proper flame appearance is achieved.



(Fig.C) Pulled back 3 notches

Once the damper has been properly set it should not need adjusting unless you are changing from a premium grade pellet to a standard or high ash pellet, in which case the damper may need to be pulled out to help prevent the accumulation of ash in the grate.

“Traditions”

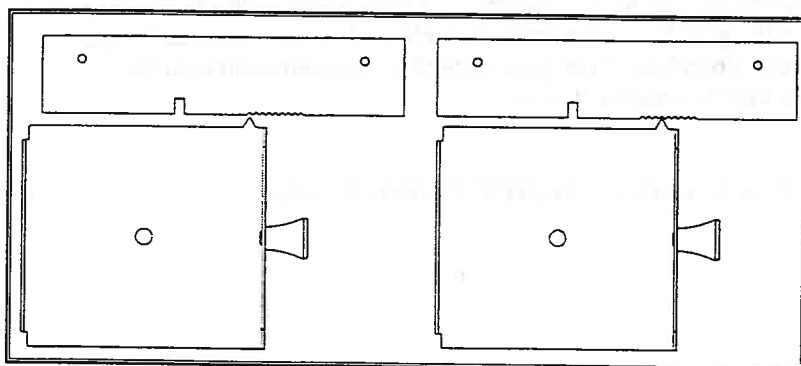
The damper rod is located under the bottom plate, on the right hand side of the stove, just behind the ashpan (see figure A). It is very important to setup your damper prior to burning your Traditions pellet stove, as it is likely to shift during shipment.

The damper plate on the Traditions contains nine **notches** spaced in 1/4” increments that aid in positioning (see figure B). For initial **setup**, push the damper all the way **in** (when facing the front of the stove, **in** is to the left, and **out** is to the right) and slowly pull back three notches (see figure C). This setting should provide an adequate air to fuel ratio for most installations.

“Profile”

The damper is **located** behind the right-hand side panel of the Profile-20 and behind the left-hand side panel of the Profile-30. It is **very important to setup your damper prior to burning** your Profile series pellet stove, as it is likely to shift during shipment.

The damper plate on the Profile contains nine **notches** spaced in 1/8” increments that aid in positioning (see figure D). For initial **setup**, push the damper all the way **in** (when facing the front of the stove, **in** is to the center of the stove, and **out** is away from the center of the stove) and **slowly** pull back three to four notches (see figure D). This setting should provide an adequate air to fuel ratio for most installations.



(Fig.D) Profile damper control settings

Operating Instructions

Your pellet stove can be operated in either Manual or Automatic mode. The Manual mode is used when operating without a thermostat. The Automatic mode is used when utilizing a wall thermostat.

INITIAL START-UP/ EMPTY HOPPER OR FEED TUBE:

During an initial start-up, or in the case where the hopper has run out of fuel, it will be necessary to prime the auger feed system. The control board is set to deliver fuel for approximately 2 1/2 minutes during start-up, which, with a fully primed auger tube, will provide the appropriate amount of fuel for ignition.

When first starting your pellet stove, it will be necessary to prime the auger tube. To prime the auger tube you need to first fill the hopper with pellets, and press the **ON** button on the control. Wait approximately 2 1/2 minutes and turn the controls **OFF** and then back **ON** again. Wait an additional 2 1/2 minutes (if necessary) and continue this process until fuel begins to fall into the burn grate. Remember, different brand fuels feed at different rates.

Once fuel starts to enter the burn grate, turn the stove **OFF** and then back **ON**. The auger tube should now be primed and the stove should deliver enough fuel for proper ignition. It may be necessary to follow these procedures in the event that the hopper runs completely out of fuel.

MANUAL OPERATION:

Pressing the stove **on/off** switch initiates the start-up cycle. The green on/off light, near the top of the control, will light up to indicate the "on" status. The fan speeds and pellet feeds are fixed during this time to provide appropriate ignition. The Fast-Fire igniter system will light the pellets feeding to the burn grate, after about 3 minutes. The start-up cycle is in effect for approximately 2 minutes after flame is detected in the burn grate. A photo eye, located near the pellet feed tube monitors the existence of flame. After the start-up cycle your stove will be in the run mode. At this point the stove will operate in the heat output and blower settings selected. These settings can be selected either during or after the start-up cycle. Pressing the stove **on/off** switch during the run mode will initiate the shut down cycle. The **on/off** indicator light will turn off. The pellets will stop feeding and the blowers will run at a fixed speed for approximately 10 minutes. At this point your stove is safely shut down and can **ONLY** be re-started by pressing the stove on/off switch again.

AUTOMATIC OPERATION:

Your stove is capable of running in an automatic mode with the use of a wall thermostat. **NOTE:** For the thermostat to control the operation of the stove, the "on" status must be active on the stove's **on/off** switch. The thermostat will establish either a demand mode or a stand-by mode. The thermostat should be set for the desired room temperature. If the room temperature drops below the level on the thermostat the stove will automatically begin the start-up cycle, as explained above in the Manual Operation section. Once the start-up cycle is completed the stove will operate in whatever heat and blower setting you have selected. For best operation under thermostat control, the Medium or High settings recommended. When the desired room temperature is reached the stove will automatically go into the shut down cycle. The pellet feed will stop and the blowers will continue for a controlled time allowing safe shut down of your stove. All lights will shut off when the thermostat is open. The heat and blower settings can be changed at any time, but only take affect during the run mode. When the temperature in the room drops to the level set at the thermostat, the stove will again begin the start-up cycle and resume automatic operation in the demand mode. **NOTE: If the stove on/off switch is pressed while the thermostat is in the standby mode the stove will not restart until the thermostat closes.**

SEE FOLLOWING PAGES FOR DETAILS ON STOVE CONTROL BOARD

General Operating Considerations

Proper Burn Characteristics:

The flame in your stove should be bright yellow under normal operation. If the flame becomes lazy with a reddish/orange color, the damper position may need to be changed to provide more combustion air. Excessive amounts of flyash built-up in the grate, clinkers in the grate, or leakage of air (if the grate is not properly seated) will starve the fire for air. (See ROUTINE MAINTENANCE for information on cleaning the stove). If the problem persists, review the troubleshooting section at the end of this manual.

Pellet Feed/Pellet Size:

The pellet feed system is designed to handle a wide range of pellet sizes up to a maximum of 5/16" diameter. Different pellets may feed at considerably different rates. You may notice a difference in the burn if you change pellet fuel sizes. The longer the pellet, the slower it will feed and vice versa. If the stove will not stay burning at the minimum fuel feed setting, those particular pellets may not be feeding fast enough. If this happens, reduce the amount of combustion air by adjusting the damper. Refer to page 9 before adjusting the damper.

Long Burn Time:

The stove may be safely operated on a continuous basis, but to conserve fuel it is recommended that it be turned down overnight or when the room is vacated for long periods of time. A 40 lb. bag of pellets should last approximately 9 hours on high and over 24 hours on low, depending on the type and size of pellets you are burning. Burn times will vary plus or minus 2 hours depending on the type of pellets burned. When utilizing the thermostat capability the burn time can be extended dramatically depending on thermostat setting. *Note: It is normal for some ash to build up on the inner glass surface at the lower burn settings.*

AUTOMATIC SAFETY FEATURES

Power Outage:

During a power outage, the stove will shut down safely. The stove will automatically restart when power is resumed. The solid state control has an internal memory that will retain heat output and blower speed settings through voltage interruptions. A small amount of smoke may leak from the top of the window glass, the hopper and from the combustion air intake, if the stove is vented horizontally. This will not persist for more than 3 to 5 minutes and will not be safety hazard. It may set off your smoke alarm.

Note: If the area in which you live is prone to frequent power outage, it is recommended that a minimum of 8 ft. (2.5 m) of vertical vent pipe be included in a freestanding installation to induce a natural draft in the event of a power failure.

Overheating:

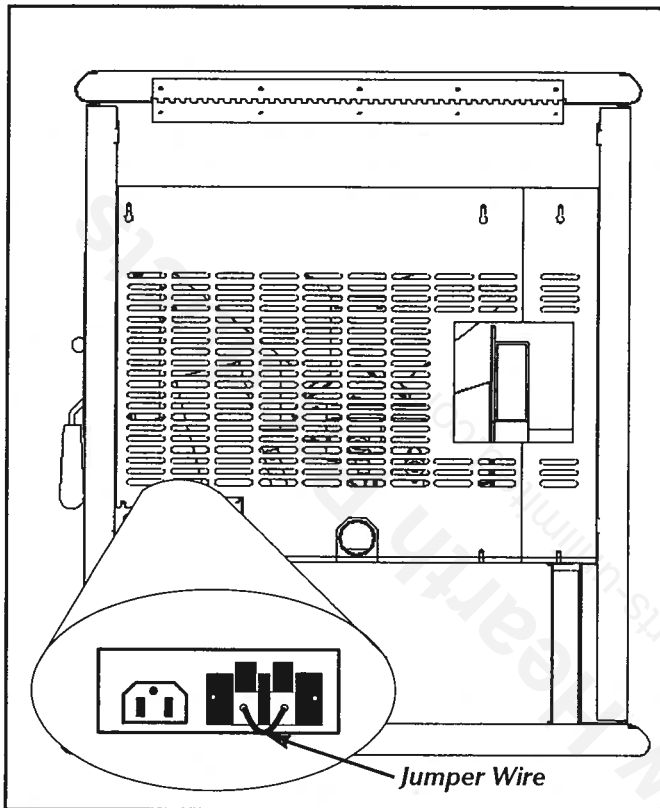
A high temperature switch will automatically shut down the stove if it overheats. Allow up to 45 minutes cooling time before re-lighting. Keep enough convection air going through stove to keep it cooling properly, this will ensure long life of the stove. If the overheating continues, contact your dealer for more information.

Safe Shut Down of Your Stove:

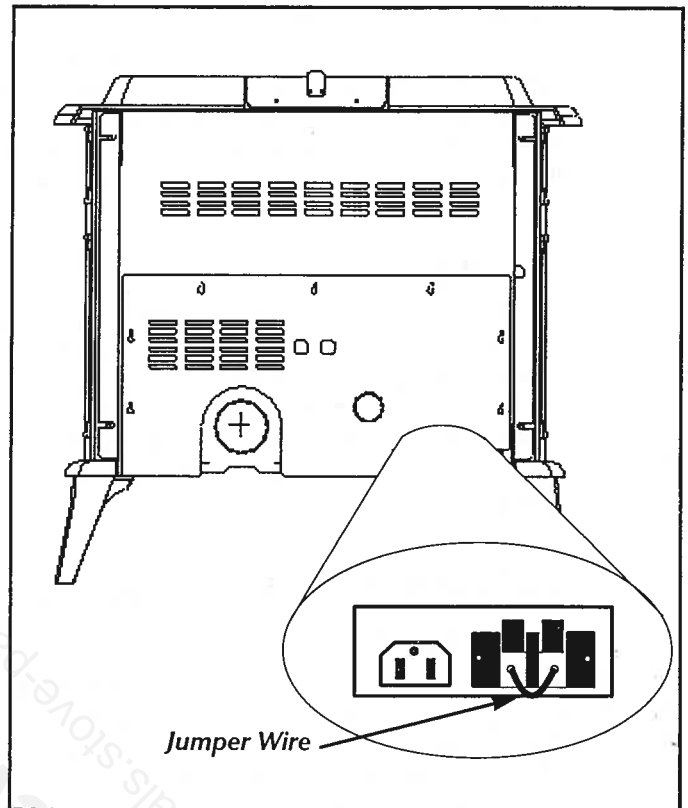
Press the stove on/off switch to initiate the shut down cycle. The pellets will stop feeding and the blowers will continue to run on a timed cycle. The stove will shut down safely upon completion of the shut down cycle.

Thermostat Installation

NOTE: ALWAYS DISCONNECT POWER BEFORE PERFORMING THE THERMOSTAT INSTALLATION.



Profile Pellet Stove



Traditions Pellet Stove

To Install A Wall Thermostat:

1. A 24v thermostat is included with your stove accessories, along with a length of thermostat wire.
2. Unplug your stove from the wall outlet.
3. Locate the thermostat connection block on the back of the stove.
4. Remove the jumper wire from the "jacks" on the connection block.
5. Insert the two wires from your thermostat into the jacks (one per jack). Make sure the wires are firmly connected to the thermostat.
6. Plug in the stove and you are ready to operate with your thermostat!

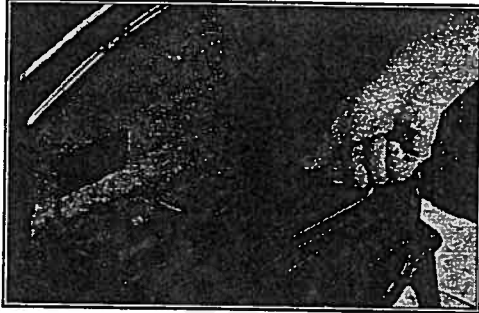
NOTE: If the jumper wire is missing, and you do not have a thermostat installed, your stove will not operate. It is recommended that you consult your Hearth Trends dealer for thermostat installation information.

Routine Cleaning

NOTE: STOVE WILL NEED TO BE SHUT OFF AND COOLED ENOUGH TO HANDLE BEFORE ROUTINE CLEANING IS PERFORMED.
ALWAYS DISCONNECT POWER BEFORE DOING ANY ROUTINE CLEANING.

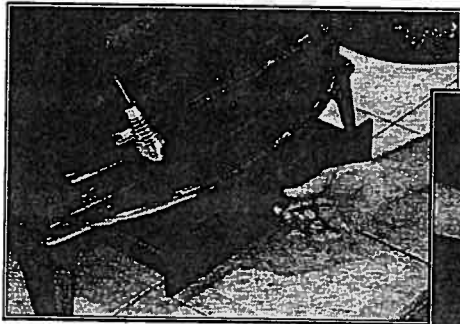
The following areas need to be inspected during Routine Cleaning:

- Burn Grate
- Ash Slide Plate (Free Standing Model Only)
- Ash Pan
- Heat Exchange Tubes

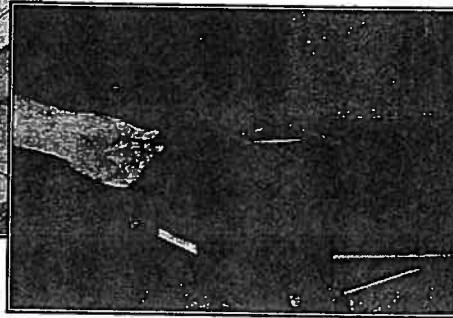


Traditions Burn Grate

Burn Grate: The burn grate should be inspected periodically to assure that the air holes have not become clogged with ash or clinkers. The burn grate can easily be cleaned with the grate scraper/ash pan tool, or it can be removed for cleaning. It is very important to monitor the ash build up under the burn grate, as excessive amounts of ash will block combustion air from entering the grate, causing pellets to pile-up in the grate. The ash build-up under the grate is easily dumped into the ash pan by pulling out the ash slide weekly as shown below in (Figures C & D). The grate cleaning procedure is the same for all models.



(Figure A) Traditions Ash Pan



(Figure B) Profile 20 & 30 Ash Pan

Freestand Ash Pan: The ash pan will have to be emptied periodically, depending on amount of fuel consumed. The ash pan is located in the pedestal on the profile 20 & 30 as in fig.B. It can be removed by turning the T-Bar latch fully counter-clockwise. The Traditions ash pan is pulled straight out using the black pull knob located on the front of the ash pan (fig. A).

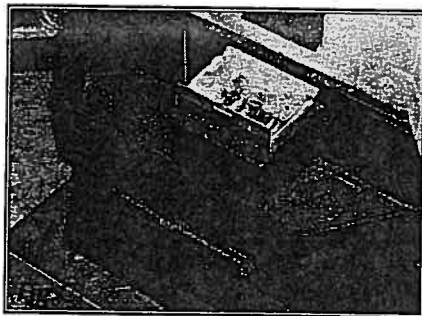
Creosote removal: When wood is burned slowly, it produces tar and other organic vapors, which combine with expelled moisture to form creosote. The creosote vapors condense in the relatively cool chimney flue of a slow-burning fire. As a result, creosote residue accumulates on the flue lining. When ignited this creosote makes an extremely hot fire.

The chimney connector and chimney should be inspected at least once every two months during the heating season to determine if a creosote buildup has occurred.

If creosote has accumulated it should be removed to reduce the risk of a chimney fire.

Ash Slide Plate: Ash that accumulates around the grate can be "dropped" into the ash pan without opening the firebox door. Simply pull open the ash release slide plate as shown in photo using the grate scraper tool provided. Remove the ash pan as shown. **Note: Make**

sure to fully close the plates when finished. Failure to close the ash release slide plates completely may cause the fuel to burn poorly (due to reduced air flow through the grate), which may then cause pellets to "pile up" in the grate. Important: The Profile 20 & 30 ash slides must be fully closed for firebox door to close.

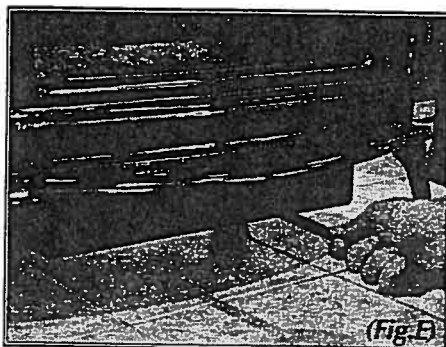


(Figure C & D)
Profile 20 & 30 Ash Slide Plate



(Fig. D)

Insert Ash Pan: The Insert Model stove has two ash pans, an upper and lower. They should be emptied whenever necessary. The upper ash pan is accessed by opening the door and simply lifting the ash pan out. The lower ash pan is removed by pulling straight out using the grate scraper tool. Be sure to dump ashes into a non-combustible container. All ash removal and cleaning should be done while stove is cold.



Traditions Ash Slide Plate Location

Stove Installation

It is strongly recommended that you have an Authorized Hearth Trends Dealer install your stove. If you install the stove yourself, you should review your installation plan with the Authorized Hearth Trends Dealer.

Stove Installation Checklist

Check off each item as you go through your installation. As part of the installation process:

- Read the ENTIRE Stove Installation section first.
- Read the Insert or Freestand section (whichever applies).
- Determine the appropriate measurements and locations for your installation.
- Follow the general installation directions under Stove Installation & the Installation section appropriate to your stove.
- Be sure to pre-fit all items before you install, fasten, or set up the stove permanently.

Prior to lighting your stove:

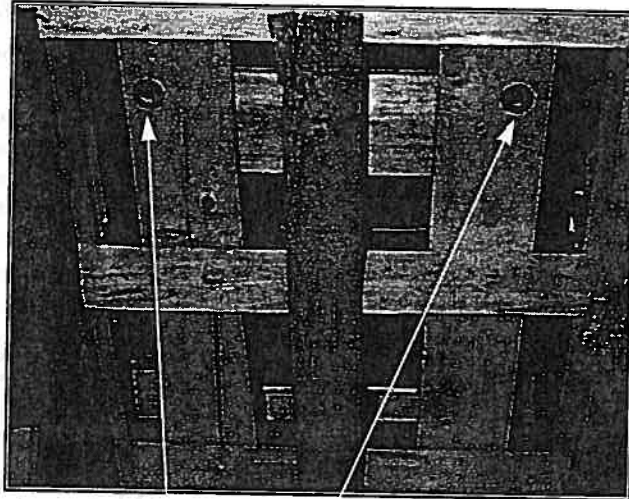
- Review the Safety Precautions section.
- Review the Pellets Section.
- Review the Operating Instructions.
- Follow the Operating Instructions.

After you have begun operation of your stove:

- Review the Routine Cleaning / Maintenance information.
- Enjoy the warmth from your new Hearth Trends Pellet Stove !

Pre-Installation Assembly

1. After removing the packaging from the stove, lift the hopper lid, and remove all pre-packaged items that were shipped in the hopper. Also open the stove door and remove all pre-packaged items.
2. Using a $7/16$ " socket or open end wrench, remove the bolts from the bottom that secure the stove to the wooden pallet.
3. If your stove is an insert model, refer to appendix C for shroud information.

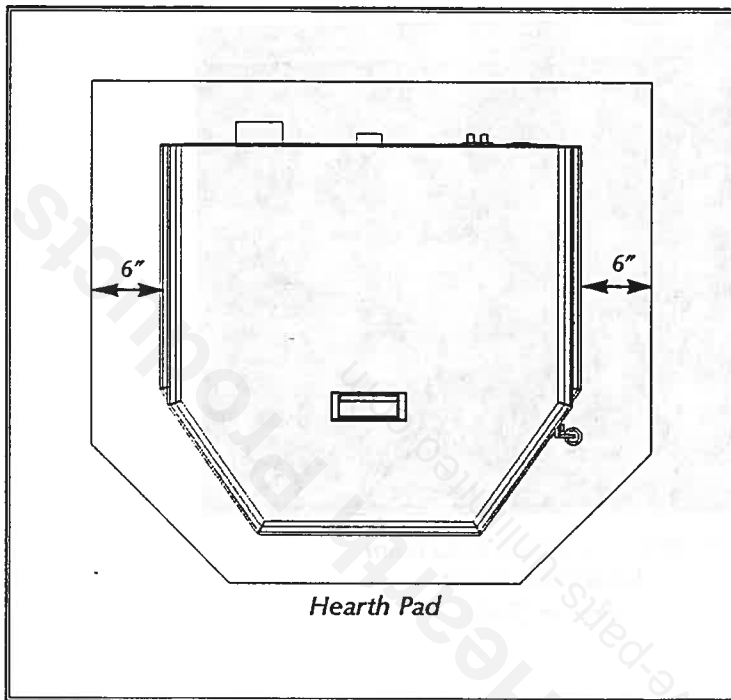


*Remove The Three Bolts From
Under The Pallet
(Profile Only)*

Stove Installation configurations

Your Hearth trends Pellet Stove May Be Installed As:

- A freestanding unit with a pedestal placed on a noncombustible floor pad.
- A mobile home heater placed on a non-combustible floor pad, with a source of outside air, bolted down and electrically grounded to the chassis of the home.



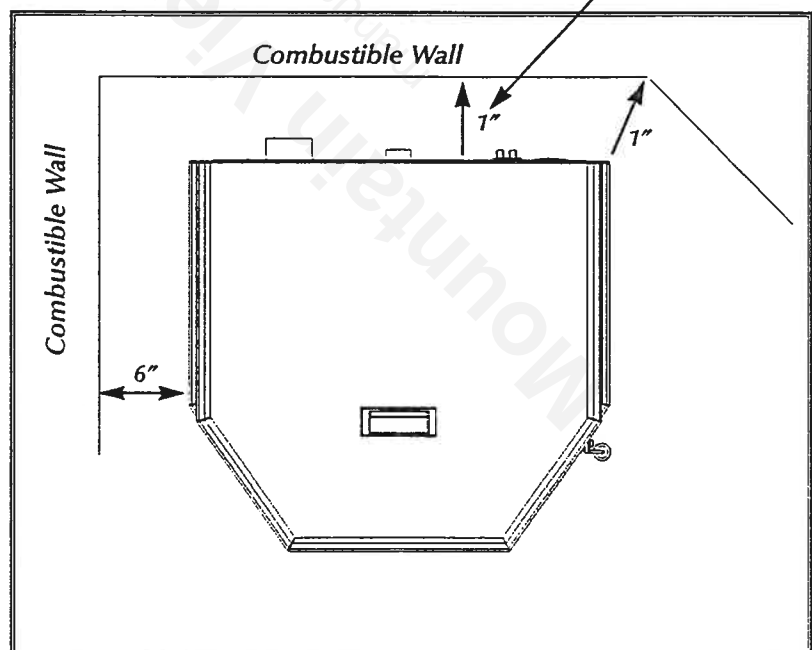
Floor/Hearth Pad

Floor Protection

Your Hearth trends pellet stove must be installed on a non-combustible protective floor pad of minimum 3/8" thickness material or a masonry hearth. The hearth or floor pad must extend a minimum of 6" in front of and from each side of the stove or to the nearest permitted combustible material if less than 6".

Clearances to Combustibles

(See Page 6) for clearances for your stove on the product Safety Label.



IMPORTANT:
It is 2" from the wall for the Traditions Pellet Stove.

Stove Vent Pipe/Intake Installation

IT IS RECOMMENDED THAT ONLY AN AUTHORIZED DEALER INSTALL YOUR PELLET STOVE. THE FOLLOWING INSTALLATION GUIDELINES MUST BE FOLLOWED TO ENSURE CONFORMITY WITH BOTH THE SAFETY LISTING OF THE STOVE AND LOCAL BUILDING CODES.

General guidelines for installing the exhaust system:

A 3 or 4 inch listed type "L" pellet vent exhaust system must be used for freestanding installations and attached (and sealed) to the pipe connector provided on the back of the stove. Use a 3-to-4 inch adapter or a 3-to-4 inch Tee in order to run 4 inch pipe.

The vent termination must be located no less than 48" (1.2m) from any opening through which flue gases could re-enter the building, (i.e. windows and doors) not less than 24" (.6m) from an adjacent building, and not less than 7' (2.2m) above grade when located near public walkways. The final termination of the exhaust system must be configured so that flue gases do not jeopardize the safety of people passing by, overheat combustible portions of nearby structures or enter the building. Keep brush, plants and shrubs at least 36" (.9m) away from vent termination. Since sparks may escape from the exhaust pipe of any stove, always use caution when positioning the vent pipe. (Refer to pipe manufacturer's instructions when installing and terminating the exhaust.) The vent pipe should be horizontal, never run the pipe in a downward manor.

Ninety-degree elbows accumulate fly ash and soot which reduces the exhaust flow and performance of the stove. Horizontal runs of pipe will collect fly ash as well. It is recommended that a single or double clean-out 'tee' be installed at every 90 degree turn so that fly ash can accumulate at the bottom of the 'tee'. If a 90 degree turn connects a vertical run of pipe to a horizontal run (as you follow the exhaust away from the stove), a tee is not required. At any other 90 degree turn, installation of a clean-out tee is recommended to permit periodic cleaning of both the horizontal and vertical runs of pipe.

Total length of horizontal vent must not exceed 10ft. (7.7m). See page 17.

CAUTION: *On all direct vent installations (short, horizontal runs); care should be taken when choosing a location for terminating the vent. (It is NOT recommended to directly vent the exhaust on the prevailing wind side of the house).*

"DO NOT INSTALL A FLUE DAMPER IN THE EXHAUST VENTING SYSTEM OF THIS UNIT"

"DO NOT CONNECT THIS TO A CHIMNEY FLUE SERVING ANOTHER APPLIANCE"

FIREPLACE INSERT:

- A 3" single-wall, stainless steel flexible or rigid exhaust pipe may be used for insert installations and must be attached to the stove with a single or double wall, stainless 'tee' with a clean-out cap. The stainless steel 'tee' can be inclined at 45 degrees to enable the vent to be centered on the stove, and allows the 'tee' to be cleaned out more easily without removing the stove.
- When venting into an existing chimney (masonry or factory built) the chimney must be cleaned, with all creosote, dust and ashes removed.
- The "L" vent or single wall stainless exhaust system must be installed so as to be GAS TIGHT! The vent manufacturer's installation procedures must be followed. In addition, pipe connections, joints and all pipe seams within the home should be sealed with room temperature vulcanizing, high temperature silicone sealer (RTV).

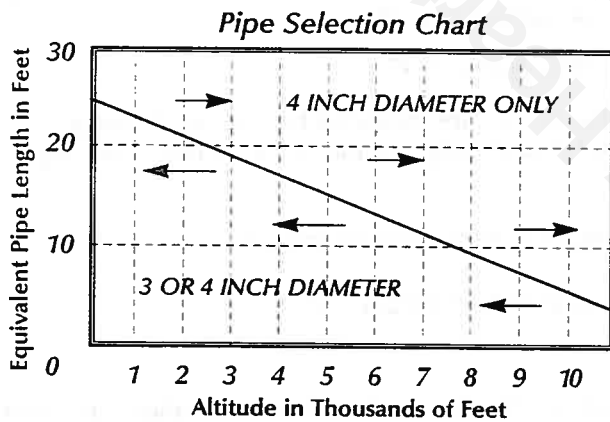
If an insert is to be installed into an unlined masonry chimney, it is required that the 3" or 4" rigid or flex pipe be extended to the top of the existing chimney. The top of the existing chimney should be sealed with a metal plate after the pellet vent has been installed.

Determining Equivalent Pipe Length

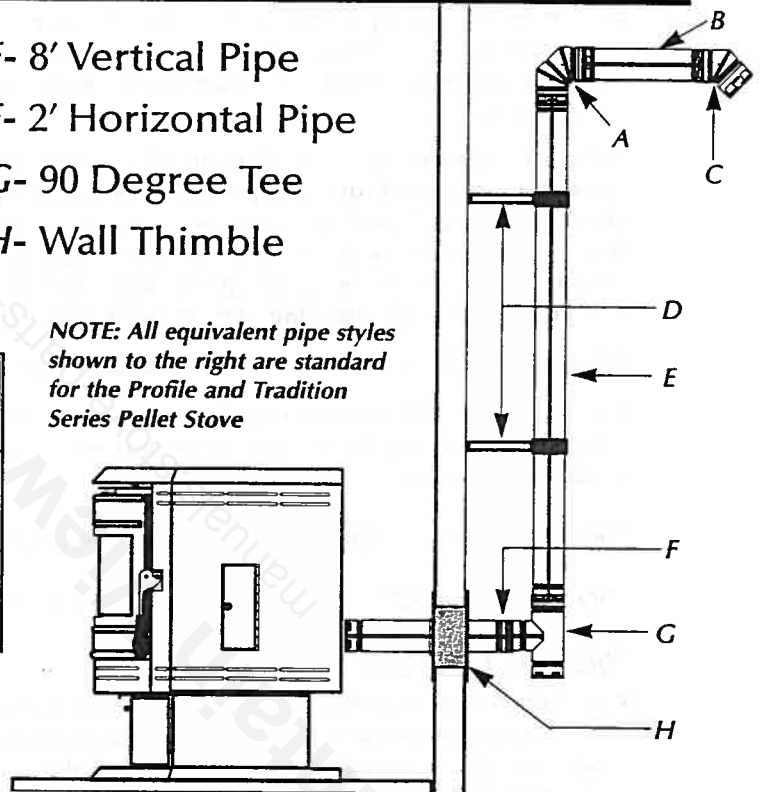
To determine whether a 3" or 4" exhaust system is required for your installation, review the sample installation below. Fill out the top chart, and calculate your total equivalent pipe length. After you have the total equivalent pipe length, use the chart at the bottom of the page to determine if your installation requires 3" or 4" exhaust pipe.

Type of Pipe	# of Elbows or Feet of pipe		Equivalent Feet	Total Equivalent Feet
90°	Elbows	x	5(1.5m)	
45°	Elbows	x	3(1m)	
Horizontal	Pipe	x	1(.3m)	
Vertical	Pipe	x	5(1.5m)	

- A- 90 Deg. Elbow
- B- 1' Horizontal Pipe
- C- 45 Degree Elbow
- D- Standoff Braces
- E- 8' Vertical Pipe
- F- 2' Horizontal Pipe
- G- 90 Degree Tee
- H- Wall Thimble



NOTE: All equivalent pipe styles shown to the right are standard for the Profile and Tradition Series Pellet Stove



Sample Installation Chart

Type of Pipe	# of Elbows or Feet of pipe		Equivalent Feet	Total Equivalent Feet
90° Elbows/Tee (A & G)	2	x	5 ft. (1.5m)	10 (3m)
45° Elbows (C)	1	x	3 ft. (1m)	3 (1m)
Horizontal Pipe (B&F)	3	x	1 ft. (.3m)	3 (1m)
Vertical Pipe (E)	8	x	.5 ft. (.15m)	4 (1.2m)

TOTAL: 20

Installing Your Freestanding Pellet Stove

STANDARD HORIZONTAL EXHAUST INSTALLATION

1. Locate the proper position for the listed type "L" wall thimble. Avoid cutting wall studs when installing your pipe. Use a saber saw or key hole saw to cut the proper diameter hole through the wall to accommodate the wall thimble. Use extreme caution to avoid cutting into power lines within the wall of the home. The hole size will depend on the brand of pellet vent that you are using. Install the wall thimble in the hole.

ALL INTERLOCKING PIPE CONNECTIONS WITHIN THE ROOM MUST BE SEALED WITH RTV AND SECURED WITH A MINIMUM OF 3 FASTENERS PER CONNECTION.

2. Position the stove approximately 12" (.3m) from the wall on the floor pad. Push listed type "L" pipe through wall thimble. Squeeze a bead of high temperature silicone (RTV) sealer around the end of the machined portion of the 3" (76mm) pipe connector on the back of the stove. Firmly push on a section of listed type "L" pipe until inner pipe liner pushes into the bead of RTV sealer.

3. Push the stove (with pipe attached) towards wall. Pipe will go through the wall thimble. Do not position the back of the stove closer than 1" (25mm) from the wall.

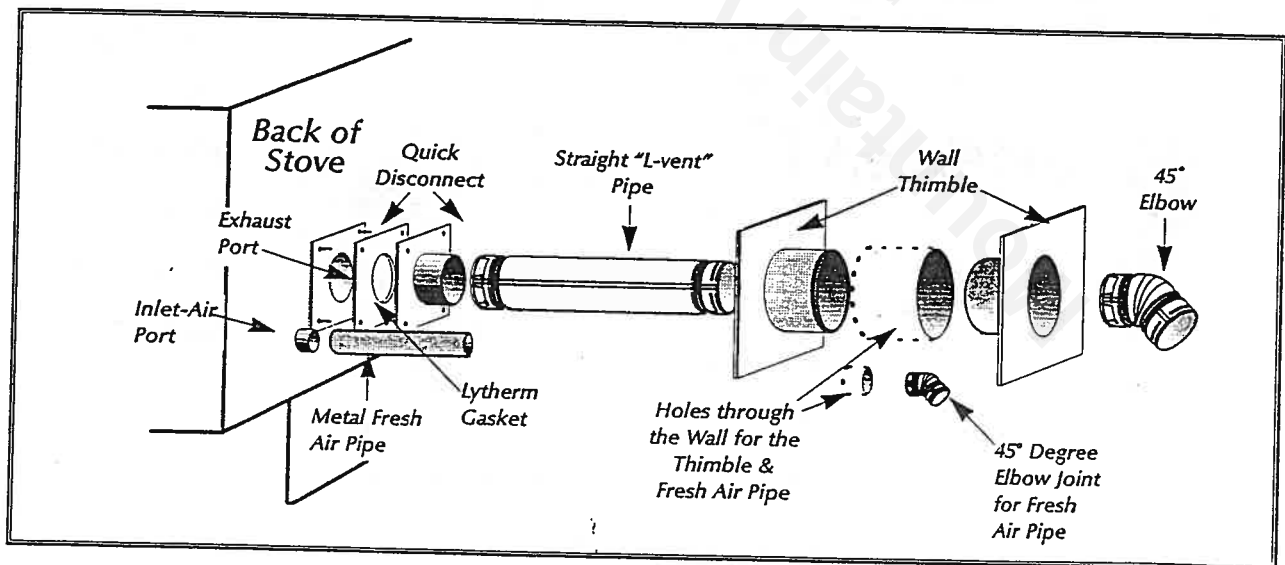
Note: Greater back clearance will improve the serviceability of the stove.

4. Install listed type "L" 45 degree elbow with rodent screen or cap (optional) on outside end of pipe. The rodent screen should be no less than 1/2" (13mm) mesh and may clog with soot and ash if left unattended during the burn season.

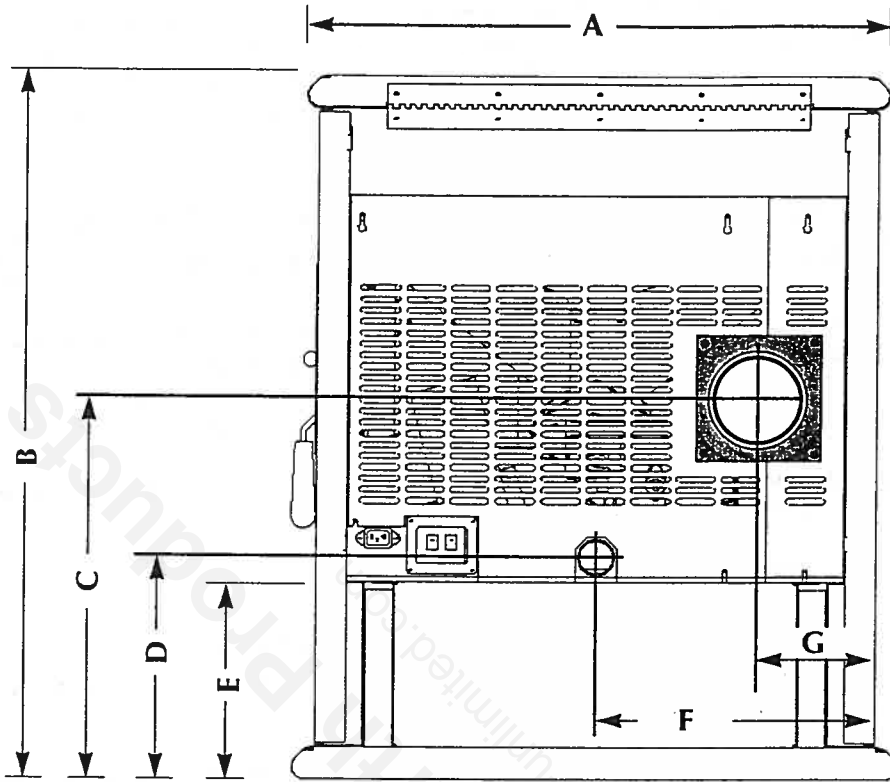
NOTE: The end of the exhaust pipe must extend a minimum of 12" (.3m) from the outside of the building.

5. If the installation includes a source of outside combustion air; cut a separate hole through the wall for the fresh air tube. This tube should be 1-5/8" (42mm) [min.] diameter, steel only. Connect outside air pipe to air inlet on stove. This tube must be terminated with a 90 degree elbow or hood.

NOTE: AIR MAY ALSO BE DRAWN FROM A VENTED CRAWL SPACE UNDER THE HOME. ALL JOINTS FOR CONNECTOR PIPE SHALL BE REQUIRED TO BE FASTENED WITH AT LEAST THREE SCREWS. IF VENTED HORIZONTALLY, JOINTS SHALL BE MADE GASTIGHT IN A MANNER AS SPECIFIED ABOVE. INSTALL VENT AT CLEARANCES SPECIFIED BY THE VENT MANUFACTURER.



Stove Dimensions (Profile)



PROFILE 20

A= 21 3/4"

B= 28 11/16"

C= 11 3/8"

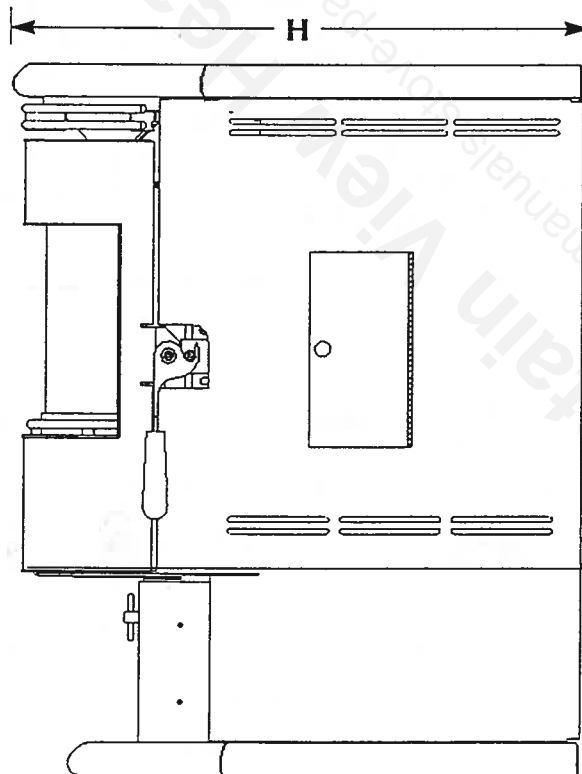
D= 11 13/16"

E= 8 1/2"

F= 14 5/8"

G= 6 11/16"

H= 22 3/8"



PROFILE 30

A= 25 7/8"

B= 31 3/8"

C= 17 1/8"

D= 10"

E= 8 3/4"

F= 12 3/8"

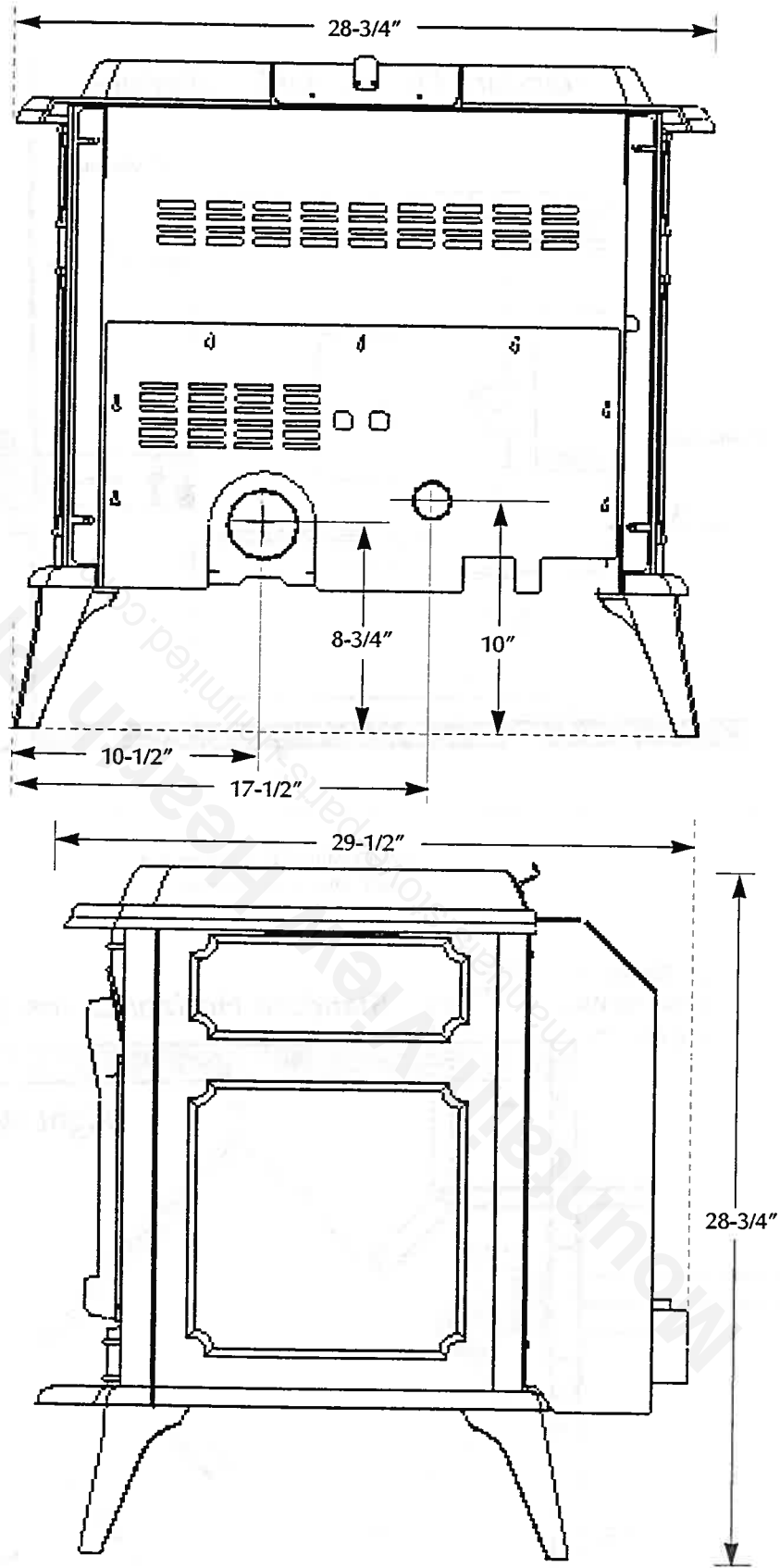
G= 5 3/16"

H= 25"

Dimensions Plus or Minus 1/4"

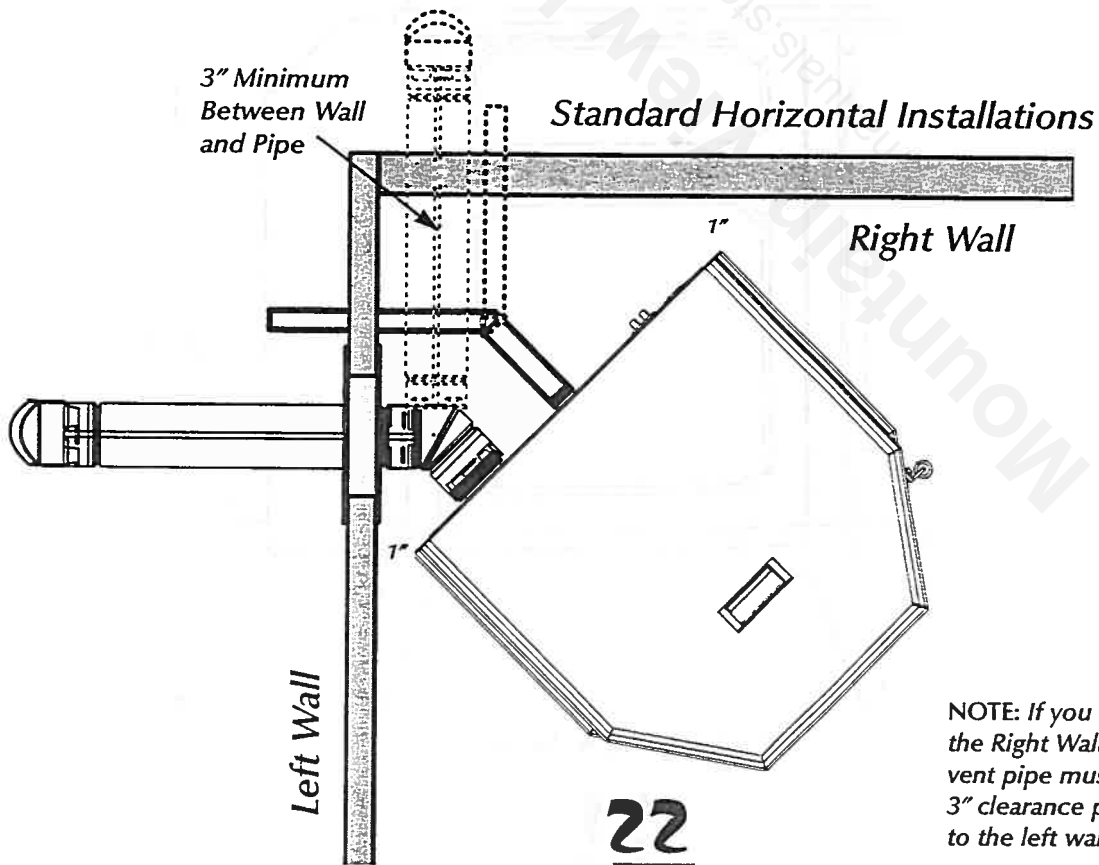
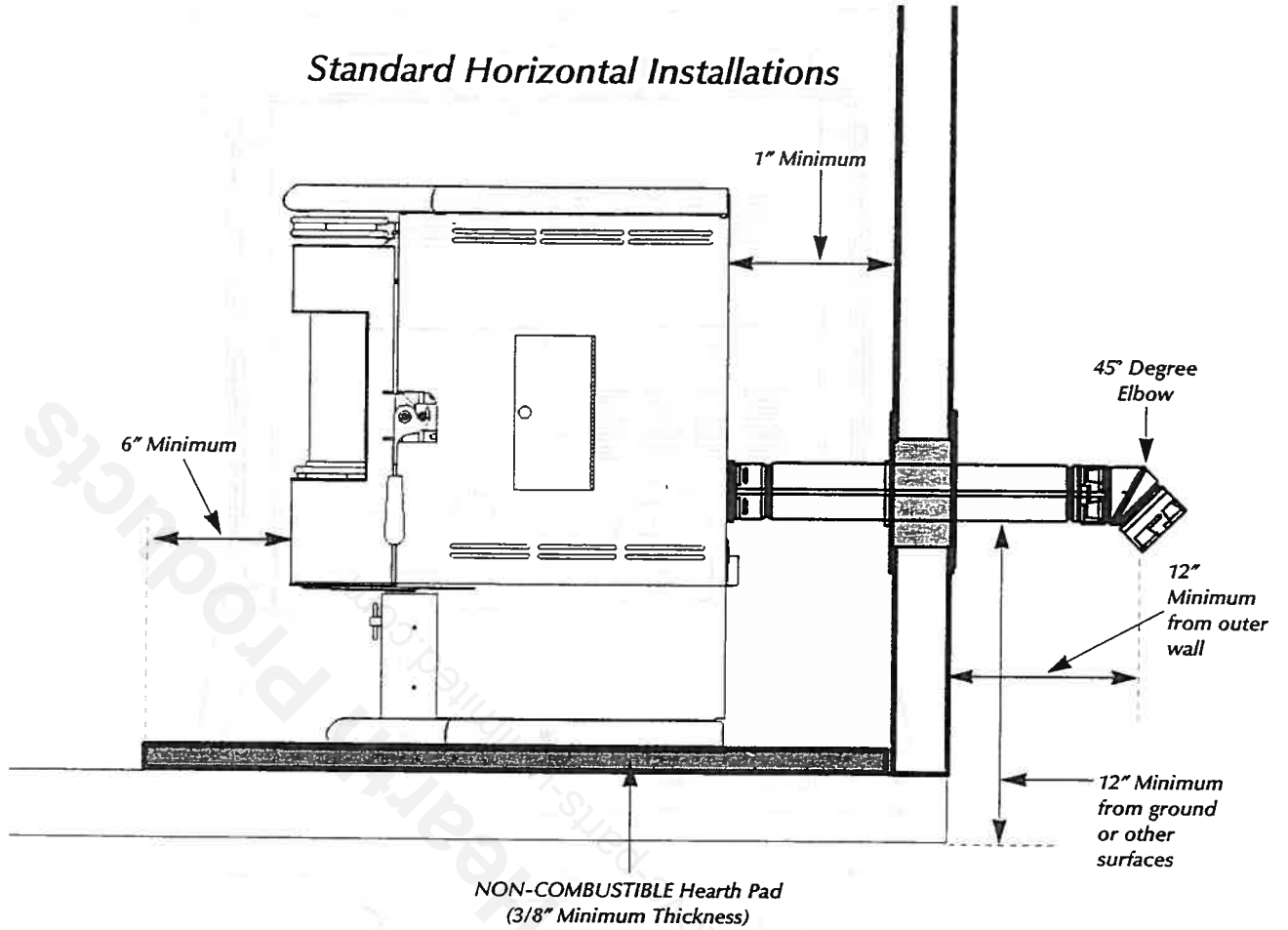
20

Stove Dimensions (Traditions)



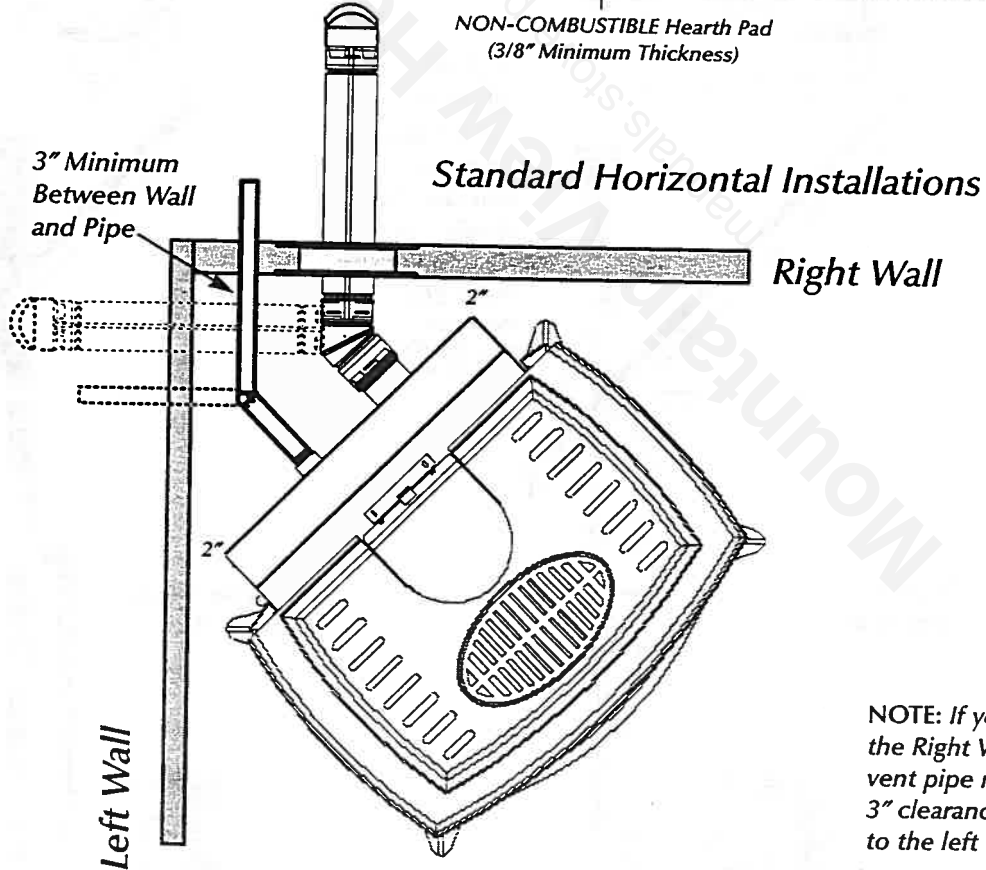
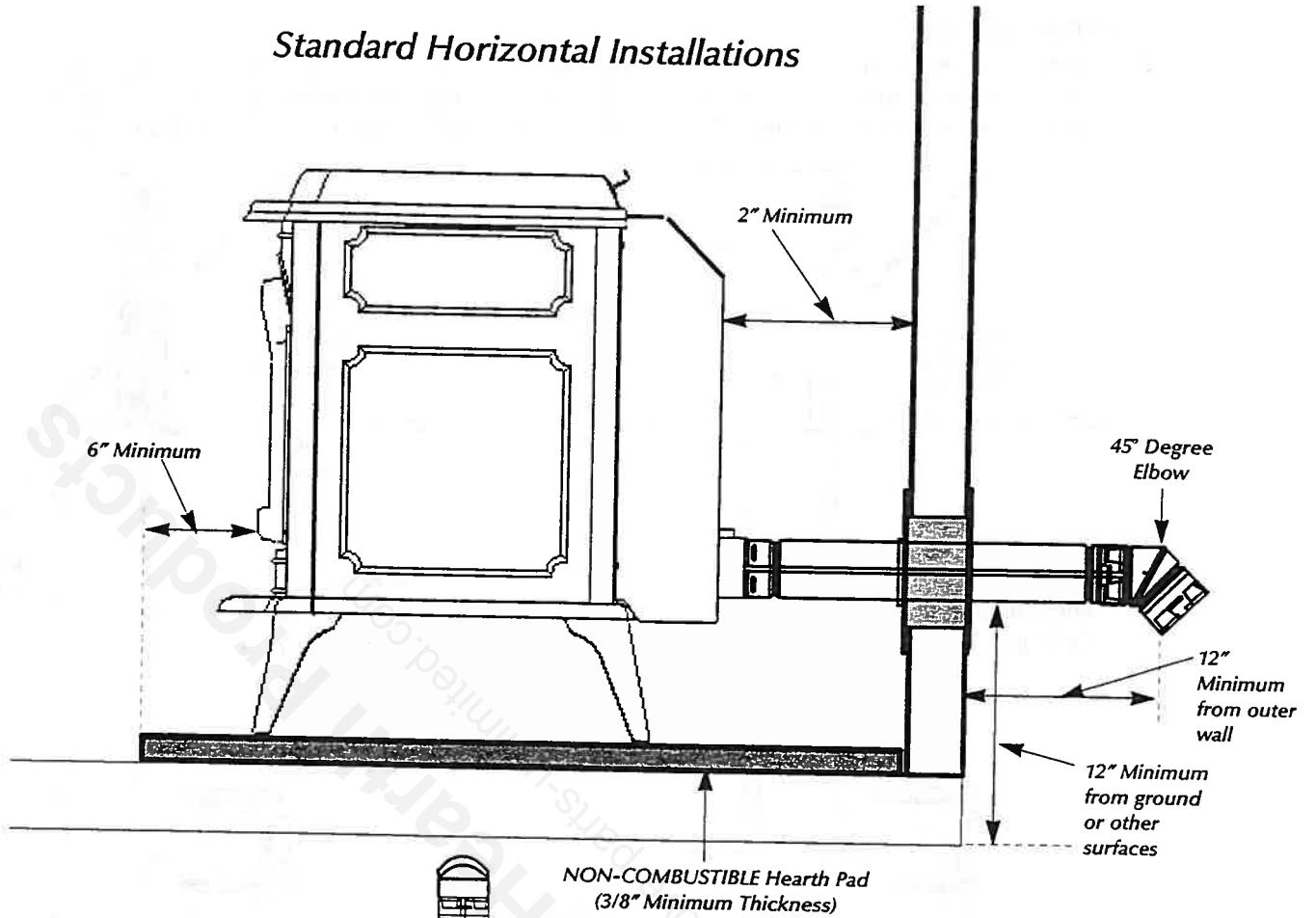
Dimensions Plus or Minus 1/4"

Installation Configurations (Profile)



Installation Configurations (Traditions)

Standard Horizontal Installations

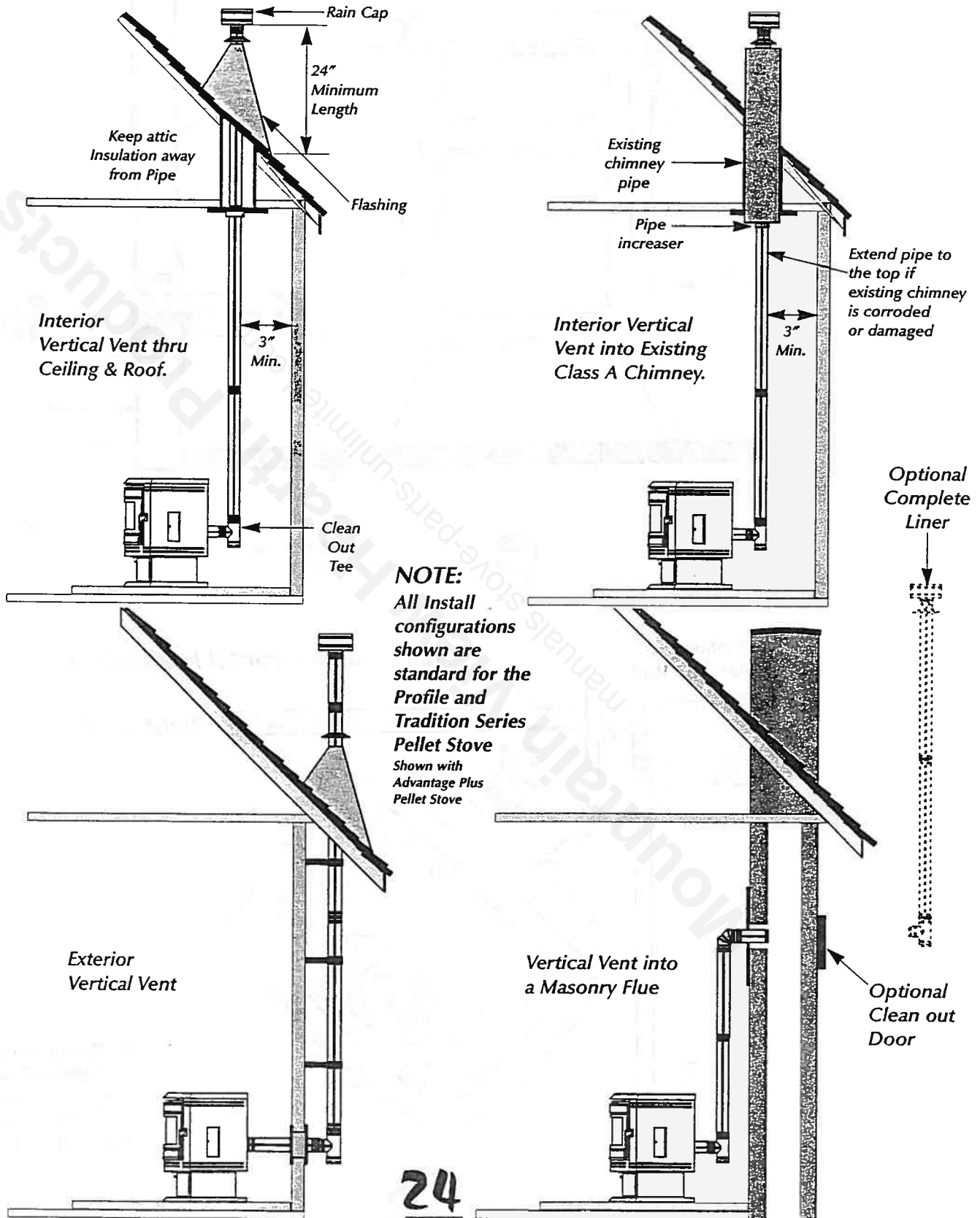


NOTE: If you vent to the Right Wall, the vent pipe must maintain a 3" clearance parallel to the left wall.

Installation Configurations (Cont'd)

Venting Options

The Hearth Trends Pellet Stove may be connected to an existing flue or by installing listed type "L" vent pipe. If a liner is run all the way to the top of the existing chimney, the existing flue should be sealed with a steel plate. Start a vertical run with a Tee at the back of the stove. Other options are illustrated below.



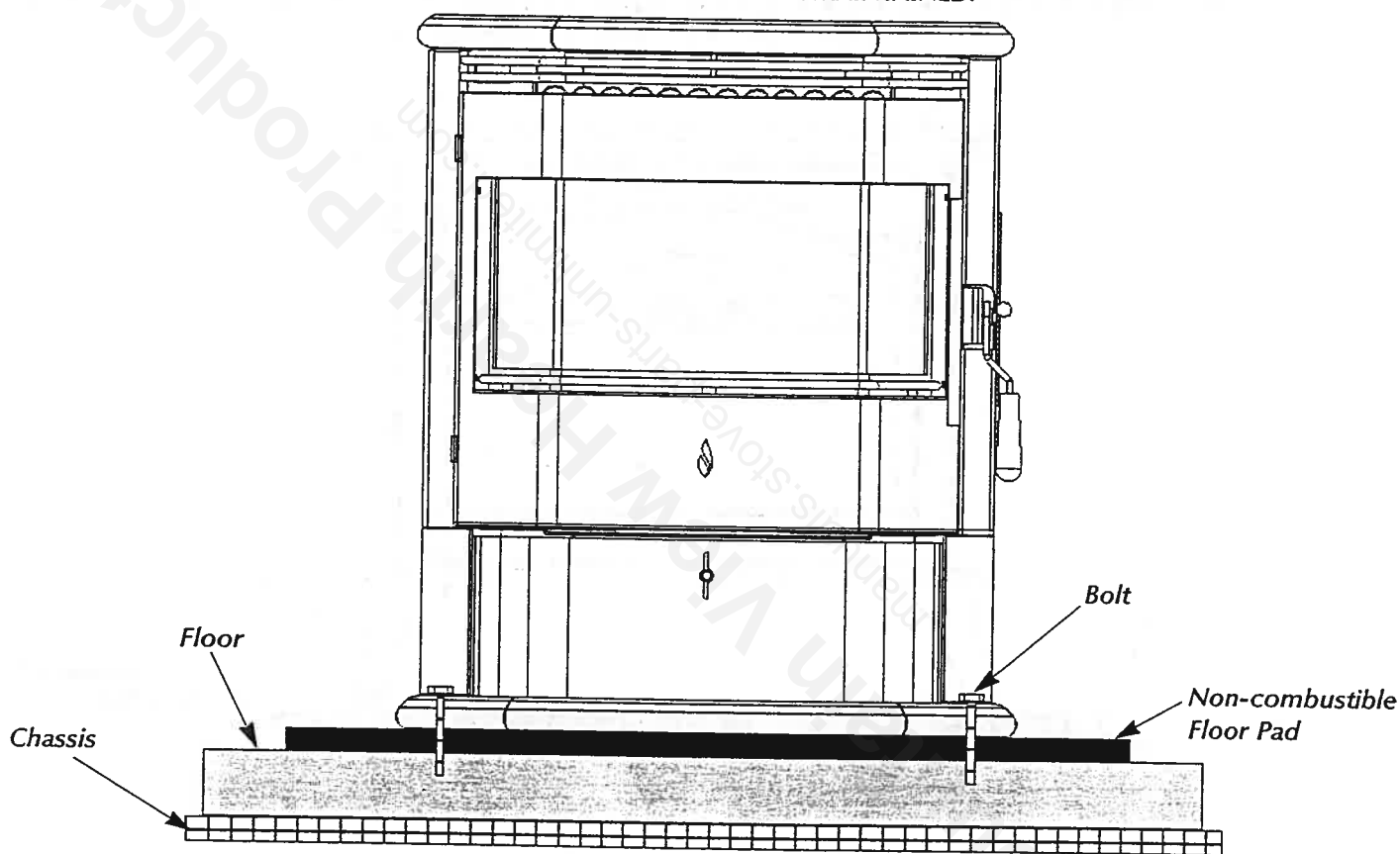
Mobile Home Installation (Profile)

IN ADDITION TO THE STANDARD INSTALLATION INSTRUCTIONS, THE FOLLOWING INSTRUCTIONS MAY BE REQUIRED BY LOCAL, STATE OR FEDERAL BUILDING CODES:

- Stove must be permanently bolted to the floor.
- Stove must have a permanent outside air source.
- Stove must be permanently electrically grounded to the steel chassis of the home. The location selected for ground attachment to the stove must be dedicated for this purpose.
- Refer to page 17 for list of commonly used vent components.
- NOTE: THE GROUNDING OF THIS PRODUCT, AT INSTALLATION, MUST COMPLY WITH NFPA-70 STANDARDS, CSA C22.1 IN CANADA, AS WELL AS ANY LOCAL CODES.

WARNING: DO NOT INSTALL IN A SPACE USED AS A BEDROOM.

CAUTION: THE STRUCTURAL INTEGRITY OF THE MANUFACTURED HOME FLOOR, WALL AND CEILING/ROOF MUST BE MAINTAINED.



MOBILE HOME EXHAUST VENT PIPE INSTALLATION GUIDELINES

Use only listed type "L" pellet vent pipe. Pipe should extend at least 3 feet above the part of the roof through which it passes. The top of the pipe should be at least 2 feet above the highest required elevation of any part of the mobile home within 10 feet of the pipe.

If exhaust vent exits the mobile home at a location other than the roof, and exits at a point 7 feet or less above the ground level on which the mobile home is positioned a guard or method of enclosing the pipe shall be provided at the point of exit for a height of up to 7 feet. The openings, if any, in this guard shall not allow a 3/4" rod to pass through. A 1/2" rod could pass through but should not be able to touch the pipe when inserted through the opening a distance of 4 inches.

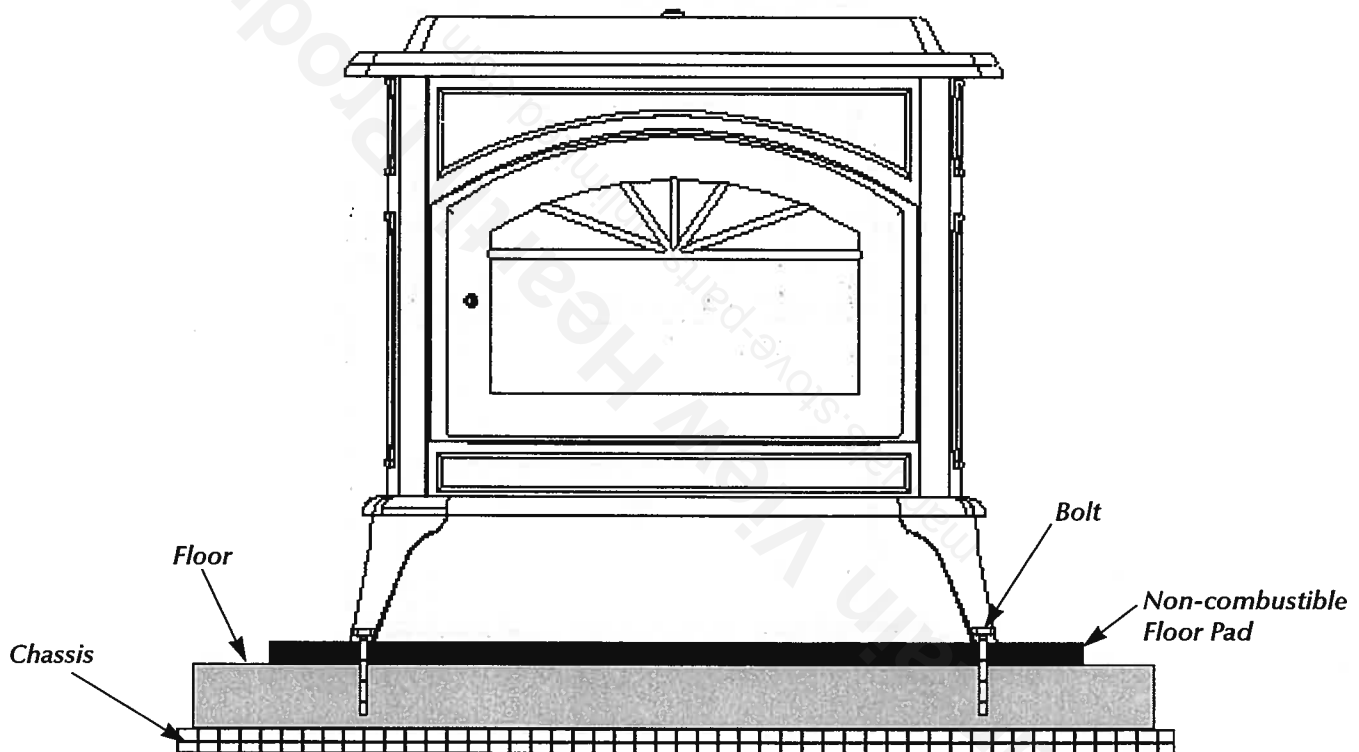
Mobile Home Installation (Traditions)

IN ADDITION TO THE STANDARD INSTALLATION INSTRUCTIONS, THE FOLLOWING INSTRUCTIONS MAY BE REQUIRED BY LOCAL, STATE OR FEDERAL BUILDING CODES:

- Stove must be permanently bolted to the floor.
- Stove must have a permanent outside air source.
- Stove must be permanently electrically grounded to the steel chassis of the home. The location selected for ground attachment to the stove must be dedicated for this purpose.
- Refer to page 17 for list of commonly used vent components.
- NOTE: THE GROUNDING OF THIS PRODUCT, AT INSTALLATION, MUST COMPLY WITH NFPA-70 STANDARDS, CSA C22.1 IN CANADA, AS WELL AS ANY LOCAL CODES.

WARNING: DO NOT INSTALL IN A SPACE USED AS A BEDROOM.

CAUTION: THE STRUCTURAL INTEGRITY OF THE MANUFACTURED HOME FLOOR, WALL AND CEILING/ROOF MUST BE MAINTAINED.



MOBILE HOME EXHAUST VENT PIPE INSTALLATION GUIDELINES

Use only listed type "L" pellet vent pipe. Pipe should extend at least 3 feet above the part of the roof through which it passes. The top of the pipe should be at least 2 feet above the highest required elevation of any part of the mobile home within 10 feet of the pipe.

If exhaust vent exits the mobile home at a location other than the roof, and exits at a point 7 feet or less above the ground level on which the mobile home is positioned a guard or method of enclosing the pipe shall be provided at the point of exit for a height of up to 7 feet. The openings, if any, in this guard shall not allow a 3/4" rod to pass through. A 1/2" rod could pass through but should not be able to touch the pipe when inserted through the opening a distance of 4 inches.

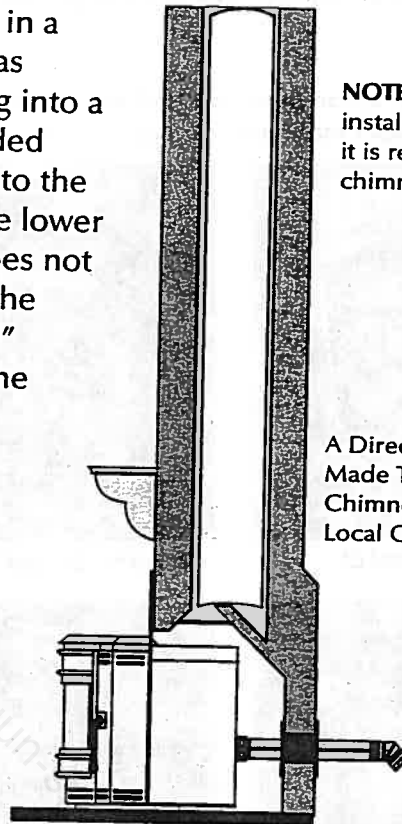
Installing Your Insert Pellet Stove

VENTING INTO AN EXISTING CHIMNEY

The Profile Insert may be installed in a masonry or factory built fireplace as shown to the right. When installing into a masonry chimney, it is recommended that the exhaust vent be extended to the top of the chimney as shown to the lower right. However, if the vent pipe does not extend to the top of the chimney, the pipe must extend a minimum of 18" above the damper. You must seal the damper area with a steel plate.

IMPORTANT NOTE!!

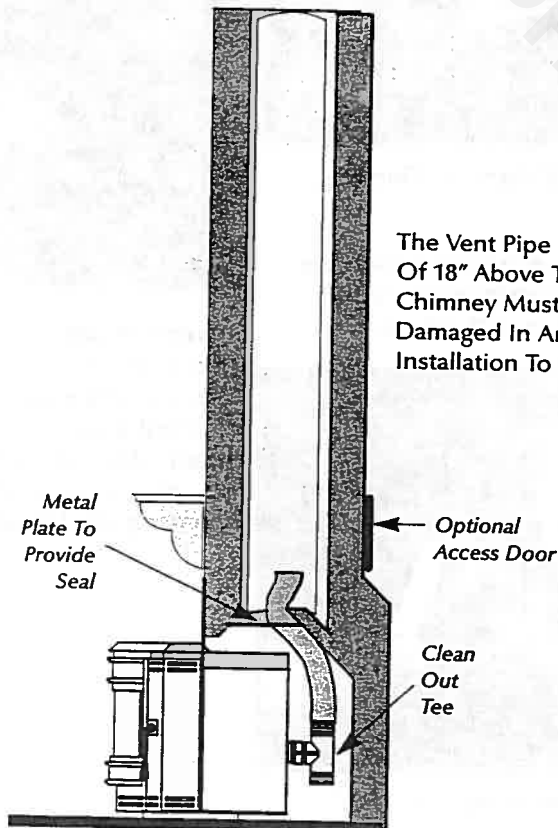
MAKE SURE THE CHIMNEY AND FIREBOX ARE CLEAN AND FREE OF SOOT AND ASHES BEFORE INSTALLATION BEGINS. FAILURE TO DO SO MAY RESULT IN THE TRANSFER OF SOOT INTO THE ROOM BY WAY OF THE CONVECTION FAN.



NOTE: For insert installation in Canada it is required that the chimney be fully lined.

A Direct Vent May Be Made Through The Chimney Structure If Local Codes Permit.

"Direct Vent"



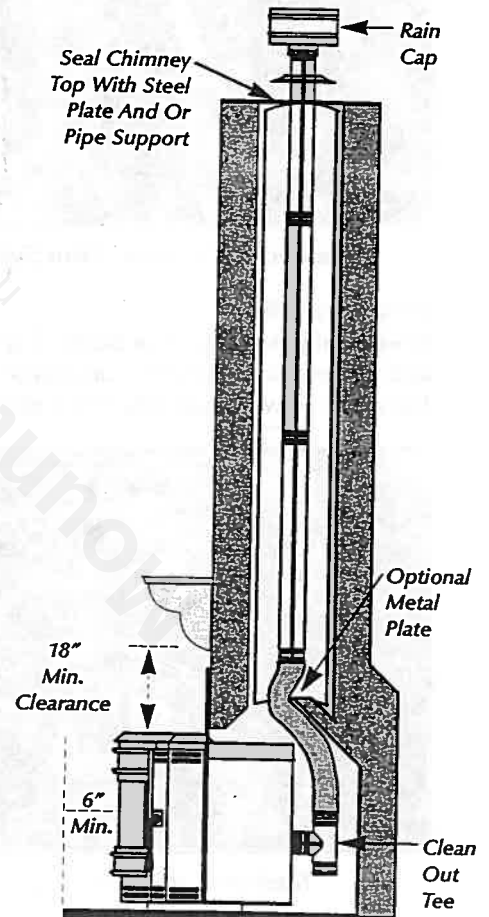
The Vent Pipe Must Extend A Minimum Of 18" Above The Damper. The Chimney Must Not Be Corroded Or Damaged In Any Way For This Type Of Installation To Be Permitted.

Metal Plate To Provide Seal

Optional Access Door

Clean Out Tee

"Direct Connection"
(Not Allowed In Canada)



Seal Chimney Top With Steel Plate And Or Pipe Support

Rain Cap

Optional Metal Plate

18" Min. Clearance

6" Min.

Clean Out Tee

"Full Chimney Reline"
Recommended for ALL Chimney installations

Routine Maintenance

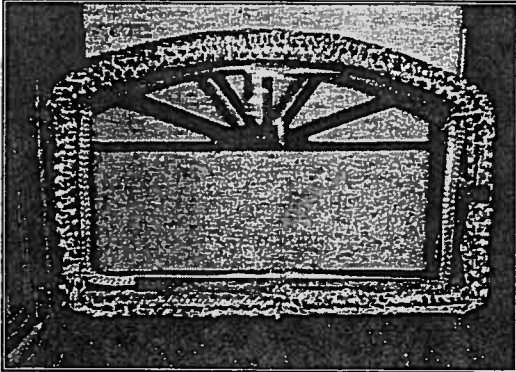
UNPLUG STOVE BEFORE PERFORMING ANY MAINTENANCE WORK

The following areas need to be inspected as part of routine maintenance:

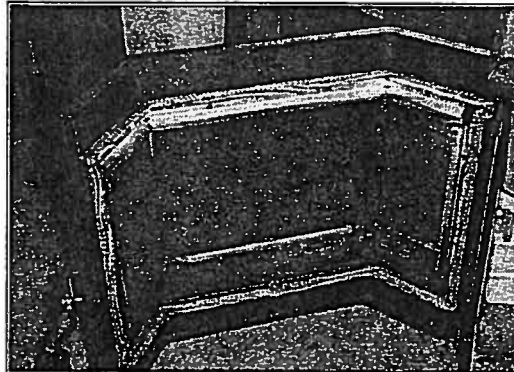
Door Rope Gasket:

The condition of the rope gasket around the door and windows should be checked periodically and replaced or repaired if necessary. A one inch strip of paper may be used to perform a test of the integrity of the door seal. Close the door on the

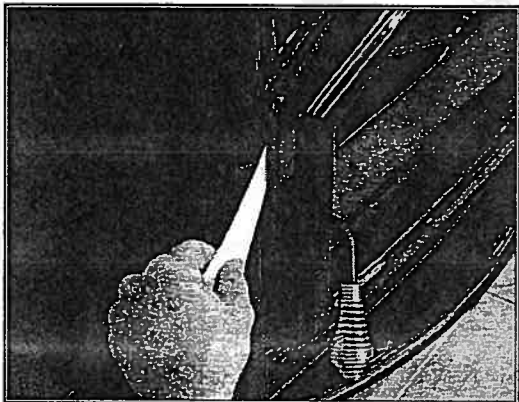
paper in several different locations and pull. It is normal to feel only a slight amount of friction. The door gasket does not need to be "tight" in all areas, since a small amount of leakage is not hazardous or detrimental to the performance of your stove.



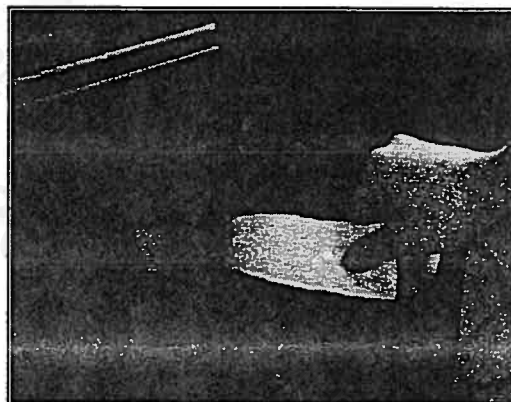
Traditions Door Rope Gasket



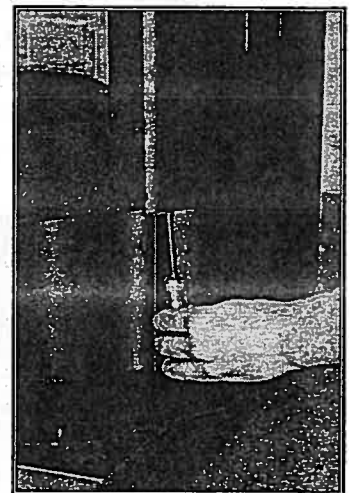
Profile 20 and 30 Door Rope Gasket



Traditions Checking Door Seal

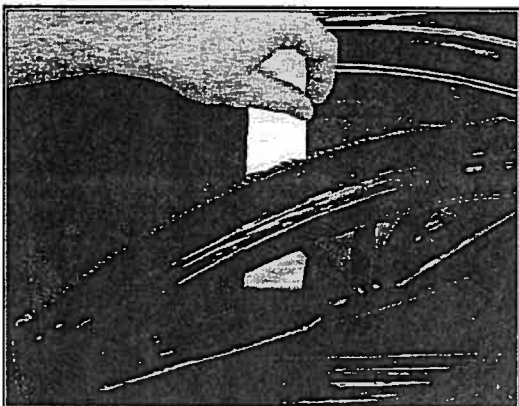


Profile 20 and 30 checking Door Seal

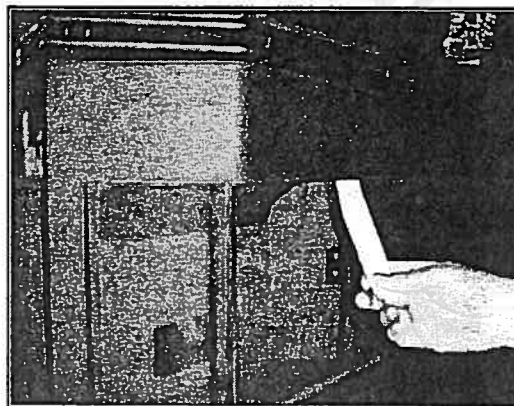


Profile-20 and 30

Using a 5/16" nut driver remove screw from underneath the side panel at the front edge. Reinstall screw to prevent panel from opening accidentally!



Traditions Window Wash



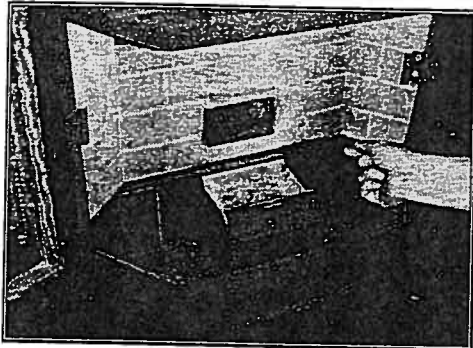
Profile 20 and 30 Window Wash

Routine Maintenance (con't)

UNPLUG STOVE BEFORE PERFORMING ANY MAINTENANCE WORK

Exhaust Passages and Vent Pipe:

Inspect frequently and clean when necessary. Fly ash will accumulate at all bends in the exhaust system. *Note:* Large amounts of fly ash build-up will create a lack of combustion air. Removing the Tee cap on vertical installations will allow an inspection of the ash build-up in the exhaust Tee and will help you to decide how frequently more extensive cleaning must be performed.



Profile 20 and 30

Profile 30 Only: Make sure stove is cold. Ash clean outs must be cleaned as part of routine maintenance. Loosen screws (1 per clean-out) and lift plate out. Use an approved ash vacuum or brush to remove ash. After cleaning, replace clean-out plates and tighten screws.

Plates Must Be Installed When Operating Unit.

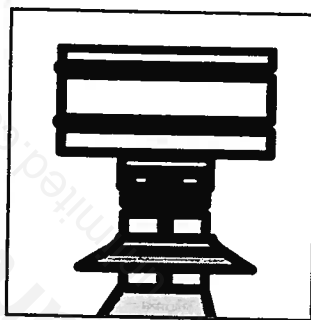
Motor Lubrication:

THE BLOWERS ARE PERMANENTLY LUBRICATED BY THE MANUFACTURER.

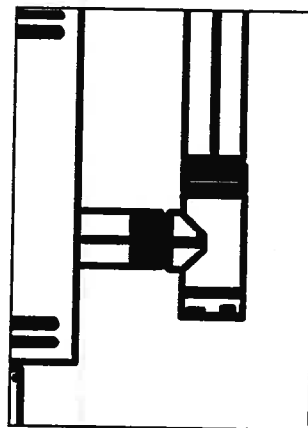
Do Not Apply Oil To Any Part Of The Blower, Doing So May Cause Damage.



Profile 20 and 30



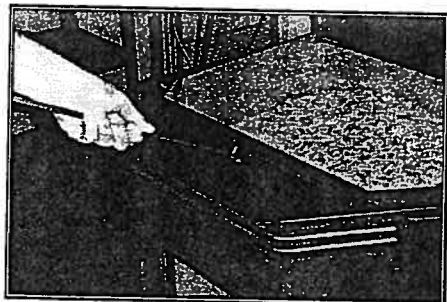
Rain Cap



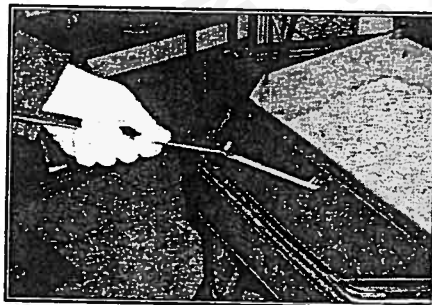
Clean Out Tee

Rear Stove Compartment:

The rear stove compartment should be cleaned periodically (a minimum of once a year.) **DISCONNECT ELECTRICAL CORD PRIOR TO CLEANING STOVE.** Any household dust, pet hair or sawdust should be vacuumed or wiped out of the rear compartment of the stove, Freestanding or Fireplace Insert model. The electrical components should be wiped clean.



Profile Series Heat Exchanger Tube

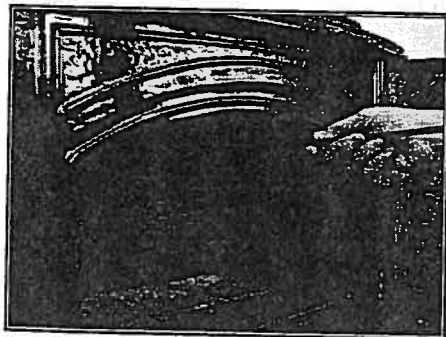


Profile Series Heat Exchanger Tube

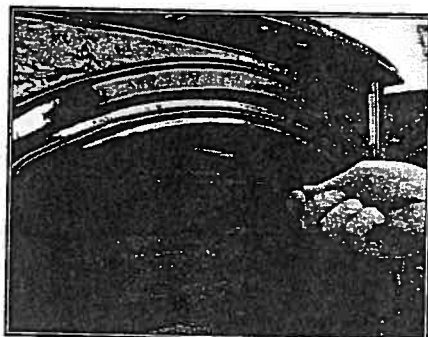
HEAT EXCHANGER TUBES

(TRADITIONS): ONLY CLEAN HEAT EXCHANGER TUBES AFTER STOVE HAS COOLED DOWN. A rod located above the Heat Exchange Baffle (inside of firebox) is used for cleaning the tubes. After opening the firebox door, use the hole in the handle of the Grate Scraper Tool to "grab" onto the rod. Using the Grate Scraper Tool, pull the rod up and out towards the opening of the firebox. Continue pulling until the Tube Scraper reaches the top of the firebox. Repeat 2-3 times to remove fly ash from the heat exchange tubes.

It may be easier to clean the tubes by first removing the heat exchanger baffle. Loosen the two screws holding the baffle in place (do not fully remove). The baffle contains keyhole slots allowing the screws to remain in place while removing the baffle. The scraper can now be pulled in a more horizontal manner, which allows the scraper to move more freely.



Traditions Heat Exchanger Tube



Traditions Heat Exchanger Tube

APPENDIX A

TROUBLE-SHOOTING

Unplug Stove Before Performing any Maintenance work

PROBLEM	CAUSE(S)	SOLUTIONS
<p>Fire burns with a lazy orange flame. Pellets build up in the grate and the window gets sooted up.</p>	<p>There is insufficient combustion air.</p>	<p>Remove any clinkers or ash from the bottom of the grate that might be obstructing the primary air holes.</p> <p>Change to a better grade of fuel if necessary.</p> <p>Check that the damper has been opened enough for the amount of fuel feed.</p> <p>Check that the heat exchange tubes are not coated with ash.</p> <p>Clean internal exhaust ducts.</p> <p>Check gasket seal around the door. Use a thin strip of paper, 1 in. wide. Open the door and close it on the paper strip. A slight friction should be felt when the paper strip is pulled. Repeat this process at various locations around the door gasket. Replace the door gasket if necessary</p> <p>Check for blockage in the air inlet tube or exhaust pipe. Clean as necessary.</p> <p>Close ash slide plates.</p> <p>Have your Hearth Trends dealer check your combustion blower.</p>
<p>Fire goes out or stove shuts down automatically</p>	<p>The hopper is empty</p>	<p>Refill hopper.</p>
	<p>Pellets are not feeding.</p>	<p>See (Pellets will not feed) next page.</p>
	<p>The high limit temperature switch has tripped.</p>	<p>Allow stove to cool for 1 hour and re-light. If the stove has been</p>

APPENDIX A

TROUBLE-SHOOTING (CONT'D...)

Unplug Stove Before Performing any Maintenance work

PROBLEM	CAUSE(S)	SOLUTIONS
Fire goes out or stove shuts down automatically (con't)		<i>(Con't from page 30)</i> operating at a medium to high burn rate and the convection fan has been turned down low then the fan should be turned up higher. If this problem persists (particularly at lower burn rates) then the high limit snap switch should be replaced by your certified Hearth Trends dealer.
	There is too much combustion air for the amount of fuel.	Adjust the damper to reduce combustion air flow.
Pellets will not feed.	The hopper is empty.	Refill hopper.
	The auger motor or circuit board may be defective. The pressure switch tap or hose may be blocked.	Check to be sure that there is no blockage in the pressure tap or hose. Have your certified Hearth trends dealer diagnose the problem and clean or replace any necessary parts.
	Back pressure in venting tripping pressure switch.	If new installation check for excessive 90° bends, long horizontal runs or excessive vertical run of 3" pipe. Possibly change to 4" pipe. If older installation check for excessive ash accumulation in pipe or other obstructions. Clean out pipe.
	Thermostat is in stand-by mode.	Check to see if thermostat is set to low or if sun is shining directly on thermostat.
	Thermostat wires disconnect.	Re-install wires.
	High limit switch may have been tripped.	Allow stove to cool. Increase convection blower setting.

APPENDIX A

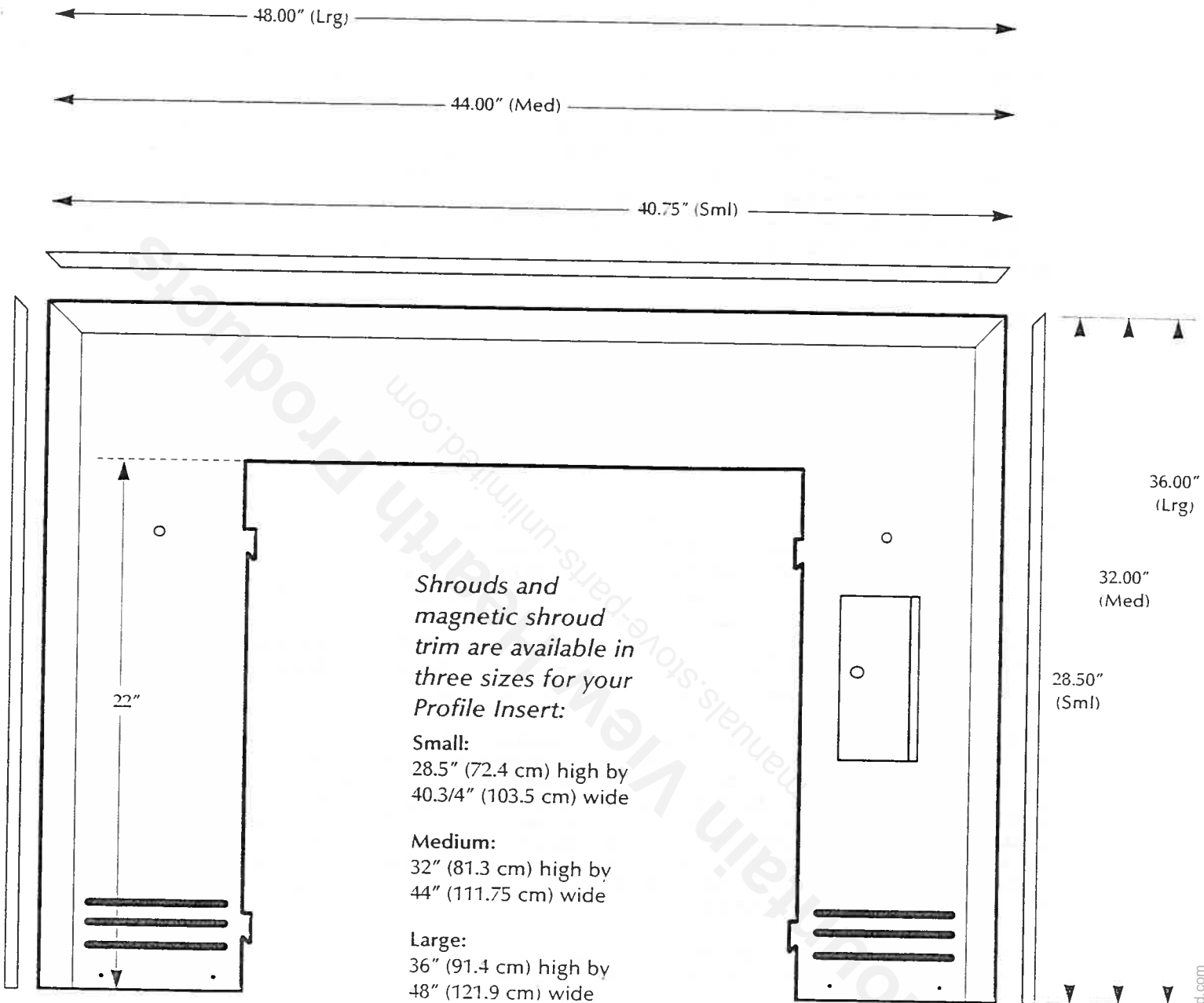
TROUBLE-SHOOTING (CONT'D...)

Unplug Stove Before Performing any Maintenance work

PROBLEM	CAUSE(S)	SOLUTIONS
Blowers will not operate when the start switch is depressed.	<p>There is no power to the stove.</p> <p>There is no power to the control board.</p>	<p>Check that the stove is plugged in to the wall outlet.</p> <p>Check to see if your circuit breaker has tripped.</p> <p>Check the wire connections on the high limit snap switch and Control board.</p>
There is soot or fly ash in the house.	The window is being cleaned when the stove is operating.	Turn down the convection fan or turn off stove before cleaning to prevent dispersion of ash and soot into the room.
	There is leakage at the joints between the combustion fan, connection or exhaust pipe connections. This will be evidenced by dust on the impeller of the convection fan, and in the heat exchanger area.	Seal up any leaks in the exhaust system with room temperature vulcanizing silicone sealer (RTV).
	The vacuum cleaner is leaking.	DO NOT use a standard household vacuum or "shop vac" as the filters will leak the fine particles of ash. Clean the stove with an approved Ash Vacuum ONLY.
Stove acts as if a fire is present when there is not a fire in the grate.	Excessive sun light may be shining directly into firebox from window.	Block excessive sun light. Call dealer if problem persists.
Stove will not light.	The igniter element may have failed.	Check igniter element fuse in rear stove compartment. Call Hearth Trends Dealer. See alternate manual lighting procedure in APPENDIX F.

APPENDIX B

SHROUD PANEL ACCESS



APPENDIX C

WARRANTY

THIS WARRANTY IS ISSUED BY Hearth Trends Inc. (MANUFACTURER)
AND EXTENDS ONLY TO THE ORIGINAL PURCHASER OF THIS PRODUCT.

The Manufacturer provides a five year limited warranty on all steel parts (except the grate), and a 2 year limited warranty on all electrical components. These warranties extend from the date of the original purchase. There is expressly no warranty on the following components: glass window, Fiberglass rope gaskets, firebrick, grate, paint, exterior brass or enamel finish. This warranty covers defects in materials and workmanship in covered components, provided the product has been installed and operated strictly in accordance with Manufacturer's printed instructions. This warranty does not cover damage or breakage caused by improper handling, misuse or unauthorized modification. Without limiting the foregoing, the use of fuels other than pelletized wood will void all warranties and liabilities. All claims under this warranty must be made in writing to the Manufacturer at Hearth Trends Inc., 695 Pease Road, Burlington WA, 98233 and should include the following:

1. Name, address, and telephone number of servicing dealer.
2. Name, address, and telephone number of purchaser.
3. Date of purchase.
4. Model & Serial number of stove.
5. Nature of the defect, malfunction and/or complaint. Local representatives are to inspect parts and or stoves. If the inspection indicates that the failure was due to defective material or workmanship in covered components and that the other terms and conditions of this warranty have been complied with, the Manufacturer's sole duty and liability under this warranty shall be limited to the Manufacturer's replacement or repair, at Manufacturer's option, of the defective stove or part. The purchaser shall assume all costs of shipping to and from the Manufacturer and shall be responsible for all losses during shipment if the stove is not defective. If a stove is found to be defective by the Manufacturer, shipping costs will be reimbursed. Removal and reinstallation costs are not covered under this warranty.

NEITHER THE MANUFACTURER, NOR THE SUPPLIER TO THE PURCHASER, ACCEPTS RESPONSIBILITY, LEGAL OR OTHERWISE, FOR INCIDENTAL OR CONSEQUENTIAL DAMAGE TO PROPERTY OR PERSONS RESULTING FROM THE USE OF THIS PRODUCT. ANY WARRANTY IMPLIED BY LAW, INCLUDING BUT NOT LIMITED TO IMPLIED WARRANTIES OF MERCHANTABILITY OR FITNESS, SHALL BE LIMITED TO ONE YEAR FROM THE DATE OF ORIGINAL PURCHASE. WHETHER A CLAIM IS MADE AGAINST THE MANUFACTURER BASED ON A BREACH OF THIS WARRANTY OR ANY OTHER TYPE OF WARRANTY, EXPRESSED OR IMPLIED BY LAW, MANUFACTURER SHALL IN NO EVENT BE LIABLE FOR ANY SPECIAL, INDIRECT, CONSEQUENTIAL OR OTHER DAMAGES OF ANY NATURE WHATSOEVER IN EXCESS OF THE ORIGINAL PURCHASE PRICE OF THIS PRODUCT. ALL WARRANTIES BY MANUFACTURER ARE SET FORTH HEREIN AND NO CLAIM SHALL BE MADE AGAINST MANUFACTURER ON ANY ORAL WARRANTY OR REPRESENTATION.

Some states or countries may not allow the exclusion or limitation of consequential damages, or limitations of implied warranties, so the limitations or exclusions set forth in this warranty may not apply to you.

This warranty gives you specific legal rights and you may also have other rights which vary from different states or countries.

APPENDIX D

REPLACEMENT PARTS

<i>Common To Traditions, Profiles 20 & 30</i>		<i>Profile 30 (Freestand-FS, Insert-IN, Common-C)</i>	
#11756300	Auger	#11750011	Brick Clips-C
#12051263	Ultragrate Replacement	#17250241	Auger Flange-C
#12050011	Combustion Blower	#12146402	Replacement Glass-C
#12146109	Convection. Hardwasher. Blower	#61057100	Gasket. Door. 1/2" Rope (7ft.)-C
#12046300	Auger Motor	#14750070	Side Panel. LHS-FS
#12050815	Wiring Harness	#14750075	Side Panel. RHS-FS
#12145903	Pressure Switch	#14750060	Top Panel-FS
#12058820	Power Cord	#14750150	Rear Panel-FS
#19050196	Photoeye	#14750340	Side Panel. LHS-IN
#12147705	Snapswitch, 250 DG. 60T21	#14750345	Side Panel. RHS-IN
#61050003	Auger End Plate Gasket, 5pc.	#14750300	Top Panel-IN
#61057203	Convection fan Gasket, 5pc.	#14750057	Trim Set. Nickel-C
#61050005	Comb. Fan Gasket, 5pc.	#14750056	Trim Set. Gold-C
#12041300	Auger Collar & Screw set (3 pieces)	#61050016	Gasket. Quick Disconnect 5pc.-C
#12050111	Combustion Fan (Motor Only) Kit	#14756100	Shroud. Standard-IN
#12140213	Igniter Replacement	#14757100	Shroud. Medium-IN
#16050205	Thermostat	#14758100	Shroud. Large-IN
#61050041	Gasket. Comb. Blower (Motor Only) 5pc.	#19350007	Trim. Standard Shroud. Gold-IN
#12050093	Quick Disconnect 3" Vent Side	#19350009	Trim. Medium Shroud. Gold-IN
#12055500	Grate Scraper	#19350008	Trim. Large Shroud. Gold-IN
<i>Traditions Only</i>		<i>Profile 20 (Freestand-FS, Insert-IN, Common-C)</i>	
#11750015	Firebrick set	#14650001	Firebrick Set-C
#11750003	Door Handle Assembly, Kit	#17150095	Door Handle-C
#12055912	Control Board	#16053941	Control Board-C
#20959999	Door. Glass	#61057202	Gasket. Glass (10ft.)-C
#61057208	Glass Gasket (4')	#14650047	Hinge Bracket-C
#61057102	Gasket. Door. 3/4" Rope. (5 ft.)	#13640028	Brick Clips-C
#11750011	Brick Clips (2 clips)	#17250241	Auger Flange-C
#20950100	Rear Panel Assembly	#12050021	Replacement Glass, Side (1pc.)-C
#20950205	Hopper Lid Asm, Kit	#12050020	Replacement Glass. Front-C
#20950110	Gasket. Quick Disconnect	#61057100	Gasket. Door. 1/2" Rope (7ft.)-C
#17150029	Damper Rod Asm. Kit	#14650003	Side Panel. LHS-FS
#20950087	Auger. Flange	#14650004	Side Panel. RHS-FS
#20951000	Trivet. Gold Plated	#14650001	Top Panel-FS
#20751075	Leveler Legs (2pc.)	#14650048	Rear Panel-FS
#26021	Touch Up Paint. (Green)	#14650340	Side Panel. LHS-IN
#26022	Touch Up Paint. (Black)	#14650345	Side Panel. RHS-IN
#26023	Touch Up Paint (Almond)	#14650300	Top Panel-IN
<i>Profile 30 (Freestand-FS, Insert-IN, Common-C)</i>		#14650057	Trim Set. Nickel-C
#14750015	Firebrick Set-C	#14650056	Trim Set. Gold-C
#17150095	Door Handle-C	#61050016	Gasket. Quick Disconnect 5pc.-C
#16052112	Control Board-C	#14650316	Shroud. Standard-IN
#61057208	Gasket. Glass (4ft.)-C	#14650315	Shroud. Large-IN
#14750021	Hinge Bracket-C	#19350007	Trim. Standard Shroud. Gold-IN
		#19350008	Trim. Large Shroud. Gold-IN

APPENDIX E

MANUAL LIGHTING PROCEDURE

Although your pellet stove is equipped with an automatic ignition system it is possible to light and run your stove if the electric igniter should ever fail. If your automatic ignition system should ever malfunction it is recommended that you contact your Hearth Trends Dealer for trouble shooting and/or repair. If it is ever necessary to light and run your stove manually, the following procedures should be followed:

If your stove is set up to run on a thermostat the thermostat circuit needs to be closed as if permanently in the demand mode. The thermostat wires should be removed from the rear of the stove and replaced with the red jumper wire originally supplied with your stove. If a jumper wire is not available the thermostat should be set to the highest setting. This will keep the stove in the demand mode.

MANUAL LIGHTING

1. Press the **ON** switch on the control panel.
2. Wait approximately 2 1/2 minutes while the pellets prime the grate (the pellets will stop feeding automatically).
3. Place a small amount of an approved fire starter on top of the pellets in the grate, (see your dealer for appropriate fire starting products). **DO NOT USE FLAMMABLE LIQUIDS TO START YOUR STOVE!**
4. Light the fire started with a match and close the door.
5. The photoelectric eye will detect that the flame is present and will begin feeding pellets in approximately 2 minutes.
6. The control panel will continue to go through the normal start up routine and the flame should be well established within 10 minutes of when the **ON** button was initially pressed. **Remember** – you are now in manual mode and heat settings should be selected to the desired room heat level.

TURNING OFF YOUR STOVE

Press the stove **ON/OFF** switch on the control panel to shut down your stove. The control will initiate the shutdown procedure and safely shut down your stove.

Mountain View Hearth Products
manuals.stove-parts-unlimited.com



BY

HEARTH TRENDS INC.

Hearth Trends Traditions & Profile Owners Operation Manual

Part Number 20922000 IR

© 2000 Hearth Trends Inc.

Mountain View Hearth Products
manuals.stove-parts-unlimited.com

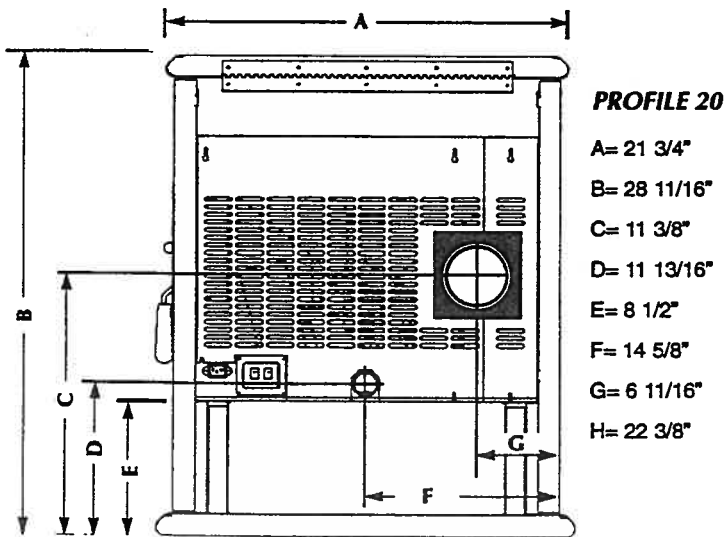
INSTALLATION MANUAL CORRECTION ADDENDUM OCTOBER 11, 2000 MODEL: PROFILE 20 - FREESTANDING

The following correction affects Installation/Operation manual part number 20922000 with a revision "IR". Manuals with a Revision A (October 2000) or later have this correction. Note: The manual revision date is printed on the back cover page at the bottom.

The stove component configuration and dimensions shown (on page 20) are incorrect

Profile 20 – Freestanding / Rear View

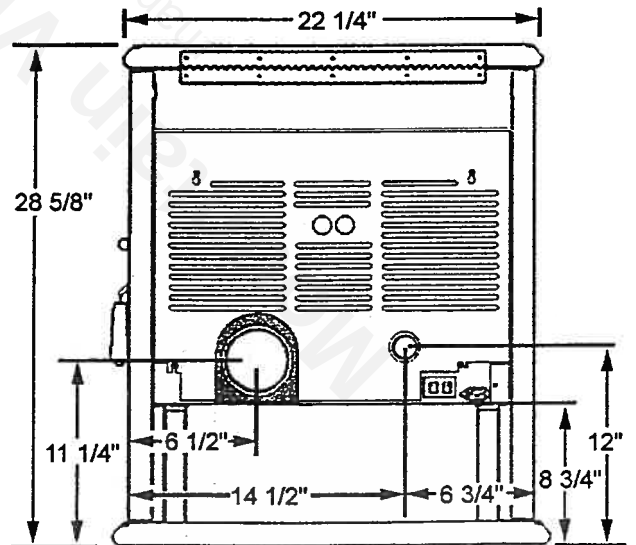
INCORRECT DIMENSIONS
(as shown in manual with Rev. IR. See page 20)



The correct dimensions for the Profile 20 are shown below.

Profile 20 – Freestanding / Rear View

CORRECT DIMENSIONS
(as shown in manual with Rev. A. See page 29)



Mountain View Hearth Products
manuals.stove-parts-unlimited.com