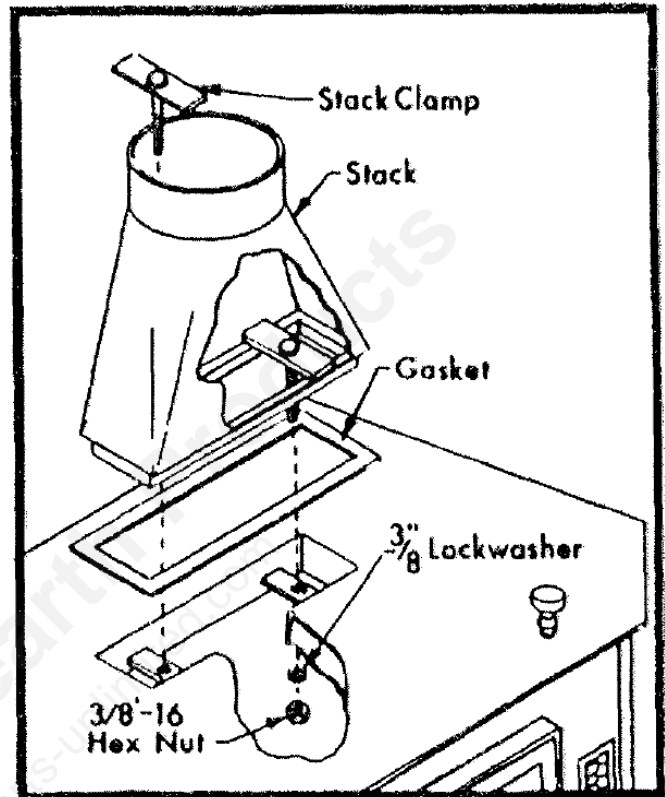


TRANSITION STACK PARTS



To determine which of these models you have, measure the inside width of the door opening left to right.

18" = 26000 Little Buck

20" = 27000 Regular Buck

24" = 28000 Big Buck.

SMALL / REGULAR

13 3/4" X 3 1/4" OPENING

Stack	FA-260421
Gasket	PO-260570
T-Bolt	9STB

BIG BUCK STOVE

16" X 3 3/4" OPENING

Stack	FA-60421
Gasket	PO-260570
T-Bolt	9STB

