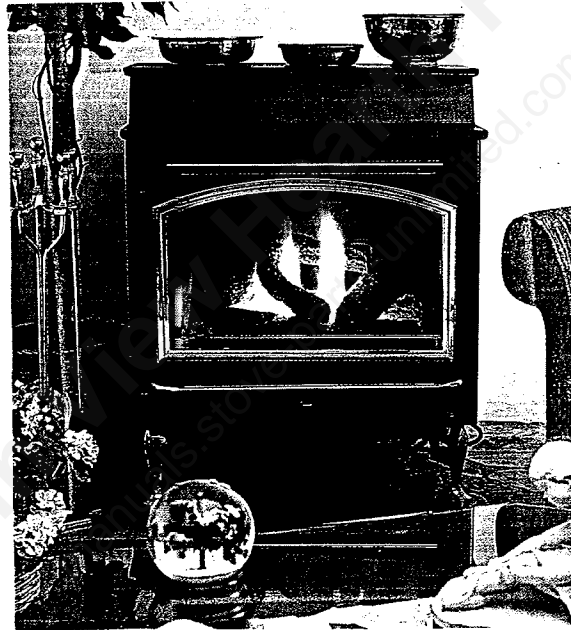


# MODEL 65 DIRECT VENT ROOM HEATER

Installation Manual  
New Buck Corporation



## FOR YOUR SAFETY

Do not store or use gasoline or other flammable vapors and liquids in the vicinity of this or any other appliance.

## FOR YOUR SAFETY WHAT TO DO IF YOU SMELL GAS

- \* Do not try to light any appliance.
- \* Do not touch any electrical switch; do not use any phone in your building.
- \* Immediately call your gas supplier from a neighbor's phone. Follow the gas supplier's instructions.
- \* If you cannot reach your gas supplier, call the fire department.

**WARNING:** Improper installation, adjustment, alteration, service or maintenance can cause injury or property damage. Refer to this manual. For assistance or additional information consult a qualified installer, service agency or the gas supplier.

Mountain View Hearth Products  
manuals.stove-parts-unlimited.com

INDEX

Installation Instructions.....2  
Residential & Mobile Home Freestanding Installation.....4  
Thru-the-Wall Min. & Max. Horizontal Installation.....5-9  
Corner Installation.....9-10  
Alcove Installation.....10  
Min. & Max. Vertical Installation.....11-12  
Wiring.....13  
Connecting Gas Line.....14  
Wall Switch Installation.....15  
Placement of Logs.....16  
Safety.....17-21  
Cleaning & Maintenance.....22  
Trouble Shooting.....23-24  
Replacement Parts.....25  
Warranty.....26-27

**Mountain View Hearth Products**  
manuals.stove-parts-unlimited.com

# GAS HEATER MODEL 65 DIRECT VENT

## INSTALLATION INSTRUCTIONS

### IMPORTANT:

Read this manual before installing and using this gas heater.

Installation and/or repair of this unit should only be done by a qualified installer.

This appliance has been tested to and complies with ANSI Z21.11.1, Interim #41 CGA, CAN. 2.1, ANSI 21.44, CGA 2.17 and UL 307B. Installation must conform with local building codes or, in the absence of local building codes, with national fuel gas code, ANSI Z223.1-1992 NFPA 54 (88).

### FOR YOUR SAFETY

#### WHAT TO DO IF YOU SMELL GAS

- \* Do not try to light any appliance
- \* Do not touch any electrical switch
- \* Do not use any phone in your building
- \* Immediately call your gas supplier from a neighbor's phone. Follow the gas supplier's instructions.
- \* If you cannot reach your gas supplier, call the fire department
- \* Do not store or use gasoline or other flammable vapors and liquids in the vicinity of this or any other appliance

**WARNING:** Do not use this appliance if any part has been under water. Immediately call a qualified service technician to inspect the appliance and to replace any part of the control system which has been under water.

**WARNING:** Improper installation, adjustment, alteration, service or maintenance can cause injury or property damage. For assistance or additional information consult a qualified installer, service agency or the gas supplier.

**WARNING:** DO NOT REPLACE THE BURNER UNIT WITH ANY OTHER SIZE BURNER. REPLACEMENT WITH AN UNAUTHORIZED BURNER CAN RESULT IN TEMPERATURES EXCEEDING THE LIMITS FOR THIS UNIT, AND VOID YOUR WARRANTY.

**NOTE:** When locating the right place for your direct vent unit consult the chart on the next page for detailed information on the location of a termination box.

(A) PREPARATION OF UNIT

1) Lay unit on it's back taking the (4) four legs, bolts and washers supplied with unit. Put legs on by screwing screws into the four tap holes on bottom of unit. Stand unit back upright.

2) Take pipe shield out of unit. Center and mark holes on top of the rear of the unit. The pipe shield brackets have pre-punched holes. Measure 1" (25.4mm) from top of unit. See figure 1. Using the self tapping screws provided with unit fasten to stove. You are now ready for step (B).

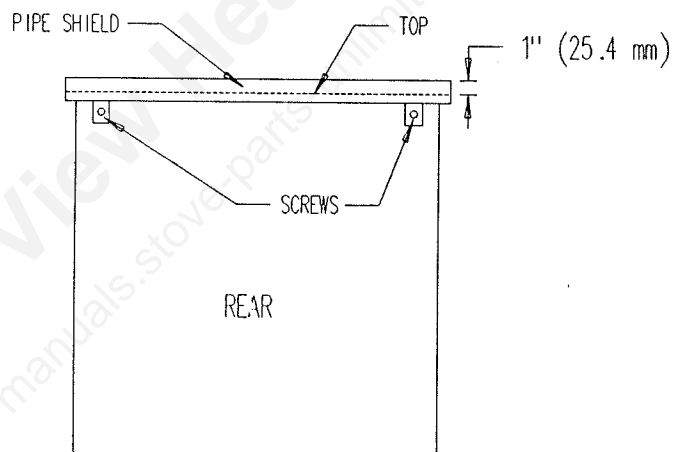
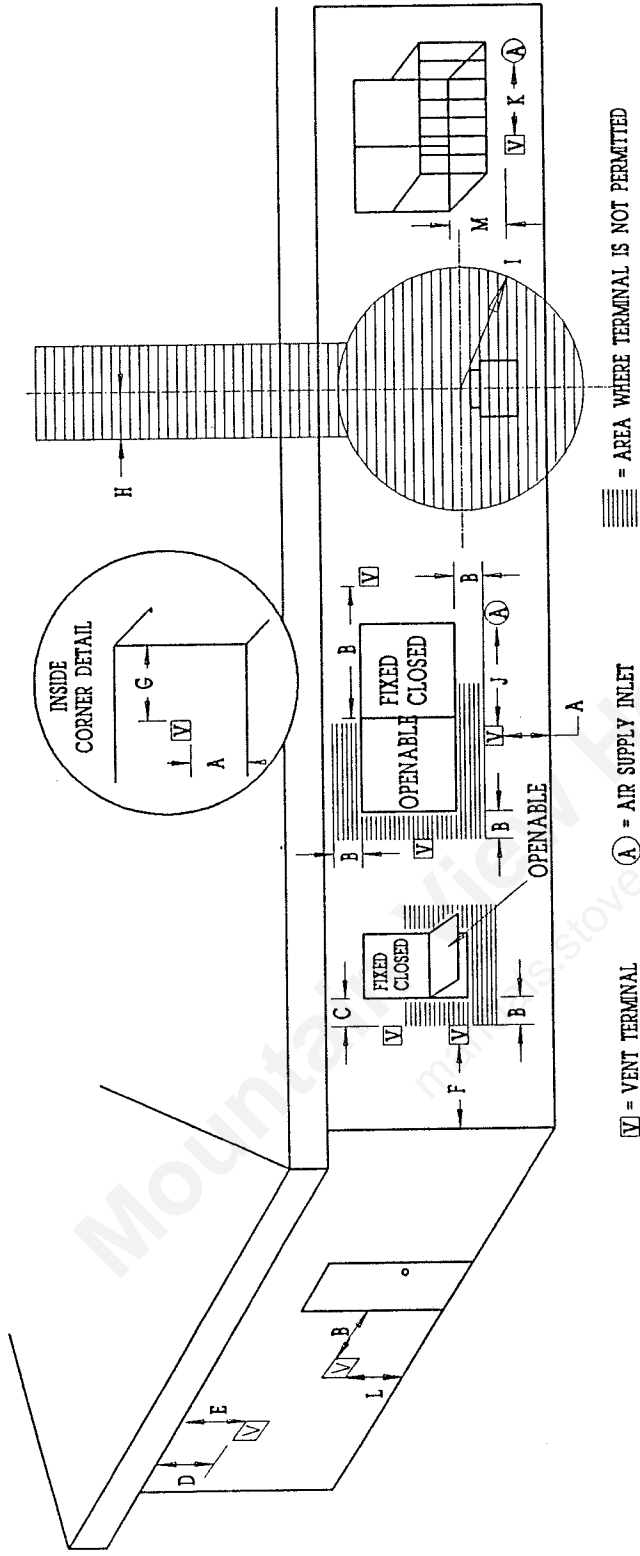


Figure 1

TERMINATION BOX INSTALLATION CHART



▮ = VENT TERMINAL

Ⓐ = AIR SUPPLY INLET

▨ = AREA WHERE TERMINAL IS NOT PERMITTED

- A = CLEARANCE ABOVE GRADE, VERANDA, PORCH, DECK, OR BALCONY [\*12 INCHES (30 CM) MINIMUM].
- B = CLEARANCE TO WINDOW OR DOOR THAT MAY BE OPENED [\*12 INCHES (30 CM) MINIMUM FOR APPLIANCES <100,000 BTUH (30 kW) 36 INCHES (90 CM) MINIMUM FOR APPLIANCES >100,000 BTUH (30 kW)].
- C = CLEARANCE TO PERMANENTLY CLOSED WINDOW [MINIMUM 12 INCHES (30 CM) RECOMMENDED TO PREVENT CONDENSATION ON WINDOW].
- D = VERTICAL CLEARANCE TO VENTILATED SOFFIT LOCATED ABOVE THE TERMINAL WITHIN A HORIZONTAL DISTANCE OF 2 FEET (60 CM) FROM THE CENTRE-LINE OF THE TERMINAL [18 INCHES (46 CM) MINIMUM].
- E = CLEARANCE TO UNVENTILATED SOFFIT [12 INCHES (30 CM) MINIMUM].
- F = CLEARANCE TO OUTSIDE CORNER (NOT AVAILABLE).
- G = CLEARANCE TO INSIDE CORNER (SEE FIG. 2, PAGE 4).
- H = \*NOT TO BE INSTALLED ABOVE A METER/REGULATOR ASSEMBLY WITHIN 3 FEET (90 CM) HORIZONTALLY FROM THE CENTRE-LINE OF THE REGULATOR.
- I = CLEARANCE TO SERVICE REGULATOR VENT OUTLET [\*6 FEET (1.8 M) MINIMUM].
- J = CLEARANCE TO NON-MECHANICAL AIR SUPPLY INLET TO BUILDING OR THE COMBUSTION AIR INLET TO ANY OTHER APPLIANCE [\*12 INCH (30 CM) MINIMUM FOR APPLIANCES ≤ 100,000 BTUH (30 kW) 36 INCHES (90 CM) MINIMUM FOR APPLIANCES > 100,000 BTUH (30 kW)].
- K = CLEARANCE TO A MECHANICAL AIR SUPPLY INLET [\*6 FEET (1.8 M) MINIMUM].
- L = †CLEARANCE ABOVE PAVED SIDE-WALK OR A PAVED DRIVEWAY LOCAL ON PUBLIC PROPERTY [\*7 FEET (2.1 M) MINIMUM].
- M = CLEARANCE UNDER VERANDA, PORCH, DECK, OR BALCONY [\*12 INCH (30 CM) MINIMUM†].

† A VENT SHALL NOT TERMINATE DIRECTLY ABOVE A SIDE-WALK OR PAVED DRIVEWAY WHICH IS LOCATED BETWEEN TWO SINGLE FAMILY DWELLINGS AND SERVES BOTH DWELLINGS\*.

‡ ONLY PERMITTED IF VERANDA, PORCH, DECK, OR BALCONY, IS FULLY OPEN ON A MINIMUM OF 2 SIDES BENEATH THE FLOOR\*.

\* AS SPECIFIED IN CGA B1-19 INSTALLATION CODES (1991). NOTE: LOCAL CODES OR REGULATIONS MAY REQUIRE DIFFERENT CLEARANCES.

RESIDENTIAL & MOBILE HOME  
FREESTANDING INSTALLATION

WARNING: "Operation of, this heater when not connected to a properly installed and maintained venting system, can result in carbon monoxide (CO) poisoning and possible death."

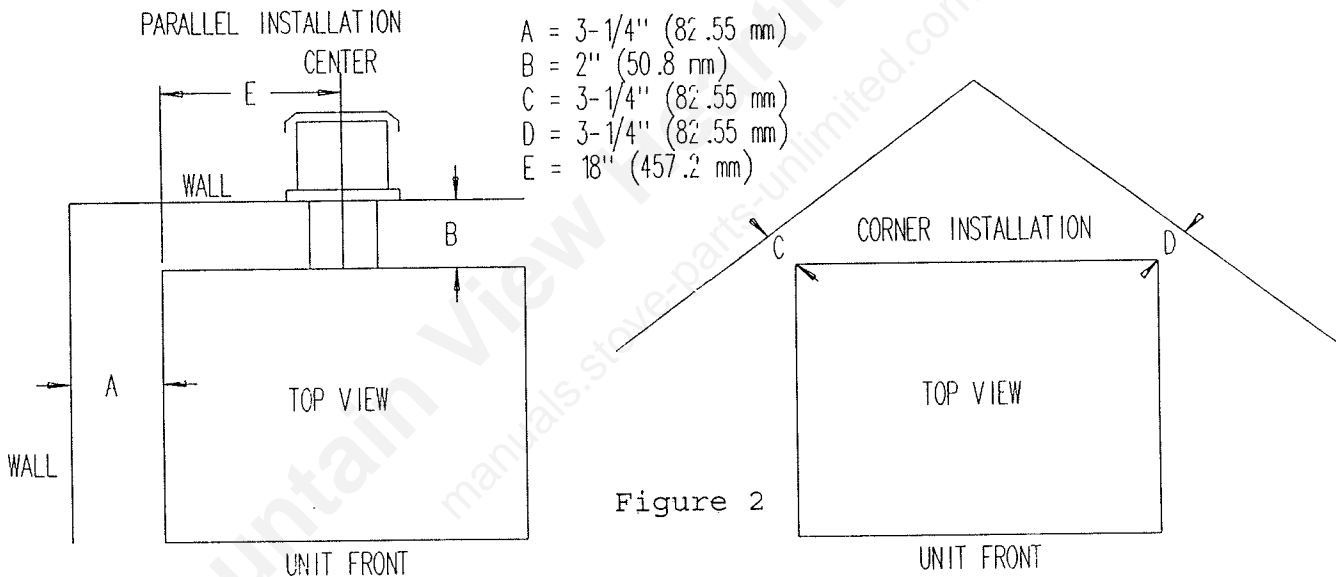
(B) POSITION THE UNIT

1. Determine the exact position of your gas heater. If possible place the heater in such a manner that the piping will be placed between two wall studs so additional framing is not necessary.

Note: Maintain minimum clearances.

DO NOT allow the combustion and ventilation air to be obstructed.

NOTE: DUE TO HIGH TEMPERATURES, THIS UNIT SHOULD BE LOCATED OUT OF TRAFFIC AREAS AND AWAY FROM FURNITURE AND DRAPERIES.



NOTE: When the appliance is installed directly on carpeting, wood or other combustible material, the appliance shall be installed on a 1/2" (12.7mm) listed floor protector extending the full width and depth of the appliance.

NOTE: When installed in mobile home or a house make sure the structure of floor is adequate to support the unit.

NOTE: When installing in mobile home you must fasten stove down to floor of mobile home, bracket not supplied with leg kit, order from factory. Also, you must fasten ground wire to stove and also to trailer frame (not included). See Figure 4.

(C) THROUGH THE WALL MINIMUM HORIZONTAL INSTALLATION

WARNING: This gas appliance must not be connected to a chimney flue serving another type of appliance.

This heater must be properly connected to a venting system.

CAUTION: This installation must conform to local codes. In the absence of local codes, installation must conform with the National Fuel Gas Code ANSI Z223.1A-1992.

1. Cut a hole for the wall thimble 10" (254 mm) wide 18" (457.2mm) high. The center of hole must be 29" (736.6 mm) above the height of desired hearth or floor protector. See Figure 3.

NOTE: For minimum corner installation see figure 2.

NOTE: Measurement of length of pipe below is for 4-1/2" wall. For thicker wall add length to pipes according to thickness of wall.

Figure 3

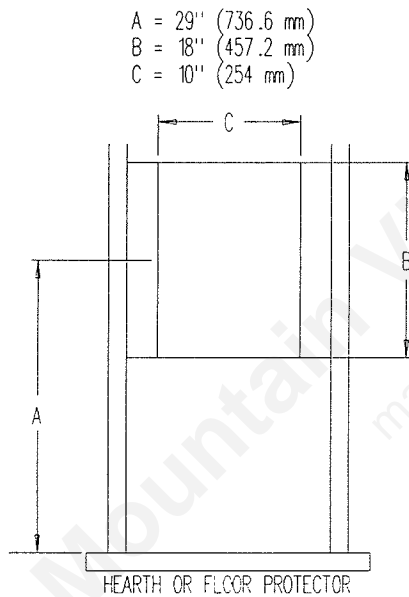
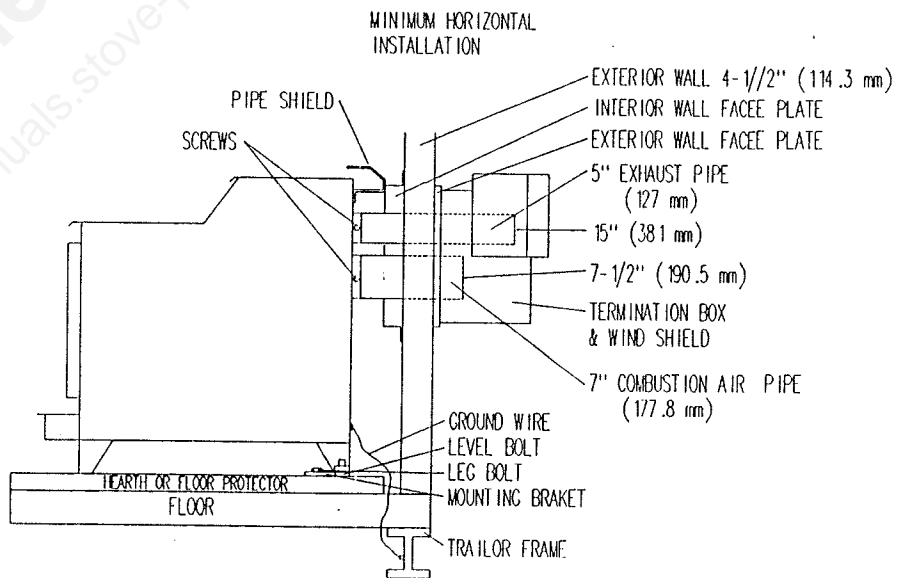


Figure 4



2. Position interior faceplate and wall thimble in hole as so to leave 1/2" (12.7mm) space around the four sides of thimble walls.

NOTE: Your wall thimble is adequate to pass through 12" (304.8mm) wall. After you position the face plate in the hole, put a couple of screws to hold it in place while you go to the outside of the home and mark the wall thimble where it protrudes through the wall.

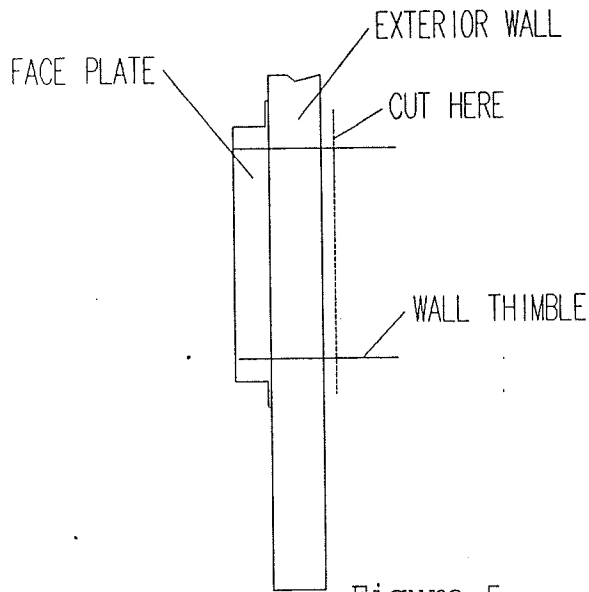


Figure 5

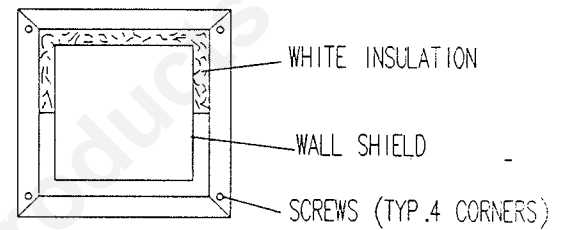


Figure 6

3. After cutting wall thimble to pass through exterior wall, fasten to wall with fasteners through the pre-punched hole in face plate.

NOTE: Before fastening thimble permanently to wall, fold and place the 2" (50.8mm) x 29" (736.6mm) strip of white insulation to top and down the sides 10" ( See Figure 6).

4. To measure the amount of pipe needed for 5" (127mm) exhaust and 7" (177.8mm) combustion, measure distance from pipe shield to combustible wall. Next, measure the thickness of exterior wall, then add 8" (203.2mm) for distance of termination box, this measure will be for 5" (127mm) exhaust pipe, for measurement of 7" (177.8mm) combustion pipe add 2-1/2" (63.5mm).
5. Cut the piece of 5" (127mm) pipe to the total length of the above. Silicone around the 5" (127mm) exhaust pipe on stove, slip the pipe over the flue exit, secure with at least 3 screws. Repeat this procedure with the 7" (177.8mm) combustion pipe. Silicone all joints of pipe with high temperature silicone.

NOTE: If using single wall pipe and elbows instead of flex pipe, all joints and seams must be sealed on 5" (127mm) exhaust and 7" (177.8mm) combustion air pipes with high heat silicone.

6. With both pipes attached to the back of unit, slide the unit backward aligning the two pipes with the holes in faceplate and wall thimble. You should position the unit from the wall the amount of clearance you allowed when you cut your pipe. After positioning the unit in place you are ready to proceed outside.
7. Taking the three pieces of insulation 1" (25.4mm) thick, 9" (228.6mm) wide, 12" (304.8mm) long provided with unit, measure and cut it the thickness of your exterior wall. Slide into position above 5" (127mm) exhaust pipe from the outside in. See Figure 7.

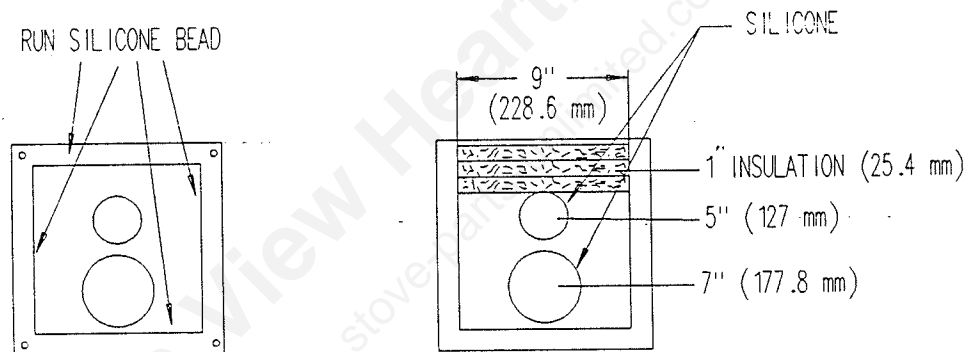


Figure 7

8. Next, take exterior faceplate position over pipes, slide until it fits flush against wall. Make a light pencil mark around edge of faceplate, take off faceplate and apply a 1/4" (6.35mm) to 3/8" (9.52mm) bead of silicone on the inside of pencil mark all the way around. After this is done slide the faceplate back into position and secure to wall. Apply a bead of silicone around each pipe where they protrude through the exterior faceplate. See figure 7.
9. Next, get termination box; position it into place over pipes. Slide box up against the exterior faceplate and make a pencil mark around the flange. Remove box and silicone inside line all the way around. Reposition termination box and secure to wall.

10. Secure top of termination box to the termination box with the screws provided, run a bead of silicone along the top of termination box and exterior faceplate. See Figure 8.

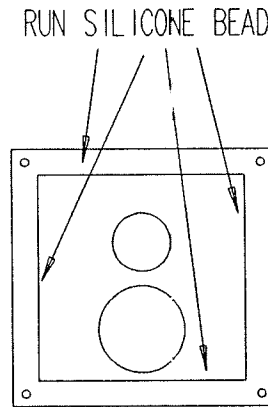


Figure 8

This completes the minimum horizontal installation for U.S. and Canada.

- (D) FOR MAXIMUM HORIZONTAL INSTALLATION  
(25' (7620mm) for U.S. & Canada)

Determine distance from exterior wall you desire. Then follow steps 1-10 to proceed with through the wall installation.

NOTE: If installed in a basement for example you want to use elbows out the back of unit and run pipe along the ceiling with it enclosed in a chase for better appearance. You will need to follow Figure 9.

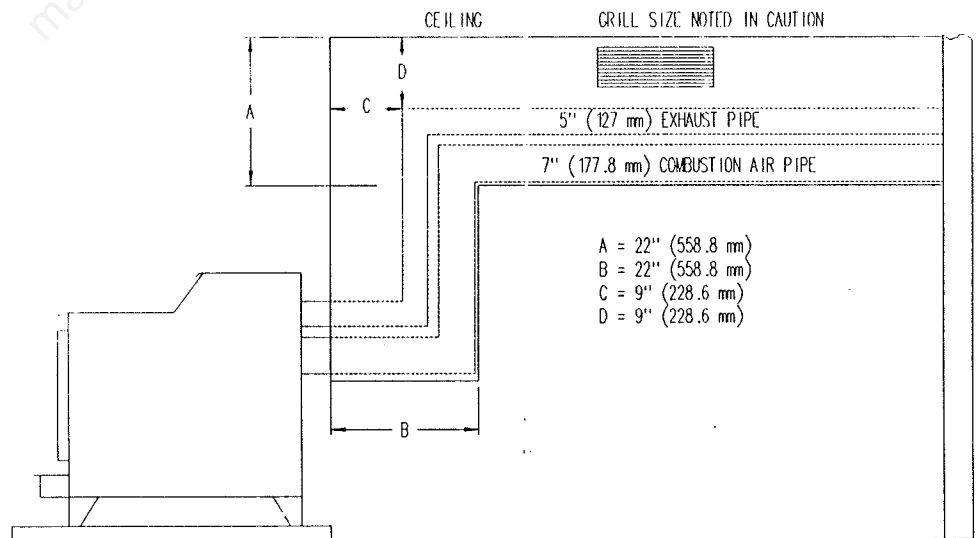


Figure 9

NOTE: When installing a chase around the elbows and pipe system you must maintain 9" (228.6mm) from the front or top of 5" (127mm) exhaust pipe. Also you must maintain 4-1/4" (108mm) from the side of 5" (127mm) exhaust pipe. The bottom of combustion air pipe may be zero clearance to chase, therefore the chase must be minimum 22" (558.8mm) high inside, 13-1/4" (336.55mm) wide. See Figure 10.

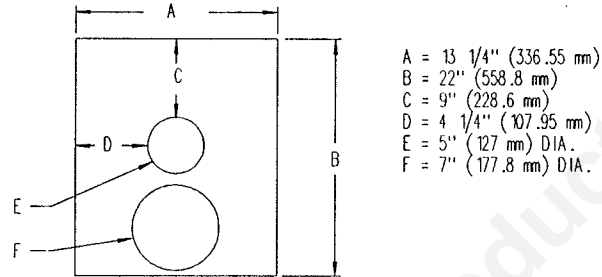


Figure 10

CAUTION: For every 5' (1524mm) of chase installed you must install a 7-1/4" (184mm) x 13-1/4" (337mm) grill to allow heat to escape from chase. It also provides more heat into the area which this unit has been installed.

(E) 45 DEG. CORNER INSTALLATION/MINIMUM INSTALLATION

(1) Position unit and determine which side of corner your pipe will exit. Follow procedures 1-10 on pages 5-8 for through the wall installation. See Figure 11 for clearance from unit to combustibile wall.

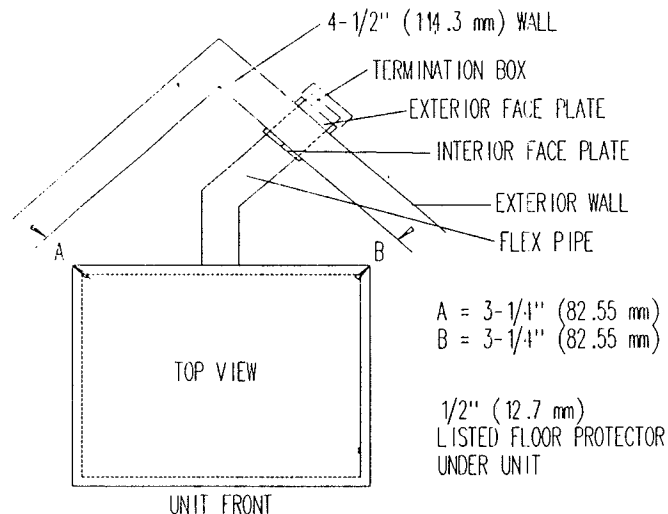


Figure 11

NOTE: After positioning unit to help you determine the length of pipe you will need 8" (203mm) of 5" (127mm) pipe after you exit the exterior wall and 2" (50mm) of 7" (178mm) pipe.

- (2) For maximum 45 deg. corner follow procedure in section D figure 9 maximum horizontal installation.

(F) ALCOVE INSTALLATION

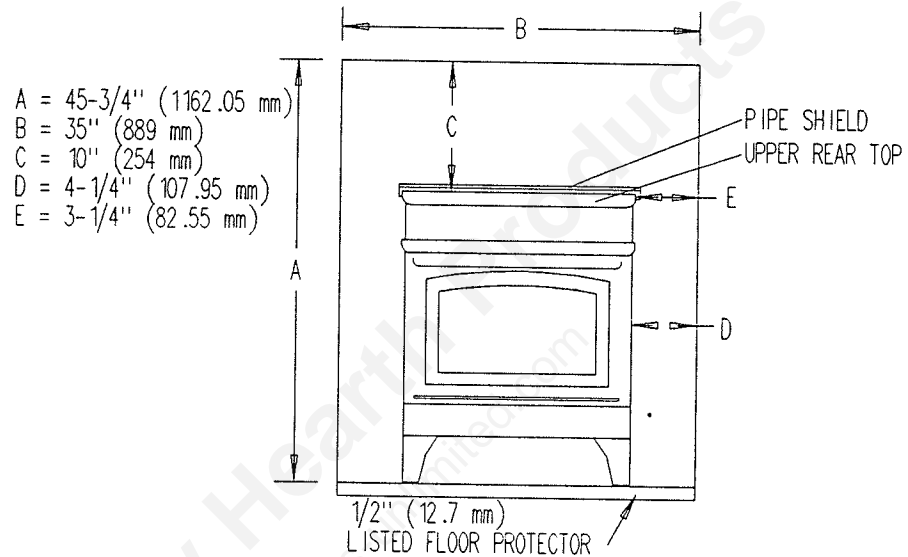


Figure 12

For through the wall application see section (A) 1-10.

- (1) Horizontal Installation 35" (889mm): 3-1/4" (82.55mm) from upper top to combustible wall. See figure 12.
- (2) Vertical Installation 45-3/4" (1162mm): 10" (254mm) from upper top to combustible. See Figure 12.
- (3) For minimum depth of alcove the unit may be 2" (50.8mm) clearance to wall.

NOTE: The pipe shield must be installed. The pipe shield may touch the faceplate wall shield. See Figure 4 page 5.

(G) MINIMUM VERTICAL INSTALLATION

- (1) Determine the exact position of your gas heater. If possible place heater in such a manner that the piping will be placed between two wall studs, so no additional framing is necessary. For through the wall installation see section (B) 1-10.
- (2) The minimum vertical installation is to reverse two 90 deg. elbows before going through the wall. See Figure 13.

NOTE: This minimum covers U.S. and Canada.

CAUTION: For mobile home installation you must secure unit to floor of mobile home and hook up ground wire. See Section (A) Figure 4.

NOTE: Due to high temperatures, this unit should be located out of traffic areas and away from furniture and draperies.

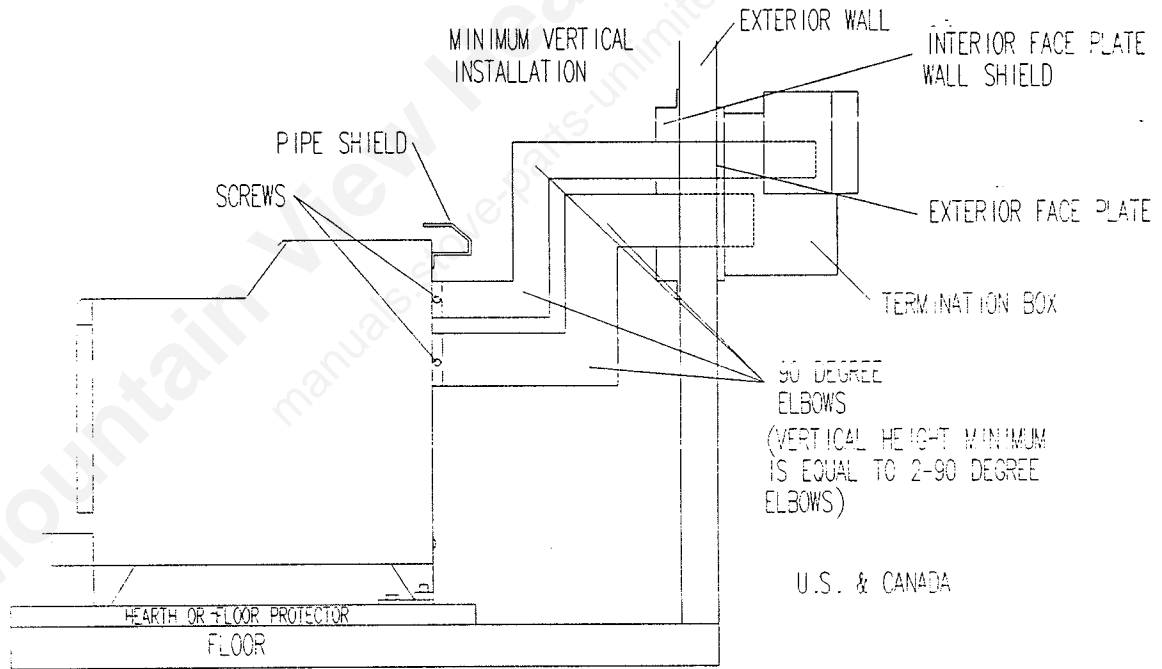


Figure 13

(H) MAXIMUM VERTICAL INSTALLATION

- (1) Determine exact location of your gas heater. If possible place heater in such a manner that the piping will be placed between two wall studs so additional framing is not necessary. For through the wall installation see section (B) 1-10.

NOTE: Maximum vertical installation for U.S. is 20' pipe and two 90 deg. elbows. See Figure 14.

Maximum vertical installation for Canada is 10' pipe and two 90 deg elbows. See Figure 14.

CAUTION: For mobile home installation you must secure unit to floor of mobile home and hook up ground wire. See section (A) figure 4.

Due to high temperature, this unit should be located out of traffic areas and away from furniture and draperies.

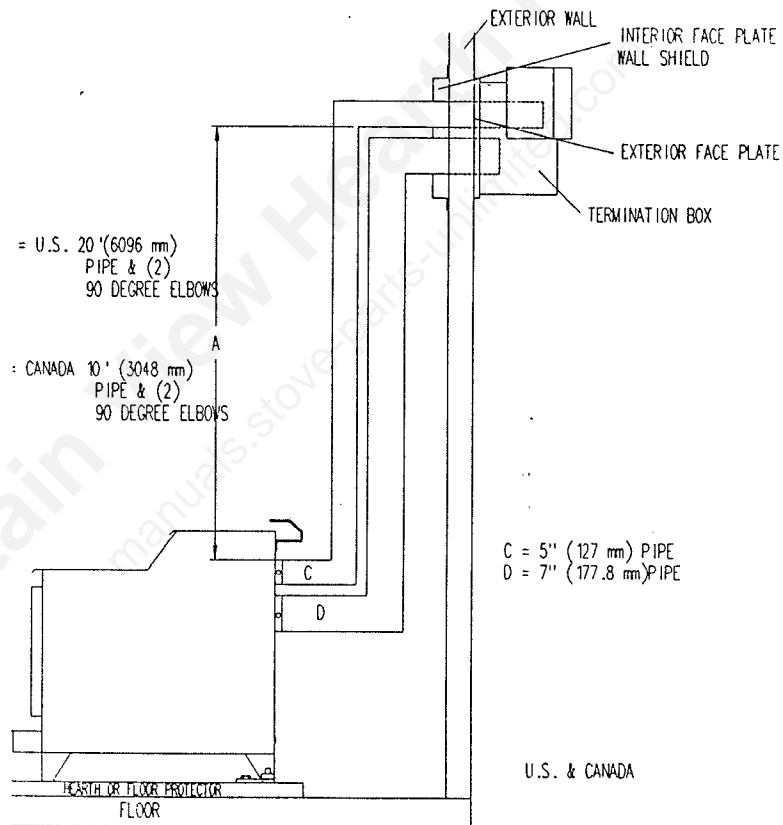


Figure 14

(I) WIRING - ROOM AIR BLOWER (See Figure 15)

- (1) Adjust the speed control knob to the desired air flow.

NOTE: The fan will not operate unless the speed control knob has been turned on. The fan will automatically come on when the thermo disc reaches 110 degrees.

- (2) This appliance, when installed must be electrically grounded in accordance with local codes, or, in the absence of local codes, with the National Electrical Code, ANSI/NFPA 70-1987.

WARNING: Electrical Grounding Instructions: This appliance is equipped with a three prong (grounding) plug for your protection against shock hazard and should be plugged directly into a properly grounded three-prong receptacle. DO NOT cut or remove the grounding from this plug.

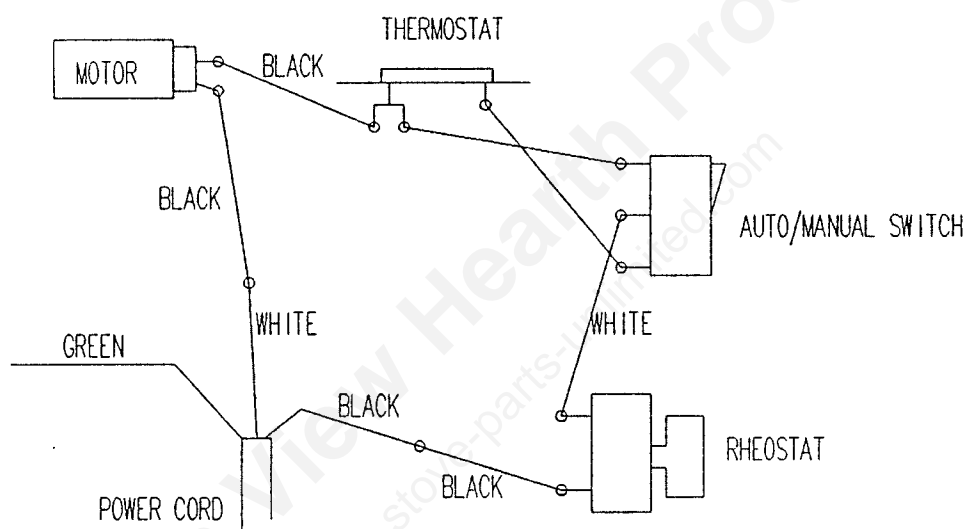


Figure 15

NOTE: Installation and repair should be done by a qualified service person. The appliance should be inspected before use and at least annually by a qualified service person. More frequent cleaning may be required due to excessive lint from carpeting, bedding material, etc. It is imperative that control compartments and circulating air passageways of the appliance be kept clean.

NOTE: The room heater, when installed must be electrically connected and grounded in accordance with local codes or, in the absence of local codes, with the current Canadian electrical code CSA. C22.1.

(J) CONNECTING THE GAS LINE

CAUTION: Installation of the gas line must only be done by a qualified person in accordance with local building codes.

- (1) Connect gas line. An accessible shut off valve must be installed up stream from the unit.

NOTE: DO NOT run the incoming gas line in a manner that would obstruct the operation or removal of the fan.

NOTE: The minimum inlet gas supply pressure is 5.4 (1.35 KPA) inches W.C.  
The maximum inlet gas supply pressure is 10.5 (2.62 KPA) inches W.C.

- (2) This unit is designed to accept either a 3/8" (9.5mm) or 1/2" (12.7mm) gas line approved for gas appliances. Consult local building codes to properly size the gas supply line leading to a 3/8" (9.5mm) reduction.
- (3) Attach proper fittings to the regulator board for easier installation.
- (4) Complete installation of the gas line.

NOTE: The appliance and its individual shut off valve must be disconnected from the gas supply piping system during any pressure testing of that system at test pressure in excess of 1/2 ps 19 (3.5 KPA)

NOTE: The appliance must be isolated from the gas supply piping system by closing its individual manual shutoff valve during any pressure system at test pressure equal to or less than 1/2 ps 19 (3.5 KPA).

NOTE: The regulator is equipped with a 5/16 allen headed plug located at bottom rear right side of regulator. Remove and replace with tap to provide you with access to check pressure.

NOTE: This unit has been tested for installation at high altitude in accordance with Canadian test standard CAN/CGA-2.17. Higher altitudes affect the atmospheric pressure and heat value of gaseous fuels. When installing this unit at high altitudes the rated input will be lower than at sea level. The lowered oxygen content in the air and lowered gas density require installing a different orifice in order to achieve clean combustion of the unit. Consult the unit data plate for the proper high altitude orifice size and fill out the information sticker attached to the unit when field converting.

Orfice Size at Sea Level	Orfice Size Required at Other Elevations								
	2000	3000	4000	5000	6000	7000	8000	9000	10000
31	32	32	32	33	34	35	36	37	38
32	33	34	35	35	36	36	37	38	40
33	35	35	36	36	37	38	38	40	41
34	35	36	36	37	37	38	39	40	42
35	36	36	37	37	38	39	40	41	42
36	37	38	38	39	40	41	41	42	43
37	38	39	39	40	41	42	42	43	43
38	39	40	41	41	42	42	43	43	44
39	40	41	41	42	42	43	43	44	44
40	41	42	42	42	43	43	44	44	45
41	42	42	42	43	43	44	44	45	46
42	42	43	43	43	44	44	45	46	47
43	44	44	44	45	45	46	47	47	48
44	45	45	45	46	47	47	48	48	49
45	46	47	47	47	48	48	49	49	50
46	47	47	47	48	48	49	49	50	50
47	48	48	48	49	49	50	50	51	51
48	49	49	49	50	50	50	51	51	52
49	50	50	50	51	51	51	52	52	52
50	51	51	51	51	52	52	52	53	53
51	51	52	52	52	52	53	52	53	54
52	52	53	52	53	53	53	54	54	54
53	54	54	54	54	54	54	55	55	55
54	54	55	55	55	55	55	56	56	56
55	55	55	55	56	56	56	56	56	57
56	56	56	57	57	57	58	59	59	60
57	58	59	59	60	60	61	62	63	63
58	59	60	60	61	62	62	63	63	64
59	60	61	61	62	62	63	64	64	65
60	61	61	62	63	63	64	64	65	65

How to determine correct high altitude orfice.

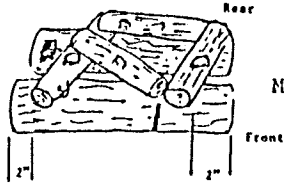
1. Look at the gas heater check list, page 14B, line "B" shows each model and the orfice for LP & Natural Gas for 0-2000 Ft. elevation. Determine what orfice size # your unit is equipped with.
2. Using this chart, locate that number in the first column. Then locate your elevation. This is the size orfice your unit will use.

EXAMPLE: Model 60, L.P. @7000 Ft elevation. The orfice size for 0-2000 Ft. is 50, at 7000 Ft. elevation the orfice size is 52.

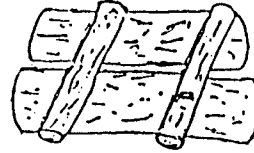
GAS HEATER CHECK LIST

Your new gas appliance is designed to be an efficient clean burning heater. The flame in the heater should be blue in color 1" to 2" off top of burner with 4" to 6" of bright yellow flame extending to just below top of firebox. The flame should never be black and dirty looking. The front glass should always stay clean; if at any time soot is detected on the front glass the appliance should be shut down immediately and the following checked:

- A. Placement of logs: Be sure the front and back logs are not too close and the tilt of the front log is not over the flame opening.

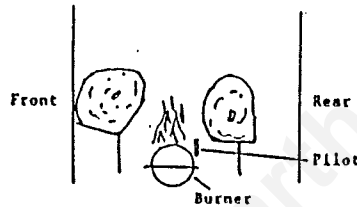


Model 60 & 65



Model 25 & 40

- \* Note: Be sure front log holder and log are adjusted so the log doesn't cover the burner and flame path. To adjust; bend front log holder until front log is touching bottom front door opening of stove, then bend rear log holder so there is 1-1/4" to 1-1/2" space between pilot and rear log holder.



- B. Orifice Size: From 0 to 2000 ft. elevation.



Natural  
Model 25



LP  
Model 25



Natural  
Model 40



LP  
Model 40



Natural  
Model 60 & 65



LP  
Model 60 & 65

- \* Note: If elevation is over 2000 ft. refer to elevation sheet with orifice sizes.

- C. Air Shutter at Burner: The air shutter at the burner base should be positioned at least half-way open.

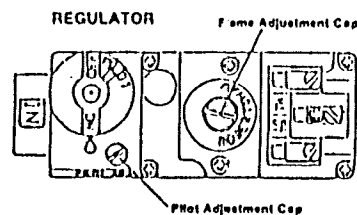
- D. Flue: Check flue to be sure it has been relined with 4" flex pipe.

- \* Note: If more than one 90° elbow is used in installation, it may be necessary to adjust upper and lower heat shields down to correct the draw of heater. To lower the shield remove the glass from heater, then loosen the 3/8 nuts in the top of the heater 1/4" to allow better draw.

- E. If stove is a masonry insert be sure that 1/2" spacers have been placed under the stove to assure air flow.

If all of these checkpoints have been checked and everything seems O.K. and stove still burns dirty, check:

- F. Pressure Valve: On front of the regulator, remove the cap screw and turn adjustment screw all the way right, this will be completely open then turn the screw back 2-1/2 to 3 turns.



After all of the above has been checked and everything seems correct and heater still burns dirty the dealer needs to be contacted.

(K) WALL SWITCH INSTALLATION (optional)

- (1) If desired, a wall switch may be used to turn unit off and on.

NOTE: Installation of a wall switch should only be done by a qualified installer.

NOTE: The lower plug-in receptacle is included for the optional remote control unit. See your dealer for details.

- (2) Run low-voltage (doorbell) wire from the on/off switch, to the desired location of the wall switch.

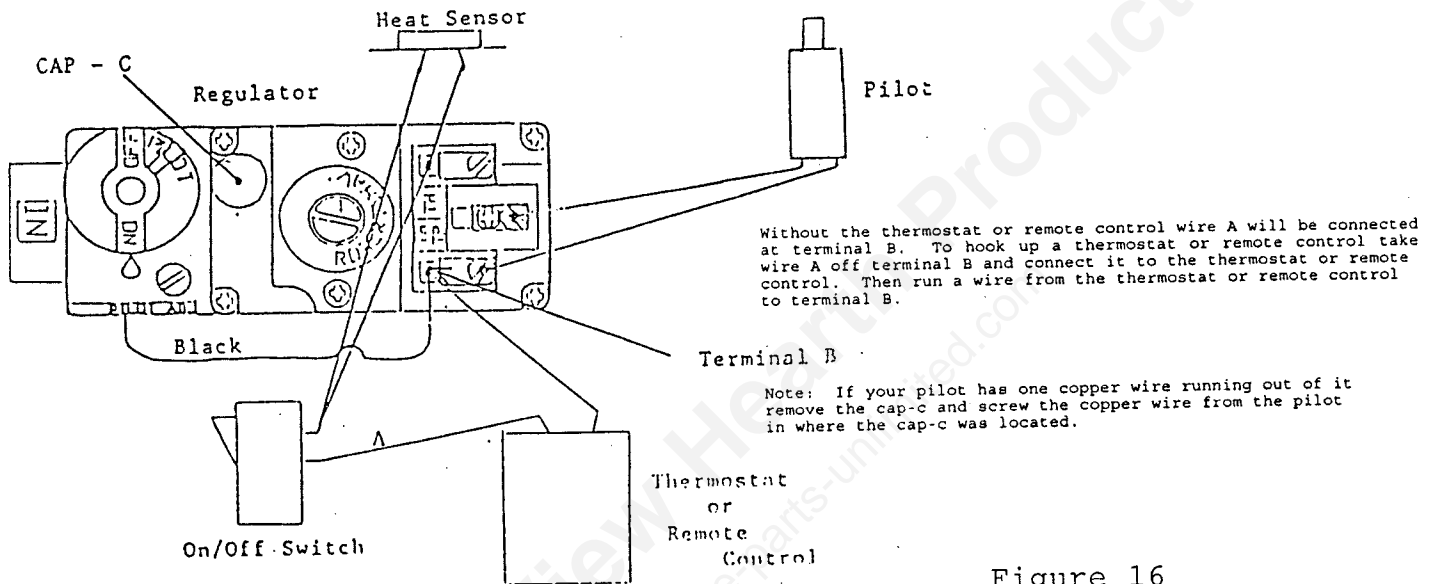
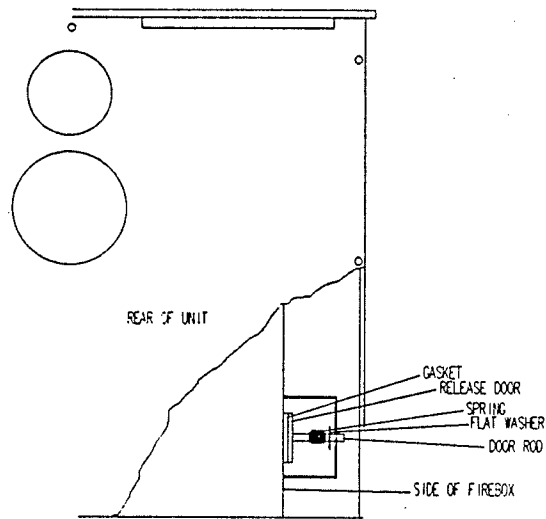


Figure 16

(L) NOTE: Your Model 65 Direct Vent room heater is equipped with two safety release trap doors. They are located toward the rear of the firebox on both sides. The purpose of these doors is to vent the unit in any event if there be a major malfunction in your gas line, or the regulator in your unit and someone was to try to light your unit with excess gas present in the combustion chamber.

In the event that this situation occurs you will need to replace the gasket on the release doors. Call a qualified technician to repair or check your unit for the problem that caused the malfunction. After the problem is solved, before burning, you need to replace the gasket on the release doors. To replace gasket, remove flex pipe from rear of unit. Remove 7 screws from back panel and remove panel from unit. Release doors are located on each side near the rear of unit. Slide door from bracket and remove from unit. Using silicone, glue the gasket back on release doors. Replace release doors as shown in figure 17, page 16. Your unit is now ready to burn. See figure 17, next page.

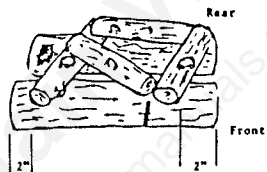
Figure 17



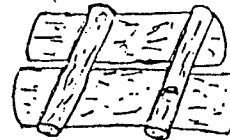
(M) PLACEMENT OF LOGS

- A - Front log has saw blade looking mark on it. See figure 18.
- B - Rear log has large knot.
- C & D - Position C, D, as shown in figure 18.
- E - As shown in figure 18.
- F - At rear as shown, figure 18.

A. Placement of logs: Be sure the front and back logs are not too close and the tilt of the front log is not over the flame opening.



Model 60  
&  
Model 65



Model 25 & 40

\* Note: Be sure front log holder and log are adjusted so the log doesn't cover the burner and flame path. To adjust; bend front log holder until front log is touching bottom front door opening of stove, then bend rear log holder so there is 1-1/4" to 1-1/2" space between pilot and rear log holder.

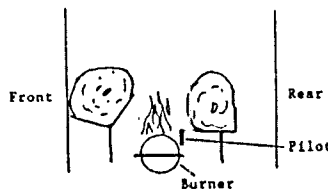


Figure 18

NOTE: See example A if your unit automatically lights the pilot. See example B if your unit is equipped with a manual igniter. Read 1 - 7 before lighting the unit for the first time.

1. Open the cover door.
2. Turn the regulator valve to pilot, push it in and hold.
3. Press the igniter button. If the line is bled out, the pilot will generally light with two to three pushes on the igniter.
4. Hold the pilot in for approximately one to two minutes.
5. Release the pilot valve and the flame should stay lit.  
NOTE: If pilot fails to stay lit, wait five minutes and repeat steps 2 through 5. If this continues, consult the trouble shooting guide.
6. Turn the regulator valve to the "on" position.
7. Flip the on/off switch to the on position, (the red is exposed).
8. If you wish to turn the burner off, flip the on/off switch. If a wall switch has been installed, simply turn it off.  
NOTE: The pilot will stay lit.
9. To turn off the pilot, push in and turn control valve to the off position.

NOTE: When the unit is initially lit, condensation will appear on the glass, this is normal in all gas fireplaces, and will disappear in one to three minutes.

NOTE: A paint smell will occur during the first few hours of burning, it is recommended to leave the fan off during this period, this will speed up the paint curing process.

NOTE: CHILDREN AND ADULTS SHOULD BE ALERTED TO THE HAZARDS OF HIGH SURFACE TEMPERATURE AND SHOULD STAY AWAY TO AVOID BURNS OR CLOTHING IGNITION. YOUNG CHILDREN SHOULD BE CAREFULLY SUPERVISED WHEN THEY ARE IN THE SAME ROOM AS THE APPLIANCE.

CLOTHING OR OTHER FLAMMABLE MATERIAL SHOULD NOT BE PLACED ON OR NEAR THE APPLIANCE.

## Example A

### FOR YOUR SAFETY READ BEFORE OPERATING

WARNING: If you do not follow these instructions exactly, a fire or explosion may result causing property damage, personal injury or loss of life.

A. This appliance is equipped with an ignition device which automatically lights the pilot. Do not try to light the pilot by hand.

B. BEFORE OPERATING, check for gas odor around the appliance. Be sure to smell next to the floor because some gas is heavier than air and will settle on the floor.

### WHAT TO DO IF YOU SMELL GAS

- \* Do not try to light any appliance.
- \* Do not touch any electrical switch; do not use any phone in your building.
- \* Immediately call your gas supplier from a neighbor's phone. Follow the gas supplier's instructions.
- \* If you cannot reach your gas supplier, call the fire department, from a neighbor's phone.

C. Use only your hand to push in or turn the gas control knob. Never use tools. If the knob will not push in or turn by hand, don't try to repair it, call a qualified service technician. Force or attempted repair may result in a fire or explosion.

D. Do not use this appliance if any part has been under water. Immediately call a qualified service technician to inspect the appliance and to replace any part of the control system and any gas control which has been under water.

### OPERATING INSTRUCTIONS

1. STOP! Read the safety information above on this label.
2. Turn off all electric power to the appliance.
3. This appliance is equipped with an ignition device which automatically light the pilot. Do not try to light the pilot by hand.
4. Open cover door.
5. Push in gas control knob slightly and turn clockwise to "Off".

NOTE: Knob cannot be turned to "off" unless knob is pushed in slightly. Do not force.

6. Wait five (5) minutes to clear out any gas. If you then smell gas, STOP! Follow "B" in the safety information above on this label. If you don't smell gas, go to next step.
7. Turn gas control knob counter clockwise to "On".
8. Turn on and off switch to on position.
9. Close cover door.
10. Turn on all electric power to the appliance.
11. Set wall thermostat to desired setting.
12. If the appliance will not operate, follow the instructions "To Turn Off Gas To Appliance" and call your service technician or gas supplier.

#### TO TURN OFF GAS TO APPLIANCE

1. Open cover door.
2. Push in gas control knob slightly and turn clockwise to "Off". Do not force.
3. Close cover door.

## Example B

### FOR YOUR SAFETY READ BEFORE OPERATING

WARNING: If you do not follow these instructions exactly, a fire or explosion may result causing property damage, personal injury or loss of life.

A. This appliance has a pilot which must be lighted by hand. When lighting the pilot, follow these instructions exactly.

B. BEFORE OPERATING, check for gas odor around the appliance. Be sure to smell next to the floor because some gas is heavier than air and will settle on the floor.

### WHAT TO DO IF YOU SMELL GAS

- \* Do not try to light any appliance
- \* Do not touch any electrical switch; do not use any phone in your building.
- \* Immediately call your gas supplier from a neighbor's phone. Follow the gas supplier's instructions.
- \* If you cannot reach your gas supplier, call the fire department, from a neighbor's phone.

C. Use only your hand to push in or turn the gas control knob. Never use tools. If the knob will not push in or turn by hand, don't try to repair it, call a qualified service technician. Force or attempted repair may result in a fire or explosion.

D. Do not use this appliance if any part has been under water. Immediately call a qualified service technician to inspect the appliance and to replace any part of the control system and any gas control which has been under water.

### LIGHTING INSTRUCTIONS

1. STOP! Read the safety information above on this label.
2. Turn off all electric power to the appliance.
3. Open cover door.
4. Push in gas control knob slightly and turn clockwise to "Off".

NOTE: Knob cannot be turned from "Pilot" to "Off" unless knob is pushed in slightly. Do not force.

5. Wait five (5) minutes to clear out any gas. If you then smell gas, "Stop". Follow "B" in the safety information above on this label. If you don't smell gas, go to next step.

6. Turn knob on gas control counterclockwise to "Pilot".

7. Push in control knob all the way and hold in. Immediately light the pilot with the Piezo button. Continue to hold the control knob in for about one (1) minute after the pilot is lit. Release knob and it will pop back up. Pilot should remain lit. If it goes out, repeat steps 4 - 7.

- \* If knob does not pop up when released, stop and immediately call your service technician or gas supplier.
- \* If the pilot will not stay lit after several tries, turn the gas control knob to "Off" and call your service technician or gas supplier.

8. Turn gas control knob counterclockwise to "On".

9. Turn on/off switch to "On" position.

10. Close cover door.

11. Turn on all electric power to the appliance.

12. Set wall thermostat to desired setting.

#### TO TURN OFF GAS TO APPLIANCE

1. Open cover door.

2. Push in gas control knob slightly and turn clockwise to "Off". Do not force.

3. Close cover door.

(N) MAINTENANCE REQUIREMENTS

1. This appliance should be inspected at least once a year by a professional service person.

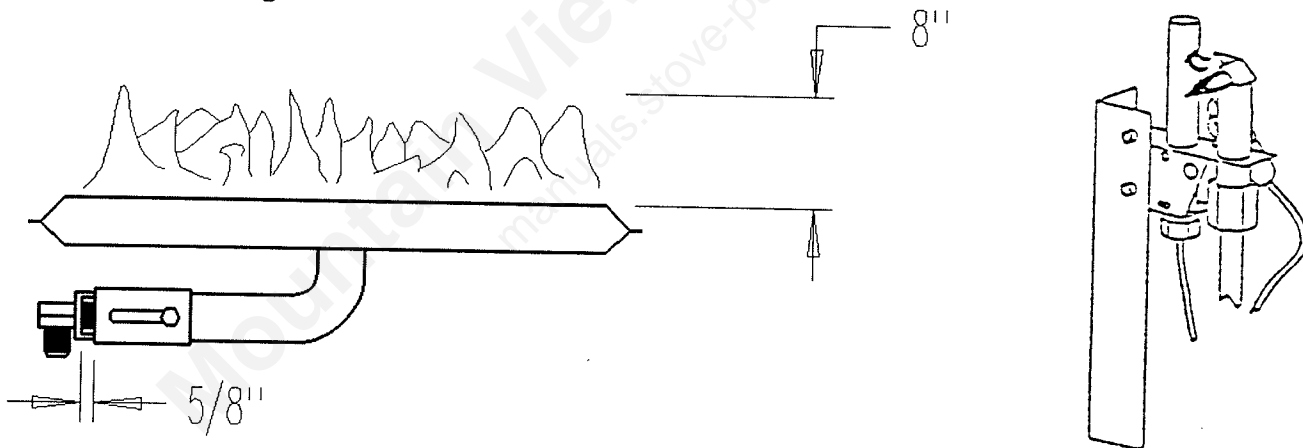
NOTE: INSTALLATION AND REPAIR SHOULD BE DONE BY A QUALIFIED SERVICE PERSON. THE APPLIANCE SHOULD BE INSPECTED BEFORE USE AND AT LEAST ANNUALLY BY A QUALIFIED SERVICE PERSON. MORE FREQUENT CLEANING MAY BE REQUIRED DUE TO EXCESSIVE LINT FROM CARPETING, ETC. IT IS IMPERATIVE THAT CONTROL COMPARTMENTS, BURNERS AND CIRCULATION AIR PASSAGEWAYS OF THE APPLIANCE BE KEPT CLEAN.

2. The room air blower should be disconnected from electrical current, cleaned every six months. Check and clean fan blades every six months.

3. Yearly examination of the venting system by a qualified agency is required. First open the glass front of the unit. The burner should be covered or removed before cleaning. Inside, at the top of the unit, there are two 9/16" nuts. Remove the nuts and the baffles to expose the lower end of the flue gas exit. Inspect the exterior of the house, remove the termination cap and check the flue gas exit and clean with a brush. Vacuum any residue.

4. Annual cleaning of the burner is required. Clean with a few strokes of a steel brush.

5. Visually check the pilot light and burner when they are burning. The pilot flames should be steady, not lifting or floating.



NOTE: Reinstall glass door before operating the unit. ANY SAFETY SCREEN OR GUARD REMOVED FOR SERVICING AN APPLIANCE MUST BE REPLACED PRIOR TO OPERATING THE APPLIANCE. AIR INTAKE ON BURNER SHOULD NOT BE CLOSED OFF ANY CLOSER THAT 1/2" (12.7mm). KEEP THE APPLIANCE AREA CLEAR OF COMBUSTIBLE MATERIALS, SUCH AS GASOLINE AND OTHER FLAMMABLE VAPORS AND LIQUIDS.

## TROUBLE SHOOTING GUIDE

NOTICE: The regulator board includes the following items:  
Regulator, Generator, Pilot, Piezo, Electrode,  
Rocker Switch, Burner, Orifice and orifice holder

If any of these items are defective, replacement of the entire board would be easier and would not void the warranty. Please contact your dealer if this becomes necessary.

1. If unit fails to ignite, a qualified service person should check the units installation.

2. It is imperative that the control compartment burners and circulating air passageways of the unit be kept clean. This is necessary to provide adequate combustion and ventilation air.

PROBLEM	CAUSE	SOLUTION
Pilot won't light	Gas shut off	Turn gas on
	Gas line not bled out	Hold valve knob in long enough to bleed out line
	Not holding regulator valve in long enough	Hold in longer
Pilot won't stay lit	Not holding pilot button in long enough	Hold button in long enough to heat generator
	Generator wires loose at regulator terminals	Reposition wire and tighten screws
	Generator wire grounded out due to pinching during installation of regulator board	The nuts on regulator board may need loosening to remove pinched wire

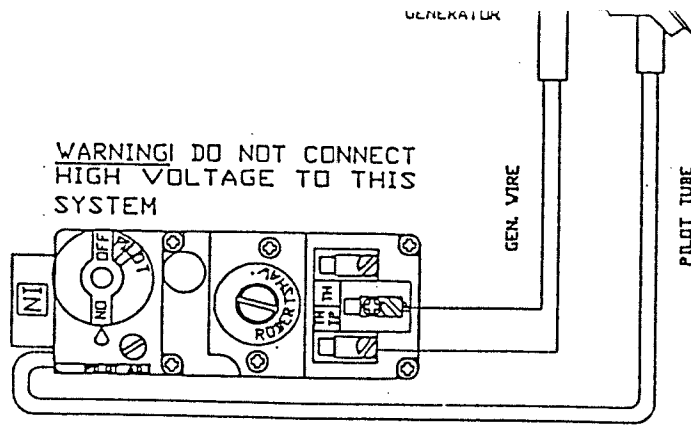


Figure 20

PROBLEM	CAUSE	SOLUTION
No spark when Piezo button is depressed	The nut which holds the Piezo in place is loose	Tighten nut
	Wire on back of Piezo button is loose or off	Put wire back in place
	Wire from Piezo to electrode is loose	Reconnect wire
	Electrode moved out of position	Realign electrode with 1/8" space between it and pilot
Burner won't light	Pilot not lit	Relight pilot
	Regulator valve not turned on	Turn valve to "on"
	Rocker switch not turned on	Press bottom of switch exposing the "Red" or on indicator
	Rocker switch wire not connected	Check wiring diagram and ensure all wires are secure
Fire goes out after running for several minutes	Obstructed chimney or down draft	Check chimney for obstruction
	Chimney not high enough	Add more chimney