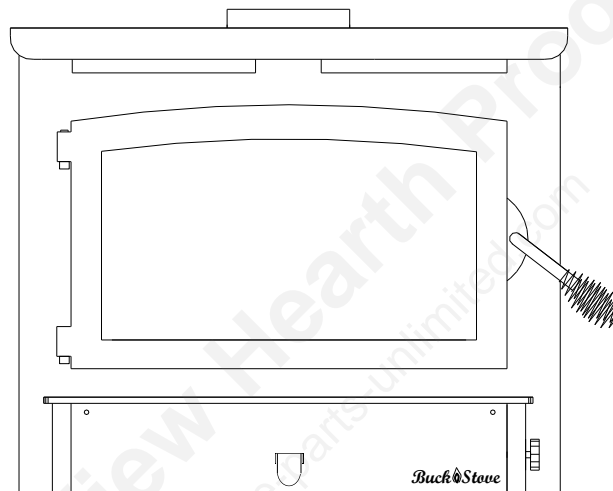


MODEL 74 NON-CATALYTIC UNIT



FIREPLACE INSERT & FREESTANDING

	FEATURES	
PREPARATIONS		INSTALLATION
OPERATION	MAINTENANCE	SAFETY

SAFETY NOTICE

IF THIS HEATER IS NOT PROPERLY INSTALLED, A HOUSE FIRE MAY RESULT. FOR YOUR SAFETY, FOLLOW THE INSTALLATION INSTRUCTIONS. CONTACT THE AUTHORITY HAVING JURISDICTION (SUCH AS MUNICIPAL BUILDING DEPARTMENT, FIRE DEPARTMENT, FIRE PREVENTION BUREAU, etc.) CONSULT BEFORE INSTALLATION TO DETERMINE THE NEED TO OBTAIN A PERMIT. KEEP THESE INSTRUCTIONS FOR FUTURE USE.

TESTED AND LISTED BY:  ITS/WARNOCK HERSEY, MIDDLETON, WI

MANUFACTURED BY NEW BUCK CORPORATION
200 ETHAN ALLEN DRIVE
P.O. BOX 69
SPRUCE PINE, N.C. 28777
www.buckstove.com

Revised May 2015

Mountain View Hearth Products
manuals.stove-parts-unlimited.com

TABLE OF CONTENTS

Important Instructions	2
Stove Identification	3
SECTION I: Introduction.....	4
Type of wood and loading procedures	4
Chimney Heights	5
SECTION II: Masonry Insert Installation.....	6
Installation Preparation-Fireplace	7
Mounting Trim Panels	9
SECTION III: Pre-Fab Insert Installation	12
SECTION IV: Residential Freestanding Installation	13
Floor Protection	14
Ceiling Exit Using Single Wall Pipe.....	15
Wall Exit to Metal Tee-Box	16
Wall Exit Masonry Flue Using Single Wall Pipe.....	17
Ceiling Exit-Close Clearance.....	18
Clearances To Combustibles Freestanding Without Close Clearance Shields and Using Single Wall Pipe.....	20
Residential / Mobile Home Double Wall or Shielded Single Wall Connector With Close Clearance Shields	21
Residential / Mobile Home Double Wall or Shielded Single Wall Connector Without Close Clearance Shields	22
Installation of Close Clearance Shields (Optional)	23
Alcove Installation Double or Shielded Single Wall Connector With Close Clearance Shields.....	24
SECTION V: Freestanding Mobile Home Installation	25
Out Side Air Installation	26-27
SECTION VI: Wood Heater Safety	31
SECTION VII: Operation	32
Guide To The Different Burning Qualities of Wood	33
SECTION IV Maintenance:	
Door Gasket Replacement.....	34
Brick Layout	35
Secondary Air Tubes Replacement	36
Optional Motor Installation.....	37-38
Check Chimney.....	39
Troubleshooting	40-41
Replacement Parts.....	42
Warranty	44

INSTALLATION, OPERATION AND MAINTENANCE INSTRUCTIONS MODEL 74NC

BEFORE INSTALLING YOUR NEW BUCK STOVE,
READ THE ENTIRE INSTRUCTION MANUAL

IMPORTANT INSTRUCTIONS

WARNING

THIS UNIT GENERATES HIGH HEAT, SO TREAT IT WITH CARE. **HOT WHILE IN OPERATION**. KEEP CHILDREN, CLOTHING AND FURNITURE AWAY. CONTACT MAY CAUSE SKIN BURNS. DO NOT USE CHEMICALS OR FLUIDS TO START THE FIRE. DO NOT BURN GARBAGE OR FLAMMABLE FLUIDS. DO NOT CONNECT TO ANY DISTRIBUTION DUCT OR SYSTEM. READ ALL INSTRUCTIONS BEFORE INSTALLING AND USING THE APPLIANCE. FAILURE TO FOLLOW INSTRUCTIONS MAY RESULT IN PROPERTY DAMAGE, BODILY INJURY OR EVEN DEATH. AVE THESE INSTRUCTIONS FOR FUTURE REFERENCES.

- The New Buck Corp. non-catalytic Model 94NC has been tested and listed by ITS, (Warnock Hersey) to ANSI/UL Standards, :UL1482(2000) :UL1482(2006) :UL1482(2010) Standard for Room Heaters, Solid Fuel Type.
- Install and operate your unit according to instructions provided in this manual. Local building codes may apply; therefore, contact your local building inspector or fire marshal for necessary installation requirements and permits which may go beyond these instructions. Contact your insurance company for coverage and installation inspection.
- **If appliance is installed in mobile homes:
DO NOT INSTALL IN SLEEPING ROOMS.**
- **NOTE: When burning any unit or appliance that combusts fuel for heat, such as coal, oil, wood or natural and (L.P.) liquid petroleum gas. Correctly place monitors in those areas that are expected to produce CO. Consult with your local fire safety officials to learn more**
- Examine the masonry fireplace and chimney prior to installation of fireplace accessory to determine that construction meets the minimum fireplace construction requirements illustrated in the instructions. Make sure that it is free from cracks, loose mortar, creosote deposits and other blockage, or other signs of deterioration.

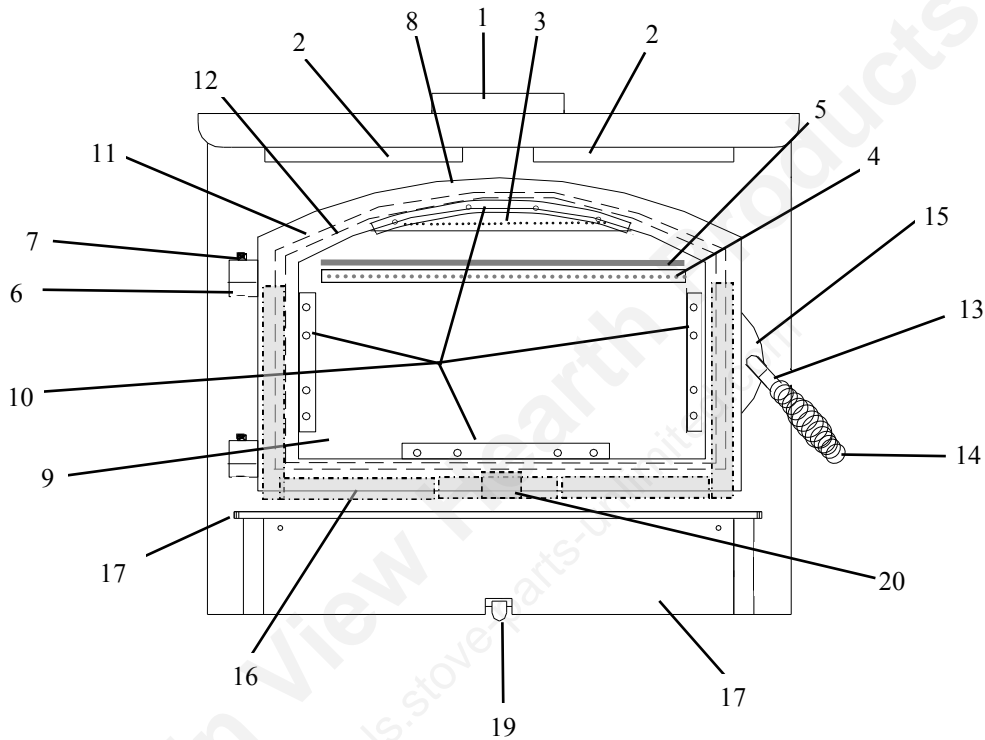
CAUTION

DO NOT USE MORE THAN ONE STOVE PER CHIMNEY. DO NOT USE A FLUE INTENDED FOR A GAS APPLIANCE. DO NOT CONNECT TO ANY DISTRIBUTION DUCT OR SYSTEM.

EPA COMPLIANCE STATUS

This manual describes installation and operation of the New Buck Corporation Model 74 wood heater. This heater meet the U.S. Environmental Protection Agency's Emission limits for wood heaters sold after July 1, 1992 and 2015. Under specific test conditions. Efficiency was calculated using CSA B415-10 stack loss method. A weighted average was used to calculate the overall efficiency across all of the 4 burn rate categories using the higher heating value (HHV).

MODEL 74 WOOD STOVE IDENTIFICATION



- | | |
|--|------------------------------------|
| 1. 6" Flue Exit | 15. -Door Latch |
| 2. Warm Air Outlets | -Door Latch Screw |
| 3. Air Wash and Screen | -Door Handle Bushing |
| 4. Secondary Air Tubes | -Door Handle Spacer |
| 5. Top Baffle Board | -Door Latch Flat Washer |
| 6. Hinge Block | -Door Latch Screws (Phillips Head) |
| 7. Hinge Pins | -Door Latch Screws (Allan Head) |
| 8. Door | 16. Firebrick |
| 9. Door Glass | 17. Hearth Extension |
| 10. Glass Clips Small; Side, Top, Bottom | 18. Cover Door |
| 11. Door Gasket | 19. Primary Air Control |
| 12. Door Glass Gasket | 20. Shotgun Air Box |
| 13. Door Handle | |
| 14. Spring Handle | |

CAUTION

YOUR CHIMNEY MUST BE CORRECTLY SIZED. A CHIMNEY THAT IS TOO SMALL OR LARGE IN DIAMETER, OR TOO SHORT, CAN CAUSE YOUR STOVE TO SPILL SMOKE WHEN DOOR IS OPENED.

SECTION I

INTRODUCTION

Your new MODEL 74 is a non-catalytic unit designed to meet the most stringent emissions standards without use of a catalytic combustor. This effect is achieved through use of secondary air which is mixed with primary air in unit's firebox.

For peak performance, we suggest use of natural seasoned hard wood, loading wood from front to rear.

NOTE: Soft woods such as pine, create more creosote, clogging of chimney and produce a less efficient burn performance.

You should not burn trash or garbage, artificial or paper logs, gift wrapping, treated or painted wood or any type of coal or flammable fluids.

**DO NOT USE CHEMICALS OR FLUIDS TO START THE FIRE.
DO NOT BURN GARBAGE OR FLAMMABLE FLUIDS.”**

The primary air, which is controlled by user, burns wood. Secondary air is admitted into firebox through secondary air tubes at top of firebox. This secondary air burns impurities in smoke released from initial wood burning. The temperature necessary for this combustion is maintained through firebrick refractory. If any more technical information is necessary, contact your local dealer.

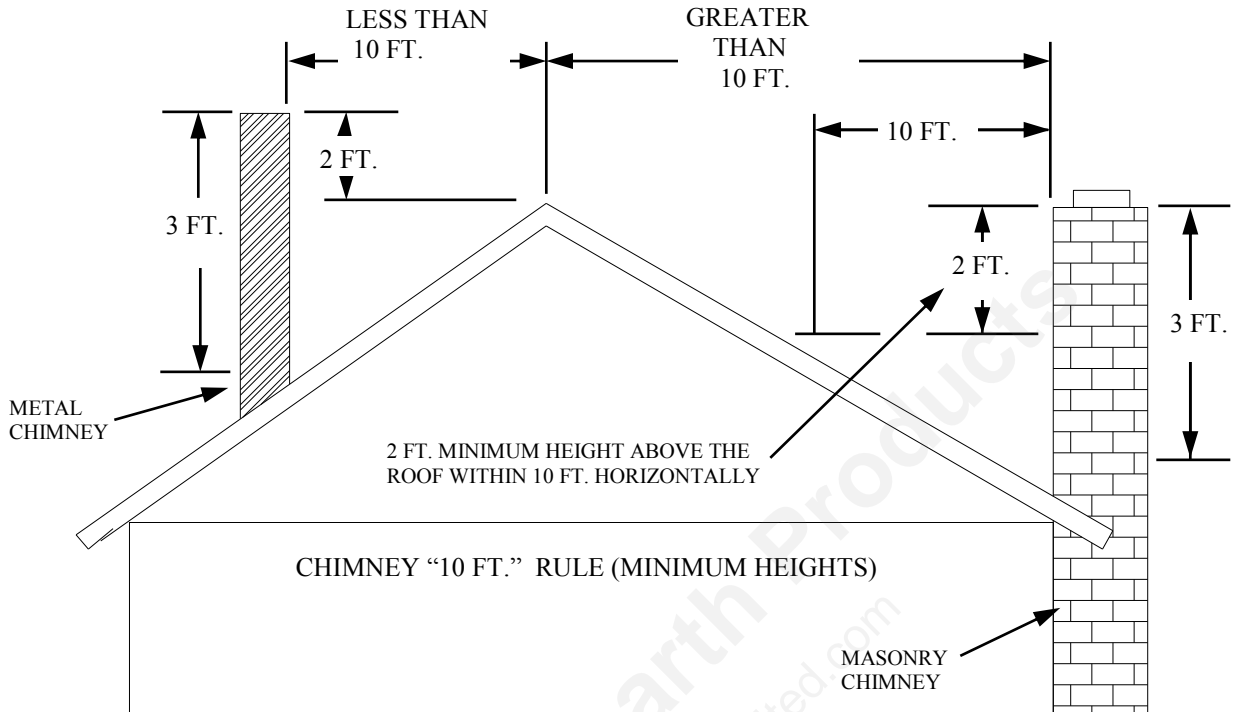
Under specific test conditions this heater has been shown to deliver heat at rates ranging from approximately 11,800 to 40,900 BTU/HR.

This unit may also be used with optional room air blower. To order optional motor assembly you must specify stove model number and give following part number:

*Model 74: Motor Assembly—MA 5126715

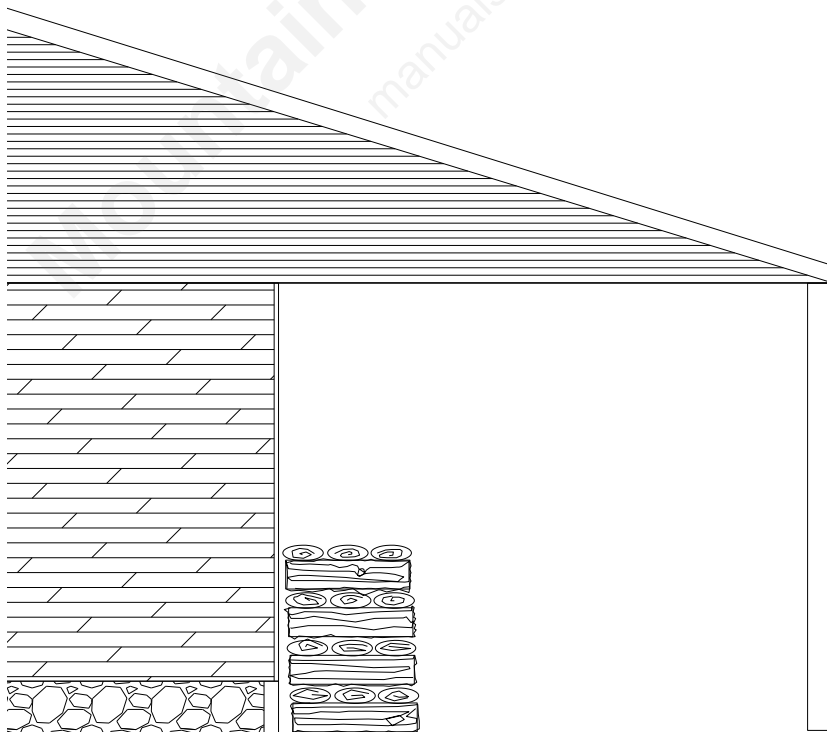
For operation and use of this electrical assembly, see instructions provided with motor assembly kit.

CHIMNEY HEIGHTS



NOTE: MINIMUM CHIMNEY HEIGHT 15 FT.

HOW TO STACK WOOD



Stack wood in criss-cross pattern under a shelter to allow air flow to dry wood and to keep wood from rain. Green wood may have 50-60% moisture content. Wood seasoned outside uncovered may have 40% moisture content. Wood properly seasoned in a covered environment will have less than 20% moisture content.

SECTION II

MASONRY INSERT INSTALLATION

The Model 74 may be installed using an all masonry fireplace built in accordance with Uniform Building Code and National Fire Protection Association (NFPA). The first step in this type of installation is to determine acceptability of fireplace and chimney for use with a woodstove. Both construction and condition of fireplace are important considerations when installing a woodstove. The chimney should extend at least 3' above roof and at least 2' above any point of roof within 10' (See Page 5).

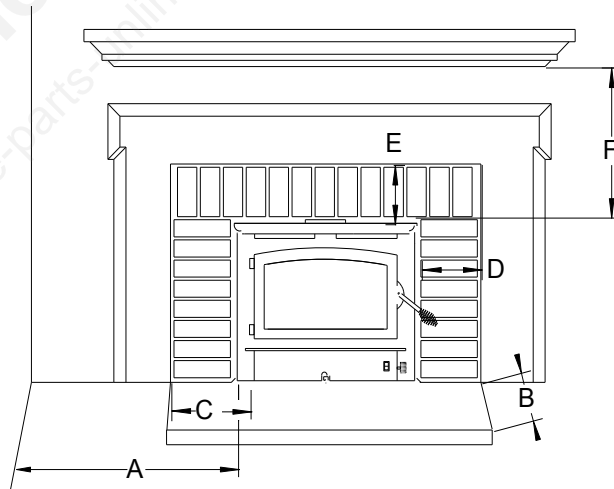
CAUTION

REMEMBER TO HAVE YOUR CHIMNEY INSPECTED FOR LEAKS AND BLOCKAGE BEFORE YOU INSTALL YOUR STOVE. DO NOT CONNECT THIS UNIT TO A CHIMNEY FLUE SERVING ANOTHER APPLIANCE.

MINIMUM CLEARANCE MASONRY INSERT

MODEL 74

A. Side Wall Combustible	16"
B. Front Floor Protector	20"
C. Side Floor Protector	8"
D. Side Wood Trim	10"
E. Top Wood Trim	10"
F. Mantel or Brackets	24"



1. The hearth must be of masonry construction and must extend a minimum of 20" in front of firebox opening and a minimum of 8" to either side of firebox opening.
2. If there is not minimum hearth protection from front of firebox opening and front of masonry hearth, a floor protector must be used in front of hearth to protect combustible materials. The floor protector must be 3/8" minimum thickness noncombustible material or equivalent.(See Page 14).

POSSIBLE TOOLS NEEDED FOR INSTALLATION

If you decide to install your own stove, there are several hand tools you may need to do the job. If you do not already have them, they are readily available at most hardware stores.

Caulking gun

Large adjustable wrench (may not be needed)

Drop cloths or newspapers

Vacuum cleaner or whisk broom

Flashlight

1 tube of RTV silicone, Code 103 or 106, or high temperature rubber cement rated between 450° F- 600° F

7/32" drill bit and drill

Socket/Ratchet Set

INSTALLATION PREPARATION

Fireplace:

1. Relocate furniture and other materials away from front of fireplace to allow free access to fireplace.
2. Cover hearth and adjacent floor areas with a drop cloths to protect from soiling or marring surface.
3. Remove existing fireplace damper plate.
4. Thoroughly clean fireplace of ashes and soot.
5. Check chimney and smoke chamber for excessive buildup of creosote or soot. Also, check for obstructions, such as bird's nests. If chimney is excessively dirty, clean it or have someone clean it professionally before installing or using room heater.
6. If fireplace has an ash dump or outside air provision, these must be sealed off with metal or tightly packed non-combustible insulation to prevent cold air from entering fireplace chamber.

MASONRY INSERT INSTALLATION INSTALLATION OPTIONS

This unit (appliance) may be installed into an all masonry fireplace, built in accordance with Uniform Building Code and National Fire Protection Association (*NFPA 211*).

NOTE: Check with local building officials for any permits required for installation of this unit and notify your insurance company before proceeding with installation

In cases such as improperly drawing fireplace, oversize flue liners are to meet codes in certain areas as it is recommended that one of the following procedures be followed.

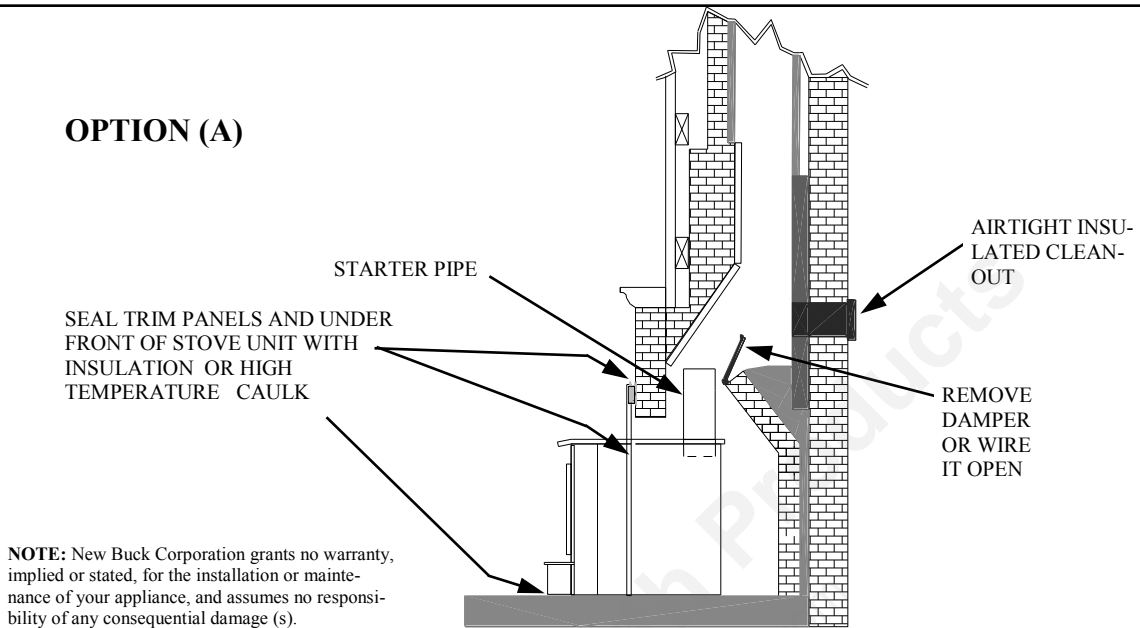
- A. A **Chimney Connector** can be installed from appliance flue exit through damper and with air-tight face seal. (See option (A) Page 8).
- B. A listed **Direct Connect** can be installed from appliance flue exit through damper into the first section of flue liner with air-tight seal. (See option (B) Page 8).
- C. A **Positive Connect** can be installed from appliance flue exit, continuing up through entire chimney and exiting at top of the chimney. (See option (C) Page 8).



SAFETY NOTICE

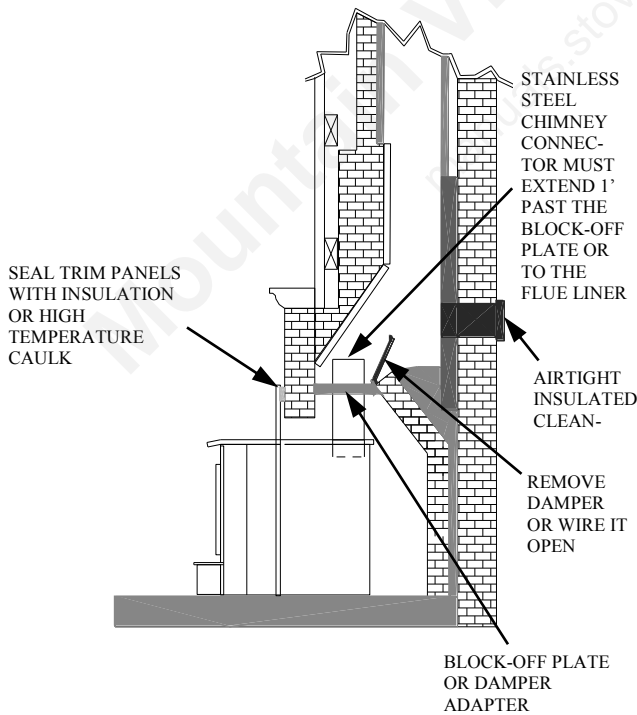
If this appliance is not properly installed, a house fire may result. For your safety, follow the installation directions. Contact local building or fire officials about restrictions and installation inspection requirements in your area.

OPTION (A)



OPTION (B)

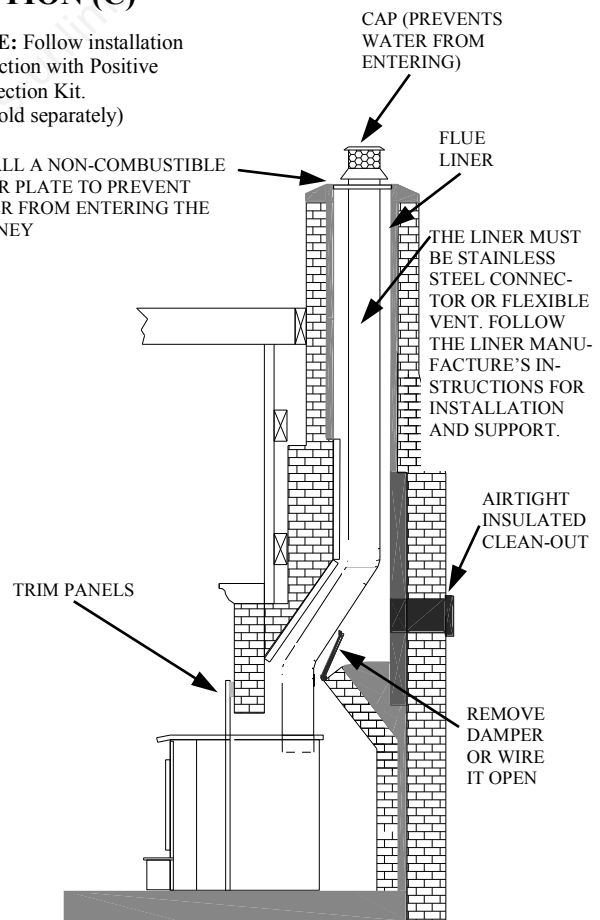
NOTE: Follow installation instruction with Direct Connection Kit. (Kit sold separately)



OPTION (C)

NOTE: Follow installation instruction with Positive Connection Kit. (Kit sold separately)

INSTALL A NON-COMBUSTIBLE COVER PLATE TO PREVENT WATER FROM ENTERING THE CHIMNEY



INSTALLATION PROCEDURE

(Use a chimney connector or a Listed Direct or Positive Connect) (See Page 8).

POSITIONING HEATER

When positioning heater, following conditions **MUST** be met! (See Figure 8).

1. The front of damper opening must be positioned **BEHIND** rear edge of lintel to ensure proper draft. (See Figure 8).
2. Center heater in fireplace opening.

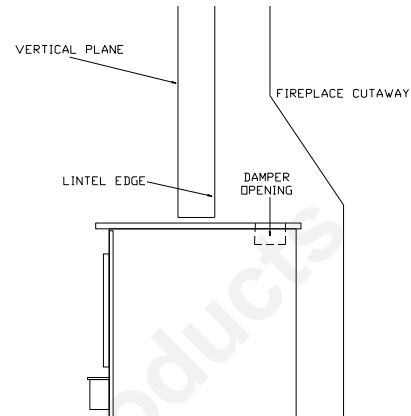


FIGURE 8 POSITIONING

MOUNTING TRIM PANELS

After unit is positioned, mark the mounting position of the trim panels as follows:

1. Place side trim panels in place, flat against face of fireplace. Mark down front edge of trim panel with a pencil to make a vertical reference line. (See Figure 9).
2. Place top (long) trim panel in place on top of unit. The panel should be flat against outside face of fireplace and standing vertically. Mark along lower edge of trim panel with a pencil to make a reference line for mounting.
3. Slide unit out of fireplace far enough to work behind trim panel reference lines.
4. Mount side trim panels. (See Figure 9).
 - a. Position trim panel on reference line.
 - b. Drill mounting holes in center of trim panel mounting brackets to allow for adjustment in and out if necessary.
 - c. Mount trim panel using self-tapping screws provided.
5. Place top panel back on reference mark. Take top trim panel mounting bracket supplied with unit. Position bracket so it overlaps rear lip of top trim panel. Drill mounting holes in top of stove using holes in bracket as guide. Tighten down screws.
6. Now, follow installation procedures in listed direct connect or positive connect kit you are using and install heater connect kit in fireplace. If not using one of installation methods shown on (Page 8). Continue.
7. Slide unit back into fireplace. Check to be sure that trim panels are properly positioned and lie flat against front of fireplace. If one or more of the panels is out of position, slide unit out and reset by loosening mounting screws and repositioning in slot.
8. Reinstall top trim panel by sliding rear lip of top trim panel underneath front lip of mounting bracket already secured to top of unit.

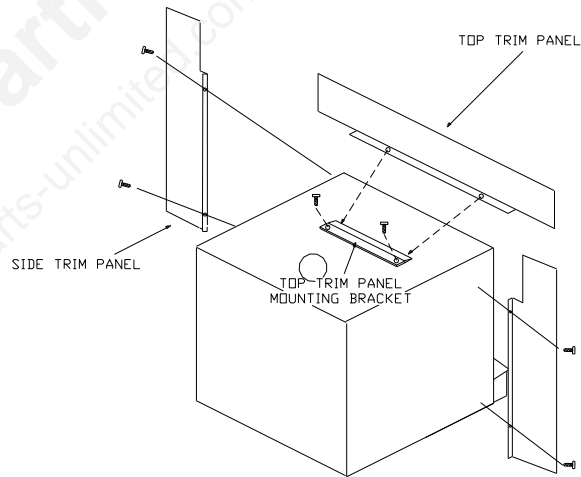


FIGURE 9 MOUNTING TRIM PANELS

NOTE: Mount top trim panel so that it sits in front of top of side trim panels.

9. Obtain brass trim kit provided with insert kit and slip over top and sides of trim panels. Top ends of brass may need to be trimmed to fit (See Figure 10).
10. Using insulation provided, peel and stick to back of panels overlapping fireplace dimensions by 1" on each side and top. (See Figure 11).
11. Next using high heat silicone or furnace cement, run heavy bead of caulking around where panels meet stove. (See Figure 11).
12. Slide unit back into fireplace. Check to be sure that trim panels (and brass) are properly positioned and lie flat against front of fireplace. If panels are out of position, slide unit out and reset by loosening mounting screws and repositioning in the slot. With bar lift stove up in front. Place insulation across front and surface of hearth or bottom of fireplace to make complete seal.
13. To check seal of panels, use candle flame and go around entire area sealed by silicone and insulation. If flame leans toward inside of fireplace, add additional insulation. This ensures an airtight seal.

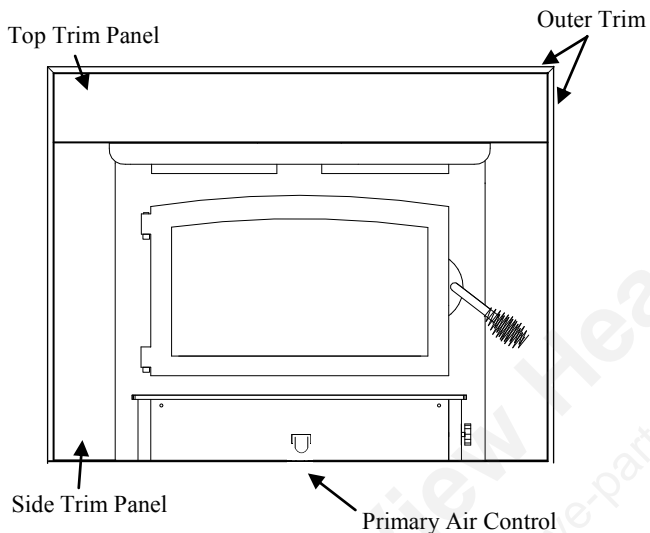


FIGURE 10

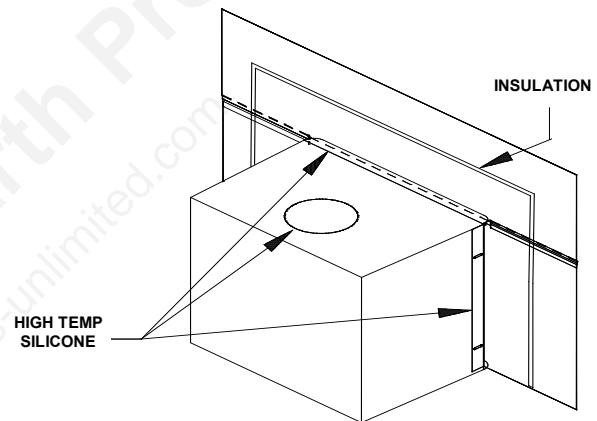


FIGURE 11

FINAL CHECK

1. Recheck specified clearances.
2. Remove all foreign material from firebox area.
3. Open primary air control
Primary Air Control: The primary air intake draft control is located at center of hearth. It is operated by moving handle **IN** to open (to allow air into the firebox) or **OUT** to control or close off air into firebox. (See Figure 10).
4. Plug power cord into a 115V AC outlet if optional motor is being used. Do not run power cord under unit or in high traffic areas.
5. Place crumpled pieces of newspaper in stove. Light it and close door. Ensure that stove draws properly through primary draft.

NOTE: Do not use grate or elevate fire. Build wood fire directly on inner bottom of fire box.

6. Check for smoke leaks around the door.
7. Open door and check for smoke escaping from front of stove. Smoking usually indicates a defective or poorly positioned chimney. Some chimneys with a marginal draft can be preheated by lighting newspaper and holding it near open damper with a poker or fire tong. Once chimney heats up, a proper draft can usually be obtained.

If a thorough review of Troubleshooting Guide in manual does not reveal the problem, contact your dealer for assistance.

CAUTION

THE UNIT IS PAINTED WITH A SPECIALLY FORMULATED HIGH TEMPERATURE PAINT THAT CURES DURING THE FIRST TWO OR THREE FIRINGS. YOU MAY NOTICE A SLIGHT SMOKING EFFECT AND AN ODOR OF BURNING PAINT WHEN YOU BUILD THE FIRST FIRES. THIS IS NORMAL AND IS NOT A CAUSE FOR ALARM. IN SOME CASES, THESE FUMES WILL ACTIVATE A SMOKE ALARM. OPENING A WINDOW NEAR THE UNIT WILL ALLOW THESE FUMES TO ESCAPE. DO NOT BUILD A LARGE, ROARING FIRE UNTIL THIS CURING IS COMPLETE OR HEATER FINISH MAY BE DAMAGED.

The connector and/or chimney should be inspected at least once a month during heating season to determine if a creosote buildup has occurred.

CAUTION

NEVER USE GASOLINE, GASOLINE-TYPE LANTERN FUEL, KEROSENE, CHARCOAL LIGHTER FLUID OR SIMILAR LIQUIDS TO START OR "FRESHEN UP" A FIRE IN THE HEATER. KEEP ALL SUCH LIQUIDS WELL AWAY FROM THE STOVE WHEN IT IS IN USE. ALL FLUIDS OF THIS TYPE GIVE OFF VOLATILE FUMES AND CAN AND WILL EXPLODE!! DON'T TAKE A CHANCE WITH THE SAFETY OF YOUR HOME AND FAMILY.

SECTION III

PRE-FAB INSERT INSTALLATION

The Model 74 has been tested with the following UL listed manufactured Pre-Fab Fireplaces:

Heatilator	Security
Tempco	Preway
Marco	FMI
Woodside	Majestic

The Model 74 will fit any of models that are large enough to accept them.

NOTE: A full chimney liner is required in a Zero Clearance or pre-fab fireplace.

NOTE: The ash lip, smoke baffle and smoke shelf may be removed if necessary to provide room for these models. Any other alteration to unit will void ALL New Buck Corporation responsibility and liability. The warning label below supplied with stove must be attached to the back of fireplace.

Except for the “notes” above, please follow the instructions for Masonry Insert Installation including Minimum Clearances for stove and floor protector in Section II.

NOTE: When installing trim panels DO NOT COVER ANY EXITING LOUVERS OR AIR OPENING IN PRE-FABRICATED FIREPLACE.

WARNING: This fireplace must be restored to its original condition for safe use, if the fireplace insert is removed.

SECTION IV

RESIDENTIAL FREESTANDING INSTALLATION

Select an installation location that will give best airflow from front of heater to remainder of the home.

PREPARING STOVE FOR INSTALLATION

1. Inspect unit for any obvious physical damage.
2. Plug power cord into a 115V AC outlet to test motor and fan. Do not run power cord under unit or in high traffic areas.
3. Check primary air draft control to ensure that it slides freely. (See Figure 12).
4. Remove any items from within the firebox. Spread a dropcloth on floor behind heater. Next, tilt heater so that back is on drop cloth.
5. **(Leg Kit):** If legs are to be used, obtain four legs, attach legs to holes in bottom of unit with bolts and washers supplied with leg kit. (See Figure 12).
6. **(Pedestal Kit):** If pedestal kit is being used and out side air is required for residential free standing installation (see page 25 Out Side Air Installation). Open freestanding kit and obtain stand. Place stand against bottom of heater (angle side to heater). Center stand front to back and also center stand left and right. Mark screw locations on bottom of stove through outer holes of stand mounting angles. Set stand aside and drill four 7/32" holes in heater bottom. Then mount stand to bottom of heater with screws provided. (See Figure 13).
7. Obtain four (4) 3/16" self-tapping screws and secure stand to heater.
8. Reposition heater to upright position.

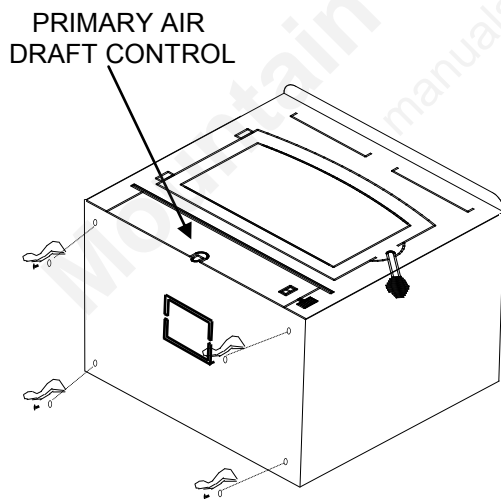


Figure 12

HOLES FOR MOUNTING PEDESTAL

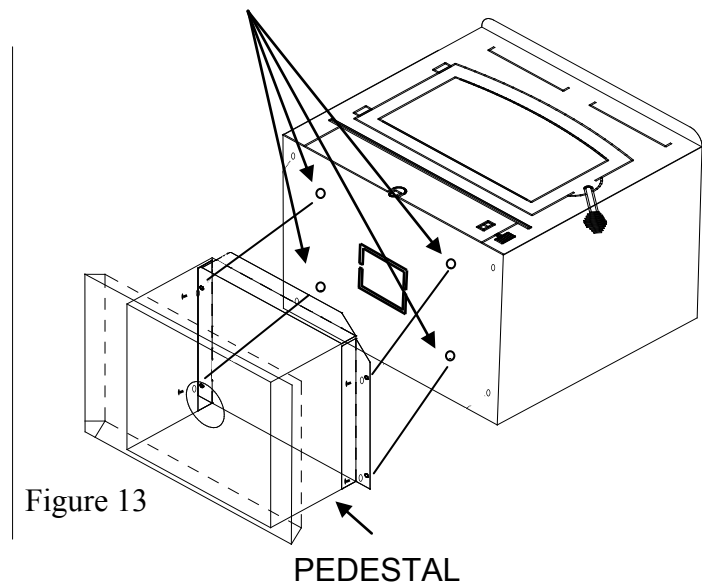


Figure 13

PEDESTAL

Chimney

This model is designed for connection to any listed 2100° UL103 HT chimneys and parts. Follow chimneys manufacturer's instructions carefully.

This room heater must be converted to (1) a chimney complying with the requirements for Type HT chimneys in the Standard for chimneys, Factory-Built, Residential, Type and Building Heating Appliance, UL 103, or (2) a code approved masonry chimney with a flue liner.

Floor Protection:

When installing freestanding heater, a floor protector must be use. Floor protector must be 3/8" minimum thickness non-combustible material or equivalent.

How to use alternate materials and how to calculate equivalent thickness

An easy means of determining if a proposed alternate floor protector meets requirements listed in the appliance manual is to follow this procedure:

1. Convert specification to R-value:
 - R-value is given—no conversion is needed.
 - K-factor is given with a required thickness (T) in inches:
C-factor is given: $R=1/C$
2. Determine the R-value of the proposed alternate floor protector.
 - Use the formula in step (1) to convert values not expressed as "R"
 - For multiple layers, add R-values of each layer to determine the overall R-value.
3. If the overall R-value of the system is grater than the R-value of the specified floor protector, the alternate is acceptable.

Example:

The specified floor protector should be 3/4" thick material with a K-factor of 0.84.
The proposed alternate is 4" brick with a C-factor of 1.25 over 1/8" mineral board with a K-factor of 0.29.

Step (a): Use formula above to convert specification to R-value. $R= 1/K \times T = 1/0.84 \times .75 = 0.893$

Step (b): Calculate R of proposed system. 4" brick of $C=1.25$, therefore $R_{brick} = 1/C = 1/1.25 = 0.80$ 1/8" mineral board of $K = 0.29$, therefore $R_{min.bd.} = 1/0.29 \times 0.125 = 0.431$

Step (c): Compare proposed system R of 1.231 to specified R of 0.893. Since proposed system R is greater than required , the system is acceptable.

Definitions:

$$\text{Thermal conductance} = C = \frac{\text{Btu}}{(\text{hr})(\text{ft}^2)(\text{°F})} = \frac{\text{W}}{(\text{m}^2)(\text{°K})}$$

$$\text{Thermal conductance} = K = \frac{(\text{Btu})(\text{inch})}{(\text{hr})(\text{ft}^2)(\text{°F})} = \frac{\text{W}}{(\text{m})(\text{°K})} = \frac{(\text{Btu})}{(\text{hr})(\text{ft})(\text{°F})}$$

$$\text{Thermal conductance} = R = \frac{(\text{ft}^2)(\text{hr})(\text{°F})}{\text{Btu}} = \frac{(\text{m}^2)(\text{°K})}{\text{W}}$$

Install in accordance with 24 CFR, Part 3280 (HUD).

CAUTION

SPECIAL METHODS ARE REQUIRED WHEN PASSING THROUGH A WALL OR CEILING. SEE INSTRUCTIONS AND BUILDING CODES. DO NOT CONNECT THIS UNIT TO A CHIMNEY FLUE SERVING ANOTHER APPLIANCE.

DETERMINING CHIMNEY LOCATION

A. CEILING EXIT (USING SINGLE WALL (minimum 24ga.) pipe and 2100° UL 103 HT type chimney system listed with manufacturer in this section of manual.)

1. Suspend a plumb bob from ceiling above unit so that weight is hanging in center of flue exit. (A small weight on a string will serve as a plumb bob). Mark ceiling where string is suspended to locate center of chimney. (See Page 16, Figure 14).
2. After locating center of hole, install ceiling support box, chimney flashing and rain cap, per chimney manufacturer's instructions.

Now connect stove and ceiling support box using #24 ga. minimum blue or black steel connector pipe (**DO NOT USE GALVANIZED PIPE**). Connect each section so crimped end faces downward and secure each section to each other using at least three (3) sheet metal screws or rivets. Also use three (3) sheet metal screws to fasten pipe to collar on heater. (See Page 16, Figure 14).

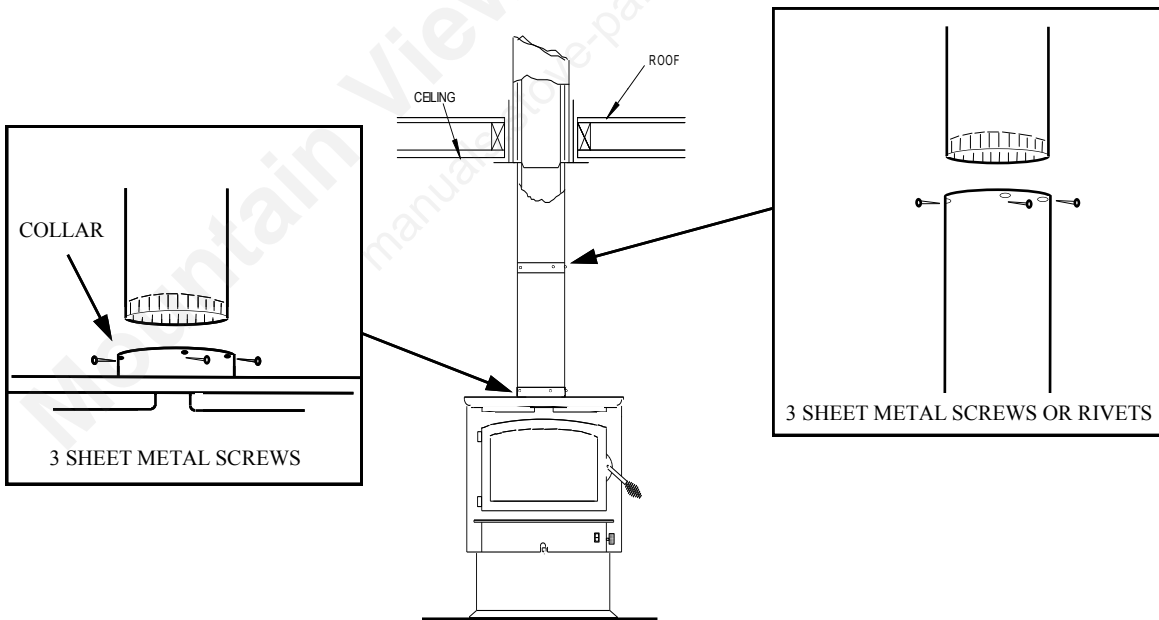


Figure 14

B. Wall Exit Into Metal Tee-Box

1. Mark plumb line on wall directly behind center of heater. (See Figure 15).

NOTE: When using 24# ga. minimum blue or black steel pipe, maintain 18" between pipe and ceiling. (See Figure 15).

NOTE: Floor protector must be under horizontal pipe exit (See Figure 18, Page 20).

2. Place vertical portion of heater pipe and elbow in position and project a point onto Plumb line level with center of elbow.

3. Measure up so there will be at least 1/4" rise per foot of horizontal connector pipe, maintaining clearances to ceiling as noted in (Figure 15). This will give you center of hole for chimney penetration.

4. After locating center of penetration, install tee-box and chimney, as per chimney manufacturer's specifications.

5. Connect chimney connector to tee-box using #24 ga. minimum blue or black steel connector pipe.

DO NOT use galvanized pipe. Connect each section so the crimped end faces downward and secure each section to each other using three (3) sheet metal screws or rivets. (See page 15 Figure 14).

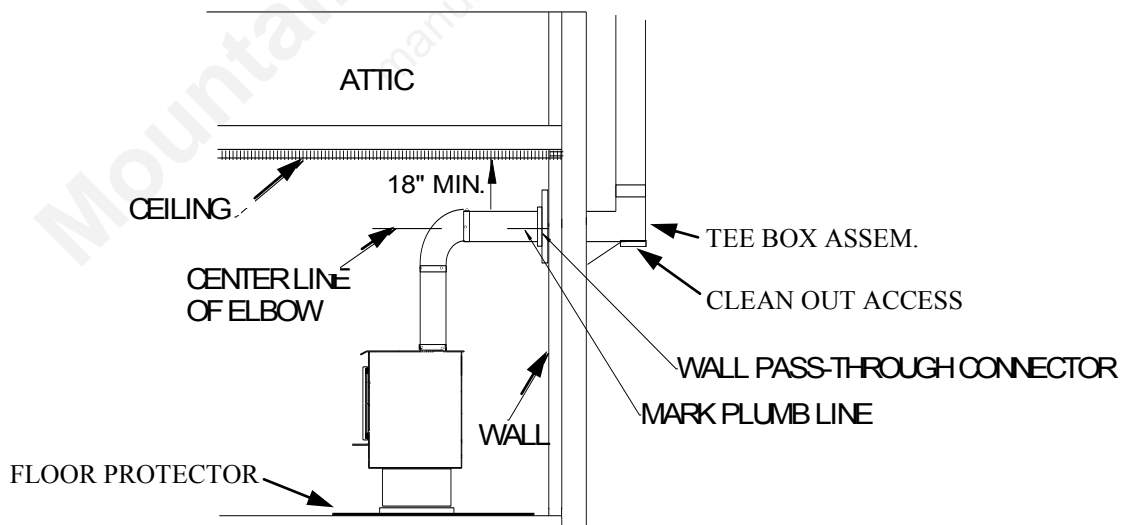


Figure 15

C. Wall Exit Into Masonry Flue (Using Single Wall Pipe)

1. Before connecting these units to a masonry chimney, determine that masonry flue pass-through connector thimble meets NFPA-211 Code and local building codes and is a minimum of 18" from ceiling. If connector thimble does not meet these codes, the pass-through connector must be modified. (See Figure 16)

NOTE: Floor protector must be under horizontal pipe exit (See Figure 18, Page 20).

Connectors may pass through walls or partitions constructed of combustible material if connector is:

- (a) Either listed for wall pass-through or is routed through a device listed for wall pass-through and is installed in accordance with conditions of listing.
- (b) Selected or fabricated in accordance with conditions and clearances as stated in **NFPA-211** Code. Any unexposed metal that is used as part of a wall pass-through system and is exposed to flue gases shall be constructed of stainless steel or other equivalent material that will resist corrosion, softening or cracking from flue gases at temperatures up to 1800° F.

In addition, a connector to a masonry chimney shall extend through wall to inner face or liner but not beyond. It should be firmly cemented to masonry.

EXCEPTION:

A thimble may be used to facilitate removal of chimney connector for cleaning, in which case thimble shall be permanently cemented in place with high-temperature cement.

2. Once through-the-wall thimble codes are met, simply connect chimney collar to wall pass-through connector using #24 ga. minimum, blue or black steel connector pipe as follows:
 - (a) Maintain 1/4" rise per foot (horizontal length) from appliance to chimney.
 - (b) Connect each section so crimped end faces downward.
 - (c) Secure each section to each other using at least three (3) sheet metal screws or rivets. (See Page 15, Figure 14).
 - (d) Use three (3) sheet metal screws to fasten pipe to connector collar on heater. (See Page 15, Figure 14).

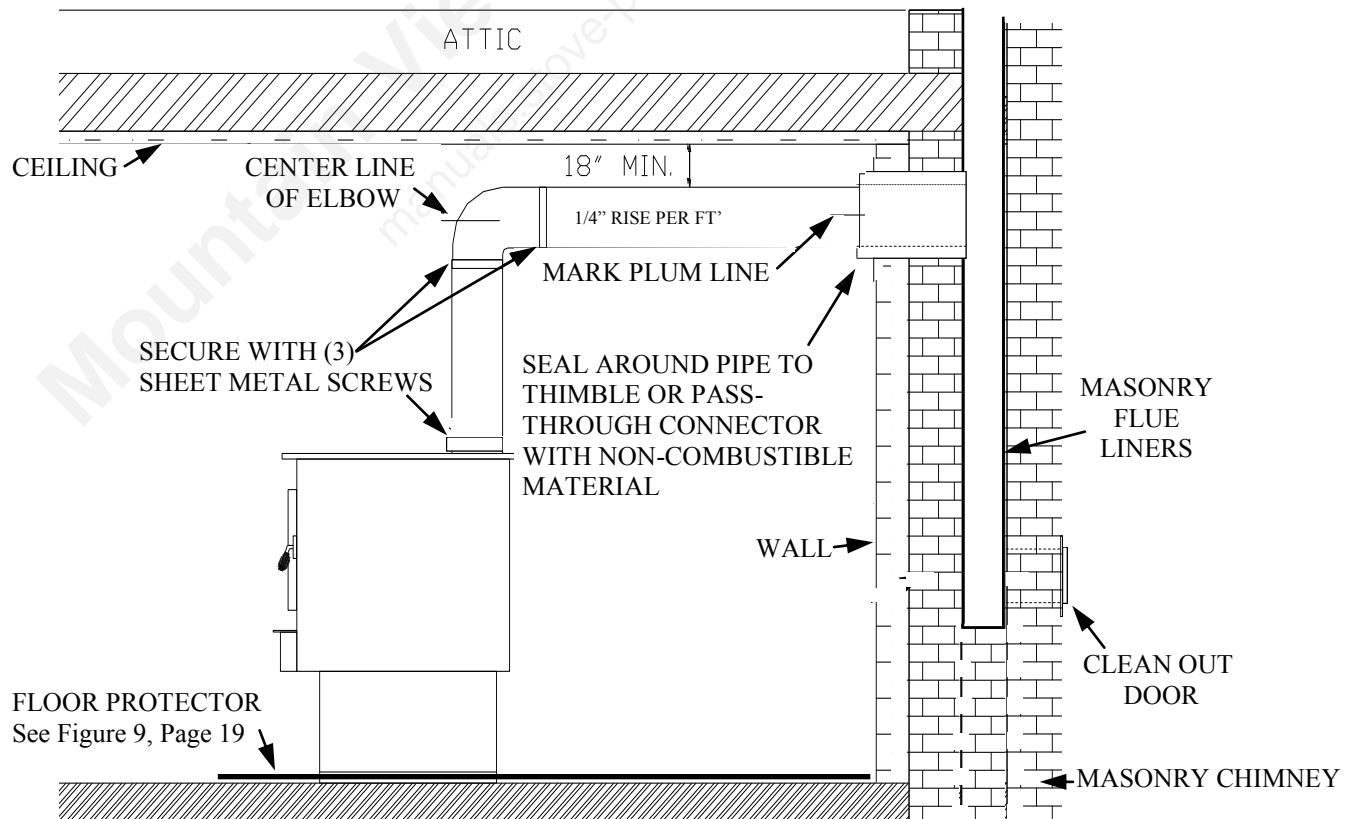


Figure 16

D. Ceiling Exit-Close Clearance

1. Suspend a plumb bob from ceiling above unit so that weight is hanging in center of flue exit (A small weight on a string will serve as a plumb bob). Mark ceiling where string is suspended to locate center of chimney hole.
2. After locating center of hole, install ceiling support box, chimney flashing and rain cap.
3. Install Double Wall Connector and close clearance chimney systems, per manufacturers written instructions. See stove manufacturers list of tested pipes (See Below).

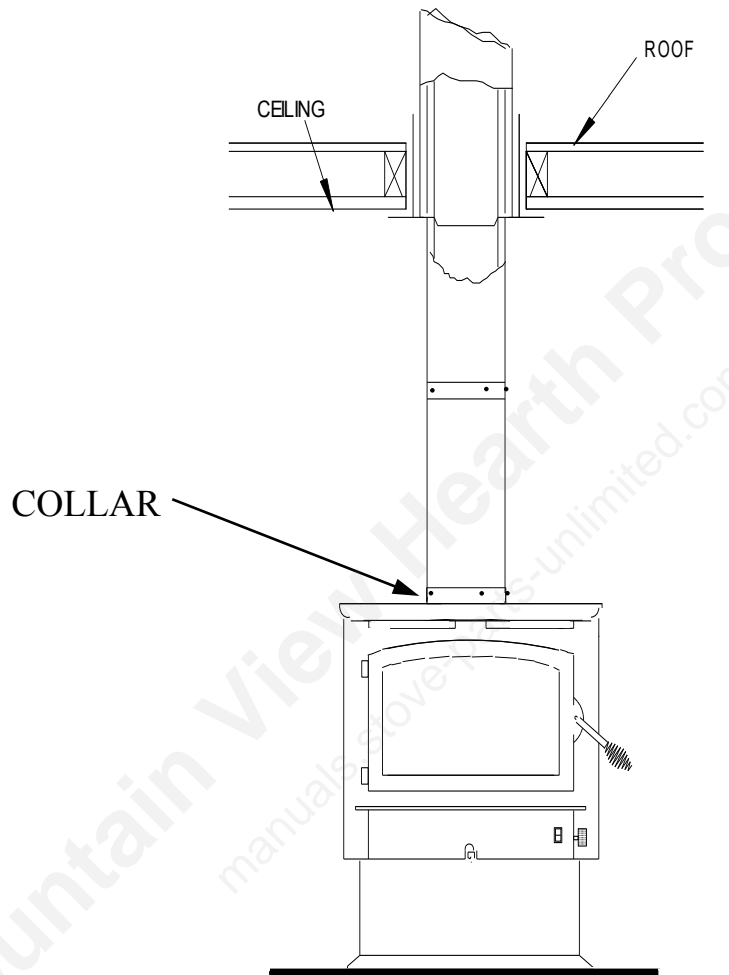


Figure 17

This unit may be installed using the following double wall close clearance chimney systems:

(1) 6" Simpson Dura-Vent double wall chimney connector "Type DVL" and 6" Simpson Dura-Vent 2100° HT. "Type DP" chimney. **(2)** 6" Security Type DL double wall connector and 6" Security Type "ASHT" High Temp Chimney. **(3)** 6" Selkirk Metal Bestos Model "DS" double wall connector- 6" Selkirk Metal Bestos Model SSII Type HT Chimney System. **(4)** 6" Metal Fab Type "DW" double wall connector- 6" Metal Fab 2100 HT chimney. **(5)** 6" Air Jet. **(6)** Jakes Evans. For minimum clearances (See pages 20,21,22).

Alcove Installation Clearances

Alcove installation must use 6" Double Wall Connector and 6" Type 2100° UL 103 HT Pipe listed for close clearance reduction that is listed in this manual. For measurements and minimum clearances (See page 24).

FINAL CHECK

1. Recheck specified clearances.
2. Remove all foreign material from firebox area.
3. Open primary air draft.
4. Plug power cord into a 115V AC outlet when using with optional motor. Do not run power cord under unit or in high traffic areas.
5. Place crumpled pieces of newspaper in stove. Light it and close door. Ensure that stove draws properly through primary draft.
6. Check for smoke leaks around door.

CAUTION

Open door and check for smoke escaping from front of stove. Smoking usually indicates a defective or poorly positioned chimney. Some chimneys with a marginal draft can be preheated by lighting newspaper and holding it near open damper with a poker or fire tong. Once chimney heats up, a proper draft can usually be obtained.

If a thorough review of Troubleshooting Guide in manual does not reveal problem, contact your dealer for assistance.

CAUTION

The unit is painted with a specially formulated high temperature paint that cures during first two or three firings. You may notice a slight smoking effect and an odor of burning paint when you build first fires. This is normal and is not a cause for alarm. In some cases, these fumes will activate a smoke alarm. Opening a window near unit will allow these fumes to escape. DO NOT build a large, roaring fire until this curing is complete or the heater finish may be damaged.

CLEARANCES FOR MODEL 74 MINIMUM CLEARANCES TO COMBUSTIBLES RESIDENTIAL / SINGLE WALL CONNECTOR WITHOUT OPTIONAL CLOSE CLEARANCE SHIELDS AND PIPE SHIELD

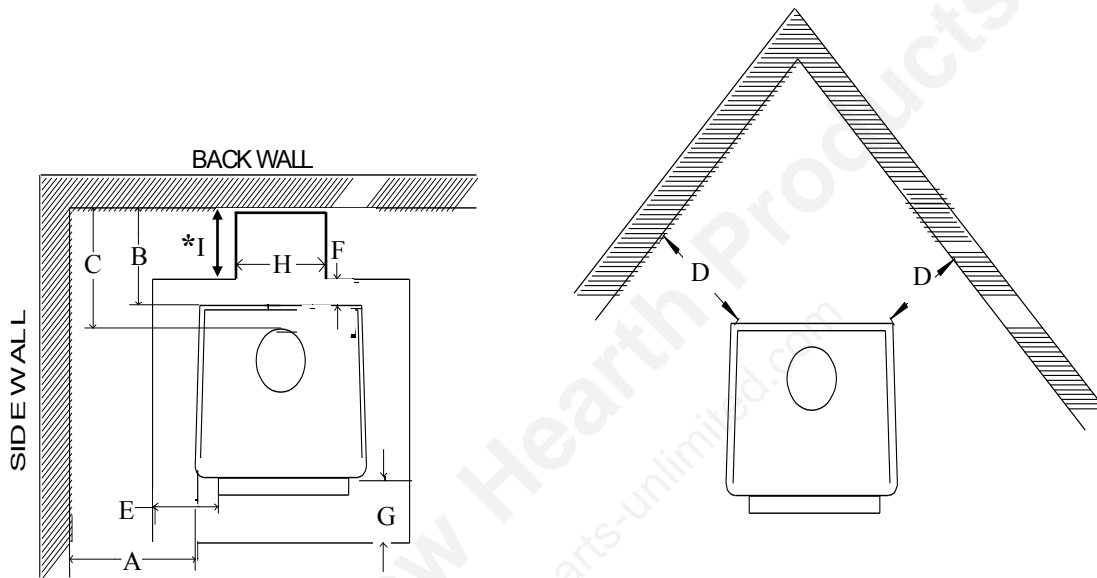


Figure 18

	A	B	C	D	E	F	G	H	*I
MODEL 74	25"	8"	10.5"	8"	8"	6"	20"	10"	FULL LENGTH PIPE TO WALL

NOTE: All clearances are to combustibles using single wall pipe without optional close clearance shields and pipe shield, minimum floor protector. Clearances above may be reduced. Follow **NFPA-211** codes if available or follow instructions on next page.

* For wall exit, floor protector must be under horizontal pipe full length of pipe. There must be 2" on each side of pipe. Maintain 18" between pipe and ceiling. (See Figure 18, measurements H & *I).

**CLEARANCES FOR MODEL 74
 MINIMUM CLEARANCES TO COMBUSTIBLES
 RESIDENTIAL / MOBILE HOME
 DOUBLE WALL OR SHIELDED SINGLE
 WALL CONNECTOR WITH OPTIONAL CLOSE CLEARANCE
 SHIELDS AND PIPE SHIELD**

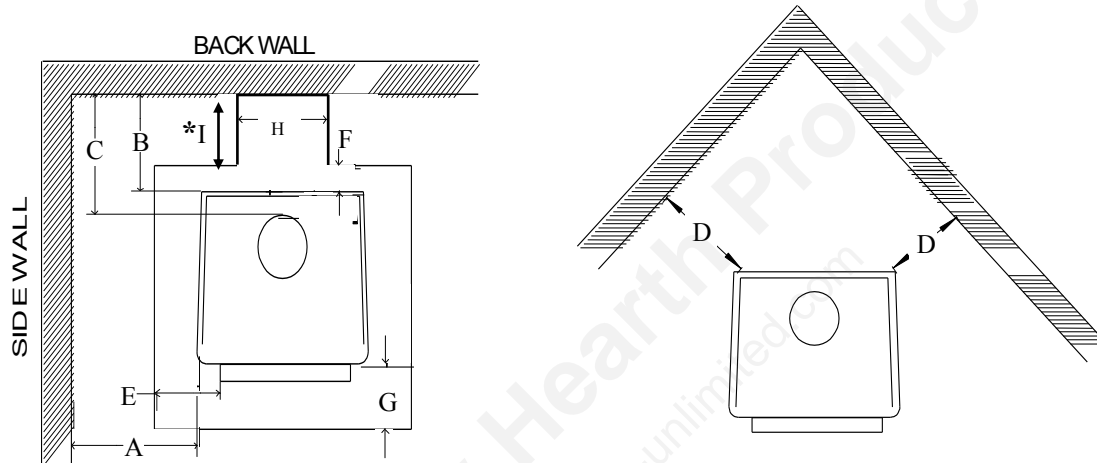


Figure 19

	A	B	C	D	E	F	G	H	*I
MODEL 74	23"	4"	6.5"	4"	8"	6"	20"	10"	FULL LENGTH PIPE TO WALL

NOTE: All clearances are to combustibles with double wall or shielded single wall pipe with optional close clearance shields and pipe shield, minimum floor protector.

* For wall exit, floor protector must be under horizontal pipe full length of pipe. There must be 2" on each side of pipe. Maintain 18" between pipe and ceiling.
 (See Figure 19, measurements F & *I).

**CLEARANCES FOR MODEL 74
 MINIMUM CLEARANCES TO COMBUSTIBLES
 RESIDENTIAL / MOBILE HOME
 DOUBLE WALL OR SHIELDED SINGLE WALL
 CONNECTOR WITHOUT OPTIONAL CLOSE
 CLEARANCE SHIELDS**

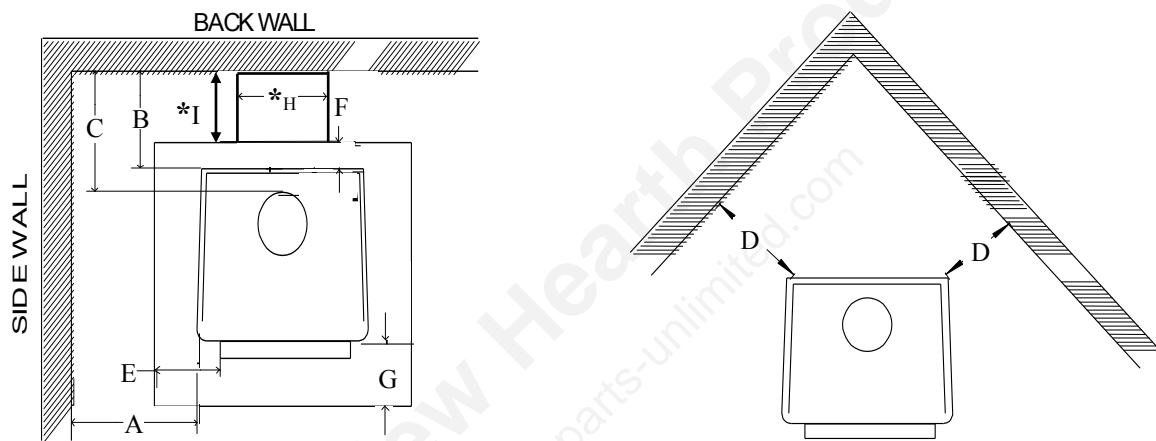


Figure 20

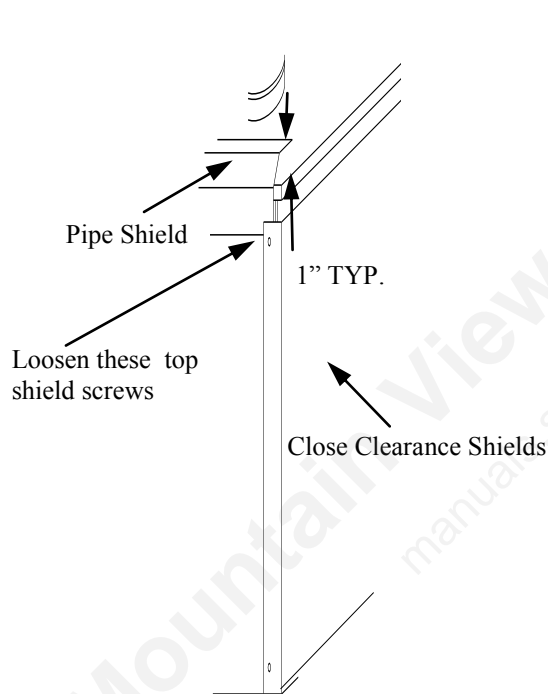
	A	B	C	D	E	F	G	*H	*I
MODEL 74	25"	4"	6.5"	4"	8"	6"	20"	10"	FULL LENGTH PIPE TO WALL

NOTE: All clearances are to combustibles using double or shielded single wall pipe without close clearance shields and pipe shield, minimum floor protector.

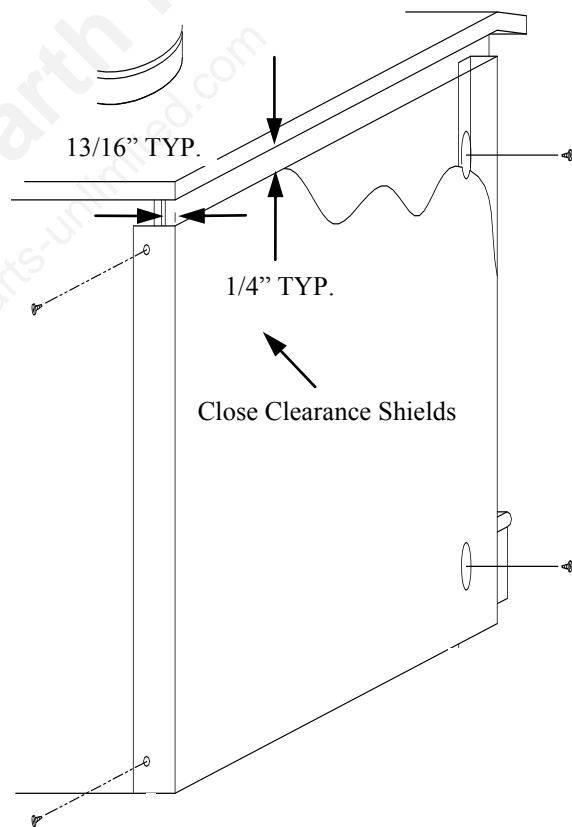
* For wall exit, floor protector must be under horizontal pipe full length of pipe. There must be 2" on each side of pipe. Maintain 18" between pipe and ceiling. (See Figure 20, measurements H & *I).

Installation of (Optional) Close Clearance Shields and Pipe Shield

1. Taking close clearance side shields, hold up to side of stove leaving 1/4" gap between shield and top of stove.
2. Make reference mark in center of pre-punched hole in top & bottom of shield. Drill two (2) 3/32" holes in back of unit on each side. Insert self tapping screws in through shield into stove. (SEE PICTURE BELOW)
3. Drill two (2) 3/16" holes in the sides of stove where shield meets front side. Insert two (2) 3/8" self-tapping screws. (SEE PICTURE BELOW)
4. Next loosen two (2) top screws holding side shield at rear top. Insert pipe shield where back shield and top rear side shield meets. Leave a 1" gap from top of stove to pipe shield, tighten screws. (SEE PICTURE BELOW)



Installation of (Optional) Pipe Shield



Installation of (Optional) Close Clearance Shields

CLEARANCES FOR MODEL 74 ALCOVE INSTALLATION DOUBLE WALL OR SHIELDED SINGLE WALL CONNECTOR WITH OPTIONAL CLOSE CLEARANCE SHIELDS AND PIPE SHIELD

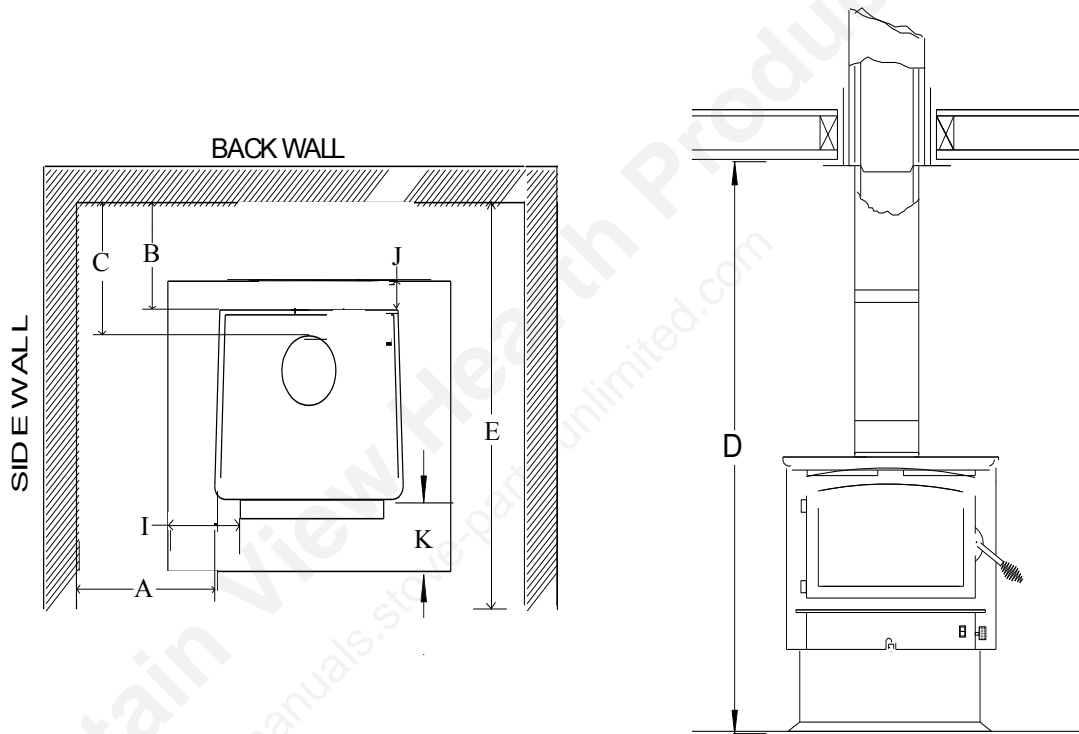


Figure 22

	A	B	C	D	E	I	J	K
MODEL 74	23"	4"	6.5"	84"	36"	8"	6"	20"

NOTE: All clearances are to combustibles using double wall or shielded single wall pipe and optional close clearance shields and pipe shield only, minimum floor protector. (See Figure 22).

SECTION V

FREESTANDING MOBILE HOME INSTALLATION

Floor Protection:

When installing freestanding heater, a floor protector must be used. Floor protector must be 3/8" minimum thickness non-combustible material or equivalent.

How to use alternate materials and how to calculate equivalent thickness

An easy means of determining if a proposed alternate floor protector meets requirements listed in the appliance manual is to follow this procedure:

1. Convert specification to R-value:
 - R-value is given—no conversion is needed.
 - K-factor is given with a required thickness (T) in inches:
C-factor is given: $R=1/C$
2. Determine the R-value of the proposed alternate floor protector.
 - Use the formula in step (1) to convert values not expressed as "R"
 - For multiple layers, add R-values of each layer to determine the overall R-value.
3. If the overall R-value of the system is greater than the R-value of the specified floor protector, the alternate is acceptable.

Example:

The specified floor protector should be 3/4" thick material with a K-factor of 0.84.

The proposed alternate is 4" brick with a C-factor of 1.25 over 1/8" mineral board with a K-factor of 0.29.

Step (a): Use formula above to convert specification to R-value. $R= 1/K \times T = 1/0.84 \times .75 = 0.893$

Step (b): Calculate R of proposed system. 4" brick of $C=1.25$, therefore $R_{brick} = 1/C = 1/1.25 = 0.80$ 1/8" mineral board of $K = 0.29$, therefore $R_{min.bd.} = 1/0.29 \times 0.125 = 0.431$

Step (c): Compare proposed system R of 1.231 to specified R of 0.893. Since proposed system R is greater than required, the system is acceptable.

Definitions:

$$\text{Thermal conductance} = C = \frac{\text{Btu}}{(\text{hr})(\text{ft}^2)(\text{°F})} = \frac{W}{(\text{m}^2)(\text{°K})}$$

$$\text{Thermal conductance} = K = \frac{(\text{Btu})(\text{inch})}{(\text{hr})(\text{ft}^2)(\text{°F})} = \frac{W}{(\text{m})(\text{°K})} = \frac{(\text{Btu})}{(\text{hr})(\text{ft})(\text{°F})}$$

$$\text{Thermal conductance} = R = \frac{(\text{ft}^2)(\text{hr})(\text{°F})}{\text{Btu}} = \frac{(\text{m}^2)(\text{°K})}{W}$$

Install in accordance with 24 CFR, Part 3280 (HUD).

TOOLS FOR INSTALLATION

This model is designed for connection to any 2100° UL 103 HT chimneys. Follow chimney manufacturers instructions carefully.

Drop cloth, 3/32" Metal drill bit, 5/16" magnetic socket chuck adapter, 5/16" wrench (box or socket) or adjustable wrench, Jigsaw with masonry, metal and wood blades

WARNING: DO NOT INSTALL IN A SLEEPING ROOM.

PREPARING STOVE FOR INSTALLATION

1. Remove protective plastic wrapping from unit, inspect unit for any obvious physical damage.
2. Plug power cord into a 115V AC outlet to test motor and fan when optional motor is being used. Do not run power cord under unit or in high traffic areas.
3. Check primary air draft control to ensure that it slides freely.(See Figure 23).
4. Remove any items from within firebox. Spread a dropcloth on floor behind heater. Next, tilt heater so that back is on drop cloth.
5. **(Leg Kit):** If legs are to be used, obtain four legs, attach legs to holes in bottom of unit with bolts and washers supplied with leg kit. (See Figure 23).
6. **(Pedestal Kit):** If pedestal kit is being used and out side air is required see below, *Out Side Air Installation*. Open freestanding kit and obtain stand. Place stand against bottom of heater (angle side to heater). Center stand front to back and also center stand left and right. Mark screw locations on bottom of stove through outer holes of stand mounting angles. Set stand aside and drill four 7/32" holes in heater bottom. Before attaching heater to the stand, take a large flat screwdriver or pliers and remove 2" x 2" knockout on bottom of unit. (See Figure 24).
7. Obtain four (4) 3/16" self-tapping screws and secure stand to heater. (See Figure 24).
8. Reposition heater to upright position.

PRIMARY AIR
DRAFT CONTROL

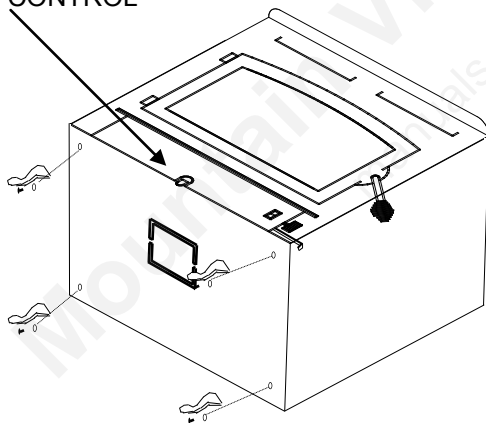


Figure 23

HOLES FOR MOUNTING PEDESTAL

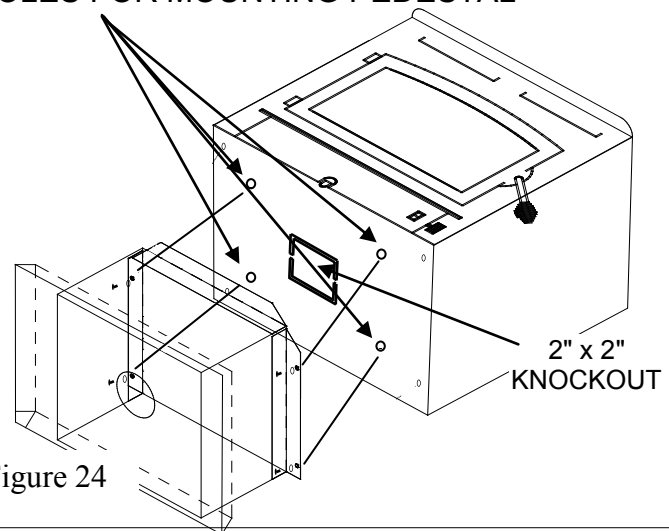


Figure 24

Out Side Air Installation

CAUTION

THE STRUCTURAL INTEGRITY OF MOBILE HOME FLOOR MUST BE MAINTAINED. (MOVE OPENING AND/OR REPOSITION HEATER LOCATION IF NECESSARY).

1. Select an installation location that will give best airflow from front of heater to remainder of home.
2. Place protective floor pad in position. For minimum floor protection (See Page 25).
3. Place unit on pad making sure minimum clearance specifications are met. For minimum clearance to combustibles (See Page 21, Page 22).
4. Lightly mark with a pencil the location of pedestal on protective pad.
5. Next, remove four (4) screws holding the heater to stand. Position heater out of the way of installation area.
6. Check that pedestal stand is still aligned with marks on protective pad, now mark outside air opening in bottom of pedestal stand on to pad.
7. Mark center line of outside air opening. Set stand aside for now.
8. Cut a 4 1/4" diameter hole in pad and continue through floor.

CAUTION!!

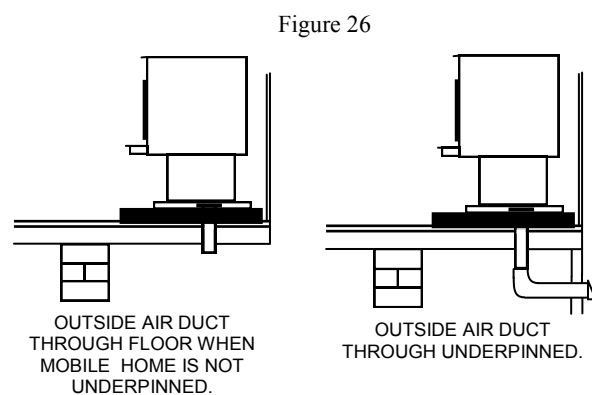
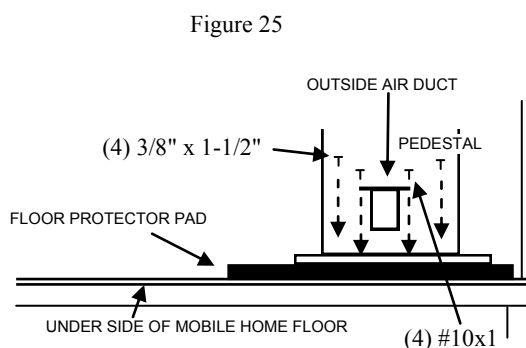
The structural integrity of the home floor must be maintained. (Move opening and/or reposition heater location if necessary).

9. Now, reposition pedestal stand and set on pad being sure to line stand up with reference marks.
10. Using an electric drill and 3/8" masonry bit, drill four (4) holes in protective pad using holes in bottom of pedestal stand as a guide. Be careful to drill only through pad and not into floor. Change bit to a 1/4" metal bit and drill through floor.
11. Using four (4) 3/8" x 1-1/2" lag bolts provided, secure pedestal stand and pad to floor of home.

CAUTION:

IF A THICK FLOOR PROTECTOR IS USED, YOU MAY HAVE TO USE LONGER LAG BOLTS.

12. Obtain outside air duct from box in pedestal kit marked FA P21B.
13. Slip duct down through the 4-1/4" hole until face of outside air duct contacts bottom of pedestal.
14. Secure outside air duct to inside bottom of pedestal using the four (4) #10x1 screws provided. (See Figure 25).
15. Set heater back onto stand and resecure using screws.
16. NOTE: If home is underpinned, you must duct through underpin as shown. (See Figure 26).



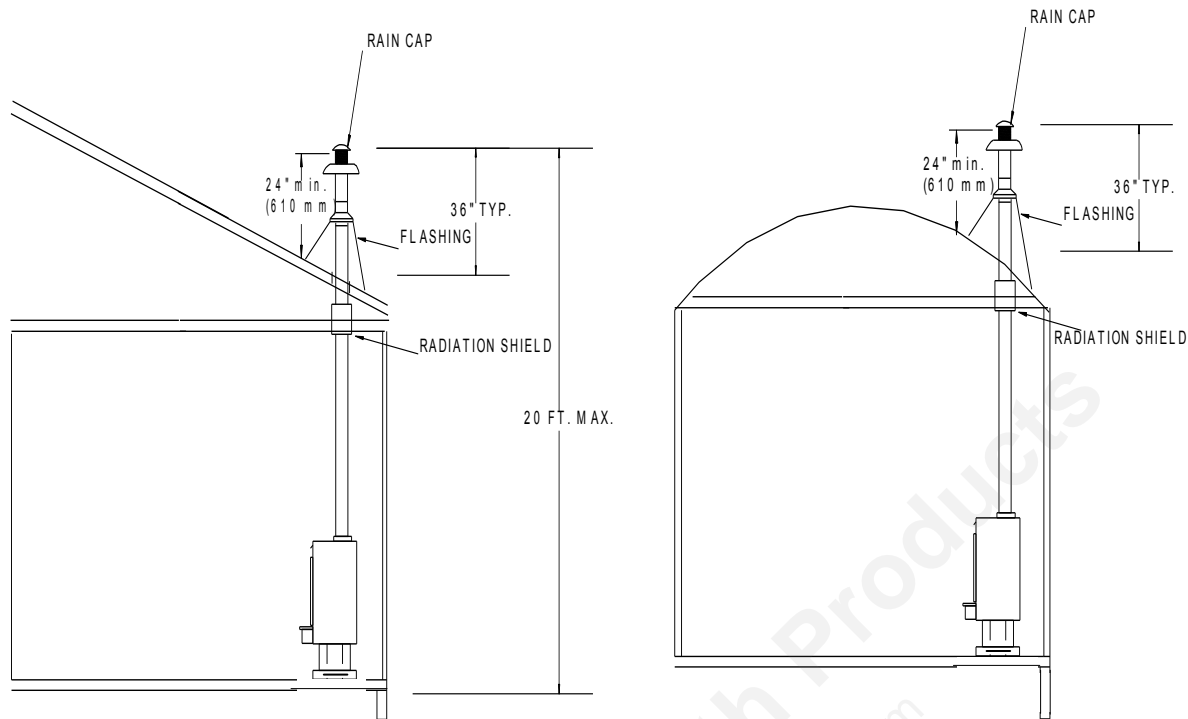


Figure 27

For ceiling exit using close clearance listed chimney

1. Suspend a plumb bob from ceiling above unit so that weight is hanging in center of flue exit. (A small weight on a string will serve as a plumb bob). Mark ceiling where string is suspended to locate center of chimney hole.
2. After locating center of hole install ceiling support box, chimney, flashing and rain cap using listed 2100° UL 103 HT chimney only. Only use pipe listed in this manual.

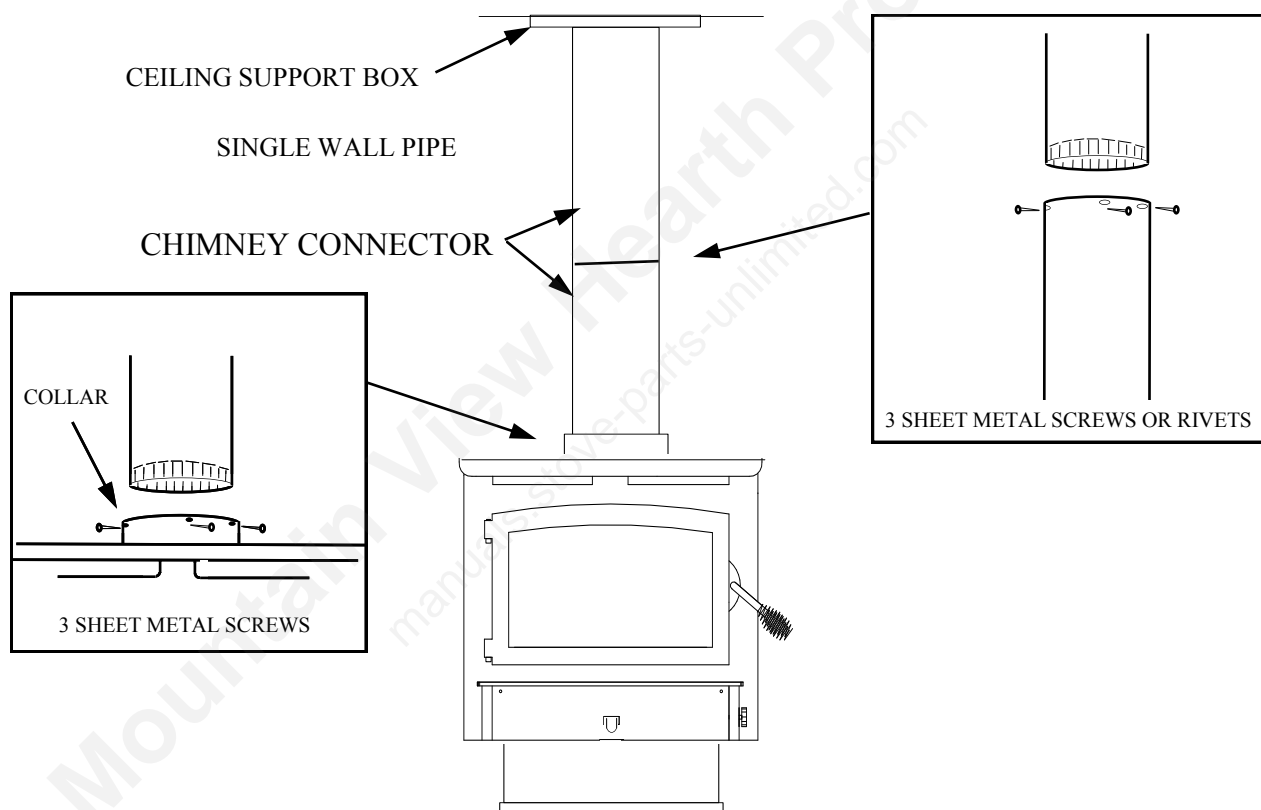
CAUTION

REFER TO CHIMNEY MANUFACTURER'S INSTRUCTIONS FOR ASSEMBLY AND DISASSEMBLY OF CHIMNEY PARTS. BE SURE TO FOLLOW CHIMNEY INSTRUCTIONS FOR PROPER CLEARANCES TO COMBUSTIBLE AND PROPER AIR SPACING REQUIRED.

3. Add additional pipe until both of the following are met: (See Figure 27).
 - (a) Chimney pipe is 3 feet higher than roof at the point where it penetrates roof.
 - (b) Chimney pipe height is at least 2 feet higher than any part of roof within 10 feet of chimney.

4. Next, install a New Buck Corporation chimney connector to flue of heater or use 3 “ELL” brackets and secure to top of heater and pipe.
5. Using single wall chimney connector, connect heater to chimney by following manufacturer's installation instructions exactly. (See Figure 28).

NOTE: CRIMPED END OF PIPE DOWN AND INSIDE OF PIPE BLOW IT.



Figur 28

FINAL CHECK

1. Recheck specified clearances.
2. Remove all foreign material from firebox area.
3. Open primary air draft.

NOTE: Plug power cord into a 115 VAC outlet. (If optional motor is being used.) Route cord to prevent damage to cord insulation from heat and sharp objects. Keep cord out of way of traffic to prevent damage caused by tripping, etc.

4. Plug power cord into a 115V AC outlet when using with optional motor. Do not run power cord under unit or in high traffic areas.
5. Place crumpled pieces of newspaper in stove. Light it and close door. Ensure that stove draws properly through primary draft.
6. Check for smoke leaks around door.
7. Open door and check for smoke escaping from front of stove. Smoking usually indicates a defective or poorly positioned chimney. Some chimneys with a marginal draft can be preheated by lighting newspaper and holding it near open damper with a poker or fire tong. Once chimney heats up, a proper draft can usually be obtained.

If a thorough review of Troubleshooting Guide in manual does not reveal problem, contact your dealer for assistance.

CAUTION

THE UNIT IS PAINTED WITH A SPECIALLY FORMULATED HIGH TEMPERATURE PAINT THAT CURES DURING FIRST TWO OR THREE FIRINGS. YOU MAY NOTICE A SLIGHT SMOKING EFFECT AND AN ODOR OF BURNING PAINT WHEN YOU BUILD FIRST FIRES. THIS IS NORMAL AND IS NOT A CAUSE FOR ALARM. IN SOME CASES, THESE FUMES WILL ACTIVATE A SMOKE ALARM. OPENING A WINDOW NEAR UNIT WILL ALLOW THESE FUMES TO ESCAPE. DO NOT BUILD A LARGE ROARING FIRE UNTIL THIS CURING PROCESS IS COMPLETE OR HEATER FINISH MAY BE DAMAGED.

SECTION VI

WOOD HEATER SAFETY

Certain safety hazards are inherent in any wood heater installation. You should be aware of these so that a safe and proper installation can be made.

1. **FAULTY CHIMNEY:** An older masonry chimney should be thoroughly checked to be sure there are no holes or weak spots which could allow sparks or hot gases to escape.
2. **HEAT CONDUCTION:** Placing combustible materials too close to a heater or chimney can be a fire hazard.

By keeping these particular hazards in mind as you install and use your room heater you can ensure a safe, reliable installation.

The chimney and chimney connector should be inspected once every two months. Any build-up of soot should be removed to prevent risk of a chimney fire. To remove chimney or chimney connector: remove screws or fasteners, remove pipe and clean with steel brush, replace chimney or chimney connector and replace screws and/or fasteners.

CAUTION

NEVER USE GASOLINE, GASOLINE TYPE LANTERN FUEL, KEROSENE, CHARCOAL LIGHTER FLUID OR SIMILAR LIQUIDS TO START OR "FRESHEN UP" A FIRE IN THE HEATER. KEEP ALL SUCH LIQUIDS WELL AWAY FROM THE STOVE WHEN IT IS IN USE. ALL FLUIDS OF THIS TYPE GIVE OFF VOLATILE FUMES AND CAN AND WILL EXPLODE!! DON'T TAKE A CHANCE WITH THE SAFETY OF YOUR HOME AND FAMILY.

CAUTION: Never remove ashes from heater with blower running.

DISPOSAL OF ASHES: Ashes should be placed in a metal container with a tight fitting lid. The closed container of ashes should be placed on a non-combustible floor or on the ground, well away from all combustible materials. If ashes are disposed of by burial in soil or otherwise locally dispersed, they should be retained in closed container until all cinders have thoroughly cooled.

CREOSOTE-FORMATION AND NEED FOR REMOVAL: When wood is burned slowly, it produces tar and other organic vapors, which combine with expelled moisture to form creosote. The creosote vapors condense in relatively cool chimney flue of a slow-burning fire. As a result, creosote residue accumulates on flue lining. When ignited this creosote makes an extremely hot fire

SECTION VII OPERATION/EFFICIENCY

1. "To maximize the efficiency of your wood stove make sure it is sized properly for the space you plan to heat. An oversized stove will burn and be forced to burn at a lower and dirtier burn rate. Consult with your dealer for sizing your stove correctly.
2. Use dry, seasoned wood only. Using wet wood will greatly reduce your efficiency.
3. Consult with your installer/dealer to correctly place the stove in your home. An incorrectly placed stove can greatly reduce efficiency.
Maximizing the efficiency of your stove will heat your house quickly, burn cleaner and use less wood.
Use dried split wood (6-12 months) and placed from front to back position in heater. (See Page 5 Bottom Picture).

"This wood heater has a manufacturer-set minimum low burn rate that must not be altered. It is against federal regulations to alter this setting or otherwise operate this wood heater in a manner inconsistent with operating instruction in this manual."

NOTE: "Following all suggested operating and maintenance procedures will help minimize visual emissions.

The following steps will serve as a guide for operating your stove.

BUILDING A FIRE

1. Open door.
2. Open primary air control. **Primary Air Controls:** The primary air intake draft control is located at right bottom side of hearth. It is operated by moving handle **out** to open (to allow air into firebox) or **in** to control or close off the firebox.
3. Twist two pieces of non-colored newspaper into a roll and place them on floor of firebox.
NOTE: Do not use grate or elevate fire. Build wood fire directly on inner bottom of fire box.
4. This model is not designed for use of grates, andirons or other methods of supporting fuel.
5. Lay several pieces of dry kindling on top of newspaper.
6. Place three or four small pieces of firewood, 2"-3" in diameter, on top of kindling.
7. Light newspaper in front. Close and latch door. Don't leave fire unattended at this point. The draft system of heater should start quickly. It may be necessary to preheat chimney to get draft started. To do this, open door and add newspaper to top rear of wood. Light or let this paper ignite and allow to burn while holding the door slightly cracked. Once draft has started, close and lock door. You are over-heating the unit if the chimney and or connector glows red.
8. **NOTE: After embers and a coal bed have been established, load heater with seasoned natural hard wood, placing it front to rear.**

NOTE: THE FUELING DOOR MUST REMAIN CLOSED DURING OPERATION.

BURN RATE:	LOW	MED-LOW	MED-HI	HI
AIR SETTINGS:	1/32"	5/32"	9/32"	WIDE OPEN

Your stove is equipped with an automatic thermostat. When stove gets hot enough, thermostat will activate room air blower. Set fan speed on low, when burning on low, med-low or med-high. Set fan speed on high when burning on high.

NOTE: When refueling or removing ashes turn "OFF" room air blower. Be sure to turn room air blower back on when finished.

NOTE: Do not run power cord underneath heater or in walk way or heavy traffic areas.

GUIDE TO THE DIFFERENT BURNING QUALITIES OF WOOD

Type of Wood	Ease of Starting	Coaling Qualities	Amount of Sparks
Apple	Poor	Excellent	Few
Ash	Fair	Good	Few
Beech	Poor	Good	Few
Birch	Good	Excellent	Moderate
Cherry	Poor	Excellent	Few
Cedar	Excellent	Poor	Many
Elm	Fair	Good	Very Few
Hemlock	Good	Low	Many
Hickory	Fair	Excellent	Moderate
Locust	Poor	Excellent	Very Few
Maple	Poor	Excellent	Few
Oak	Poor	Excellent	Few
Pine	Excellent	Poor	Moderate

The Main Audubon Society recently charted the heat produced by a wood fire. They noted that heat produced by a wood fire varies greatly with kind of wood burned. Beech is considered best wood for a fire. A cord of well-seasoned Beech will produce as much heat as 169 gallons of fuel oil; Sugar Maple and Red Oak produce as much heat as 166 gallons of fuel oil; followed by White Ash 154; American Elm 130; White Birch 124; and White Pine 94.

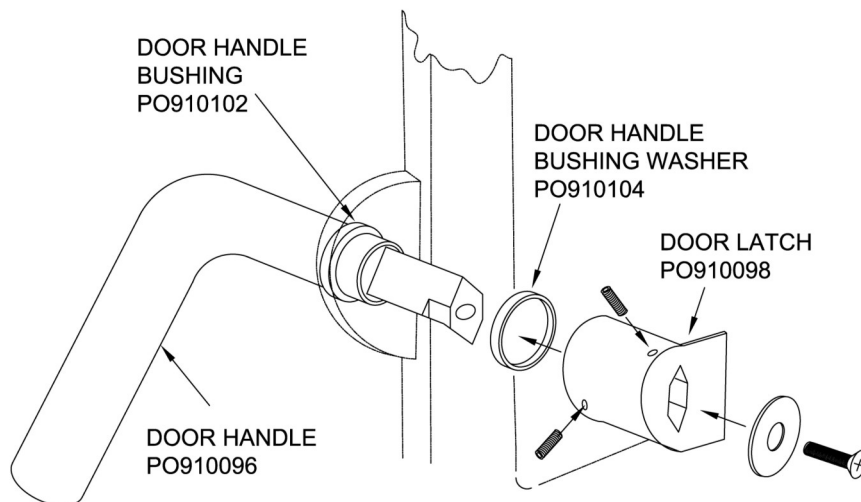
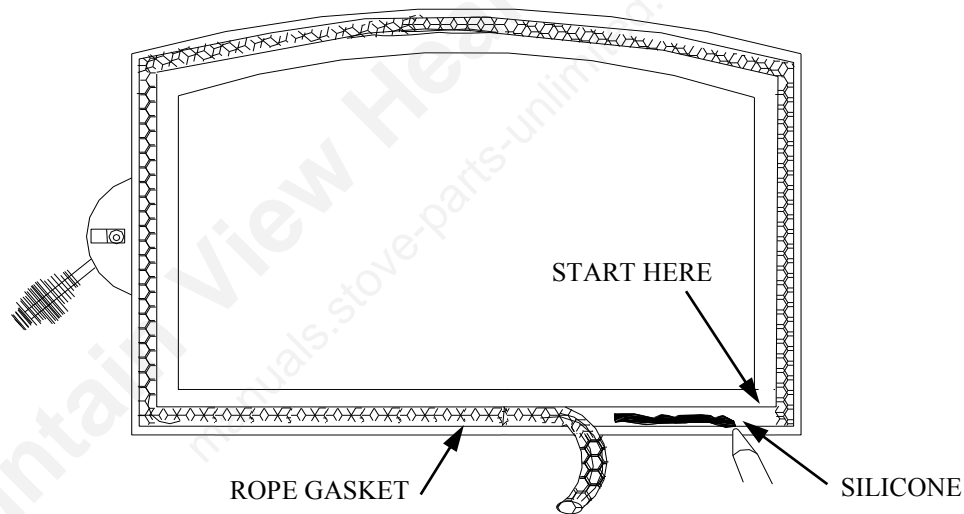
SECTION VI

MAINTENANCE

DOOR GASKET REPLACEMENT (COLD HEATER)

To replace deteriorated gaskets, follow these steps to ensure proper installation of gaskets.

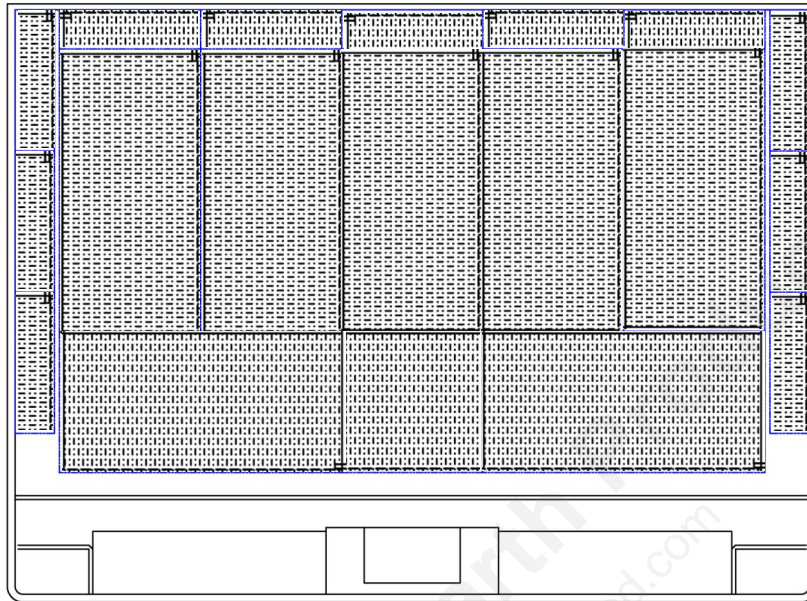
1. Obtain proper gaskets and silicone glue from your local dealer.
2. Using pliers, remove any worn and deteriorated gaskets.
3. Using a scraper, wire brush and sandpaper or steel wool, clean glue and gasket residue from door frame.
4. Measure and cut gaskets to length. Care should be taken not to stretch gaskets. What you want is a full and loose gasket weave after attachment to framing.
5. Obtain silicone glue and run a 3/16" bead inside door frame.
6. Obtain gasket (s) and place in gasket channel areas starting at lower right corner, see below. Use a technique which assures that gasket is applied in a loose like manner. **DO NOT STRETCH GASKETS.**
7. After gasket (s) are applied to glue, use your finger and go over all gasket gently pressing gasket to the channel. Use same pressure against gasket so that final result is an evenly applied gasket.
8. Leave door open and allow at least two (2) hours for glue to dry.
9. Once gaskets are checked, heater is ready for use.
10. This should be done annually. Allowing gaskets to deteriorate can cause over firing and shorten burn time.



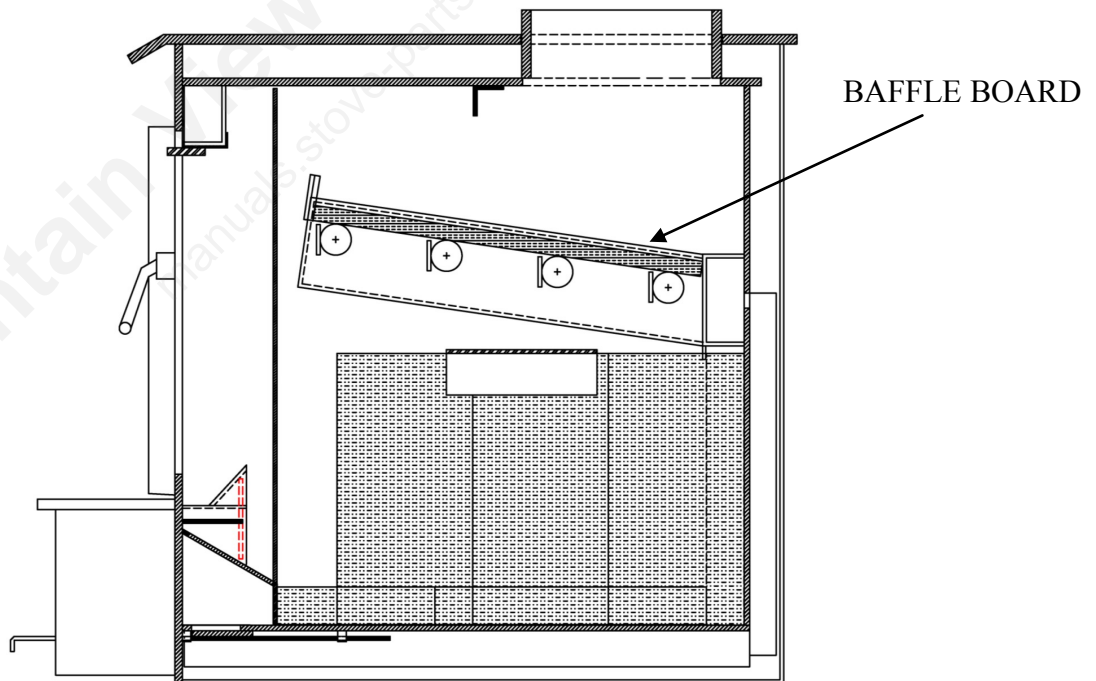
MAINTENANCE

BRICK LAYOUT

TOP VIEW



SIDE VIEW



NOTE: “This wood heater needs periodic inspection and repair for proper operation. It is against federal regulations to operate this wood heater in a manner inconsistent with operating instructions in this manual.”

MAINTENANCE

SECONDARY AIR TUBES REPLACEMENT

(Replacing secondary air tubes)
COLD STOVE

1. Unplug heater from 115V AC outlet.
2. Put drop cloth down.
3. Empty ashes.
4. Remove air tube. The (4) secondary air tubes are located in top of burn chamber. On right side of tubes you will find a cotter pin. To remove air tube remove cotter pin and slide tube to left, it will drop down, slide tube to right it should come out. (See Figure 32).
5. When replacing tubes you need to make sure you have ordered the correct tube. There are (2) front tubes , (2) rear tubes. See replacement parts (See Page 31).
6. Replace air tube. On one end of tube you will find a hole drilled on both sides through the tube. This end goes to right side. Place tube in left tube holder and slide other end of tube into right side tube holder. Line up through hole in air tube with tube holder bracket and replace cotter pin and bend slightly so it wont fall out.

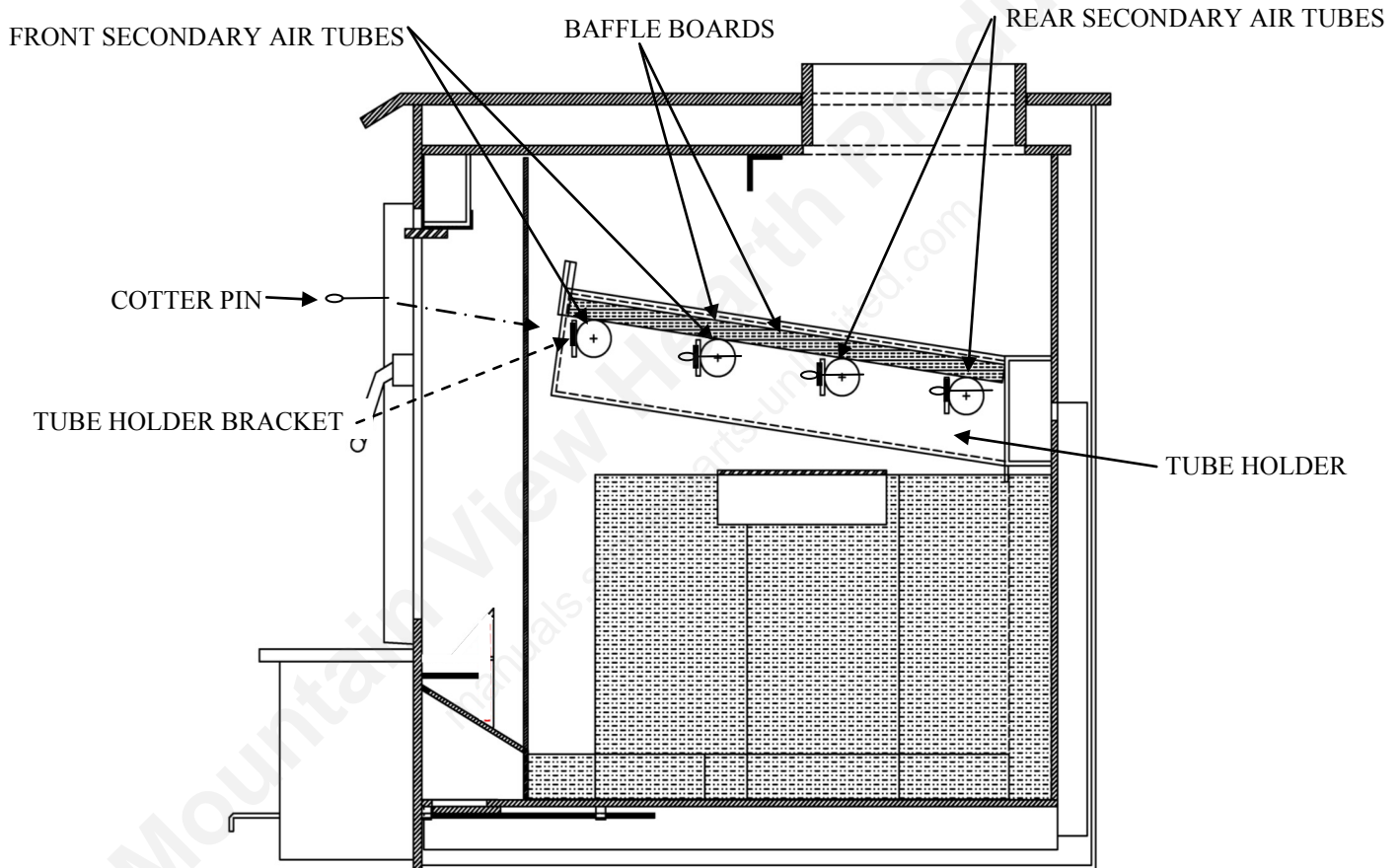


Figure 32

BAFFLE BOARDS REPLACEMENT

(Replacing baffle board)
COLD STOVE

1. Unplug heater from 115V AC outlet.
2. Put drop cloth down and empty ashes.
3. Repeat steps 1-5 from above removing 1st tube only.
4. The baffle boards run long ways front to rear. Lift and slide baffle board toward the front. (See Figure 32).
5. Replace baffle board making sure the board is seated on top of air tubes and behind front baffle board holder. After replacing both baffle boards replace front air tube following step 6 from secondary air tube replacement.

OPTIONAL MOTOR ASSEMBLY KIT INSTALLATION INSTRUCTIONS

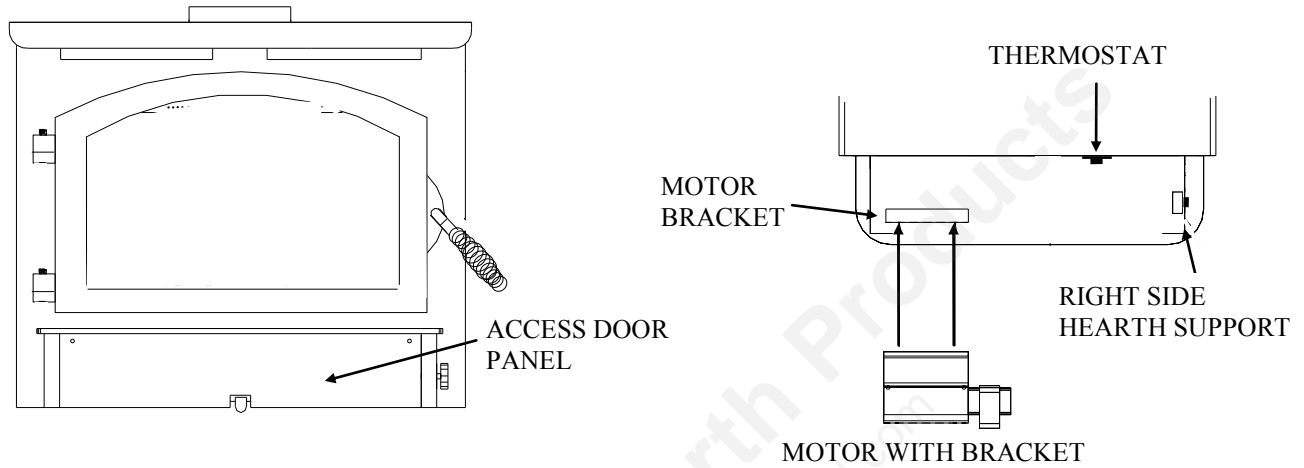
- STEP 1. REMOVE ACCESS DOOR PANEL LOCATED AT BOTTOM OF UNIT. YOUR MOTOR ASSEMBLY COMES WITH A BRACKET ALREADY ATTACHED TO MOTOR. ALIGN HOLES IN MOTOR BRACKET WITH HOLES IN MOTOR MOUNT. SECURE BRACKET WITH TWO 1/2" HEX HEAD SCREWS PROVIDED.**
- STEP 2. REMOVE PROTECTIVE BACKING OFF RHEOSTAT INDICATING LABEL AND PLACE HOLE IN CENTER OF LABEL TO LINE UP WITH HOLE IN RIGHT SIDE HEARTH SUPPORT, AS YOU FACE UNIT. PLACE LABEL SO "OFF" POSITION IS AT THE 8 O'CLOCK POSITION AND LOW IS AT THE 4 O'CLOCK POSITION. MOUNT RHEOSTAT BY PLACING IT BEHIND HEARTH SUPPORT WITH WIRES ON BOTTOM SIDE. PLACE PLASTIC STUD THROUGH HOLE IN BRACKET AND SECURE WITH RHEOSTAT MOUNTING NUT. PLACE INDICATOR KNOB ON PLASTIC STUD.**
- STEP 3. REMOVE STRAIN RELIEF COVER FROM HEARTH SUPPORT AND DISCARD. MOUNT POWER CORD STRAIN RELIEF HOLDER IN COVER MOUNTING HOLES. PLACE THERMOSTAT BEHIND "C" CLIP LOCATED UNDER HEARTH TO RIGHT OF MOTOR. USE CABLE TIE TO SECURE LOOSE WIRES.**
- STEP 4. REINSTALL ACCESS DOOR PANEL.**
- STEP 5. PLUG POWER CORD INTO SUPPLY OUTLET. PLACE RHEOSTAT INDICATING KNOB IN DESIRED POSITION. WHEN HEATER REACHES TEMPERATURE, FAN WILL OPERATE AT DESIRED SPEED.**

NOTE: ROUTE POWER CORD TO PREVENT DAMAGE TO CORD INSULATION FROM HEAT AND SHARP OBJECTS. KEEP CORD OUT OF THE WAY OF TRAFFIC TO PREVENT DAMAGE CAUSED BY TRIPPING, ECT.

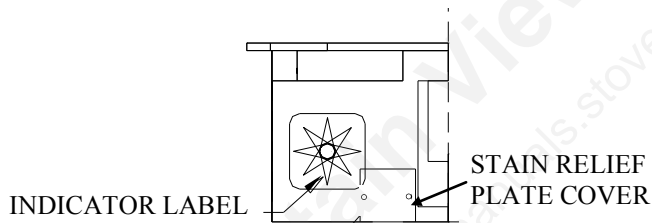
MOTOR -THERMOSTAT-RHEOSTAT REPLACEMENT

To replace Motor, Thermostat, Rheostat follow steps below.

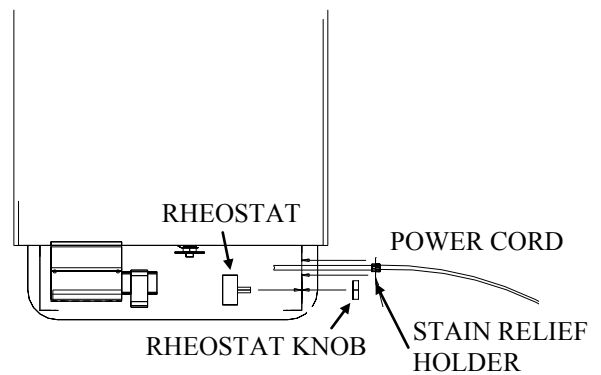
STEP 1



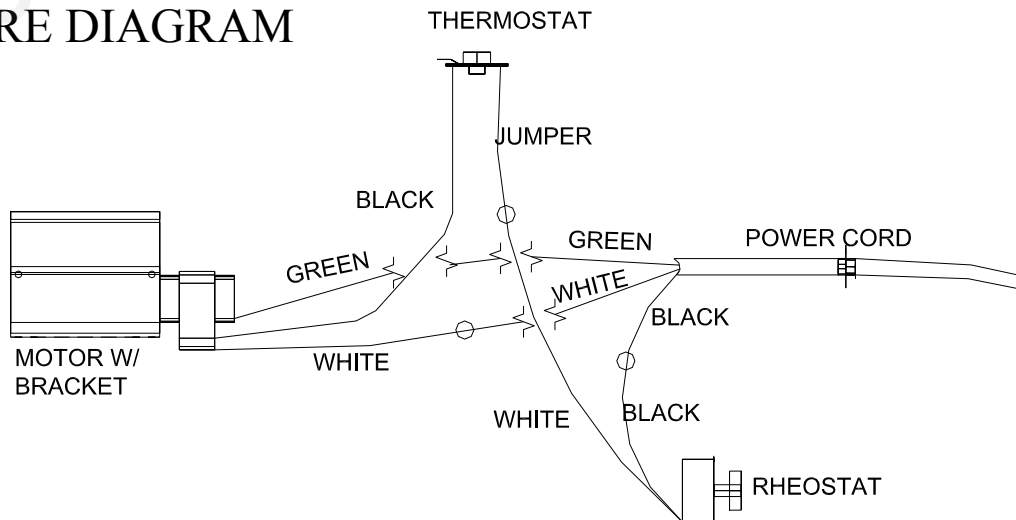
STEP 2



STEP 3



WIRE DIAGRAM

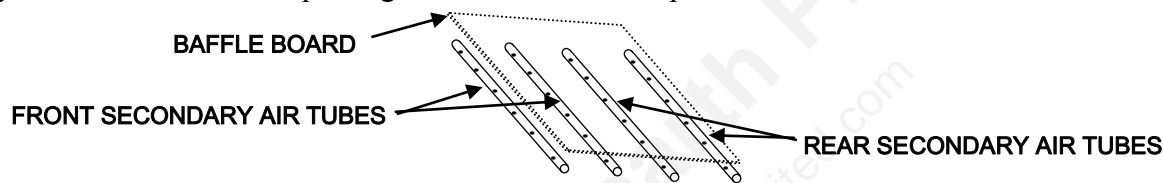


MAINTENANCE CHECK CHIMNEY

- A. Chimney should be inspected twice a year.
- B. The chimney should be cleaned as necessary to remove creosote, soot, leaves, birds' nests, etc.

Before sweeping the chimney a few steps must be done. Put drop cloth down.

1. Open feed door. The (4) secondary air tubes are located in top of burn chamber. On right side of tubes you will find a carter pin. To remove air tube remove cotter pin and slide tube to left, it will drop down, slide tube to right it should come out, remove (2) front air tubes then gently remove the baffle boards, set them aside. Remove the (2) rear air tubes.
2. Close feed door for cleaning chimney so debris don't fall out feed door while cleaning chimney.
3. Creosote and debris will fall into the bottom of the stove unit from the cleaning.
4. Clean out all the creosote and debris from inside stove unit left from clean sweeping chimney.
5. Replace 2 rear air tubes. On one end of tube you will find a hole drilled on both sides through the tube. This end goes to right side. Place tube in left tube holder and slide other end of tube into right side tube holder. Line up through hole in air tube with tube holder bracket and replace cotter pin and bend slightly so it wont fall out. Replace baffle boards, making sure the board is seated on top of air tubes and behind front baffle board holder. Baffle boards run long ways front to rear. After replacing both baffle boards replace front air tube



⚠ NOTE: A chimney cap should be installed to prevent moisture from entering chimney, to prevent sparks and burning materials from escaping chimney and to keep birds and foreign materials from entering.

*** NOTE:** Some areas may require an approved spark arrestor.

CLEANING THE HEATER

- A. The heater should not be cleaned with any type of detergent as most all detergents have an oil base and cannot be painted over.
- B. The heater should be lightly sanded with fine sandpaper or steel wool, then repainted or touched up with high temperature paint.
- C. If the heater is located in a moist or damp location, check thoroughly for signs of condensation during times when heater is not in use.
- D. When heating season is over, heater should be cleaned out completely with a wire brush or cloth to help eliminate ash and burned wood smell.

CARE OF GLASS DOOR

The glass door on your heater permits you to enjoy the beauty of the fire while retaining efficiency of your heater. Although brand of glass used in heater door has well established and recognized heat resistant and strength characteristics, it can be broken through improper care. To achieve maximum utility and safety of your glass door, we advise that you observe following use and safety tips:

1. Inspect glass regularly for cracks or breaks. If you detect a crack or break extinguish fire immediately and return door to your dealer for glass replacement before further use.
2. Do not slam heater door or otherwise impact glass. When closing door, make sure that no logs or other objects protrude to impact against glass.
3. Do not clean glass with materials which may scratch it (such as steel wool) or otherwise damage glass. Scratches on the glass can develop into cracks or breaks.

The glass can be cleaned with a commercial oven cleaner, providing it does not contain abrasives. A build-up on glass that has been there for a considerable length of time can be burned off with a propane torch or straight razor blade. Use protective gloves when using razor.

SECTION VIII TROUBLESHOOTING

PROBLEM	POSSIBLE CAUSE	SOLUTION
Sluggish Heater	Obstruction in chimney	Check for and remove obstruction
	Improperly sealed trim kit or direct connect kit	(a) Check trim kit gasketing seal to fireplace and gasket as necessary to seal unit and gasket under front bottom of stove, if needed. (b) Check seal if using direct connect and correct.
	Manual damper in chimney is closed	Open manual damper and wire shut with stainless steel wire or remove damper
	Wet or unseasoned wood being burned	Burn dry, natural seasoned hard wood
	Poor chimney draft	Improper chimney height or wrong size flue is being used. Cooler temperatures caused by external chimney
	Improper wood loading	Load wood from front to rear

TROUBLESHOOTING

(Continued)

PROBLEM	POSSIBLE CAUSE	SOLUTION
High fuel consumption	Improper regulation of draft or inlet air	<ul style="list-style-type: none"> (a) Close inlet air control as much as possible to maintain desired heat output (b) Check gaskets, reinstall fiberglass gasketing round doors and glass as necessary
	Improper door fitting	Check door gasket, check adjustment of door latch
Backpuffing	Gusts of Wind	<ul style="list-style-type: none"> (a) Smoke shelf in chimney is filled with creosote & ash (b) Chimney may need wind diverter. Raise chimney for better draft
Smoke rollout when heater door is opened	Wind gusts blowing down the chimney	<ul style="list-style-type: none"> (a) Smoke shelf in chimney is filled with creosote & ash (b) Chimney may need wind diverter. Raise chimney for better draft
	Opening heater door too fast	Open air control. Crack door for 15 seconds before fully opening door

REPLACEMENT PARTS MODEL 74

NOTE: For replacement parts use only manufacturer's specified parts.

Description		Quantity	Part No.
1.	Door Gold	1	MA912651GW
2.	Door Black	1	MA912651GW
3.	Door Pewter	1	MA912651PW
4.	Door Handle	1	PO210092
5.	Retrofit Door Bushing	1	PO210102
6.	Thin Spacer	1	PO910104
7.	Retrofit Door Handle Spacer	1	PO21SPACER
8.	Retrofit Handle Latch	1	PO910106
9.	Door Latch Washer	1	PH316916FW
10.	Door Latch Screw	1	PH102212FUH
11.	Door Roping 3/4"	1	RPFR2LD.750G
12.	Glass Gasket	1	RPTKW197X.875GA
13.	Door Glass	1	PG2124GL
14.	Glass Clips Large	1	PO912651
15.	Glass Clip Screws Hex/Washer Slot Machine Screw 10-32 X 1/2	10	PH103211HWHMC
16.	Spring Handle	1	PO100150
17.	Cotter Pin	4	PH182CPSS
18.	Front Secondary Air Tubes	2	PO740018
19.	Rear Secondary Air Tubes	2	PO740019
20.	Baffle Board	2	POBPFB74
21.	Firebrick	1	PR900050
22.	Hearth Trim Black	1	PO810705-BLK
23.	Primary Air Plate		MF510034
24.	Screws for Primary Air Plate to Air Control Rod Hex/ Washer Slot Machine Screw 10-32 X 1/4	2	PH103214HWHSM
25.	Air Control Rod	1	MF201035
26.	Front Air Control Bracket	1	MF740017
27.	Screws for Front Air Control Bracket to Stove Hex/ Washer Self Drilling Screw 1/4-14 X 1"	2	PH14141TEKP
28.	Spring for Ash Dump	2	PH5162SPRING
29.	Bottom Ash Lid Gasket	1	PO201070
30.	Top Ash Lid Gasket	1	PO201072
31.	Rheostat - Optional	1	PEBC204
32.	Rheostat Knob - Optional	1	PEBC204A
32.	Indicator Label - Optional	1	PEKB9724
34.	Thermostat 110 disc - Optional	1	PE400132
35.	Power Cord - Optional	1	PE400240
36.	Strain Relief - Optional	1	PE400320
37.	Blower Kit - Optional	1	MA5126715
38.	Motor Only - Optional	1	PESBRO84
39.	Close Clearance Shield - Optional	1	MA21SHIELD

NEW BUCK CORPORATION (NBC)
"LIMITED WARRANTY" FOR THE BUCK STOVE
PLEASE READ THIS WARRANTY CAREFULLY

PRODUCTS COVERED

This warranty covers the new Buck Stove heating unit, so long as it is owned by the original purchaser, including optional and standard accessories purchased at the same time, subject to terms, limitations, and conditions herein set out.

PRODUCTS NOT COVERED

This warranty does not cover the following:
Glass, Refractory Material, Firebrick or Gaskets.

This Warranty will not cover any damage and/or failure caused by abuse or improper installation of the products covered.

WARRANTY TIME PERIODS

(A) Period I

For one (1) year from the date of purchase, NBC will replace or repair, at its option, any part defective in materials or workmanship. The costs of parts only are included. The customer pays any labor or transportation charges required.

Thereafter,

(B) Period II

For the period after the first year from the date of purchase and extending for five (5) years as long as the Buck Stove is owned by the original purchaser, NBC will repair or replace, at its option, any part defective in materials or workmanship, with the exception of: electrical motors, wiring, switches, components, optional and standard accessories and all parts not permanently attached to the heating unit. Parts not permanently attached to the heating unit are defined as those items designed to be removed from the stove, including those removable with common hand tools. The costs of parts only are included. The customer pays any labor or transportation charges required.

PROCEDURE

Should you feel that your BUCK STOVE is defective, you should contact any Buck Stove dealer for the name of your nearest authorized Buck Stove service representative, who will instruct you on the proper procedure, depending on which Warranty Time Period (Period I or Period II) applies.

Mountain View Hearth Products
manuals.stove-parts-unlimited.com

If for any reason you are dissatisfied with the suggested procedures, you may contact us in writing at:

New Buck Corporation
Customer Service Department
P. O. Box 69
Spruce Pine, NC 28777
Email: info@buckstove.com

CONDITIONS AND EXCLUSIONS

- (A) Replacement of parts may be in the form of new or fully reconditioned parts, at NBC's option.
- (B) There is no other express warranty. All implied warranties of merchantability and fitness for use are limited to the duration of the Express Warranty.
- (C) New Buck Corporation is not liable for indirect, incidental, or consequential damages in connection with the use of the product including any cost or expense of providing substitute equipment or service during periods of malfunction or non-use.
Some states do not allow the exclusion of incidental or consequential damages, so the above exclusion may not apply to you.
- (D) All warranty repairs under this warranty must be performed by an authorized Buck Stove service representative. Repairs or attempted repairs by anyone other than an authorized service representative are not covered under this warranty. In addition, these unauthorized repairs may result in additional malfunctions, the correction of which is not covered by warranty.

OTHER RIGHTS

This warranty gives you specific legal rights, and you may also have other rights, which vary from state to state.

OWNER REGISTRATION CARD

The attached Owner Registration Card must be completed in its entirety and mailed within 30 days from the date of purchase or from the date of installation, if installed by a factory certified installer, to New Buck Corporation in order for warranty coverage to begin.

PLEASE NOTE: The Owner Registration Card must contain the Authorized Buck Stove Dealer Code Number and the Certified Installer's number (if applicable) for warranty coverage to begin.

To be completed by selling distributor/ dealer/ customer:

Name _____
(Last) (First)

Address _____

City _____ State _____ Zip _____

CUSTOMER EMAIL: _____

MODEL 74 - Serial Number _____

Date of Installation: Day _____ Month _____ Year _____

Installer's Name _____

Installer's Certification Number _____

Dealer's Name _____

City _____ State _____ Zip _____