

Additional Features

- Whether in an emergency or just for the fun of it, the step top two level design can be used to cook or warm food. A pan of water placed on top adds humidity to your home.
- All freestanding models are approved for installation into mobile homes and come ready to connect to an outside air source for increased efficiency.
- High-temperature ceramic glass gives added safety while providing radiant heat to warm you through and through.
- Beveled flue connector makes connecting your stove pipe easier.
- USA and Canada approved.

Specifications	Models			
	OV-2100	OV-2600	OV-3000	OV-26BF-I
Width x Depth	25.5"x 21"	25.5"x 26"	25.5"x 30.5"	25.5"x 26"
Height on legs	28"	28"	28.75"	20"
Firebox Capacity	1.7 cu/ft	2.3 cu/ft	3.1 cu/ft	2.3 cu/ft
Emissions	4.1 gr/hr	3.7 gr/hr	2.8 gr/hr	3.7 gr/hr
BTU (cordwood)**	55,000	65,000	75,000	65,000
Weight	305 lbs	400 lbs	410 lbs	430 lbs
Heating Capacity sq/ft***	600-1200	1000-1800	1500-2500	1000-1800
Burn Time (low burn)****	8 hrs	10 hrs	12 hrs	10 hrs
Efficiencies	70%	70%	70%	70%
Log Size	18"	18"	22"	18"
Flue Diameter	6"	6"	6"	6"
Mobile Home Approved	Yes	Yes	Yes	No
Ash Pan	Yes	Yes	Yes	No

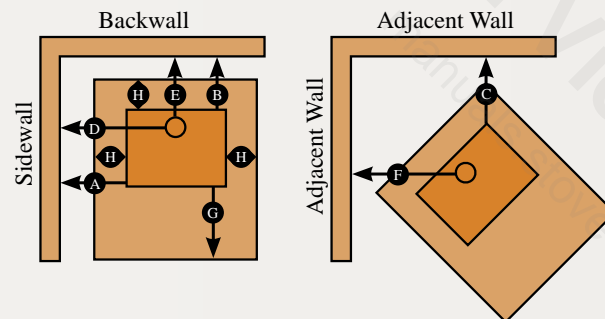
* Insert height
 ** Estimated BTU's on hardwood test with continued loading
 *** Figures will vary considerably with fuel and conditions
 **** Based on continued burning at low air setting

Tested by Warnock Hersey to: ULC S627-93, ULC S628, UL 1482, for residential or mobile home installations

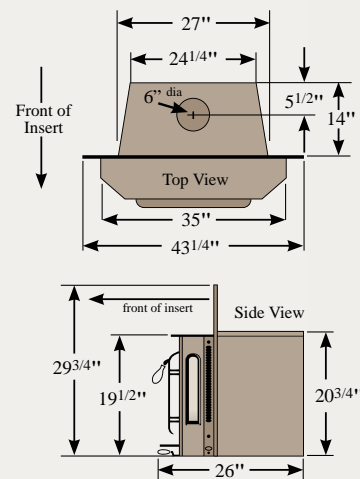
SEE DIAGRAM A	Minimum clearance with single wall stove pipe			Double walls stove pipe	Alcove*
	OV-2100	OV-2600	OV-3000	All Models	All Models
Sidewall to Unit A	19"/485mm	20"/510mm	22"/560mm	14"/355mm	14"/355mm
Backwall to Unit B	10"/255mm	12"/305mm	12"/305mm	5"/125mm	6"/150mm
Corner to Unit C	6"/150mm	6"/150mm	8"/205mm	2"/50mm	—
Side to Collar D	28"/710mm	29"/735mm	31"/790mm	23"/585mm	23"/585mm
Back to Collar E	13"/330mm	16.5"/420mm	16.5"/420mm	9"/230mm	9"/230mm
Corner to Collar F	16"/405mm	16.5"/420mm	19"/485mm	11.5"/290mm	—

Combustible floor must be protected by a non-combustible material, extending (G) 18"/455mm to the front and (H) 8"/205mm to the side as indicated. Also under the chimney connector and 2"/50mm beyond each side.
 * Minimum Alcove height - 7/2.13m - Maximum Alcove Depth 4/1.23m

DIAGRAM - A

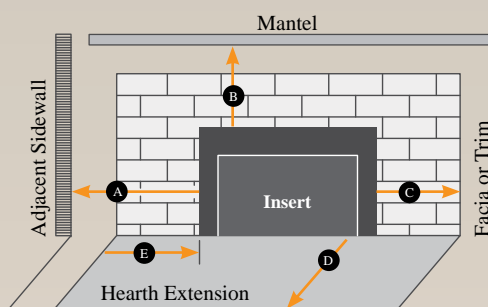


Ovation Bay Flame OVERALL DIMENSIONS



standard shroud size: 29³/₄" x 43¹/₄"
 oversize shroud size: 32³/₄" x 49¹/₄"

DIAGRAM - B



SEE DIAGRAM B	Insert
Adjacent Sidewall A	17"/430mm
Mantel B	28"/710mm
Side Facing C	1"/25mm
Front Extension D	18"/455mm
Side Extension E	8"/205mm

Combustible materials must not protrude more than 1" to the side of the insert, or between the mantel and the top of the insert. Combustible floor must be protected by non-combustible material.

Ovation Series



Also available in Nickel and Gold legs

The Ovation Series non-catalytic cord wood fireplace line by Country Flame leads the industry with state of the art combustion technology. The Ovation Series delivers environmentally friendly clean burning technology with the elegance and beauty required for the discriminating homeowner.



150 Michigan St. S.E., Hutchinson, MN 55350
 Phone: (800) 495-3196 Fax: (320) 587-8872
 information@magnumheat.com
 www.countryflame.com



Ovation Series Non-Catalytic Wood Burning Appliances

Country Flame has offered quality, performance and reliability since 1976. The Ovation Series offers combustion technology that exceeds the requirements of the Environmental Protection Agency and the more stringent demands of the Clean Air Act in Washington State. The air tight door seal enables the Ovation Series to get an extended burn rate needed for overnight burns. With 4 Models of freestanding stoves and a fireplace insert, there is a unit to fit your lifestyle needs.

Country Flame quality: “Stay Clean” Glass for optimum viewing of the fire. Heavy 1/4" steel plate construction, firebrick lined firebox, and stainless steel reinforcing coupled with a quality manufacturing process assures a lifetime of uninterrupted enjoyment. The Ovation Series low clearance design requires less floor space.

Country Flame convenience: Designed user-friendly with a one touch air control and easy front to back fueling design. The unique ash pan design with a positive seal ash trap allows for easy ash removal. Our integrated secondary combustion chamber design is superior in performance to the more common “tube type” designs.

Country Flame accessories: Optional blower system enhances air circulation for more even heat throughout your home. Available 24k Gold or Nickel plated door, trim, and Queen Ann legs add a distinction of elegance.



Ovation 2100

- 70% Efficiency
- Max Heating Capacity: 55,000 BTU
- Heavy Gauge Steel Construction
- 305 Pounds
- Max Burn Time: 8 Hours
- Max Log Length: 18"
- 24K Gold, Nickel* or Black Door & Leg Options
- Air Wash Equipped for Cleaner Glass
- Room Air Blower Optional
- Mobile Home and Alcove Approved
- Ash Pan Standard

Ovation 2600

- 70% Efficiency
- Max Heating Capacity: 65,000 BTU
- Heavy Gauge Steel Construction
- 400 Pounds
- Max Burn Time: 10 Hours
- Max Log Length: 18"
- 24K Gold, Nickel* or Black Door & Leg Options
- Air Wash Equipped for Cleaner Glass
- Room Air Blower Optional
- Mobile Home and Alcove Approved
- Ash Pan Standard



*Nickel trim by special order only.

Ovation Bay Flame Insert

The Bay Flame wood burning insert combines lasting beauty with high-tech combustion design. The Bay Flame easily installs into an existing fireplace and transforms it into an efficient home heating system. Dual front-mounted blowers push the heat further into the house.

Ovation Bay Flame Insert

- 70% Efficiency
- Max Heating Capacity: 65,000 BTU
- Heavy Gauge Steel Construction
- 430 Pounds
- Max Burn Time: 10 Hours
- Max Log Length: 18"
- 24K Gold, Nickel* or Black Door & Leg Options
- Air Wash Equipped for Cleaner Glass
- Room Air Blower Optional
- Mobile Home and Alcove Approved



Ovation 3000

- 70% Efficiency
- Max Heating Capacity: 75,000 BTU
- Heavy Gauge Steel Construction
- 440 Pounds
- Max Burn Time: 12 Hours
- Max Log Length: 22"
- 24K Gold, Nickel* or Black Door & Leg Options
- Air Wash Equipped for Cleaner Glass
- Room Air Blower Optional
- Mobile Home and Alcove Approved
- Ash Pan Standard
- Also available in leg design



Three door options: Black, Gold, or Nickel

