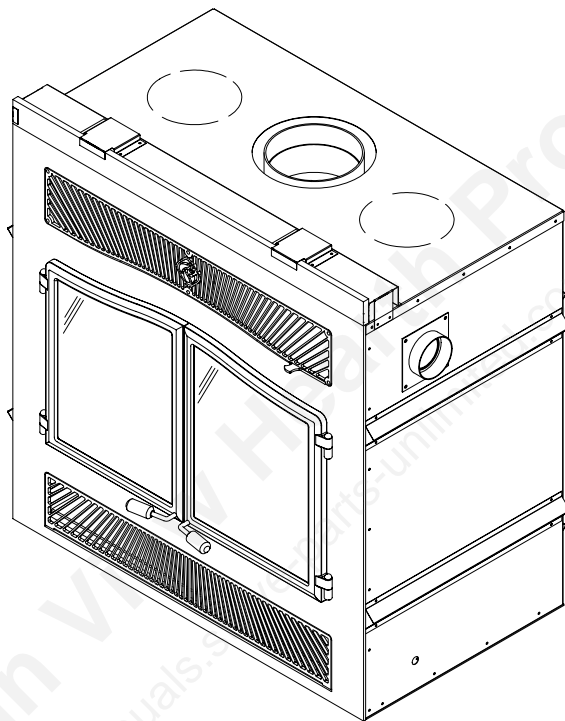




# INGLENOOK™

MODEL IWZC-02  
ZERO CLEARANCE NON-CAT FIREPLACES

## OWNERS MANUAL



© 2006

This manual was written to ensure safe, efficient, and dependable operation of your Country Flame Inglenook high-efficiency fireplace system. Please read and understand these instructions and ensure conformance to all local codes before installation or operation of this product.

**CAUTION:** Do not attempt to modify or alter the construction of the fireplace or its components. Any modification or alteration of construction may void the warranty, listings and approvals of this system. Country Flame Technologies assumes no responsibility for damages or resultant injuries caused by any modification or alteration to an Inglenook.

This unit is listed to the following standards: **UL 127-1999, ULC S610-98**

**PLEASE RETAIN THIS MANUAL  
FOR FUTURE REFERENCE**

COUNTRY FLAME TECHNOLOGIES  
A Division of American Products, LLC  
900 George Street  
Marshfield, 65706  
(417) 859-0990  
WWW.COUNTRYFLAME.COM

# TABLE OF CONTENTS

<b>COUNTRY FLAME LIMITED WARRANTY .....</b>	<b>4</b>
<b>FOREWARD .....</b>	<b>6</b>
<b>SAFETY RULES .....</b>	<b>7</b>
<b>WARNOCK HERSEY SAFETY LABEL.....</b>	<b>8</b>
<b>THE INGLENOOK FIREPLACE.....</b>	<b>9</b>
INTRODUCTION .....	9
PARTS REQUIRED.....	9
ADDITIONAL EQUIPMENT (OPTIONAL) .....	9
<b>INGLENOOK FIREPLACE OPERATION.....</b>	<b>10</b>
FUEL .....	10
FIRST FIRE.....	10
BUILDING A FIRE.....	10
<b>COMBUSTION CONTROL .....</b>	<b>11</b>
HIGH BURN MODE.....	11
MEDIUM BURN MODE .....	12
LOW BURN MODE.....	12
REFUELING FOR OPTIMUM PERFORMANCE.....	13
SMOKING - CAUSES .....	13
<b>IMPORTANT NOTES.....</b>	<b>15</b>
<b>MAINTAINING YOUR INGLENOOK FIREPLACE.....</b>	<b>16</b>
CREOSOTE.....	16
CHIMNEY MAINTENANCE.....	16
CHIMNEY FIRES .....	16
GOLD DOOR CARE.....	17
ASHES AND THE ASH PAN .....	17
FIREBRICK REPLACEMENT.....	17
DOOR(S) INSTALLATION .....	18
DOOR(S) ADJUSTMENT .....	18
GLASS REPLACEMENT.....	18
GLASS CLEANING .....	19
DOOR GASKET REPLACEMENT.....	20
<b>FIREPLACE INSTALLATION .....</b>	<b>21</b>
INGLENOOK FIREPLACE LOCATION.....	21
HEARTH EXTENSION REQUIREMENTS .....	22
FRAMING, FACING, & MANTEL.....	22
<b>INSULATED CHASE CONSTRUCTION.....</b>	<b>24</b>
FACING .....	24
MANTEL.....	24
MANTEL CLEARANCES:.....	25
<b>MOBILE HOME INSTALLATION AND CEARANCES:.....</b>	<b>25</b>
<b>HOT AIR DUCT INSTALLATION .....</b>	<b>26</b>
HOT AIR DUCT KIT .....	26
OUTSIDE AIR KIT .....	28

OUTSIDE AIR KIT INSTALLATION .....	29
<b>ELECTRICAL LINE INSTALLATION .....</b>	<b>30</b>
120 VOLTS AC FOR BLOWER SYSTEM.....	30
<b>THE CHIMNEY .....</b>	<b>32</b>
CHIMNEY INSTALLATION .....	32
CHIMNEY INSTALLATION INSTRUCTIONS .....	33
<b>CHIMNEY CHASE AND MULTIPLE TERMINATIONS .....</b>	<b>38</b>
CHIMNEY TYPE.....	39
<b>APPROVED CHIMNEY PRODUCT.....</b>	<b>39</b>
TYPE HT EIGHT INCH APPROVED CHIMNEY .....	39
TYPE AIR COOLED EIGHT INCH LISTED PER UL 103 OR ULC S269 .....	39
<b>INSTALLATION ITEMS.....</b>	<b>40</b>
<b>APPENDIX A .....</b>	<b>41</b>
INGLENOOK FIREPLACE SPECIFICATIONS .....	41
STOVE BRIGHT HIGH TEMP PAINT SPECIFICATIONS .....	41
FIREPLACE PAINT CURE INSTRUCTIONS.....	41
GLASS-CERAMIC SPECIFICATIONS.....	41
DO NOT ATTEMPT TO CLEAN HOT GLASS .....	42
<b>APPENDIX B.....</b>	<b>43</b>
CLEARANCE TO COMBUSTIBLES .....	43
<b>APPENDIX C .....</b>	<b>44</b>
REPLACEMENT PARTS .....	44
REPLACEMENT PART DRAWINGS .....	45
<b>APPENDIX D .....</b>	<b>51</b>
WARNING LABELS .....	51



**COUNTRY FLAME LIMITED WARRANTY**  
**900 George Street, Marshfield, MO. 65706**

Country Flame Technologies warrants to you, the original consumer purchaser, that this product's stove body is free from defects in material and workmanship for a period of six years from the original purchase date, and that the product's remaining components including electrical parts, are free from defects in material and workmanship for a period of one year from the original purchase date. In the event the product fails to conform to this warranty, Country Flame (through its authorized dealer) will provide the labor, parts, and components necessary to remedy such nonconformity. Country Flame will not be responsible for any shipping cost under this warranty. This warranty is not transferable.

In order to obtain performance under this warranty, you must (1) have registered this warranty within 30 days of purchase by completing and returning the attached warranty registration card, and (2) promptly report the claimed nonconformity to your selling Country Flame dealer, also providing your name, address, phone number, proof of purchase, date of purchase, the model and serial number of the stove. All claims must be submitted to the selling Country Flame dealer.

Country Flame shall have no warranty obligations if this product; (1) was not purchased from an authorized Country Flame dealer; (2) was not installed by a Country Flame dealer or other preauthorized, professional installer; (3) was not operated and maintained in strict accordance with the manufacturer's instructions, or (4) was subject to abuse, misuse, negligence or accident. Country Flame shall have no warranty obligation for damage caused by improper handling, over-firing, unapproved fuel, or the unauthorized disassembly or modification of the product. Country flame shall have no warranty obligation if this warranty is not timely registered, for claims which are not submitted through the selling Country Flame dealer, or for claims submitted without the required information and documentation.

THE WARRANTY PRINTED ABOVE IS THE ONLY WARRANTY APPLICABLE TO THE PRODUCT. ALL OTHER WARRANTIES, EXPRESS OR IMPLIED, INCLUDING, WITHOUT LIMITATION, THE IMPLIED WARRANTIES OF MERCHANTABILITY AND FITNESS FOR A PARTICULAR PURPOSE, ARE DISCLAIMED. IT IS UNDERSTOOD AND AGREED THAT COUNTRY FLAME'S LIABILITY UNDER THIS WARRANTY SHALL BE LIMITED TO THE PROVISION OF REPLACEMENT PARTS AND SHALL NOT INCLUDE LIABILITY FOR SPECIAL, INCIDENTAL OR CONSEQUENTIAL DAMAGES. ANY ACTION BROUGHT UNDER THIS WARRANTY MUST BE BROUGHT WITHIN ONE YEAR OF THE ACCRUAL OF THE CAUSE OF ACTION AND MAY ONLY BE BROUGHT IN THE CIRCUIT COURT OF WEBSTER COUNTY, MISSOURI.

Some states do not allow limitations on how long an implied warranty lasts or the exclusion or limitation of incidental or consequential damage, so the above limitations may not apply to you. This warranty gives you specific legal rights, and you may also have other rights which vary from state to state.

**This warranty is in effect on all products sold after 02/01/2007.**

(Please keep a copy for your personal records)



**Country Flame Technologies**  
**A Division of American Products, LLC**

-----

**WARRANTY INFORMATION**

Name \_\_\_\_\_

Address \_\_\_\_\_ City \_\_\_\_\_

State: \_\_\_\_\_ Zip \_\_\_\_\_ Phone Number \_\_\_\_\_

**Authorized Dealer** \_\_\_\_\_

Dealer Telephone #: \_\_\_\_\_

**Date Purchased:** \_\_\_\_\_

**Model No#** \_\_\_\_\_ **Serial No#** \_\_\_\_\_

**Installed By:** \_\_\_\_\_

**Trained By:** \_\_\_\_\_

**NOTE: FILL OUT THE ABOVE WARRANTY INFORMATION AND KEEP THIS COPY FOR YOUR PERSONAL RECORDS. REGISTRATION OF THIS WARRANTY CONSTITUTES YOUR ACCEPTANCE OF ALL TERMS CONTAINED THEREIN.**

## FOREWARD

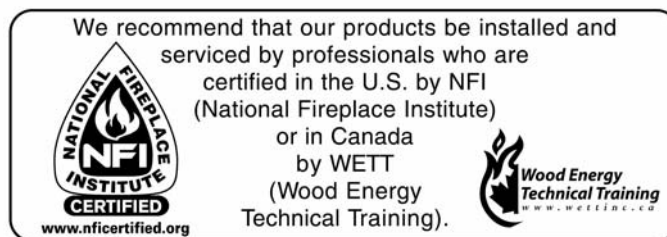
Country Flame Technologies, A Division of American Products, LLC. and its employees would like to thank you for the purchase of an Inglenook Zero Clearance Fireplace. All of us at Country Flame are very proud of this American born, American tested, and American produced product. Through this pride and dedication, Country Flame employees wish you and your family a lifetime of happiness and warmth through the use of this product.

Country Flame also recognizes that no manufacturer brings a modern product to market without the valuable assistance of many other organizations that collaborate to ensure the safest and highest quality product does arrive at your doorstep. From design reviews, through initial product testing, to government certification, to repetitive manufacturing process, Country Flame has been assisted in many ways to bring you, the customer, a high quality Inglenook product. Through a lifetime of use, Country Flame hopes that you come to appreciate and enjoy the Inglenook and take as much pride in the ownership of this product as Country Flame has taken in producing it.

Country Flame wants to thank those agencies and individuals that have assisted in ensuring the Inglenook is a safe, reliable product that will bring a lifetime of warmth to its users. Without the contribution of time, effort, and knowledge by others, Country Flame's efforts would have been far more strenuous. Country Flame is extremely grateful for the assistance each of these entities provided in bringing the Inglenook to market:

Environmental Protection Agency  
ITS/Warnock Hersey  
Security Chimneys International Ltd.  
Selkirk, Inc.  
ICC Industrial Chimney Co.  
Heatilator  
Metal-Fab, Inc.

On behalf of all Country Flame employees, THANK YOU for your purchase of an Inglenook.



## SAFETY RULES

- Warning:** An outside air kit must be installed on the Inglenook Fireplace. **Inglenook** air openings are never to be obstructed. Any obstruction of combustion air openings can create danger both for the dwelling and the occupants.
- Warning:** The fireplace must be operated with the doors fully opened or fully closed. If the unit is operated with the doors fully opened, the optional fire screen **MUST** be used.
- Warning:** When cleaning, all ashes should be placed in an approved metal container with a tight fitting lid. The closed ash container should be placed on a non-combustible floor or on the ground outside the house, pending final ash disposal. The ash should be retained in a closed container until all ash and cinders have thoroughly cooled.
- Warning:** **Keep combustible materials at least 48 inches from the front of the fireplace.** Never use gasoline, kerosene, charcoal lighter fluid or similar liquids to start or rekindle a fire in this fireplace. Keep all such liquids well away from the fireplace at all times.
- Warning:** **Do not use** grates, andirons, or other methods of supporting fuel off the floor of the firebox. Using such devices can cause “over burn” and generate excessive temperatures.
- Warning:** **Never** leave children unattended when there is a fire burning in the fireplace.
- Warning:** Do not use a fireplace insert or other products not specifically approved for use with this fireplace. Contact your local authorized Country Flame Dealer or Country Flame directly for any necessary clarification.
- Warning:** Country Flame **does not recommend** the use of solid fuel fire log products. If used, do not poke or stir the logs. Follow all solid fuel fire log instructions, warnings, and caution markings on the packaging prior to use.
- Warning:** The use of some fuels (e.g. charcoal) can generate carbon monoxide and create hazards associated from carbon monoxides. Ensure the hazards of any fuel being used in the Inglenook are understood before burning occurs.
- Warning:** Country Flame **strongly recommends** the use of smoke and carbon monoxide detectors. At a minimum, these devices should be checked on a semi-annual basis.
- Warning:** All Inglenook fuel loads must be behind the log retainer, i.e., no fuel should be allowed between the log retainer and glass doors.
- Warning:** Consult with your local authorized Country Flame Dealer, the local city code department or the local fire department concerning installation of this product.

# WARNOCK HERSEY SAFETY LABEL



**LISTED FACTORY BUILT FIREPLACE**  
ALSO SUITABLE FOR MOBILE HOME INSTALLATION

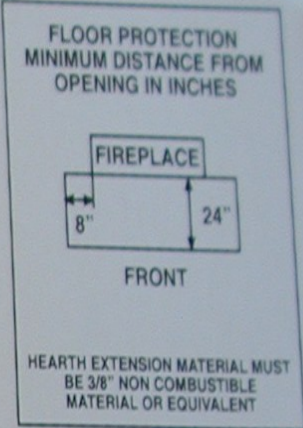
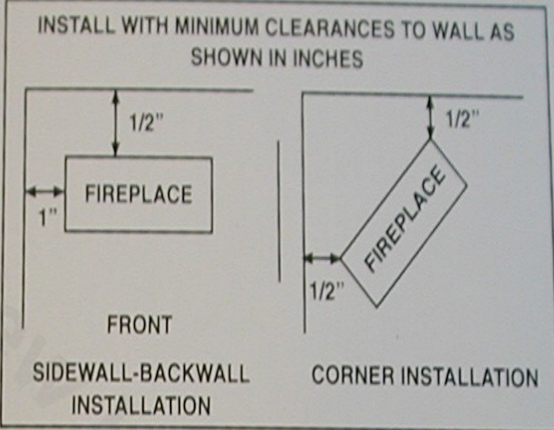
MODEL IWZC-02

SERIAL #  
**IN-2540**

MANUFACTURED BY:

MANUFACTURED BY: COUNTRY FLAME TECHNOLOGIES  
A DIVISION OF AMERICAN PRODUCTS LLC.  
MARSHFIELD, MO 65706

THIS APPLIANCE HAS BEEN TESTED BY WARNOCK HERSEY, INC. IN ACCORDANCE WITH UL127-1999 AND ULC S610-98



**CLEARANCES TO COMBUSTIBLES:**  
SIDEWALL: 1"  
MANTEL: 71"  
*See owners manual for exceptions from base of the fireplace.*  
BACK WALL: 1/2"

**ELECTRICAL REQUIREMENTS:**  
120 VOLTS, 2A 60 Hz

- FUEL: WOOD OR APPROVED COUNTRY FLAME GAS LOG SET.
- APPROVED WITH COUNTRY FLAME GAS LOG SET MODEL #IGLS - 24 H/P.
- THIS UNIT HAS NOT BEEN TESTED WITH UNVENTED GAS LOG SET. DO NOT INSTALL UNVENTED GAS LOGS IN THIS FIREPLACE.
- NON COMBUSTIBLE HEARTH EXTENSION MUST BE INSTALLED AT FRONT OF UNIT EXTENDING 24" AT FRONT AND 8" TO SIDES OF UNIT.
- FOR SAFE OPERATION INSTALL IN ACCORDANCE WITH THE MANUFACTURER'S INSTRUCTIONS.
- REPLACE GLASS ONLY WITH CERAMIC GLASS 5mm THICK.
- OPERATE UNIT WITH DOORS FULLY CLOSED OR FULLY OPEN.
- COMPONENTS USED WITH FIREPLACE MUST BE LISTED. SEE OWNERS MANUAL.
- CONTACT YOUR LOCAL BUILDING OR FIRE OFFICIALS ABOUT RESTRICTIONS AND INSTALLATION INSPECTIONS IN YOUR AREA.

**CHIMNEY TYPE:**  
USE ONLY AN 8 INCH TYPE HT OR AIR COOLED CHIMNEY LISTED PER UL 103 OR ULC S629

Date of Manufacture

2002	2003	2004	Jan	Feb	Mar	Apr	May	Jun	Jul	Aug	Sep	Oct	Nov	Dec
<input type="checkbox"/>	<input type="checkbox"/>	<input type="checkbox"/>	<input type="checkbox"/>	<input type="checkbox"/>	<input type="checkbox"/>	<input type="checkbox"/>	<input type="checkbox"/>	<input type="checkbox"/>	<input type="checkbox"/>	<input type="checkbox"/>	<input type="checkbox"/>	<input type="checkbox"/>	<input type="checkbox"/>	<input type="checkbox"/>

MADE IN U.S.A.

IGN

**DO NOT REMOVE THIS LABEL**

# THE INGLENOOK FIREPLACE

## INTRODUCTION

The Inglenook hi-tech fireplace is an energy efficient, non-catalytic, heat circulating, closed combustion system. As an Inglenook Fireplace owner, you can expect a lifetime of warmth from this Country Flame product provided it is installed, maintained and operated properly.

- Please read, understand, and retain the Inglenook Owners Manual. Do not destroy the Owners Manual, as it should be retained for future reference.
- It is important that the installer obtains a local building permit, if required, and conforms to all local codes affecting the installation of this heating system. Contact your local authorized Country Flame dealer for a list of qualified installers.
- Failure to follow the Country Flame Owners Manual or conform to local codes may void the warranty. Failure to follow industry recommended standards or local codes may create a potentially unsafe condition that could be hazardous to surrounding construction or residential occupants.
- Use only industry-approved components during the installation of this product, including but not limited to all chimney components.

## PARTS REQUIRED

- Inglenook Fireplace
- Use only an 8" type HT or air cooled chimney listed per UL 103 or ULC S629
- Outside air kit

## ADDITIONAL EQUIPMENT (optional)

- Gravity Duct System
- Fire Screen
- Custom Plated Door and Custom Plated Grill System

## **INGLENOOK FIREPLACE OPERATION**

### **FUEL**

The Inglenook should be fueled with seasoned cordwood. Hardwoods will provide more energy per pound of wood consumed because of its superior density when compared to softwood. If hardwoods are utilized to fuel your Inglenook, the results will be a longer burning fire that requires less frequent refueling. It is recommended that whether hardwood or softwood is used, the moisture content should not exceed 20%. Higher moisture content wood will be difficult to burn and will result in lower efficiency, increased creosoting in the chimney and on the glass. Excessively dry firewood will burn well but will increase emissions output and burn at a faster rate.

Do not burn scrap, garbage, treated wood or wood such as driftwood which has been exposed to salt or other chemicals that will corrode the firebox and chimney. Do not burn large amounts of paper, cardboard, tree branches or building construction materials. The intense fires these products create may overheat the fireplace thus causing damage to the unit, a potential fire outside the firebox or even possibly igniting a chimney fire.

### **FIRST FIRE**

Before using your Inglenook Fireplace for the first time, ensure that all packaging material has been removed from the outside and inside the fireplace. Remove all glue with mild soap and ensure the door windows have been cleaned of all foreign material before starting the first fire. If gold doors have been purchased with the Inglenook Fireplace, ensure proper cleaning before the first fire. Proper cleaning must be accomplished or permanent damage can occur to the gold finish.

It is best to ensure that the first six fires are small and short in duration. Use only enough firewood to limit the fire to a one-hour burn until six fires have been burnt. The purpose of these small fires is to allow proper curing of the refractory bricks and the exterior paint. The first fires may produce slight smoking due to curing of the paint and steel. The owner should be prepared to ensure open window ventilation during the first few fires. In addition, any dust that has accumulated on the fireplace will burn off during these first few fires. The owner should remain alert to setting off a smoke alarm that is located in the same or adjacent rooms to the Inglenook Fireplace.

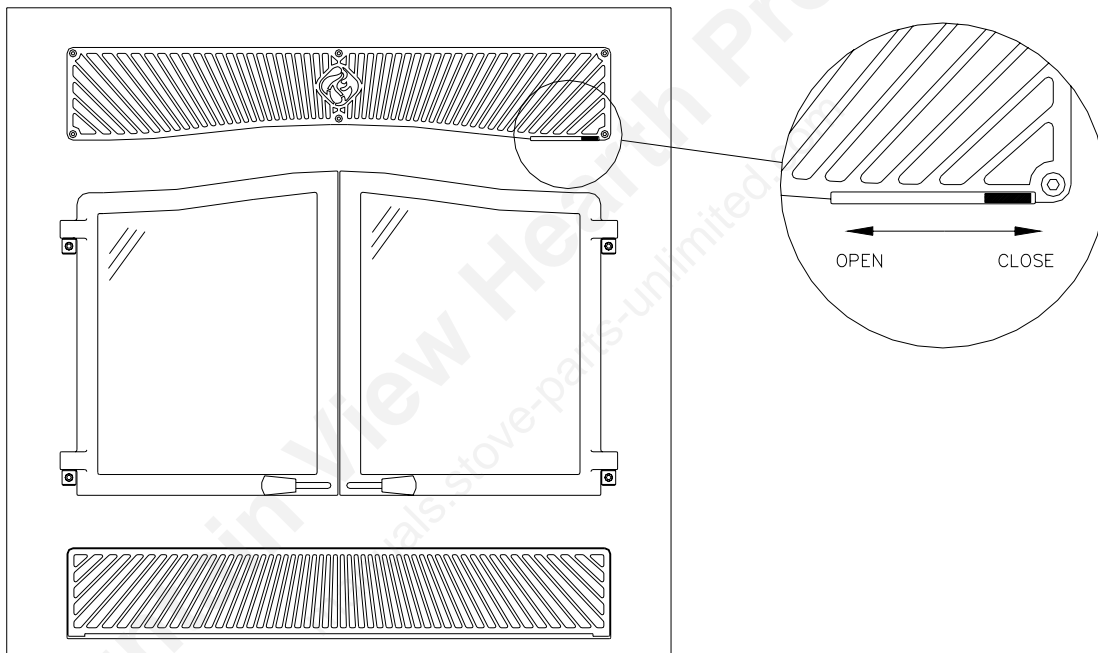
### **BUILDING A FIRE**

Check for proper fireplace draft. Preheat the flue if necessary in order to establish proper fire draft. Several crumpled balls of newspaper can be placed into the firebox to preheat the chimney. Once heated, additional small crumpled papers can be added with small dry pieces of kindling added on top of the paper. Crisscrossing this small kindling over the paper will create airspace between the kindling thus ensuring a quicker start to the fire. It is important that air can circulate around the kindling during the start up process. Open the Inglenook Fireplace combustion air control fully (left most position) and light the newspaper. Close the doors to the fireplace once the newspaper is well ignited. As soon as the kindling fire is established, you can add cordwood.

The Inglenook Fireplace should be operated with the air control fully open until such time that the owner believes the cordwood is well ignited.

## COMBUSTION CONTROL

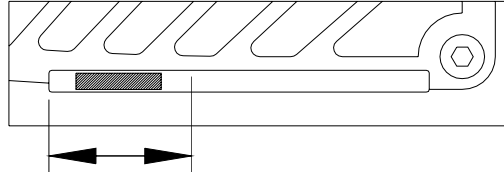
The Inglenook is not designed to operate with a flue damper. As is standard practice with hi-tech high efficiency fireplaces, the Inglenook combustion air damper controls all air entering the firebox. This combustion air damper allows the owner more precise control of the fire by accurately controlling the air available for combustion. The combustion air damper control is located on the right side of the Inglenook just below the bottom edge of the top grill as shown in Figure 1. An air damper tool is offered by Country Flame to extend the length of this control mechanism. This combustion air damper control is fully opened when the control is moved all the way to its left position. The combustion air control is completely closed when the control is moved to its far right. To ensure no air leakage or air infiltration into your home when the Inglenook Fireplace is not in use, the combustion control lever should be kept in its closed position. This will minimize air leakage through the chimney. The combustion air control should be opened before opening the doors to your Inglenook to eliminate the possibility of a back draft into the room where your fireplace is located.



**FIGURE 1: COMBUSTION AIR DAMPER CONTROL**

### HIGH BURN MODE

The maximum heat output can be obtained from your Inglenook Fireplace by operating the firebox with a full load of wood, the doors closed and the combustion air damper fully open. This high burn mode ensures the hottest fire with maximum heat output. The Inglenook Fireplace can produce a maximum of 151,200 BTU of heat per hour. Operating the Inglenook in the high burn mode will necessitate the need for refilling the firebox with fuel on an accelerated basis. The amount of fuel needed and the time between refueling is dependent on many factors including moisture content of wood, type of wood, environmental factors, and chimney type and height. To obtain a longer burn time, the combustion air damper control can be partially or fully closed. By adjusting the combustion air damper from its fully open position, the owner will obtain longer burn times by reducing the burn rates of the fuel. These reduced combustion modes are covered in the following paragraphs.

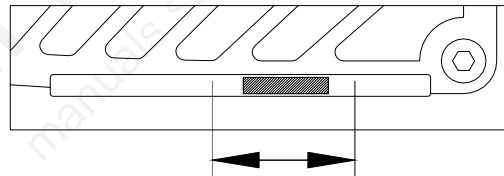


**FIGURE 2: HIGH BURN COMBUSTION AIR DAMPER SETTING**

**CAUTION** must be used when operating the Inglenook Fireplace with the combustion air damper control wide open. Only seasoned hardwood should be burnt in this manner. Burning softwoods, small dry pieces of construction scraps, trash or paper with the combustion air damper control wide open will cause a very intense fire to be created. This intense high temperature fire could permanently damage the Inglenook firebox or create hazardous situations. Extreme care must be exercised when operating the Inglenook Fireplace in the accelerated combustion mode. In fact, Country Flame strongly recommends that the Inglenook Fireplace NOT be operated in accelerated combustion mode for more than 1 hour continuous. Failure to observe this recommendation may cause excessive heat build up and damage to the gold door plating or to the cast door paint.

### **MEDIUM BURN MODE**

Country Flame recommends this mode for normal use of the Inglenook Fireplace. Operating the fireplace in this manner will minimize the amount of creosote on the glass and in the chimney. The combustion air damper should be set somewhere between the  $\frac{1}{4}$  and  $\frac{1}{2}$  closed position as shown in Figure 3 to obtain a medium combustion fire. The precise setting for your Inglenook combustion air damper will depend on many factors, including chimney length and the moisture content of the wood. Do not be afraid to experiment to find the optimum position to satisfy your requirements for a warm and satisfying fire. As an example, a long warm chimney will necessitate closing the combustion air damper more due to the natural draw created by the flue gases being drawing through the chimney.



**FIGURE 3: MEDIUM BURN COMBUSTION AIR DAMPER SETTING**

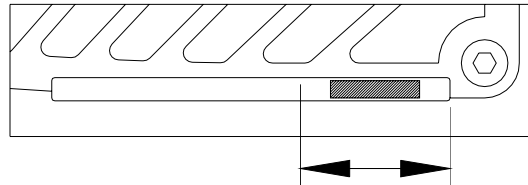
To establish proper medium combustion burn mode, close the combustion air damper completely and then set the combustion air damper somewhere between the  $\frac{1}{4}$  to  $\frac{1}{2}$  closed setting. The firebox should contain at least several medium size pieces of wood burning on a bed of hot coals. The Inglenook heat output will be between 40,000 and 60,000 BTU per hour in the medium combustion burn mode. In order to maintain a constant medium heat output, load more firewood about every four to five hours. If softwoods are used in place of seasoned hardwoods the operator of the Inglenook Fireplace should expect significantly reduced times for burn rates with reduced heat output.

### **LOW BURN MODE**

When the Inglenook Fireplace air combustion damper is fully closed, as shown in Figure 4, a low combustion fire will occur. Low combustion will not put the fire out but there will be a noticeable

change in the flame pattern. The flames will be slow and intermittent and may appear dirty if the wood is too wet i.e., a moisture content of 20% and more.

During the Low Combustion Burn Mode, creosote may accumulate on the glass doors. Low combustion burning should only be used after the firebox has been allowed to reach a hot operating temperature i.e., the air combustion damper has been fully open to produce a hot fire for about an hour. Low combustion can be used at night in order to reduce the heat output and to prolong the burn. The loading time will be between six to twelve hours.



**FIGURE 4: LOW BURN COMBUSTION AIR DAMPER SETTING**

### **REFUELING FOR OPTIMUM PERFORMANCE**

The Inglenook Fireplace performance will be greatly enhanced if the operator will ensure the combustion air damper is fully opened after refueling. If this process is followed, the firebox and chimney system will return to optimum operating temperature in the shortest period of time. Combustion efficiency is directly affected by firebox temperature and following the above stated process will ensure maximum efficiency of your Inglenook Fireplace. The upper part of the Inglenook firebox temperature should exceed 1,200 degrees Fahrenheit or higher in order to achieve maximum operating efficiency. To obtain this firebox temperature after reloading of wood, the Inglenook should be operated with the combustion air damper fully opened for a minimum of 15 to 30 minutes. Again, the time will vary depending on the room heat, moisture content of the wood and the type of wood being burnt. Once the Inglenook has reached a proper operating temperature, the combustion air damper can be gradually closed. A good indication that the proper temperature has been reached is when a flame can be seen at the top of the firebox. This upper fire indicates excellent combustion and will ensure cleaner glass, less creosoting, greater efficiency, and the greatest warmth and viewing pleasure for your family to enjoy.

### **SMOKING - CAUSES**

In order to reduce the problematic issue of smoke escaping from the Inglenook Fireplace when opening the firebox doors, always ensure that the combustion air damper is in the fully open position before the doors are opened. **CAUTION:** ALWAYS open all fireplace doors very slowly. This will ensure that the fireplace is drafting through the fresh air intake and the chimney system rather than using your house as a source for air or the expulsion of air. Your fireplace has been designed and tested to provide smoke free operation. Occasionally, there may be a small amount of smoking due to the fact that the chimney system has not reached proper operating temperature. A warm chimney system ensures maximum draft efficiency for the firebox. If the fireplace continues to smoke it is probably for one of the following reasons:

#### **1. Doors Partly Open**

Always operate the Inglenook with the front doors fully open or fully closed. If the doors are operated fully open, the optional screen kit **MUST** be installed for safety reasons.

## **2. Negative Pressure**

As the Inglebrook fire burns, the exhaust gases are drafted up and out of the chimney system. The Inglebrook Fireplace system is “pulling” fresh air from somewhere to keep the fire burning properly. The Inglebrook’s exhausted draft air has to be replaced via a properly operating outside air duct system connected to the fireplace. If not connected properly, the fireplace will draw air to the firebox from inside the house or the fire will be starved due to a lack of available combustion air. This incorrect process will create a negative pressure (reduced pressure inside the house compared to outside air pressure) in your home. If your Inglebrook Fireplace has been properly installed, fresh combustion air will be supplied through the outside air duct to the fire. Check the Inglebrook Fireplace system by temporarily opening a window near the fireplace. With the fireplace doors closed and a fire operating, you should see no change in the fire when the window is temporarily opened. This check ensures your Inglebrook has an adequate air supply through the outside air tube and is unaffected by home air when the fireplace doors are closed. If the fireplace doors are open, house air pressure may be affected in a negative or positive pressure depending on conditions.

## **3. Fan Operation (i.e., Bathroom Exhaust, Kitchen Exhaust)**

Exhaust fans draw air out of a home and may actually create negative pressure (absence of air or reduced air pressure inside a well sealed home.) When operating your Inglebrook hi-tech fireplace, ensure that all of your home’s exhaust fans are turned off or that a window is opened slightly to ensure these fans do not create a negative pressure inside your home. If these exhaust fans are operated with a window slightly open, the fans will not try to draw air from the fireplace which could create a smoke condition inside the home.

## **4. Wet Wood**

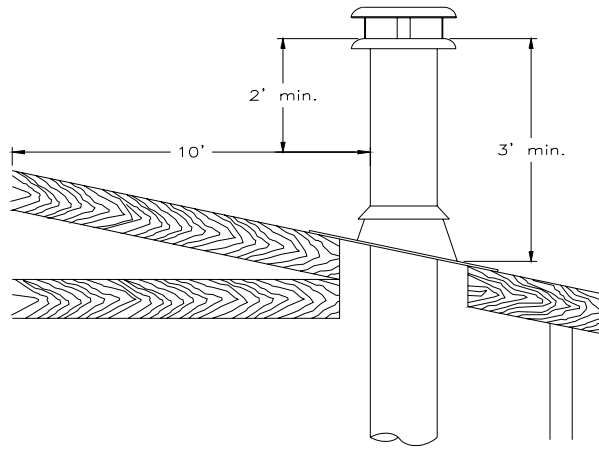
Wet or tarred firewood will smolder and smoke instead of burning as efficiently as seasoned woods. Improperly seasoned wood will increase annual maintenance and operating costs of your Inglebrook Fireplace. It is worth your time, money, and enjoyment to ensure that you have good seasoned wood to burn in your Inglebrook Fireplace.

## **5. Blocked Chimney**

The chimney serves as an exit for all burnt gases created during the fire burning process. Blockage (heavy soot or dirt) of either the chimney or the air intake port may make the Inglebrook Fireplace operate improperly or render it unusable. Always ensure, prior to the heating season, that a qualified service technician has checked the fireplace chimney and outside air intake system. This simple process should ensure an enjoyable heating season with the Inglebrook Fireplace.

## **6. Chimney too Short**

The Inglebrook Fireplace minimum chimney height is 8 feet. This minimum height does not include the fireplace height. The Inglebrook chimney must extend at least 3 feet (915 mm) above its point of contact with the roof and at least 2 feet (610 mm) higher than any roof or wall within 10 feet (3 m) of it. If installed with offsets, the minimum chimney height is 12 feet not including the height of the fireplace. Additional chimney height will increase draft and therefore will decrease the tendency of the Inglebrook to smoke. Figure 5 shows a sloped roof chimney installation.



**FIGURE 5: CHIMNEY INSTALLATION DIMENSIONS**

### 7. Poor Chimney Draft

Perform the following simple test of your chimney draft. With no fire in the Inglenook firebox hold a recently lit match (smoke should be trailing from the match) inside the firebox towards the upper one third of the top of the firebox. If the draft is proper, you should see the match smoke being exhausted up through the baffle. Chimneys installed against an outside wall without protection may generate back draft problems, which will cause problems in starting your Inglenook fire. To minimize this problem in the event that it occurs open a nearby window. Now roll up a piece of paper and light it inside the firebox. Hold this lit paper towards the upper part of the firebox just above the baffle. It may be necessary repeat this step several times in order to obtain proper operating temperature in the chimney so draft can be sustained. Be careful not to burn yourself with the paper. Once you see the smoke from the lit paper is drafting better a fire can be started in Inglenook Fireplace.

### IMPORTANT NOTES

1. The hot air room vent of your Inglenook may only be blocked off if the gravity duct kit is being installed. If you are going to block off the hot air room vent and install the gravity duct kit use only the optional Inglenook block off kit. Failure to install the gravity duct kit with the hot air grill blocked will cause your system to overheat.
2. Never use gasoline, kerosene, charcoal lighter fluid or other flammable liquids to start a fire.
3. Do not burn coal. The sculpture in coal will corrode the firebox.
4. Do not burn ocean driftwood or other waterlogged wood. The salt will corrode the firebox and chimney.
5. Do not operate the Inglenook with doors partially open or with one door open.
6. Do not overfill the firebox or burn wood in the area in front of the grate.
7. Do not abuse your Inglenook by burning paper, or cardboard or construction material such as pressed wood, plywood or lumber.
8. Do not allow wood to smolder or burn without flame, since this will produce excessive creosote in the unit.

## **MAINTAINING YOUR INGLENOOK FIREPLACE**

### **CREOSOTE**

When wood is burned slowly, it produces tar and other organic vapors which combine with expelled moisture to form a black deposit called creosote. Creosote will accumulate on the flue lining and if left to build up, can create a potential fire hazard within the chimney system. When ignited, creosote makes an extremely hot fire. If the creosote deposit within a chimney system were large then a resultant chimney fire would burn extremely hot. A creosote chimney fire can damage the chimney and potentially overheat a surrounding wood frame within the house. Creosote formation can be kept to a minimum by routinely building small hot fires rather than slow burning, smoldering fires and by proper refueling the fire. In addition, each year the homeowner should have the Inglebrook Fireplace chimney inspected and cleaned as necessary to assist in preventing chimney fires.

### **CHIMNEY MAINTENANCE**

Regular chimney inspection and maintenance combined with proper operation will help prevent chimney fires. The golden rule of operating a fireplace is to **KEEP THE CHIMNEY CLEAN**. Do not allow more than one sixteenth of an inch of creosote buildup in the Inglebrook Fireplace chimney. The amount of creosote created by operating the Inglebrook Fireplace will depend on variables such as the frequency of use and the type of fire that is routinely burnt. Country Flame recommends:

1. Inspect the chimney system weekly or before each use. From this the operator will gain knowledge of how often it will be necessary to clean or have the chimney cleaned.
2. Hire a qualified chimney sweep to clean the Inglebrook Fireplace and chimney system at least once a year. If the owner wants to perform self-cleaning, Country Flame recommends using a stiff plastic or non-metallic brush on the inside walls of the chimney. A metal brush, if used, should be sized slightly smaller than the flue to avoid damaging the chimney. Do not use a brush that will scratch or scar the stainless steel interior of the chimney.
3. Do not expect chemical cleaners to keep your chimney clean. If necessary, the rain cap at the top of the chimney system can be removed to inspect or clean the chimney system. There are a number of different methods used to attach a rain cap to a chimney therefore it is recommended to consult the manufacture of such systems on how to remove the rain cap. Once the rain cap is removed increased access allows for better inspection or cleaning of the chimney system.

### **CHIMNEY FIRES**

Regular Inglebrook chimney maintenance and inspection will minimize the potential of a chimney fire. If the Inglebrook Fireplace owner ever encounters a chimney fire, follow these steps:

1. Fully close the fireplace doors and fully close the combustion air damper.
2. Alert any occupants in the house of the fire danger and ensure everyone exits the building in a quick and orderly fashion.
3. Call the local fire department. It is better to have the fire department arrive before they are needed than after the house is already in flames.

4. Always use a dry chemical fire extinguisher, baking soda or sand to control the fire. Do not use water as it may cause a dangerous steam explosion.
5. Inspect outside the house to ensure that sparks and hot embers coming out of the chimney are not igniting the roof or any adjacent building or property.
6. If a chimney fire ever occurs, DO NOT USE THE INGLENOOK FIREPLACE until both a qualified chimney sweep and a local Fire Department Inspector reviews the system and provides written approval that the fireplace and chimney are safe to operate.

## GOLD DOOR CARE

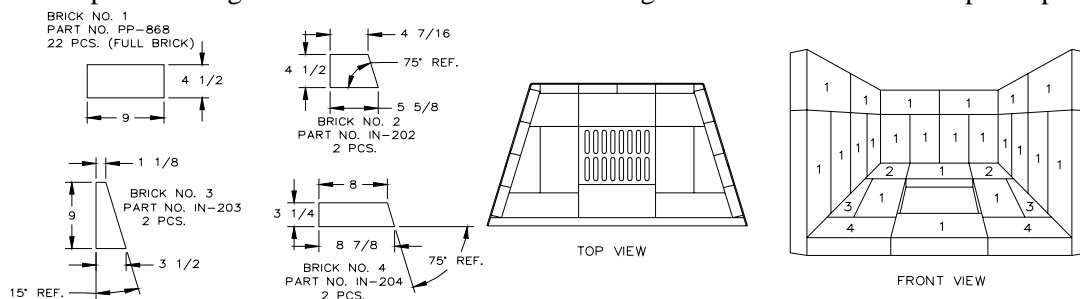
The door should be wiped down regularly to ensure the luster and beauty of the door system lasts the life of the fireplace. Always use an approved glass cleaner (i.e. Windex, Glass Plus) and a lint free soft cloth to polish the doorframe. DO NOT use any abrasives, like steel wool, brass polish, cleaners, like comet, or other household cleaners. If used, the door will be permanently scratched and the finish ruined. If damage does occur to the doors from improper cleaning, the solution will be expensive to return the doors to their original luster. Use proper care in cleaning the Inglenook doors and other polished surfaces and a lifetime of enjoyment will be yours. Cast doors require no care.

## ASHES AND THE ASH PAN

The Inglenook Fireplace has an ash pan located below the firebox grate. Access to this ash pan is through the lower grill. Always remove ash after they have properly cooled. Hot ash is dangerous to both surrounding areas and can cause severe burns. Wait until the Inglenook fire has been out for a minimum of 24 hours. Then open the bottom louver and remove the ash pan. A proper fireplace glove should be worn anytime the ash pan is removed. Dump the ash in a proper ash container or remove to a safe outdoors area. Remember that although the ash may look and feel cool to the touch, a smoldering ember can start a fire. CAUTION: Care should be used to store any ash in a proper container with an approved airtight lid. If ash is taken outside, water should be poured over the ash to ensure no fire flare up can occur.

## FIREBRICK REPLACEMENT

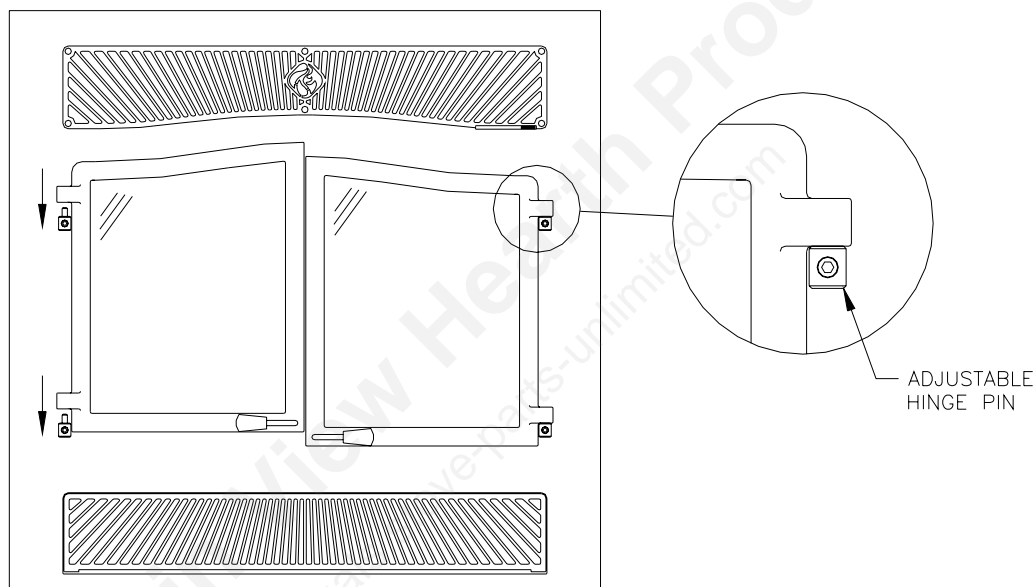
The intense repetitive heat inside the Inglenook firebox will normally cause hairline cracks in the Firebrick. Proper curing as described in "First fires" will assist to minimize these cracks and extend the life of the Inglenook Firebrick. Small cracks will not normally diminish the effectiveness of the Firebrick; however, if large cracks develop in the Firebrick, then replacement of these items should occur. To replace the Inglenook Firebrick bricks refer to Figure 6 and follow these simple steps:



**FIGURE 6: INGLENOOK FIREBRICK SYSTEM**

## DOOR(S) INSTALLATION

The Inglenook doors have been mounted and checked for proper fit at the factory. If the doors are removed for any reason, care must be taken in reinstalling the doors to ensure proper alignment and fit. Setting the doors is quite simple. Ensure the doors are in the fully open position and then align the female portion of the door hinge with the male portion of the fireplace hinge. Gently lower the door hinges over the fireplace hinge. Once proper seating has been accomplished, the door can be closed to check for proper fit. Follow the same procedure for the second door. The Inglenook door installation should now be complete. To remove the doors, simply lift up a door from the fireplace hinges. Store both doors in a secure place. If the doors are left sitting, ensure that the doors cannot fall and injure someone or damage the door or glass by falling over. The Inglenook doors have been adjusted at the Country Flame factory. If the door fit is not satisfactory, the owner can adjust the doors using the hinge screws, refer to Figure 7.



**FIGURE 7: DOOR ALIGNMENT POINTS**

## DOOR(S) ADJUSTMENT

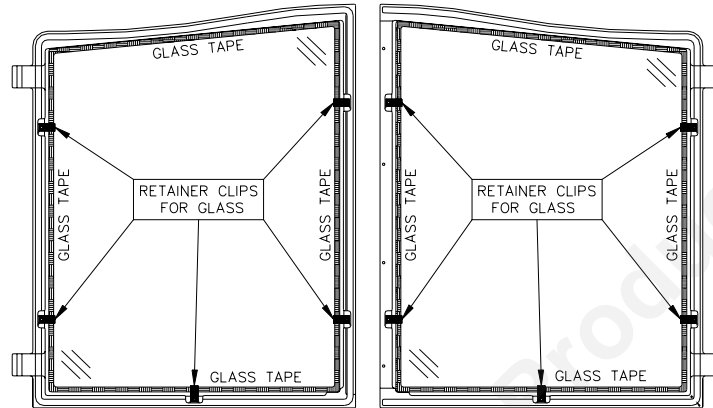
The Inglenook doors, if installed and shipped with the fireplace, may require fine adjustment due to shipping vibrations and jarring. After extended use, the door may also require some minor adjustments to maintain a center-aligned appearance. The Inglenook doors need to remain airtight to ensure proper firebox operation. The door gasket air tightness can be adjusted. To adjust the gasket tightness, simply rotate the right hand door latch clockwise (tighten) or counterclockwise (loosen) one complete revolution or as necessary to adjust the gasket seal. A good test to evaluate proper door gasket seal is to lay a dollar bill against the stove frame and then close and latch the door. If gently tugging on the dollar bill does not dislodge it from the door, the seal is appropriate.

## GLASS REPLACEMENT

The glass used in the Inglenook Fireplace is a 1400 degree Fahrenheit (° F) high temperature ceramic glass. If the glass should crack or break for any reason, it must be replaced with an equal or better grade ceramic glass. The use of tempered glass or ordinary glass **IS NOT AUTHORIZED** and is

hazardous to use. Inglebrook Fireplace replacement glass can be purchased through one of Country Flame's authorized dealers. **DO NOT OPERATE** the Inglebrook Fireplace with cracked or broken door glass. See Figure 8 for securing points for the door glass.

REAR VIEW OF INGLEBROOK DOORS



**FIGURE 8: DOOR GLASS REPLACEMENT**

### **GLASS CLEANING**

The Inglebrook Fireplace is designed with an advanced air wash system to extend the time between required cleaning of door glass. If the Inglebrook Fireplace is operated continuously with the combustion air damper partially or fully closed, the door glass will tend to get dirty unless the fuel, firebox and glass are maintained at hot temperatures (see "Refueling for Best Performance".) If the door glass does require cleaning, use an authorized fireplace glass cleaner. Country Flame's authorized dealer will be happy to recommend a suitable cleaner that should be available in your locale. Regular household glass cleaners are not effective in cleaning creosote and other gases from the glass. **DO NOT** use abrasives such as steel wool or powder abrasives as they will permanently damage the glass. Once the glass has been scratched, either expensive polishing or complete replacement of the glass will be required. Use only approved 1400 degree Fahrenheit (°F) high temperature fireplace ceramic glass to replace any cracked or broken glass. Refer to Appendix A for additional information.

## DOOR GASKET REPLACEMENT

Remove the doors from the unit. Place the doors, face down on a protective surface to ensure no marring or scratching occurs during gasket replacement. To replace the Thermoglass™ knitted rope and tape gasket, first remove all of the old material and gasket cement. Use a putty knife or other sharp instrument to assist in removal. Use caution to prevent injury when removing old material. It is important to ensure the area is totally clean before installing the new gasket cement and material. The gasket must fit tight against the doorframe in order to ensure a proper airtight seal when the stove is being operated. Apply gasket cement to the gasket channel per instructions provided with the gasket kit. Once the cement has been properly applied, install the new gasket. Both gasket and gasket cement are available from your authorized Country Flame dealer. The following table defines the gasket material used in the Inglenook Fireplace:

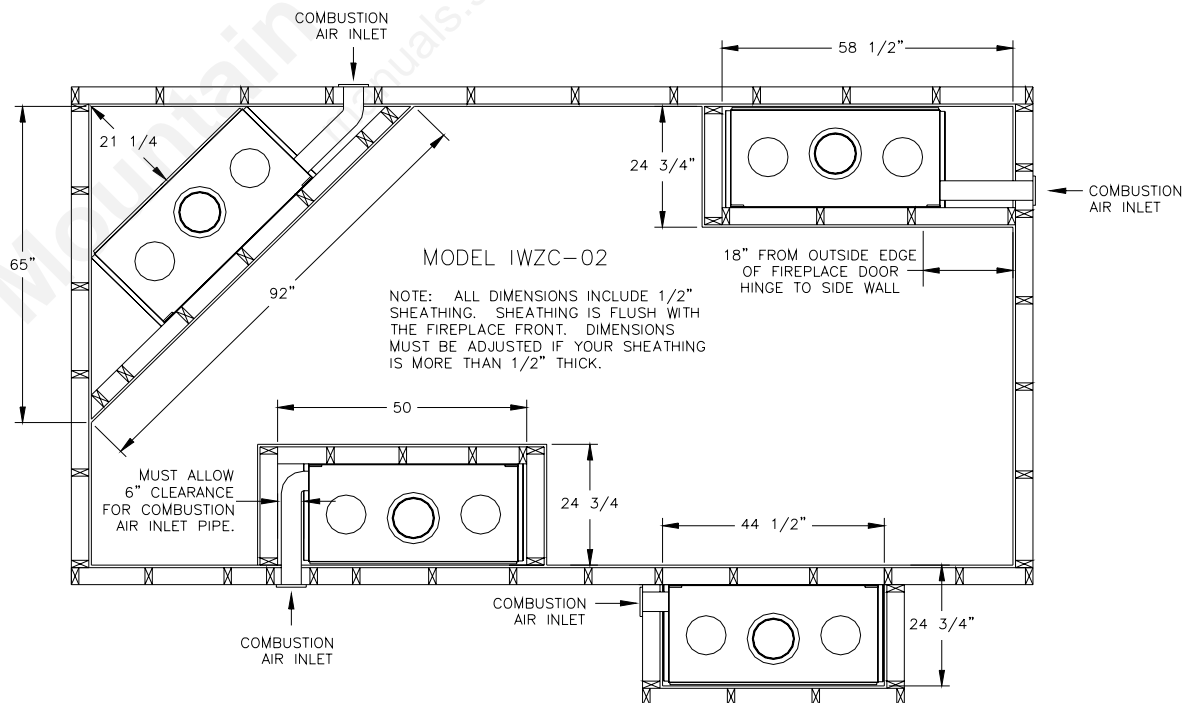
<u>Gasket</u>	<u>Length</u>	<u>Quantity</u>	<u>Dimensions</u>
Around glass	4.25 feet each	2	¾" wide by 1/16" thick tape
Doorframe	5 feet each	2	3/8" rope, high density
Ash drawer	30 inches	1	½" wide by 1/8" thick tape

## FIREPLACE INSTALLATION

### INGLENOOK FIREPLACE LOCATION

1. The best location for your fireplace is determined by considering the location of windows, doors, and the traffic flow in the room where the fireplace is to be located. It is important to allow space in front of the unit for the hearth extension and the mantel as well as taking into consideration where the room hot air ducts (optional) will be installed if the fireplace upper grill is not going to be used or is going to be augmented by optional hot ducts. Consideration must also be given as to where and how the outside fresh air kit and chimney will be installed. If possible, work with the installer to select a fireplace location where the chimney will pass through the house without cutting floor or roof joists. Check the specifications of the Inglenook Fireplace and layout a concept drawing of how this new system will fit into your home. Figure 9 shows different methodology for installing the Inglenook Fireplace.
2. Under normal circumstances, no additional floor joists should be needed to install the Inglenook Fireplace into a home. A few simple steps will verify whether more floor joists are required. First, know the weight of the Inglenook Fireplace system. The Inglenook Fireplace, with doors installed, weighs about 600 pounds. Include any additional options in the weight. Next, measure the area occupied by the Inglenook Fireplace. The bottom dimensions of the Inglenook Fireplace are 42 inches by 24 inches. Note the type of home floor construction and existing joists sizes. Then consult with the installer or verify the local building code to determine if additional support will be required.
3. The Inglenook Fireplace can be installed directly on a combustible or non-combustible floor. A minimum of 7 feet (measured from the base of the appliance to the ceiling) is required between the base of the appliance and the ceiling.

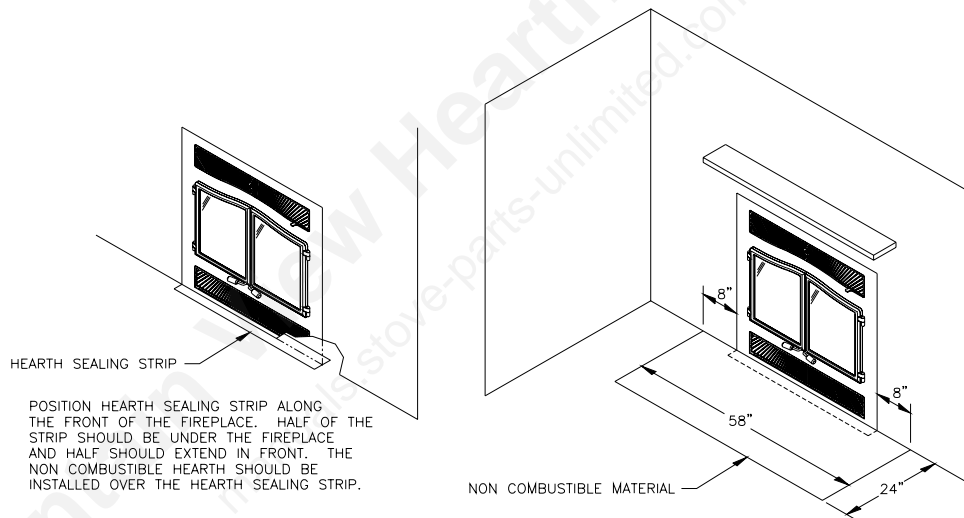
**FIGURE 9: INGLENOOK FIREPLACE DIMENSIONAL REQUIREMENTS**



## HEARTH EXTENSION REQUIREMENTS

The Inglenook Fireplace can be installed directly on a combustible or non-combustible base or directly on the floor. If the customer chooses, the Inglenook Fireplace can be elevated off the floor as long as the requirements in paragraph 3 on page 18 are maintained between the base of the appliance and the ceiling above the appliance. In addition, if the hearth is elevated in reference to the fire chamber, the hearth extension cannot be elevated any higher than the bottom of the lower grill.

A combustible floor in front of the fireplace must be covered with tile, marble, stone or any other non-combustible material. Figure 10 demonstrates the vertical relationship between the fireplace, the sealing strip and the hearth extension. **WARNING:** A hearth extension is to be installed only as illustrated in Figure 10 and in conformance with any local building codes. It is recommended that either a sealing strip or sand-cement grout be used between the hearth and the on-site construction hearth extension. Country Flame provides a non-combustible sealing strip for use in the hearth extension. All hearth extensions must have an R-value of 2.0 or greater to ensure proper floor protection. If thermal conductivity (k-factor) or thermal conductance (C-factor) is used instead of thermal resistance (R factor) the use the relationships as follows a) k-factor is given with required thickness (T) in inches as  $R = 1/k \times T$  or b) C-factor is given as  $R = 1/C$ .



**FIGURE 10: INGLENOOK FIREPLACE HEARTH EXTENSION REQUIREMENTS**

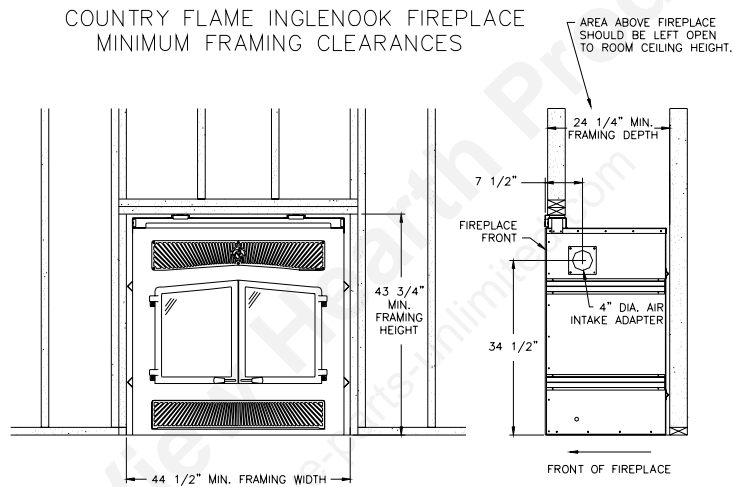
## FRAMING, FACING, & MANTEL

The construction of the framing, facing, and mantel must be in accordance with approved construction industry standards and local building codes. The following steps, along with the sample illustrations shown in Figure 11 through Figure 12 are offered as suggestions on how to handle installation.

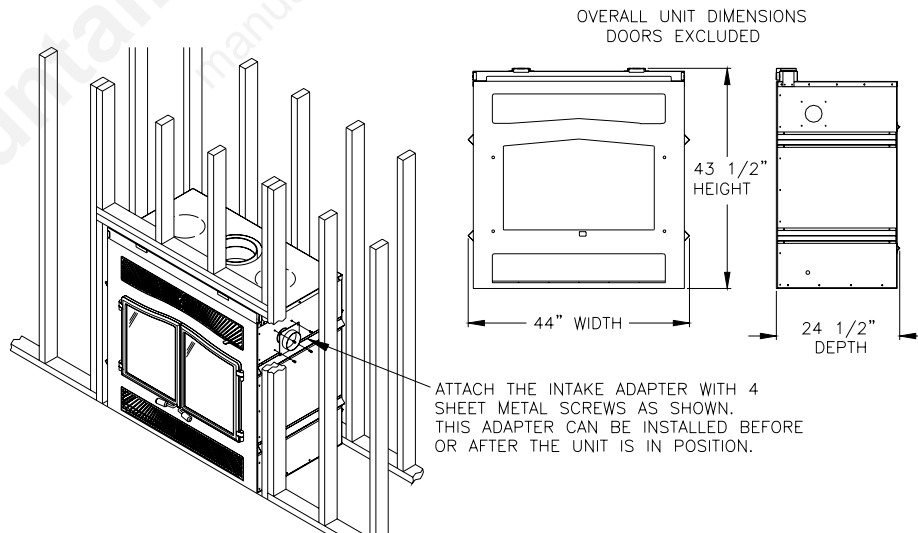
1. Frame the fireplace using 2" x 4" or heavier lumber. See Figure 11 for an example of rough-in dimensions of the Inglenook Fireplace.
2. **WARNING:** Combustible material cannot be used in the space directly above the fireplace. This area must remain empty for **a height of 7 feet measured from the base/floor of the appliance to the ceiling containing the combustible material above.**

3. Frame the Inglenook Fireplace with vertical studs on each side of the fireplace. These studs should run from floor to ceiling as shown in Figure 12. If combustible facing is to be used, space the studs back from the front edge of the fireplace by the thickness of the facing material. This will ensure that when the facing material is installed, it will be flush with the front edge of the Inglenook Fireplace. **CAUTION: Do not extend combustible material on to face of fireplace. Frame headers between the vertical studs only as follows:**

- Place 2" x 3" or 2" x 4" headers, only along the upper part of the front, side and back faces. Headers and Framing must not be any closer than stand offs permit. Do not put wood or any combustible material within the area above the fireplace except on the front facing.
- Place headers as required or to support the facing and mantel.

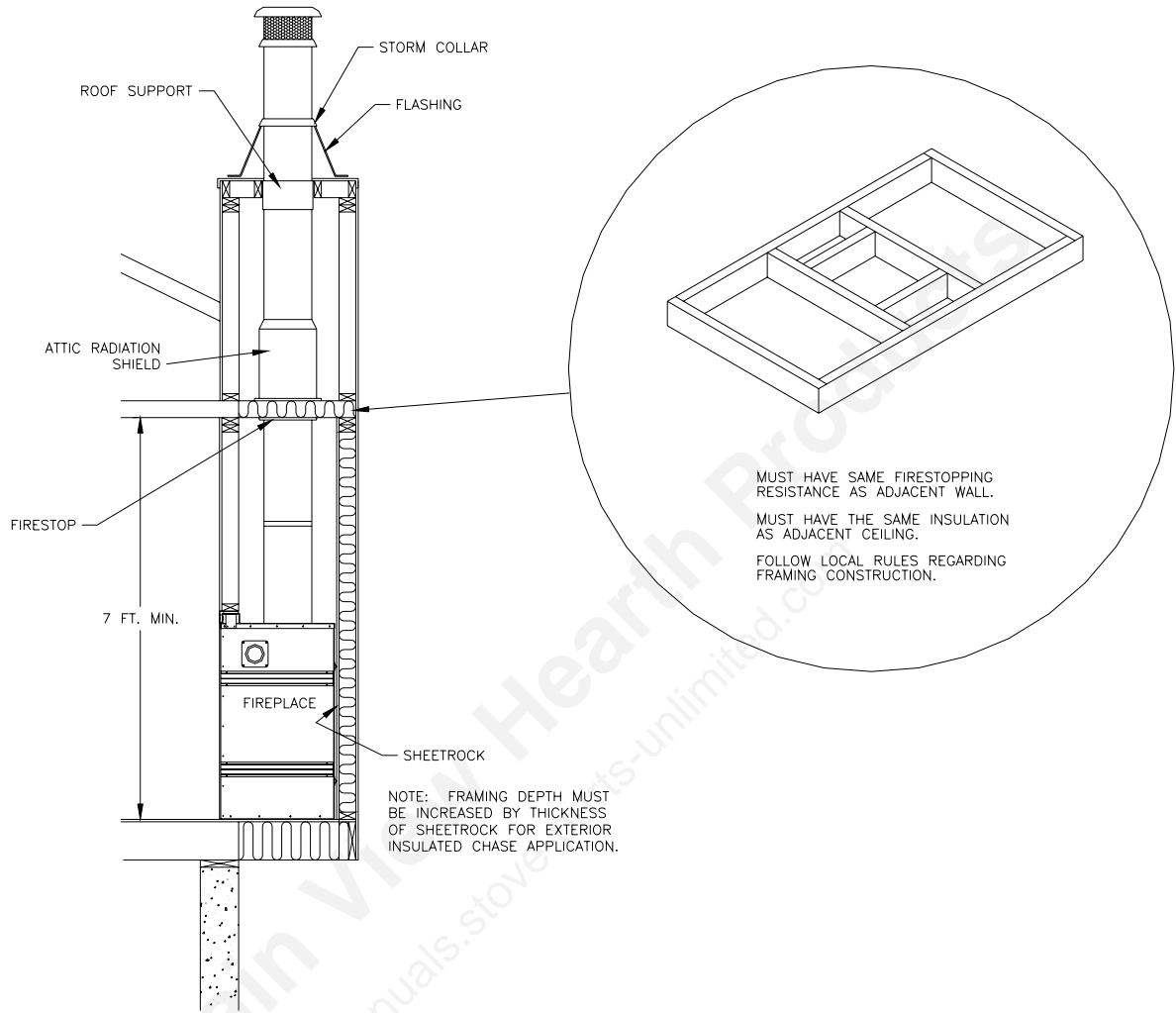


**FIGURE 11: ROUGH IN**



**FIGURE 12: FRAMING**

## INSULATED CHASE CONSTRUCTION



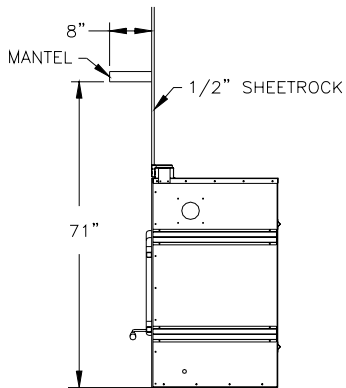
**FIGURE 13: INSULATED CHASE**

### FACING

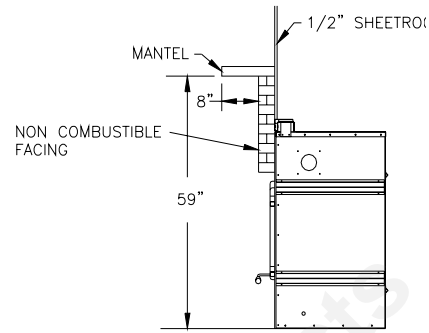
1. Combustible material must be installed flush with the fireplace. It may not project in front of or on the fireplace. This means that the steel front façade of the fireplace must not be overlapped with the combustible facing material. Figure 14 shows the proper installation of combustible material with reference to the fireplace front façade.
2. Non-combustible materials such as brick, stone or ceramic tile may project in front of and onto the steel front façade of the Inglebrook Fireplace. Figure 15 shows the proper installation of non-combustible material with reference to overlapping the fireplace front façade.

### MANTEL

The mantel must be installed at least 71 inches above the base of the fireplace. Figure 14 shows the proper location of the mantel with respect to the base of the fireplace.



**FIGURE 14: COMUSTIBLE FACING**



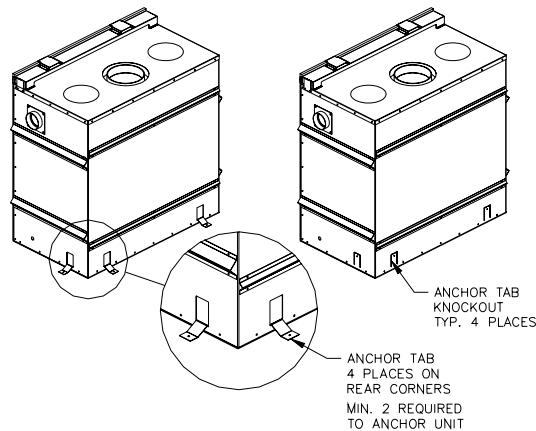
**FIGURE 15: NON-COMBUSTIBLE FACING**

**MANTEL CLEARANCES:**

- Option 1: When installing the unit **without** the gravity duct kit the mantel must be at least 71” from the base of the unit.
- Option 2: When installing the unit **with** the optional gravity duct kit the mantel must be at least 55 inches from the bottom of the unit.
- Option 3: When installing a brick/stone facing protruding 3 ½ inches from the front of the unit, the mantel must be at least 59 inches from the base of the unit.
- Option 4: When installing the unit using the optional hot air block –off kit and the gravity duct kit, the mantel must be at least 45 inches from the bottom of the unit.

**MOBILE HOME INSTALLATION AND CEARANCES:**

The Inglenook Fireplace has been tested and approved for installation in mobile homes. It is important to follow additional installation requirements associated with mobile home installation. Then Inglenook Fireplace must be securely fastened to the floor of the mobile home using the system provided by Country Flame. Figure 16 demonstrates the recommended “tie down” points for use in securing the Inglenook Fireplace to a mobile home floor. In addition, the Inglenook Fireplace should **NEVER BE INSTALLED IN THE SLEEPING AREA OF ANY MOBILE HOME**. Also, the structural integrity of the mobile home floor, wall, ceiling, and roof must be maintained during the installation of an Inglenook Fireplace in a mobile home application. If there are any questions concerning mobile home installation, contact your local Country Flame dealer and adhere to all local codes concerning mobile home installation.



**FIGURE 16: INGLENOOK TIE DOWN POINTS**

## HOT AIR DUCT INSTALLATION

There are many different types of hot air ducting systems in the marketplace today. Only a hot air duct system that has been specifically safety tested with the Inglenook Fireplace is authorized for use with this product. Country Flame Technologies has safety tested the following kit:

IN-7000GDK Hot air duct kit, double

### HOT AIR DUCT KIT

Only the IN-7000GDK hot air duct kit is authorized for use with the Inglenook Fireplace: Double hot air outlet kit: (See Figure 17)

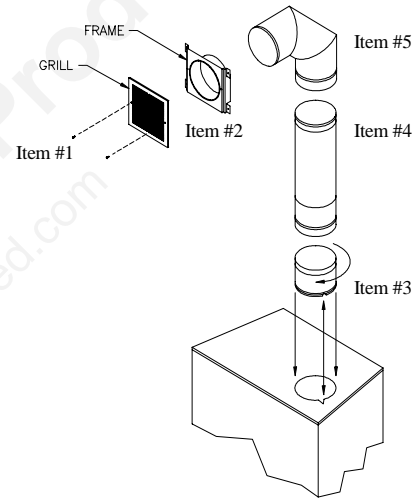
#### INCLUDED IN KIT

- 2 grill covers, Figure 17, item #1
- 2 grill boxes, Figure 17, item #2
- 2 starter adapters, Figure 17, item #3

#### NOT INCLUDED IN KIT

- 8 Inch inside diameter pipe, Figure 17, item #4
- 90-degree elbows, Figure 17, item #5

**Note:** 8-inch lengths (#4) and 90 degree elbows (#5) must be listed class “B” vent.



**FIGURE 17: HOT AIR DUCT KIT**

The hot air duct kit allows blockage of the upper grill of the Inglenook Fireplace. If the upper fireplace grill is blocked on the Inglenook, the hot air duct kit cannot be terminated as a floor register due to excessive heat output. To block the upper grill follow these simple steps:

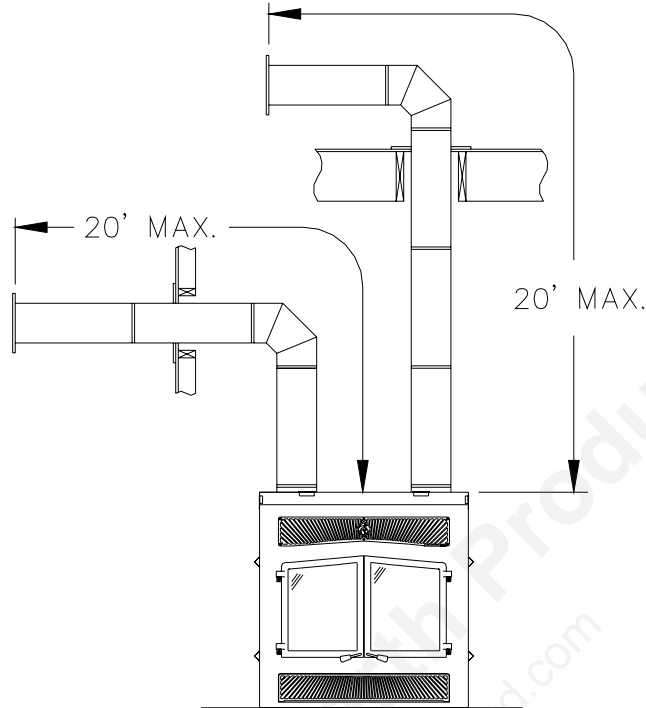
- Remove the upper fireplace grill.
- Install the black flat panel. No insulation strip is to be installed inside grill area.
- The fireplace façade can now be covered with non-combustible material.

There are certain safety rules that must be adhered to when installing a gravity hot air duct kit. Please refer to the following information and check local codes.

Minimum height 12-inch minimum with  
B vent section, then 90-degree elbow.

Maximum length 20 feet, see Figure 18

When installing the double outlet hot air duct kit system, the air outlets may be installed in the same room as the fireplace. Or, the outlets may each be installed in different adjacent or upper rooms. If the air outlets are at different elevations, the higher outlet will tend to exhaust more heat. Figure 18 shows such a configuration.



**FIGURE 18: HOT AIR DUCT KIT MULTIPLE LOCATION INSTALLATION**

Hot air duct outlets must be installed with the following information or local codes adhered to:

1. Remove the plates closing up the eight-inch diameter holes on top of the Inglenook Fireplace. There is a hot air duct outlet on each side of the eight-inch chimney flue outlet. Cut the insulation covering the air duct outlets. This will expose two eight-inch diameter openings. Install the two adaptors into the eight-inch openings.
2. There must be at least a one-inch clearance maintained between the hot air duct outlets and any combustible material. Refer to the hot air duct installation kit instructions for the proper hole sizes.

**Exception #1:** For the grills covering the hot air grill boxes, framing should be 13 inches wide by 15 inches high to provide the clearance as required by the integral spacers on the double outlet duct system. At no time should any combustible facing material cover any part of the hot air duct outlet grill face.

3. The maximum number of elbows in any duct run is two.
4. Maintain at least 14 inches clearance from the outlet grill framing to a combustible ceiling sidewall or mantel.
5. When traversing a combustible wall or floor, a fire stop must be installed at the wall or floor penetration. Refer to the duct flue installation kit requirements for proper installations.
6. Do not connect the hot air ducts to any part of the central heating system. Malfunction of the heating system's fan will cause the fireplace to overheat. The central heating duct system is only single wall. The Inglenook Fireplace chimney requires double wall Type B vent. The

Inglenook Fireplace has not been tested for a **Central forced air kit** and should not be used in such applications.

7. Use only Country Flame approved grills and components as described in the kit and specifications sections of this manual. Non-approved grills or registers may be too restrictive and thus create a situation that overheats the fireplace or ceiling.
8. Do not use insulated flexible ducts with the Inglenook Fireplace. Use of these materials can create a situation that overheats these materials and creates a hazardous situation.
9. Do not use tees or any other components other than the ones specifically listed in this manual.
10. All ducts must extend upwards or horizontally. Never try to route the ducting downward.
11. The hot air outlet grills must be installed with the louvers pointing downwards in order to prevent overheating adjacent ceilings.

## **OUTSIDE AIR KIT**

During operation, the Inglenook Fireplace requires fresh outside air to be drawn into the combustion chamber while hot exhaust gases are removed via the chimney system. If fresh air is not available in proper quantity, the Inglenook fire may starve out or pull enough air from inside the house (if the fireplace doors are open) causing other fuel burning appliances to go out. Any operating Exhaust fan will also compete for air that may lead to negative pressure in the house. This can result in smoke entering the house from the fireplace. This situation has become more likely as modern house construction has improved air tightness. To minimize this problem, the Inglenook Fireplace requires the **installation of an outside air duct system**.

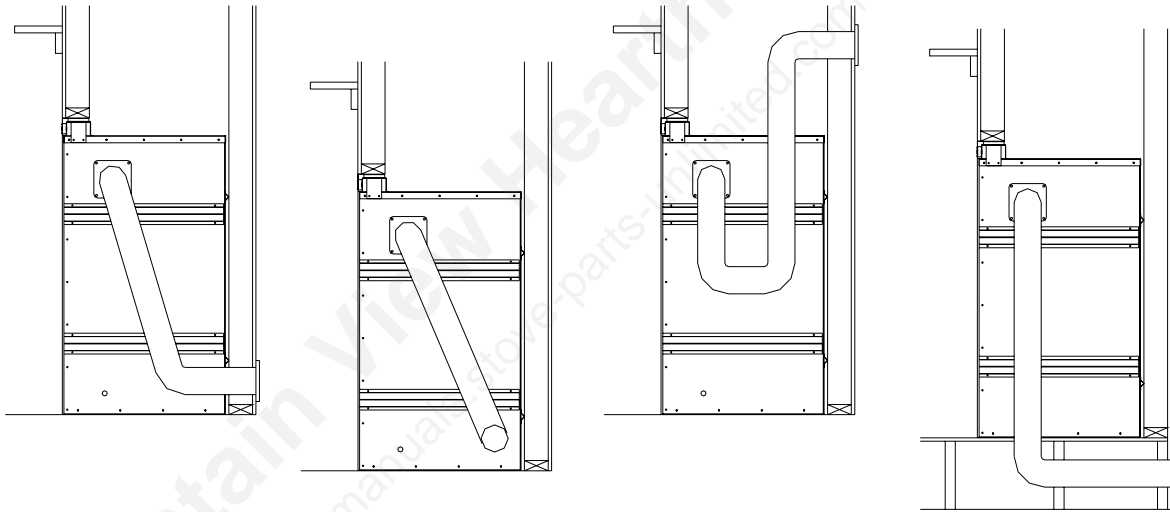
The fresh outside air duct system must be installed according to the following requirements, See Figure 19 for example installations:

1. The fresh outside air duct length should be kept to a minimum length. The maximum length of the fresh outside air duct is 40 feet with a 5-foot reduction for each elbow installed.
2. The fresh outside air duct must come from outside the house. This means installation in the attic, basement or garage is incorrect and will void the warranty as well as create a hazardous operating condition.
3. The fresh outside air duct intake register should be installed where it will not become obstructed or blocked by snow or exposed to extreme wind. In addition, remember that this system is meant to pull fresh air from outside the house. Ensure that it is kept away from automobile exhaust fumes, gas meters, or other home vents that might contaminate incoming fresh air to the Inglenook Fireplace.
4. The fresh outside air duct and register may be installed above or below floor level.

## OUTSIDE AIR KIT INSTALLATION

A minimum of a four (4) inch hole is to be made in the outside wall of the house at the specified location for the fresh air outside air duct. From outside the home place the fresh outside air duct register in the hole (open side down) and fasten the register to the wall with screws provided. Slip the duct pipe into the insulated sleeve. Place the insulated pipe over the register tube and over the fireplaces outside air connector. Figure 19 shows multiple outside air kit installation possibilities. Galvanized pipe can be used for the outside air tubing but Country Flame Technologies recommends insulated pipe. Insulated pipe will reduce, if not eliminate, the chances of water condensate as cold air is brought into a warm air (living space.) Carefully pull back the insulation and plastic cover at each end exposing the flexible pipe. Using aluminum tape, wrap the tape around the joint between the flexible pipe and the air inlets. Carefully push the insulation and plastic cover back over the pipe. Using aluminum tape, fasten the plastic cover in place.

**CAUTION:** Ensure that any objects do not obstruct combustion air openings during or after installation.



**FIGURE 19: OUTSIDE AIR KIT INSTALLATION METHODS**

**NOTE:** Any termination of the outside air kit must include a screen cover with a maximum of 1/4" by 1/4" holes in the screen. The purpose of this exterior cap and screen is to prevent rodent entrance into the outside air system.

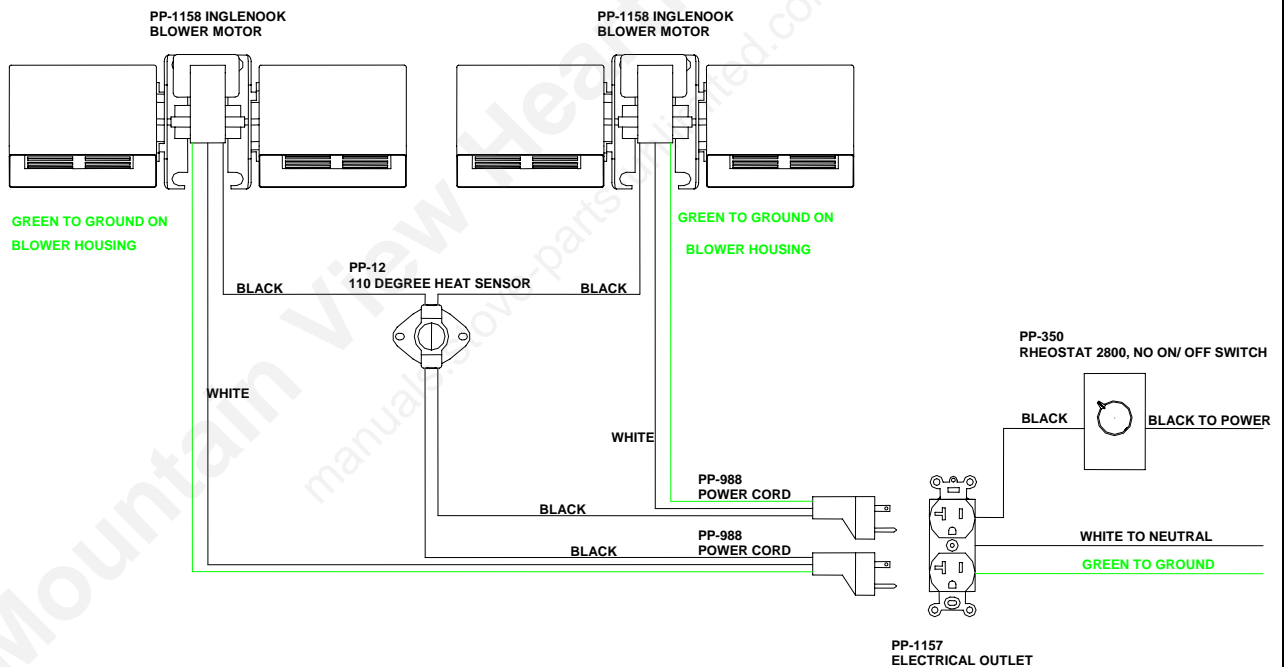
## ELECTRICAL LINE INSTALLATION

### 120 VOLTS AC FOR BLOWER SYSTEM

The Inglebrook blower system requires a 120-volt alternating current, 15-ampere, 60-Hertz power supply circuit. Figure 20 shows the basic electrical diagram for the Inglebrook's blower system.

**CAUTION: Moving parts may cause Injury. Do not operate the Inglebrook with its lower grill open.**

**FIGURE 20**  
**IN-WD01**  
**INGLEBROOK BLOWER**  
**WIRING DIAGRAM**



## **BLOWER OPERATION**

Operation of the blower system is relatively simple. After the fire has generated enough heat, the blower system will automatically turn on. The blower begins to operate because the Inglebrook grate area has reached approximately 110<sup>0</sup>F causing the installed snap disk to close thus energizing the blower motor electrical circuit. Blower motor system operation could take longer than 20 minutes depending on room temperature, outside temperature, and the size of the fire started in the Inglebrook. It is important to note that if the wall mounted blower speed control is installed and turned to low, the blower's speed will limit the amount of airflow that can be obtained as the blower motor begins operation. Do not try to service the blower system unless you are a certified electrician. With the blower motor system plugged into the receptacle and the electrical supply energized, an electrical shock potential exists. The Inglebrook lower compartment is labeled with Risk of Electrical Shock. Disconnect Power Before servicing the Unit. Knowledge of electrical systems is required for troubleshooting and servicing of the blower system.

In addition, **the blower system has moving parts that may cause injury.** Do not reach into the lower grill area and try to determine if the blower is operating by touching or feeling for a vibration of the motor. Reaching into the area of moving parts may cause injury. Never reach into the lower grill compartment when the Inglebrook Fireplace is being burnt as severe burns can occur from contact with hot parts.

**DANGER: Risk of Electric Shock. Disconnect Power Before Servicing The Blower Unit.**

## THE CHIMNEY

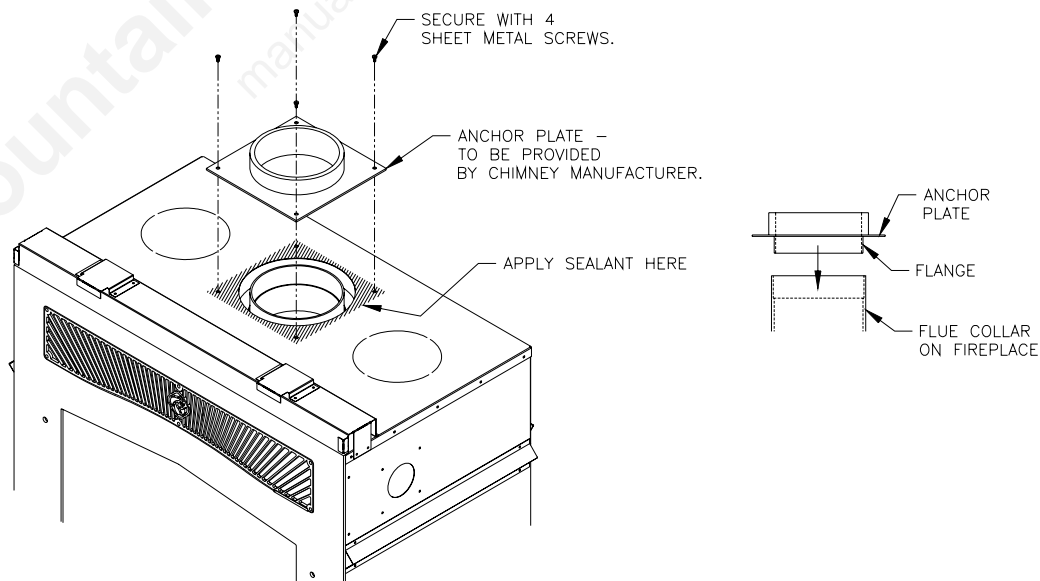
### CHIMNEY INSTALLATION

1. If possible, always install an approved chimney system in an interior chase of the home. This will provide better performance by maintaining heat in the entire chimney system thus ensuring better draft and removal of spent exhaust gases. In areas where temperatures hover or remain below freezing, the use of an exterior chimney will increase the likelihood of fireplace starting and operating problems. Some of these problems will be difficult starts, low draft, high rates of creosoting, and increased maintenance of the system will be required. Exterior chimneys are also prone to down drafting and flow reversal. Installations, which are located on lower floors in the house, such as in a basement, in combination with an outside chimney are especially prone to flow reversal.

Follow the Chimney Manufacturer's installation procedures included with the chimney system being installed with the Inglenook Fireplace. Installing the chimney must be in compliance with the local codes, chimney manufacturer's recommended procedures, and must attach to the Country Flame product in accordance to instructions provided.

**CAUTION: DO NOT FILL REQUIRED CLEARANCES AROUND THE CHIMNEY AND SURROUNDING COMBUSTIBLE MATERIAL WITH INSULATION!**

2. The Inglenook Fireplace is listed for only an eight-inch diameter chimney system. Refer to the specifications in this manual for approved chimney systems to be used with the Inglenook Fireplace.
3. **IMPORTANT:** The anchor plate flange or air-cooled starter collar must fit into the flue collar on the fireplace to prevent creosote leakage. Figure 22 shows the proper installation onto the top of the Inglenook Fireplace. It is important that this anchor plate or starter collar be installed correctly to support the chimney, ensure no leakage of creosote, and ensure no leakage of fumes.



**FIGURE 22: ANCHOR PLATE INSTALLATION**

4. **MINIMUM CHIMNEY HEIGHT:** The chimney must be a minimum of 8' above top of fireplace. The chimney must extend a minimum of three feet above the highest point where it passes through the roof. Also, the chimney must be at least two feet higher than any portion of the building within ten feet.
5. **MAXIMUM CHIMNEY HEIGHT:** The chimney can be no taller than 50' high as measured from the top of the Inglebrook Fireplace anchor plate.
6. **ELBOWS USED IN CHIMNEY CONSTRUCTION:** A maximum of four thirty-degree elbows can be used in chimney construction as long as they are used in 2 sets offset from each other. Maximum offset is 4'.

If two thirty-degree elbows are used, the chimney must be a minimum of 12' high.

When four thirty-degree elbows are used, the chimney must be a minimum of 25' high.

Follow all chimney manufacturers' clearance recommendations for distances from combustible material and the location of support bracket requirements.

7. A chimney venting the Inglebrook Fireplace shall not vent any other appliance.

**WARNING:** In cold areas, an air-cooled chimney may generate a large amount of water due to condensation. This water will accumulate on top of the fireplace and may cause corrosion. Country Flame Technologies Inc. cannot be held responsible for condensation/corrosion problems. In cold climates, Country Flame recommends the use of HT Listed UL103 2100° chimney.

8. A rain cap must be installed on top of the chimney. Failure to install a rain cap will cause corrosion of the chimney system and degrade its expected life and warranty.
9. **FOLLOW THE CHIMNEY MANUFACTURER'S INSTALLATION PROCEDURES FOR PROPER CLEARANCES BETWEEN THE CHIMNEY AND ANY COMBUSTIBLE MATERIALS.** Do not fill this space with insulation or any other combustible material.
10. Any portion of the chimney system that extends through a living (accessible) space must be enclosed to avoid contact with combustible materials, damage the chimney, or to prevent occupants from coming in contact with the chimney system.

#### **CHIMNEY INSTALLATION INSTRUCTIONS**

Cut and frame the required holes in the floors, ceilings, and roof where the chimney will be passing through.

**REFER TO THE CHIMNEY MANUFACTURER'S INSTRUCTIONS FOR PROPER CLEARANCES REQUIRED BETWEEN CHIMNEY AND COMBUSTIBLES, REQUIRED SUPPORT BRACKETS, AND THE PROPER FRAMING REQUIRED AROUND THE CHIMNEY.**

Install chimney sections, fire stops, attic insulation shields, and any other chimney parts per the manufacturer's installation instructions.

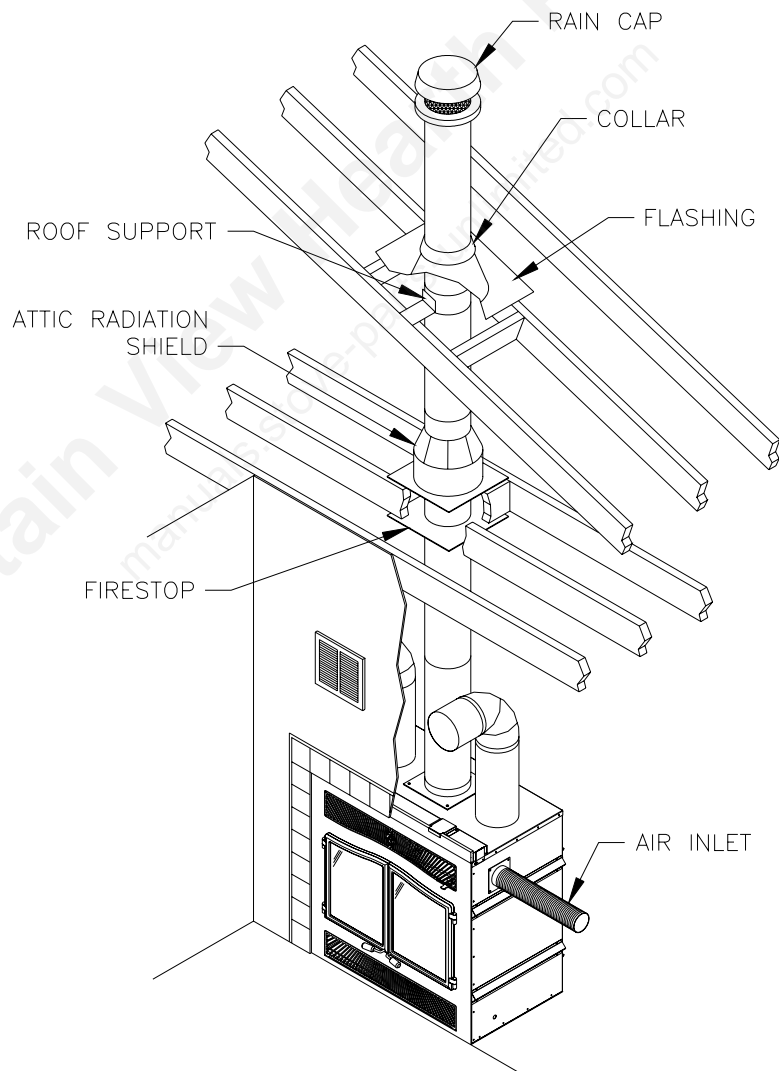
**REMINDER:** The chimney must extend at least three feet above the highest point where it passes through the roof of a building. The chimney must be at least two feet higher than any portion of a building within ten feet of the chimney. Refer again to Figure 5 for clarification.

Install the flashing, storm collar and the chimney cap following the chimney manufacturer's instructions.

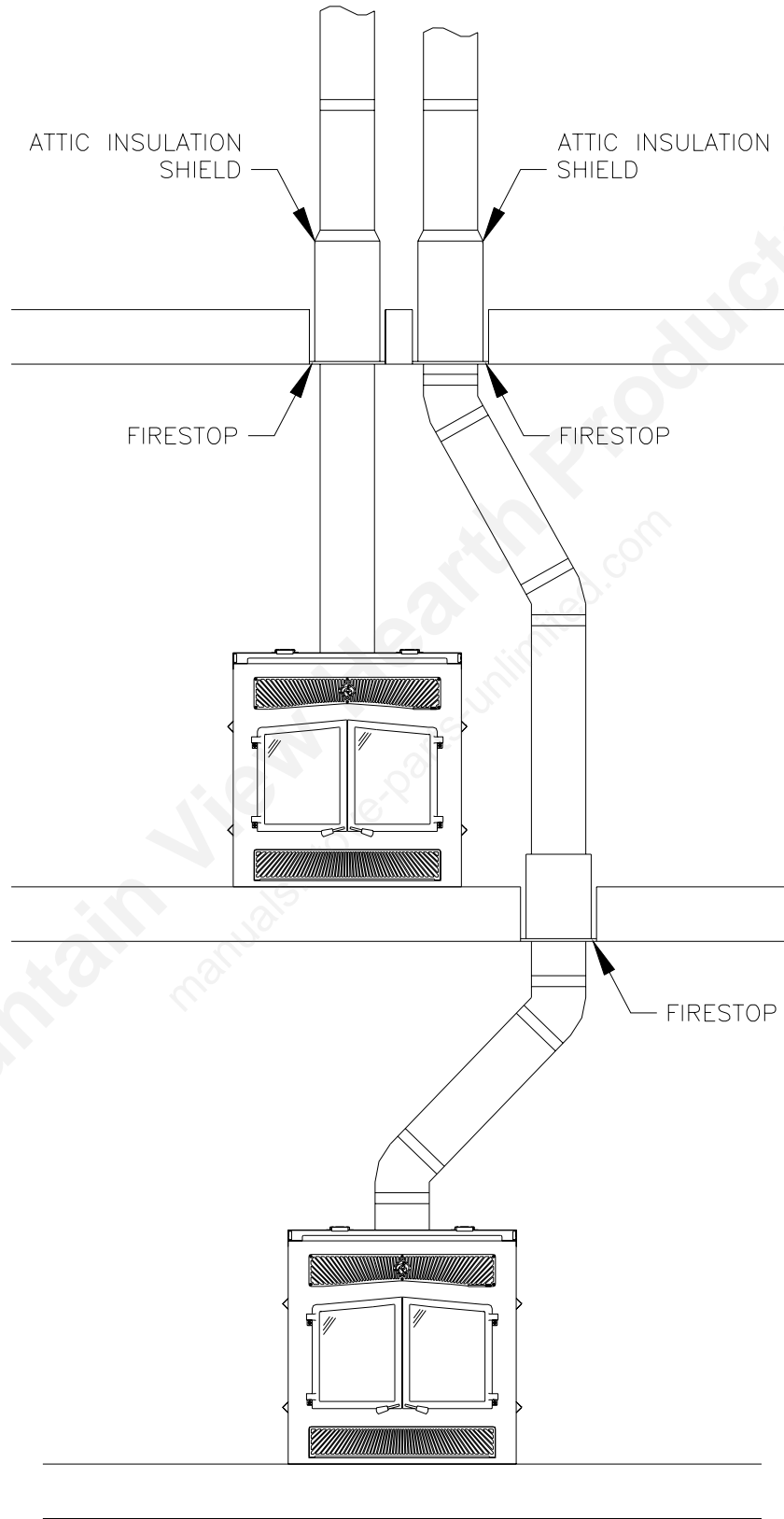
Refer to the chimney manufacturer's requirements concerning supports, bracing, anchors, and other required material.

Figure 23, Figure 24, Figure 25, and Figure 26 are provided as reference examples for different chimney installations. Please refer to the chimney manufacturer's instructions for proper installation of the type chimney being installed with the Inglenook Fireplace.

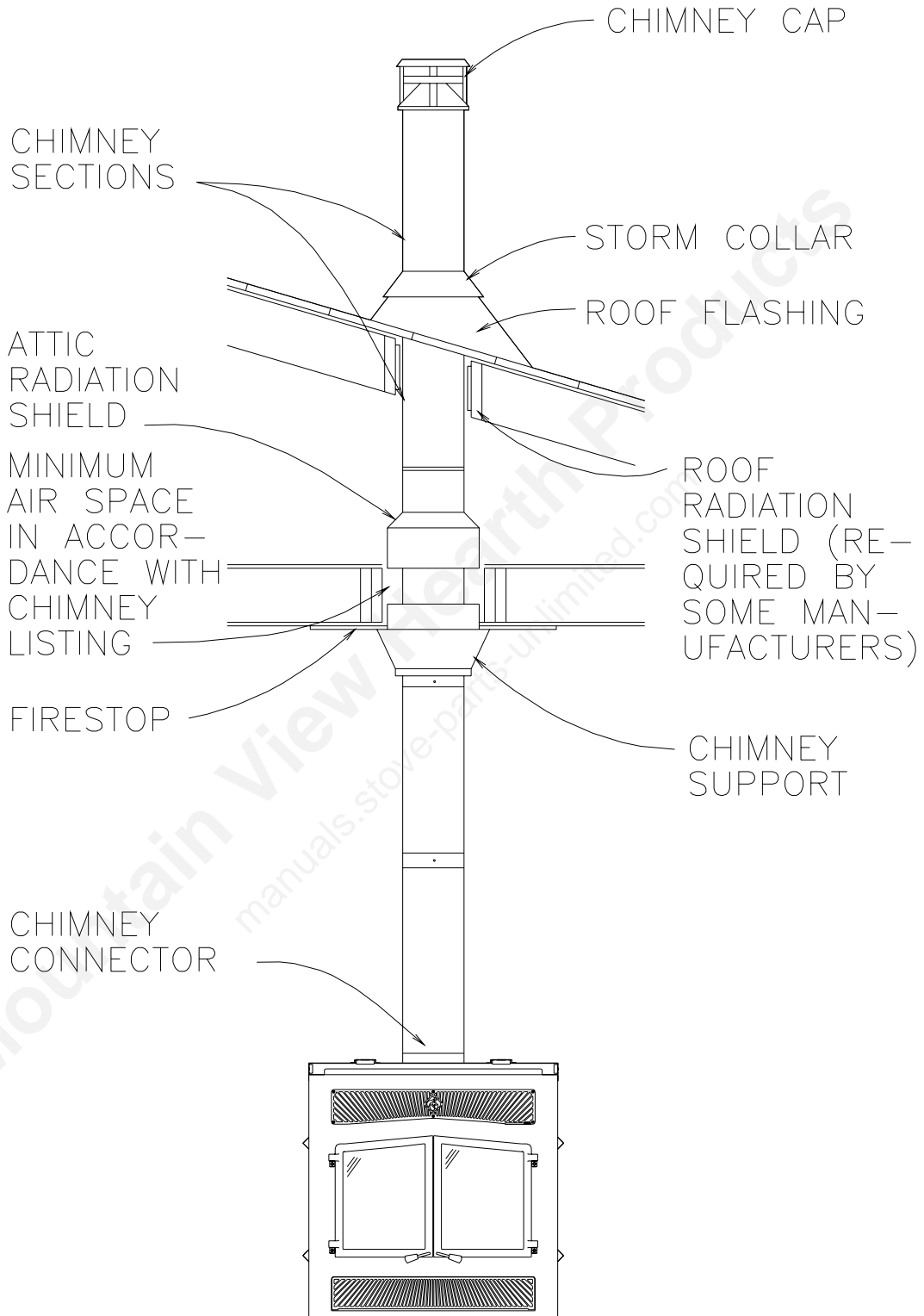
**FIGURE 23: EXAMPLE CHIMNEY INSTALLATION (Interior Space)**



**FIGURE 24: EXAMPLE MULTIPLE CHIMNEY INSTALLATION (INTERIOR SPACE)**

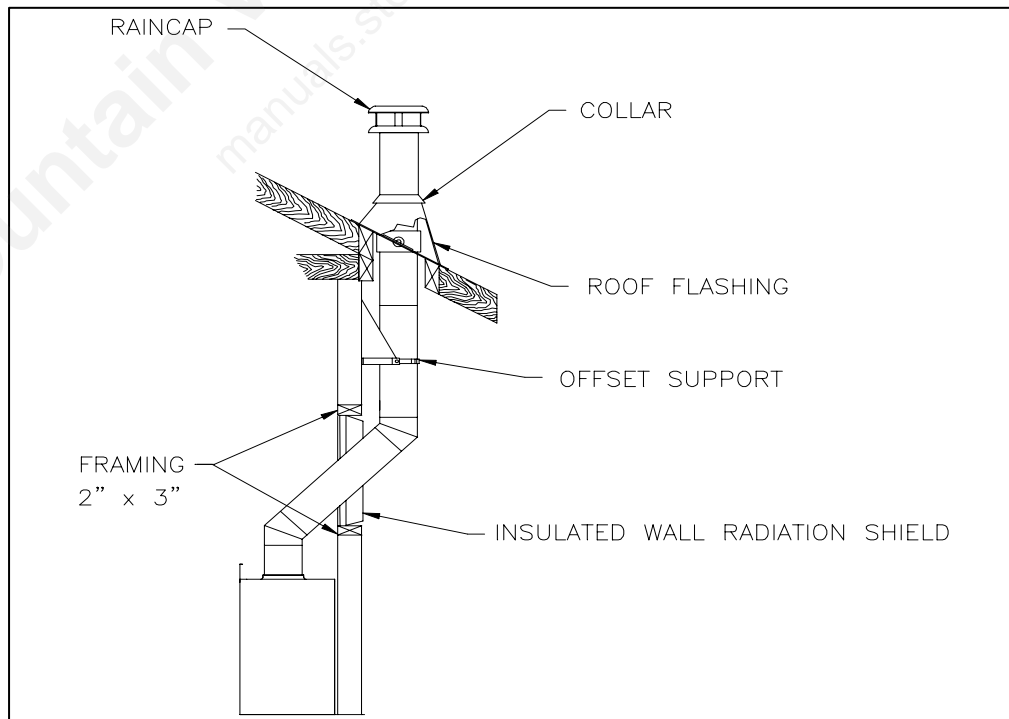
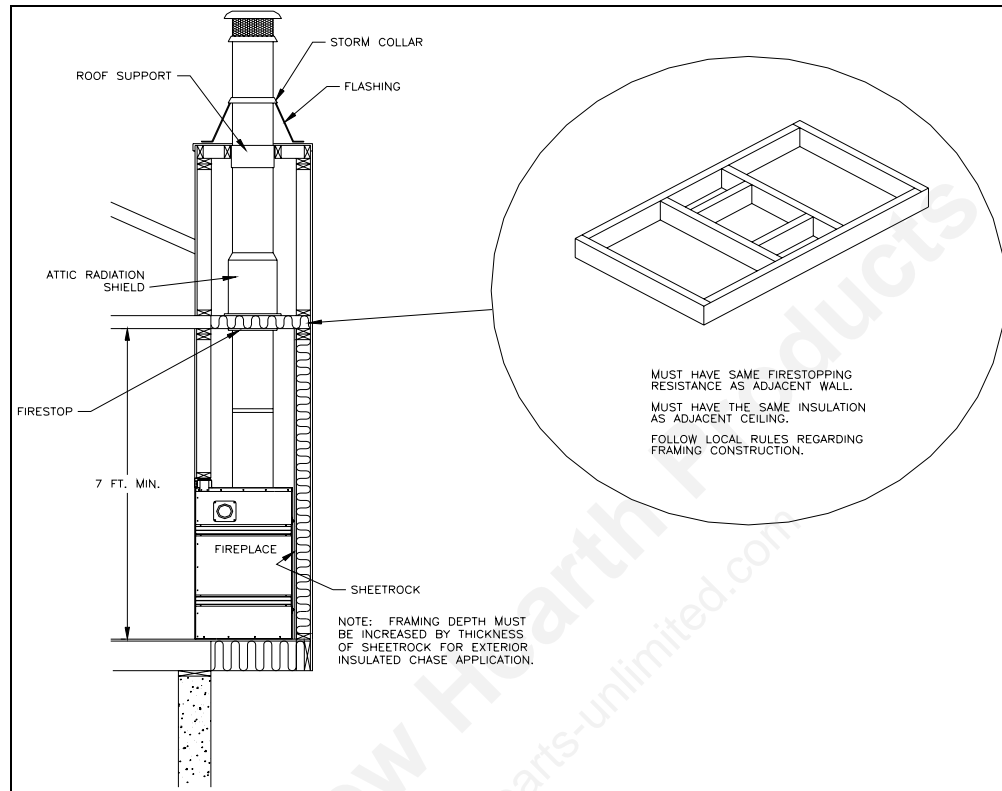


**Class A AC CHIMNEY INSTALLATION (AIR COOLED CHIMNEY)**



**FIGURE 25: AC CHIMNEY**

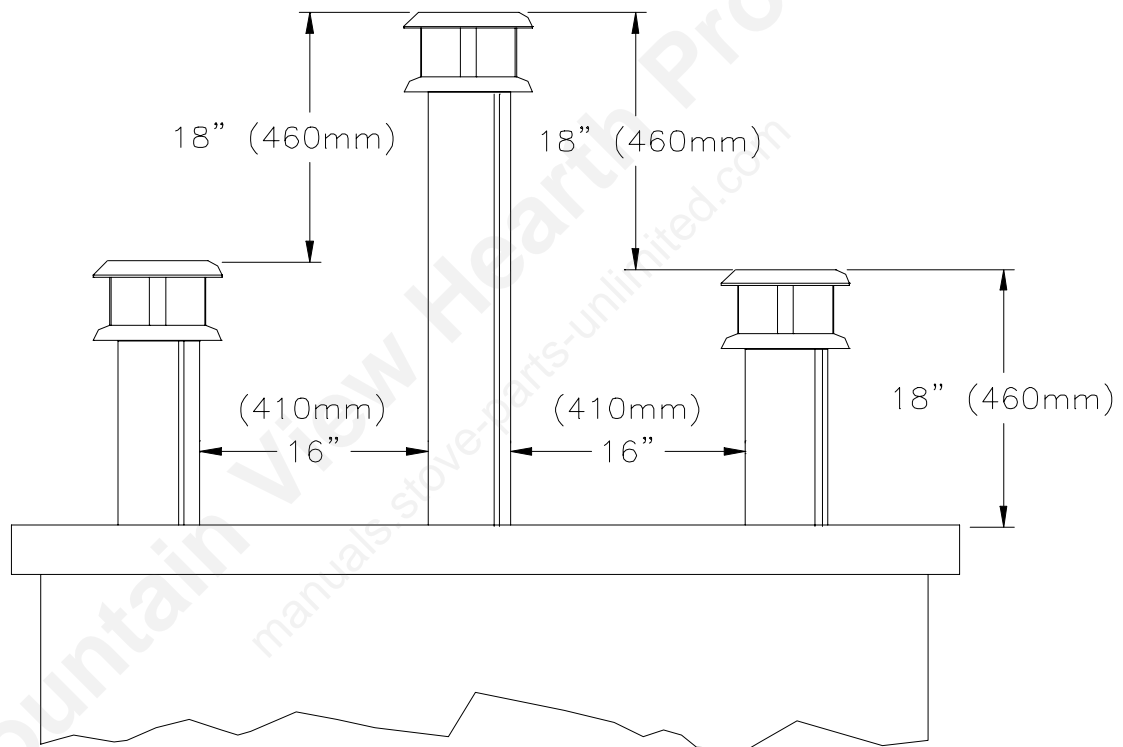
**FIGURE 26: EXAMPLE CHIMNEY INSTALLATION (exterior space)**



## CHIMNEY CHASE AND MULTIPLE TERMINATIONS

For the purpose of this manual, a chimney chase is considered a part of the chimney system rather than part of a building. The chimney termination must be placed a minimum of eighteen inches or four hundred and sixty millimeters above the case.

For installations where more than one chimney is located in the same chase or within the same area, it is recommended that each chimney termination be separated by at least sixteen inches or four hundred and ten millimeters from the next chimney and each chimney termination be placed a minimum of eighteen inches or four hundred and sixty millimeters above the case. These separations are required to prevent smoke from migrating from one chimney to another. Figure 27 shows an example of the required minimums.



**FIGURE 27: CHIMNEY CHASE AND MULTIPLE TERMINATIONS**

**CHIMNEY TYPE**

**WARNING:** Use only 8-inch type HT or Air Cooled Chimney Listed per UL 103 or ULC S269.

**APPROVED CHIMNEY PRODUCT**

**TYPE HT EIGHT INCH APPROVED CHIMNEY**

ICC – Excell Chimney Products

Selkirk – Metalbestos Chimney Products

Security Chimney Products

Metal Fab Chimney Products

All brands of eight-inch type HT chimney are approved when using an approved Country Flame Flue Adaptor.

**TYPE AIR COOLED EIGHT INCH LISTED PER UL 103 or ULC S269**

Security Chimney Products

Heatilator Chimney Products

All brands of eight-inch type air-cooled chimney are approved when using an approved Country Flame Flue Adaptor.

## INSTALLATION ITEMS

### (REQUIRED)

#### Item Required

#### Required/Installation

Ingenook Fireplace	1 each
Ingenooks hold down system (mobile home only)	1 each
Ingenook Hearth Extension Sealing Strip	1 each
Ingenook Upper Grill or Grill Plate	1 each
Ingenook Lower Grill assembly	1 each
Ingenook Left Door assembly	1 each
Ingenook Right Door assembly	1 each
Ingenook Air Damper Tool	1 each
Approved Chimney Starter Collar	1 each
Approved Chimney System	1 each
Approved Fresh Air Intake System	1 each
Approved Local Code Electrical Rough-In w/ junction box for blower speed control	1 each

### (OPTIONAL)

#### PART NUMBER

Grill System* (Gold, upper)	IN-102U-G
(Gold, lower)	IN-103L-G
Door System* (Gold, left)	IN-807-L-G
(Gold, right)	IN-807-R-G
Glass Plain	PP-753
Glass (Etched)** (Left)	PP-754-L
Glass (Etched) (Right)	PP-754-R
Hot Air Duct Kit	IN-7000GDK
Spark Screen	IN-8000FS
Blank off Plate, Upper Grill	IN-102U-blank

**NOTE: \*Add “g” for gold, “n” for nickel, “b” for black, or “cust” for custom design on all door and grill orders.**

**\*\*For custom glass etching, please use “cust” after part number.**

**\*\*\*Use an “N” for natural gas or a “P” for propane when selecting a gas log set.**

## APPENDIX A

### INGLENOOK FIREPLACE SPECIFICATIONS

Fireplace Weight (with doors, glass, grills, and firebrick)	650 pounds
Fireplace Weight (w/o doors, glass, grills, and firebrick)	400 pounds
Height (from face edge to face edge)	41 inches
Width (from face edge to face edge, not including air outlet tube)	42 inches
Depth (from face edge to back edge)	24 inches

### STOVE BRIGHT HIGH TEMP PAINT SPECIFICATIONS

Manufacturer	Forrest Paint Company
Paint Type	Stove Bright
Country Flame Part Number	PP-803

### FIREPLACE PAINT CURE INSTRUCTIONS

Ventilate the house during the first three times the fireplace is used. The paint on the new fireplace can give off a smoke heavy with carbon dioxide and has an odor. Adequately ventilate the home to avoid a concentration of smoke or odor. Babies, small children, pregnant women and pets should not be in the area as the fumes cause an imbalance of air quality. Always open doors or windows and use a fan during the first few burns. Once the initial burns are complete the paint will set and there should be no more smoke or odor.

Do not touch the surface of the fireplace during the first three burn-in procedures. The paint will be soft and gummy until it cures properly. Most fireplaces stop smoking after 3 burns. The first two burns should be at 250<sup>0</sup>F (121<sup>0</sup>F) for 20 minutes. Do not let the fireplace cool down significantly between burns. The last fire should be between 500<sup>0</sup>F and 700<sup>0</sup>F for at least 45 minutes. Operate the fireplace slowly without a hot fire. If the fireplace gets too hot, too quick, the paint will crack. Country Flame recommends that the owner leave the door ajar on the fireplace during this process to prevent the gasket from sticking to the curing paint.

Fireplaces with a cooler surface temperature and those that were previously painted with another color will take longer to dry. The paint cure process can usually be observed by the effect of the paint turning flat as the heat radiates out from the hotter parts. If repainting a surface, use Stove Bright Paint Prep or Lacquer Thinner. Do not use paint thinner or turpentine as both of these products leave oil like film that interferes with adhesion of the paint.

### GLASS-CERAMIC SPECIFICATIONS

Manufacturer	<b>Schott Glaswerkes</b>
Window Type	<b>Glass-Ceramic, ROBAX®</b>

**ROBAX®** glass-ceramic has a thermal endurance far exceeding that of normal tempered glass. **ROBAX®** is designed to operate at temperatures ranging from -400<sup>0</sup>F to +1400<sup>0</sup>F. Despite its superior thermal properties, your **ROBAX®** stove windows should be treated with care. This glass-ceramic can still be scratched or broken by mechanical abuse. When cleaning the window, use only non-caustic, non-abrasive cleaners. Country Flame uses **ROBAX®** glass-ceramic that is 0.197 inches thick +/- 0.008 inches. The **ROBAX®** glass is custom cut to fit Country Flame product. If

problems occur or your glass needs replacement, contact one of the many authorized Country Flame dealers for assistance in replacing the glass.

**DO NOT ATTEMPT TO CLEAN HOT GLASS.**

Applying cleaner to hot glass may cause burns, emit hot noxious fumes, and the glass is more likely to stain.

Creosote and soot, caused by burning biomass fuels may be removed with Speedy White Hearth and Stove Cleaner or Cook Top Cleaning Crème available at most appliance centers or call 1-800-872-8855 to obtain the proper cleaning material. Be careful, the solution can stain surrounding material, especially after the creosote has dissolved and runs or drips off the glass. Hint: put down a generous amount of newspaper in the surrounding area. After using cleaner always remove all residue by washing the glass with water or conventional window cleaner spray. Any remaining residue will stain the glass when it is heated.

Mountain View Hearth Products  
manuals.stove-parts-unlimited.com

## APPENDIX B

### CLEARANCE TO COMBUSTIBLES

The following clearances meet the minimum requirements for a safe installation

Sidewall:	18 inches measured from the outer door edge hinge
Ceiling:	7 feet from the base of the fireplace
Fireplace Enclosure:	Bottom: 0
	Side: 1 inch
	Back: ½ inch
	Top: 2 ½ inches. Header may rest on top of top spacer.

**NOTE:** Combustible material cannot be used in the space directly above the fireplace.

Mantel:	Ducts closed with top grill open	71 inches
Mantel:	With 3 1/2 inches brick on front	59 inches
Mantel:	Ducts open & top grill open	55 inches
Mantel:	Ducts open & top grill closed	45 inches
Hearth:	Fireplace Width (42 + 8 + 8)	58 inches
Hearth:	Depth from front of fireplace	24 inches

NOTE: Mantel measurements are from the bottom of the Inglenook Fireplace unit.

## APPENDIX C

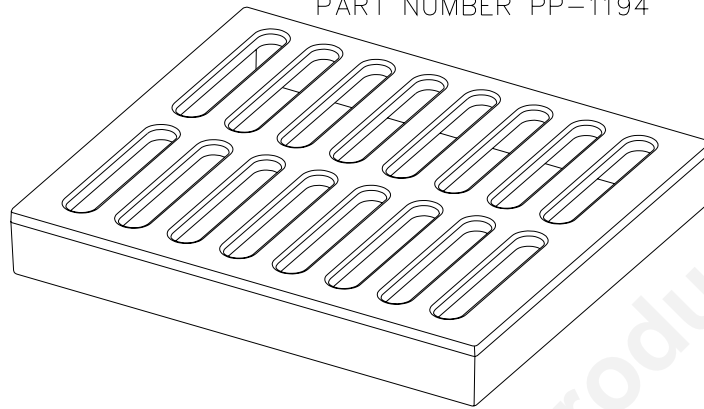
### REPLACEMENT PARTS

<u>Part Number</u>	<u>Description</u>	<u>Number per Inglenook</u>
PP-1194	Ash Grate	1
IN-201	Log Retainer/Security Kit	1
PP-868	Fire Brick	28
PP-753	Door Glass, plain	2
PP-754-1	Door Glass, etched left	1
PP-754-2	Door Glass, etched right	1
PP-1192	Ash Pan Latch	1
PP-1222	Magnetic Catch	1
PP-71	Brass Spring Door Handle	2
PP-1166	Owners Manual	1
PP-1158	Blower	1
PP-12	110 <sup>0</sup> F Snap Disk	1
IN-208	Duplex Electrical Outlet, Box	1
PP-1157	Duplex Electrical Outlet, Receptacle	1
IN-209	Hearth Sealing Strip Kit	1

**REPLACEMENT PART DRAWINGS**

ASH GRATE

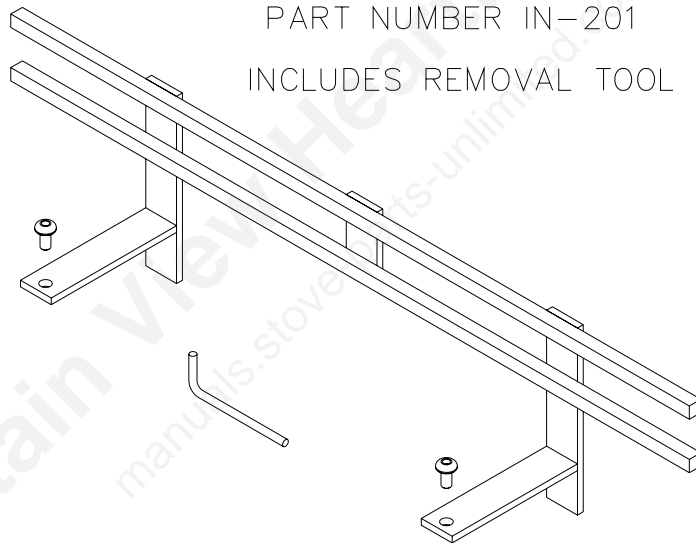
PART NUMBER PP-1194



LOG RETAINER AND HARDWARE

PART NUMBER IN-201

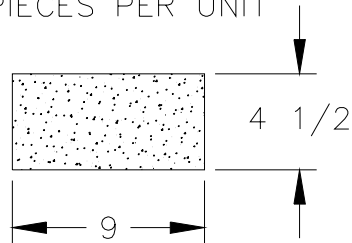
INCLUDES REMOVAL TOOL



FULL BRICK – 1 1/4" THICK

PART NUMBER PP-868

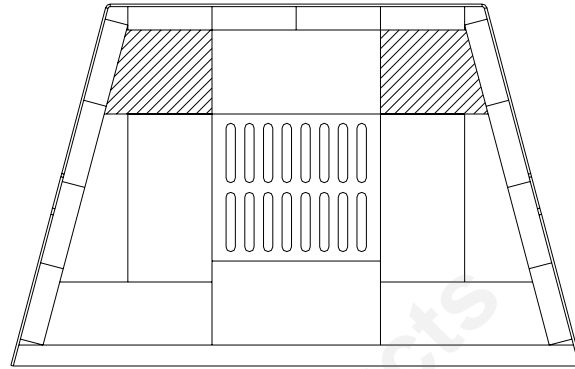
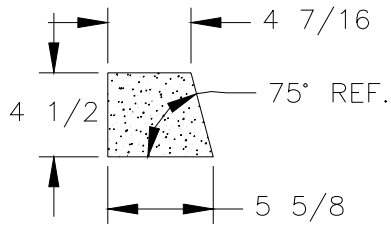
22 PIECES PER UNIT



MODIFIED BRICK – 1 1/4" THICK

PART NUMBER IN-202

2 PIECES PER UNIT

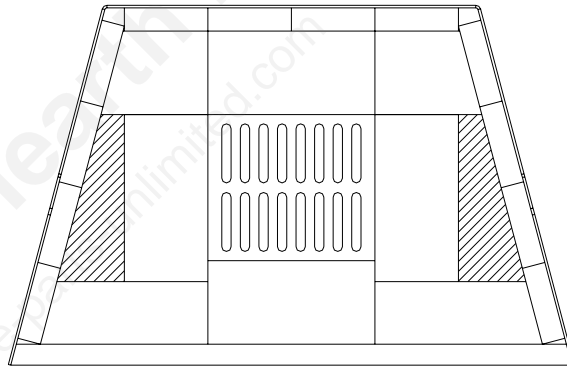
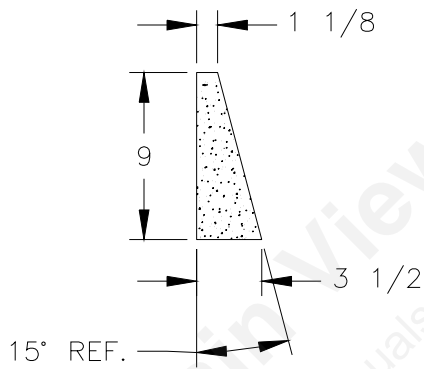


TOP VIEW

MODIFIED BRICK – 1 1/4" THICK

PART NUMBER IN-203

2 PIECES PER UNIT

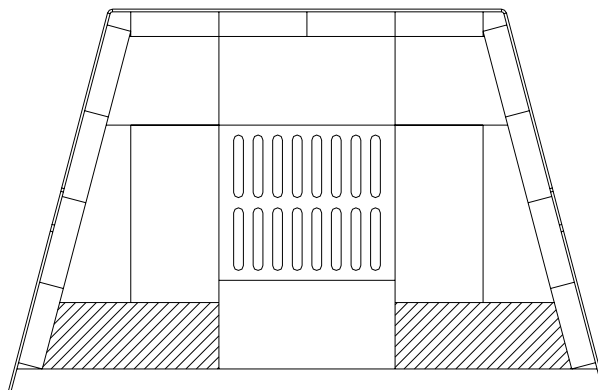
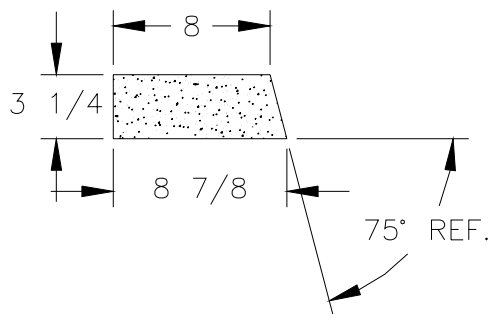


TOP VIEW

MODIFIED BRICK – 1 1/4" THICK

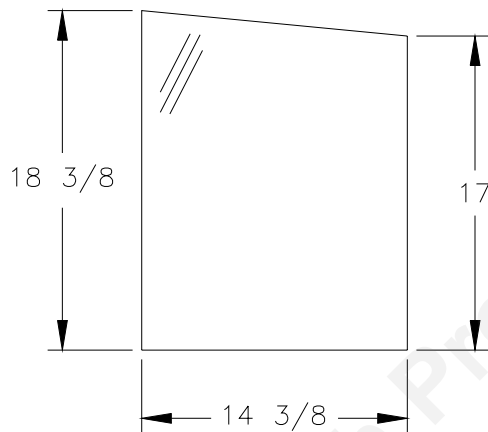
PART NUMBER IN-204

2 PIECES PER UNIT

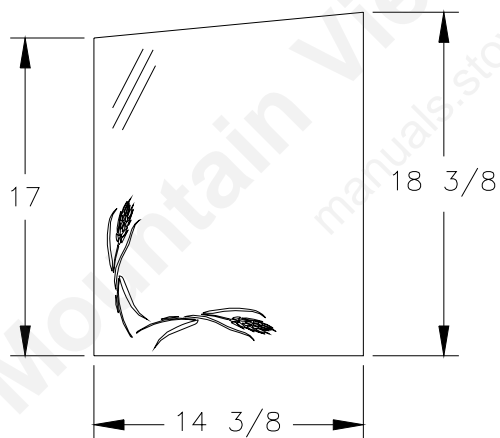


TOP VIEW

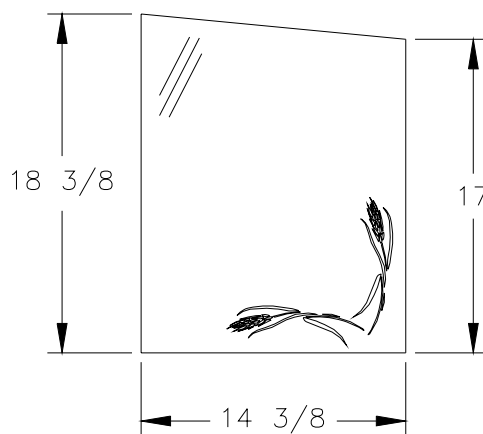
DOOR GLASS, PLAIN  
PART NUMBER PP-753  
2 PIECES PER UNIT



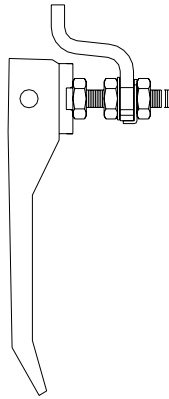
DOOR GLASS, ETCHED  
LEFT HAND  
PART NUMBER PP-754-1  
2 PIECES PER UNIT



DOOR GLASS, ETCHED  
RIGHT HAND  
PART NUMBER PP-754-2  
2 PIECES PER UNIT

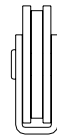
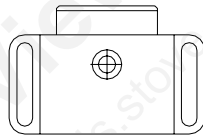


ASH PAN LATCH  
PART NUMBER PP-1192



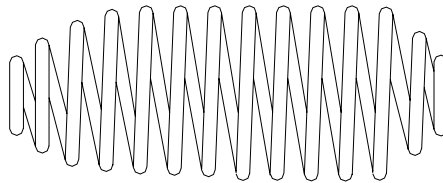
---

MAGNETIC CATCH  
FOR LOWER GRILL  
PART NUMBER PP-1222

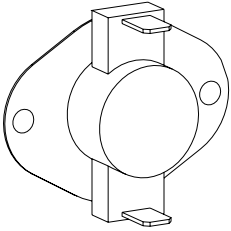


---

BRASS SPRING DOOR HANDLE  
2 PER UNIT  
PART NUMBER PP-71



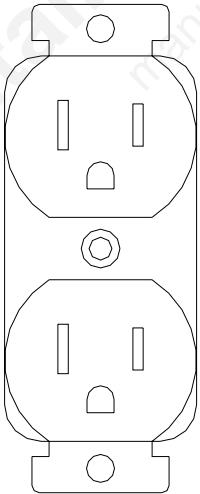
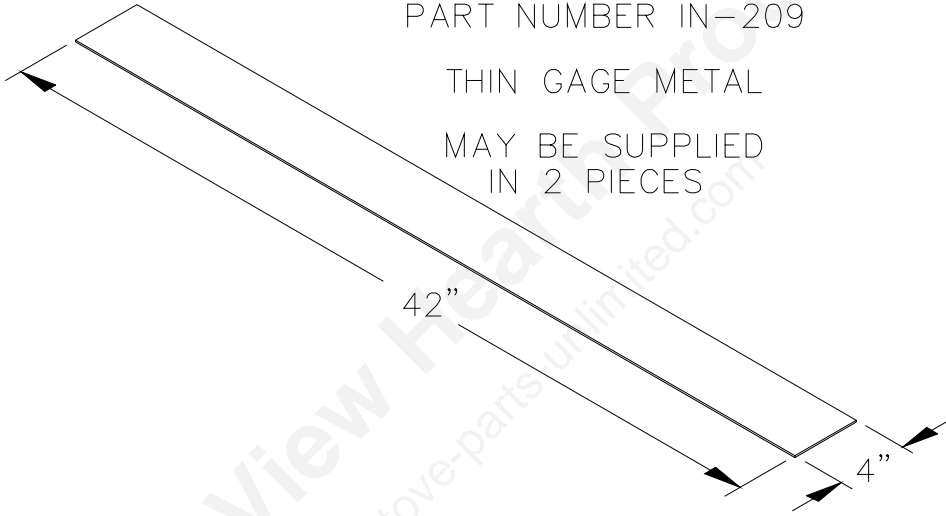
110° F. SNAP DISK  
PART NUMBER PP-12



---

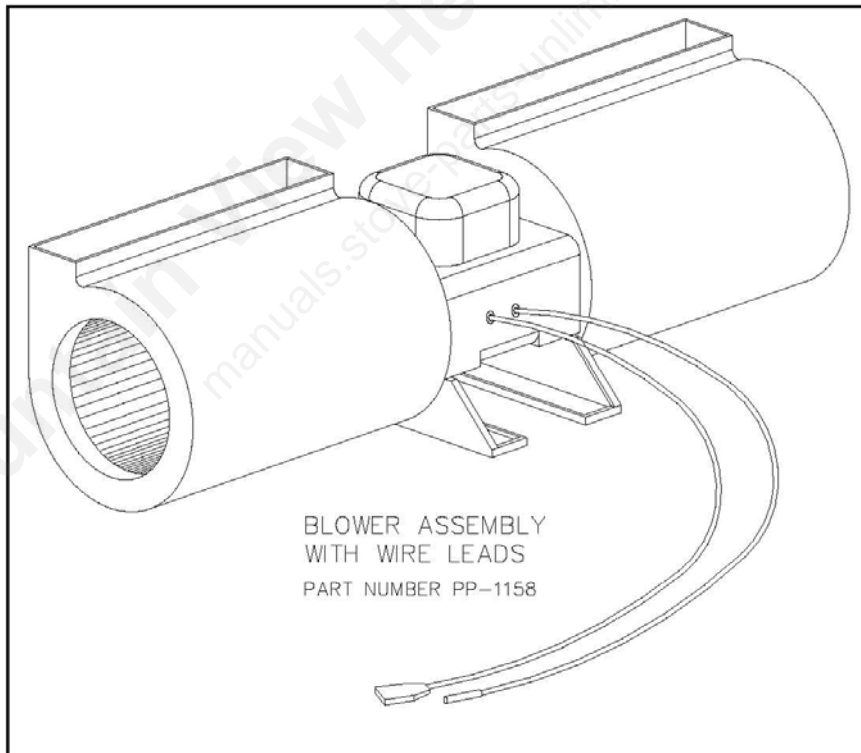
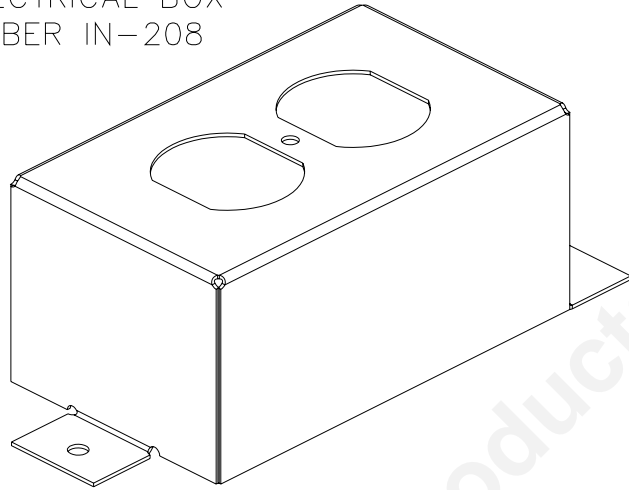
HEARTH SEALING STRIP  
PART NUMBER IN-209

THIN GAGE METAL  
MAY BE SUPPLIED  
IN 2 PIECES



15A DUPLEX ELECTRICAL RECEPTACLE  
PART NUMBER PP-1157

DUPLEX ELECTRICAL BOX  
PART NUMBER IN-208

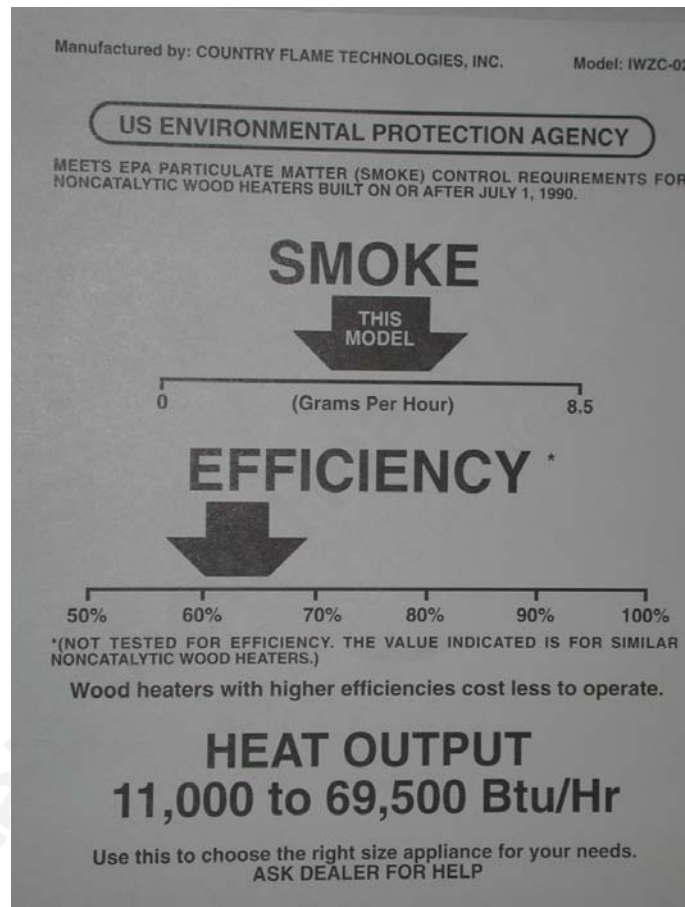


BLOWER ASSEMBLY  
WITH WIRE LEADS  
PART NUMBER PP-1158

## APPENDIX D

### WARNING LABELS

Below is a sample list of the warning labels attached to the Country Flame Inglenook Fireplace product. It is important that the Inglenook owner familiarizes themselves with these labels and observes or adheres to the warnings provided. If the label is informational, no action need be taken.



EPA Efficiency Card

**WARNING** RISK OF FIRE. MINIMUM 1" AIR SPACE CLEARANCE TO INSULATION AND BUILDING MATERIALS MUST BE MAINTAINED. PP-1204

WARNING LABEL: 1-inch air space required

**WARNING** RISK OF FIRE. MINIMUM 1/2" AIR SPACE CLEARANCE TO INSULATION AND BUILDING MATERIALS MUST BE MAINTAINED. PP-1205

WARNING LABEL: 1/2 inch air space required



WARNING LABEL: Electrical Hazard



WARNING LABEL: FIRE HAZARD IF INTERFERENCE WITH AIRFLOW

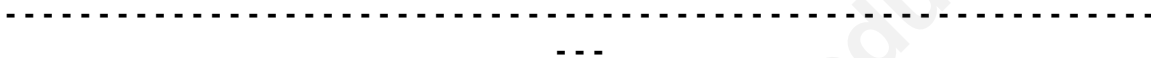
**WARNING:** This blower kit is for use only with the Inglenook Fireplace Model IWZC-02. Power must be disconnected to the Inglenook Fireplace before attempting installation of the blower kit.

WARNING LABEL: INCLUDED ON BLOWER FAN

**IMPORTANT:** Before commencing installation refer to the label located inside the firebox and the manufacture's installation instructions packaged together with this unit. Do not remove this sticker until the authority having jurisdiction has approved the installation.

LABEL: LOCAL AUTHORITY INSPECTION REQUIREMENT

Fold Here



**Place  
Stamp  
Here**

**Mountain View Hearth Products**  
manuals.stove-parts-unlimited.com

**Country Flame Technologies**

A Division of American Products, LLC

**900 George Street**

**Marshfield, MO 65706**

## REQUIRED WARRANTY INFORMATION

Name \_\_\_\_\_

Address \_\_\_\_\_ State: \_\_\_\_\_ Zip \_\_\_\_\_

Phone Number \_\_\_\_\_

Authorized Dealer \_\_\_\_\_

Date Purchased: \_\_\_\_\_

Model No# \_\_\_\_\_ Serial No# \_\_\_\_\_

Installed By: \_\_\_\_\_

Trained By: \_\_\_\_\_

**NOTE: Failure to return the above warranty information within 30 days from the date of purchase will make the Country Flame warranty null and void.**