

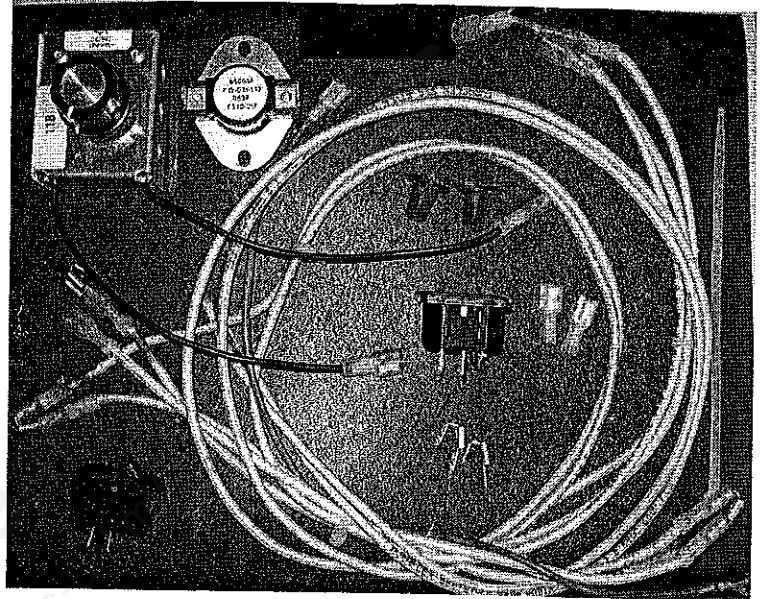
Electrical Replacement kit

Part #O2-5500

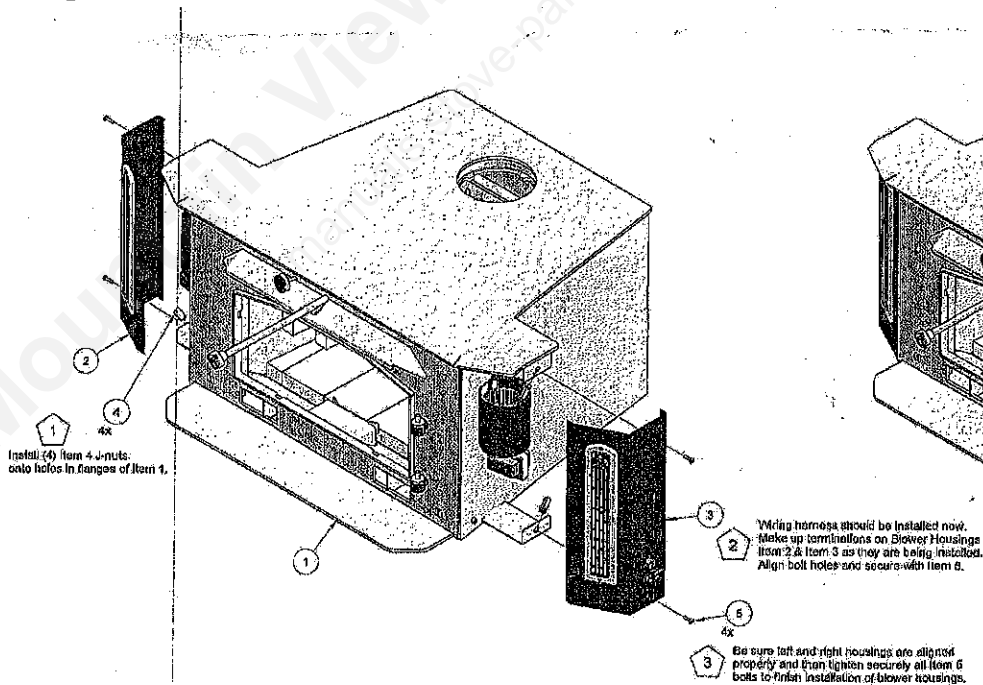
For Models O2 units

- Remove from box and verify all parts prior to installation. (blower motors ordered separate)

- (1) 58-0022-00 Toggle switch on/off
- (1) PP-350 Rheostat
- (1) MF3532 Power cord
- (1) MF3537 Thermostat 110 Deg auto reset
- (1) P003248 Cable ties
- (1) O2-2000 Wire harness assembly
- (1) PP-989 Power cord receptacle w/ 6 amp fast acting fuse
- (2) P003100-F Connector, female fully insulated
- (2) PP-1094 Connector-molex male 2 way
- (2) Conduit wire protector
- (1) Instruction sheet

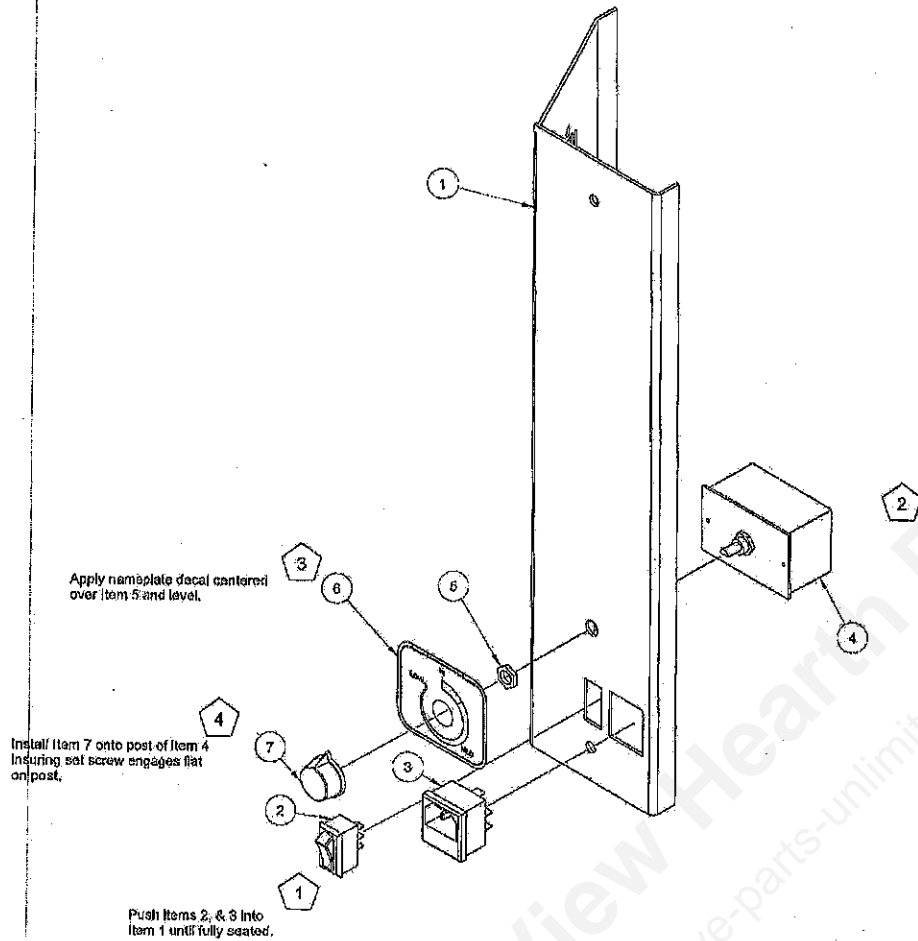


- Remove side panels:



- Install electrical components on right side panel as shown.

Parts List			
ITEM	QTY	PART NUMBER	DESCRIPTION
1	1	O2-P69	O2 Blower Housing, Right
2	1	68-0103-00	SWITCH SPDY ROCKER
3	1	PP-588	110 VOLT RECEPTACLE
4	1	PP-360	2000 RHEOSTAT
5	1	PP-361a	RHEOSTAT NUT (W/ RHEOSTAT)
6	1	PP-584	BBF Speed Control Name Plate
7	1	PP-16	ROUND RHEOSTAT KNOB, BLACK



2 Install item 4 from inside and secure with item 5. Insure wires exit the left side of rheostat when looking at the front. Flat on post should be on bottom when post is turned fully counter-clockwise. Also, inspect trim pot before installation and verify pot arrow is pointing at approximately the 7:30 position.

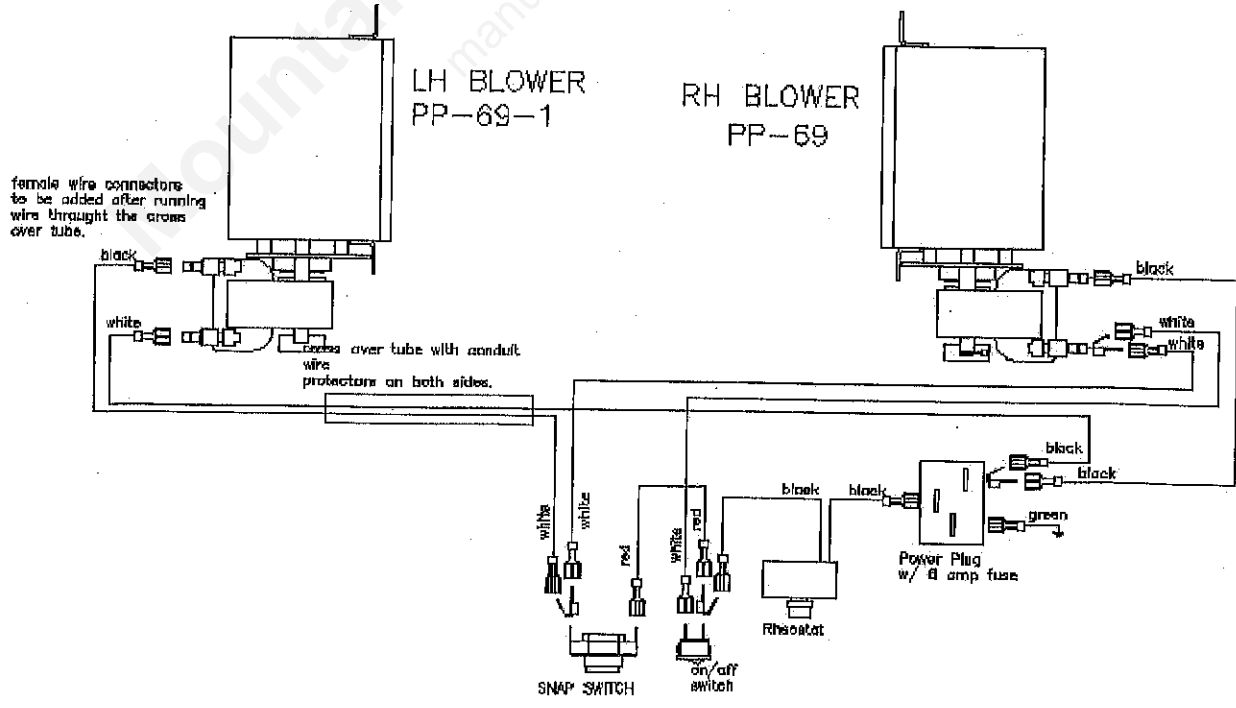
Apply nameplate facial centered over item 5 and level.

Install item 7 onto post of item 4 insuring set screw engages flat on post.

Push items 2, & 3 into item 1 until fully seated.



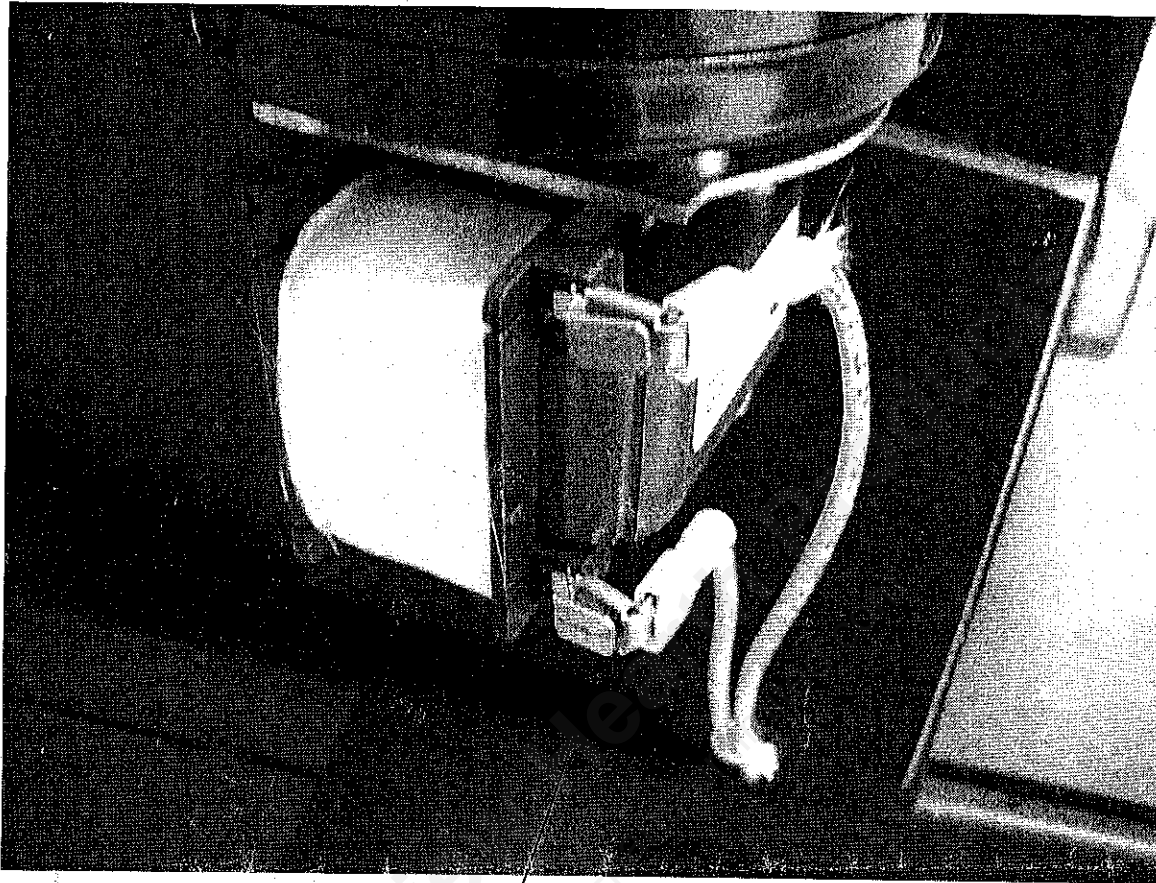
- Wire electrical components as shown see wiring schematic.



female wire connectors to be added after running wire through the cross over tube.

cross over tube with conduit wire protectors on both sides.

- When mounting the wires on the left hand blower use the (2) female end connector and (2) male 2 way connector as shown. Make sure the terminals are rotated as shown in picture to prevent blowers from shorting.



Make sure terminals are bent
and wires are routed as shown.