



Owner's Installation and Operation Manual

Model 1661E



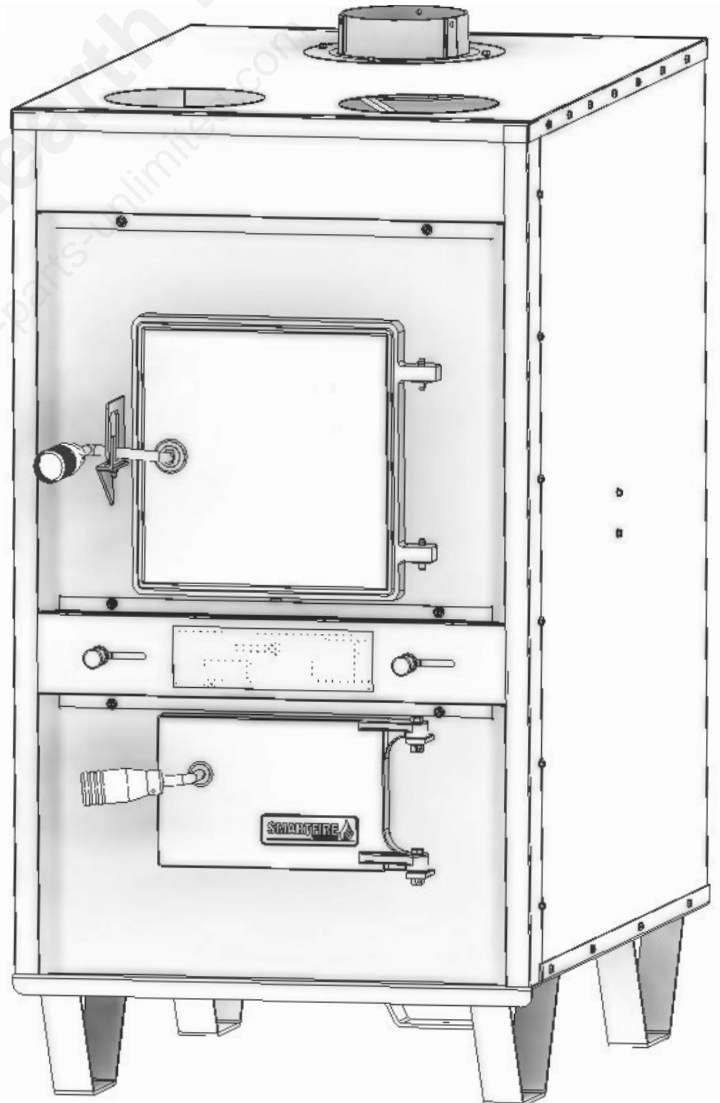
Report No: 0215WH080S.REV001

Conforms to UL 391 (R2014) and
Conforms to CAN/CSA-B366.1 (R2015)
with the Thermostatically Controlled
Damper kit installed

U.S. ENVIRONMENTAL PROTECTION AGENCY
Certified to comply with the 2017 particulate
emission standards. Not approved for sale after
May 15, 2020

Installation is to be preformed by a
qualified installer.
SAVE THESE INSTRUCTIONS

NOT FOR USE IN A MOBILE HOME



United States Stove Company
227 Industrial Park Rd.
South Pittsburg, TN 37380

853107-0301H

Specifications

CONGRATULATIONS!

You've purchased a heater from North America's oldest manufacturer of wood burning products.

By heating with wood you're helping to CONSERVE ENERGY!

Wood is our only Renewable Energy Resource. Please do your part to preserve our wood supply. Plant at least one tree each year. Future generations will thank you.

Combustible:	Wood
Flue Pipe Diameter:	6" (153cm)
Flue Pipe Type: (Standard Single Wall or Double Wall):	Black or Blued Steel 2100°F (650°C) Class "A"
Minimum Chimney Height:	12'
Maximum Log Length:	28"
Electrical:	120V, 60Hz, 3.4A per blower
Dimensions	
Combustion Chamber: Width x Depth:	17.4" X 28.3"
Volume: Cubic Feet:	6.27 cubic feet
Door Opening: Width x Height:	12.625" X 12.5"
Weight (lbs):	509lbs



0215WH080E

This manual describes the installation and operation of the Clayton, 1661E wood heater. This heater meets the 2016 U.S. Environmental Protection Agency's emission limits for wood heaters sold after May 15, 2016. Under specific EPA test conditions this heater has been shown to deliver heat at a rate of 33,438 to 77,456 BTU/hr. This heater achieved a particulate emissions rate of 0.305 lbs/mmBTU when tested to method CSA B415.1-10 (*and an overall efficiency of 61.9%.) The maximum overall heat output of this heater was tested to be 104,720 BTU/hr.

This wood heater has a manufacturer-set minimum low burn rate that must not be altered. It is against federal regulations to alter this setting or otherwise operate this wood heater in a manner inconsistent with operating instructions in this manual.

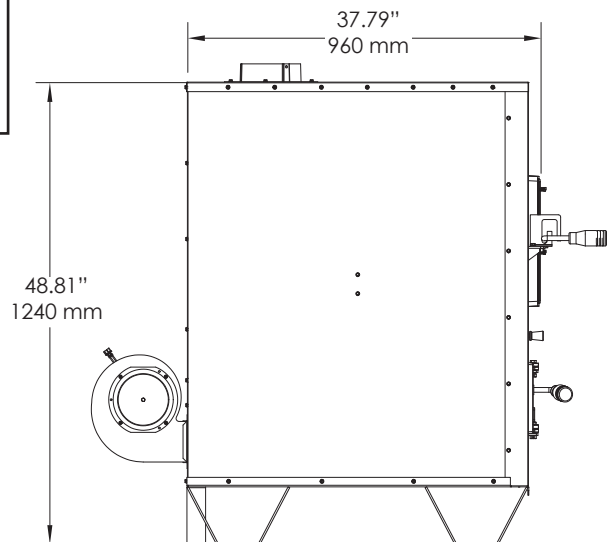
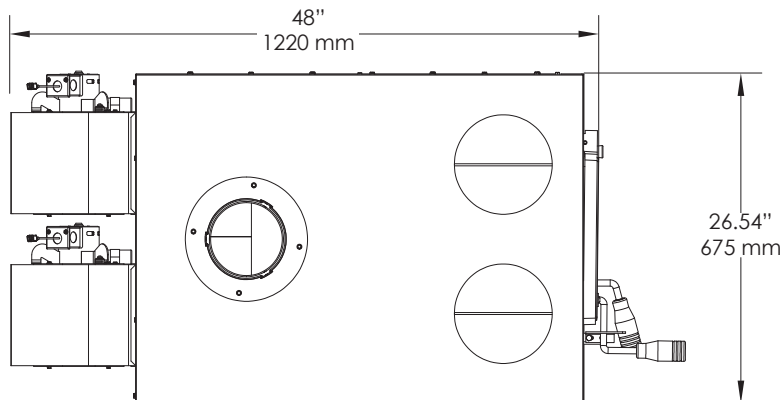
The operation of this wood heater in a manner inconsistent with the owner's manual will void your warranty and is also against federal regulations.

This heater is designed to burn natural wood only. Higher efficiencies and lower emissions generally result when burning air dried seasoned hardwoods, as compared to softwoods or to green or freshly cut hardwoods.

This wood heater needs periodic inspection and repair for proper operation. It is against federal regulations to operate this wood heater in a manner inconsistent with operating instructions in this manual.

CAUTION:

- Power source not controlled by furnace main disconnect.
- Respect all local and national codes when installing this unit.
- This unit is not to be connected to a chimney flue serving another appliance.
- This unit is designed to burn solid hardwood only.



Safety

- Do not operate with fuel loading or ash removal doors open.
- Do not connect this unit to a chimney flue serving another appliance.
- Danger: Risk of fire or explosion. Do not burn garbage, gasoline, naphtha, motor oil, or other inappropriate materials. Do not use chemicals or fluids to start the fire.
- Warning: Risk of fire. Do not operate with flue draft exceeding .060" water column/14.93 Pascals. Do not operate with fuel loading and ash removal doors open. Do not store fuel or other combustible materials within marked installation clearances. Inspect and clean flues and chimney regularly.
- Caution: Hot surfaces. Keep children away. Do not touch during operation.
- The heat exchanger, flue pipe, and chimney must be cleaned regularly to remove accumulated creosote and ash. Ensure that the heat exchanger, flue pipe, and chimney are cleaned at the end of the heating season to minimize corrosion during the summer months. The appliance, flue pipe, and chimney must be kept in good condition. These instructions also apply to a draft inducer if used. To prevent flame or smoke spillage, the slide baffle must be pulled out and the fuel loading door left cracked for 10 seconds prior to opening door fully. Load fuel carefully or damage may result. For Canadian installations - not to be connected to a ductwork that is still connected to another furnace.
- Hot while in operation. Keep children, clothing and furniture away. Contact may cause skin burns.
- Do not use chemicals or fluids to ignite the fire.
- Do not leave the furnace unattended when the door is slightly opened.
- Do not burn garbage, flammable fluid such as gasoline, naphtha or motor oil.
- Always close the door after the ignition.
- Consult your municipal building department or fire officials about permits, restrictions and installations requirements in your area.
- INSPECT FLUE PIPES, FLUE PIPE JOINTS, AND FLUE PIPE SEALS REGULARLY TO ENSURE THAT SMOKE AND FLUE GASES ARE NOT DRAWN INTO, AND CIRCULATED BY, THE AIR-CIRCULATION SYSTEM.
- CAUTION: CLEAN OUT OF THE HEAT EXCHANGER, FLUE PIPE CHIMNEY, AND DRAFT INDUCER, IF USED, IS ESPECIALLY IMPORTANT AT THE END OF THE HEATING SEASON TO MINIMIZE CORROSION DURING THE SUMMER MONTHS, CAUSED BY ACCUMULATED ASH.
- CAUTION: Do not operate furnace with power disconnected from the unit.

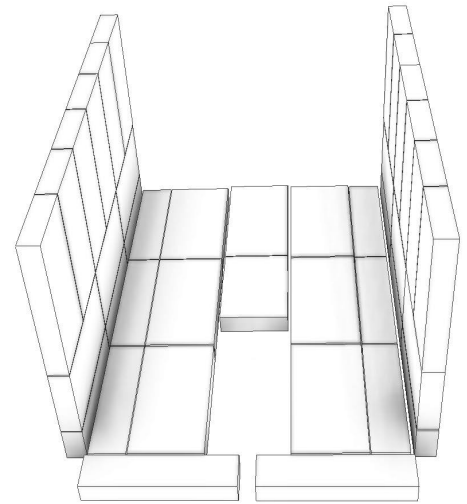
Unpacking And Preassemble

UNPACKING

1. Remove all packaging from the furnace.
2. Remove the supplied tools and parts from the furnace.

BRICK ALIGNMENT

Inspect for any damage. Ensure that the bricks are positioned correctly and not broken (see illustration for proper brick arrangement).



Proper Fire Brick Alignment

TOOLS AND MATERIALS NEEDED FOR INSTALLATION

The following is a list of tools and materials needed to install your furnace.

- 7/16" socket wrench.
- 5/16" socket (Best if using a power drill and a socket bit).
- Pair of pliers or channel-locks.
- Power drill with an 1/8" drill bit to install sheet metal screws into connector pipe..
- Sheet metal screws.
- Non-combustible floor protector as specified in this manual.
- All chimney and chimney connector components required for your particular venting installation..
- Electrical wiring tools and supplies.
- Ductwork for supply and return air.

Furnace Installation

INSTALLATION OPTIONS

The installation of this furnace includes supplying electrical power, return (fresh air) ductwork, and supply air ductwork. This furnace may be installed as a stand alone wood furnace.

See kit installation section in this manual to ensure proper assembly, installation and operation of your new furnace.

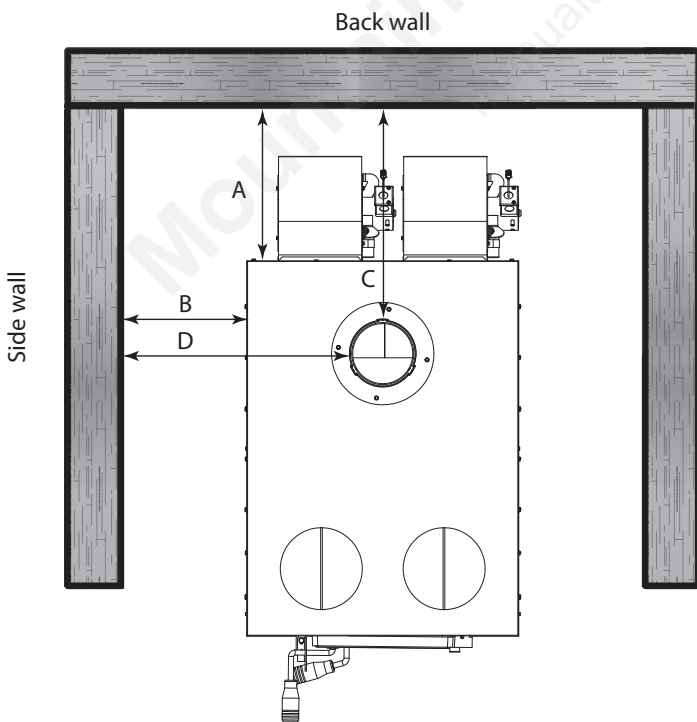
If installing in an area with a fan it should not be allowed to create negative pressure in the room where the furnace is installed.

LOCATING YOUR FURNACE (INSURE THAT THE REQUIRED MAINTENANCE CLEARANCES ARE MAINTAINED)

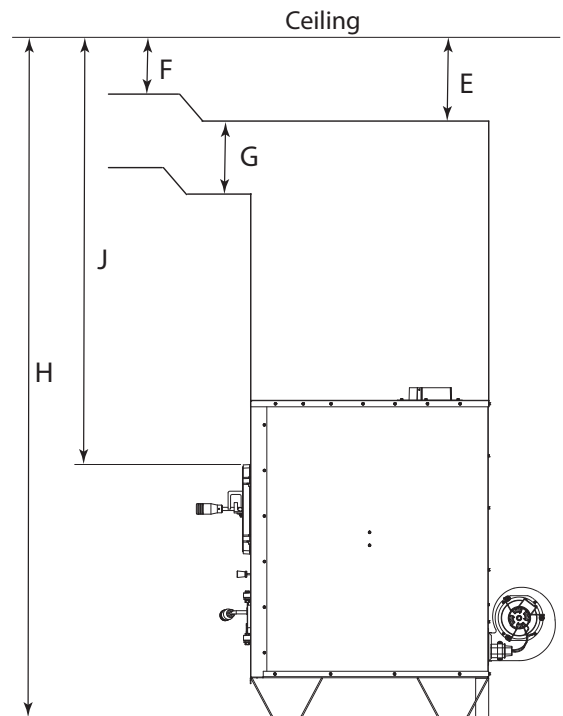
Your furnace must be installed as shown in this manual and in compliance with all local and national codes.

It is of the utmost importance that the clearances to combustibles be strictly adhered to during installation of the furnace. Refer to the table and diagrams below for minimum required clearances.

Dimension		Inches	mm
A	Backwall to Appliance	17	432
B	Sidewall to Appliance	12	305
C	Backwall to Flue	23	585
D	Sidewall to Flue	22.5	572
E	Supply Duct (first 6 feet)	6	153
F	Supply Duct (after first 6 feet)	1	26
G	Minimum Duct height	6	
H	Ceiling Height to Floor	84	2134
J	Top of Door to Ceiling	48	1220
*	Closest Point of Zero Clearance	2'	610



CLEARANCE TO COMBUSTIBLES



CLEARANCE TO COMBUSTIBLES

MAINTENANCE CLEARANCES

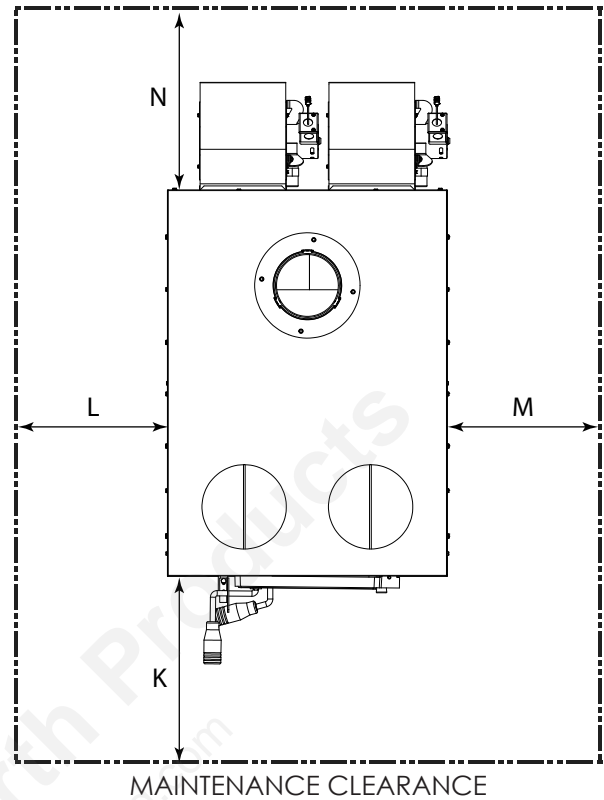
Your furnace has recommended minimum maintenance clearance requirements. These clearances insure that there is adequate room to preform maintenance and service your furnace. DO NOT store fuel within the specified clearances. The clearances will change depending on what kits are installed with your furnace. See the tables and diagram below to determine the clearances for your furnace.

Standard unit (no additional kits)

Dimension		Inch	mm
K	Maintenance Clearance (Front)	24	610
L	Maintenance Clearance (Left)	10	254
M	Maintenance Clearance (Right)	10	254
N	Maintenance Clearance (Rear)	29	737

Unit with Blower Kit

Dimension		Inch	mm
K	Maintenance Clearance (Front)	24	610
L	Maintenance Clearance (Left)	24	610
M	Maintenance Clearance (Right)	24	610
N	Maintenance Clearance (Rear)	36	915

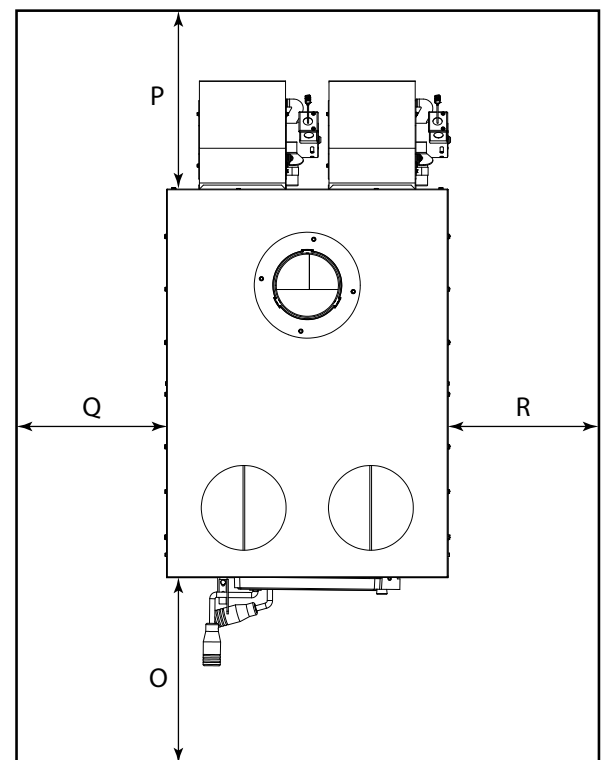


FLOOR PROTECTOR

The furnace must be placed on solid concrete, solid masonry, or when installed on a combustible floor, on a floor protector. The floor protector is required to provide heat, live ember, and ash protection and must be of a non-combustible, continuous solid surface to protect against infiltration of live embers and ash. If a floor pad is used, it should be listed to UL 1618 (type 1 ember protection) or equal. For UL Listed floor protectors, refer to manufacturers instructions for installation directions. The floor protector or non combustible floor must extend under the furnace and beyond each side as shown below.

Dimension	Inch	mm
O Front	16	407
P Rear	2	51
Q Left	8	204
R Right	8	204

Canadian installations require 18" (457mm)



Duct Work Installation

DUCTWORK INSTALLATION

We strongly recommend that the hot air ductwork be installed by a home heating specialist. If doing the installation yourself, before you decide which installation will best suit your needs, consult a qualified heating technician and follow his recommendations as to the safest and most efficient method of installation.

This furnace can be installed in two ways, as a stand alone unit, or in series with an existing furnace.

SUPPLY AIR (HOT AIR) PLENUM

The warm-air supply duct shall be constructed of metal in accordance with NFPA 90B, 2-1.1. The plenums installed to the furnace shall be constructed of metal in accordance with NFPA 90B, 2-1.3.

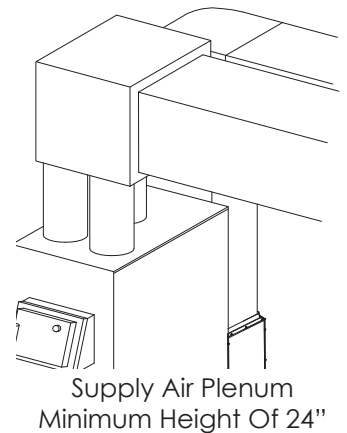
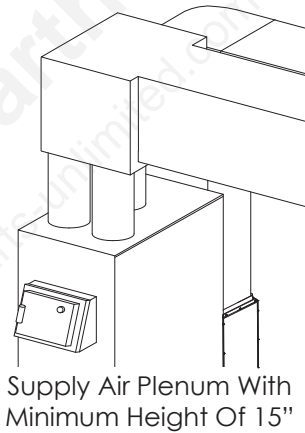
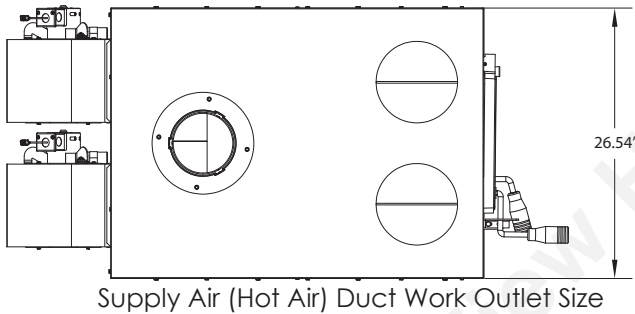
When installing this furnace the hot air plenum is to have a minimum height of 24" (610mm) if the top of the first vertical section is not flush with the top of the first horizontal section of ductwork. If the top of the plenum is flush with the top of the first horizontal section of ductwork then the minimum height is 15" (381mm).

RETURN AIR (FRESH AIR)

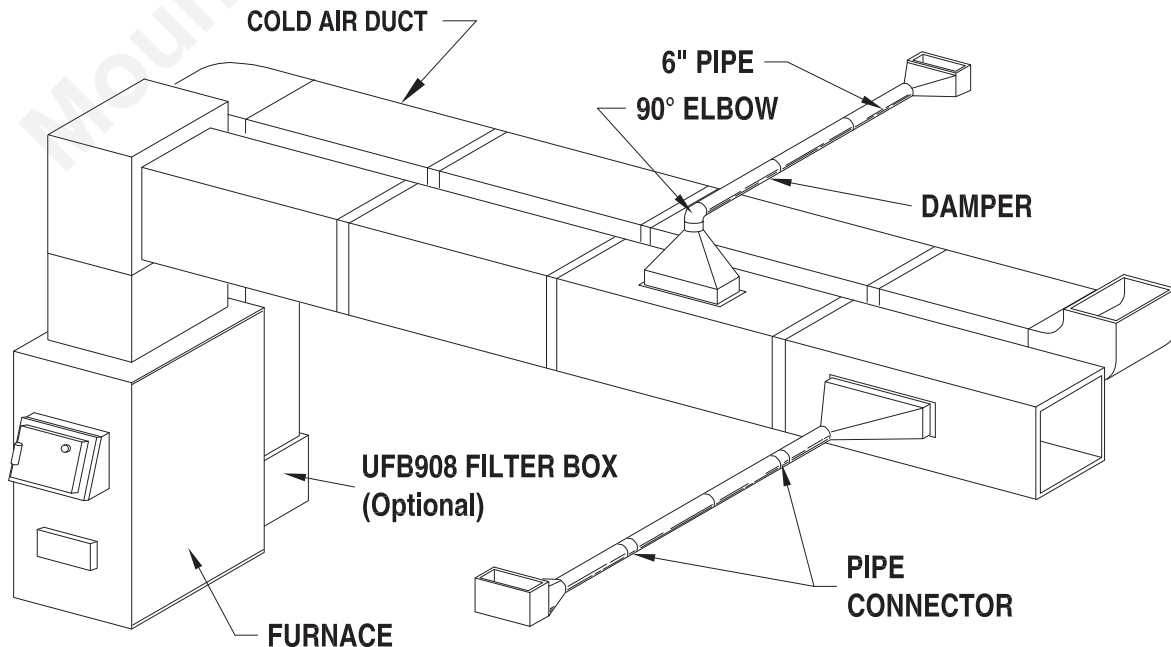
The return (fresh) air intake on the furnace is on the rear of the unit. The ductwork must be mechanically attached to the unit or blower kit box with sheet metal screws to ensure a proper operation.

STAND ALONE INSTALLATION

If installing this furnace as a stand alone unit, ensure all local codes and all instructions in this manual are followed, including clearance to combustibles, floor protector specifications and safety warnings.



Installation



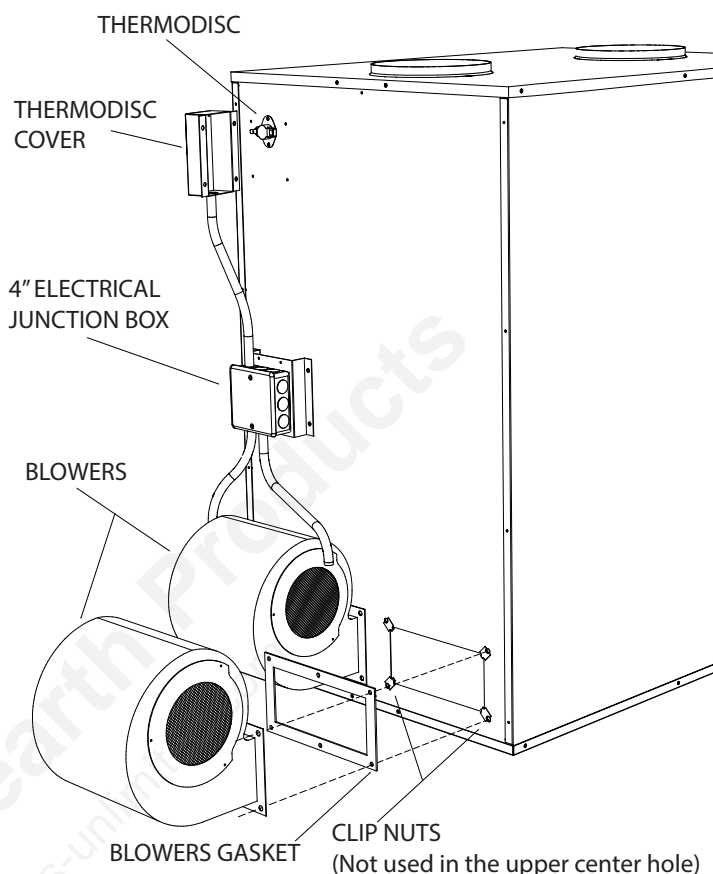
Accessory Installation

ASSEMBLY OF FURNACE

Your furnace requires the following items to be assembled or installed by the service person:

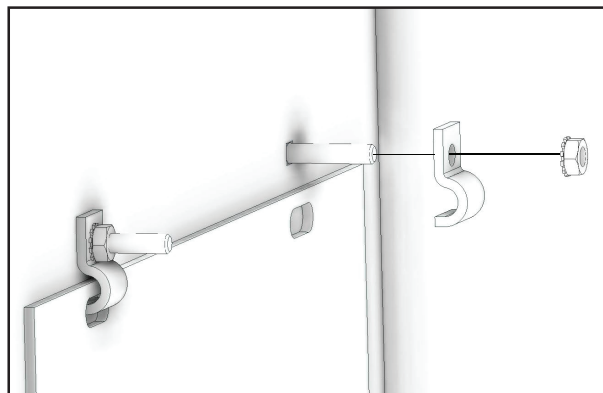
Blowers and Blower Controls
Electrical Connections

1. Remove all parts from inside the furnace and inspect for damage, including the firebrick as some breakage could occur during shipment.
2. Install the thermodisc on rear of furnace cabinet with the two screws provided. Mount the conduit assembly from the junction box to the thermostat bracket. Crimp the two female terminals to each of the wire leads. Plug the wires to the thermodisc. NOTE: It does not matter which of the two wires plugs to which terminal on the thermodisc.
3. Remove blowers from cartons. Remove junction box cover. Attach clip nuts as in figure shown. Install blower(s) and gasket(s with 1/4"-20 x 3/4" bolts as shown.
4. Wire right side blower first (See wiring diagram) and replace cover on junction box on blower.
5. Wire left blower same as above and replace cover.
6. Check operation of shaker grates with grate handle before operating furnace.



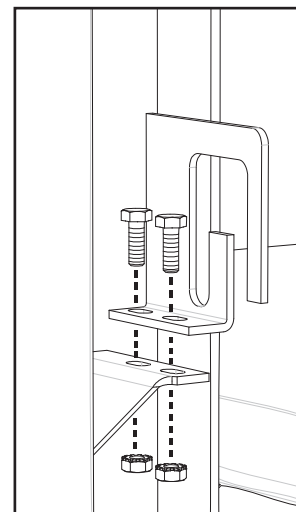
SMOKE CURTAIN

Using two 1/4-20 x 1-1/4" Carriage bolts, two smoke curtain clips, and two nuts, attach the smoke curtain in place above the fuel feed door as shown. After installation, the smoke curtain should swing freely back into the furnace.



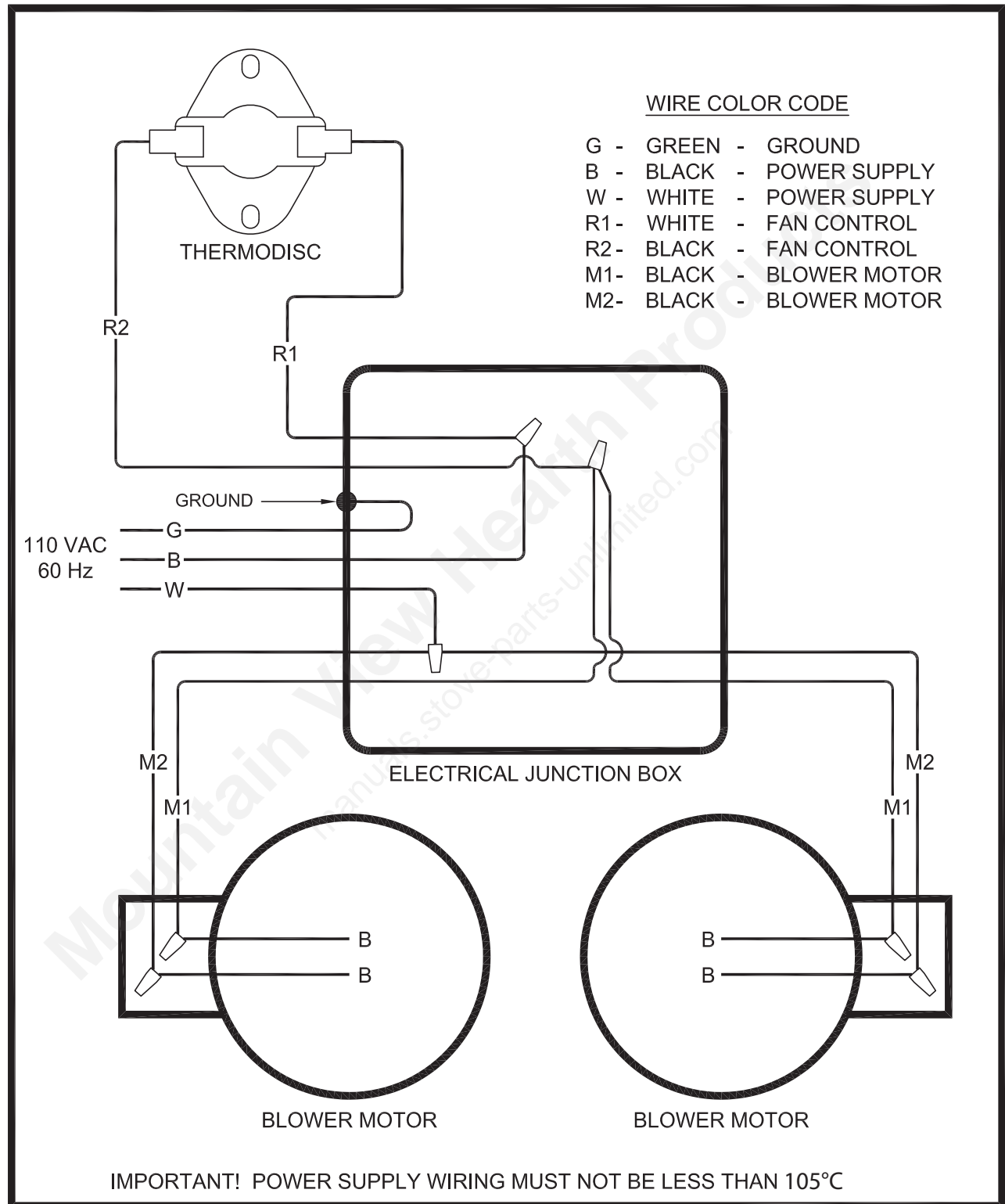
DOOR LATCH INSTALLATION

With two 1/4-20 x 3/4 hex bolts each, attach the door latch to the door latch mounting brackets on the left side of the door frames as illustrated. The slots in the brackets and latches are for door seal adjustment. Make the proper adjustments, then tighten the nuts. The door's gasket should be snug against the door frame on the furnace.



Electrical Installation

All electrical connections should be done by a qualified electrician
 It is recommended to connect the furnace to its own 15 amp 120 Volt circuit from the house power supply.



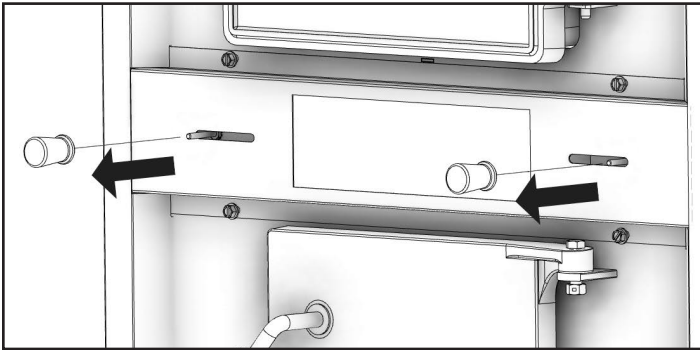
NOTE: Wire leads from the distribution blower are usually BOTH BLACK. Makes no difference which leads from the motor(s) connects to the corresponding leads coming out of the conduit.

Thermostatically Controlled Damper Installation

***CANADIAN RESIDENTS MUST USE THIS KIT FOR INSTALLATION.**

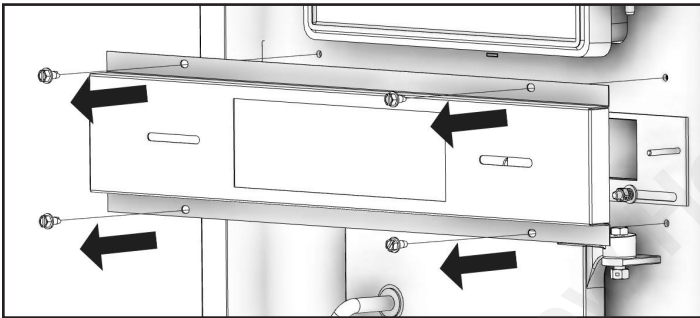
STEP 1

Unscrew and remove the two knobs.



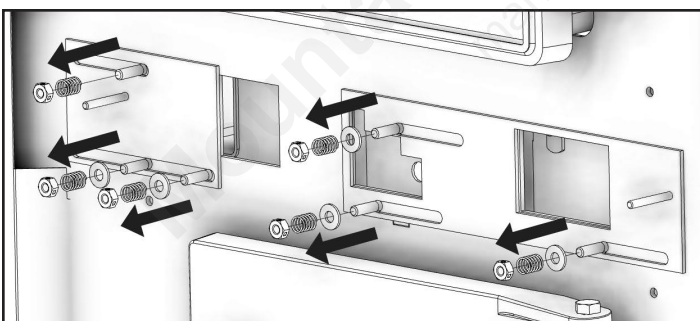
STEP 2

Remove the current damper weldment. NOTE: Keep the (4) four 1/4-20 x 1/2 self-tapping screws, they will be needed for the following steps.



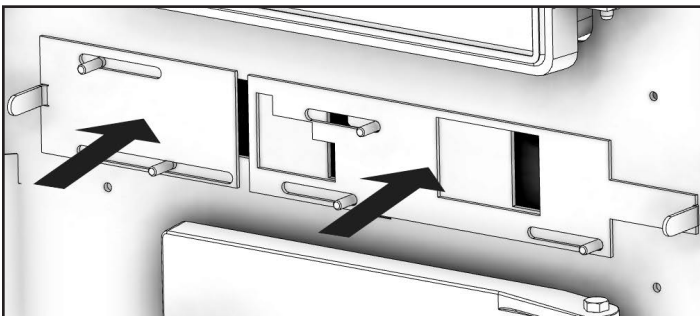
STEP 3

Remove the (6) six 1/4-20 lock nuts, springs, and washers and set aside. Remove the two damper plates. NOTE: Keep the (6) six 1/4-20 nuts, springs, and washers, they will be needed for the following steps.

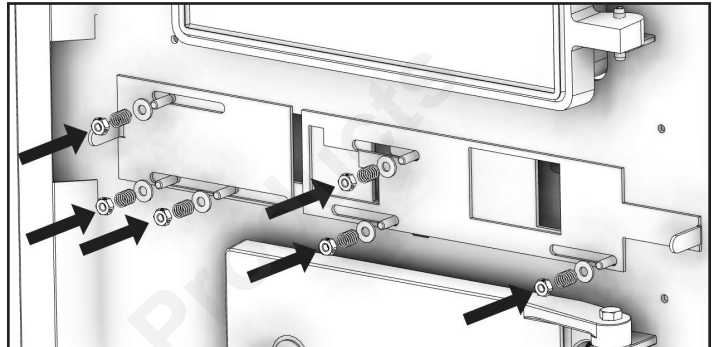


STEP 4

Slide the two new damper plates into place as shown.

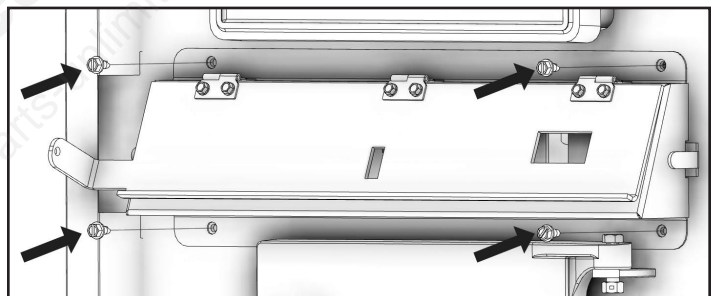


Use the previously removed (6) six 1/4-20 lock nuts, springs, and washers to attach the new air slides to your unit. **IMPORTANT:** The (6) six 1/4-20 lock nuts, springs, and washers must be installed in the same order as they were removed (first the washer then the spring and last the 1/4-20 lock nut as shown). DO NOT OVER TIGHTEN. The air slides must be allowed to move freely.



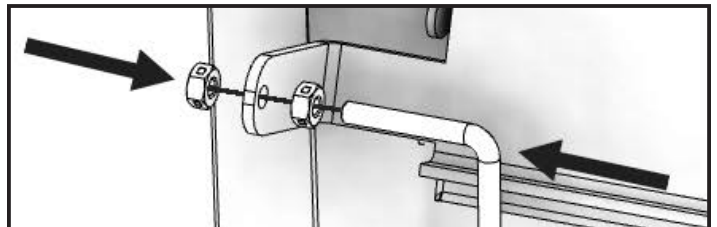
STEP 5

Use the previously removed (4) four 1/4-20 x 1/2 self-tapping screws to attach the new damper weldment to the unit as shown.

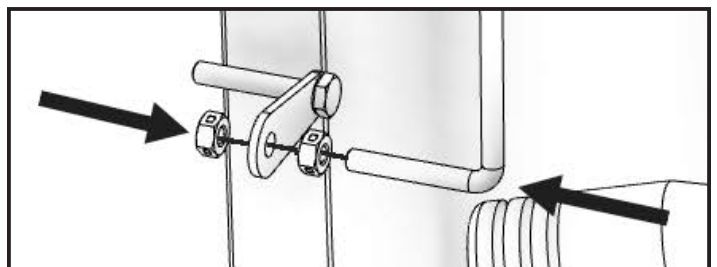


STEP 6

Attach the linkage rod to the damper weldment using (2) two 1/4-20 lock nuts as shown.

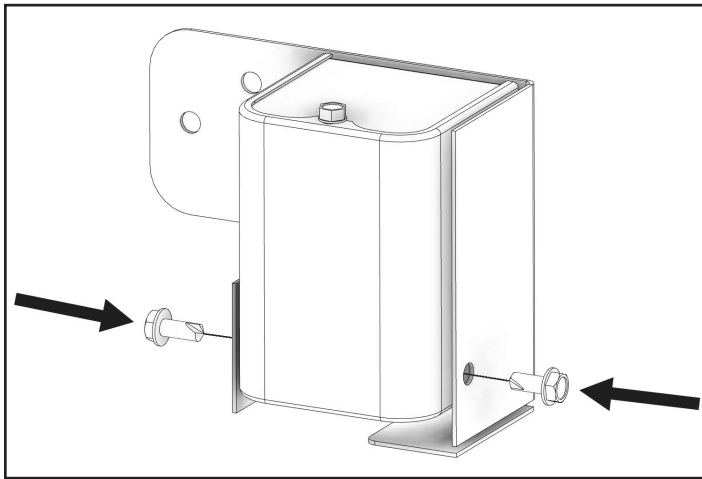


Attach the servo arm to the linkage rod using (2) two 1/4-20 lock nuts as shown.

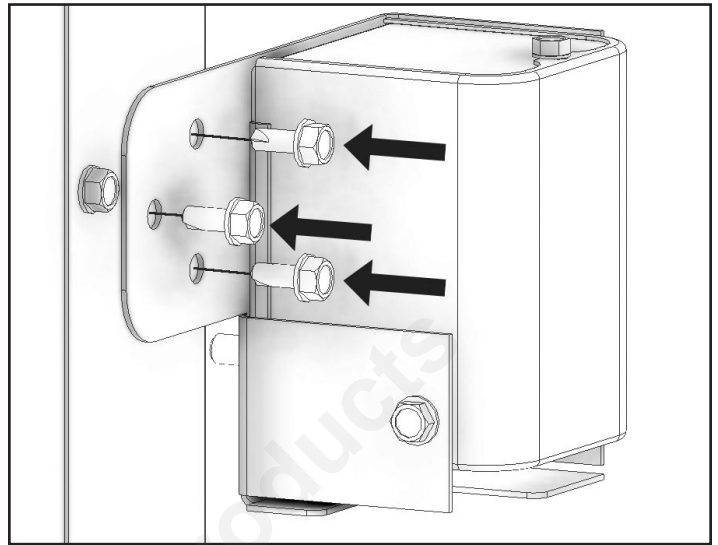


STEP 7

Attach the actuator to the servo bracket using (2) two #10 X .500 screws. Make sure the servo bracket is flush with the top of the actuator before securing.

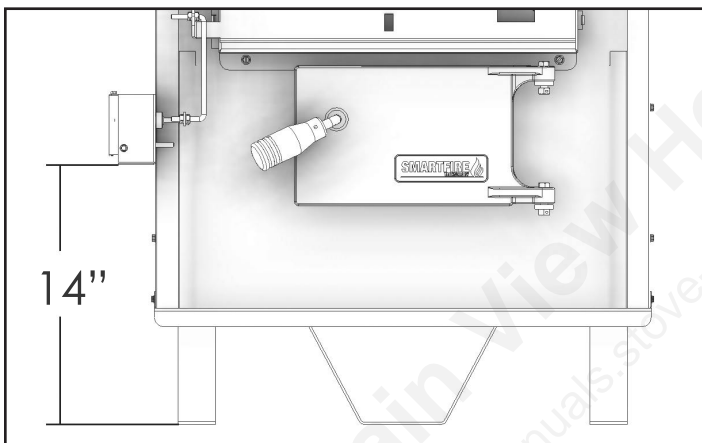


Use (3) three #10 x .500 screws to attach the actuator to the unit.



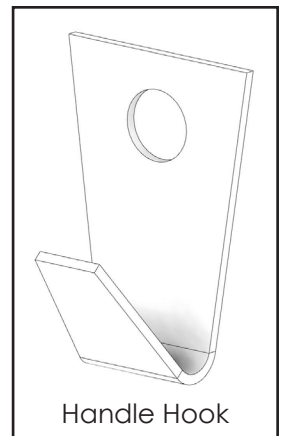
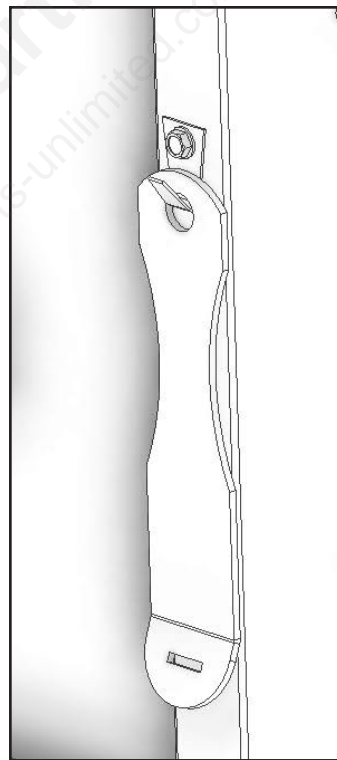
STEP 8

Measure 14" from the floor to the bottom of the servo bracket to locate the placement of the actuator.



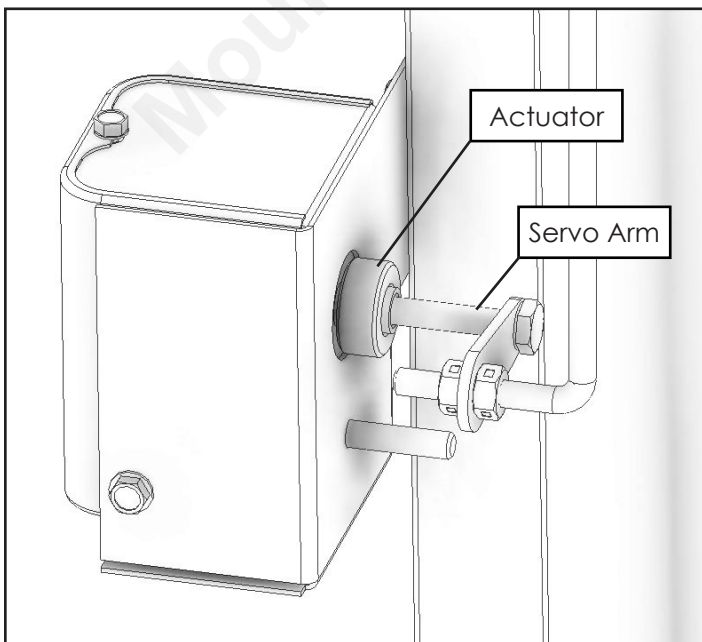
STEP 8

Use a self drilling screw to attach the handle hook on the lower right hand side of the front of the unit.



Handle Hook

NOTE: When locating the position of the actuator, insert the servo arm into the actuator as shown.



ATTENTION: Use the "Thermostatically Controlled Damper Wiring Diagram" to complete the installation.

Chimney Installation

CHIMNEY

Your wood furnace may be hooked up with a factory built or masonry chimney, matching the diameter of the exhaust. If you are using a factory built chimney, it must comply with UL 103 or CSA-B365 standard; therefore it must be a Type HT (2100°F). It is extremely important that it be installed according to the manufacturer's specifications.

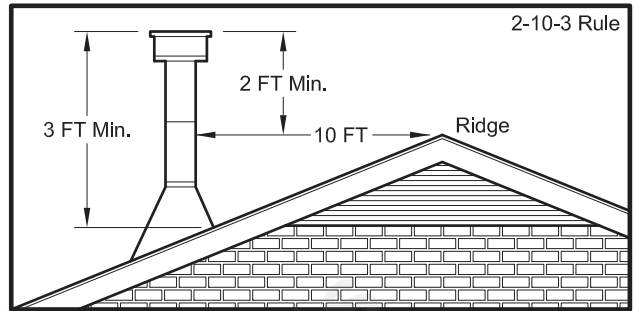
If you are using a masonry chimney, it is important that it be built in compliance with the specifications of the National Building Code. It must be lined with fire clay bricks, metal or clay tiles sealed together with fire cement. (Round flues are the most efficient).

The interior diameter of the chimney flue must be 6". A flue which is too small may cause draft problems, while a large flue favors rapid cooling of the gas, and hence the build-up of creosote and the risk of chimney fires. Note that it is the chimney and not the furnace which creates the draft effect; your furnace's performance is directly dependent on an adequate draft from your chimney.

Do not connect this unit to a chimney flue serving another appliance.

The following recommendations may be useful for the installation of your chimney:

- It must rise above the roof at least 3' (0.9m) from the uppermost point of contact.
- The exterior portion should be double or triple wall pipe to ensure proper draft.
- The chimney must exceed any part of the building or other obstruction within a 10' (3.04m) distance by a height of 2' (0.6m).
- Installation of an interior chimney is always preferable to an exterior chimney. The interior chimney will be hotter than an exterior chimney that is being cooled by the ambient air outside the house. Therefore the gas which circulates will cool slower, thus reducing the build-up of creosote and the risk of chimney fires.
- The draft caused by the tendency for hot air to rise will be increased with an interior chimney.
- Using a fire screen at the extremity of the chimney requires regular inspection in order to insure that it is not obstructed thus blocking the draft, and it should be cleaned when used regularly.



IMPORTANCE OF PROPER DRAFT

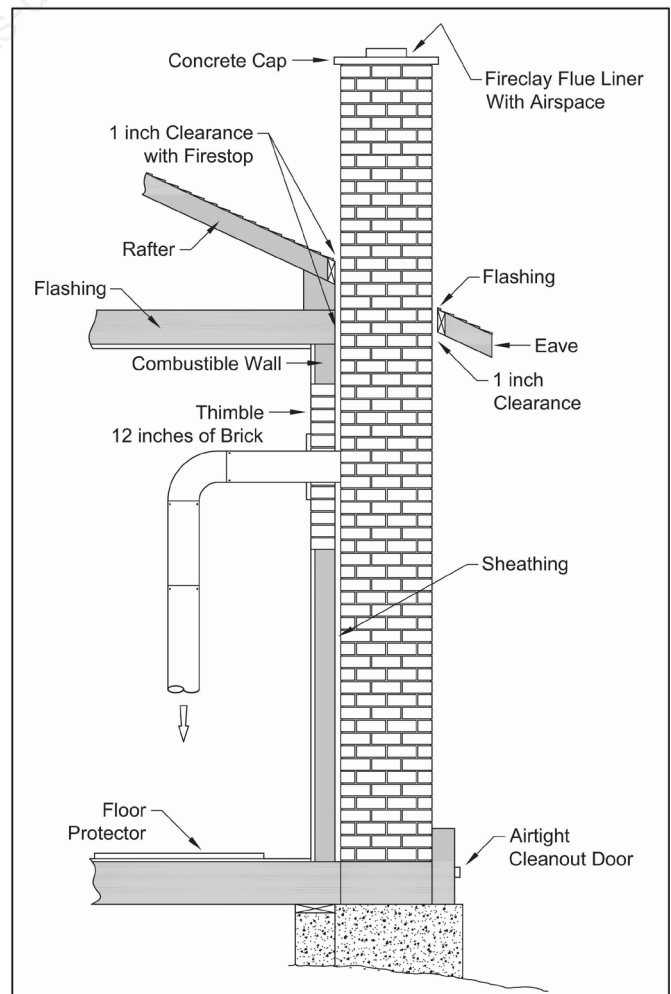
Draft is the force which moves air from the appliance up through the chimney. The amount of draft in your chimney depends on the length of the chimney, local geography, nearby obstructions and other factors. Too much draft may cause excessive temperatures in the appliance. Inadequate draft may cause back puffing into the room and 'plugging' of the chimney. Inadequate draft will cause the appliance to leak smoke into the room through appliance and chimney connector joints.

An uncontrollable burn or excessive temperature indicates excessive draft.

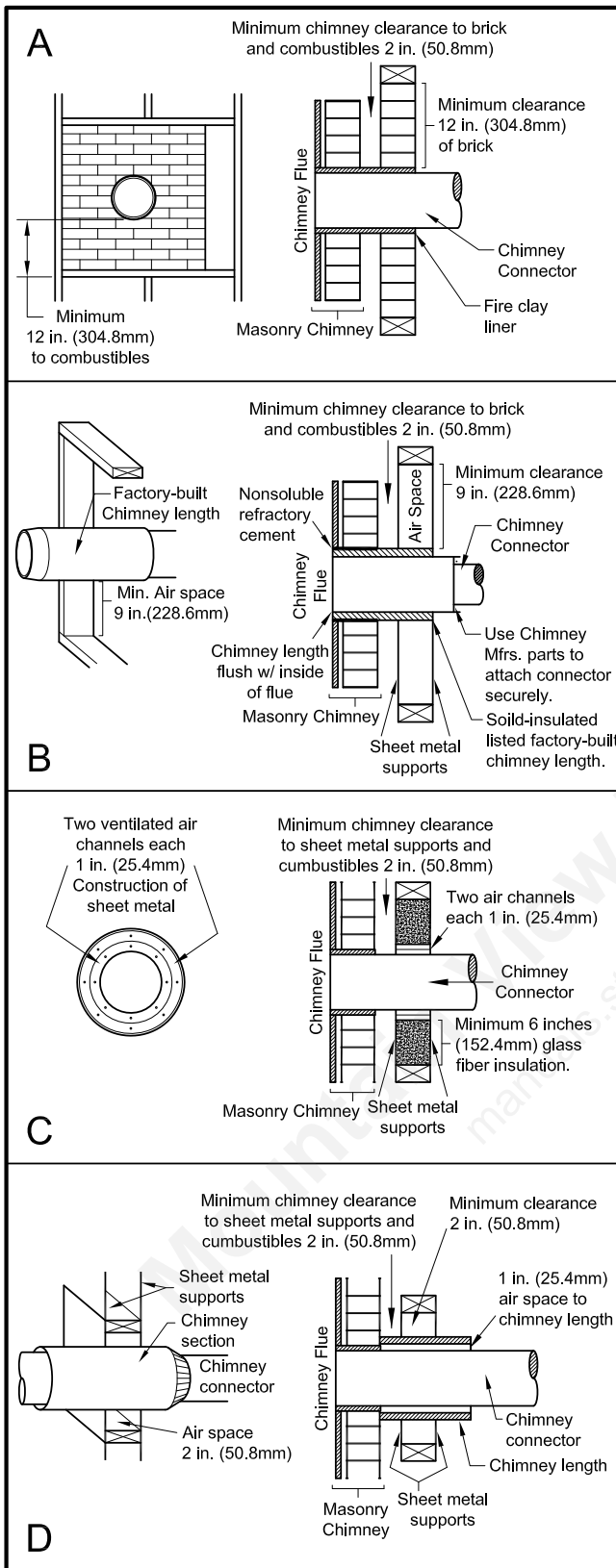
Take into account the chimney's location to insure it is not too close to neighbors or in a valley which may cause unhealthy or nuisance conditions.

MASONRY CHIMNEY

Ensure that a masonry chimney meets the minimum standards of the National Fire Protection Association (NFPA) by having it inspected by a professional. Make sure there are no cracks, loose mortar or other signs of deterioration and blockage. Have the chimney cleaned before the furnace is installed and operated. When connecting the furnace through a combustible wall to a masonry chimney, special methods are needed as explained in the "Combustible Wall Chimney Connector Pass-Throughs" Section.



COMBUSTIBLE WALL CHIMNEY CONNECTOR PASS-THROUGHS



Method A. 12" (304.8 mm) Clearance to Combustible Wall Member: Using a minimum thickness 3.5" (89 mm) brick and a 5/8" (15.9 mm) minimum wall thickness clay liner, construct a wall pass-through. The clay liner must conform to ASTM C315 (Standard Specification for Clay Fire Linings) or its equivalent. Keep a minimum of 12" (304.8 mm) of brick masonry between the clay liner and wall combustibles. The clay liner shall run from the brick masonry outer surface to the inner surface of the chimney flue liner but not past the inner surface. Firmly grout or cement the clay liner in place to the chimney flue liner.

Method B. 9" (228.6 mm) Clearance to Combustible Wall Member: Using a 6" (152.4 mm) inside diameter, listed, factory-built Solid-Pak chimney section with insulation of 1" (25.4 mm) or more, build a wall pass-through with a minimum 9" (228.6 mm) air space between the outer wall of the chimney length and wall combustibles. Use sheet metal supports fastened securely to wall surfaces on all sides, to maintain the 9" (228.6 mm) air space. When fastening supports to chimney length, do not penetrate the chimney liner (the inside wall of the Solid-Pak chimney). The inner end of the Solid-Pak chimney section shall be flush with the inside of the masonry chimney flue, and sealed with a non-water soluble refractory cement. Use this cement to also seal to the brick masonry penetration.

Method C. 6" (152.4 mm) Clearance to Combustible Wall Member: Starting with a minimum 24 gauge (.024" [.61 mm]) 6" (152.4 mm) metal chimney connector, and a minimum 24 gauge ventilated wall thimble which has two air channels of 1" (25.4 mm) each, construct a wall pass-through. There shall be a minimum 6" (152.4 mm) separation area containing fiberglass insulation, from the outer surface of the wall thimble to wall combustibles. Support the wall thimble, and cover its opening with a 24-gauge minimum sheet metal support. Maintain the 6" (152.4 mm) space. There should also be a support sized to fit and hold the metal chimney connector. See that the supports are fastened securely to wall surfaces on all sides. Make sure fasteners used to secure the metal chimney connector do not penetrate chimney flue liner.

Method D. 2" (50.8 mm) Clearance to Combustible Wall Member: Start with a solid-pak listed factory built chimney section at least 12" (304 mm) long, with insulation of 1" (25.4 mm) or more, and an inside diameter of 8" (2 inches [51 mm] larger than the 6" [152.4 mm] chimney connector). Use this as a pass-through for a minimum 24-gauge single wall steel chimney connector. Keep solid-pak section concentric with and spaced 1" (25.4 mm) off the chimney connector by way of sheet metal support plates at both ends of chimney section. Cover opening with and support chimney section on both sides with 24 gauge minimum sheet metal supports. See that the supports are fastened securely to wall surfaces on all sides. Make sure fasteners used to secure chimney flue do not penetrate flue liner.

NOTES:

Connectors to a masonry chimney, excepting method B, shall extend in one continuous section through the wall pass-through system and the chimney wall, to but not past the inner flue liner face. A chimney connector shall not pass through an attic or roof space, closet or similar concealed space, or a floor, or ceiling.

CHIMNEY CONNECTOR

Your chimney connector and chimney must have a 6" diameter. If this is not the case, we recommend you contact your dealer in order to insure there will be no problem with the draft.

The furnace pipe must be made of aluminized or cold roll steel with a minimum thickness of 0.021" or 0.53 mm. It is strictly forbidden to use galvanized steel.

Your connector should be assembled in such a way that the male section (crimped end) of the pipe faces down. Attach each of the sections to one another with three equidistant metal screws. Seal the joints with furnace cement.

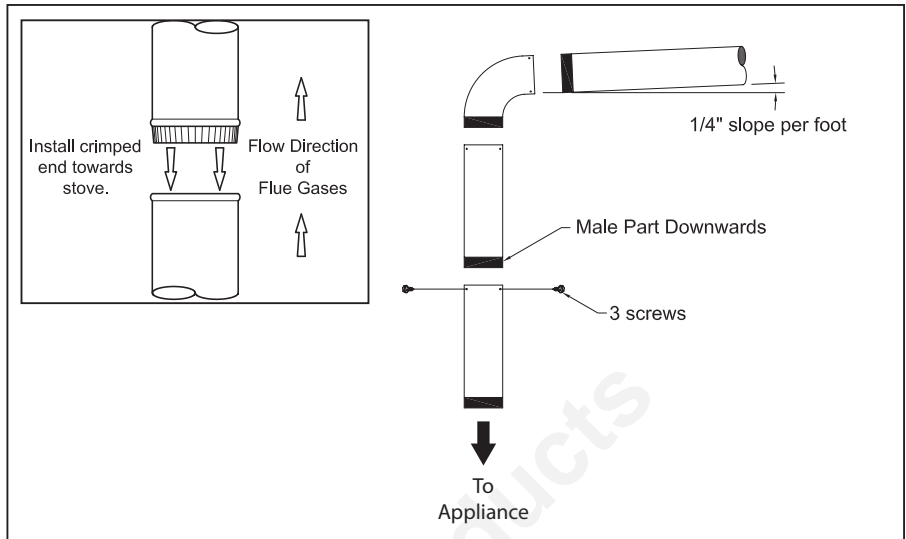
The pipe must be short and straight. All sections installed horizontally must slope at least 1/4 inch per foot, with the upper end of the section toward the chimney. Any installation with a horizontal run of furnace pipe must conform to NFPA 211. You may contact NFPA (National Fire Protection Association) and request the latest edition of the NFPA Standard 211.

To insure a good draft, the total length of the furnace pipe should never exceed 8' to 10' (2.4m to 3.04 m). (Except for cases of vertical installation, cathedral-roof style where the smoke exhaust system can be much longer and connected without problem to the chimney at the ceiling of the room).

There should never be more than two 90 degrees elbows in the smoke exhaust system.

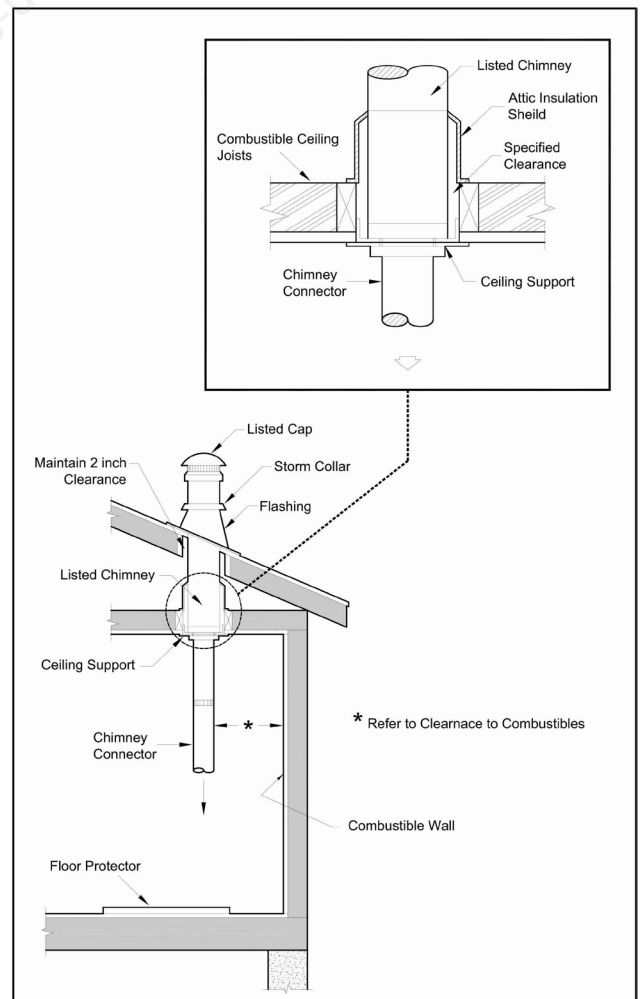
Installation of a "barometric draft stabilizer" (fireplace register) on a smoke exhaust system is prohibited.

Furthermore, installation of a draft damper is not recommended. With a controlled combustion wood furnaces the draft is regulated upon intake of the combustion air in the furnace and not at the exhaust.



FACTORY BUILT CHIMNEY

When a metal prefabricated chimney is used, the manufacturer's installation instructions must be followed. You must also purchase (from the same manufacturer) and install the ceiling support package or wall pass-through and "T" section package, firestops (where needed), insulation shield, roof flashing, chimney cap, etc. Maintain proper clearance to the structure as recommended by the manufacturer. The chimney must be the required height above the roof or other obstructions for safety and proper draft operation.



Wood Heat Utilization

The top down method of fire building is recommended for this appliance. After making sure that the stove air intake controls are fully open (open all three air controls to their maximum setting). Place the largest pieces of wood on the bottom, laid in parallel and close together. Smaller pieces are placed in a second layer, crossways to the first. A third layer of still smaller pieces is laid crossways to the second, this time with some spaces between. Then a fourth layer of loose, small kindling and twisted newspaper sheets tops off the pile.

Higher efficiencies and lower emissions generally result when burning air dried seasoned hardwoods, as compared to softwoods or to green or freshly cut hardwoods.

DO NOT BURN:

1. Garbage;
2. Lawn clippings or yard waste;
3. Materials containing rubber, including tires;
4. Materials containing plastic;
5. Waste petroleum products, paints or paint thinners, or asphalt products;
6. Materials containing asbestos;
7. Construction or demolition debris;
8. Railroad ties or pressure-treated wood;
9. Manure or animal remains;
10. Salt water driftwood or other previously salt water saturated materials;
11. Unseasoned wood; or
12. Paper products, cardboard, plywood, or particleboard. The prohibition against burning these materials does not prohibit the use of fire starters made from paper, cardboard, saw dust, wax and similar substances for the purpose of starting a fire in an affected wood heater.

Burning these materials may result in release of toxic fumes or render the heater ineffective and cause smoke.

Dead wood lying on the forest floor should be considered wet, and requires full seasoning time. Standing dead wood can usually be considered to be about 2/3 seasoned. Splitting and stacking wood before it is stored accelerates drying time. Storing wood on an elevated surface from the ground and under a cover or covered area from rain or snow also accelerates drying time. A good indicator if wood is ready to burn is to check the piece ends. If there are cracks radiating in all directions from the center then the wood should be dry enough to burn. If your wood sizzles in the fire, even though the surface is dry, it may not be fully cured, and should be seasoned longer.

Do not burn manufactured logs made of wax impregnated sawdust or logs with any chemical additives. Manufactured logs made of 100% compressed sawdust can be burned, but be careful burning too much of these logs at the same time. Start with one manufactured log and see how the stove reacts. You can increase the number of logs burned at a time to making sure the temperature never rises higher than 475 °F (246 °C) on a magnetic thermometer for installation on single wall stove pipes or 900 °F (482 °C) on a probe thermometer for installation on double wall stove pipe.



The thermometer should be placed about 18" (457 mm) above the stove. Higher temperatures can lead to overheat and damage your stove.

Your furnace was designed to burn wood only; no other materials should be burned. Waste and other flammable materials should not be burned in your furnace. **DO NOT USE CHEMICALS OR FLUIDS TO START THE FIRE. DO NOT BURN GARBAGE, GASOLINE, NAPHTHA, ENGINE OIL, OR OTHER INAPPROPRIATE MATERIALS.** Any type of wood may be used in your furnace, but specific varieties have better energy yields than others. Please consult the following table in order to make the best possible choice.

TYPE	WEIGHT (LBS. CU. FT., DRY)	PER CORD	EFFICIENCY RANKING	SPLITS	MILLIONS BTU's/ CORD
Hickory	63	4500	1.0	Well	31.5
White Oak	48	4100	.9	Fair	28.6
Red Oak	46	3900	.8	Fair	27.4
Beech	45	3800	.7	Hard	26.8
Sugar Maple	44	3700	.6	Fair	26.2
Black Oak	43	3700	.6	Fair	25.6
Ash	42	3600	.5	Well	25.0
Yellow Birch	40	3400	.4	Hard	23.8
Red Maple	38	3200	.3	Fair	22.6
Paper Birch	37	3100	.3	Easy	22.1
Elm/ Sycamore	34	2900	.2	Very Difficult	20.1
Red Spruce	29	1800	.1	Easy	16.1

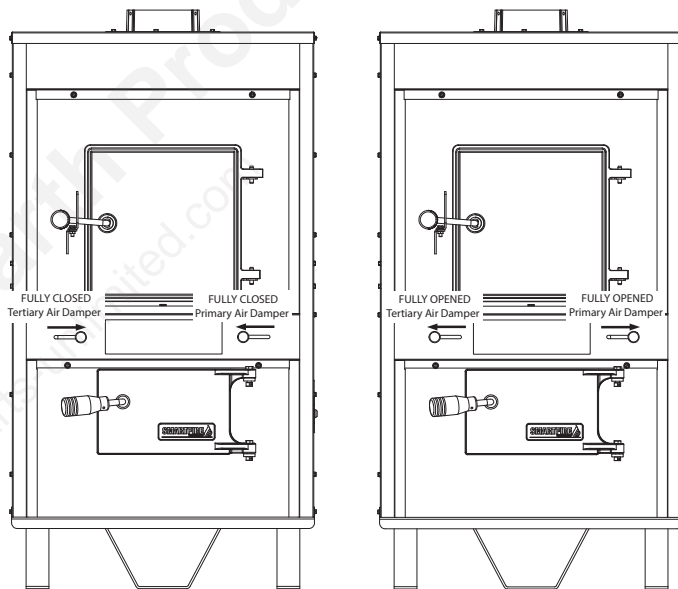
It is EXTREMELY IMPORTANT that you use DRY WOOD only. The wood should have dried for 9 to 15 months, such that the humidity content (in weight) is reduced below 20% of the weight of the log. It is very important to keep in mind that even if the wood has been cut for one, two or even more years, it is not necessarily dry, if it has been stored in poor conditions. Under extreme conditions it may rot, instead of drying. This point cannot be over stressed; the vast majority of the problems related to the operation of a wood furnace is caused by the fact that the wood used was too damp or has dried in poor conditions.

These problems can be:

- Ignition problems
- Creosote build-up causing chimney fires
- Low energy yield
- Blackened windows
- Incomplete log combustion

Smaller pieces of wood will dry faster. All logs exceeding 6" in diameter should be split. The wood should not be stored directly on the ground. Air should circulate through the cord. A 24" to 48" air space should be left between each row of logs, which should be placed in the sunniest location possible. The upper layer of wood should be protected from the elements but not the sides.

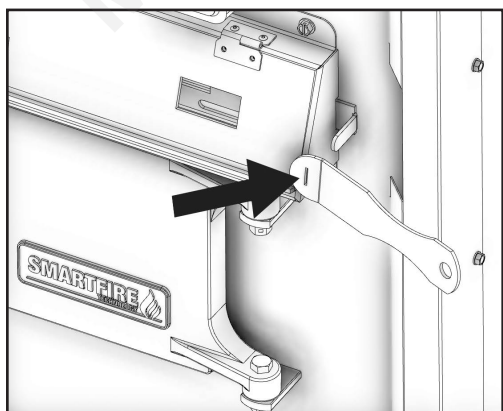
AIR CONTROL		
	Low Burn Rate	High Burn Rate
Primary Air Damper	Fully Closed	Fully Open
Tertiary Air Damper	Fully Closed	Fully Open



LOW BURN RATE SETTING

MAXIMUM BURN RATE SETTING

ALTERNATE AIR CONTROL		
	Low Burn Rate	High Burn Rate
Primary Air Damper	Fully Closed	Fully Open
Tertiary Air Damper	Fully Closed	Fully Open



*Always use the provided separable handle to adjust the primary and tertiary air dampers.



Low Burn Rate & Setting



Max Burn Rate & Setting

Operation

NOTICE: To minimize the risk of smoke spillage when opening the door with a fire in your furnace, crack the door open no more than 1" and wait for at least 10 seconds before opening it more to allow pressure stabilization inside the furnace.

TESTING YOUR WOOD

When the furnace is thoroughly warmed, place one piece of split wood (about five inches in diameter) parallel to the door on the bed of red embers.

Adjust all air controls to their maximum settings and close the door. If ignition of the piece is accomplished within 90 seconds from the time it was placed in the furnace, your wood is correctly dried. If ignition takes longer, your wood is damp.

If your wood hisses and water or vapor escapes at the ends of the piece, your wood is soaked or freshly cut. Do not use this wood in your furnace. Large amounts of creosote could be deposited in your chimney, creating potential conditions for a chimney fire.

THE FIRST FIRES

The fresh paint on your furnace needs to be cured to preserve its quality. Once the fuel charge is properly ignited, only burn small fires in your furnace for the first four hours of operation. Never open the air control's more than necessary to achieve a medium burn rate.

Make sure that there's enough air circulation while curing the furnace. DO NOT connect your furnace to the duct work during this curing process. The odors could be smelled during the 3 or 4 first fires. Never start your furnace outside. You will not be able to see if you are over heating.

LIGHTING YOUR WOOD FURNACE

1. Make sure that your furnace has been installed as per the instructions outlined in this manual and the proper power is supplied to it.

2. Open the fuel loading door.

Note: If there already is a bed of hot/glowing coals in the combustion chamber, proceed directly to the Preheating step.

3. Place several pieces of small dry kindling in the front of the combustion chamber directly on the firebricks.

4. Lay a few twists of newspaper over the kindling.

5. Lay more dry kindling (crisscrossing) on top of the previous layers and possibly a few more twists of newspaper if needed.

6. Light the lowest newspaper in the stack.

Note: In some draft situation you may be required to leave the door cracked no more than ½" only till a fire is established in the stack

No chemical product should be used to light the fire.

PREHEATING YOUR WOOD FURNACE

1. Once the kindling is burning well or the glowing coal bed is stirred up, lay 2 or 3 pieces of well-seasoned cordwood down so that the flame from the kindling fire can circulate around the logs and close the door.

Note: You may need to add more kindling to help ignite the cordwood.

2. Before loading your furnace fully you will want a well-established fire in the combustion chamber. This typically takes 15-20 minutes.

HEATING WITH YOUR WOOD FURNACE

1. Spread the fire and coals evenly towards the center of the combustion chamber before loading your furnace fully or adding more wood.

2. Avoid overfilling the combustion chamber. Air must be allowed to circulate freely through the upper portion of the combustion chamber for the stove to perform best. Typically this would mean not to load your furnace more than ¾ of the way up the door opening.

CAUTION: Never alter the "damper slide" or the adjustment range to increase firing for any reason. Doing so could result in heater damage and will void your warranty.

OPERATION

Controlled combustion is the most efficient technique for wood heating because it enables you to select the type of combustion you want for each given situation. The wood will burn slowly if the wood furnace air intake control's are adjusted to reduce the oxygen supply in the combustion chamber to a minimum. On the other hand, wood will burn quickly if the air control's are adjusted to admit a larger quantity of oxygen in the combustion chamber. Real operating conditions may give very different results than those obtained during testing according to the species of wood used, its moisture content, the size and density of the pieces, the length of the chimney, altitude and outside temperature.

WARNINGS:

- Never over fire your furnace. If any part of the furnace starts to glow red, over firing is happening. Readjust the air intake control at a lower setting.
- The installation of a log cradle or grates is not recommended in your wood furnace. Build fire directly on firebrick.
- Never put wood above the firebrick lining of the firebox.

RELOADING

Once you have obtained a good bed of embers, you should reload the unit. In order to do so, open the air controls to maximum a few seconds prior to opening the furnace's door. Then proceed by opening the door very slowly. Then bring the red embers to the front of the furnace and reload the unit. For optimal operation of your wood furnace, we recommend you to operate it with a wood load approximately equivalent to the 3/4 of the height of fire bricks. It is important to note that wood combustion consumes ambient oxygen in the room. In the case of negative pressure, it is a good idea to allow fresh air in the room, either by opening a window slightly or by installing a fresh air intake system on an outside wall.

Creosote - Formation and Need for Removal - When wood is burned slowly, it produces tar and other organic vapors, which combine with expelled moisture to form creosote. The creosote vapors condense in the relatively cool chimney flue of a slow-burning fire. As a result, creosote residue accumulates on the flue lining. When ignited, this creosote makes an extremely hot fire. The chimney connector and chimney should be inspected at least twice monthly during the heating season to determine if a creosote build-up has occurred. If creosote has accumulated (3mm or more), it should be removed to reduce the risk of a chimney fire.

We strongly recommend that you install a magnetic thermometer on your smoke exhaust pipe, approximately 18" above the furnace. This thermometer will indicate the temperature of your gas exhaust fumes within the smoke exhaust system. The ideal temperature for these gases is somewhere between 275°F and 500°F. Below these temperatures, the build-up of creosote is promoted. Above 500 degrees, heat is wasted since a too large quantity is lost into the atmosphere.

OPERATION AFTER LOSS OF ELECTRICAL POWER

This unit is not intended to be operated during power outage situations. If there is a power outage while the unit is being fired, do not add more wood, close all air controls to there minimum setting, and remove the air filter. Do not fire the unit again until power has been restored.

TO PREVENT CREOSOTE BUILD UP

Always burn dry wood. This allows clean burns and higher chimney temperatures, therefore less creosote deposit. Leave the air control full open for about 5 min. every time you reload the furnace to bring it back to proper operating temperatures. The secondary combustion can only take place if the firebox is hot enough.

Always check for creosote deposit once every two months and have your chimney cleaned at least once a year. If a chimney or creosote fire occurs, close all dampers immediately. Wait for the fire to go out and the heater to cool, then inspect the chimney for damage. If no damage results, perform a chimney cleaning to ensure there is no more creosote deposits remaining in the chimney.

ASH DISPOSAL

Whenever ashes get 3 to 4 inches deep in your firebox or ash pan, and when the fire has burned down and cooled, remove excess ashes. Leave an ash bed approximately 1 inch deep on the firebox bottom to help maintain a hot charcoal bed.

Ashes should be placed in a metal container with a tight-fitting lid. The closed container of ashes should be placed on a noncombustible floor or on the ground, away from all combustible materials, pending final disposal. The ashes should be retained in the closed container until all cinders have thoroughly cooled.

If there is a soot or creosote fire:

- Establish a routine for the storage of fuel, care for the appliance and firing techniques.
- Check daily for creosote buildup until experience shows how often cleaning is necessary.

- Be aware that the hotter the fire, the less creosote is deposited, and that weekly cleaning can be necessary in mild weather, even though monthly cleaning can be enough in the coldest months.
- Have a clearly understood plan to handle a chimney fire.

CAUTIONS:

- Ashes could contain hot embers even after two days without operating the furnace.
- The ash pan can become very hot. Wear gloves to prevent injury.
- Never burn the furnace with the ash trap open. This would result in over firing the furnace. Damage to the furnace and even house fire may result.

TAMPER WARNING

This wood heater has a manufacturer-set minimum low burn rate that must not be altered. It is against federal regulations to alter this setting or otherwise operate this wood heater in a manner inconsistent with operating instructions in this manual.

VISIBLE SMOKE

The amount of visible smoke being produced can be an effective method of determining how efficiently the combustion process is taking place at the given settings. Visible smoke consist of unburned fuel and moisture leaving your stove. Learn to adjust the air settings of your specific unit to produce the smallest amount of visible smoke. Wood that has not been seasoned properly and has a high wood moisture content will produce excess visible smoke and burn poorly. Use the included moisture meter to insure your wood has a 20% or less moisture content.

EFFICIENCY

Efficiencies can be based on either the lower heating value (LHV) or the higher heating value (HHV) of the fuel. The lower heating value is when water leaves the combustion process as a vapor, in the case of wood stoves the moisture in the wood being burned leaves the stove as a vapor. The higher heating value is when water leaves the combustion process completely condensed. In the case of wood stoves this would assume the exhaust gases are room temperature when leaving the system, and therefore calculations using this heating value consider the heat going up the chimney as lost energy. Therefore, efficiency calculated using the lower heating value of wood will be higher than efficiency calculated using the higher heating value. In the United States all wood stove efficiencies should be calculated using the higher heating value. The best way to achieve optimum efficiencies is to learn the burn characteristic of you appliance and burn well-seasoned wood. Higher burn rates are not always the best heating burn rates; after a good fire is established a lower burn rate may be a better option for efficient heating. A lower burn rate slows the flow of usable heat out of the home through the chimney, and it also consumes less wood.

SMOKE AND CO MONITORS

Burning wood naturally produces smoke and carbon monoxide(CO) emissions. CO is a poisonous gas when exposed to elevated concentrations for extended periods of time. While the modern combustion systems in heaters drastically reduce the amount of CO emitted out the chimney, exposure to the gases in closed or confined areas can be dangerous. Make sure you stove gaskets and chimney joints are in good working order and sealing properly to ensure unintended exposure. It is recommended that you use both smoke and CO monitors in areas having the potential to generate CO.

OVER FIRING

Attempts to achieve heat output rates that exceed heater design specifications can result in permanent damage to the heater

OPERATIONAL TIPS

- Get the appliance hot and establish a good coal bed before adjusting to a low burn rate (this may take 30 minutes or more depending on your wood), for an optimal low burn rate, once there is a well established fire in the furnace, close the damper on the door, and the rear pilot air damper completely, and open the secondary air damper to its maximum setting
- Use smaller pieces of wood during start-up and a high burn rate to increase the stove temperature
- Be considerate of the environment and only burn dry wood
- Burn small, intense fires instead of large, slow burning fires when possible
- Learn your appliance's operating characteristics to obtain optimum performance
- Burning unseasoned wet wood only hurts your stoves efficiency and leads to accelerated creosote buildup in your chimney.

Maintenance

Your wood furnace is a high efficiency furnace and therefore requires little maintenance. It is important to perform a visual inspection of the furnace every time it is emptied, in order to insure that no parts have been damaged, in which case repairs must be performed immediately. Inspect and clean the chimney and connector pipe periodically for creosote buildup or obstructions.

GASKET

It is recommended that you change the door gasket (which makes your furnace door air tight) once a year, in order to insure good control over the combustion, maximum efficiency and security. To change the door gasket, simply remove the damaged one. Carefully clean the available gasket groove, apply a high temperature silicone sold for this purpose and install the new gasket. You may light up your furnace again approximately 24 hours after having completed this operation. This unit's feed door uses a 3/4" diameter rope gasket. This unit's ash door uses a 1/2" diameter rope gasket.

PAINT

Only clean your furnace with a dry soft cloth that will not harm the paint finish. If the paint becomes scratched or damaged, it is possible to give your wood furnace a brand new look by repainting it with a 1200° F heat resistant paint. For this purpose, simply scrub the surface to be repainted with fine sand paper, clean it properly, and apply thin coats (2) of paint successively.

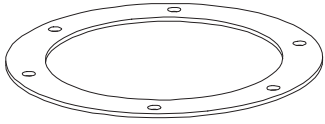
AIR TUBES

The air tubes assembled in this unit are designed to provide an accurate mix of secondary air to insure the highest efficiency. Any damage or deterioration of these tubes may reduce the efficiency of combustion. The air tubes are held in position by either screws or snap pins. Locate these to either side of the tube and remove to allow the tube to be removed and replaced.

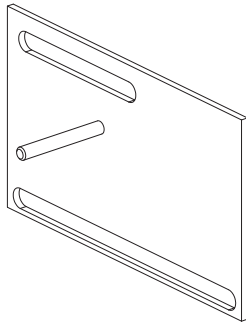
WARNING: Never operate the furnace without a gasket or with a broken one. Damage to the furnace or even house fire may result.

ATTENTION: This wood heater needs periodic inspection and repair for proper operation. It is against federal regulations to operate this wood heater in a manner inconsistent with operating instructions in this manual.

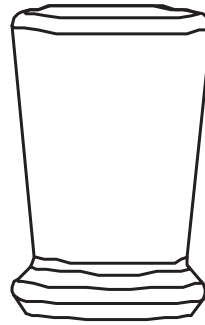
Replacement Parts



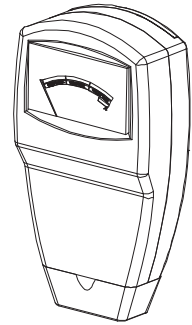
Gasket, Flue Collar	
88032	1



Air Slide, Small	
610624	1



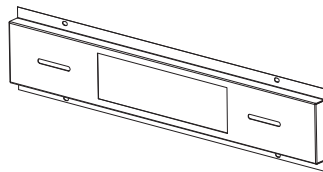
Wooden Knob Assembly	
892767	2



Moisture Meter	
80697	1



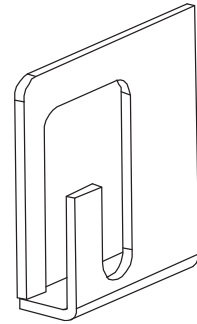
Left Shoulder	
28053	1



Weldment, Air Inlet	
610582	1



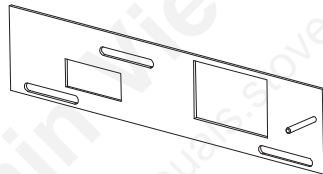
Ring, Flue Collar	
22761	1



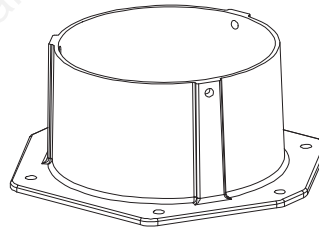
Door Latch (C000022)	
23786	1



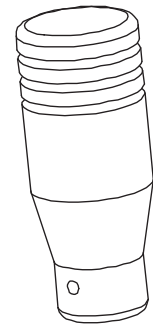
Right Shoulder	
28054	1



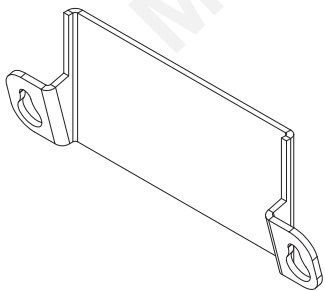
Damper Slide	
610583	1



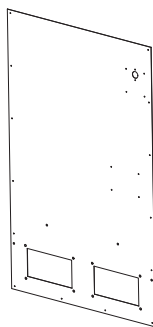
Flue Collar, 6" C.I.	
40246	1



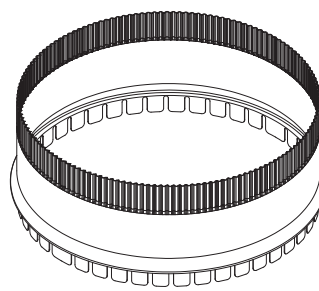
Wooden Handle	
W3100-02	2



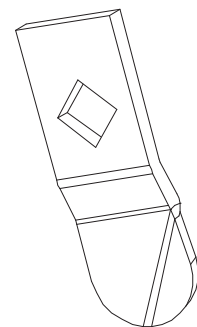
Port Support	
28027	1



Back Panel	
28067	1



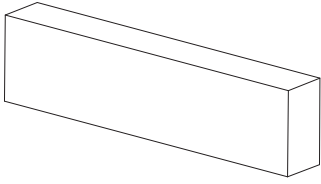
Stub Collar 8"	
891214	1



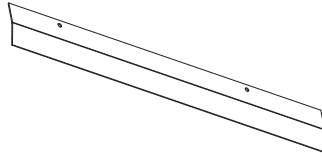
Door Latch	
86626	1

In order to maintain warranty, components must be replaced using original manufacturers parts purchased through your dealer or directly from the appliance manufacturer. Use of third party components will void the warranty.

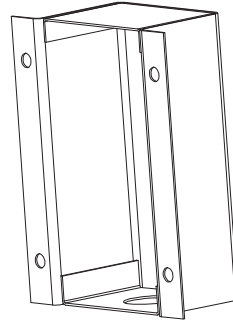
Replacement Parts



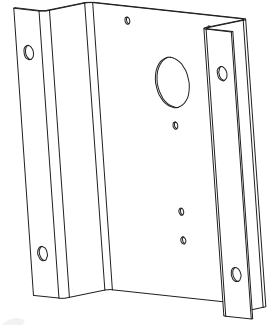
Half Firebrick	
891414A	14



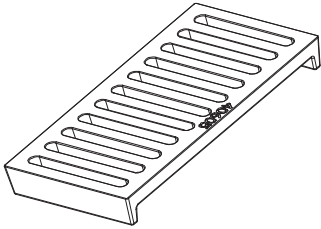
Left Brick Retainer	
28060	1



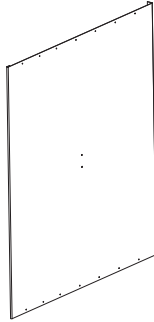
Assy, Blower/T'stat Brkt.	
68234	1



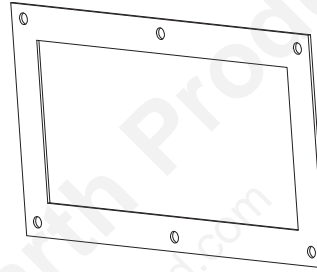
Control Mounting Bracket	
22140	1



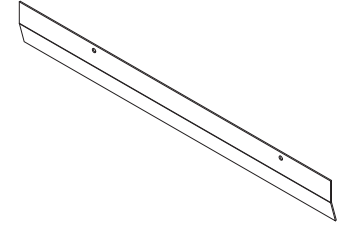
Cast Grate	
40605	1



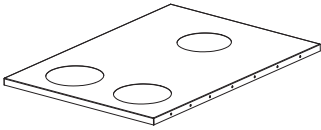
Side Panel	
28065	2



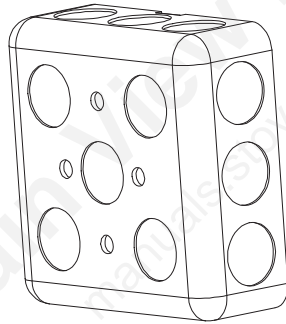
Blower Gasket	
88127	2



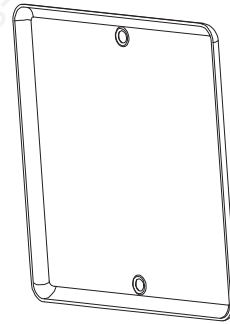
Right Brick Retainer	
28061	1



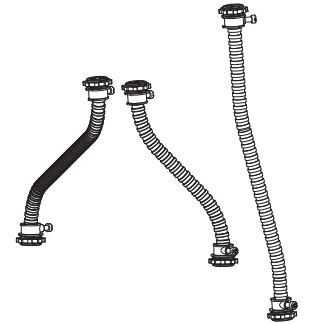
Weldment, Cabinet Top	
610581	1



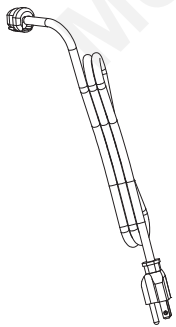
4 X 4 Junction Box	
80131	1



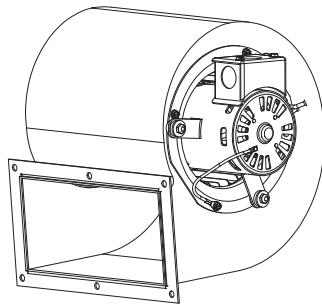
Cover, Junction Box	
80231	1



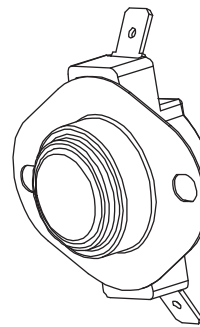
Fan Cntrl Cord Assy	
68231	3



Supply Cord	
80232	1



Blower Assembly	
80600	2



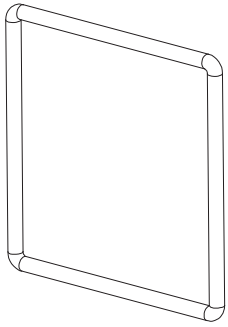
F140 Thermodisc	
80714	1



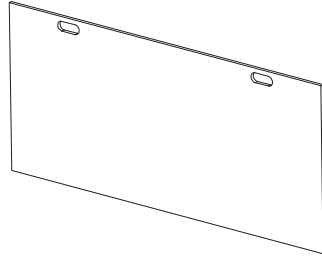
Feed Door Handle	
89636	1

In order to maintain warranty, components must be replaced using original manufacturers parts purchased through your dealer or directly from the appliance manufacturer. Use of third party components will void the warranty.

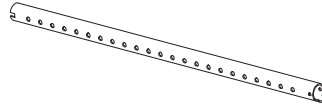
Replacement Parts



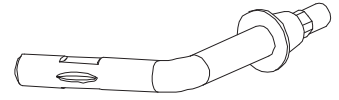
3/8" Rope Gasket Door	
88033	4.25ft



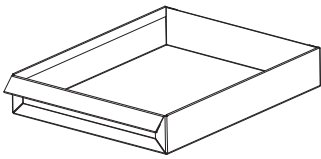
Curtain, Smoke	
23800	1



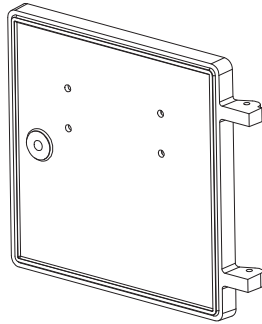
Secondary Air Tube	
86877	6



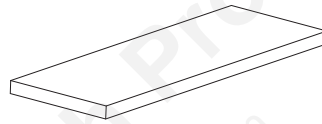
Handle Assembly	
891098	1



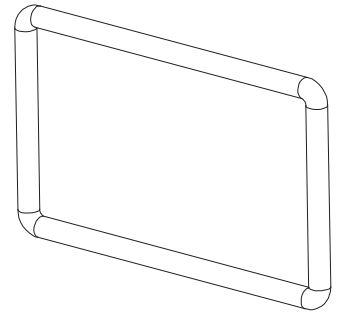
Ashpan Weldment	
610498	1



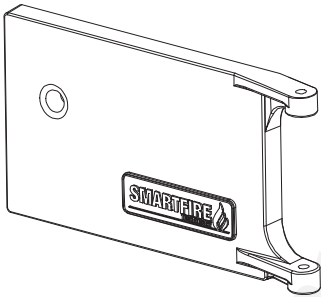
Feed Door	
40499	1



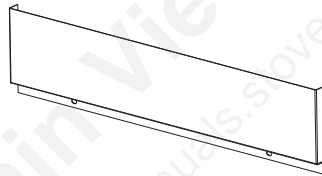
Fiber Board	
892760	2



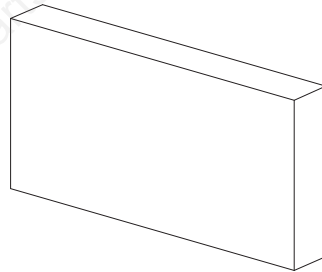
5/8" Rope Gasket	
88066	3ft



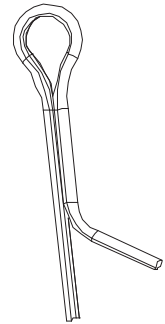
Assembly, Ash Door	
610496	1



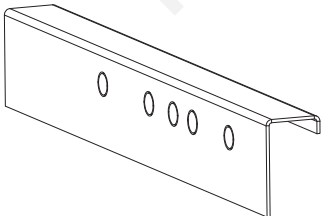
Front Filler	
28064	1



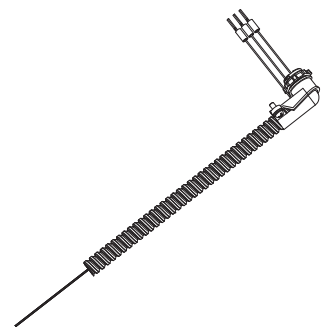
Firebrick (4.5 X 9) Pumice	
89066A	25



1/8 Dia X 1-1/2 Cotter Pin	
83874	6



Channel Liner	
28319	2



Conduit Assy	
68859	1



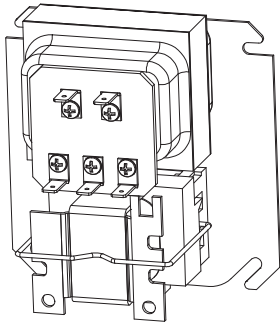
Actuator Conduit Assy	
610668	1



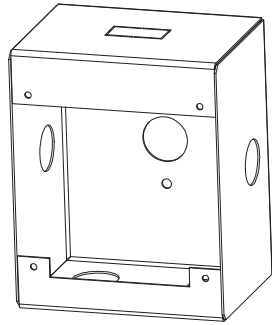
Fan Cntrl Cord Assy.	
68231	1

In order to maintain warranty, components must be replaced using original manufacturers parts purchased through your dealer or directly from the appliance manufacturer. Use of third party components will void the warranty.

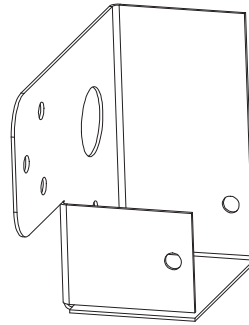
Replacement Parts



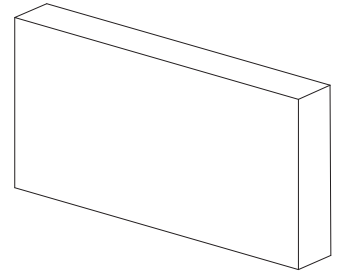
Fan Center	
80130	1



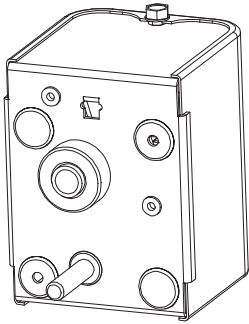
4X4 Fan Box	
25625	1



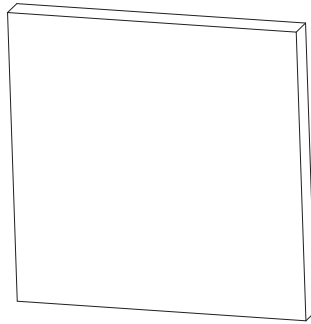
Servo Bracket	
28433	1



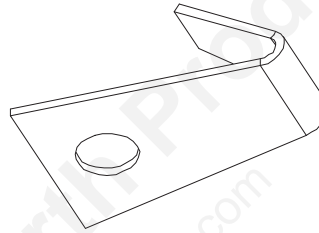
Firebrick (4.5 X 7.5)	
892945	1



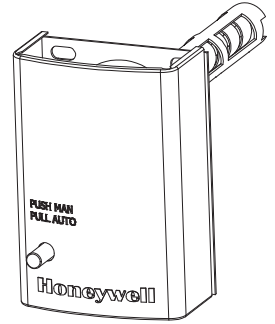
120V Erie Motor	
80592	1



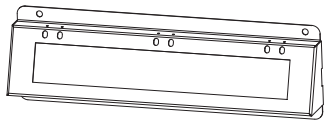
Insulation, 5"x5"	
25626	1



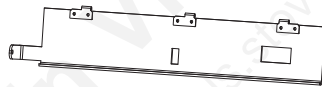
Hook, Handle	
25748	1



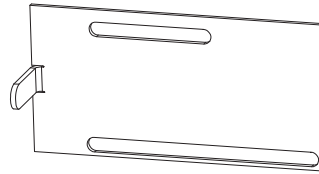
Limit Control	
80145	1



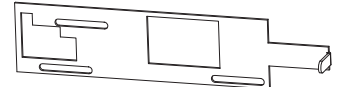
C Air Cover	
28431	1



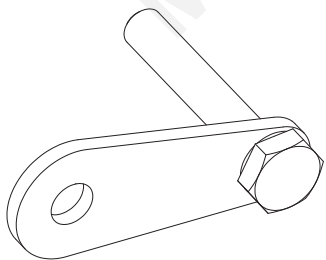
Damper Weldment	
610700	1



Tertiary Air Slide	
28435	1



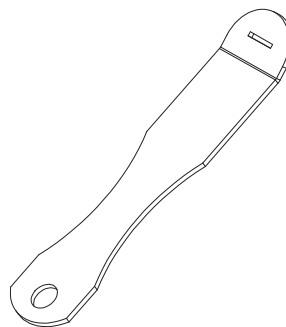
Main Air Slide	
28437	1



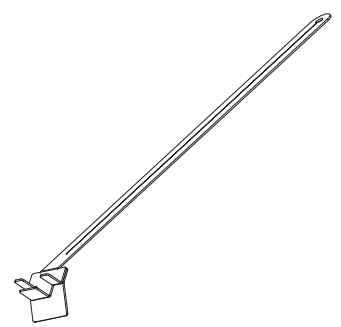
Servo Arm	
610745	1



Linkage Rod	
892891	1



Separable Handle	
28432	1



Shaker Grate Tool	
610744	1

In order to maintain warranty, components must be replaced using original manufacturers parts purchased through your dealer or directly from the appliance manufacturer. Use of third party components will void the warranty.

Service Record

It is recommended that your heating system is serviced regularly and that the appropriate Service Interval Record is completed.

Service Provider:

Before completing the appropriate Service Record below, please ensure you have carried out the service as described in the manufacturer's instructions. Always use the manufacturer's specified spare part when replacement is necessary.

Service 01	Date: _____
Engineer Name: _____	
License No.: _____	
Company: _____	
Telephone No.: _____	
Stove Inspected: <input type="checkbox"/> Chimney Swept: <input type="checkbox"/>	
Items Replaced: _____	

Service 02	Date: _____
Engineer Name: _____	
License No.: _____	
Company: _____	
Telephone No.: _____	
Stove Inspected: <input type="checkbox"/> Chimney Swept: <input type="checkbox"/>	
Items Replaced: _____	

Service 03	Date: _____
Engineer Name: _____	
License No.: _____	
Company: _____	
Telephone No.: _____	
Stove Inspected: <input type="checkbox"/> Chimney Swept: <input type="checkbox"/>	
Items Replaced: _____	

Service 04	Date: _____
Engineer Name: _____	
License No.: _____	
Company: _____	
Telephone No.: _____	
Stove Inspected: <input type="checkbox"/> Chimney Swept: <input type="checkbox"/>	
Items Replaced: _____	

Service 05	Date: _____
Engineer Name: _____	
License No.: _____	
Company: _____	
Telephone No.: _____	
Stove Inspected: <input type="checkbox"/> Chimney Swept: <input type="checkbox"/>	
Items Replaced: _____	

Service 06	Date: _____
Engineer Name: _____	
License No.: _____	
Company: _____	
Telephone No.: _____	
Stove Inspected: <input type="checkbox"/> Chimney Swept: <input type="checkbox"/>	
Items Replaced: _____	

Service 07	Date: _____
Engineer Name: _____	
License No.: _____	
Company: _____	
Telephone No.: _____	
Stove Inspected: <input type="checkbox"/> Chimney Swept: <input type="checkbox"/>	
Items Replaced: _____	

Service 08	Date: _____
Engineer Name: _____	
License No.: _____	
Company: _____	
Telephone No.: _____	
Stove Inspected: <input type="checkbox"/> Chimney Swept: <input type="checkbox"/>	
Items Replaced: _____	

Limited Warranty

The operation of this unit in a manner inconsistent with the owner's manual will void the warranty and is also against federal regulations. United States Stove Company warrants this product to be free from defects in material and workmanship, to the original retail purchaser only, for the time period identified below, measured from the date of the initial purchase as evidenced on an invoice, cancelled check, sales receipt, etc., to receipt of a claim by United States Stove Company ("USSC") or an authorized dealer, as follows:

TIME PERIOD	
Firebox / Heat Exchanger	Limited Lifetime
Door	One Year
Cabinets and Trim	One Year
Gaskets	One Year
All Electrical Components (Blower, Auger / Agitator Motor, PC Board, Switches)	One Year
Ceramic Glass	One Year

WARRANTY CONDITIONS

- This warranty only covers USSC appliances that are purchased through an USSC authorized retailer, dealer or distributor.
- This warranty is only valid while the USSC appliance remains at the site of original installation. This warranty does not apply to products purchased for rental use.

CLAIM PROCEDURE

Contact United States Stove Company for warranty service. You will be asked to provide detailed descriptions and pertinent data, including proof of purchase which will be returned upon request. Providing the heater has been installed and used in accordance with the Owner's Manual supplied with the heater and the issue does not fall under a situation of exclusion, United States Stove Company will either:

- Replace the defective part free of charge. Parts and/or service replacements made under the terms of this warranty are warranted only for the remaining period of the original heater warranty.
- Replace the heater free of charge. Should the heater be replaced by United States Stove Company "free of charge", all further warranty obligations are thereby met.
- Where the defect is of a cosmetic (non-functional) nature, United States Stove Company will bear reasonable expense to repair the heater, including such items as welding, painting, and incidental labor. A "reasonable expense" is defined by terms of this warranty as \$30.00/hour with full refund for any purchase of parts.

WARRANTY EXCLUSIONS

This warranty does not cover the following:

- Damage to or changes in surface finishes as a result of normal use. As a heating appliance, some changes in color or interior and exterior surface finishes may occur. This is not a flaw and is not covered under warranty.
- Damage to printed, plated, or enameled surfaces caused by fingerprints, accidents, misuse, scratches, melted items, or other external sources and residues left on the plated surfaces from the use of abrasive cleaners or polishes.
- Repair or replacement of parts that are subject to normal wear and tear during the warranty period. These parts include: paint, pellet, and the discoloration of glass.
- Minor expansion, contraction, or movement of certain parts causing noise. These conditions are normal and complaints related to this noise are not covered by this warranty.
- Damages resulting from: (1) failure to install, operate, or maintain the appliance in accordance with the installation instructions, operating instructions, and listing agent identification label furnished with the appliance; (2) failure to install the appliance in accordance with local building codes and/or authorities having jurisdiction; (3) shipping or improper handling; (4) improper operation, abuse, misuse, continued operation with damaged, corroded or failed components, accident, alteration, or improperly/incorrectly performed repairs; (5) environmental conditions, weather, inadequate ventilation, negative pressure, or drafting caused by tightly sealed constructions, insufficient make-up air supply, or handling devices such as exhaust fans or forced air furnaces or other such causes; (6) use of fuels other than those specified in the operating

instructions; (7) installation or use of components not supplied with appliance or any other components not expressly authorized and approved by USSC; (8) modification of the appliance not expressly authorized and approved by USSC in writing; and/or (9) interruptions or fluctuations of electrical power supply to the appliance.

- Non-USSC venting components, hearth components or other accessories used in conjunction with the appliance.
- USSC's obligation under this warranty does not extend to the appliance's capability to heat the desired space. Information is provided to assist the consumer and the dealer in selecting the proper appliance for the application. Consideration must be given to appliance location and configuration, environmental conditions, insulation and air tightness of the structure.
- Problems relating to smoking or creosote. Smoking is attributable to inadequate draft due to the design or installation of the flue system or installation of the heater itself. Creosote formation is largely attributable to improper operation of the unit and/or draft as mentioned above.
- Any cost associated with product removal and re-installation, travel, transportation, or shipping.
- Service calls to diagnose trouble (unless authorized in writing by the manufacturer, distributor, or dealer).

THIS WARRANTY IS VOID IF

- The appliance has been over-fired or operated in atmospheres contaminated by chlorine, fluorine, or other damaging chemicals. Over-firing can be identified by, but not limited to, warped plates or tubes, rust colored cast iron, bubbling, cracking and discoloration of steel or enamel finishes.
- The appliance is subjected to prolonged periods of dampness or condensation.
- There is any damage to the appliance or other components due to water or weather damage which is the result of, but not limited to, improper chimney or venting installation.

LIMITATIONS OF LIABILITY

The owner's exclusive remedy and USSC's sole obligation under this warranty, under any other warranty, express or implied, or in contract, tort or otherwise, shall be limited to replacement, repair, or refund, in USSC's sole and absolute discretion. In no event will USSC be liable for any incidental or consequential damages. THE LIMITED WARRANTY SET FORTH HEREIN IS THE SOLE WARRANTY PROVIDED TO PURCHASER AND IS IN LIEU OF ALL OTHER WARRANTIES AND REPRESENTATIONS, EXPRESS OR IMPLIED. USSC MAKES NO REPRESENTATIONS OR WARRANTIES WHATSOEVER, EXPRESS OR IMPLIED, WITH RESPECT TO THE PRODUCT, OTHER THAN (i) THE LIMITED WARRANTY ABOVE, AND (ii) ANY IMPLIED WARRANTIES IMPOSED BY APPLICABLE LAW WHICH CANNOT BE WAIVED OR DISCLAIMED UNDER APPLICABLE LAW. ALL OTHER WARRANTIES OF ANY KIND, INCLUDING WITHOUT LIMITATION IMPLIED WARRANTIES OF MERCHANTABILITY AND FITNESS FOR A PARTICULAR PURPOSE, ARE HEREBY DISCLAIMED AND EXCLUDED TO THE FULLEST EXTENT NOT PROHIBITED BY APPLICABLE LAW. This Limited Warranty gives the purchaser specific legal rights; a purchaser may have other rights depending upon where he or she resides. Some states do not allow the exclusion or limitation of special, incidental or consequential damages, or state law may affect the duration of limitations, so the above exclusion and limitations may not be applicable.

WARRANTOR

The warrantor of record is United States Stove Company, PO Box 151, 227 Industrial Park Road, South Pittsburg, Tennessee 37380. Phone number: (800)-750-2723. Register your product on line at www.usstove.com. Save your proof of purchase, as documented in a receipt or invoice, with your records for any claims.

IMPORTANT

We congratulate you on your selection of United States Stove Company and its products. As the oldest solid fuel manufacturer in the United States (since 1869), the United States Stove Company is very proud of its products, service, employees, and satisfied customers. We would like to hear from you if you are not satisfied with the manner in which you have been handled by our distributor, dealer, representative, customer service department, parts department, or sales department. Please reach out to us by using any of the contact information listed above.

How To Order Replacement Parts / Commande De Pièces De Rechange

This manual will help you obtain efficient, dependable service from your stove, and enable you to order repair parts correctly.

Keep this manual in a safe place for future reference.

When writing, always give the full model number which is on the nameplate attached to the stove.

When ordering repair parts, always give the following information as shown in this list /

Ce manuel vous aidera à obtenir un service efficace et fiable de l'appareil de chauffage et vous permettra de commander correctement des pièces de rechange.

Veillez conserver ce guide dans un endroit sûr à des fins de référence.

Lorsque vous nous écrivez, veuillez indiquer le numéro complet du modèle qui figure sur la plaque signalétique de l'appareil de chauffage.

Lorsque vous commandez des pièces de rechange, veuillez toujours fournir les renseignements suivants, tels que montrés dans cette nomenclature:

1. The part number / Le numéro de pièce: _____
2. The part description / Une description de la pièce: _____
3. The model number / Le numéro de modèle: _____
4. The serial number / Le numéro de série: _____

United States Stove Company
227 Industrial Park Road
South Pittsburg, TN 37380
(800) 750-2723
www.usstove.com

Garantie limitée

L'utilisation de cette unité en contradiction avec le manuel de l'utilisateur annule la garantie, tout en enfreignant les réglementations fédérales. United States Stove Company garantit, uniquement à l'acheteur au détail original, que ce produit est exempt de détectivités des matériaux et de qualité de l'exécution, pendant la période indiquée ci-dessous, de la date initiale d'achat prouvée par une facture, un chèque obliéré, un reçu de vente, etc., de United States Stove Company (« USSC ») ou d'un détaillant autorisé, comme suit :

DÉLAI PRÉSCRIT

Boîte à feu/échangeur de chaleur	À vie limitée
Porte	Un an
Cabinets et garniture	Un an
Joints d'étanchéité	Un an
Tous les composants électriques (Souffleur, moteur de la vis/agitateur, carte de circuit imprimé, commutateurs)	Un an
Vitre céramique	Un an

CONDITIONS DE LA GARANTIE

- La garantie ne couvre que les appareils USSC achetés chez un détaillant ou distributeur USSC autorisé.
- Cette garantie n'est valide que si l'appareil USSC demeure sur le site d'installation d'origine. Cette garantie ne s'applique pas aux produits achetés pour la location.

PROCÉDURE DE RÉCLAMATION

Contactez United States Stove Company pour un service sur garantie. Il vous sera demandé de fournir les descriptions et données pertinentes, incluant la preuve d'achat qui sera retournée sur demande. Sous réserve que l'appareil de chauffage ait été installé et utilisé conformément avec le Manuel du propriétaire fourni avec cet appareil de chauffage et que le problème ne porte pas sur une situation d'exclusion, United States Stove Company :

- Remplacera sans frais la pièce détectée. Les pièces et/ou les remplacements d'entretien effectués selon les termes de cette garantie le sont uniquement pour le reste de la période originale de la garantie de ce produit.
- Remplacer l'appareil de chauffage sans frais. Si l'appareil de chauffage doit être remplacé par United States Stove Company « sans frais », tous les engagements au titre de cette garantie seront respectés.
- Si le défaut est de nature esthétique (non fonctionnel), United States Stove Company assumera les frais pour réparation de l'appareil de chauffage, incluant les éléments comme la soudure, la peinture et la main-d'œuvre accessoire. Les « frais raisonnables » définis aux termes de cette garantie sont de 30,00 \$/heure avec un remboursement complet pour tout achat de pièces.

EXCLUSIONS DE LA GARANTIE

Cette garantie ne couvre pas ce qui suit :

- Domage ou modification du fini de la surface causé par une utilisation normale. Comme il s'agit d'un appareil de chauffage, il pourra se produire une certaine modification de la couleur et des finis de la surface intérieure et extérieure. Il ne s'agit pas d'un défaut et ce n'est pas couvert par la garantie.
- Détérioration des surfaces imprimées, plaquées ou émaillées par les marques externes, ainsi que les résidus laissés sur les surfaces plaquées par l'utilisation de nettoyants ou produits à polir abrasifs.
- Réparation ou remplacement des pièces soumises à une usure normale pendant la période de garantie. Ces pièces comprennent : peinture, granules et décoloration de la vitre.
- Bruit causé par la dilatation, contraction ou déplacements mineurs de certaines pièces. Ces conditions sont normales et les réclamations liées à ce bruit ne sont pas couvertes par cette garantie.
- Domages causés par : (1) l'installation, l'utilisation ou la maintenance de l'appareil sans tenir compte des instructions et d'utilisation, et sans consulter l'étiquette d'identification de l'agent de liste; (2) le non-respect des codes du bâtiment locaux et/ou des autorités ayant juridiction pendant l'installation de l'appareil; (3) l'expédition ou la mauvaise manipulation; (4) la mauvaise utilisation, l'abus, l'utilisation continue alors que des composants liés à l'environnement et à la météo, une mauvaise ventilation, une pression négative ou un mauvais tirage en raison de l'étanchéité de la construction, l'approvisionnement insuffisant en air d'appoint ou d'autres dispositifs tels que

RESTRICTIONS DE LA GARANTIE

Le seul recours du propriétaire et la seule obligation de USSC en vertu de cette garantie ou de toute autre garantie, explicite ou tacite, contractuelle, à tort ou à raison, sont limités au remplacement, à la réparation ou au remboursement. En aucun cas, USSC ne saurait être tenue responsable des dommages fortuits ou consécutifs. LA GARANTIE LIMITEE INCLUSE AUX PRESENTES EST LA SEULE DISPONIBLE POUR L'ACHETEUR, TENANT LIEU DE TOUTES AUTRES GARANTIES OU DECLARATIONS, FORMELLE OU TACITE, USSC NE FAIT AUCUNE DECLARATION OU GARANTIE DE TOUTE SORTIE, QU'ELLE SOIT TACITE OU FORMELLE, RELATIVEMENT AU PRODUIT, AUTRE QUE (i) LA GARANTIE LIMITEE MENTIONNEE CI-DESSUS, ET (ii) TOUTE GARANTIE IMPOSEE PAR LE DROIT APPLICABLE PAR LAQUELLE ELLE NE PEUT ETRE ANNULEE OU DECLINEE SELON LE DROIT APPLICABLE. TOUTES AUTRES GARANTIES DE TOUT GENRE, INCLUANT, MAIS SANS S'Y LIMITER, AUX GARANTIES TACITES DE QUALITE MARCHANDE OU D'APPTITUDE A L'EMPLOI, SONT DONC AUX PRESENTES, DECLINEES ET EXCLUES JUSQU'A LA LIMITE DU DROIT APPLICABLE. Cette garantie limitee confère à l'acheteur des droits juridiques spécifiques, les droits de l'acheteur pourraient différer selon son lieu de résidence. Certains Etats ne permettent pas l'exclusion ou la limitation de dommages particuliers, accessoires ou indirects, ou des lois d'Etat pouvant avoir un impact sur la durée des limitations; ainsi, l'exclusion et les limitations précédentes pourraient ne pas s'appliquer.

GARANT

Le garant de ce dossier est United States Stove Company, PO Box 151, 227 Industrial Park Road, South Pittsburg, Tennessee 37380. Numéro de téléphone : (800)-750-2723. Enregistrez votre produit en ligne au www.usstove.com. Conservez votre preuve d'achat, documentée sous forme de facture ou de reçu, en cas de réclamation.

IMPORTANT

Félicitation d'avoir choisi United States Stove Company et ses produits. Étant le plus ancien fabricant de combustible solide aux États-Unis (depuis 1869), United States Stove Company est fière de ses produits, son service, ses employés, et ses clients satisfaits. Nous aimerions le savoir si vous êtes insatisfait de la façon dont vous auriez répondu l'un de nos distributeurs, détaillants, représentants, service à la clientèle, service des pièces ou service des ventes. Veuillez nous joindre en utilisant l'un des moyens pour nous contacter indiqués ci-dessous.

Service Record

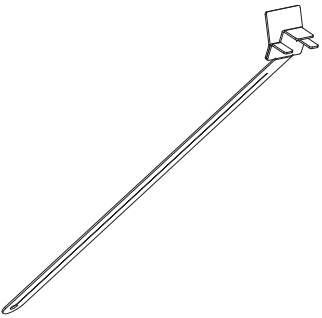
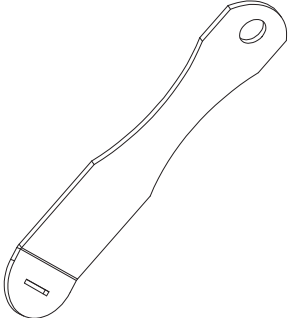
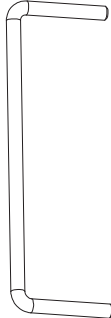
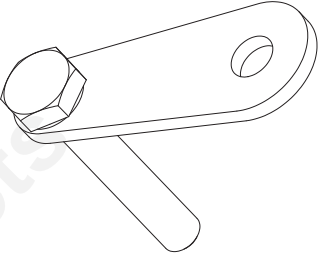
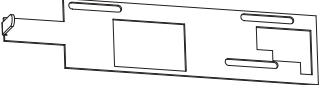
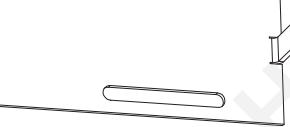
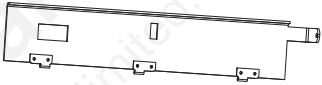
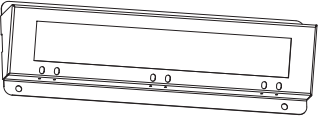
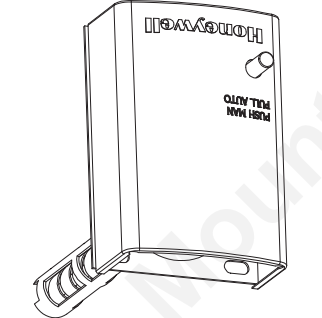
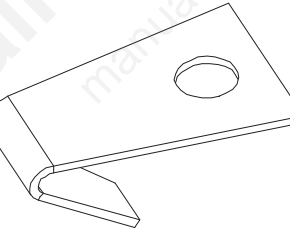
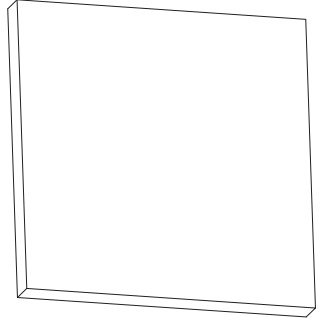
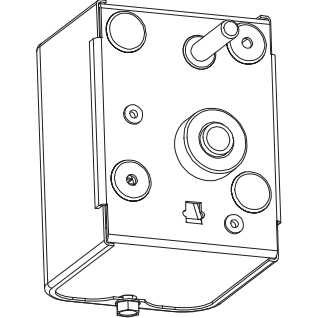
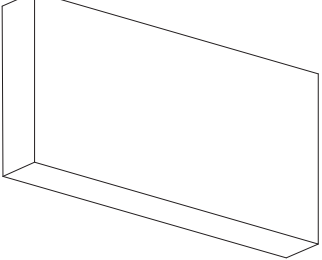
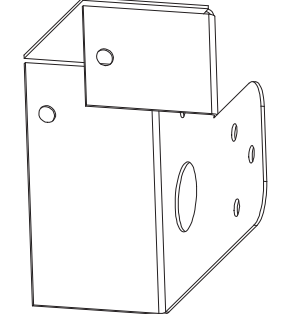
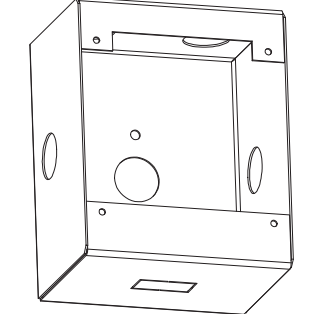
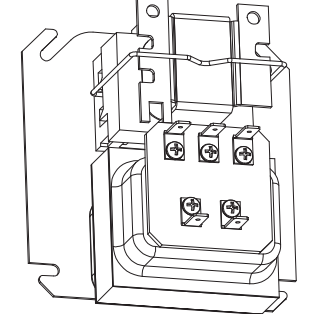
Il est recommandé que votre système de chauffage est desservi régulièrement et que le Service Interval enregistré approprié est terminée.

Fournisseur de services:

Avant de terminer l'enregistrement de service approprié ci-dessous, s'il vous plaît vous assurer que vous avez effectué le service tel que décrit dans le les instructions du fabricant. Toujours utiliser pièce de rechange indiquée par le fabricant lors de remplacement est nécessaire.

<p>Service de 01</p> <p>Date _____</p> <p>Ingénieur Nom: _____</p> <p>Refustratuib No.: _____</p> <p>Company _____</p> <p>N ° de téléphone: _____</p> <p>Poêle Inspecté: <input type="checkbox"/> Cheminée Swept: <input type="checkbox"/></p> <p>Articles Remplacé: _____</p>	<p>Service de 02</p> <p>Date _____</p> <p>Ingénieur Nom: _____</p> <p>Refustratuib No.: _____</p> <p>Company _____</p> <p>N ° de téléphone: _____</p> <p>Poêle Inspecté: <input type="checkbox"/> Cheminée Swept: <input type="checkbox"/></p> <p>Articles Remplacé: _____</p>	<p>Service de 03</p> <p>Date _____</p> <p>Ingénieur Nom: _____</p> <p>Refustratuib No.: _____</p> <p>Company _____</p> <p>N ° de téléphone: _____</p> <p>Poêle Inspecté: <input type="checkbox"/> Cheminée Swept: <input type="checkbox"/></p> <p>Articles Remplacé: _____</p>	<p>Service de 04</p> <p>Date _____</p> <p>Ingénieur Nom: _____</p> <p>Refustratuib No.: _____</p> <p>Company _____</p> <p>N ° de téléphone: _____</p> <p>Poêle Inspecté: <input type="checkbox"/> Cheminée Swept: <input type="checkbox"/></p> <p>Articles Remplacé: _____</p>	<p>Service de 05</p> <p>Date _____</p> <p>Ingénieur Nom: _____</p> <p>Refustratuib No.: _____</p> <p>Company _____</p> <p>N ° de téléphone: _____</p> <p>Poêle Inspecté: <input type="checkbox"/> Cheminée Swept: <input type="checkbox"/></p> <p>Articles Remplacé: _____</p>	<p>Service de 06</p> <p>Date _____</p> <p>Ingénieur Nom: _____</p> <p>Refustratuib No.: _____</p> <p>Company _____</p> <p>N ° de téléphone: _____</p> <p>Poêle Inspecté: <input type="checkbox"/> Cheminée Swept: <input type="checkbox"/></p> <p>Articles Remplacé: _____</p>	<p>Service de 07</p> <p>Date _____</p> <p>Ingénieur Nom: _____</p> <p>Refustratuib No.: _____</p> <p>Company _____</p> <p>N ° de téléphone: _____</p> <p>Poêle Inspecté: <input type="checkbox"/> Cheminée Swept: <input type="checkbox"/></p> <p>Articles Remplacé: _____</p>	<p>Service de 08</p> <p>Date _____</p> <p>Ingénieur Nom: _____</p> <p>Refustratuib No.: _____</p> <p>Company _____</p> <p>N ° de téléphone: _____</p> <p>Poêle Inspecté: <input type="checkbox"/> Cheminée Swept: <input type="checkbox"/></p> <p>Articles Remplacé: _____</p>
--	--	--	--	--	--	--	--

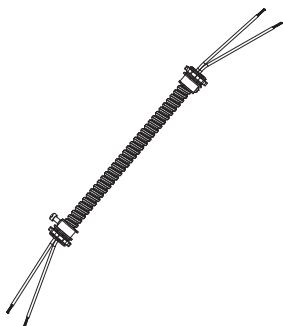
Pour conserver la couverture de la garantie, les composants doivent être remplacés par des pièces d'origine du fabricant achetées auprès de votre détaillant ou directement auprès du fabricant de l'appareil. L'utilisation de composants de tiers annule la garantie.

			
610744 1	28432 1	892891 1	610745 1
Outil de grille de secoueur	Poignée séparable	Bras de servo	Bras de servo
			
28437 1	28435 1	610700 1	28431 1
Glissière d'air principale	Glissière d'air tertiaire	soudure d'amortisseur	C Couverture d'air
			
80145 1	25748 1	25626 1	80592 1
Contrôle de limite	Crochet, poignée	Isolation, 5"X5"	120V erte moteur
			
892945 1	28433 1	25625 1	80130 1
Firebrick (4.5 X 7.5)	Support de servo	boîte de ventilateur	centre de ventilateur

Pièces De Remplacement

Pour conserver la couverture de la garantie, les composants doivent être remplacés par des pièces d'origine du fabricant achetées auprès de votre distributeur ou directement auprès du fabricant de l'appareil. L'utilisation de composants de tiers annule la garantie.

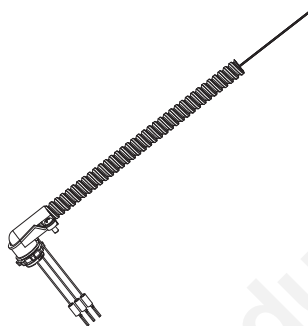
68231	1
Ventilateur Cntrl Cordon	



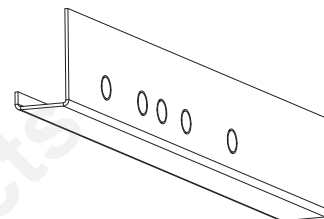
610668	1
Actionneur Conduit Assy	



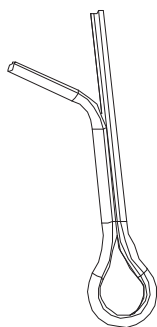
68859	1
Conduit Assy	



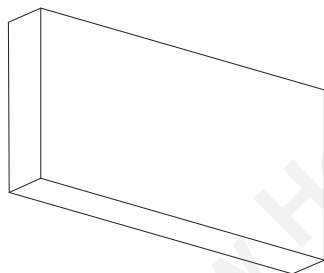
28319	2
Doublure de canal	



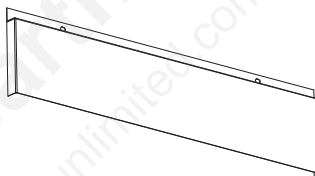
83874	6
1/8 Dia X 1-1/2 goupille fendue	



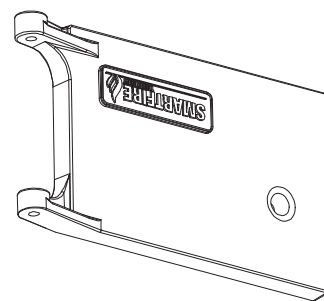
89066A	25
Briques rétractaires (4-1 / 2 X 9)	



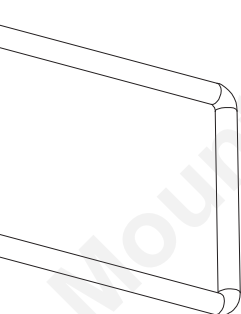
28064	1
Remplisseur avant	



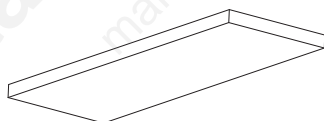
610496	1
Assemblage, porte en frêne	



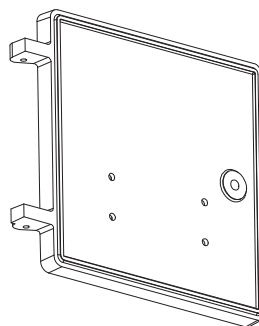
88066	3ft
Joint de corde de 5/8"	



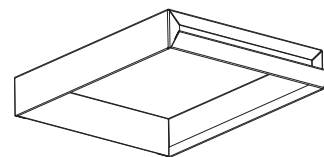
892760	2
Conseil de fibre	



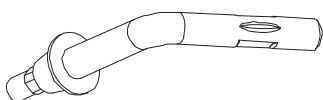
40499	1
Porte d'alimentation	



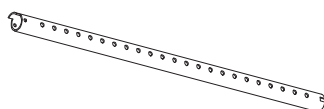
610498	1
weldment de cendre	



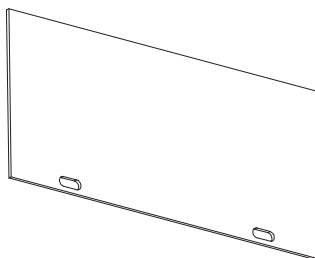
891098	1
Poignée de montage	



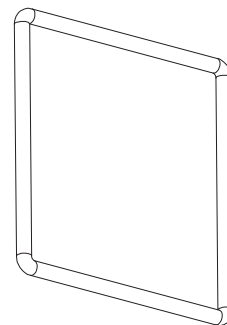
86877	6
Tube d'air secondaire	



23800	1
Rideau, fumée	



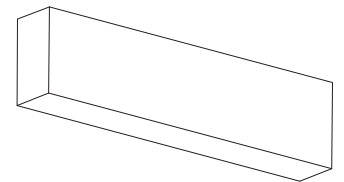
88033	4.25ft
Porte-joint de corde de 3/8 po	



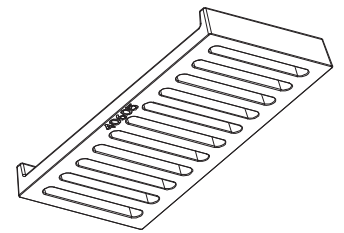
Pièces De Remplacement

Pour conserver la couverture de la garantie, les composants doivent être remplacés par des pièces d'origine du fabricant achetées auprès de votre dépositaire ou directement auprès du fabricant de l'appareil. L'utilisation de composants de tiers annule la garantie.

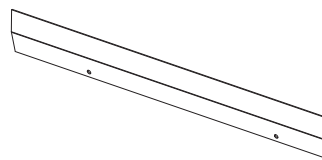
Pièces De Remplacement



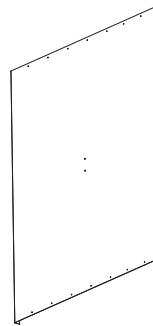
Demi-brique
891414A
14



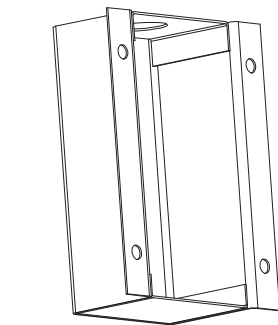
Cast Grte
40605
1



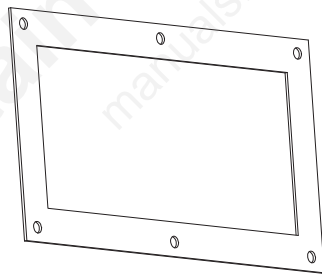
Retenue de brique gauche
28060
1



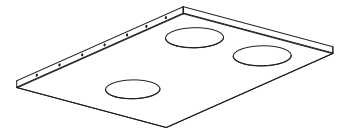
Panneau latéral
28065
2



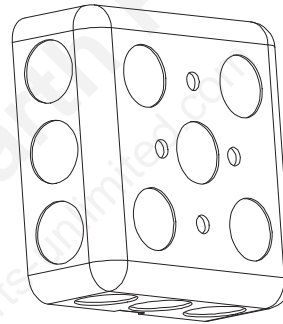
Assy, Souffleur / T'stat Brkt.
68234
1



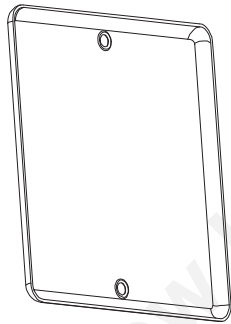
Joint de souffleur
88127
2



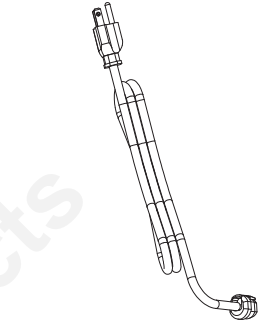
Soudure supérieure du meuble
610581
1



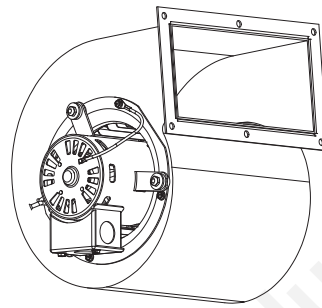
Boîte de jonction 4 X 4
80131
1



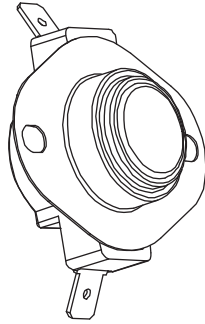
Couvercle, boîte de jonction
80231
1



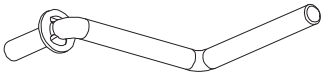
Cordon d'alimentation
80232
1



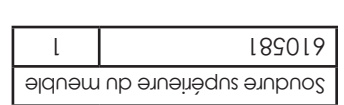
Ensemble de soufflerie
80600
2



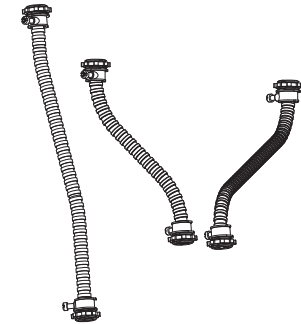
Thermodisque F140
80714
1



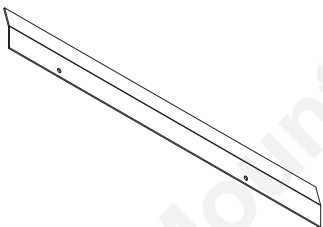
Poignée de porte d'alimentation
89636
1



Cordon de commande de ventilateur assy
68231
3



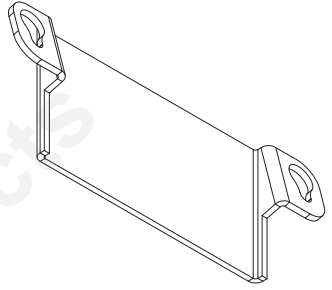
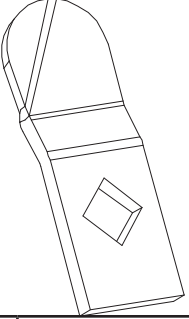
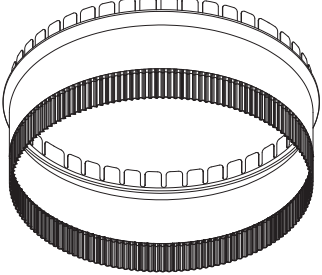
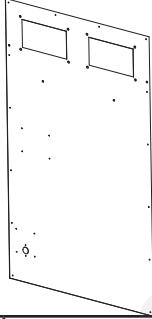
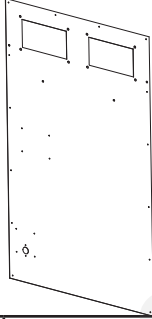
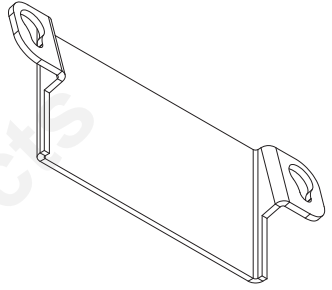
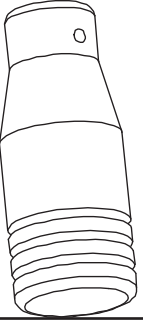
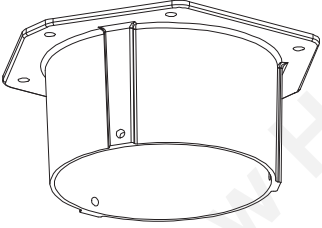
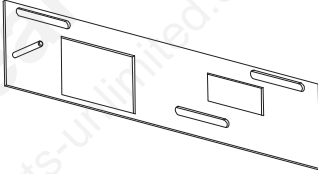

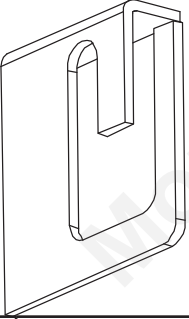
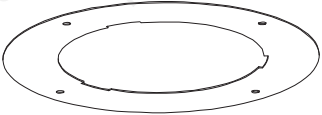
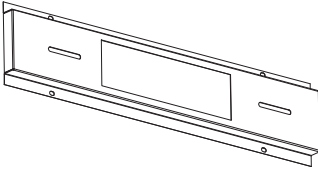

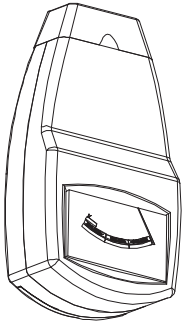
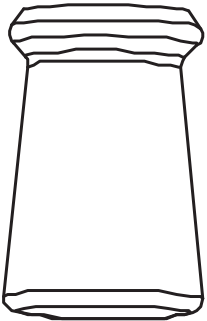
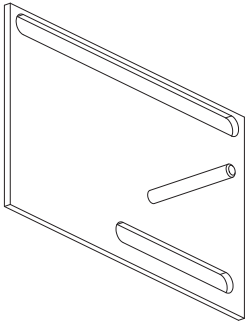
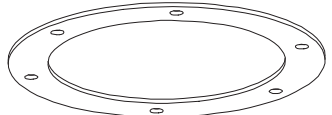
Retenue de brique droite
28061
1



Support de montage de contrôle
22140
1

Pour conserver la couverture de la garantie, les composants doivent être remplacés par des pièces d'origine du fabricant achetées auprès de votre distributeur ou directement auprès du fabricant de l'appareil. L'utilisation de composants de tiers annule la garantie.

Pièces De Remplacement

	28027	1	Support portuaire
	W3100-02	2	Manche en bois
<td>891214</td> <td>1</td> <td>Collier de talon 8 "</td>	891214	1	Collier de talon 8 "
	40246	1	Collier de cheminée, 6" C.I.
	28067	1	Panneau arrière
	610583	1	Amortisseur
	28054	1	Epaule droite
	23786	1	Loquet de porte (C00022)
	22761	1	Anneau, collier de cheminée
	610582	1	Soudure, entrée d'air
	28053	1	Epaule gauche
	80697	1	Humidimètre
	892767	2	Assemblage de bouton en bois
	610624	1	Glissière d'air, petite
	88032	1	Joint De Collier De Cheminée
	86626	1	Loquet de porte
	40246	1	Collier de cheminée, 6" C.I.
	610582	1	Soudure, entrée d'air
	88032	1	Joint De Collier De Cheminée

AVERTISSEMENT: Ne jamais faire fonctionner l'appareil de chauffage sans joint d'étanchéité ou avec un joint endommagé. Des dommages au à l'appareil de chauffage ou même un incendie de maison pourraient en découler.

Les conduits d'air secondaires dans cette unité sont conçus pour offrir un mélange précis d'air secondaire et assurer une plus grande efficacité. Tout dommage ou détérioration de ces conduits peut réduire l'efficacité de la combustion. Les conduits d'air sont maintenus en position par des vis ou par des goupilles de blocage. Localisez et enlevez-les des deux côtés du conduit pour le retirer et le remettre en place.

CONDUITS D'AIR

Nettoyer l'appareil de chauffage uniquement avec un linge doux et sec qui n'endommage pas le fini de la peinture. Si la peinture est égratignée ou endommagée, il est possible de redonner une allure neuve à l'appareil de chauffage au bois en le peignant de nouveau avec une peinture résistante à la chaleur de 1 200 °F. Pour ce faire, il suffit de poncer la surface à repeindre à l'aide d'un papier sable fin, de la nettoyer et d'y appliquer la peinture par couches minces (2).

PEINTURE

Il est recommandé de changer le joint de la porte (assurant l'étanchéité à votre porte) une fois par année, afin de vous assurer un bon contrôle sur la combustion, une efficacité maximale et la sécurité. Pour changer le joint de la porte, retirez simplement celui qui est endommagé. Nettoyez ensuite avec soin la rainure du joint, appliquez un silicone à haute température vendu à cette fin et installez le nouveau joint. Vous pourrez allumer votre poêle à nouveau dans environ 24 heures après avoir terminé cette opération. La porte ce cette unité utilise un joint de corde de 1/2 po de diamètre.

JOINT D'ÉTANCHÉITÉ

Inspecter et nettoyer la vitre régulièrement afin de déceler toute fissure. Si vous voyez une fissure, éteindre l'appareil de chauffage sur-le-champ. Ne jamais abuser de la porte d'observation en frappant sur celle-ci ou en la fermant fortement. Ne pas utiliser l'appareil de chauffage si la vitre est brisée. Si le verre de l'appareil de chauffage casse, le remplacer uniquement par du verre fourni par le détaillant de l'appareil de chauffage. Ne jamais substituer d'autres matériaux à votre vitre. Pour remplacer la vitre, enlever les vis retenant les attaches de vitre à l'intérieur de la porte. Retirer les attaches et remplacer la pièce endommagée par une neuve. Effectuer la procédure à l'inverse après le remplacement. Lors du remplacement de la vitre, le joint d'étanchéité de la vitre devrait aussi être remplacé pour s'assurer que la vitre est bien étanche. Ne jamais laver la vitre avec des produits risquant de l'égratigner. Utiliser un produit spécialisé, offert dans les magasins où les appareils de chauffage au bois sont vendus. La vitre ne doit être lavée que lorsqu'elle est froide.

VITRES

Votre appareil de chauffage au bois est un appareil à haute efficacité et, par conséquent, ne nécessite que très peu d'entretien. Il importe de procéder à une inspection visuelle de l'appareil de chauffage chaque fois qu'il est vidé et nettoyé afin de s'assurer qu'aucune pièce ne soit endommagée. Si c'est le cas, il doit alors être immédiatement réparé. Inspecter et nettoyer les accumulations de créosote ou d'obstruction dans la cheminée et les tuyaux de raccordement.

Entretien

- Attendez que l'appareil soit chaud et qu'il y ait un bon lit de braises avant de régler à un taux de combustion plus bas (ce qui pourrait prendre 30 minutes ou plus selon le bois utilisé)
- Utilisez de plus petits morceaux de bois pendant l'allumage et un taux de combustion élevé pour augmenter la température du poêle
- Pensez à l'environnement et ne brûlez que du bois sèche
- Allumez de feux petits et intenses, au lieu de grands feux lents, lorsque possible.
- Apprenez les caractéristiques de fonctionnement de votre appareil pour obtenir une performance optimale
- Brûler du bois humide a un impact négatif sur l'efficacité de votre poêle et mène à une accélération de l'accumulation de créosote dans la cheminée

CONSEILS OPÉRATIONNELS

Tentez d'atteindre un taux de puissance calorifique dépassant les spécifications de conception du chauffage peut lui causer des dommages permanents.

SURCHAUFFE

Le brûlage du bois produit naturellement des émissions de fumée et du monoxyde de carbone (CO). Le CO est un gaz poison lorsque l'exposition se fait à des concentrations élevées pour une période de temps prolongée. Bien que les systèmes de combustion modernes des chauffages réduisent de façon importante la quantité de CO émis par la cheminée, l'exposition aux gaz dans des endroits fermés ou clos peut être dangereuse. Assurez-vous que les joints d'étanchéité de votre poêle et les joints de la cheminée soient en bon état et qu'ils scellent correctement, évitant les expositions indésirables. Il est recommandé que vous utilisiez des détecteurs de fumée et de CO dans les zones où se trouve un potentiel de génération de CO.

DÉTECTEURS DE FUMÉE ET DE CO

La meilleure façon d'atteindre des efficacités optimales est d'apprendre les caractéristiques de brûlage de votre appareil et du bois bien séché. Des taux de combustion plus élevés ne sont pas toujours les meilleurs taux de combustion; après qu'un bon feu est établi, un taux de combustion plus bas peut être la meilleure option pour un chauffage efficace. Un taux de combustion plus bas ralentit la sortie du flux de chaleur utilisable hors de la maison par la cheminée, et il consomme également moins de bois.

L'efficacité peut être basée sur le pouvoir calorifique inférieur (PCI) ou le pouvoir calorifique supérieur (PCS) du combustible. Le pouvoir calorifique inférieur, c'est lorsque l'eau quitte le processus de combustion sous forme de vapeur, dans le cas des poêles à bois, l'humidité dans le bois brûlé quitte le poêle sous forme de vapeur. Le pouvoir calorifique supérieur, c'est lorsque l'eau quitte le processus de combustion sous forme entièrement condensée. Dans le cas des poêles à bois, ceci voudrait dire que les gaz d'évacuation sont à la température de la pièce en quittant le système, et donc, les calculs utilisant cette valeur de chaleur tiennent compte de l'élévation de la chaleur dans la cheminée comme une perte d'énergie. Ainsi, l'efficacité calculée en utilisant le pouvoir calorifique inférieur du bois sera plus élevée que celle calculée en utilisant le pouvoir calorifique supérieur. Aux États-Unis, toutes les efficacités des poêles à bois devraient être calculées par le pouvoir calorifique supérieur.

EFFICACITÉ

La quantité visible de fumée produite peut être une méthode efficace pour déterminer comment le processus de combustion s'établit efficacement aux réglages donnés. La fumée visible est composée de combustible non brûlé et de l'humidité s'échappant de votre poêle. Apprenez comment ajuster les réglages d'air de votre unité afin de produire la plus petite quantité de fumée visible. Le bois incorrectement séché a une teneur élevée en humidité et produira un excès de fumée visible et un mauvais brûlage.

FUMÉE VISIBLE

Ce poêle à bois a un taux de combustion minimum défini par le fabricant qui ne doit pas être modifié. Il est contraire aux règlements fédéraux de modifier ce réglage ou de faire fonctionner ce poêle à bois d'une manière non conforme aux instructions d'utilisation de ce manuel.

AVERTISSEMENT DE SABOTAGE

- | |
|--|
| <p>MISES EN GARDE:</p> <ul style="list-style-type: none"> • LES CENDRES PEUVENT CONTENIR DES TISONS CHAUDS MÊME APRÈS DEUX JOURS D'INUTILISATION DE L'APPAREIL DE CHAUFFAGE. • LE PANIER À BRAISE PEUT DEVENIR TRÈS CHAUD. PORTER DES GANTS POUR ÉVITER TOUTE BLESSURE. • NE JAMAIS FAIRE FONCTIONNER L'APPAREIL DE CHAUFFAGE LORSQUE LA TRAPPE À CENDRES EST OUVERTE. CELA ENTRAÎNERAIT UNE COMBUSTION EXCESSIVE DE L'APPAREIL DE CHAUFFAGE. DES DOMMAGES AU À L'APPAREIL DE CHAUFFAGE ET MÊME UN INCENDIE DE MAISON POURRAIENT EN DÉCOULER. |
|--|

- S'il y a un feu de suie ou de créosote:
- Établissez une routine pour le stockage du carburant, l'entretien de l'appareil et les techniques de cuisson.
- Vérifier quotidiennement l'accumulation de créosote jusqu'à ce que l'expérience montre combien de fois le nettoyage est nécessaire.

en oxygène de la chambre de combustion à un niveau minimum. D'un autre côté, le bois brûle rapidement si le contrôle de l'air est ajusté de manière à permettre de plus grandes quantités d'oxygène dans la chambre de combustion. Les conditions de fonctionnement réelles peuvent procurer des résultats différents de ceux obtenus au cours des essais selon l'espèce de bois utilisé, sa teneur en humidité, la grosseur et la densité des morceaux de bois, la longueur de la cheminée, l'altitude et la température extérieure.

AVERTISSEMENTS

- NE JAMAIS SURCHAUFFER L'APPAREIL DE CHAUFFAGE. UNE COMBUSTION EXCESSIVE SE PRODUIT LORSQU'UNE PARTIE DE L'APPAREIL DE CHAUFFAGE COMMENCE À DEVENIR ROUGE. AJUSTER DE NOUVEAU LE CONTRÔLE DE L'ADMISSION DE L'AIR À UN RÉGLAGE PLUS BAS.
- L'INSTALLATION D'UN PANIER OU D'UNE GRILLE À BÛCHES EST DÉCONSEILLÉE DANS VOTRE À L'APPAREIL DE CHAUFFAGE À BOIS. LE FEU DOIT ÊTRE FAIT DIRECTEMENT SUR LA BRIQUE RÉFRACTAIRE.
- NE JAMAIS DÉPOSER DE BOIS SUR LA PAROI DE BRIQUE RÉFRACTAIRE DE LA CHAMBRE DE COMBUSTION.

RECHARGEMENT

Une fois le lit de bûches bien établi, il est temps de remettre du bois dans l'appareil de chauffage. Pour ce faire, ouvrir les régulateurs d'air au maximum pendant quelques secondes avant d'ouvrir la porte de l'appareil de chauffage. Ensuite, ouvrir la porte très lentement. Par la suite, ramener les bûches vers l'avant du poêle et remplir la chambre de combustion.

Pour tirer le maximum de votre appareil de chauffage au bois, nous vous recommandons de l'utiliser en y mettant une charge de bois équivalente aux 3/4 de la hauteur des briques réfractaires. Il est important de prendre note que la combustion du bois consomme de l'oxygène ambiant de la pièce. En cas de pression négative, il est bon de laisser entrer de l'air frais dans la pièce en ouvrant une fenêtre ou en installant un système d'admission d'air frais sur un mur extérieur. Créosote – Formation et besoin de l'enlever – Lorsque le bois brûle lentement, il produit du créosote se condensent dans un conduit de cheminée relativement frais de feu à combustion lente. Ainsi, les résidus de créosote s'accumulent sur le bois. Lorsque l'encrassement, la créosote provoque un feu extrêmement chaud. Le conduit de raccordement de la cheminée doit être inspecté au moins 2 fois par mois au cours de la saison de chauffage afin de déterminer si une accumulation de créosote s'est produite. Si une accumulation de créosote s'est produite (3 mm ou plus), elle devrait être enlevée afin de réduire les risques de feu de cheminée. Nous vous recommandons fortement d'installer un thermomètre magnétique sur le tuyau d'évacuation des fumées, à environ 18 po au-dessus de l'appareil de chauffage. Ce thermomètre vous indiquera la température des fumées dans la fourchette des 135 à 260 °C (entre 275 °F et 500 °F). En deçà de ces températures, la formation de créosote est favorisée. Au-delà de 260 °C (500 °F), la chaleur se perd en trop grande quantité dans l'atmosphère. Ce chauffage au bois a un taux de combustion minimum réglé à la fabrication, et qui ne peut être modifié. La modification de ce réglage ou une utilisation autre de ce chauffage au bois qui ne respecterait pas les directives du présent manuel contrevient aux réglementations fédérales.

FONCTIONNEMENT APRÈS LA PERTE DE L'ALIMENTATION ÉLECTRIQUE

Cet appareil n'est pas conçu pour fonctionner en cas de panne de courant. En cas de coupure de courant pendant le fonctionnement de l'unité, ne pas ajouter plus de bois, fermer toutes les commandes d'air au minimum et retirer le filtre à air. Ne renvoyez pas l'appareil avant que l'alimentation ne soit rétablie.

TO PREVENT CREOSOTE BUILD UP

Toujours faire brûler du bois sec. Cela permet une combustion propre et des températures de cheminée supérieures et de ce fait, moins de dépôts de créosote. Laisser le contrôle de l'air ouvert pendant 5 minutes toutes les fois que l'appareil de chauffage est chargé pour qu'il retourne à sa température normale de fonctionnement. La combustion secondaire ne peut se produire que si le foyer est assez chaud. Vérifier la présence de dépôts de créosote tous les deux mois et faire ramoner la cheminée au moins une fois par an. Si un feu de cheminée ou de créosote se produit, fermer immédiatement tous les registres. Attendre que le feu s'éteigne et que l'appareil de chauffage se refroidisse, puis vérifier si la cheminée a subi des dommages. Si aucun dommage n'est constaté, nettoyer la cheminée pour vous assurer qu'il n'y ait plus de dépôts de créosote dans la cheminée.

ENLÈVEMENT ET DISPOSITION DES CENDRES

Lorsque les cendres atteignent 8 à 10 cm (3 à 4 po) d'épaisseur dans votre boîte à feu ou bac à cendres, et que le feu est éteint et froid, retirez les cendres en excès. Laissez un lit de cendres d'environ 3 cm (1 po) d'épaisseur sur le fond de la boîte à feu pour aider à conserver une couche chaude de charbon. Les cendres doivent être placées dans un récipient en métal recouvert d'un couvercle bien ajusté. Le récipient de cendres fermé doit être placé sur un plancher incombustible ou sur le sol, loin des matériaux combustibles, en attendant sa mise au rebut finale. Les cendres doivent être conservées dans le récipient fermé jusqu'à ce qu'elles aient pu complètement refroidir.

La combustion contrôlée est la technique de chauffage au bois la plus efficace car elle vous permet de sélectionner le type de combustion que vous voulez pour chaque situation donnée. Le bois brûle lentement lorsque le contrôle d'admission d'air de l'appareil de chauffage au bois est ajusté pour réduire l'alimentation

UTILISATION

MISE EN GARDE: Ne jamais modifier le registre à glissières ou la gamme d'ajustement pour augmenter la combustion et ce, pour toute raison. Cela pourrait entraîner un endommagement à l'appareil de chauffage et annuler la garantie.

1. Étendre le feu et les braises uniformément vers le centre de la chambre de combustion avant de remplir complètement l'appareil de chauffage ou d'ajouter d'autres bois.
2. Éviter de trop remplir la chambre de combustion. L'air doit pouvoir circuler librement dans le haut de la chambre de combustion pour que l'appareil de chauffage offre son meilleur rendement. En général, cela signifie de ne pas remplir l'appareil de chauffage plus qu'aux 3/4 de la hauteur de l'ouverture de porte.

LE CHAUFFAGE AU MOYEN D'UN APPAREIL DE CHAUFFAGE AU BOIS

1. Une fois que le bois d'allumage brûle bien ou que le lit de braises rougeoiantes est brassé, placer 2 ou 3 bûches de bois bien sec de manière à ce que les flammes du bois d'allumage circulent autour des bûches et refermer la porte.
2. Avant de remplir l'appareil de chauffage, il faut que le feu soit bien établi dans la chambre de combustion. Cela prend habituellement de 15 à 20 minutes.

PRÉCHAUFFAGE DE VOTRE APPAREIL DE CHAUFFAGE AU BOIS

1. S'assurer que l'appareil de chauffage a été installé conformément aux instructions indiquées dans ce manuel et que son alimentation électrique est adéquate.
 2. Ouvrir la porte de chargement du combustible.
 3. Placer plusieurs petits morceaux de petit bois d'allumage à l'avant de la chambre de combustion, directement à l'étape du préchauffage.
 4. Étendre quelques feuilles de papier torsadées par-dessus le bois d'allumage.
 5. Placer d'autres bois d'allumage (en l'entrecroisant) par-dessus les couches précédentes et encore quelques feuilles de papier journal torsadées, au besoin.
 6. Allumer le papier journal au bas de la pile.
- Remarque: Selon le tirage, la porte devra peut-être être laissée entrouverte d'au plus 1/2 po jusqu'à ce que le feu soit bien pris.
- Ne pas utiliser de produit chimique pour allumer le feu.

ALLUMAGE DE VOTRE APPAREIL DE CHAUFFAGE AU BOIS

La peinture fraîche de votre appareil de chauffage doit être traitée pour en préserver la qualité. Une fois la charge de combustible bien allumée, ne faire brûler que de petits feux pendant les premières heures d'utilisation de votre appareil de chauffage. Ne jamais ouvrir le régulateur d'air plus que nécessaire pour obtenir une vitesse de combustion moyenne.

NE PAS raccorder votre appareil de chauffage aux conduits pendant le traitement. Des odeurs peuvent être senties au cours des 3 ou 4 premiers feux. Ne jamais allumer votre appareil de chauffage à l'extérieur. Il ne sera alors pas possible de voir s'il surchauffe.

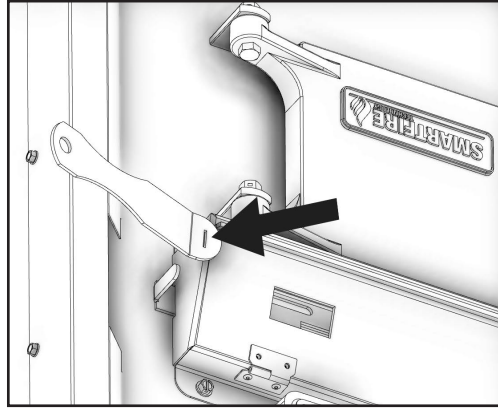
LES PREMIERS FEUX

Lorsque l'appareil de chauffage est bien réchauffé, placer un morceau de bois fendu d'environ 13 cm (5 po) de diamètre parallèlement à la porte sur le lit de cendres rougeoiantes. Tirer sur le régulateur d'air pour le garder en position ouverte complète et refermer la porte. Si la pièce de bois s'allume en 90 secondes ou moins après l'avoir déposée dans le poêle, votre bois est suffisamment sec. Dans le cas contraire, votre bois est encore trop humide. Si le bois émet des sifflements, ou si de l'eau ou de la vapeur s'échappent de ses extrémités, il est trempé ou fraîchement coupé. Ne pas utiliser ce bois dans votre appareil de chauffage. Cela pourrait entraîner l'accumulation d'importants quantités de crésote dans votre cheminée et, par le fait même, un incendie de cheminée.

ESSAI DE VOTRE BOIS

Utilisation

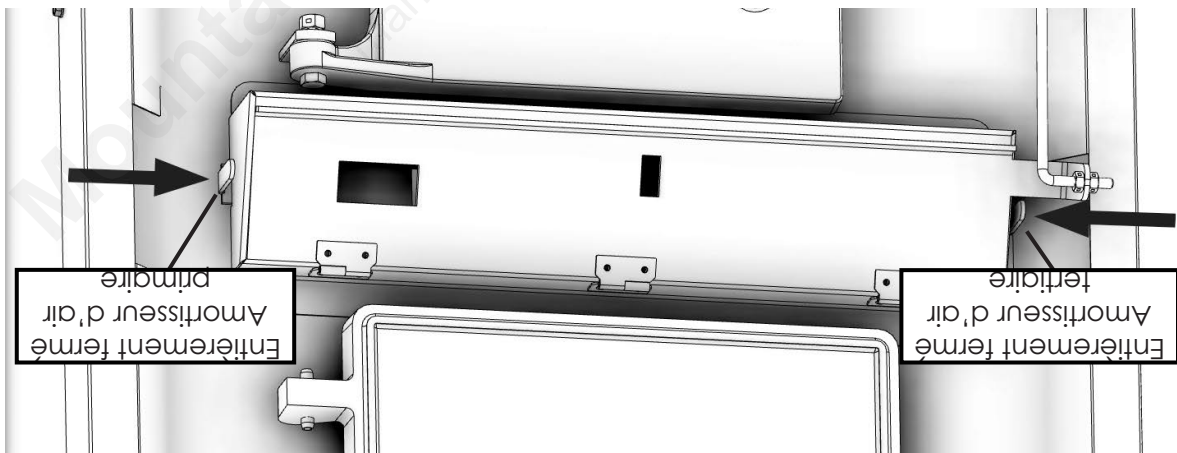
* Utilisez toujours la poignée séparée fournie pour régler les registres d'air primaire et tertiaire.



Taux de combustion maximum et réglage

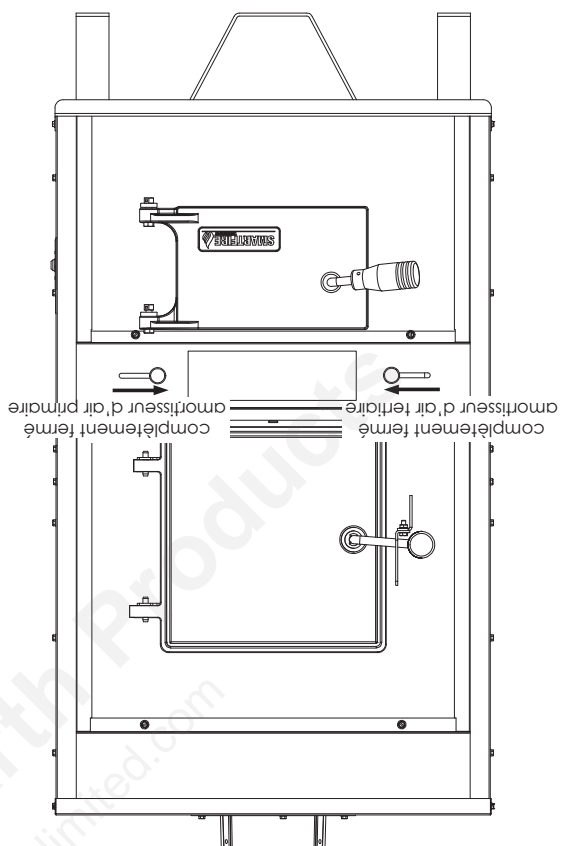


Faible taux de combustion et réglage

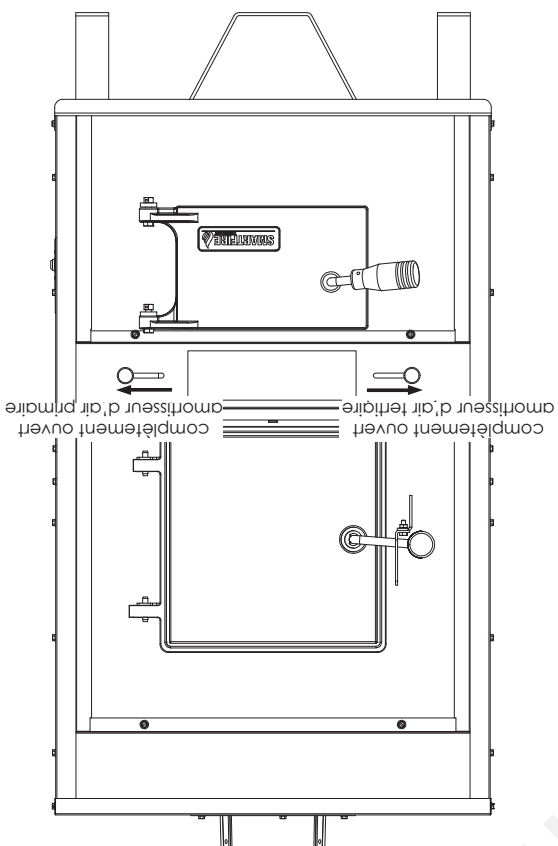


Contrôle D'air Alternatif		
Taux de combustion élevé	Faible taux de combustion	
Amortisseur d'air primaire	Entièrement fermé	Entièrement ouvert
Amortisseur d'air tertiaire	Entièrement fermé	Entièrement ouvert

RÉGLAGE DU TAUX DE COMBUSTION FAIBLE



RÉGLAGE DE LA VITESSE DE COMBUSTION MAXIMALE



Contrôle De L'air		
Amortisseur d'air primaire	Entièrement fermé	Entièrement ouvert
Amortisseur d'air tertiaire	Entièrement fermé	Entièrement ouvert
Taux de combustion	Faible taux de combustion	combustion élevée

CONTRÔLE DE L'AIR**AVIS:**

Pour minimiser le risque d'émanation de fumée lors de l'ouverture de la porte pendant qu'un feu brûle dans l'appareil de chauffage, entrouvrir légèrement la porte, pas plus de 1 po, et attendre au moins 10 secondes avant de l'ouvrir davantage, afin de laisser la pression se stabiliser à l'intérieur de l'appareil de chauffage.

Le petit bois brûlera plus rapidement. Toutes les bûches de 15 cm (6 po) de diamètre ou plus devraient donc fendues. Le bois ne doit jamais être cordé directement sur le sol. L'air doit pouvoir circuler à travers les bûches d'une corde. Un espace libre de 60 à 120 cm (24 à 48 po) doit être laissé entre les rangées de bûches, lesquelles on placera dans un endroit bien ensoleillé. La couche de bois du dessus d'une corde doit être protégée contre les éléments. Les côtés n'ont pas besoin d'être recouverts.

- la combustion incomplète des bûches;
- les vitres noircies,
- la faible production d'énergie,
- l'accumulation de créosote jusqu'à causer un incendie,
- les problèmes d'allumage,

Parmi ces problèmes, notons:

leur origine dans un bois trop humide ou qui a séché dans de piètres conditions. Dans les pires conditions, le bois pourrait même pourrir au lieu de sécher. Nous ne saurions trop insister sur ce point. En effet, la vaste majorité des problèmes liés à l'utilisation d'un appareil de chauffage au bois trouvent même si le bois a été coupé depuis plus d'un an, il n'est peut-être pas encore assez sec s'il a été mal entreposé. sorte que sa teneur en humidité représente tout au plus 20 % du poids total de la bûche. Appelez-vous que Il est **EXTRÊMEMENT IMPORTANT** de n'utiliser que du BOIS SEC. Le bois doit avoir séché pendant 9 à 15 mois, de

Utilisation Du Chauffage Au Bois

COMBUSTIBLE

La méthode descendante de préparation d'un feu est recommandée pour cet appareil. Après vous être assuré que les contrôles de prise d'air du poêle sont entièrement ouverts (complètement tirés vers vous), placez les plus grosses pièces de bois au bas en parallèle, et assez près l'une de l'autre. Les secondes pièces sont placées en une seconde couche, en travers aux premières. Une troisième couche de plus petites pièces est déposée en travers de la seconde, cette fois avec un certain espace entre elles. Ensuite, déposer une quatrième couche de bois d'allumage et de papier journal chiffonné sur le dessus de la pile.

Lors du brûlage de bois durs séchés à l'air, une plus grande efficacité et des émissions moins élevées peuvent être atteintes, comparativement aux bois mous ou aux bois durs verts ou fraîchement coupés.

NE PAS BRÛLER:

1. Des ordures;
2. Des déchets de fonte ou résidus de jardin;
3. Des matériaux contenant du caoutchouc,
4. Matériaux contenant du plastique;
5. Des déchets de produits du pétrole, des peintures ou diluants à peinture, ou des produits d'asphalte;
6. Matériaux contenant de l'amiante;
7. Débris de construction ou de démolition;
8. Traverses de voie ferrée ou bois traité sous pression;
9. Fumier ou restes d'animaux;
10. Bois de grève en eau salée ou autres matériaux précédemment saturés par de l'eau salée;
11. Bois non séché; ou
12. Produits du papier, carton, contreplaqué, ou panneau de particules. L'interdiction de brûlage de ces matériaux n'interdit pas l'utilisation d'allume-feu composés de papier, carton, sciure de bois, cire et substances similaires, aux fins de démarquer le feu dans un chauffage au bois modifié.

Le brûlage de ces matériaux peut causer des émissions de fumées toxiques ou rendre le chauffage inefficace en raison de la fumée. Le bois mort tombé des arbres doit être considéré comme étant mouillé et doit donc être séché. Le bois mort peut normalement être considéré comme sec à 66%. Fendre et empiler le bois avant de l'entreposer accélère son séchage. Entrez le bois sur une surface surélevée du sol et sous un espace abrité de la pluie ou de la neige, accélérera le temps de séchage. Un bon indicateur pour savoir si le bois est prêt à brûler est de vérifier les extrémités du morceau. Si elles sont fendues de toutes parts à partir du centre, le bois devrait donc être suffisamment sec. Si votre bois grisille quand il brûle, même si la surface est sèche, il pourrait ne pas être entièrement sec et devrait être laissé à sécher plus longtemps.

Ne pas brûler les bûches fabriquées à partir de sciure imprégnée de cire ou de bûches avec des additifs chimiques. Les bûches fabriquées à partir de sciure de bois compressée à 100% peuvent être brûlées, mais faites attention de brûler trop de ces bûches en même temps. Commencez avec une bûche fabriquée et voyez comment le poêle réagit. Vous pouvez augmenter le nombre de bûches brûlées à la fois pour vous assurer que la température ne dépasse jamais 246 ° C (475 ° F) sur un thermomètre magnétique pour une installation sur des tuyaux de poêle à pari simple ou 482 ° C (900 ° F) sur sonde thermométrique pour l'installation sur un tuyau de poêle à double pari. Le thermomètre doit être placé à environ 18" (457 mm) au-dessus du poêle. Des températures plus élevées peuvent entraîner une surchauffe et endommager votre poêle.



Votre fournaise a été conçue pour brûler du bois seulement; aucun autre matériel ne devrait être brûlé. Les déchets et autres matériaux inflammables ne doivent pas être brûlés dans votre fournaise. N'UTILISEZ PAS DE PRODUITS CHIMIQUES OU DE FLUIDES POUR ALLUMER LE FEU, NE PAS BRÛLER D'ORDURES, D'ESSENCE, DE NAPHTHA, D'HUILE MOTEUR OU D'AUTRES MATÉRIAUX INAPPROPRIÉS. Tout type de bois peut être utilisé dans votre four, mais les variétés spécifiques ont de meilleurs rendements énergétiques que d'autres. Veuillez consulter le tableau suivant afin de faire le meilleur choix possible.

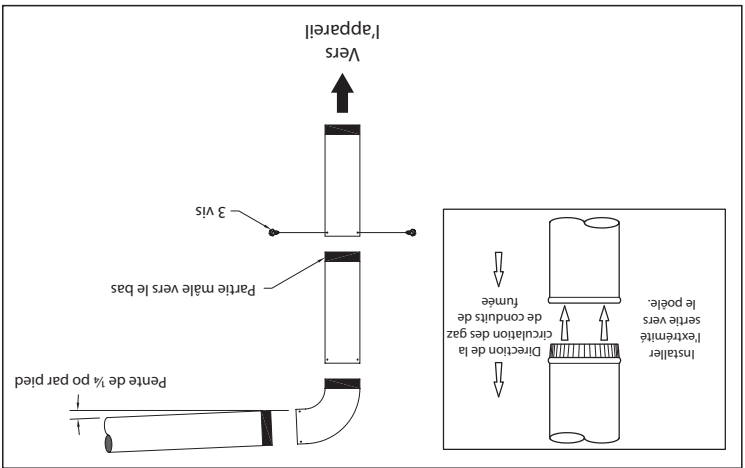
TYPE	POIDS (LB PLS SEC)	PAR CORDE	COTE D'EFFICACITÉ	SE FEND	MILLIONS DE BTU PAR CORDE
Hickory	63	4500	1,0	Bien	31,5
Chêne blanc	48	4100	0,9	Moyennement	28,6
Chêne rouge	46	3900	0,8	Moyennement	27,4
Hêtre	45	3800	0,7	Difficilement	26,8
Erable à sucre	44	3700	0,6	Moyennement	26,2
Chêne noir	43	3700	0,6	Moyennement	25,6
Frêne	42	3600	0,5	Bien	25,0
Merisier	40	3400	0,4	Difficilement	23,8
Erable rouge	38	3200	0,3	Moyennement	22,6
Bouleau à papier	37	3100	0,3	Facilement	22,1
Orme/platane	34	2900	0,2	Très difficilement	20,1
Épinette rouge	29	1800	0,1	Facilement	16,1

CONDUIT DE RACCORDEMENT DE CHEMINÉE

Le conduit de raccordement de la cheminée et la cheminée doivent avoir le même diamètre que la sortie de l'appareil de chauffage. Si ce n'est pas le cas, nous vous recommandons de communiquer avec le détaillant afin de vous assurer qu'il n'y aura pas de problème de tirage.

Le tuyau de l'appareil de chauffage doit être fait d'acier aluminé ou laminé à froid d'une épaisseur minimale de 0,021 po ou 0,53 mm. Il est strictement défendu d'utiliser de l'acier galvanisé.

Le conduit de raccordement doit être assemblé de sorte que la section mâle (extrémité sortie) du tuyau soit orientée vers le bas. Fixer chaque section à une autre à l'aide de trois vis à métal placées à une distance égale. Sceller les joints avec du ciment à calorifère.



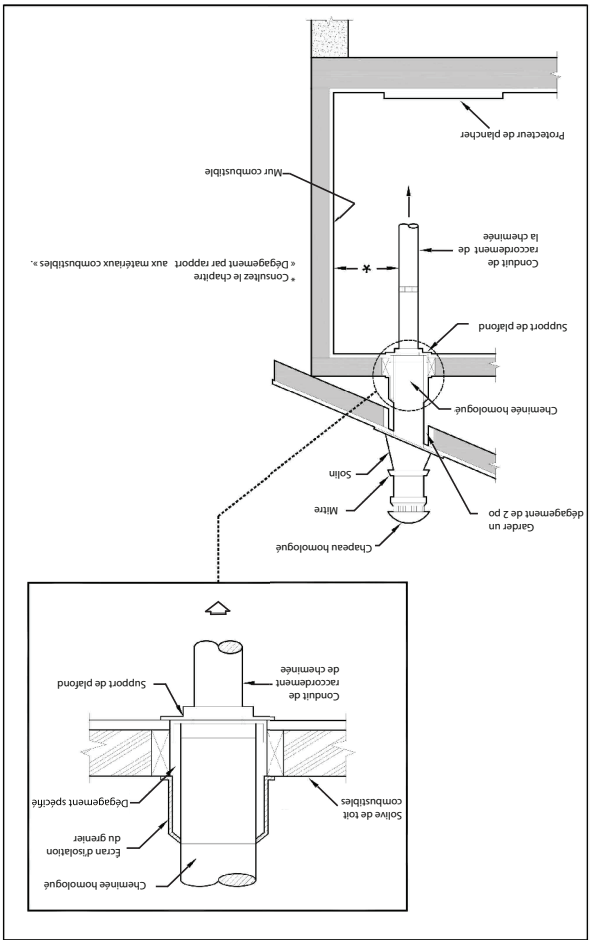
Le tuyau doit être court et droit. Toutes les sections installées à l'horizontale doivent avoir une pente d'au moins 1/4 po par pied et l'extrémité supérieure de la section doit être vers la cheminée. Toute installation horizontale d'un tuyau d'appareil de chauffage doit être conforme à la norme NFPA 211. Vous pouvez communiquer avec la NFPA (National Fire Protection Association) pour demander la plus récente version de la norme 211 de la NFPA. Pour assurer un bon tirage, la longueur totale du tuyau de l'appareil de chauffage ne doit jamais excéder 8 à 10 pi (2,4 à 3,04 m). (À l'exception des installations verticales, de style toit cathédrale où le système d'évacuation de la fumée peut être plus long et raccordé sans problème à la cheminée au niveau du plafond de la pièce.)

L'installation du système d'évacuation de la fumée ne doit pas comporter plus de deux coudes de 90 degrés. Il est interdit d'installer un « stabilisateur de tirage barométrique » (registre de cheminée) sur un système d'évacuation de la fumée.

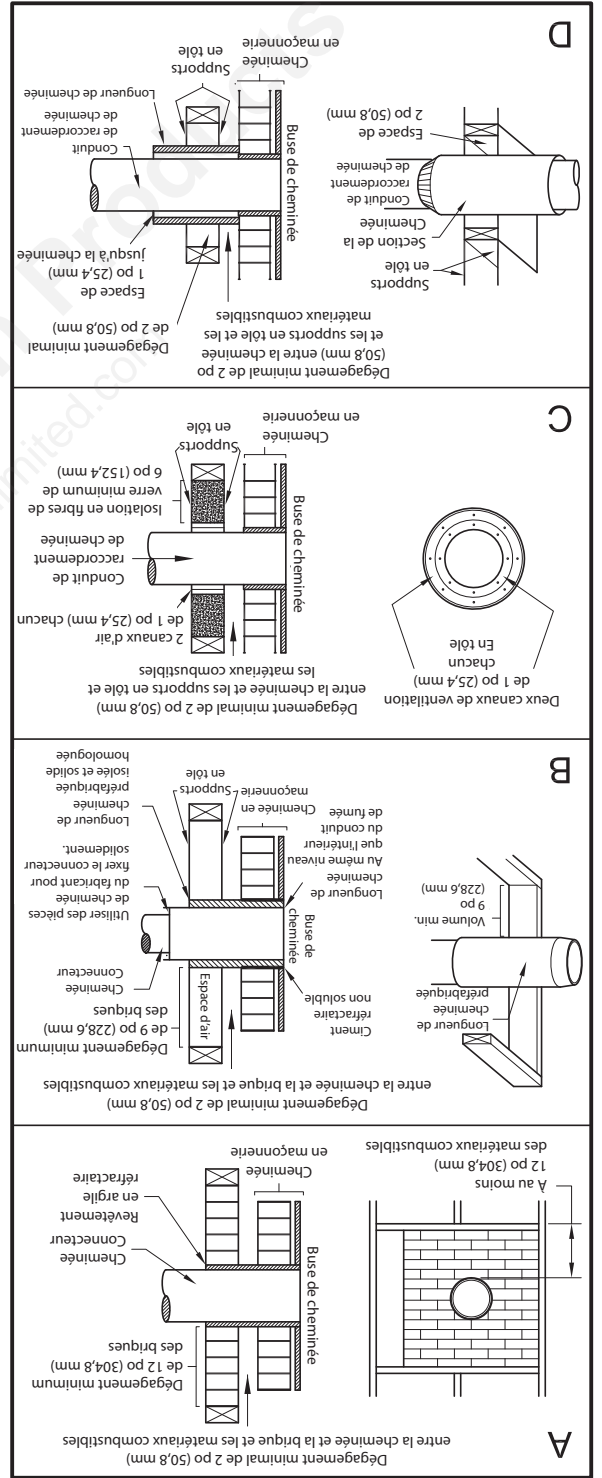
De plus, il n'est pas recommandé d'installer un registre de tirage. Pour les appareils de chauffage au bois à combustion contrôlée, le tirage est réglé lors de l'admission de l'air de combustion dans l'appareil de chauffage et non au niveau de l'échappement.

CHEMINÉE PRÉFABRIQUÉE

Les directives d'installation du fabricant doivent être observées lors de l'installation d'une cheminée préfabriquée en métal. Vous devez aussi acheter (auprès du même fabricant) et installer la trousse de fixation au plafond ou une trousse de passage dans les murs ou section en T, des coupe-feu (au besoin), des écrans d'isolation, du solin de toit, un couronnement appropriés par cheminée, etc. Respecter les dégagements appropriés par rapport à la structure tel que recommandé par le fabricant. La cheminée doit être à la hauteur exigée au-dessus du toit ou de toute obstruction afin d'assurer un fonctionnement sécuritaire et approprié du tirage.



PASSAGE DE RACCORDEMENT D'UNE CHEMINÉE DANS UN MUR COMBUSTIBLE



Méthode A. 304,8 mm (12 po) Dégagement par rapport à un élément de mur combustible: bâtir un passage mural à l'aide d'une brique d'une épaisseur minimale de 389 mm (3 1/2 po) et d'un boisseau en argile d'une épaisseur minimale de 15,9 mm (5/8 po). Le boisseau d'argile doit être conforme à la norme ASTM C315 (norme relative aux boisseaux en argile) ou une norme équivalente. Garder une maçonnerie en briques d'un minimum de 304,8 mm (12 po) entre le boisseau en argile et les combustibles muraux. Le boisseau en argile doit passer par la surface externe de la maçonnerie en briques à la surface interne du boisseau de cheminée sans dépasser la surface interne. Appliquer du coulis ou du ciment sur le boisseau en argile de sorte qu'il soit solidement en place sur le boisseau de cheminée.

Méthode B. 228,6 mm (9 po) Dégagement par rapport à un composant de mur combustible: à l'aide d'une section de cheminée préfabriquée Solid-Pak homologuée d'un diamètre interne de 152,4 mm (6 po) avec une isolation de 25,4 mm (1 po) ou plus, fabriquer un passage mural avec un espace d'air d'un minimum de 228,6 mm (9 po) entre la paroi externe de la section de cheminée et les combustibles muraux. Utiliser des supports en tôle solidement fixés aux surfaces murales de tous les côtés pour garder un espace d'air de 228,6 mm (9 po). Lors de la fixation des supports à la longueur de la cheminée, ne pas pénétrer le recouvrement de la cheminée interne de la cheminée de la cheminée Solid-Pak. L'extrémité interne de la section de cheminée Solid-Pak doit être au même niveau que la partie interne du conduit de cheminée en maçonnerie et scellée à l'aide de ciment réfractaire non soluble à l'eau. Utiliser le ciment pour sceller aussi la pénétration de la maçonnerie en briques.

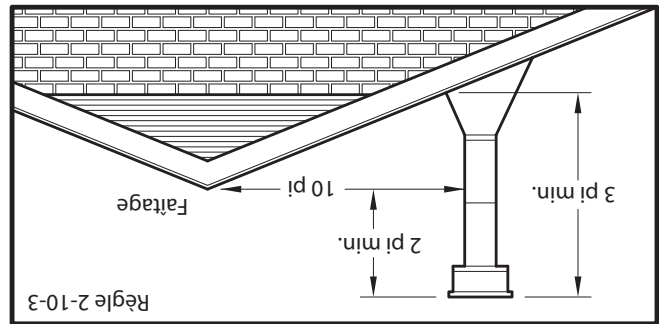
Méthode C. 152,4 mm (6 po) Dégagement par rapport à un composant de mur combustible: Bâtir un passage mural en commençant par un conduit de raccordement de cheminée en métal au minimum de calibre 24 (0,24 po [6,1 mm]) de 152,4 mm (6 po) et un manchon mural ventilé de calibre 24 au minimum dotés de deux canaux d'aération de 25,4 mm (1 po) chacun. Une zone de séparation minimum 152,4 mm (6 po) contenant une isolation en verre et un manchon mural ventilé de calibre 24 au minimum dotés de deux canaux d'aération de 25,4 mm (1 po) ou plus, et d'un diamètre interne de 8 po (2 po [51 mm] plus grand que le conduit de raccordement de la cheminée de 6 po [152,4 mm]). Utiliser cette section en tant que passage pour un conduit de raccordement en acier à paroi simple de calibre 24 au minimum. Garder la section Solid-Pak concentrée et espacée de 25,4 mm (1 po) du conduit de raccordement de la cheminée à l'aide de plaques de soutien en tôle aux deux extrémités de la section de la cheminée et soutenir une section de cheminée par les deux côtés à l'aide de supports en tôle de calibre 24 au minimum. S'assurer que les supports sont solidement fixés aux surfaces murales de tous les côtés. S'assurer que les attaches utilisées pour fixer le conduit de raccordement en métal de la cheminée n'entrent pas dans le boisseau de cheminée. Méthode D. 50,8 mm (2 po) Dégagement par rapport à un composant de mur combustible: commencer par une section de cheminée préfabriquée homologuée Solid-Pak d'au moins 304 mm (12 po) de longueur avec isolation de 25,4 mm (1 po) ou plus, et d'un diamètre interne de 8 po (2 po [51 mm] plus grand que le conduit de raccordement de la cheminée de 6 po [152,4 mm]). Utiliser cette section en tant que passage pour un conduit de raccordement en acier à paroi simple de calibre 24 au minimum. Garder un espace de 152,4 mm (6 po). Un autre support à la dimension appropriée doit être utilisé pour le conduit de raccordement en métal de la cheminée. S'assurer que les supports sont solidement fixés aux surfaces murales de tous les côtés. S'assurer que les attaches utilisées pour fixer le conduit de raccordement en métal de la cheminée n'entrent pas dans le boisseau de cheminée. Méthode D. 50,8 mm (2 po) Dégagement par rapport à un composant de mur combustible: commencer par une section de cheminée préfabriquée homologuée Solid-Pak d'au moins 304 mm (12 po) de longueur avec isolation de 25,4 mm (1 po) ou plus, et d'un diamètre interne de 8 po (2 po [51 mm] plus grand que le conduit de raccordement de la cheminée de 6 po [152,4 mm]). Utiliser cette section en tant que passage pour un conduit de raccordement en acier à paroi simple de calibre 24 au minimum. Garder un espace de 152,4 mm (6 po). Un autre support à la dimension appropriée doit être utilisé pour le conduit de raccordement en métal de la cheminée. S'assurer que les supports sont solidement fixés aux surfaces murales de tous les côtés. S'assurer que les attaches utilisées pour fixer le conduit de raccordement en métal de la cheminée n'entrent pas dans le boisseau de cheminée.

REMARQUES: Les conduits de raccordement à une cheminée en maçonnerie, à l'exception de la méthode B, doivent s'étendre en une section continue passant par le système de passage mural et la paroi de la cheminée, et non pas au-delà de la face interne du boisseau. Un conduit de raccordement de la cheminée ne doit pas passer par un grenier ou un vide sous toit, un placard ou autre espace fermé similaire, un plancher et un plafond.

CHEMINÉE

Installation De La Cheminée

Votre appareil de chauffage au bois peut être raccordé à une cheminée préfabriquée ou en maçonnerie qui correspond au diamètre de l'échappement du poêle. Si vous utilisez une cheminée préfabriquée, elle doit être conforme à la norme UL 103 ou CSA-B365; par conséquent, elle doit être du type HT (2 100 °F). Il est extrêmement important qu'elle soit installée selon les spécifications du fabricant. Si vous utilisez une cheminée en maçonnerie, il est important qu'elle soit construite selon les spécifications du Code national du bâtiment. Elle doit être revêtue de briques d'argile réfractaire, tuiles de métal ou d'argile scellées ensemble à l'aide de ciment réfractaire. (Les conduits ronds sont les plus efficaces.) Le diamètre interne du conduit de cheminée doit être identique au conduit d'évacuation des fumées de l'appareil de chauffage. Un conduit trop étroit peut causer des problèmes de tirage alors qu'un conduit trop large favorise le refroidissement du gaz et, ainsi, entraîne une accumulation de crésote et un risque d'incendie de cheminée. Veuillez prendre note que c'est la cheminée et non l'appareil de chauffage qui crée l'effet de tirage. Le rendement de votre appareil de chauffage est donc directement dépendant d'un tirage adéquat de la cheminée.



Ne pas relier cet appareil à un conduit de cheminée utilisé pour un autre appareil. Les recommandations suivantes peuvent s'appliquer lors de l'installation de la cheminée:

- Elle doit dépasser le toit d'au moins 0,9 m (3 pi) à partir du point de contact le plus élevé.
- La partie extérieure doit comporter un tuyau à paroi double ou triple pour assurer un bon tirage.
- La cheminée doit dépasser toute partie de la bâtisse ou toute obstruction d'une distance de 3,04 m (10 pi) et d'une hauteur de 0,6 m (2 pi).

- L'installation d'une cheminée intérieure est toujours préférable à une cheminée extérieure. La cheminée intérieure est plus chaude qu'une cheminée extérieure refroidie par l'air ambiant à l'extérieur de la maison. Par conséquent, le gaz qui circule est refroidi plus lentement, réduisant ainsi l'accumulation de crésote et les risques d'incendie de cheminée.

- Le tirage causé par la tendance de l'air chaud à monter est plus fort avec une cheminée intérieure.

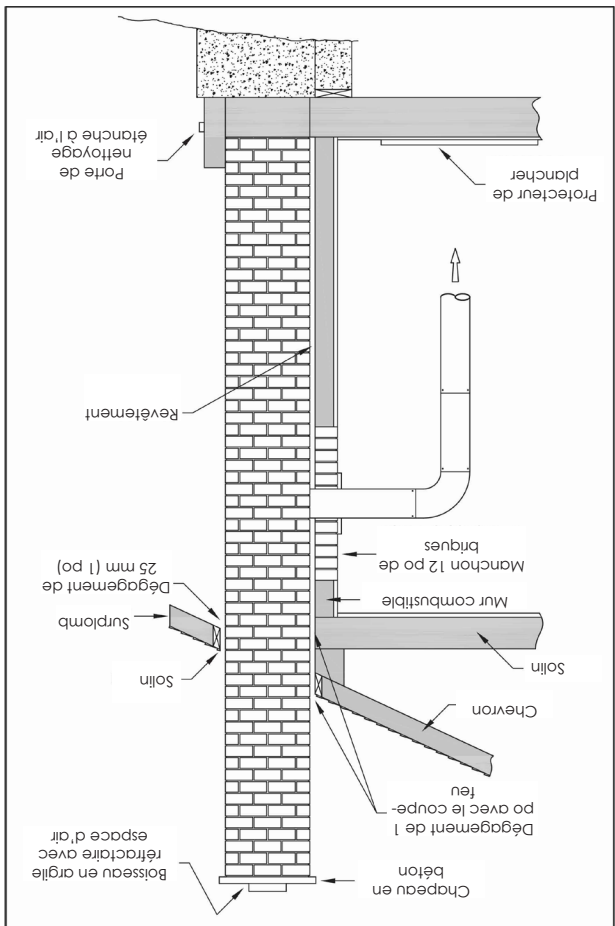
exige une inspection régulière afin de s'assurer qu'il n'est pas obstrué et qu'il ne bloque le tirage. Il doit être nettoyé régulièrement.

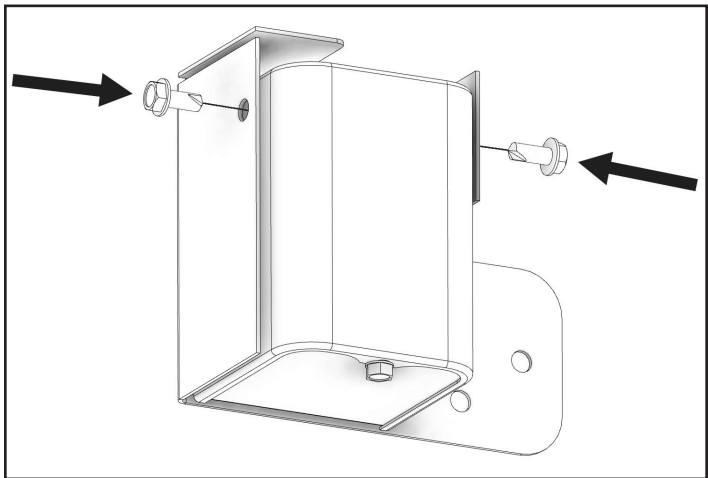
IMPORTANT D'UN TIRAGE ADEQUAT

Le tirage est une force déplaçant l'air de l'appareil vers la cheminée. La quantité de tirage dans votre cheminée dépend de sa longueur, son emplacement géographique local, les obstructions à proximité et autres facteurs. Trop de tirage peut causer des températures excessives dans l'appareil. Un tirage inadéquat peut causer des retours de fumée dans la pièce et causer l'obturation de la cheminée. Un tirage inadéquat causera des fuites de fumée par l'appareil dans la pièce, s'infiltrant par l'appareil, et les joints de raccordement. Un brûlage incontrôlable ou une température excessive indique un tirage excessif. Tenez compte de l'emplacement de la cheminée pour veiller à ce qu'elle ne soit pas trop près des voisins ou dans une vallée pouvant causer des conditions malsaines ou nuisibles.

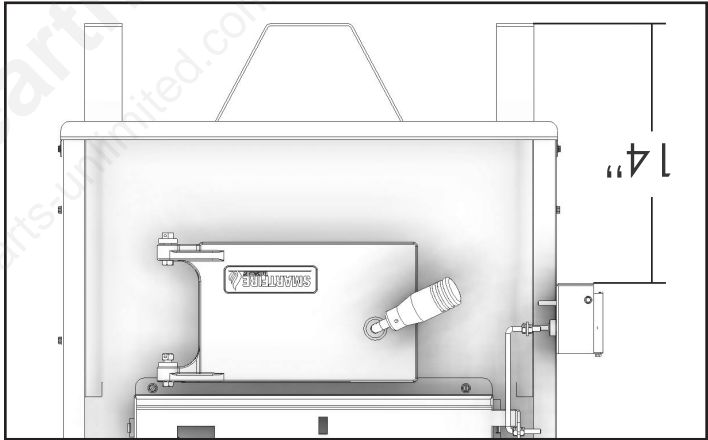
CHEMINÉE EN MACONNERIE

S'assurer que la cheminée en maçonnerie respecte les normes minimales de la National Fire Protection Association (NFPA) en la faisant inspecter par un professionnel. S'assurer qu'il n'y a pas de fissures, de mortier lâche ou d'autres signes de détérioration et d'obstruction. Faire nettoyer la cheminée avant l'installation ou l'utilisation de l'appareil de chauffage. Des méthodes spéciales sont requises lors du raccordement de l'appareil de chauffage à une cheminée en maçonnerie au travers d'un mur combustible tel qu'expliqué dans la section « Passage de raccordement à une cheminée au travers d'un mur combustible ».

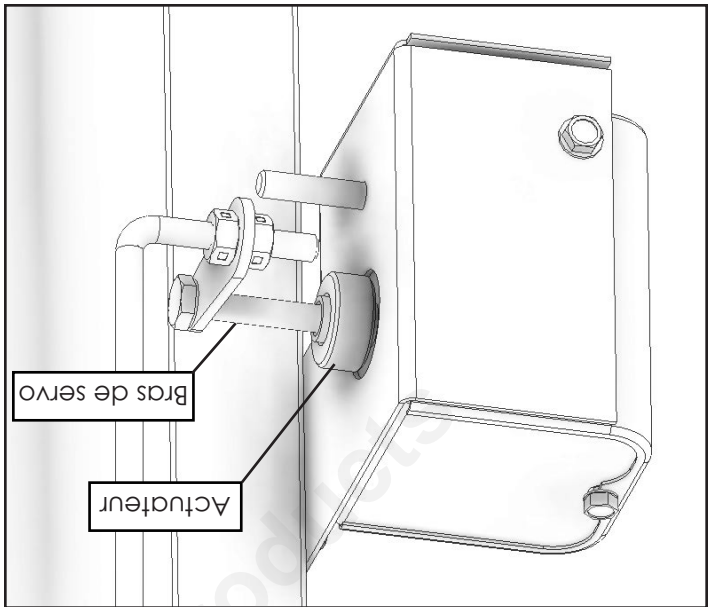




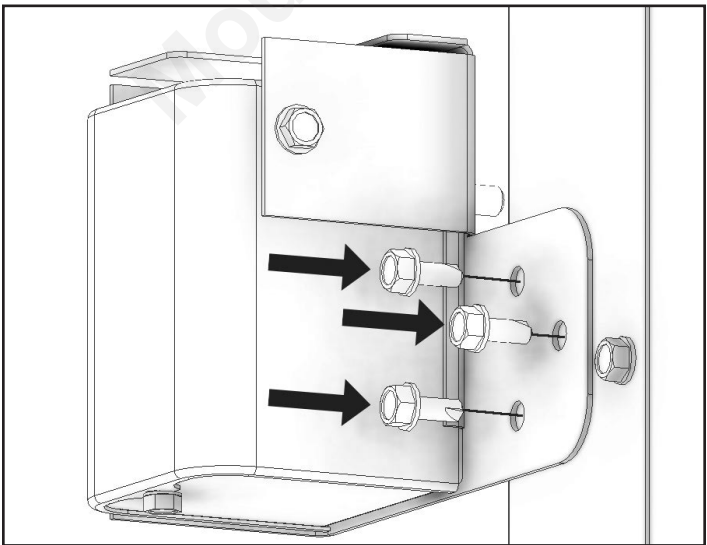
ÉTAPE 7
Fixez l'actionneur au support du servo à l'aide de deux (2) vis # 10 X .500. Assurez-vous que le support de servo affleure le haut de l'actionneur avant de le fixer.



ÉTAPE 8
Mesurez 14 " du sol au bas du support servo pour localiser le positionnement de l'actionneur.

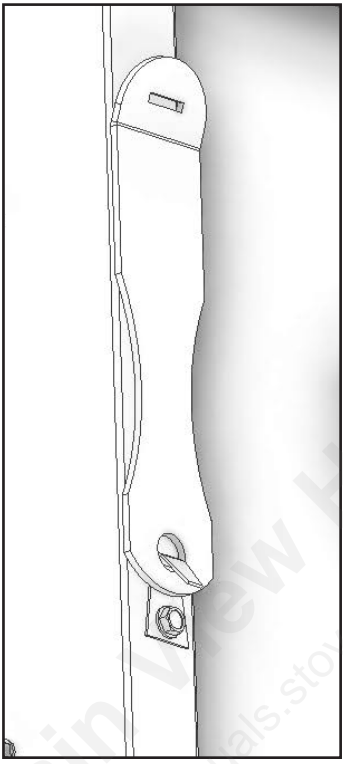
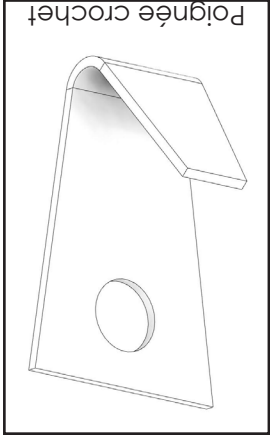


REMARQUE: Lorsque vous localisez la position de l'actionneur, insérez le bras d'asservissement dans l'actionneur comme indiqué.



Utilisez (3) trois vis # 10 x .500 pour fixer l'actionneur à l'unité.

ÉTAPE 8
Utilisez une vis autoperceuse pour fixer le crochet de la poignée sur le côté intérieur droit de l'unité.

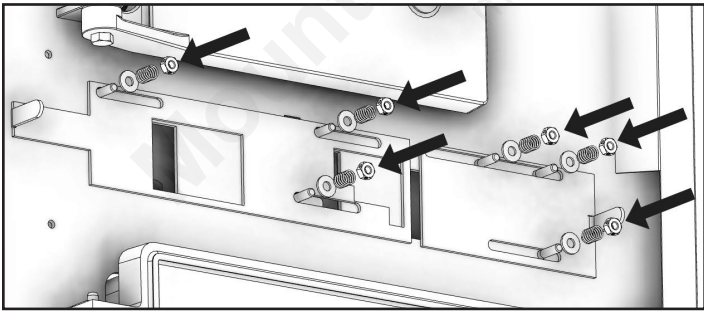


ATTENTION: Utilisez le "schéma de câblage du registre à commande thermostatique" pour terminer l'installation.

Installation D'amortisseur À Commande Thermostatique

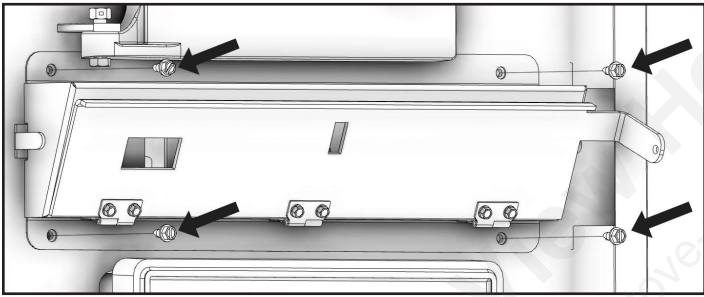
* LES RÉSIDENTS CANADIENS DOIVENT UTILISER CE KIT POUR L'INSTALLATION

Utilisez les six écrous de blocage, les ressorts et les rondelles six (6) précédemment retirés pour fixer les nouveaux glissières à air à votre unité. IMPORTANT: Les six (6) contre-écrous, ressorts et rondelles 1 / 4-20 doivent être installés dans le même ordre que celui où ils ont été retirés (d'abord la rondelle puis le ressort et le contre-écrou 1 / 4-20 tel qu'illustré) . NE PAS TROP SERRER. Les glissières d'air doivent pouvoir bouger librement.



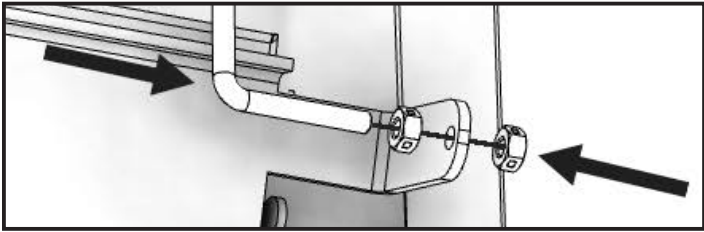
ÉTAPE 5

Utilisez les quatre (4) vis autotaraudeuses retirées précédemment (4) pour attacher la nouvelle soudure de l'amortisseur à l'unité comme indiqué.

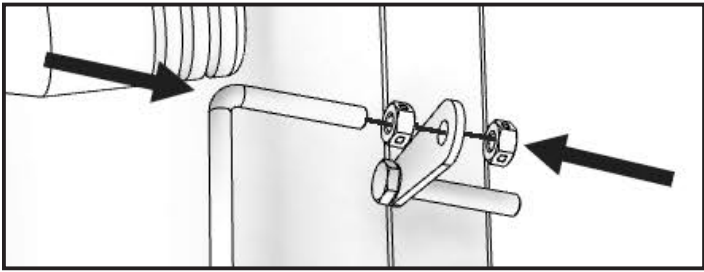


ÉTAPE 6

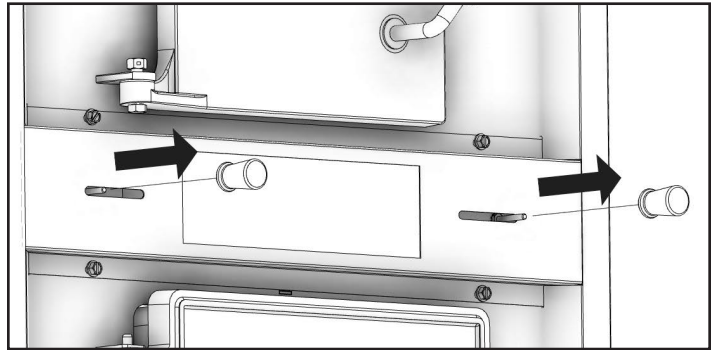
Attachez la tige de liaison à la soudure de l'amortisseur en utilisant (2) deux contre-écrous 1 / 4-20 comme illustré.



Attachez le bras du servo à la tige de liaison en utilisant (2) deux contre-écrous 1 / 4-20 comme illustré.

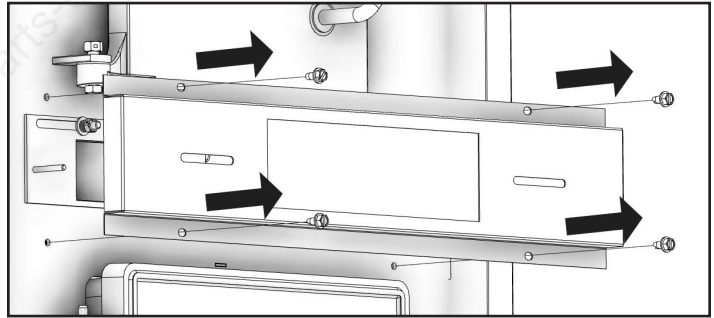


ÉTAPE 1
Dévissez et enlevez les deux boutons.



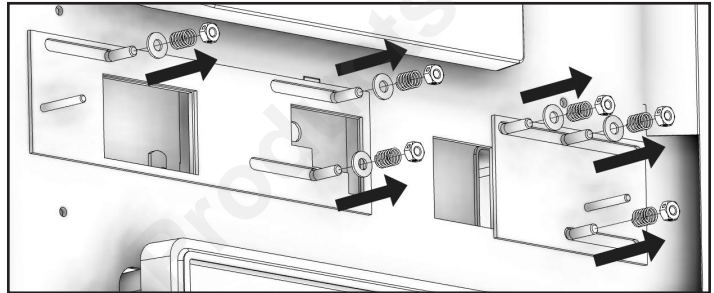
ÉTAPE 2

Retirez la soudure de l'amortisseur actuel. REMARQUE: Gardez les quatre (4) vis autotaraudeuses de 1 / 4-20 x 1/2, elles seront nécessaires pour les étapes suivantes.



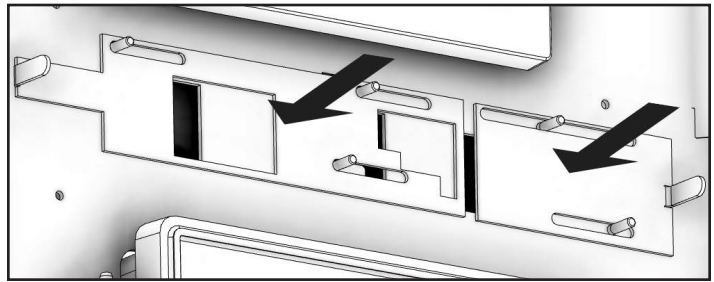
ÉTAPE 3

Retirer les six (6) contre-écrous, ressorts et rondelles de 1 / 4-20 et les mettre de côté. Retirez les deux plaques d'amortissement. REMARQUE: Conservez les six (6) écrous, ressorts et rondelles de 1 / 4-20, ils seront nécessaires pour les étapes suivantes.

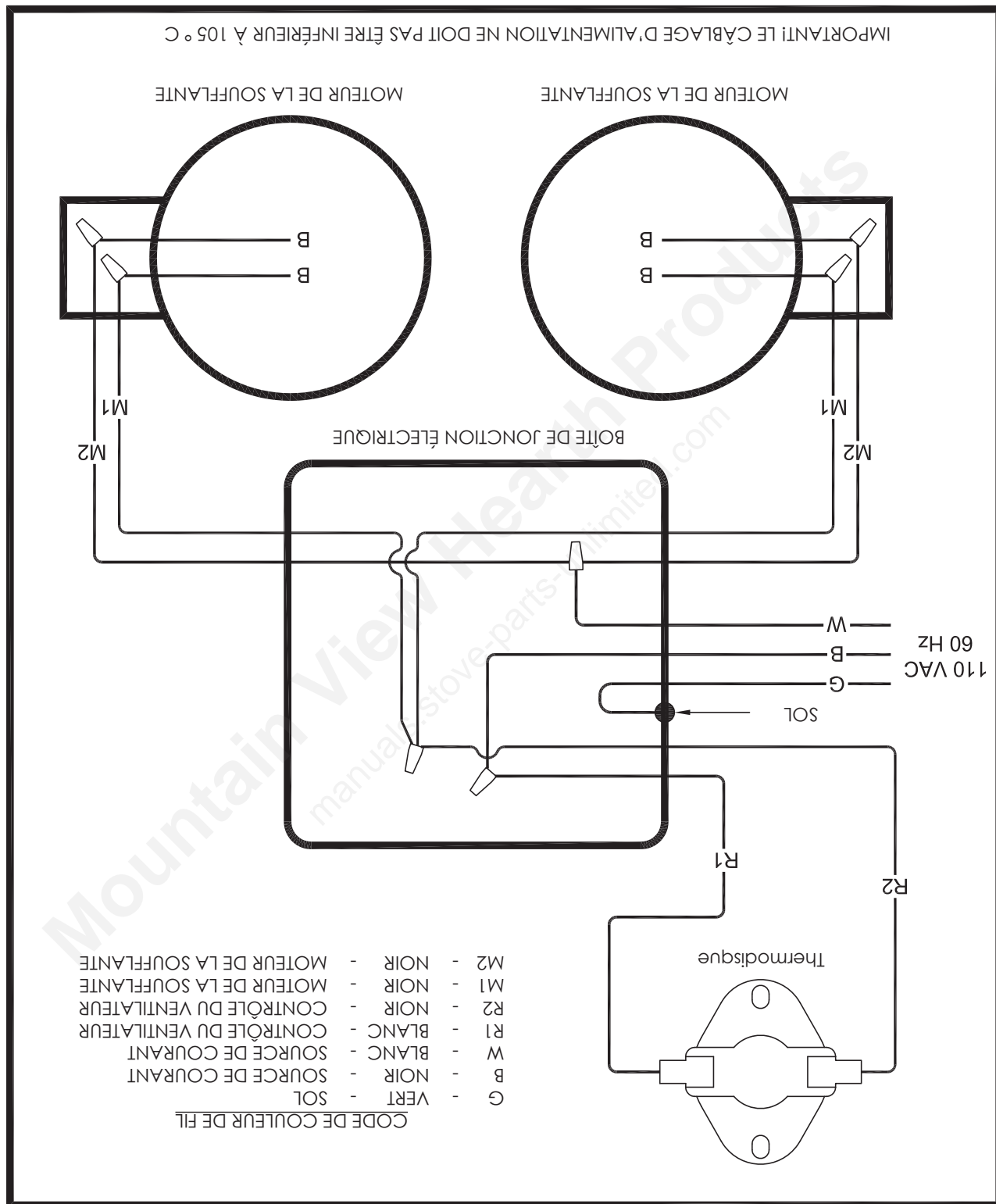


ÉTAPE 4

Faites glisser les deux nouvelles plaques d'amortissement en place comme indiqué.



REMARQUE: Les fils de la soufflante de distribution sont généralement DEUX NOIRS. Ne fait aucune différence qui conduit du moteur (s) se connecte aux fils correspondants sortant du conduit.



Toutes les connexions électriques doivent être effectuées par un électricien qualifié. Il est recommandé de brancher l'appareil de chauffage sur son propre circuit de 15 A 120 V de l'alimentation de la maison

Installation Électrique

Installation Des Accessoires

ASSEMBLAGE DU FOUR

Votre four a besoin des éléments suivants pour être assemblé ou installé par le technicien:

Soufflantes et commandes de soufflantes

Connexions électriques

1. Retirer toutes les pièces de l'intérieur de la fournaise et inspecter pour les dommages, y compris la brique réfractaire, car une rupture pourrait survenir pendant l'expédition.

2. Installez le thermostat à l'arrière de l'armoire de la fournaise avec les deux vis fournies. Montez l'ensemble de conduit de la boîte de jonction sur le support du thermostat. Serrez les deux bornes femelles à chacun des fils. Branchez les fils sur le thermostat. NOTE: Peu importe lequel des deux fils branche à quelle borne sur le thermostat.

3. Retirer les ventilateurs des cartons. Retirez le couvercle de la boîte de jonction. Fixer les écrous d'attache comme sur la figure. Installez la (les) soufflante (s) et le (s) joint (s) avec des boulons de 1/4" -20 x 3/4" tel qu'illustré.

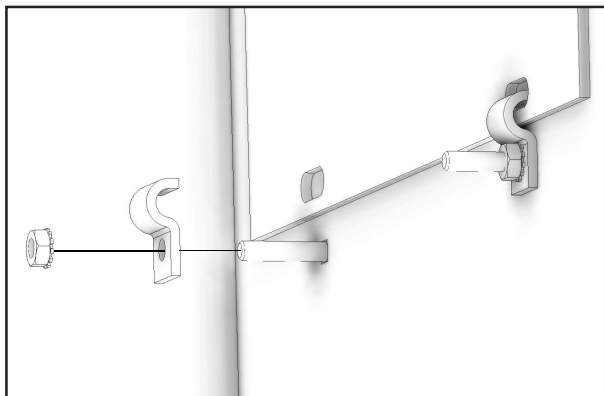
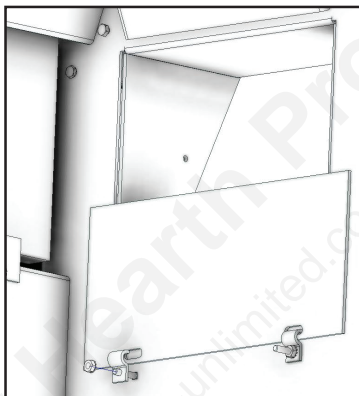
4. Raccordez d'abord la soufflante droite (voir le schéma de câblage) et remplacez le couvercle sur la boîte de jonction de la soufflante.

5. Câblez la soufflante gauche comme ci-dessus et remplacez le couvercle.

6. Vérifiez le fonctionnement des grilles à secousses avec la poignée de la grille avant d'utiliser le four.

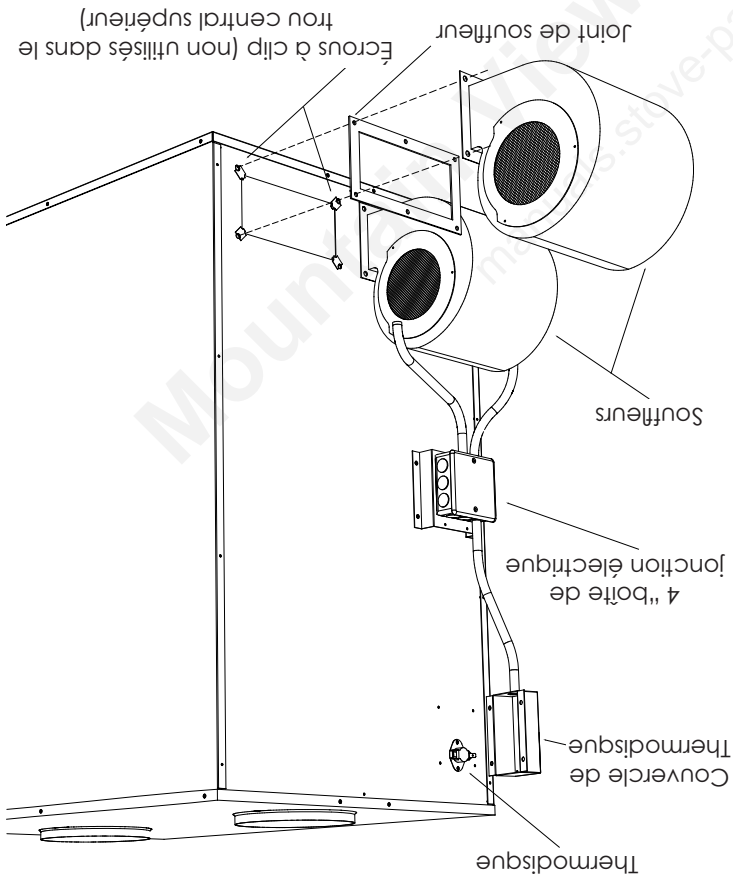
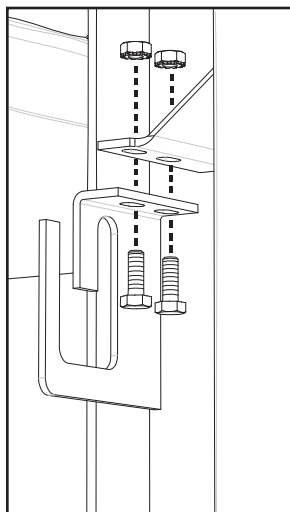
RIDEAU DE FUMÉE

À l'aide de deux boulons de carrosserie de 1 / 4-20 x 1-1 / 4 po, de deux attaches de rideau de fumée et de deux écrous, fixez le rideau de fumée au-dessus de la porte d'alimentation en carburant, tel qu'illustré. Après l'installation, le rideau de fumée devrait retourner librement dans le four.



INSTALLATION DU LOQUET DE PORTE

À l'aide de deux boulons hexagonaux de 1 / 4-20 x 3/4 chacun, fixez le loquet de la porte aux supports de fixation du loquet de porte sur le côté gauche des cadres de porte, comme illustré. Les fentes dans les supports et les loquets sont pour le réglage du joint de la porte. Faites les ajustements appropriés, puis serrez les écrous. Le joint de la porte doit être bien serré contre le cadre de la porte de la fournaise.



Thermodisque

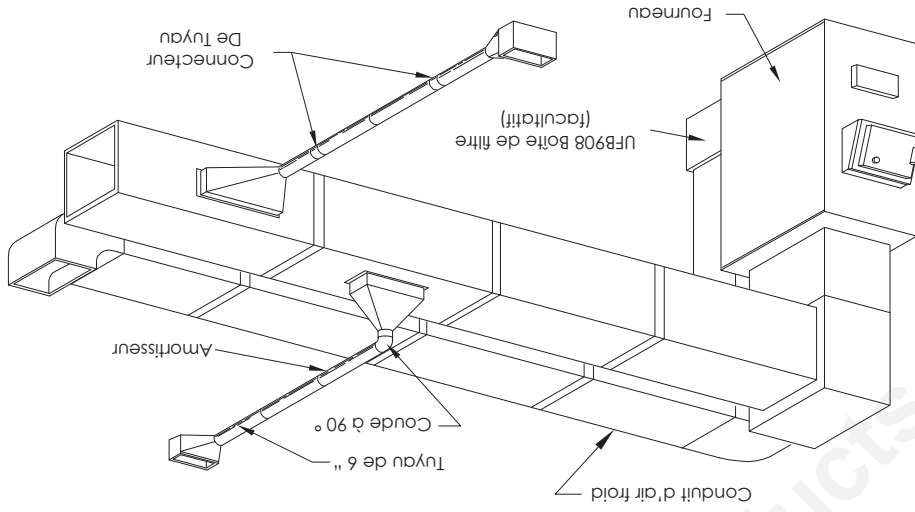
Couvercle de Thermodisque

4" boîte de jonction électrique

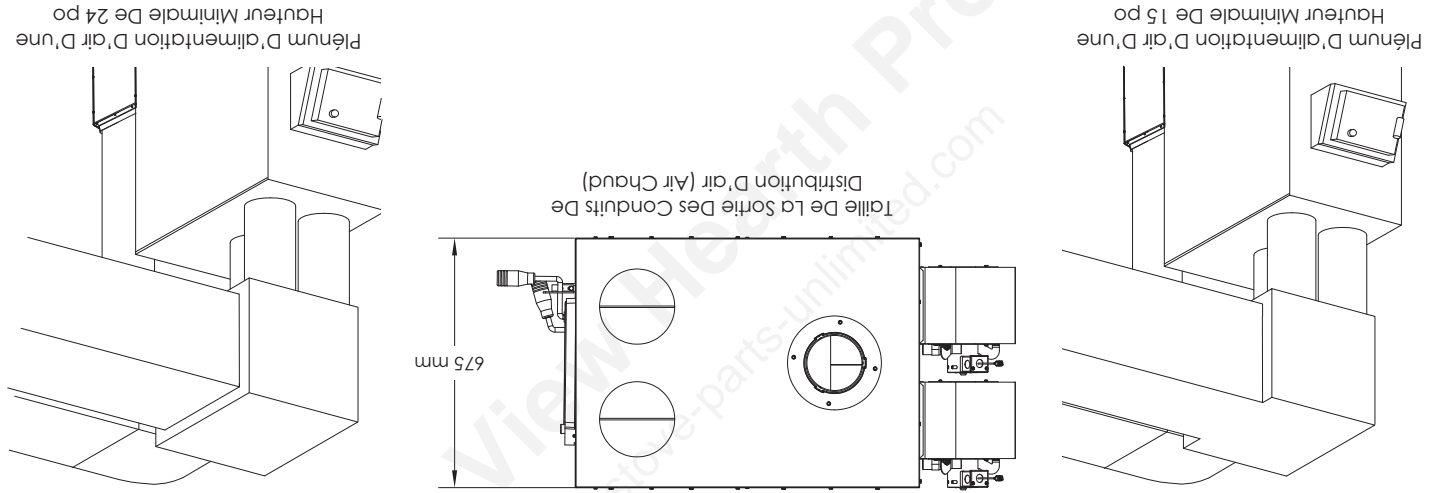
Souffleurs

Joint de souffleur

Écrous à clip (non utilisés dans le trou central supérieur)



Installation



Si cet appareil de chauffage est installé seul, assurez-vous que tous les codes locaux et toutes les instructions de ce manuel sont respectés, y compris les déagements recommandés par rapport aux matériaux combustibles, les spécifications en matières de protection du plancher et les avertissements de sécurité.

INSTALLATION AUTONOME

l'ensemble de soufflerie au moyen de vis à tôle.

La bouche de reprise d'air (frais) de l'appareil de chauffage est à l'arrière de l'appareil. Pour assurer un bon fonctionnement, les conduits doivent être fixés mécaniquement à l'appareil de chauffage ou à la boîte de

AIR DE REPRISE (AIR FRAIS)

Le conduit de distribution d'air chaud doit être fait de métal, conformément à la norme NFPA 90B, 2-1.1. Le plénum raccordé à l'appareil de chauffage doit être fait de métal, conformément à la norme NFPA 90B, 2-1.3. Lors de l'installation de cet appareil de chauffage, le plénum d'air chaud doit avoir une hauteur minimale de 24 po (610 mm) si le haut de la première section verticale n'est pas à la même hauteur que le haut de la première section horizontale de conduits d'air. Si le haut du plénum est au même niveau que le haut de la première section horizontale de conduits, alors la hauteur minimale est de 15 po (381 mm).

PLÉNUM D'ALIMENTATION D'AIR (AIR CHAUD)

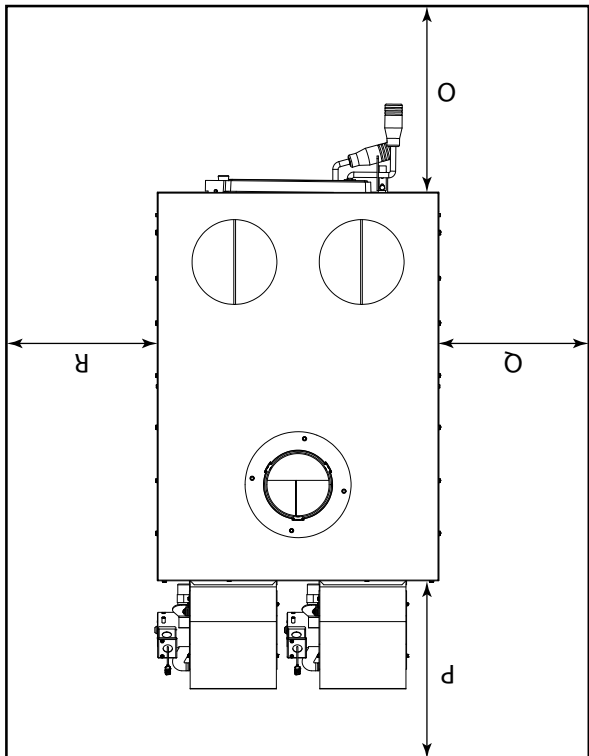
Ce four peut être installé de deux façons, en tant qu'unité autonome, ou en série avec un four existant.

d'installation la plus sûre et la plus efficace.

Nous recommandons fortement que les conduits d'air chaud soient installés par un spécialiste en système de chauffage. Si vous effectuez l'installation vous-même, avant de choisir l'installation qui convient le mieux à vos besoins, consultez un technicien en chauffage qualifié et suivez ses recommandations quant à la méthode

Installation Des Conduits

EXIGENCES RELATIVES AU PROTECTEUR DE PLANCHER



*Au Canada, l'installation nécessite 457 mm (18 po)

Dimension	En mm	En po
O	407	16
P	51	2
Q	204	8
R	204	8

L'appareil de chauffage doit être placé sur une surface en béton solide, en maçonnerie solide ou, lorsqu'il est installé sur un plancher combustible, sur un protecteur de plancher. Le protecteur de plancher est nécessaire pour fournir de la protection contre la chaleur, la braise et les cendres et doit être fait d'une surface solide continue non combustible afin d'assurer une protection contre les infiltrations de braise et de cendres. Si un tampon de sol est utilisé, il doit être homologué UL 1618 (protection de type 1) ou équivalent. Pour les protections de plancher homologuées UL, se référer aux instructions du fabricant pour les instructions d'installation. Reportez-vous aux instructions du fabricant du protecteur de plancher ou les instructions d'installation. Le protecteur de plancher ou le plancher non combustible doit s'étendre sous l'appareil de chauffage et de chaque côté, tel qu'illustré.

PROTECTEUR DE PLANCHER

Dimensions		En mm	En po
K	Dégagement pour l'entretien (avant)	610	24
L	Dégagement pour l'entretien (gauche)	610	24
M	Dégagement pour l'entretien (droite)	610	24
N	Dégagement pour l'entretien (arrière)	915	36

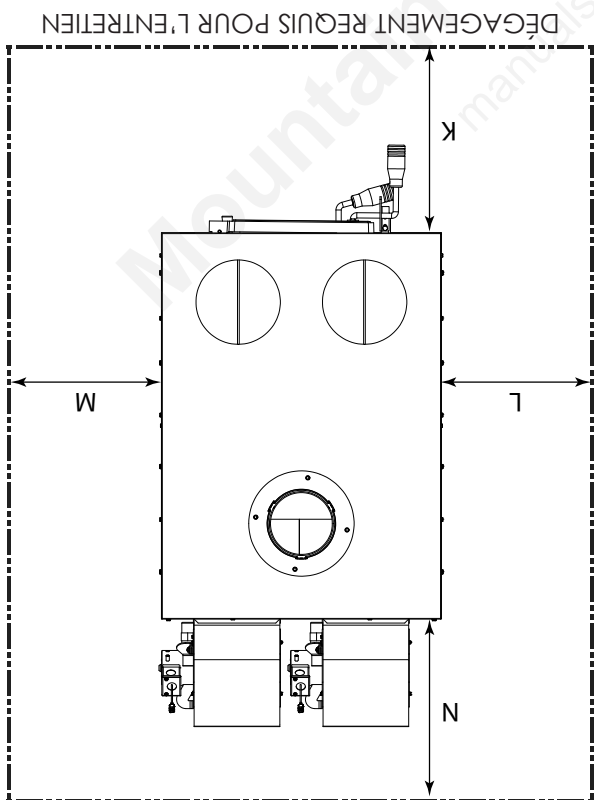
Appareil avec ensemble de soufflerie

Dimensions		En mm	En po
K	Dégagement pour l'entretien (avant)	610	24
L	Dégagement pour l'entretien (gauche)	254	10
M	Dégagement pour l'entretien (droite)	254	10
N	Dégagement pour l'entretien (arrière)	737	29

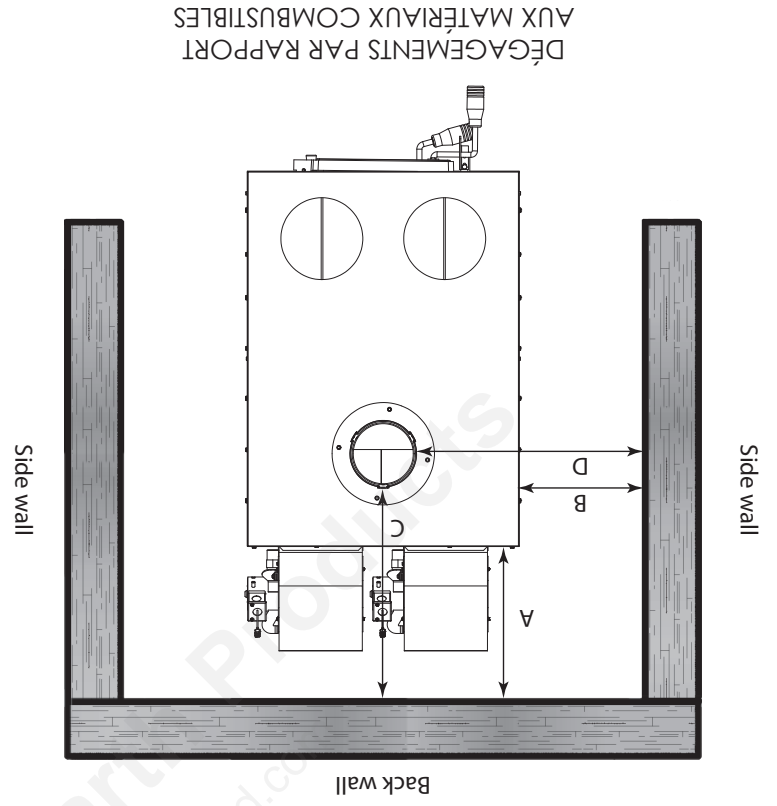
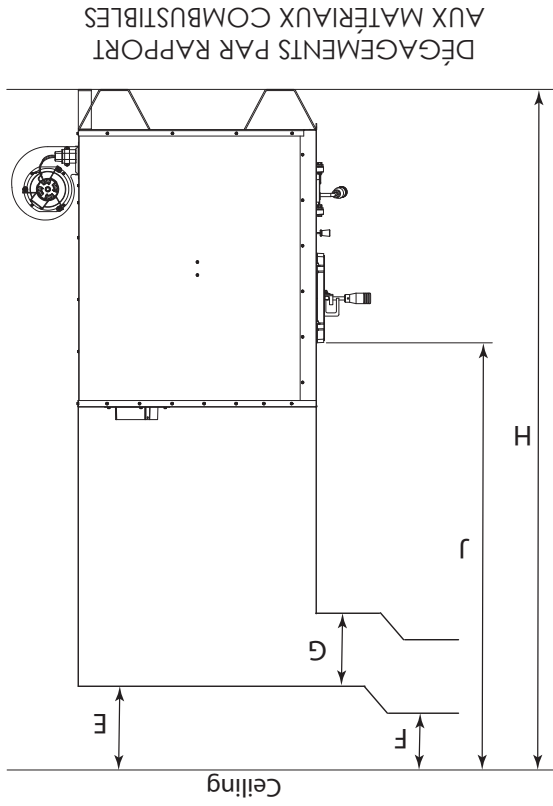
Appareil standard (aucun ensemble complémentaire)

Votre appareil de chauffage fait l'objet de certaines exigences relatives aux dégagements minimums recommandés pour l'entretien. Ces dégagements assurent qu'il y a suffisamment d'espace pour effectuer l'entretien et la réparation de votre appareil de chauffage. Ne pas entreposer le carburant dans l'espace de dégagement spécifié. Les dégagements varient selon les ensembles complémentaires installés avec l'appareil de chauffage. Voir les tableaux et le diagramme ci-dessous pour déterminer les dégagements requis pour votre appareil de chauffage.

DÉGAGEMENTS REQUIS POUR L'ENTRETIEN



DÉGAGEMENT REQUIS POUR L'ENTRETIEN



Dimension	En mm	En po
A	432	17
B	305	12
C	585	23
D	571	22.5
E	153	6
F	26	1
G	153	6
H	2134	84
J	1220	48
*	610	24

Le point le plus proche du zéro

Haut de la porte au plafond

Ceiling Height to Floor

Hauteur minimale du conduit

Conduit de distribution d'air (après les 6 premiers pieds)

Conduit de distribution d'air (6 premiers pieds)

Entre le mur adjacent et le conduit de fumée

Entre le mur arrière et le conduit de fumée

Entre le mur latéral et l'appareil de chauffage

Entre le mur arrière et l'appareil de chauffage

Dimension

CHOIX DE L'EMPLACEMENT DE L'APPAREIL DE CHAUFFAGE (VEILLER À MAINTENIR LES DÉGAGEMENTS REQUIS POUR L'ENTRETIEN)

L'installation de cet appareil de chauffage comprend la fourniture d'une alimentation, de conduits de reprise d'air (air frais) et de conduits d'arrivée d'air. Ce four peut être installé comme un four à bois autonome. Voir la section sur l'installation d'ensembles de ce manuel et de celui fourni avec votre ensemble pour vous assurer de l'assemblage, de l'installation adéquate et de l'utilisation adéquats de votre nouvel appareil de chauffage. En cas d'installation dans une zone avec ventilateur, il ne faut pas qu'une pression négative soit créée dans la pièce où l'appareil de chauffage est installé.

OPTIONS D'INSTALLATION

INSTALLATION DE L'APPAREIL DE CHAUFFAGE

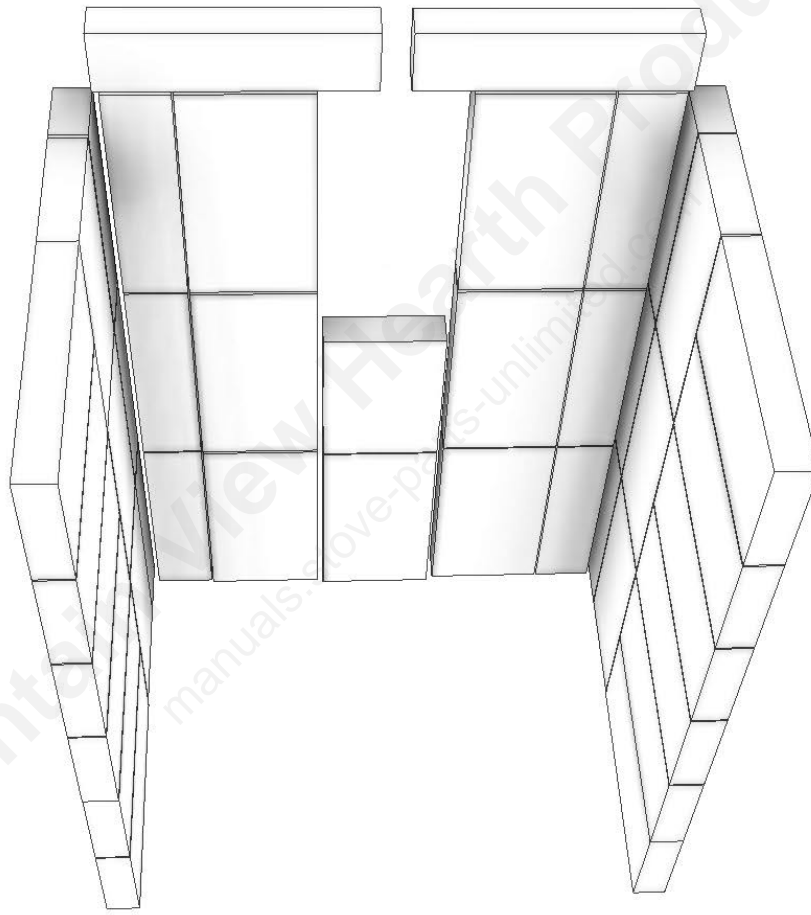
Déballage Et Préassemblage

DÉBALLAGE

1. Retirez tous les éléments d'emballage de l'appareil de chauffage.
2. Retirez les outils et les pièces fournis de l'appareil de chauffage.

ALIGNEMENT DES BRIQUES

Vérifiez l'absence de dommages. Assurez-vous que les briques et la grille à cendre sont correctement positionnées et non endommagées (reportez-vous à l'illustration pour voir la disposition appropriée des briques).



ALIGNEMENT APPROPRIÉ DES BRIQUES RÉFRACTAIRES

OUTILS ET MATÉRIAUX NÉCESSAIRES POUR L'INSTALLATION

- La liste suivante est une liste des outils et des matériaux nécessaires à l'installation de votre appareil de chauffage.
- Clé à douilles de 7/16 po.
 - Douille de 5/16 po (utilisez idéalement une perceuse électrique et un adaptateur à douilles).
 - Pince ou pince multiprise ordinaire.
 - Perceuse électrique avec mèche de 1/8 po pour la pose des vis à tôle dans le tuyau de raccordement.
 - Vis à tôle.
 - Protecteur de plancher non combustible, tel que spécifié dans ce manuel.
 - Tous les composants de cheminée et de raccordement à la cheminée requis pour l'installation propre à votre système d'évent.
 - Outils et fournitures pour le câblage électrique.
 - Conduits d'arrivée et de reprise d'air.

- Ne pas relier cet appareil à un conduit de cheminée utilisé pour un autre appareil.
- Danger: Risque d'incendie ou d'explosion. Ne pas brûler d'ordures, d'essence, de naphtha, d'huile de vidange ou d'autres matériaux inappropriés. Ne pas utiliser de produits chimiques ou de fluides pour allumer le feu.
- Avertissement: Risque d'incendie. Ne pas faire fonctionner si le courant d'air de la cheminée dépasse 0,06 po/1,473 CE. Ne pas faire fonctionner si la porte de chargement du combustible et celle du bac à cendres sont ouvertes. Ne pas entreposer de carburant ou d'autres matériaux combustibles dans l'espace de dégagement indiqué. Inspecter et nettoyer les conduits de fumée et la cheminée régulièrement.
- Mise en garde: Surfaces chaudes. Ne pas laisser les enfants s'approcher de l'appareil. Ne pas toucher pendant le fonctionnement.
- L'échangeur de chaleur, le conduit de fumée et la cheminée doivent être nettoyés régulièrement pour enlever la créosote et les cendres accumulées. Veiller à ce que l'échangeur de chaleur, le conduit de fumée et la cheminée soient nettoyés à la fin de la saison de chauffage afin de minimiser la corrosion pendant les mois d'été. L'appareil, le conduit de fumée et la cheminée doivent être maintenus en bon état. Ces instructions s'appliquent également au ventilateur à tirage induit si utilisé. Pour éviter tout déversement de flammes ou de fumée, le défecteur doit être retiré et la porte de chargement du combustible doit être laissée entrouverte pendant 10 secondes avant de l'ouvrir complètement. Charger le carburant avec précaution, pour éviter tout dommage. Pour les installations canadiennes - ne doit pas être raccordé à un réseau de conduits qui est toujours raccordé à un autre appareil de chauffage.
- Chaud lors du fonctionnement. Garder les enfants, les vêtements et les meubles éloignés de l'appareil. Un contact peut causer des brûlures à la peau.
- Ne pas utiliser de produits chimiques ou de fluides pour allumer le feu.
- Ne jamais laisser l'appareil de chauffage sans surveillance lorsque la porte est ouverte, même légèrement. Ne pas brûler de déchets ou de liquides inflammables comme de l'essence, du naphtha ou de l'huile à moteur.
- Toujours refermer la porte après l'allumage.
- Communiquer avec les responsables locaux de la construction ou de l'incendie au sujet des permis, des restrictions et des exigences d'installation de votre région.
- INSPECTER RÉGULIÈREMENT LES TUYAUX DE FUMÉE DE COMBUSTION, LES JOINTS DE CONDUIT DE FUMÉE ET JOINTS D'ÉTANCHÉITÉ DES TUYAUX DE FUMÉE DE COMBUSTION POUR VEILLER À CE QUE LA FUMÉE ET LES GAZ DE COMBUSTION NE SOIENT PAS ASPIRÉS PAR LE SYSTÈME DE CIRCULATION D'AIR ET RÉDISTRIBUÉS DANS L'AIR. MISE EN GARDE: LE NETTOYAGE DE L'ÉCHANGEUR DE CHALEUR, DU CONDUIT DE FUMÉE ET DU VENTILATEUR À TIRAGE INDUIT, SI UTILISÉ, EST PARTICULIÈREMENT IMPORTANT À LA FIN DE LA SAISON DE CHAUFFAGE AFIN DE MINIMISER LA CORROSION PENDANT LES MOIS D'ÉTÉ, CAUSÉE PAR L'ACCUMULATION DE CENDRES.
- MISE EN GARDE: Ne faites pas fonctionner la fournaise avec l'alimentation déconnectée de l'appareil.

Sécurité

Caractéristiques Techniques

FÉLICITATIONS !

Vous avez acheté un appareil de chauffage auprès du plus ancien fabricant de produits de chauffage au bois. En utilisant du bois pour le chauffage, vous contribuez à ÉCONOMISER DE L'ÉNERGIE ! Le bois est notre seule ressource d'énergie renouvelable. Veuillez faire votre part afin de préserver nos ressources en bois. Veuillez planter au moins un arbre par année. Les générations futures vous en remercieront.

Combustible:	Bois
Diamètre du conduit de fumée:	153cm (6 po)
Type du conduit de fumée: (À paroi simple ou à paroi double standard):	Acier noir ou bleu! 2100 °F (650 °C) Classe A
Hauteur minimale de la cheminée:	12'
Longueur maximale des bûches:	712 mm (28 po)
Composants électriques:	120V, 60Hz, 10A par soufflante
Dimensions	
Chambre de combustion: Largeur x profondeur:	442 mm x 719 mm (17,4 po x 28,3 po)
Volume: Pieds cubes:	6,27 pi. cu.
Ouverture de porte: Largeur x Hauteur:	321 mm x 318 mm (12,625 po x 12,5 po)
Poids (lb):	509

Ce manuel décrit l'installation et le fonctionnement du poêle à bois Clayton, 1661E. Cet appareil de chauffage est conforme aux limites d'émission de l'Environmental Protection Agency des États-Unis pour le chauffage au bois vendues après le 15 mai 2016. Dans des conditions d'essai EPA spécifiques, il a été démontré que cet appareil fournissait de la chaleur de 33,438 à 77,456 BTU / h. Ce réchauffeur atteint un taux d'émission de particules de 0,305 lb / mmbTU lorsqu'il a été testé selon la méthode CSA B415.1-10 (* et un rendement global de 61,9%). La puissance thermique maximale de cet appareil a été testée à 104 720 BTU / h.



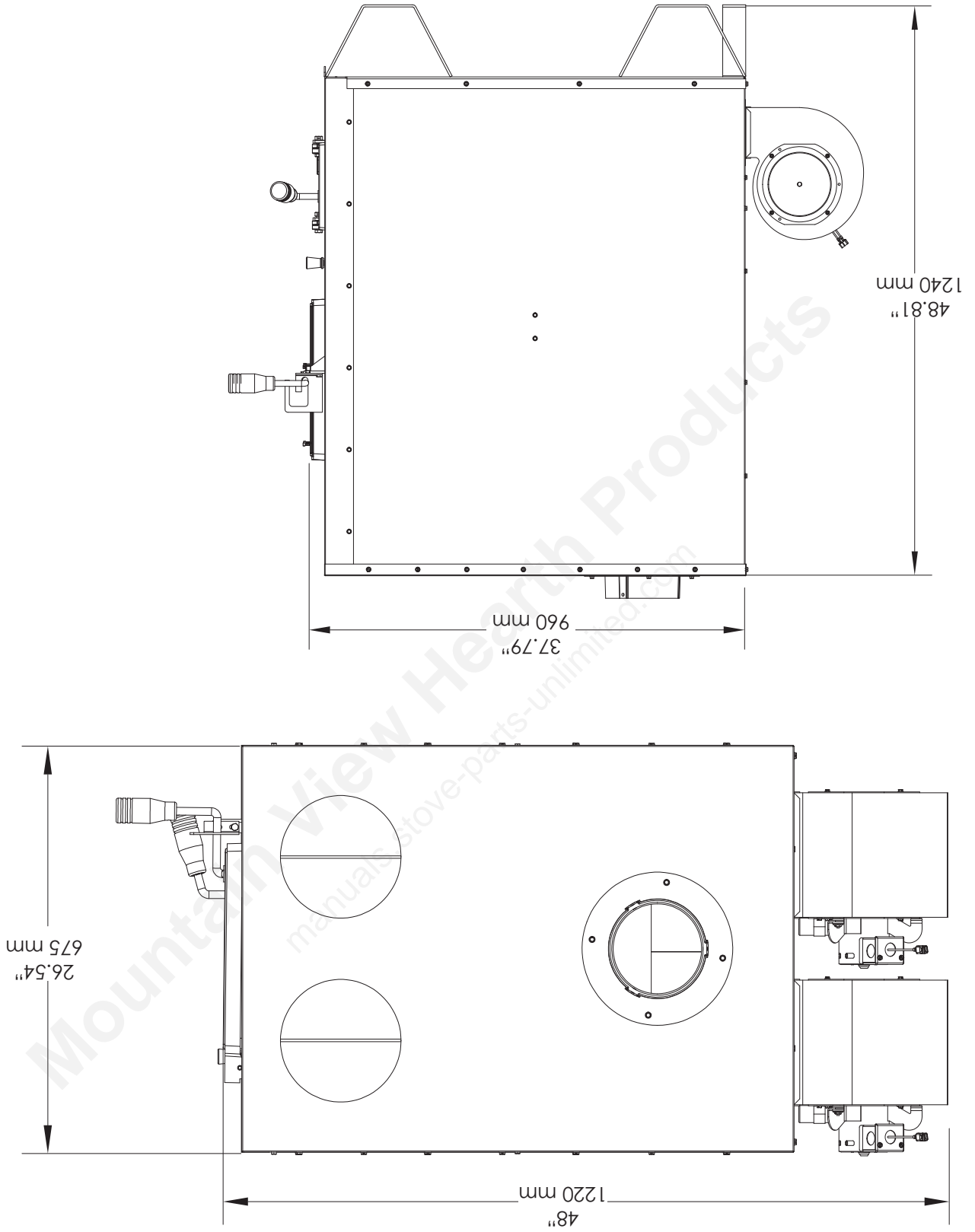
Ce poêle à bois a un taux de combustion minimum défini par le fabricant qui ne doit pas être modifié. Il est contraire à la réglementation fédérale de modifier ce réglage ou de faire fonctionner ce poêle à bois d'une manière non conforme aux instructions d'utilisation de ce manuel.

Le fonctionnement de ce poêle à bois d'une manière incompatible avec le manuel du propriétaire annulera votre garantie et sera également contraire aux règlements fédéraux.

Cet appareil de chauffage est conçu pour brûler du bois naturel seulement. Des rendements plus élevés et des émissions plus faibles résultent généralement lors de la combustion de bois durs séchés à l'air, par rapport aux résineux ou aux bois durs verts ou fraîchement coupés.

Ce poêle à bois a besoin d'une inspection et d'une réparation périodiques pour fonctionner correctement. Il est contraire à la réglementation fédérale d'utiliser ce poêle à bois d'une manière non conforme aux instructions d'utilisation de ce manuel.

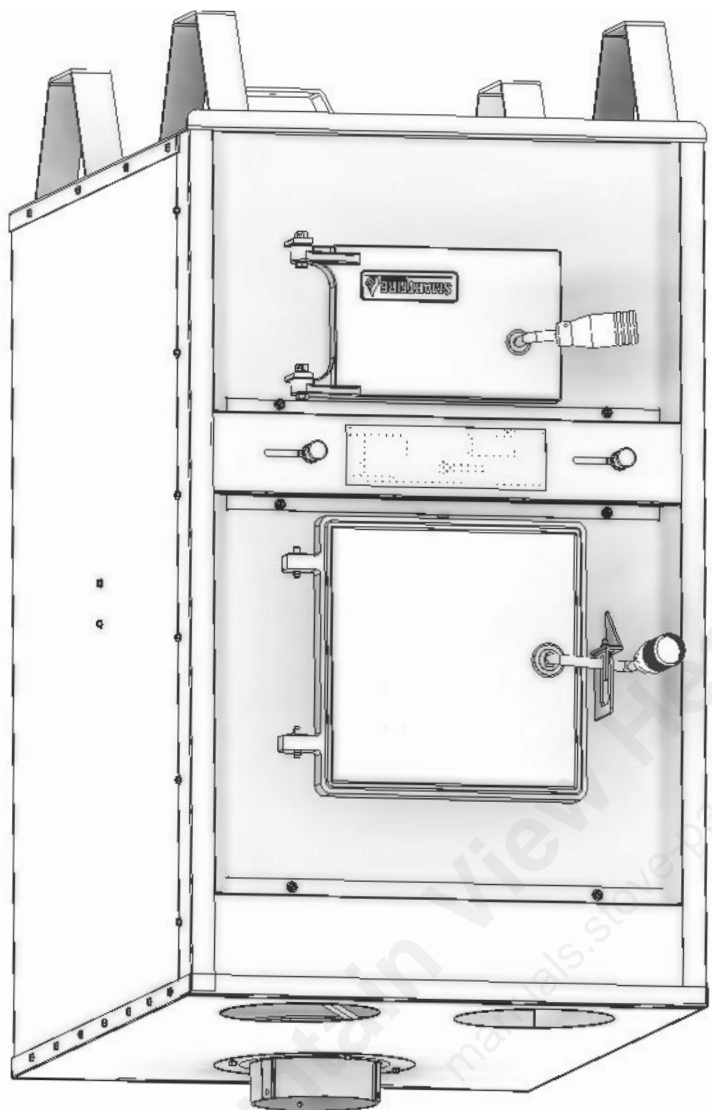
Remarque: Enregistrez votre produit en ligne à www.usstove.com. Section «Garantie limitée» pour obtenir des informations de garantie spécifique pour votre nouvel achat. Voir. Conservez votre reçu avec vos dossiers pour toute réclamation.



- La source d'alimentation n'est pas contrôlée par le sectionneur principal de l'appareil de chauffage.
- Respectez tous les codes locaux et nationaux lors de l'installation de cet appareil.
- Cet appareil ne doit pas être raccordé à un conduit de cheminée desservant un autre appareil.
- Cet appareil est conçu pour brûler du bois dur uniquement.

MISE EN GARDE:

United States Stove Company
227 Industrial Park Rd.
South Pittsburg, TN 37380



NE PAS UTILISER DANS UNE MAISON MOBILE

L'installation doit être effectuée par un installateur qualifié.
CONSERVEZ CES INSTRUCTIONS

U.S. ENVIRONMENTAL PROTECTION AGENCY
Certified to comply with the 2017 particulate emission standards. Not approved for sale after May 15, 2020

Conforme à UL 391 (R2014) et conforme à la norme CAN / CSA-B366.1 (R2015) avec le kit d'amortisseur à commande thermostatique installé

Report No: 0215WH0805.REV001



Manuel d'installation et d'utilisation du propriétaire Modèle 1661E

