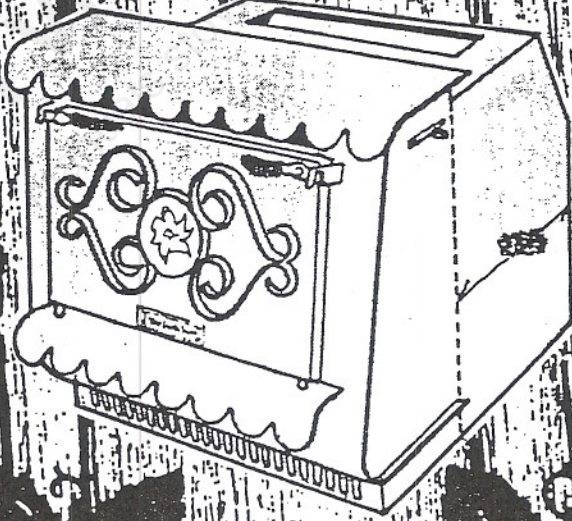


The Earth Stove®

**INSTRUCTION
BOOK**

**The Earth Stove
COLONY HEARTH**



You are now the proud owner of a Colony Hearth! May we offer the following suggestions on its installation and operation.

CONDENSED SAFETY ADVICE — Please Read Carefully

1. Installation of this unit must comply with local codes. A building or installation permit is required for the installation of any heating device in almost every area of the country. Be sure to check with your local building authority or fire department before installing.
2. Burning any kind of fuel uses oxygen from the room air. Be sure that you allow adequate source of fresh air into the room while the stove is operating.
3. This stove is designed for burning wood. The use of charcoal or artificial logs is not recommended.
4. This unit is designed for use in an approved masonry construction fireplace only (not designed for use in zero clearance or prefabricated fireplaces).
5. **NEVER USE FLAMMABLE LIQUIDS TO START A FIRE. NEVER STORE FLAMMABLE LIQUIDS NEAR THE INSERT.**
6. This unit is **HOT** when burning properly and will set things like clothing and curtains on fire if they touch it. Keep anything flammable away from the stove. Wet clothing will dry out fast and **BURN** if placed too close to the surfaces of the stove.
7. **DO NOT ALLOW** children to play around the stove without supervision. **DO NOT TOUCH** the stove while it is in operation, as it will sometimes be hot enough to burn the skin seriously.
8. **DO NOT ALLOW** anyone to operate the stove who is not familiar with the operating instructions.

RECOMMENDED CLEARANCES

1. Clearances to either side along the fireplace from combustibles mounted

flush with the fireplace will be nine (9) inches.

2. Clearances to combustibles in front of the unit at the extended hearth level will be six (6) inches.
3. Clearances from the top of the unit of a combustible mantel extending eight (8) inches out from the fireplace front will be nineteen (19) inches.
4. Clearances to combustible materials mounted flush at the top of the fireplace front will be seventeen (17) inches from the top of the insert. The combustibles mounted flush to the fireplace front will be a maximum of three-quarter ($\frac{3}{4}$) inch thick.
5. A non-combustible hearth extension, at least one (1) inch thick and forty-eight (48) inches wide should extend at least ten (10) inches in front of the stove and cover the floor or carpet.

PREPARATION FOR INSTALLATION

1. Make sure that the inside dimensions of the fireplace, firebox are at least the following: (See figure A)

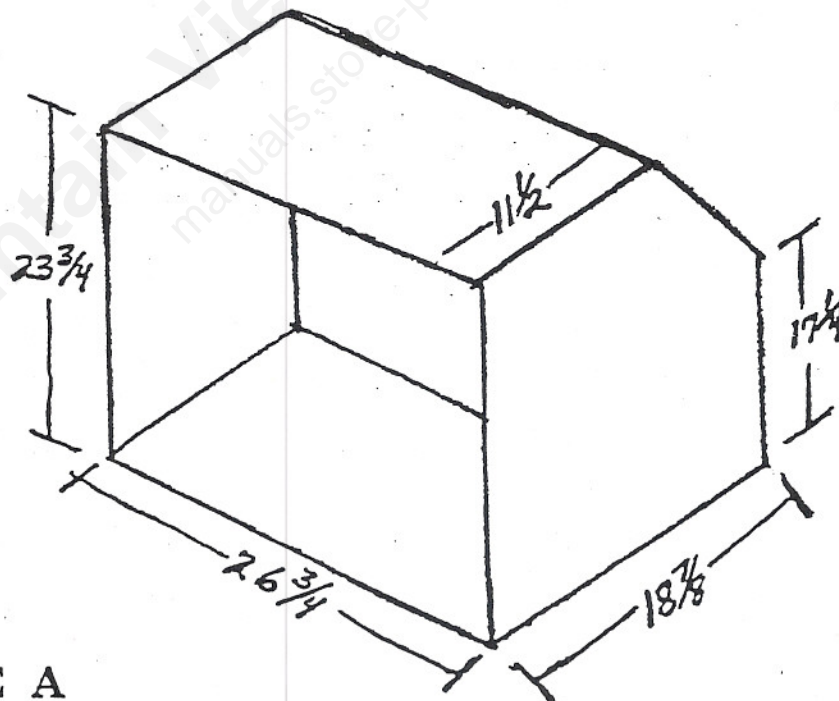


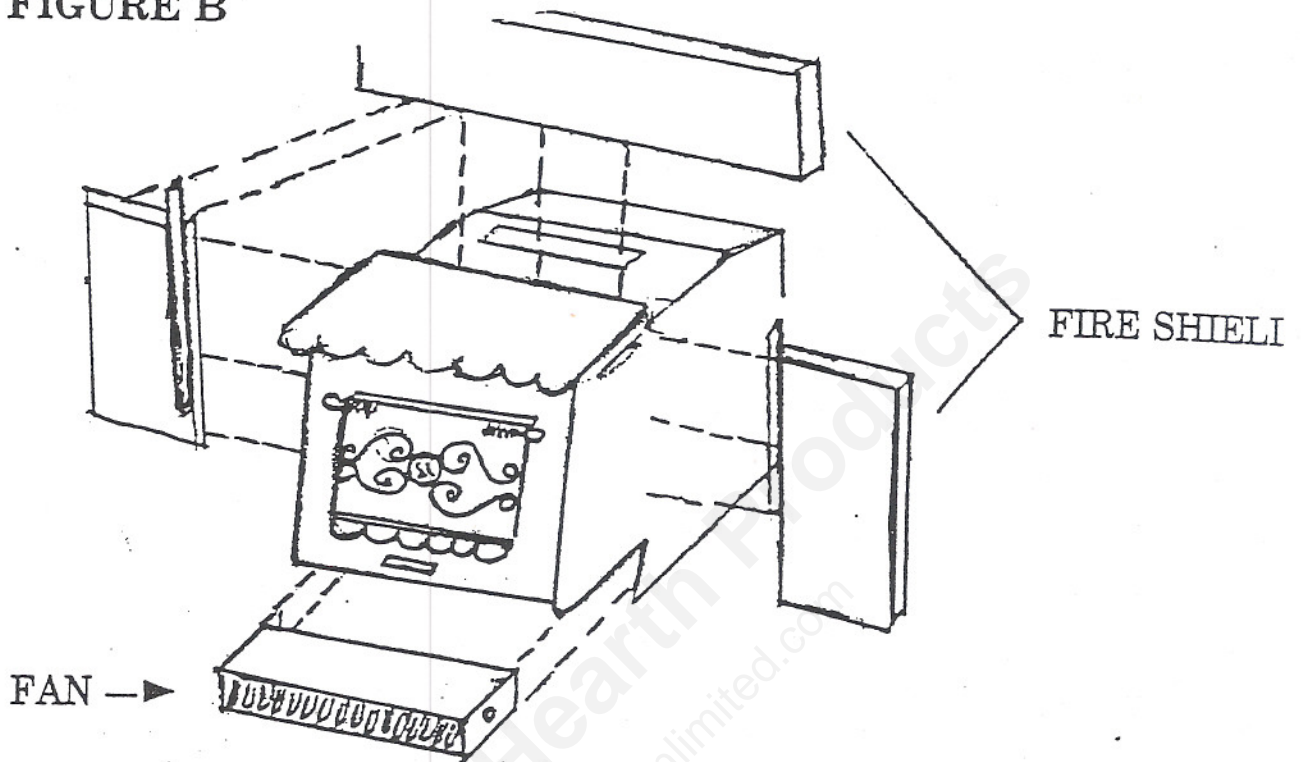
FIGURE A

2. Remove all ashes and debris from the fireplace firebox.
3. Make sure that the chimney damper is secured in the open position.
4. After you have removed the insert from its container, examine it for damage. If you find any damages, notify your freight company and/or your local dealer immediately.
5. Inspect the chimney to make sure that the masonry is in good condition. For your own protection have your local building code authority or Fire Marshal do the inspection.

INSTALLATION

1. If your fireplace has a drop off just inside the fireplace, you will be required to complete the following steps to make sure the back part of the insert remains level with the front part. If on the other hand, the hearth extension and the base of the firebox are level, disregard the leveling bolts and steps A, B and C, and proceed to the next part.
 - a. Measure the depth of the firebox hole with a yardstick or ruler.
 - b. Place slide rails in firebox. Position them at a width equal to that of the leveling bolts on the bottom of the insert, with channels up.
 - c. Screw the leveling bolts on the base of the insert to the depth of the firebox hole.
2. Making sure that the hearth extension is protected, place the insert on the hearth. Now slide the unit part way into the fireplace.
3. Connect the three fireplace shields together and to the insert as shown in diagram B.

FIGURE B



4. Place fiberglass insulation, which is included, between fireplace shields and face of the fireplace.
5. Place the insert back so that the shields are tight against the fireplace face.

THERMOSTAT SETTINGS

The thermostat lever has three settings: Low, Medium, and High. Generally you will want to set the dial somewhere in the Low range or Medium-Low. The High-Medium and High settings are only to be used for short intervals. **DO NOT LEAVE THE STOVE UNATTENDED ON THESE SETTINGS.** The thermostat is regulated at the factory and should not be tampered with. You may notice that the vane in the draft duct is open even when set on Low. This is normal. It will close down automatically after the fire is started. If at some time it seems that the stove is not getting hot enough for the corresponding draft setting, check to see that something such as ashes or a piece of wood is not blocking the draft inlet inside the stove.

FUELING THE STOVE

Before you refuel the stove, turn the thermostat to High, leaving it in this position for about one (1) minute. Then, open door slightly — about one-quarter ($\frac{1}{4}$) inch — and hold in this position until fire “livens up” (if you do not do this the sudden introduction of oxygen into the fire chamber may cause ignition of combustible gases, erupting flames and smoke from the door). Then lower door into refueling position. After adding fuel and closing door do not forget to turn the thermostat back to desired setting.

CONVERTING TO OPEN FIRE

Before you convert to open fire, turn the thermostat to High, leaving it in this position for about one (1) minute, then open door slightly — about one-quarter ($\frac{1}{4}$) inch — and hold in this position until fire livens up (if you do not do this, the sudden introduction of oxygen into the fire chamber may cause the ignition of combustible gases, erupting flame and smoke from the door). Remove fuel door and hang firescreen over the door latch strikers at the top of the door opening. **BE SURE TO TURN THERMOSTAT TO EXTREME LOW WHEN BURNING STOVE WITH DOOR OFF.**

BURNING THE STOVE OVERNIGHT

We recommend that if you plan to burn the stove all night, that you fill it and burn it on Medium for about ten (10) minutes before you set the thermostat on the Low position and set the chimney damper approximately two-thirds ($\frac{2}{3}$) closed.

KEEPING THE CHIMNEY CLEAN

The chimney-flue system is an integral part of your stove's efficiency. The draft can be restricted by a dirty chimney so that the stove will not draw sufficiently for satisfactory operation. Depending upon the wood you burn and your manner of burning it, you may have to clean your chimney quite often, perhaps monthly. While this often is the exception, a sooted-up chimney should be the first suspect if your stove begins to smoke or burn inefficiently. Consult your dealer for suggestions on proper chimney care.

PAIN

Please be advised that the first few days that you burn your stove it might produce an odor from the curing paint. The paint is a catalytic silicone resin paint which requires heat for its final cure. If it is too unpleasant, simply open a door or window until the odor is dissipated.

If the black finish on your new Earth Stove ever becomes blemished, you can repaint with Earth Stove High Temperature Matte Black Spray Paint. This may be available from your dealer. **DO NOT PAINT HOT STOVE**, because it will cause a thick smoke to fill your house causing resultant damage to your furnishings. Be sure surrounding furnishings and carpet are protected so overspray will not damage them.

ASH REMOVAL

Periodically you will need to remove the ashes from the stove. The interval necessary will vary depending on the kind of fuel being used. Be sure that the ashes do not begin to cover the draft inlet at the front of the stove. You may find that a five-gallon bucket and a small ash shovel will facilitate their removal. Also, it is recommended that the insert be removed once a year in order to remove any creosote deposits that may have accumulated in the stove or the firebox.

NOTE: DO NOT LEAVE THE STOVE BURNING WITH THE DOOR PROPPED OPEN ON THE DOOR LATCHES BECAUSE THE EXCESSIVE HEAT PRODUCED CAN CAUSE DAMAGE TO THE STOVE. SUCH DAMAGE IS NOT COVERED BY THE MANUFACTURER OR DEALER WARRANTIES.

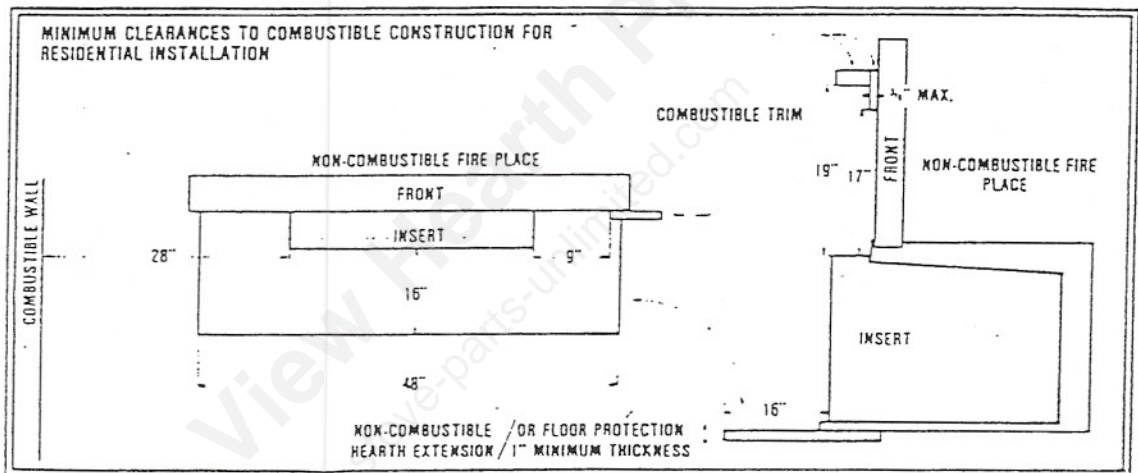


The Earth Stove, Inc.
10595 SW Manhasset Street
Tualatin, OR 97062

COLONY HEARTH FIREPLACE INSERT STOVE INSTALLATION INSTRUCTIONS

Before you install your Colony Hearth Stove, *PLEASE READ* the following safety rules:

1. This heater is designed for use in an approved masonry construction fireplace only.
2. This stove is designed for burning wood. A special grate is needed for burning coal.
3. Do not burn this unit with the top damper closed and the fuel door open, because smoking will result.
4. **CAUTION:** NEVER use flammable liquids to rekindle or start the fire. NEVER: Store flammable liquids near the heater.
5. Keep anything flammable (furniture or materials such as clothing, wood, newspaper,) away from the stove. A noncombustible hearth extension, at least 1 inch thick and 48 inches wide, should extend at least 16 inches in front of the stove, and cover floor or carpet. (SEE FOLLOWING ILLUSTRATION.)



6. Do not allow anyone to operate the controls who is not familiar with the instructions and warnings listed in this book.
7. Before installation - make sure that the fireplace damper is permanently secured in the open position.
8. Have your masonry fireplace and chimney system inspected for any damage or deterioration and for proper construction by a qualified person prior to installation of the stove. Make any necessary repairs prior to installation.

9. Installation of this heater must comply with local codes. A building or installation permit is required for the installation of any heating device in almost every area of the country. Be sure to check with your local building or fire department before installing.
10. Burning any kind of fuel uses oxygen from the room air. Be sure that you allow an adequate source of fresh air into the room where the stove is operating.
11. This stove will be HOT when burning properly and can set things like clothing and curtains on fire if brought in contact with it. Keep anything flammable away from the stove. Wet clothing will dry out fast and BURN if placed too close to the surface of the stove.
12. DO NOT: Allow children to play around the stove without supervision. DO NOT: Touch the stove while it is in operation, as it will sometimes be hot enough to burn your skin seriously.
13. For further information on using your stove, obtain a copy of the National Fire Protection Association publication, "Using Coal and Wood Stoves Safely." NFPA No. HS-8-1974. The address of the NFPA is 470 Atlantic Ave., Boston, Mass. 02210.

Check this list prior to beginning installation in order to be familiar with all the stove parts and tools required for installation.

PARTS

(2) 3" leveling bolts
face shield
face shield carton
stove unit (on skid)
sealing materials
channel rails
wooden handled damper tool

TOOLS

wrench to fit leveling bolts
putty knife
screwdriver
(4) self tapping screws

INSTRUCTIONS FOR INSTALLING YOUR COLONY HEARTH FIREPLACE STOVE

Your Colony Hearth Fireplace stove is a multiple use unit that will utilize your present fireplace to produce comfortable economical heat.

By now you will have already determined that your fireplace will accommodate the unit. It should be at least 27" wide, 24" high and 19" deep. (SEE STEP #5).

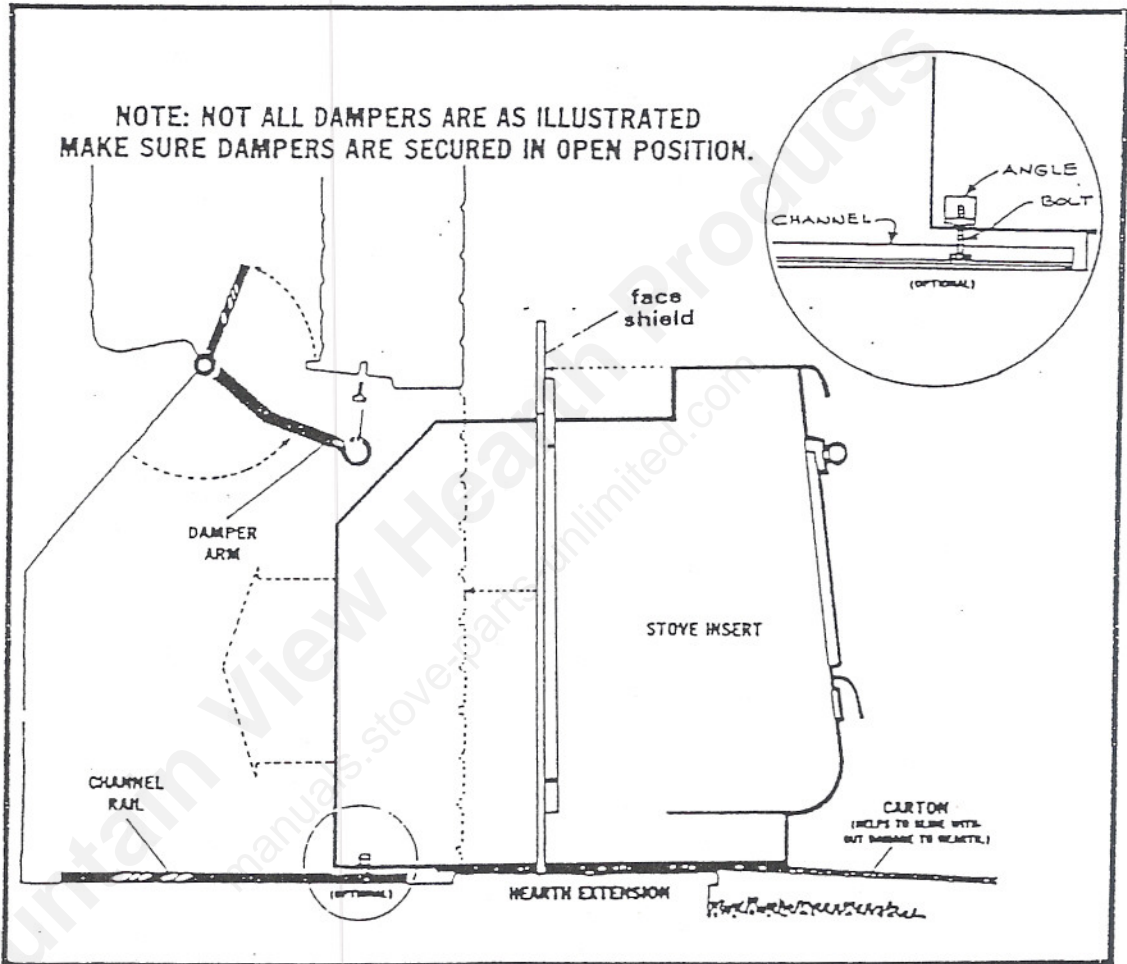
Next, examine your chimney. If it is dirty or has some obstruction in it, clean it out. A dirty chimney may not stop your stove from burning as an airtight stove, but it may cause it to smoke when used as a fireplace with the fuel door off and the screen or optional glass screen installed.

SECURING THE FIREPLACE DAMPER OPEN

This must be done to insure that the damper will not fall shut and force smoke into the room. If you do not wish to remove the damper, you may secure it by drilling a hole in the masonry and inserting a masonry or concrete anchor bolt, leaving about 1/2" of the bolt protruding from the surface. This bolt should be located in such a position that a wire can be attached to it which will hold the damper open.

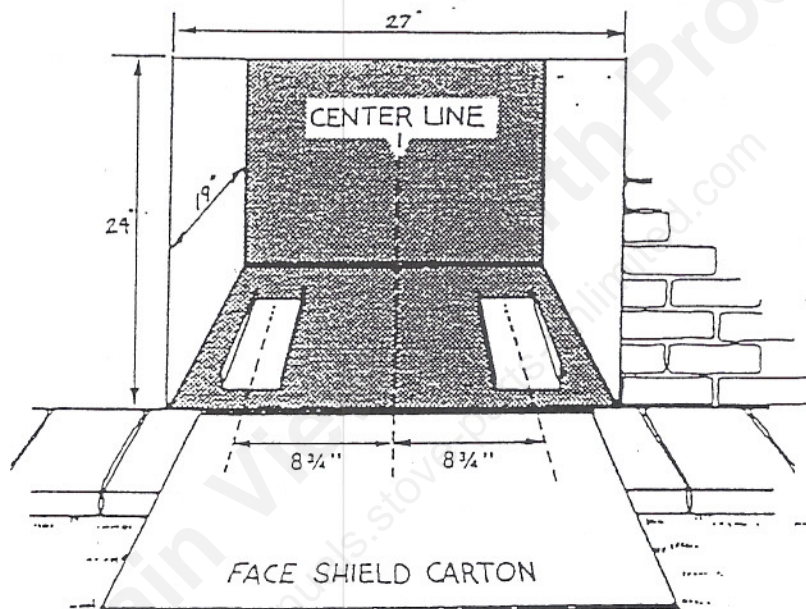
SECURING THE FIREPLACE DAMPER OPEN (Cont.)

The wire should not cross through the chimney opening, because if it does, it may get entangled with the chimney cleaning equipment.
 (SEE FOLLOWING ILLUSTRATION.)



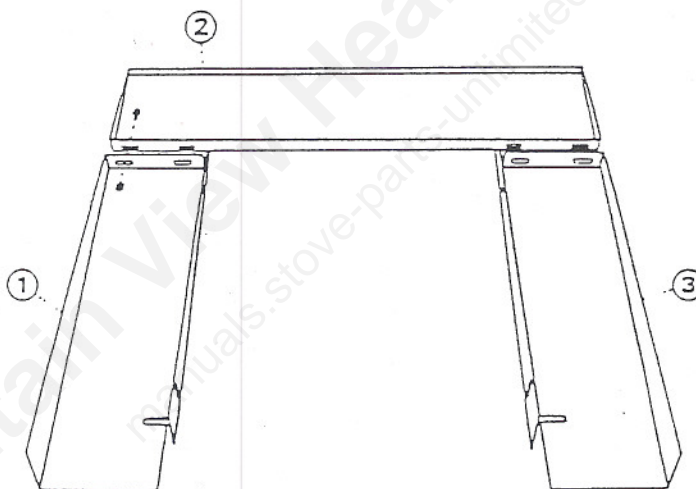
After the above instructions have been followed, you may proceed with the installation. It's really quite simple.

- Step 1. Remove all ashes from the fireplace.
- Step 2. Remove the 3 pieces of the face shield from the carton. Fasteners for the assembly are included. Set the pieces and fasteners aside.
- Step 3. Pull the face shield carton apart at the seams and place it on the hearth in front of the fireplace to protect the floor or carpet during installation.
- Step 4. Remove the parts and the fiberglass sealing material packaged inside of the stove, and place them aside. Check to see that you have everything listed.
- Step 5. Place the two channel rails inside the fireplace. (Channel rails may be optional if your fireplace hearth is flush with the hearth extension.) Find the center of your fireplace as shown below, and measure out $8\frac{3}{4}$ " on each side to the center of each rail. If the bottom of your fireplace is more than 3" lower than the hearth, build up the rails by placing a solid base of firebrick under the rails. (SEE FOLLOWING ILLUSTRATION).



- Step 6. Remove the staples securing the stove carton onto the wooden skid, lift off the carton and discard.
- Step 7. Uncoil the electrical cord and plug the unit in to check for correct blower fan operation. The fan turns on full speed first and then slows down as you turn the knob clockwise.

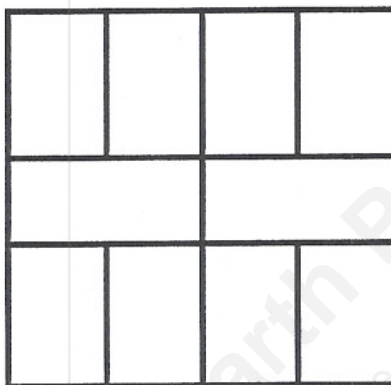
- Step 8. Remove the stove from its wooden skid by removing banding.
- Step 9. Take the two 3" leveling bolts and start them in the holes in the bottom of the stove. Be careful not to leave the bolts protruding below the bottom of the stove.
- Step 10. Wear gloves when moving the stove by hand. Set the stove on the protective cardboard carton laid out in front of the fireplace. Position the stove centered in front of the fireplace, then slide the unit back into the fireplace just far enough so that the leveling bolts can be adjusted onto the channel rails. Using the wrench, adjust the leveling bolts until you feel them touch the rails.
- Step 11. Slide the unit back into the fireplace until the back of the hinged top is approximately 2" from the face of the fireplace.
- Step 12. Assemble the face shield flat on the floor. (SEE FOLLOWING ILLUSTRATION). Lay the pieces face down on the floor. Place so that #1 is to your left, #2 is on top and #3 is to your right. Attach pieces at the corners with the fasteners provided. Place face shield behind the stoves hinged top, letting it down carefully. All of the fireplace opening should be covered.
- Step 13. Now push the unit back until it is against the face shield. Attach the face shield to the stove using the holes in the face shield as a guide.



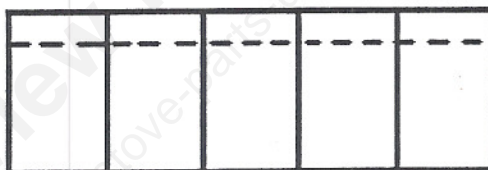
Firebrick 200 SERIES

Part Number	Quantity	Dimensions
FB-1	10	9 x 4 1/2" STANDARD
FB-2	14	9 x 4 1/2" NOTCHED

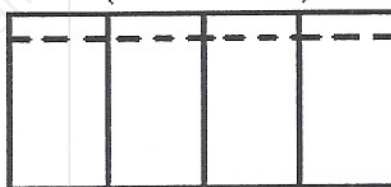
Brick Diagram



BOTTOM
(STANDARD)



SIDES
(NOTCHED)



BACK
(NOTCHED)

ONE PIECE OF SHEET ROCK (20 X 1 X 1/4") IS ALSO NEEDED TO REPLACE BRICK SET.

TO REPLACE BRICKS:

1. SHEET ROCK ON EITHER SIDE FIRST.
2. REPLACE SIDE BRICKS FIRST.
3. REPLACE BACK BRICKS SECOND.
4. RREPLACE BOTTOM BRICKS LAST.

OPERATING THE STOVE

THERMOSTATIC CONTROL

The control arm for the automatic thermostat is located under the ash shelf at the front lower right of the stove. This can be pulled to an up position for higher temperatures and pushed down for lower temperatures.

LIFTING THE STOVE TOP

The stove top can be lifted by using the wooden handled damper hook. The notches on the support rod will hold the top in the up position.

CLOSING THE STOVE TOP

Insert the hook into the top and lift slightly, at the same time pulling the support rod toward you. This will release the catch and allow the top to close.

OPERATING THE STOVES FLUE DAMPER

The damper at the rear top of the stove is used primarily when the fuel door is off and you are using the screen or the optional glass screen. To open or close this damper use the wooden handled hook to move the damper control on the right side of the stove. Moving it toward the back of the stove closes the damper and pulling it forward opens the damper.

If your stove smokes out the open door, open the damper until the stove operates without smoking.

When starting a fire and when burning with the fuel door on, open the damper to its farthest position.

FUELING THE STOVE

Although feeding excessive amounts of fuel to the stove should be avoided, it is important to supply it with sufficient fuel to maintain a moderately hot fire. (This is particularly important when burning wood as it produces volatile substances.) Wood should be stored in a dry place for several months, preferably even a year, before being used for fuel. Some trees have very high moisture content and it is necessary to thoroughly dry the wood. The drying process can be speeded up by splitting the wood and stacking it with both ends of the stick exposed, as more drying occurs through the ends than through the sides even when the wood is split.

Since seasoned wood is not always available, it may not be possible to prevent some creosote build-up. This can be burned off by operating the stove 10 to 15 minutes a day with the draft regulators open. However, **DO NOT ATTEMPT TO BURN OUT HEAVY CREOSOTE ACCUMULATIONS IN THIS MANNER.** This could result in a dangerous chimney fire. Heavy deposits of creosote must be removed from the chimney by scraping or brushing. A professional chimney sweep can be of invaluable assistance.

The frequency of the inspections will depend on how fast the creosote forms. At first it is advisable to inspect the chimney at least once a month. If after these initial inspections, one discovers that very little accumulation is occurring, the time between inspections can be extended. Always inspect at least once a year. If all variables that are involved in the formation of creosote are constant, then the accumulation is predictable.

THERE ARE ONLY TWO DOOR POSITIONS FOR THE EARTH STOVE. (1) ON and securely shut and LATCHED, or (2) OFF with the firescreen in place. DO NOT LEAVE THE DOOR PROPPED OPEN ON THE STRIKERS, even to get the fire started. It is too easy to walk off and forget. THIS IS DANGEROUS!!! The stove can overheat to such an extent that it will turn red hot, because this allows the stove to draft from both the back and the front. DO NOT BURN YOUR EARTH STOVE WITH THE DOOR PROPPED ON THE LATCH STRIKERS!!! Your manufacturer's warranty will be void if you operate your stove this way, but our chief concern is with you and your family's safety.

In the unlikely event a creosote fire should develop in the chimney, the fire department should be called immediately; and then attempts should be made to control the fire until assistance arrives. The fire can often be controlled by shutting the fuel door, (if open), and turning the thermostat to the lowest position. After a chimney fire the complete chimney system should be checked before further use.

Since there are always several potential sources of fire in any home, we would like to suggest, now that you have selected a quality stove, that you continue your safety program and install smoke detectors, strategically placed. Ventilation is essential in using a solid fuel stove. The combustion process uses oxygen from inside the home, and since some homes are so well insulated, it may be necessary to open a window or install a vent to provide combustion air.

DISPOSAL OF ASHES

Ashes should be placed in a metal container with a tight fitting lid. The closed container of ashes should be placed on a noncombustible floor, well away from all combustible materials, pending final disposal. If the ashes are disposed of by burial in the soil or otherwise locally dispersed, they should be retained in the closed container until all the cinders have thoroughly cooled.

BLOWER CONTROL

The variable speed fan is controlled by the knob at the lower right side of the stove. Turning the knob clockwise turns the fan on. The fan comes on immediately to its highest speed; continued clockwise turning slows the fan down. Turn the knob counter clockwise completely to turn the fan off.

CHIMNEY CARE

If the stove begins to smoke, even with the draft controls in the full open position, this may be an indication of a build-up of creosote in the chimney. A chimney inspection may reveal a build-up of creosote which should be cleaned out right away.



10595 S.W. Manhasset St.
Tualatin, or 97062

The One & Only™

EARTH STOVE



**The Earth Stove, Inc.
10595 S.W. Manhasset Street
Tualatin, OR 97062**