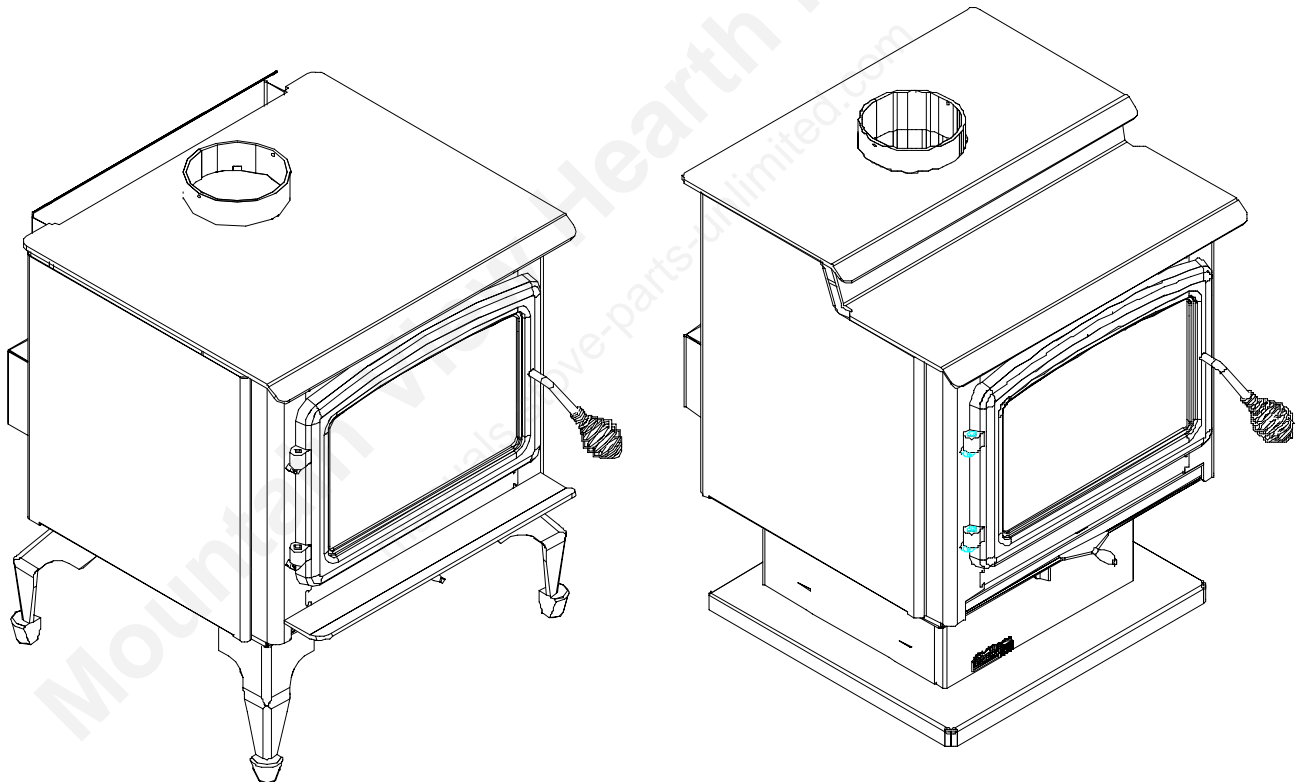




WOOD STOVE

MODELS 1000, 1600, 1600INS, 2100

OWNERS AND OPERATORS MANUAL



EF-183

TABLE OF CONTENTS

•	<u>PLEASE READ AND SAVE INSTRUCTIONS SAFETY WARNING</u>	2
•	<u>OPERATING INSTRUCTIONS</u>	3
•	<u>PEDESTAL INSTALLATION</u>	7
•	<u>BRICK INSTALLATION</u>	
•	MODEL 1000	8
•	MODEL 1600 INSERT	9
•	MODEL 2100	10
•	<u>FREESTANDING INSTALLATION</u>	11
•	<u>MOBILE HOME INSTALLATION</u>	12
•	<u>FIREPLACE INSERT INSTALLATION</u>	13
•	<u>HOW IT WORKS</u>	14
•	<u>SPECIFICATIONS</u>	15
•	<u>DOOR INSTALLATION</u>	16
•	<u>OPTIONAL FAN INSTALLATION (WIRING DIAGRAM)</u>	17
•	<u>RATING LABEL COPY</u>	18
•	<u>PARTS AND ACCESSORIES</u>	19
•	<u>WARRANTY</u>	20
•	<u>EXPLODED VIEW</u>	21

PLEASE READ AND SAVE INSTRUCTIONS

SAFETY WARNING

- Please read this entire manual before you install and use your new heater. Failure to follow these instructions may result in property damage, personal injury, and even death.
- If this appliance is not properly installed, operated, and maintained a serious house fire could result. Do not use any makeshift materials during installation.
- Never place wood, paper, furniture, drapes or other combustible materials near the stove, or let children or pets touch it when it is hot.
- Operate only with the door and ash pan tightly closed and burn wood directly on the stove floor. Do not operate if the door glass is broken or a gasket is missing or damaged. Do not alter the combustion air control valves. Dangerous overfiring could occur which could ignite creosote in the chimney or cause a house fire.
- At least 12 inches² (77.4 cm²) of fresh outside air should be admitted into the room or directly to the stove through a 4" inches (10.16 cm) diameter pipe. It would be dangerous to operate the stove with the combustion-air inlet closed.
- Do not burn coal or charcoal, as there is danger of carbon monoxide being produced. Do not use chemical fluids to start or re-refresh the fire. Do not burn garbage or flammable fluids such as gasoline, grease, or naphtha or engine oil. Never let the stove become hot enough to get any part red or glowing red.
- Burning wet unseasoned wood could cause excessive creosote accumulation. When ignited it could cause a chimney fire that could result in a serious house fire.
- Do not use grates, andirons or any other methods to support or raise the fire up off the hearth of the appliance.

OPERATING AND LIGHTING INSTRUCTIONS

FIRST START:

When first installed, the chimney, firebricks and steel are cold and it usually takes several hours on a fairly high burn for them to become hot and dry enough for the stove to function well. The paint will smell a little for the first time or two as it cures. You may wish to open a door or window to eliminate the smell.

DRAFT CONTROL:

Located on the front of the stove just below the ash sill is the Slider Air Damper. This damper will control the amount of air to the fire. Pull this control all the way out when first starting the stove. Once the fire has been established you may adjust this control to set the burn rate of the fire. If this damper is closed at first start up the fire will burn very slowly and could soot the appliance.

FANS:

All models have been approved for operation with or without the optional fans supplied by the manufacturer. On medium or high burns, using a fan will increase the heat transfer slightly. Route the power supply cord along the floor behind the stove where it will remain cool.

DISPOSAL OF ASHES:

If you let the ashes accumulate two or three inches on the floor they tend to burn themselves up. Open the small trap door located on the floor of the unit. Push the ashes that have accumulated into the hole where the ashes would drop into the ash pan. Ensure that the trap door is closed properly before relighting the unit. When necessary put the ashes in a metal container with a tightly fitting lid. Place the closed container on a non-combustible floor, well away from combustible materials. If the ashes are to be buried in soil or otherwise locally dispersed, keep them in a closed container until all cinders have cooled. If your model has an ash pan, be sure to latch the ash pan tightly when finished. Small amounts of cold wood ash can be used in the garden or compost.

REPLACING THE GLASS:

Never strike or slam the door, hit the glass or let burning wood rest against it. If the glass cracks when the fire is burning, do not open the door until the fire is out and do not operate the stove again until the glass has been replaced, preferably by your dealer. To remove the door, open and lift. To replace the glass, remove the steel retaining clips and all loose glass. Replace only with Neoceram 5 mm glass 16.61" (422 mm) x 10.63" (270 mm) and wrap the edges with 0.125" (3.2 mm) x 0.5" (13 mm) self-adhesive fiberglass gasket.

FIRE EXTINGUISHER AND SMOKE DETECTION:

All homes with a solid fuel burning stove should have at least one fire extinguisher in a central location known to all in the household, and at least one smoke detection device in the room containing the stove. If it sounds the alarm, correct the cause but do not deactivate or relocate the smoke detection device.

CREOSOTE - ITS FORMATION AND REMOVAL:

When wood is burned slowly, it may produce tar and other vapors that combined with moisture form creosote. These vapors condense in the relatively cooler chimney flue of a slow burning fire, and if ignited, make an extremely hot fire. So, the smoke pipe and chimney should be inspected bi-weekly during the heating season to determine if a build-up has occurred. If creosote has accumulated it should be removed to reduce the risk of a chimney fire.

CHIMNEY OR RUN AWAY FIRE:

1. Call local fire department (or dial 911)
2. Close the draft fully
3. Examine flue pipes, chimney, attic, and roof of the house, to see if any part has become hot enough to catch fire. If necessary spray with fire extinguisher or water from the garden hose.
4. Do not operate the stove again until you are certain the chimney and its lining have not been damaged.

MAINTENANCE:

At the end of each heating season clean the chimney and the smoke pipe. If soot has accumulated above the top baffle bricks, remove, clean, and then replace them. If the secondary air tube is badly eroded, replace it. Replace worn door gaskets and broken bricks as needed. **FAILURE TO INSPECT AND CLEAN YOUR CHIMNEY SYSTEM REGULARLY CAN RESULT IN A CHIMNEY FIRE, WHICH COULD DAMAGE THE CHIMNEY OR CAUSE A HOUSE FIRE.**

Building Your Fire

Proper operation of your stove will help to ensure safe, efficient heating. Please take a few moments to review these simple operating procedures.

1. Fuel Selection:

This stove is designed to burn natural wood only. Higher efficiencies and lower emissions generally result when burning air-dried seasoned hardwoods, as compared to softwoods or to green or freshly cut hardwoods. **DO NOT BURN** the following: treated wood, coal, garbage, solvents, colored papers, or trash. Burning these may result in the release of toxic fumes and may poison or render the catalytic ineffective. Burning coal, cardboard, or loose paper can produce soot, or large flakes of char or fly ash that can coat the combustor, causing smoke spillage into the room, and rendering the combustor ineffective.

2. Building/Maintaining a Fire:

a) Open the primary air slide by pulling it all the way to the right.

b) Place a base of crumpled uncolored newspaper in the bottom of the stove. Lay pieces of kindling on top of the newspaper and light it.

CAUTION: "Never use gasoline, gasoline-type lantern fuel, kerosene, charcoal lighter fluid, or similar liquids to start or "freshen up" a fire in this heater. Keep all such liquids well away from heater while it is in use.

c) As the kindling begins to burn, add several larger pieces of wood until the fire is burning well. At this point, regular size logs may be added.

NOTE: Until the fire is burning well, leave the draft controls fully open.

d) Regulate the heat output of the stove by adjusting the draft controls to allow a larger fire and vice versa. A short period of experimentation with the control settings will allow you to regulate the heat output to keep your home comfortable.

Do not use a grate or elevate the fire. Build wood fire on the stove firebox hearth floor.

3. Refueling the Stove:

Use a long pair of gloves (barbecue gloves) when feeding the fire because these stoves burn at the front they are clean and efficient, but they are also very hot and gloves are useful. Keep a small steel shovel and whisk nearby for moving a log or lifting a fallen ember and for keeping the hearth clean.

a) Before attempting to add fuel to the stove, **OPEN** the damper control fully by pulling it all the way out. This allows the chimney to carry away the additional smoke, which occurs when the door is open.

b) **DO NOT OVERLOAD THE STOVE.** Normally, three or four logs will provide heat for several hours. Never operate this stove where portions glow red hot.

c) **DO NOT OVERFIRE.** If the heater or chimney connector glows, you are overfiring.

d) **CAUTION: DO NOT PLACE FUEL WITHIN SPACE HEATER INSTALLATION CLEARANCES OR WITHIN THE SPACE REQUIRED FOR CHARGING AND ASH REMOVAL.**

4. For Maximum Efficiency:

When the stove is hot, load it fully to the top of the door opening, and burn at medium low settings. When the fuel is mostly consumed, leaving a bed of red coals, repeat the process. Maximum heat for minimum fuel occurs when the stovetop temperature is between 250°F (120°C) and 550°F (290°C). The most likely causes of dirty glass are: not enough fuel to get the stove thoroughly hot, burning green or wet wood, closing the draft until there is insufficient air for complete combustion, or a weak chimney draw. Indeed, the cleanness of the glass is a good indicator of the stove operating efficiently.

Helpful Hints Worth Repeating

1. Helpful advice on the correct way to start your fire.

- a) You will need small pieces of dry wood, called kindling, and paper. Use only newspaper or paper that has not been coated or had other materials glued or applied to it. Never use coated (typically advertising flyers) or coloured paper.
- b) Always open the door of the wood stove slowly to prevent suction and drawing smoke into the room.
- c) Crumple several pieces of paper and place them in the center of the firebox and directly onto the firebricks of the wood stove. Never use a grate to elevate the fire.
- d) Place small pieces of dry wood (kindling) over the paper in a “teepee” manner. This allows for good air circulation, which is critical for good combustion.
- e) Light the crumpled paper in 2 or 3 locations. Note: It is important to heat the air in the stovepipe for draft to start.
- f) Fully open the air controls of the wood stove and close the door until it is slightly open, allowing for much needed air to be introduced into the firebox. Never leave the door fully open, as sparks from the kindling may fly out of the stove, causing damage or injury. As the fire begins to burn the kindling, some additional kindling may be needed to sustain the fire. DO NOT add more paper after the fire has started.
- g) Once the kindling has started to burn, add some smaller pieces of seasoned, dry firewood. Note: Adding large pieces at the early stages will only serve to smother the fire. Continue adding small pieces of seasoned dry firewood, keeping the door slightly open until each piece starts to ignite. Remember to always open the door slowly between placing wood into the fire.
- h) Once the wood has started to ignite and the smoke has reduced, close the wood stove door fully. The reduction of smoke is a good indication that the draft in the chimney has started and good combustion is now possible. Larger pieces of seasoned, dry firewood can now be added when there is sufficient space in the firebox. Adjust the air control setting to desired setting. Note: The lower the air control setting, the longer the burn time of your firewood.

2. What type of wood is best to use as firewood?

Both hardwood and softwood burn well in this stove. Both woods contain about 8,000 BTUs per pound, but hardwood is generally denser, will weigh more per cord, and burns a little slower and longer. Cutting firewood so that it will fit horizontally, front to back, makes it easier loading and less likely for the fuel to roll on the glass. Except for a cold start, there is no need to crisis-cross the logs. Ideal lengths would be about 12 “ for models 1000, 16.5” for model 1600, 21 “ for model 2100. Burn only dry, seasoned wood. It produces more heat and less soot or creosote. Freshly cut wood has about 50% moisture. A ten-pound log contains 5 pounds of water. To season firewood split and stack it so that air can get to all parts of the wood. Burn beach wood only if its salt content has been washed away in a season of rain and then the wood dried. To prevent smoke spillage, when refueling, open the door slowly.

3. What does dry, seasoned wood mean?

Wood that has been dried for a period of one year in a well-ventilated and sheltered area would be considered dry, seasoned wood. Wood from slow-growing trees is generally considered better than wood from fast-growing trees. To season firewood split and stack it so that air can get to all parts of the wood.

4. Will following the above-listed steps for starting a fire mean perfect results every time?

The quick answer is ‘ most of the time’. There are many variables that may affect your success when starting a fire. Most of those variables and how to deal with them will be learned through experience. Your ability to start a good fire will significantly increase with time and patience. Some of the reasons for poor stove performance will be covered in the next section of these instructions.

5. Why can't I get the fire lit?

Damp or wet wood and poor drafts are the main reasons for poor results in starting a fire. Always use dry, seasoned wood for your fire. Even wood dried for two years will be difficult to ignite if it has become wet.

6. Is it normal for soot to cover the glass at the beginning of a fire?

Your stove has been built with an air-wash system that will help keep the glass clear when the firebox has reached a good operating temperature and has a good draft. Normally a hot stove will keep the glass clean, but if you must clean the glass, use a soft cloth with no abrasive and clean only when cold. Cold firebox temperature and poor draft cause sooting of the glass. Once the firebox temperature and the draft increase, the soot will burn off.

7. What is draft?

Draft is the ability of the chimney to exhaust or draw smoke produced during the normal combustion process. Too much draft may cause excessive temperatures in the appliance and may damage the appliance*. Inadequate draft may cause backpuffing or "plugging" of the chimney. There is a certain amount of draft that is required to allow for your stove to function at its' highest efficiency. A water column gauge can be used to reference this amount.

8. What can cause a poor draft?

The most common factors for poor draft are:

- a) Air supply
- b) Environmental conditions
- c) Cold chimney temperature
- d) Poor chimney installation and maintenance
- e) Atmospheric pressure

a) Air supply – Inside the home, normal household appliances such as clothes dryers and forced-air furnaces compete for air, resulting in air starvation to the fire. This creates a condition in the house known as negative pressure. When a house experiences negative pressure, the combustion gases can be drawn from the chimney and into the house. This condition is commonly referred to as down drafting. Increased amounts of insulation, vinyl windows, extra caulking in various places and door seals can all keep heat in but may also make a home too airtight. An easy way to stop negative pressure in a home is to crack a window in the room containing the stove.

b) Environmental Conditions - High trees, low-lying house location such as in a valley, tall buildings or structures surrounding your house and windy conditions can cause poor draft or down drafting.

c) Cold Chimney Temperature - Avoid cold chimney temperatures by burning a hot fire for the first fifteen to forty minutes, being careful not to over-fire the stove. If any part of the chimney or parts of the stove starts to glow, you are over-firing the stove. Where possible, install a temperature gauge on the chimney so temperature drops can be seen.

d) Chimney Installation and Maintenance - Avoid using too many elbows or long horizontal runs or height of your chimney. If in doubt, contact a chimney expert and/or chimney manufacturer for help. Clean chimney, rain caps and especially spark arrestor regularly, to prevent creosote build-up, which will significantly reduce chimney draw and possibly a chimney fire.

9. Should I close or open the air control fully when shutting down the stove?

When shutting down the stove, fully open the air control. This allows the chimney temperatures to remain as high as possible for as long as possible. Cold chimney temperatures create creosote.

Note: These instructions are intended as an aid and do not supercede any local, provincial or state requirements. Check with officials or authorities having jurisdiction in your area.

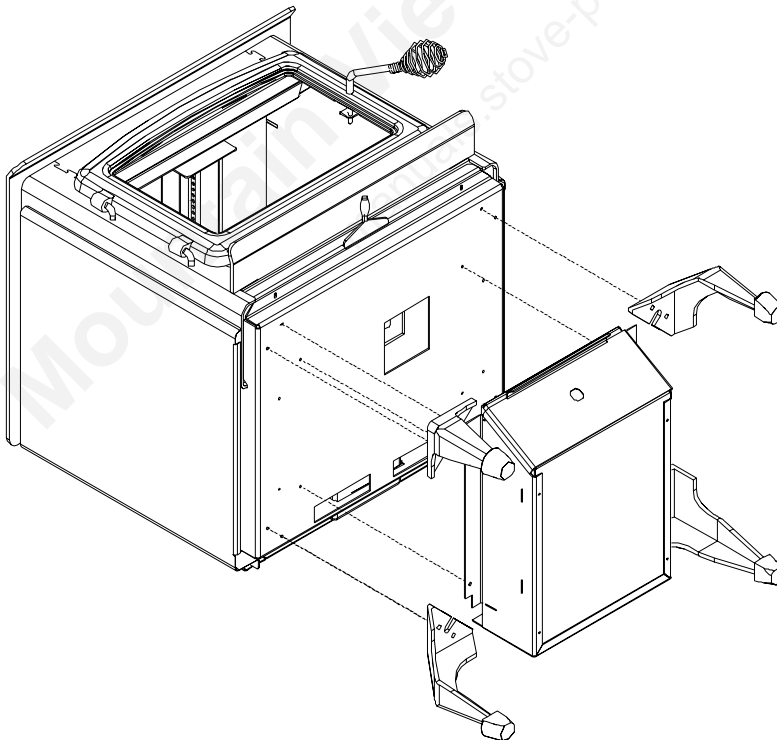
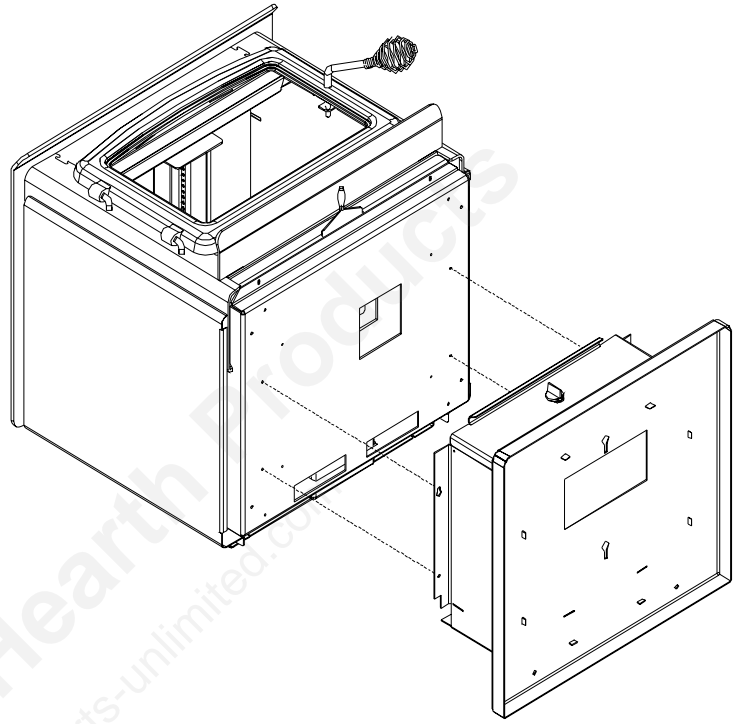
PEDESTAL AND LEG INSTALLATION

Please read and understand these instructions before installing ash pan and leg option.

Failure to follow these instructions carefully could cause personal injury or property damage.
All screws are pre installed on the base of the unit.

PEDESTAL

- Remove the bricks from the unit before starting.
- Loosen the two carriage bolts that secure the unit to the pallet. Slide the pallet towards the front to release carriage bolts from the key holed slots in the unit. Place the unit on the pallet on its back.
- Slide the pedestal assembly over the bolts located on the base of the unit using the key holed slots provided.
- Tighten all four bolts ensuring the pedestal is properly aligned to the edges of the unit.
- Ensure that the gasket material is properly sealed before continuing.
- Stand the unit on the pedestal and set the unit in the location ready for installation.
- If fresh air supply is being supplied from the bottom of the unit please install the cover plate supplied to the rear of the pedestal covering the 4" inch hole.



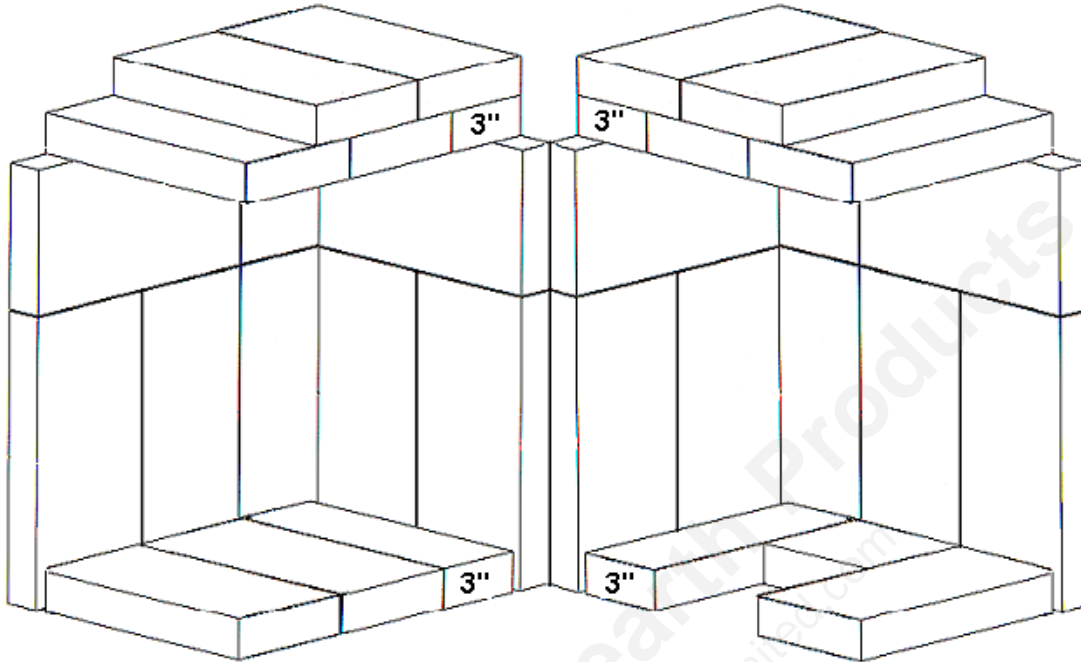
LEGS AND ASH PAN

- Place the unit on the pallet on its back.
- Slide the ash pan assembly over the bolts using the key holed slots provided and tighten all four bolts.
- Ensure that the gasket material is properly sealed before continuing.
- Carefully remove the cast iron legs from the packaging and secure each leg with two bolts provided.
- Secure all four legs, push the leg towards the center of the stove and align the legs with the outer edges of the firebox.
- Stand the unit on the legs and set the unit in the location ready for installation

MODEL 1000 BRICK PLACEMENT:

COMPLETE THE STOVE AND SMOKE PIPE INSTALLATION BEFORE PLACING THESE BRICKS.

1. Place the bottom layers of the sides and back of the firebox.



2. Place the floor bricks. The spaces between the bricks will soon fill with ashes.

3. Finish the sides and back ready to accept the top, ceiling bricks.

4. On the right and left sides, leave the front top brick out and install this brick last. Start with a 3" wide brick first, lift this brick up and rest the brick on the center baffle plate and the top of the side bricks, make sure that it is slid all they way to the back of the stove. Place a full width brick next, and then place another full width brick on the top so that all the joints are staggered. Complete both sides of the ceiling bricks in this manner.

5. Install the last two bricks in the right and left side, uppermost front corners.

6. Make sure that all bricks are secure before starting a fire in this unit.

REMOVE CEILING BRICKS AND CLEAN ABOVE THEM ONCE A YEAR. REPLACE ANY BROKEN BRICKS

WHEN REPLACING BRICKS USE ONLY CLAYBURN TYPE FIRE BRICKS.

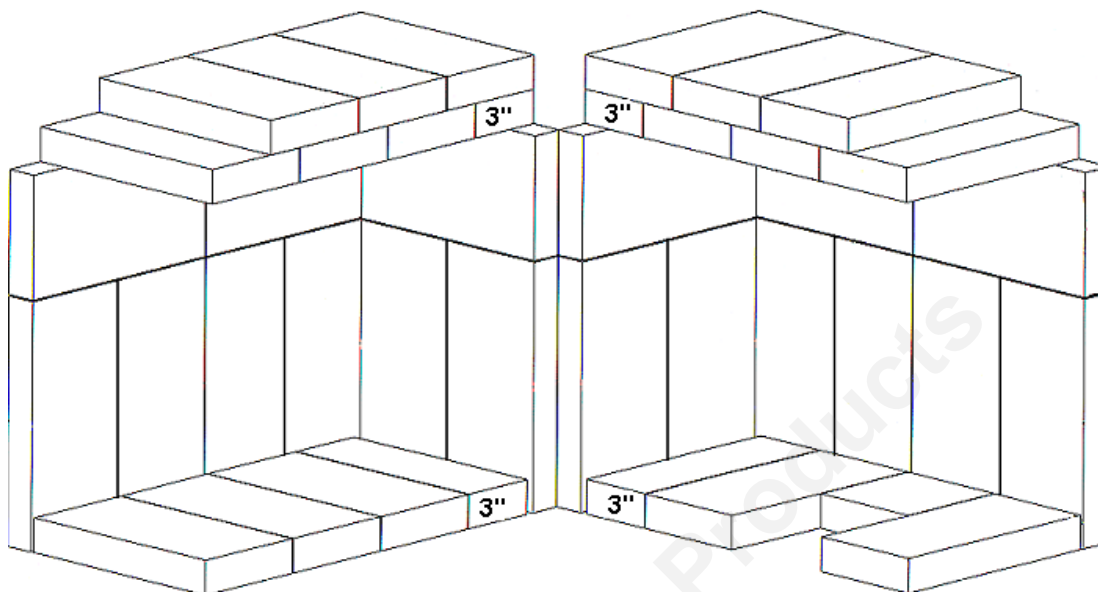
TOTAL BRICKS:

25- FULL SIZE BRICKS (9" LONG X 4.5" WIDE X 1.25" THICK)
(22.86 CM LONG X 11.43 CM WIDE X 3.175 CM THICK)

4- PARTIAL BRICKS (9" LONG X 3" WIDE X 1.25" THICK)
(22.86 CM LONG X 7.62 CM WIDE X 3.175 CM THICK)

3- 1/2 BRICK FOR ASH DUMP (4.5 " LONG X 4.5" WIDE X 1.25" THICK)
(11.43 CM LONG X 11.43 CM WIDE X 3.175 CM THICK)

MODEL 1600 BRICK PLACEMENT:



COMPLETE THE STOVE AND SMOKE PIPE INSTALLATION BEFORE PLACING THESE BRICKS.

1. Place the bottom layers of the sides and back of the firebox.
2. Place the floor bricks. The spaces between the bricks will soon fill with ashes.
3. Finish the sides and back ready to accept the top, ceiling bricks.
4. On the right and left sides, leave the front top brick out and install this brick last. Start with a 3" wide brick first, lift this brick up and rest the brick on the center baffle plate and the top of the side bricks, make sure that it is slid all they way to the back of the stove. Place a full width brick next, and then place another full width brick on the top so that all the joints are staggered. Complete both sides of the ceiling bricks in this manner.
5. Install the last two bricks in the right and left side, uppermost front corners.
6. Make sure that all bricks are secure before starting a fire in this unit.

REMOVE CEILING BRICKS AND CLEAN ABOVE THEM ONCE A YEAR. REPLACE ANY BROKEN BRICKS

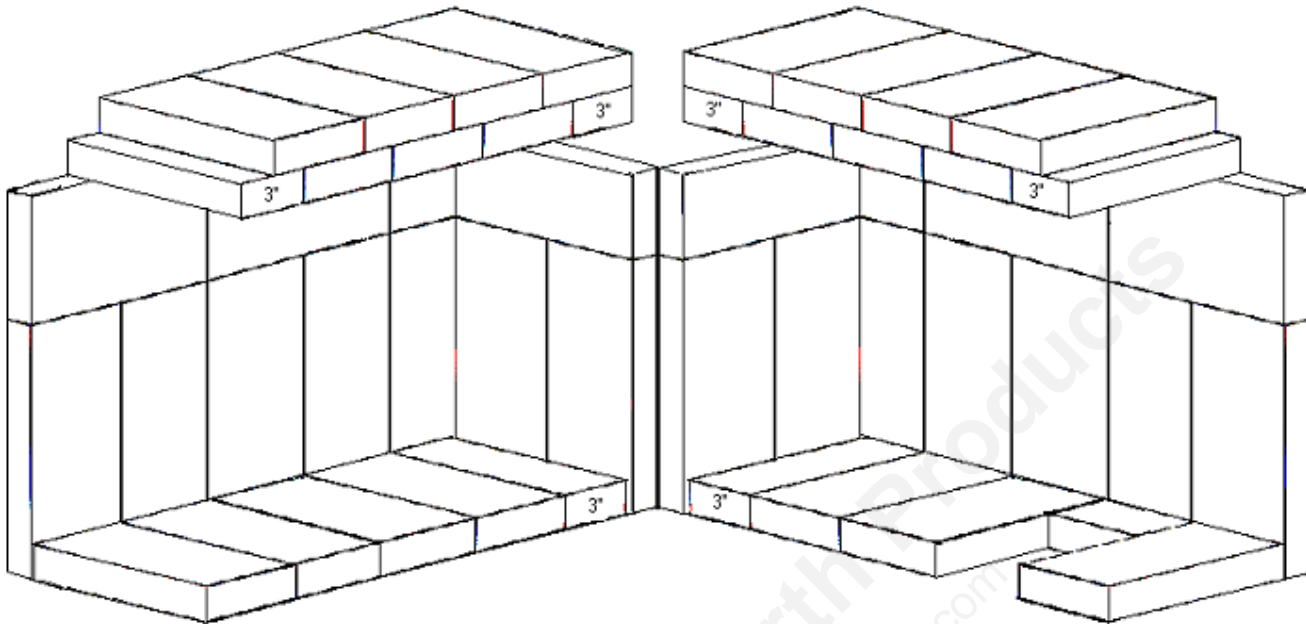
WHEN REPLACING BRICKS USE ONLY CLAYBURN TYPE FIRE BRICKS.

TOTAL BRICKS:

- 35- FULL SIZE BRICKS (9" LONG X 4.5" WIDE X 1.25" THICK)
(22.86 CM LONG X 11.43 CM WIDE X 3.175 CM THICK)
- 4- PARTIAL BRICKS (9" LONG X 3" WIDE X 1.25" THICK)
(22.86 CM LONG X 7.62 CM WIDE 3.175 CM THICK)
- 1- 1/2 BRICK FOR ASH DUMP (4.5 " LONG X 4.5" WIDE X 1.25" THICK)
(11.43 CM LONG X 11.43 CM WIDE X 3.175 CM THICK)

MODEL 2100 BRICK PLACEMENT:

COMPLETE THE STOVE AND SMOKE PIPE INSTALLATION BEFORE PLACING BRICKS.



1. Place the bottom layers of the sides and back of the firebox.
2. Place the floor bricks. The spaces between the bricks will soon fill with ashes.
3. Finish the sides and back ready to accept the top, ceiling bricks.
4. On the right and left sides, leave the front top brick out and install this brick last. Start with a 3" wide brick first, lift this brick up and rest the brick on the center baffle plate and the top of the side bricks, make sure that it is slid all they way to the back of the stove. Place a full width brick next, and then place another full width brick on the top so that all the joints are staggered. Complete both sides of the ceiling bricks in this manner.
5. Install the last two bricks in the right and left side, uppermost front corners.
6. Make sure that all bricks are secure before starting a fire in this unit.

REMOVE CEILING BRICKS AND CLEAN ABOVE THEM ONCE A YEAR. REPLACE ANY BROKEN BRICKS

WHEN REPLACING BRICKS USE ONLY CLAYBURN TYPE FIRE BRICKS.

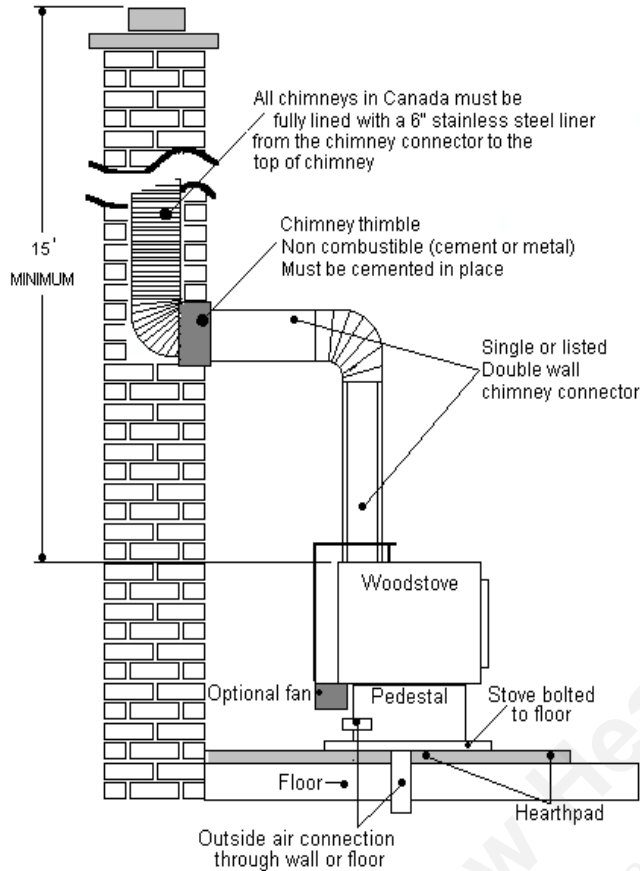
TOTAL BRICKS:

39- FULL SIZE BRICKS (9" LONG X 4.5" WIDE X 1.25" THICK)
(22.86 CM LONG X 11.43 CM WIDE X 3.175 CM THICK)

8- PARTIAL BRICKS (9" LONG X 3" WIDE X 1.25" THICK)
(22.86 CM LONG X 7.62 CM WIDE 3.175 CM THICK)

3- 1/2 BRICK FOR ASH DUMP (4.5 " LONG X 4.5" WIDE X 1.25" THICK)
(11.43 CM LONG X 11.43 CM WIDE X 3.175 CM THICK)

FREESTANDING INSTALLATION:



CHIMNEY:

Vent the stove into a clean, lined, approved masonry chimney in good condition, conforming to local building codes or a listed 6" factory built chimney suitable for use with solid fuels and conforming to, ULC-S629 in CANADA or UL-103HT in the U.S.A.. Connect the stove to this chimney with a short and straight 6" (150 mm), 25 gauge or heavier, single wall black or blued steel smoke pipe. Connection to all masonry chimneys must be a metal or masonry thimble cemented in place. All smoke pipes must slope upwards, all connections must be tight and secured with three sheet metal screws equally spaced. The smoke pipe length should not exceed 40% of the chimney height above the stove.

A non-combustible floor protector is required under all freestanding units. The floor protection must extend 18" (457 mm) in front of the unit and 8" (203 mm) to each side. When venting into a masonry chimney the floor protector must be installed directly below the chimney vent and 2" (50.8 mm) on either side of the chimney vent.

DO NOT CONNECT THIS UNIT TO A CHIMNEY FLUE SERVING ANOTHER APPLIANCE.

MAINTAIN THESE MINIMUM CLEARANCES TO UNSHIELDED COMBUSTIBLES*

	MODEL 1000	MODEL 1600	MODEL 2100	DOUBLE WALL PIPE**	DOUBLE WALL PIPE**
	MODEL 1000	MODEL 1600	MODEL 2100	MODEL 1000	MODEL 1600
A. SIDE TO UNIT	19" (485 MM)	20" (510 MM)	22" (560 MM)	14" (355 MM)	11" (280 MM)
B. REAR TO UNIT	10" (2556 MM)	12" (300 MM)	12" (300 MM)	6" (150 MM)	4" (101 MM)
C. CORNER TO UNIT	6" (150 MM)	6" (150 MM)	8" (200 MM)	2" (50 MM)	6" (150 MM)
D. SIDE TO COLLAR	28" (710 MM)	29" (735 MM)	31" (790 MM)	23" (585 MM)	20" (508 MM)
E. REAR TO COLLAR	13" (330 MM)	16.5" (420 MM)	16.5" (420 MM)	9" (230 MM)	8.25" (210 MM)
F. CORNER TO COLLAR	16" (405 MM)	16.5" (420 MM)	19" (485 MM)	11.5" (290 MM)	15.5" (394 MM)

CAUTION: AN UN INSULATED SMOKE PIPE MUST NOT PASS THROUGH AN ATTIC, ROOF SPACE, CLOSET OR SIMILAR CONCEALED SPACE, OR THROUGH A FLOOR, CEILING, WALL, OR PARTITION, OR ANY COMBUSTIBLE CONSTRUCTION.

***ALL CLEARANCES CAN BE REDUCED WITH SHIELDING ACCEPTABLE TO THE LOCAL AUTHORITY.**

****DOUBLE WALL: IN CANADA: ANY ULC-629 LISTED CHIMNEY SYSTEM WITH THE ACCOMPANYING LISTED DOUBLE WALL VENT CONNECTOR.**

IN U.S.A.: ANY HT-103 LISTED CHIMNEY SYSTEM WITH THE ACCOMPANYING LISTED DOUBLE WALL VENT CONNECTOR.

OUTSIDE AIR:

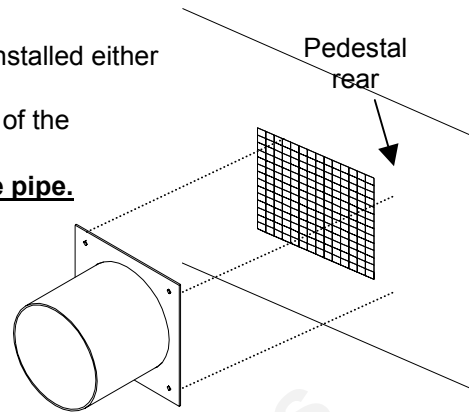
A 4" (10.16 cm) fresh air adapter kit is available. This adapter can be installed either on the back pedestal or through the floor under the pedestal.

Place the ¼" mesh screen between the fresh air adapter and the body of the pedestal. (AS SHOWN)

NOTE: Fresh air connection to the unit must be a non combustible pipe.

(Example: 4" (10.16 cm) single wall aluminum flex pipe)

NOTE: REMOVE THE 4" KNOCK OUT ON THE REAR OF THE PEDESTAL IF ROOM AIR IS TO BE USED FOR COMBUSTION AIR



ALCOVE INSTALLATION:

Model 1000 May be installed with double wall pipe in an alcove up to 4 ft. (1.2 m) deep and at least 7 ft. (2.13 m) high: sides 14" and rear 6".

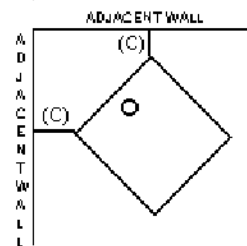
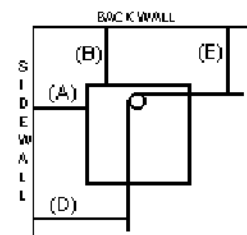
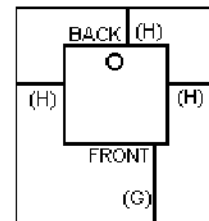
Model 1600 May be installed with double wall pipe in an alcove up to 30" (76 cm) deep and at least 70" (178 cm) high and a minimum width of 48" (122 cm)

FLOOR PROTECTION:

If a stove is installed on a combustible floor, it must have a pedestal attached and be on a NON COMBUSTIBLE hearth pad extending at least 8" (200 mm) to each side, and 18" (455 mm) to the front as indicated below.

TO INSTALL A LISTED, FACTORY BUILT CHIMNEY.

1. Set floor protector and stove in location in accordance with the clearances required above (see previous page).
2. Mark the position for the ceiling hole by using a plumb bob.
3. Move this location, if necessary, to avoid floor joists, ceiling rafters while still maintaining required clearances (see manufacturer's label on page 15 or the clearances to combustibles on page 8).
4. Mark the hole for the outside air kit.
5. Move the stove out of the way.
6. Cut a pilot hole in the ceiling.
7. Cut a hole for the ceiling penetration components and frame in the sides of the hole in both the ceiling and roof. Check, and follow chimney manufacturer's instructions for all of these steps.
8. Install the support box and chimney through the roof. Install the slip section for the chimney connector.
9. Slip the roof flashing over the chimney and secure to the roof, being careful to keep the pipe centered in the opening. To meet the code, the chimney must extend above the roof at least 3 FT. (91.44 cm), and 2 FT. (60.9 cm) above any area of the roof, within 10 FT. (304.8 cm) of the end of the chimney.
10. Be sure all pieces including outside rain cap, flange, collar and pipe are installed and then place the stove back into position.
11. Install the smoke pipe with the lower (crimped) edge of the pipe inside the smoke collar. Any creosote formed will then run back down into the stove. All connections must be tight and secured with three sheet metal screws equally spaced.
12. Also install an outside air flex pipe to the stove.

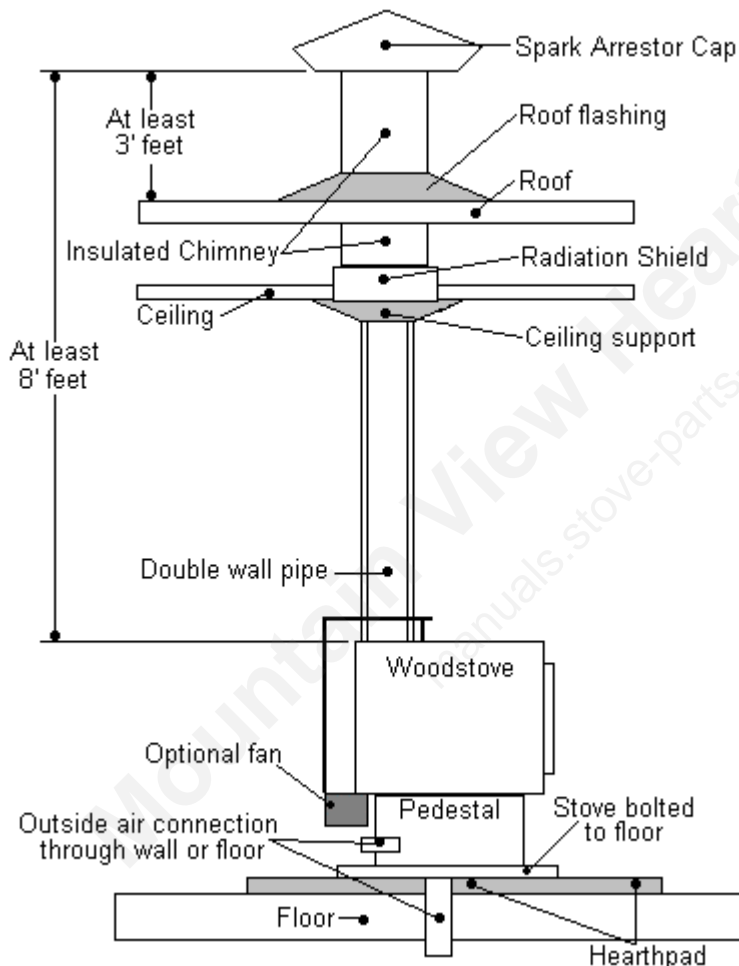


MOBILE HOME INSTALLATION

SPECIAL REQUIREMENTS: Pedestal models 1000 and 1600 are approved for mobile homes. All freestanding installation requirements on the preceding page plus the following must be met:

VENTING:

In Canada: Any ULC-629 listed chimney system with the accompanying double wall vent connector. **In U.S.A.** Any HT-103 listed chimney system with the accompanying double wall vent connector. Do not connect a listed chimney of one manufacture with a listed double wall connector from another manufacture. These connectors must be installed in accordance with the manufacturer's instructions. Use only specified components. The chimney and pipe must extend at least 10-ft. (2.4m) above the stove and 3-ft. (.9 m) above the highest point of the roof. (**RECOMMENDED CHIMNEY HEIGHT 12' FEET**) Install a rain cap with spark arrestor at the top that will not impede the smoke exhaust. The chimney must be supported at the ceiling or roof so that its weight will not sit on the stove. Seal with silicone to maintain vapor barrier at the chimney and outside air penetrations. **CAUTION: THE STRUCTURAL INTEGRITY OF THE MOBILE HOME FLOOR, WALL, AND CEILING/ROOF MUST BE MAINTAINED.**



OUTSIDE AIR :

Connection from the stoves air intake to the outside is **mandatory**, (MOBILE HOMES ONLY) either through a hole in the wall not higher than the stoves bottom, or through a hole in the floor beneath the pedestal using the fresh air adapter provided. If the air intake is through the floor, the hole in the pedestal back must be closed with the sheet metal cover provided. Avoid cutting any floor joists, wall studs, electrical wiring or plumbing. Seal around the outside air pipe with insulation to prevent drafts. Also install a 1/4" mesh rodent or pest screen in the end of fresh air pipe. Fresh air connection must be of a non-combustible material (example: 4" 10.16 cm flexible aluminum single wall pipe.)

Fresh air could also be supplied from a **vented crawlspace**

The pedestal must be firmly bolted to the floor using 1/4" bolts. Be sure to replace any insulation or panels removed when fastening the bottom nuts.

If room air starvation occurs because the air intake is blocked with ice, leaves etc. Or because the stove door was left open, or due to a strong exhaust fan operating, dangerous fumes could be sucked into the room.

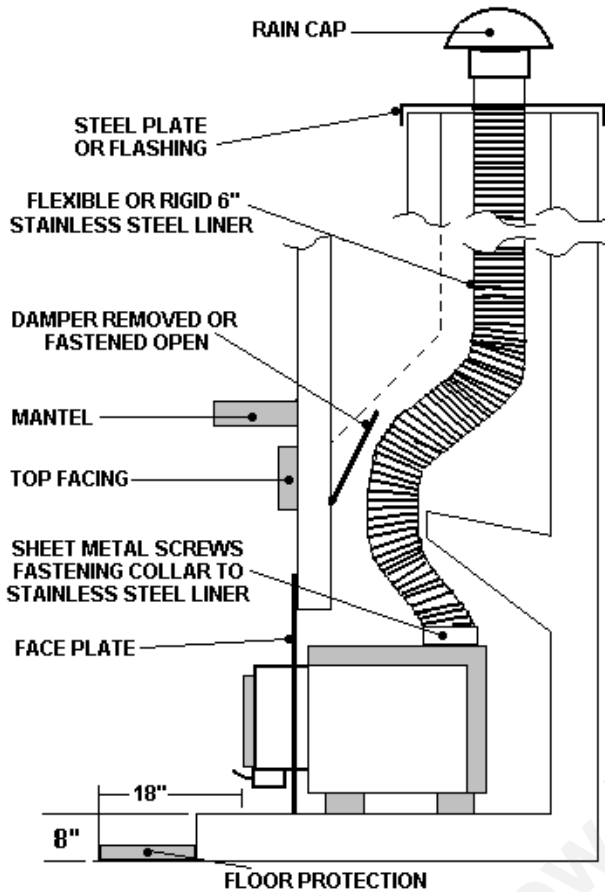
IN SOME AREAS IT MAY BE REQUIRED TO ELECTRICALLY GROUND THE STOVE.

When this unit is installed in a Mobile Home it must be grounded to the steel chassis or connected to a grounding rod.

Manufactured (Mobile) home installation must be in accordance with the Manufactured Home Construction and Safety Standard, UL 307B, Title 24 CFR, Part 3280 and/or The Standard for Manufactured Home Installations, ANSI A225.1/NFPA 501A

WARNING: DO NOT INSTALL IN A MOBILE HOME SLEEPING ROOM.

MODEL 1600 INS FIREPLACE INSERT



Unless you are experienced, we recommend installation by your dealer or a professional installer.

Install only in a masonry fireplace at least 25" (635 mm) wide, 22" (560 mm) high and 14" (356 mm) deep with an approved lined chimney at least 15 ft (4.6 m) high, both of which have been constructed in accordance with the building code. Be sure the fireplace and chimney are clean and sound without any cracks or loose mortar. Do not remove any bricks or mortar from the fireplace.

1. Remove any fireplace damper or fasten in a permanent open position.

(IN CANADA)

2. The stove is vented with a 6" stainless steel liner that goes directly to the top of the chimney and is covered with a rain cap. The chimney top is sealed with a flashing or steel plate that supports the weight of the chimney liner. The installation must conform to the liners manufacturer's instructions.

This fireplace must be installed with a continuous liner of 6" diameter (CANADA ONLY) extending from the fireplace insert to the top of the chimney. The chimney liner must conform to the class 3 requirements of CAN/ULC-S635, standard for lining systems for existing masonry or factory built chimneys and vents, or CAN/ULC-S640, Standards for lining systems for new masonry chimneys.

(IN U.S.A.)

The appliance when installed, must follow local building codes, in the absence of local building codes, with the current NFPA 211 Standard for Chimneys, fireplaces, vents, and Solid Fuel Burning Appliances

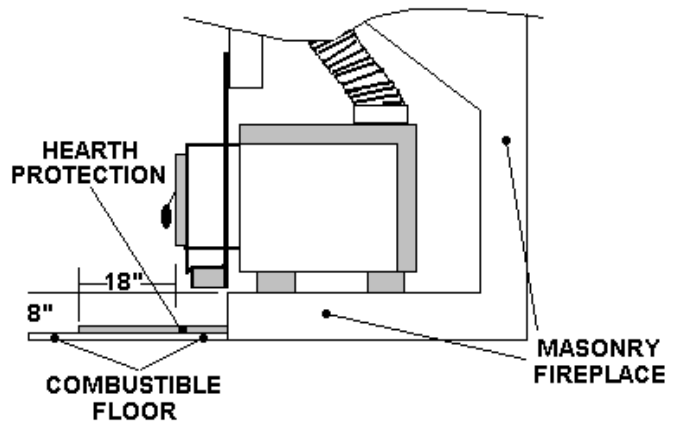
Screw or Nail the metal plate provided form the manufacture to the inside of the fireplace.

METAL TAG: "THIS FIREPLACE HAS BEEN ALTERED TO ACCOMMODATE A FIREPLACE INSERT AND SHOULD BE INSPECTED BY A QUALIFIED PERSON PRIOR TO THE RE-USE AS A CONVENTIONAL FIREPLACE."

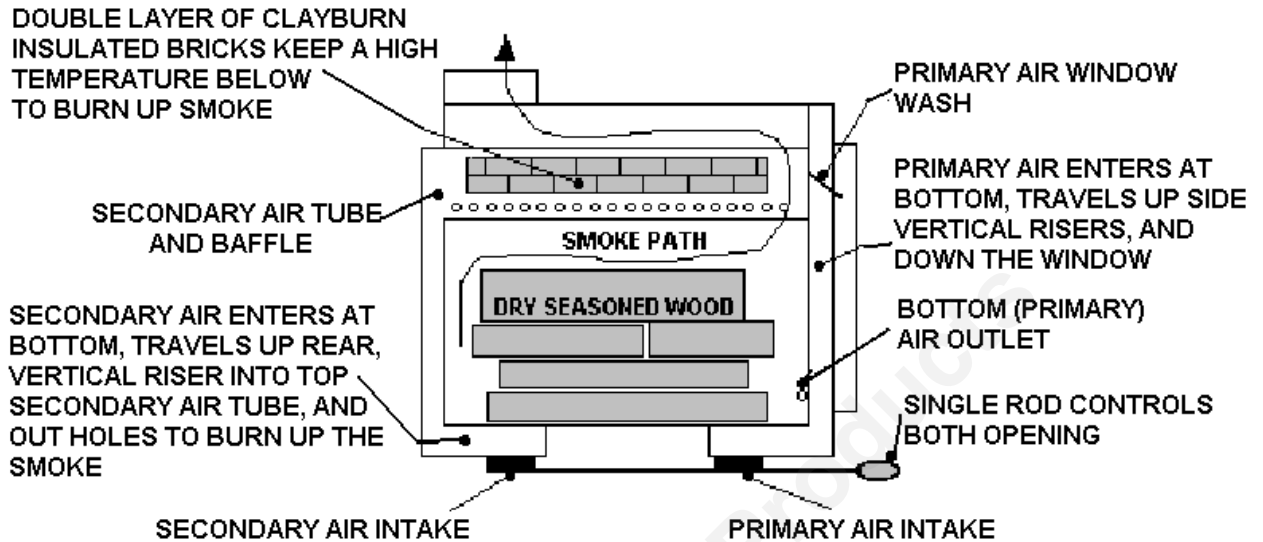
REQUIRED CLEARANCES TO COMBUSTIBLES FROM INSERT:

- Minimum clearances to an unshielded sidewall: 17" (430 mm)
- Minimum clearances to an unshielded mantle: 28" (710 mm)
- Minimum top facing clearance: 28" (710 mm)
- Minimum side facing clearance: 1" (25 mm)

If there is a combustible floor in front of the masonry fireplace, the fireplace insert must be 8" (205 mm) above the combustible floor, and floor protection must be provided 18" (455 mm) in front of the fireplace insert and 8" (205 mm) to each side of the unit.



HOW IT WORKS



SPECIFICATIONS:

	MODEL 1000	MODEL 1600	MODEL 1600fpi	MODEL 2100
WIDTH X DEPTH	24 X 21" (.61 X .53 M)	24 X 25.5" (.61 X .64 M)	24 X 25.5" (.61 X .64 M)	24 X 30" (.61 X .76 M)
HEIGHT ON PEDESTAL	33" (.83 M)	33" (.83 M)	N/A	33" (.83 M)
HEIGHT OF BODY	22" (.56 M)	22" (.56 M)	22" (.56 M)	22" (.56 M)
FUEL CHAMBER DEPTH X WIDTH X HEIGHT	12.5 X 18 X 12" (.3 X .46 X .3 M)	17 X 18 X 12" (.42 X .46 X .3 M)	17 X 18 X 12" (.42 X .46 X .3 M)	21.5 X 18 X 12" (.53 X .46 X .3 M)
CAPACITY	1.7 CU. FT. (.048 M ³)	2.3 CU. FT. (.065 M ³)	2.3 CU. FT. (.065 M ³)	3.1 CU. FT. (.082 M ³)
*APPROXIMATE HEATING AREA	1000 SQ. FT. (85 M ²)	1600 SQ. FT. (150 M ²)	1600 SQ. FT. (150 M ²)	2100 SQ. FT. (200 M ²)
** EPA OUTPUT RATING	11700 to 32700 BTU/Hr	11500 to 33600 BTU/Hr	11500 to 33600 BTU/Hr	11800 to 34000 BTU/Hr
* DURATION ON LOW BURN	5 TO 7 HOURS	7 TO 9 HOURS	7 TO 9 HOURS	9 TO 11 HOURS
WEIGHT WITHOUT BRICKS	311 LBS (141 KG)	356 LBS (161 KG)	337 LBS (152 KG)	414 LBS (187 KG)
WEIGHT OF BRICKS	63.58 LBS (28.9 KG)	83.38 LBS (37.9 KG)	83.38 LBS (37.9 KG)	103.18 LBS (46.9 KG)
E.P.A. EMISSIONS	4.1 G/HR	3.5 G/HR	3.5 G/HR	2.9 G/HR
SURROUND PANELS				
(STANDARD SURROUND)			40" X 28" 101 X 71 CM	
(OVERSIZE SURROUND)			46" X 33" 117 X 84 CM	

*FIGURES WILL VARY CONSIDERABLY WITH FUEL AND CONDITIONS.

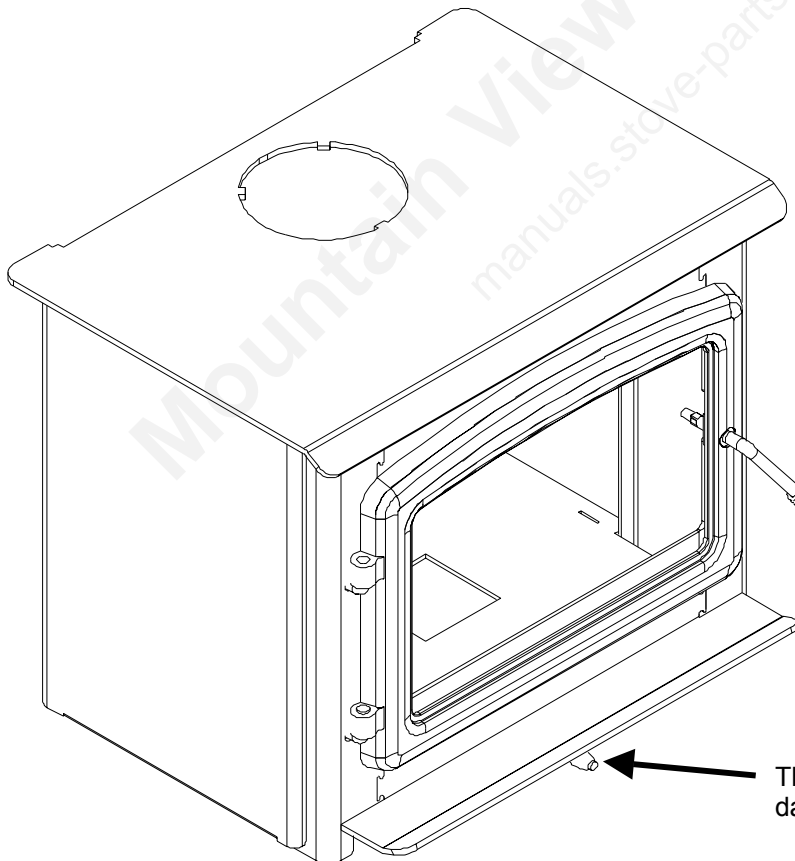
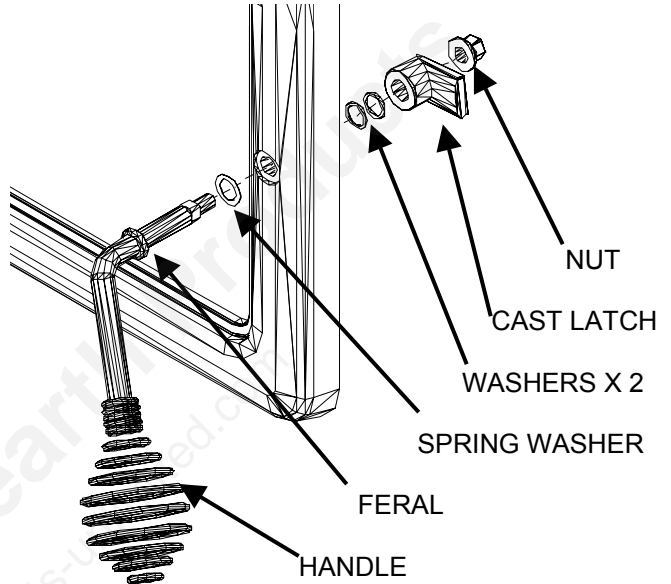
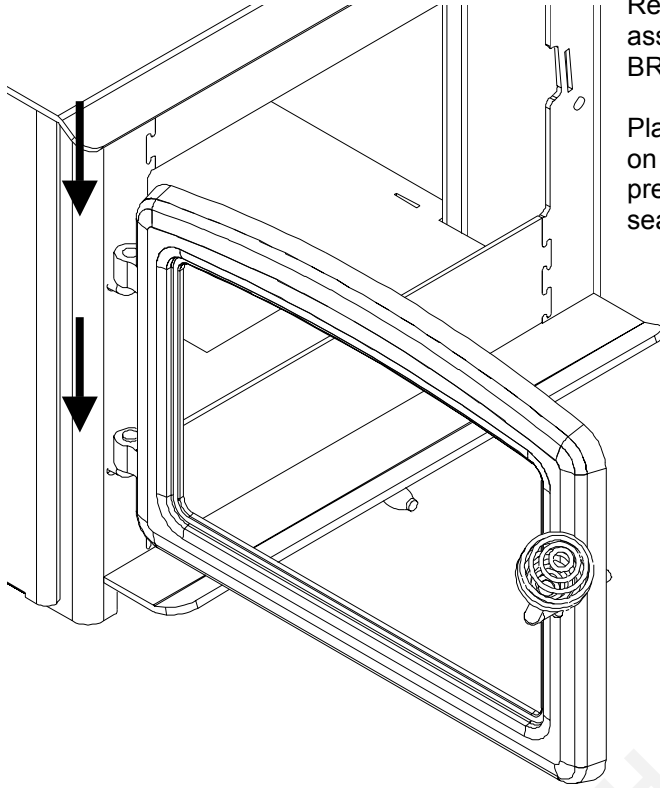
** E.P.A. OUTPUT IS CALCULATED FROM A LOAD OF FIR AVERAGED FROM START UNTIL ENTIRELY CONSUMED. THE ACTUAL HEAT OUTPUT WITH REFUELING IS VERY MUCH GREATER.

CERTIFICATION: THESE STOVES HAVE BEEN TESTED AND LISTED by INTERTEK (ITS) (WH). TO STANDARDS. CSA B366.2/ULC-S627, ULC-S628-M93, UL 1482-1994, MODELS 1000 AND 1600 FREESTANDING UNITS HAVE BEEN TESTED AND LISTED FOR USE IN MOBILE HOMES.

DOOR INSTALLATION

Remove the door from the packaging. Inspect the door assembly for damage. **DO NOT USE DOOR IF GLASS IS BROKEN.**

Place the door assembly on the two hinge pins mounted on the body of the unit. Open and close the door, applying pressure down, to ensure the door assembly is properly seated on the hinges.



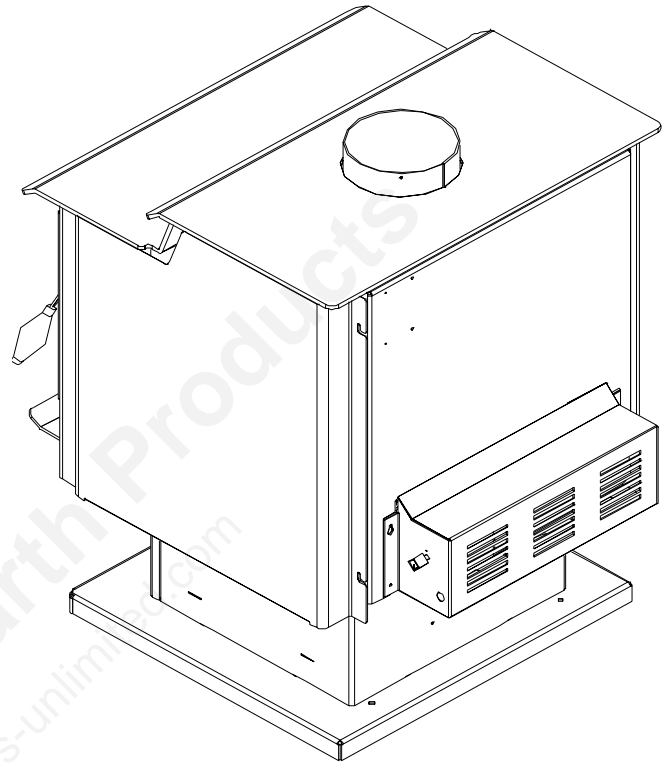
CLOSE THE DOOR ASSEMBLY AND TURN THE DOOR HANDLE DOWNWARDS UNTIL DOOR IS TIGHT

Thread slider damper spring handle onto slider damper control.

OPTIONAL FAN INSTALLATION

The appliance when installed must be electrically connected and grounded in accordance with local codes or in the absence of local codes, with the current CSA C22.1 CANADIAN ELECTRICAL CODE. Part 1, SAFETY STANDARDS FOR ELECTRICAL INSTALLATIONS, or THE NATIONAL ELECTRICAL CODE ANSI / NFPA 70 in the USA.

CAUTION
Label all wires
prior to
disconnection
when servicing
controls. Wiring
errors can cause
improper and
dangerous
operation. Verify
proper operation
after servicing.



- 1) Remove the fan assembly from the box and inspect for any damage to the assembly.
- 2) Remove the metal knock out on the rear of the appliance.
- 3) Install two screws into the top two holes. Place the blower assembly over these two screws and tighten. Install the two bottom screws and tighten.
- 4) Plug the fan assembly in and check for proper operation.

DO NOT cut or remove the grounding prong from the plug. Also do not route the power cord beneath the heater.

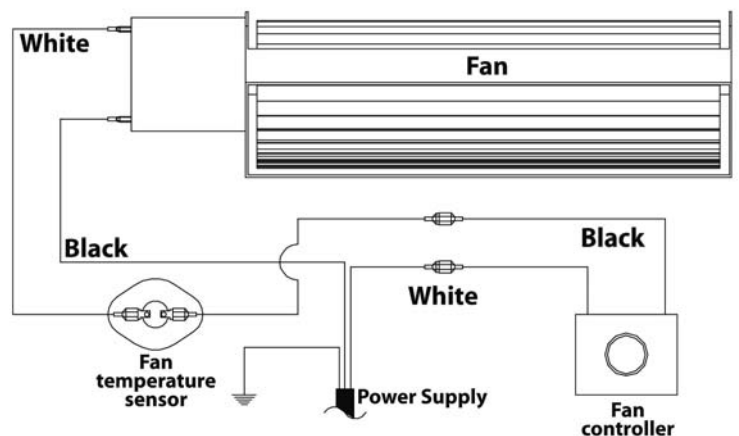
WARNING: ELECTRICAL GROUNDING INSTRUCTIONS.

This appliance is equipped with a three-prong (grounding) plug for your protection against shock hazard and should be plugged into a properly grounded three-prong receptacle.

WIRING DIAGRAM

This is a basic wiring diagram for the option fan installation. Models 1000, 1600, 2100 freestanding units only.

- 1) Plug the fan assembly into a three prong (grounded) receptacle.
- 2) Turn the fan controller to the desired setting.
- 3) Once the unit has reached operating temperature, the fan temperature sensor will turn the fan on automatically.
- 4) When the unit cools down the fan temperature sensor will shut the fan off automatically.



PARTS AND ACCESSORIES

PLEASE CONTACT YOUR LOCAL ENVIRO DEALER WHEN REPLACEMENT PARTS ARE REQUIRED.

10-000	GLASS WITH GASKET
10-001	DOOR HANDLE ASSEMBLY (ROD, CAST LATCH, BRASS SPRING)
10-006	DOOR SPRING HANDLE - BRASS
10-007	DOOR SPRING HANDLE - NICKEL
50-957	SLIDER DAMPER – POST MAR1/01 (1000)
50-958	SLIDER DAMPER – POST MAR2/01 (1600)
50-959	SLIDER DAMPER – POST APR7/01 (2100)
EC-042	POWER CORD
EC-069	CONVECTION BLOWER – 115V
EF-045	FAN CONTROLLER WITH KNOB - 115V
EF-163	WOODSTOVE DOOR SKIN - PAINTED
EF-164	WOODSTOVE DOOR SKIN - GOLD
EF-165	1600 FPI PANEL SET (REGULAR)
EF-166	1600 FPI PANEL SET (OVERSIZE)
EF-168	DOOR GASKET
EF-169A	WOODSTOVE BRICK – 3" x 9"
EF-169B	WOODSTOVE BRICK – 4½" x 9"
EF-169C	WOODSTOVE BRICK – 4½" x 4½"
EF-170	INNER DOOR (B) WITH GLASS AND GASKET
EF-171	SECONDARY AIR TUBE
EF-173	AIR SHUTTER CONTROL, SLIDER DAMPER – PRE MAR1/01 (1000)
EF-174	AIR SHUTTER CONTROL, SLIDER DAMPER – PRE MAR2/01 (1600, 2100)
EF-177	ASH PAN GASKET
EF-178	ASH PAN LATCH
EF-182	REAR SECONDARY AIR CHAMBER (2100)
EF-183	OWNER'S MANUAL
EF-186	FRESH AIR KIT
EF-191	DAMPER HANDLE SPRING - BRASS
EF-197	FREESTANDING ASH DRAWER (1000)
EF-198	FREESTANDING ASH DRAWER (1600, 2100)
EFW-250	SET OF 4 LEGS W / ASH PAN (1000) - PAINTED
EFW-251	SET OF 4 LEGS W / ASH PAN (1000) - GOLD
EFW-252	SET OF 4 LEGS W / ASH PAN (1000) - NICKEL
EFW-253	ONE LEG - PAINTED
EFW-254	ONE LEG - GOLD
EFW-255	ONE LEG - NICKEL
EFW 256	FREESTANDING PEDESTAL (1000)
EFW-257	FREESTANDING PEDESTAL (1600, 2100)
EFW-258	CAST IRON DOOR WITH GLASS PAINTED
EFW-259	CAST IRON DOOR WITH GLASS GOLD
EFW-260	CAST IRON DOOR WITH GLASS NICKEL
EFW-261	FREESTANDING FAN KIT (1000, 1600, 2100)
EFW-262	REGULAR PANEL SET
EFW-263	OVERSIZE PANEL SET
EFW-265	SET OF 4 LEGS WITH ASH PAN (1600, 2100) - PAINTED
EFW-267	SET OF 4 LEGS WITH ASH PAN (1600, 2100) - GOLD
EFW-269	SET OF 4 LEGS WITH ASH PAN (1600, 2100) - NICKEL

WARRANTY

Because of our high standards Sherwood Industries Ltd. can offer a *Lifetime Warranty on all it's wood products. Covered under this warranty are Cabinet Sides, Tops, Pedestals, Surround Panels, Removable Air Channel, and Chassis. These steel components are covered against manufacture's defects for 1 year on parts and labor and for parts only for the next 4 years. Please refer to the warranty agreement for specific details on the coverage of your *Lifetime Warranty.

Sherwood Industries Ltd. offers an unlimited lifetime warranty for the secondary air tube (channel) for parts only and labor for the first year.

Sherwood Industries Ltd. does not offer warranty on the following items:

- Door and Ash Pan gasketing.
- Firebricks.

(A) The following exclusions apply:

GOLD PLATING- Damage caused by scratching, marring, fingerprints, abrasive cleaners, overfiring and discoloration with age.

GLASS- The use of harsh or abrasive cleaners, striking the glass or surface contaminates.

All claims under this warranty are to be made in writing by your dealer:

WHEN FILING A WARRANTY CLAIM PLEASE COMPLETE THE FOLLOWING INFORMATION ON AN OFFICIAL WARRANTY CLAIM FORM:

To the Dealer

- Name, address and telephone number of purchaser and date of purchase.
- Date of installation. Name of installer and dealer. Serial number of the appliance. Nature of complaint, defect or malfunction. Description and part # of any parts replaced.

To the Distributor

- Sign and verify that the work and information is correct.

This warranty covers defects in materials and workmanship only if the product has been installed according to the manual's instructions. If the product is damaged or broken as a result of misuse or mishandling, the warranty does not apply. The warranty does not cover removal and re-installation costs.

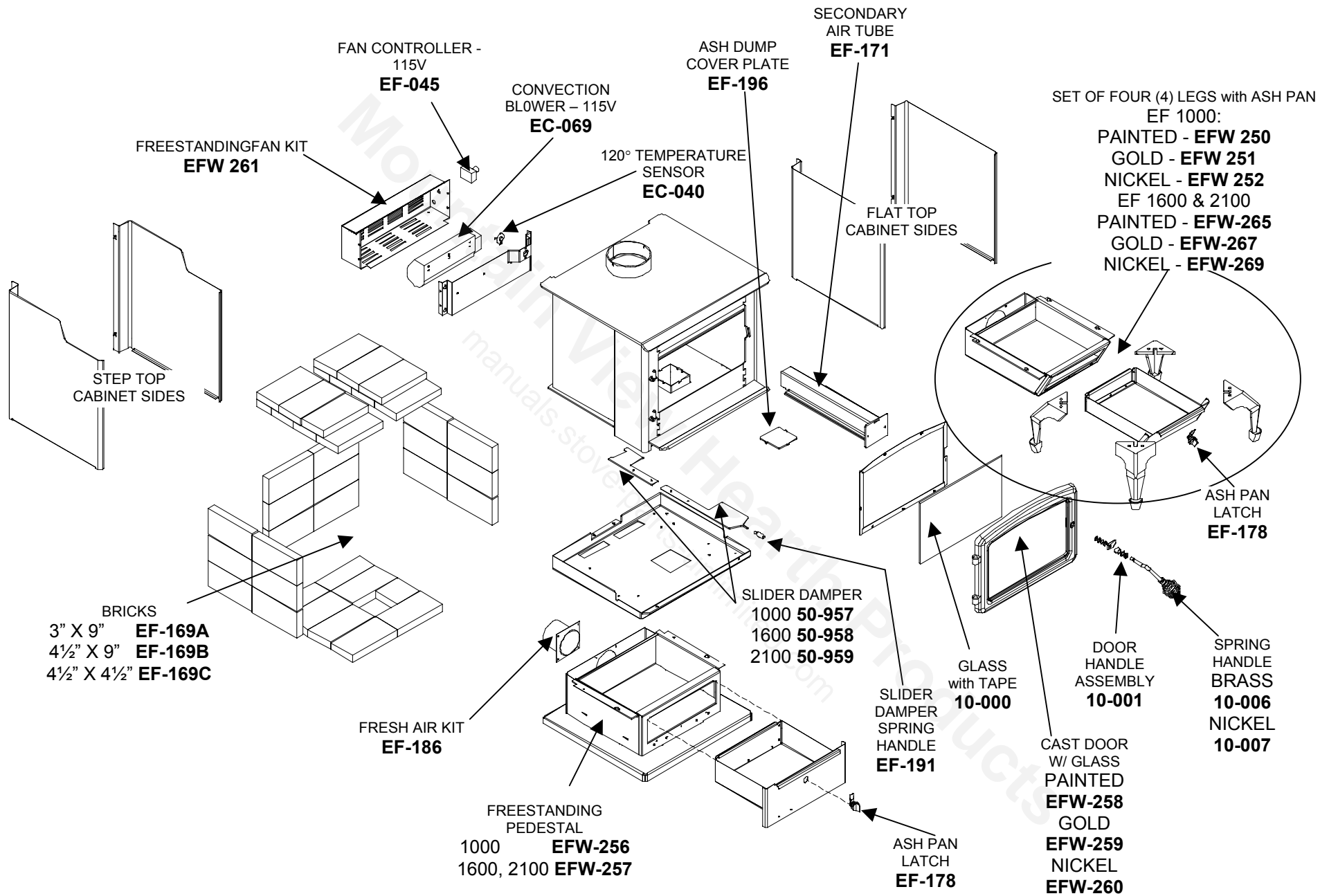
Sherwood Industries Ltd. reserves the right to repair or to replace the defective product. The consumer pays for the shipping costs. All warranties by the manufacture are set forth herein and no claim shall be made against the manufacturer on any oral warranty or representation.

Sherwood Industries Ltd. and its employees or representatives will not assume any damages, either directly or indirectly caused by improper usage, operation, installation, servicing or maintenance of this appliance.

Sherwood Industries Ltd. reserves the right to make changes without notice. Please complete and mail the warranty registration card and have the installer fill in the installation data sheet in the back of the manual for warranty and future reference.

**SHERWOOD INDUSTRIES LTD.
6782 OLDFIELD ROAD
SAANICHTON, BRITISH COLUMBIA
V8M-2A3**

January 27, 2004



WOOD STOVE -COMPONENTS