



SHERWOOD INDUSTRIES IS AN ENVIRONMENTALLY RESPONSIBLE COMPANY. THIS MANUAL IS PRINTED ON RECYCLED PAPER.

PLEASE KEEP THESE INSTRUCTIONS FOR FUTURE REFERENCE



Wood Stove

2100 Freestanding

BY: SHERWOOD INDUSTRIES LTD

OWNER'S MANUAL



Contact your local building or fire officials, or the authority having jurisdiction about restrictions and installation inspection requirements in your area.

PLEASE READ THIS ENTIRE MANUAL BEFORE INSTALLATION AND USE OF THIS WOOD BURNING ROOM HEATER. FAILURE TO FOLLOW THESE INSTRUCTIONS COULD RESULT IN PROPERTY DAMAGE, BODILY INJURY OR EVEN DEATH.



This heater meets the U. S. Environmental Protection Agencies emission limits for wood heaters sold after July 1st, 1988. Under specific conditions this heater has been shown to deliver heat at rates ranging from 11,800 to 34,000 BTU per hour.

50-1084

SAFETY PRECAUTIONS

FOR SAFE INSTALLATION AND OPERATION OF YOUR “ENVIRO” WOODSTOVE, PLEASE CAREFULLY READ THE FOLLOWING INFORMATION:

- Please read this entire manual before you install and use your new heater. Failure to follow these instructions may result in property damage, personal injury, and even death.
- If this appliance is not properly installed, operated and maintained a serious house fire could result. Do not use any makeshift materials during installation.
- Never place wood, paper, furniture, drapes or other combustible materials near the stove, or let children or pets touch it when it is hot.
- Operate only with the door and ash pan tightly closed and burn wood directly on the stove floor. Do not operate if the door glass is broken or a gasket is missing or damaged. Do not alter the combustion air control valves. Dangerous overfiring could occur which could ignite creosote in the chimney or cause a house fire.
- At least 12 inches² (77.4 cm²) of fresh outside air should be admitted into the room or directly to the stove through a 4 inches (10.16 cm) diameter pipe. It would be dangerous to operate the stove with the combustion-air inlet closed.
- Do not burn coal or charcoal as there is a danger of carbon monoxide being produced. Do not use chemical fluids to start or re-fresh the fire. Do not burn garbage or flammable fluids such as gasoline, grease, naphtha or engine oil. Never let the stove become hot enough to get any part red or glowing red.
- Burning wet unseasoned wood could cause excessive creosote accumulation. When ignited it could cause a chimney fire that could result in a serious house fire.
- Do not use grates, andirons or any other methods to support or raise the fire up off the hearth of the appliance.
- In installations where there is constant or frequent high winds, install a flue damper to reduce the effect that high winds have on increasing the draft. A significant increase in draft due to high winds may cause your unit to overfire, which could be hazardous and will void the warranty.



TABLE OF CONTENTS

Safety Precautions.....	2
Table of Contents.....	3
Operating Instructions.....	4
Building Your Fire.....	5
How It Works.....	8
Specifications.....	9
Woodstove Specifications.....	9
Clearances To Combustibles - Freestanding.....	9
Installation.....	10
Pedestal Installation.....	10
Legs And Ash Pan Installation.....	10
Chimney Installation Through Wall.....	11
Installation.....	12
Outside Air.....	13
Installation Of A Listed, Factory Built Chimney.....	13
Brick Placement.....	14
Door Installation.....	15
Optional Fan Installation.....	16
Wiring Diagram.....	16
Parts List.....	17
Parts Diagram.....	18
Warranty.....	19
Installation Data Sheet.....	20

OPERATING INSTRUCTIONS

FIRST START

When first installed, the chimney, firebricks and steel are cold and it usually takes several hours on a fairly high burn for them to become hot and dry enough for the stove to function well. The paint will smell a little for the first time or two as it cures. You may wish to open a door or window to eliminate the smell.

DRAFT CONTROL:

Located on the front of the stove just below the ash sill is the Slider Air Damper. This damper will control the amount of air to the fire. Pull this control all the way out when first starting the stove. Once the fire has been established you may adjust this control to set the burn rate of the fire. If this damper is closed at first start up the fire will burn very slowly and could soot the appliance.

FANS:

All models have been approved for operation with or without the optional fans supplied by the manufacturer. On medium or high burns, using a fan will increase the heat transfer slightly. Route the power supply cord along the floor behind the stove where it will remain cool.

DISPOSAL OF ASHES:

If you let the ashes accumulate two or three inches on the floor they tend to burn themselves up. Open the small trap door located on the floor of the unit. Push the ashes that have accumulated into the hole where the ashes would drop into the ash pan. Ensure that the trap door is closed properly before relighting the unit. When necessary put the ashes in a metal container with a tightly fitting lid. Place the closed container on a non-combustible floor, well away from combustible materials. If the ashes are to be buried in soil or otherwise locally dispersed, keep them in a closed container until all cinders have cooled. If your model has an ash pan, be sure to latch the ash pan tightly when finished. Small amounts of cold wood ash can be used in the garden or compost.

REPLACING THE GLASS:

Never strike or slam the door, hit the glass or let burning wood rest against it. If the glass cracks when the fire is burning, do not open the door until the fire is out and do not operate the stove again until the glass has been replaced, preferably by your dealer. To remove the door, open and lift. To replace the glass, remove the steel retaining clips and all loose glass. Replace only with Neoceram 5 mm glass self-adhesive fiberglass gasket; The use of substitute materials is prohibited use only part 10-000.

FIRE EXTINGUISHER AND SMOKE DETECTION:

All homes with a solid fuel burning stove should have at least one fire extinguisher in a central location known to all in the household, and at least one smoke detection device in the room containing the stove. If it sounds the alarm, correct the cause but do not deactivate or relocate the smoke detection device.

CREOSOTE - ITS FORMATION AND REMOVAL:

When wood is burned slowly, it may produce tar and other vapors that combined with moisture form creosote. These vapors condense in the relatively cooler chimney flue of a slow burning fire, and if ignited, make an extremely hot fire. So, the smoke pipe and chimney should be inspected bi-weekly during the heating season to determine if a build-up has occurred. If creosote has accumulated it should be removed to reduce the risk of a chimney fire.

OPERATING INSTRUCTIONS

CHIMNEY OR RUN AWAY FIRE:

1. Call local fire department (or dial 911)
2. Close the draft fully
3. Examine flue pipes, chimney, attic, and roof of the house, to see if any part has become hot enough to catch fire. If necessary spray with fire extinguisher or water from the garden hose.
4. Do not operate the stove again until you are certain the chimney and its lining have not been damaged.

MAINTENANCE:

At the end of each heating season clean the chimney and the smoke pipe. If soot has accumulated above the top baffle bricks, remove, clean, and then replace them. If the secondary air tube is badly eroded, replace it. Replace worn door gaskets and broken bricks as needed.

FAILURE TO INSPECT AND CLEAN YOUR CHIMNEY SYSTEM REGULARLY CAN RESULT IN A CHIMNEY FIRE, WHICH COULD DAMAGE THE CHIMNEY OR CAUSE A HOUSE FIRE.

BUILDING YOUR FIRE:

Proper operation of your stove will help to ensure safe, efficient heating. Please take a few moments to review these simple operating procedures.

1. Fuel Selection:

This stove is designed to burn natural wood only. Higher efficiencies and lower emissions generally result when burning air-dried seasoned hardwoods, as compared to softwoods or to green or freshly cut hardwoods. **DO NOT BURN** the following: treated wood, coal, garbage, solvents, colored papers, or trash. Burning these may result in the release of toxic fumes and may poison or render the catalytic ineffective. Burning coal, cardboard, or loose paper can produce soot, or large flakes of char or fly ash that can coat the combustor, causing smoke spillage into the room, and rendering the combustor ineffective.

2. Building/Maintaining a Fire:

- a) Open the primary air slide by pulling it all the way to the right.
- b) Place a base of crumpled uncolored newspaper in the bottom of the stove. Lay pieces of kindling on top of the newspaper and light it.

CAUTION: "Never use gasoline, gasoline-type lantern fuel, kerosene, charcoal lighter fluid, or similar liquids to start or "freshen up" a fire in this heater. Keep all such liquids well away from heater while it is in use.

- c) As the kindling begins to burn, add several larger pieces of wood until the fire is burning well. At this point, regular size logs may be added.

NOTE: Until the fire is burning well, leave the draft controls fully open.

- d) Regulate the heat output of the stove by adjusting the draft controls to allow a larger fire and vice versa. A short period of experimentation with the control settings will allow you to regulate the heat output to keep your home comfortable.

Do not use a grate or elevate the fire. Build wood fire on the stove firebox hearth floor.

OPERATING INSTRUCTIONS

3. Refueling the Stove:

Use a long pair of gloves (barbecue gloves) when feeding the fire because these stoves burn at the front they are clean and efficient, but they are also very hot and gloves are useful. Keep a small steel shovel and whisk nearby for moving a log or lifting a fallen ember and for keeping the hearth clean.

- a) Before attempting to add fuel to the stove, OPEN the damper control fully by pulling it all the way out. This allows the chimney to carry away the additional smoke, which occurs when the door is open.
- b) **DO NOT OVERLOAD THE STOVE.** Normally, three or four logs will provide heat for several hours. Never operate this stove where portions glow red hot.
- c) **DO NOT OVERFIRE.** If the heater or chimney connector glows, you are overfiring.
- d) **CAUTION: DO NOT PLACE FUEL WITHIN SPACE HEATER INSTALLATION CLEARANCES OR WITHIN THE SPACE REQUIRED FOR CHARGING AND ASH REMOVAL.**

4. For Maximum Efficiency:

When the stove is hot, load it fully to the top of the door opening, and burn at medium low settings. When the fuel is mostly consumed, leaving a bed of red coals, repeat the process. Maximum heat for minimum fuel occurs when the stove top temperature is between 250 °F (120 °C) and 550 °F (290 °C). The most likely causes of dirty glass are: not enough fuel to get the stove thoroughly hot, burning green or wet wood, closing the draft until there is insufficient air for complete combustion, or a weak chimney draw. Indeed, the cleanness of the glass is a good indicator of the stove operating efficiently.

Helpful Hints Worth Repeating

1. Helpful advice on the correct way to start your fire.

- a) You will need small pieces of dry wood, called kindling, and paper. Use only newspaper or paper that has not been coated or had other materials glued or applied to it. Never use coated (typically advertising flyers) or coloured paper.
- b) Always open the door of the woodstove slowly to prevent suction and drawing smoke into the room.
- c) Crumple several pieces of paper and place them in the center of the firebox and directly onto the firebricks of the wood stove. Never use a grate to elevate the fire.
- d) Place small pieces of dry wood (kindling) over the paper in a "teepee" manner. This allows for good air circulation, which is critical for good combustion.
- e) Light the crumpled paper in 2 or 3 locations. Note: It is important to heat the air in the stovepipe for draft to start.
- f) Fully open the air controls of the wood stove and close the door until it is slightly open, allowing for much needed air to be introduced into the firebox. Never leave the door fully open, as sparks from the kindling may fly out of the stove, causing damage or injury. As the fire begins to burn the kindling, some additional kindling may be needed to sustain the fire. DO NOT add more paper after the fire has started.
- g) Once the kindling has started to burn, add some smaller pieces of seasoned, dry firewood. Note: Adding large pieces at the early stages will only serve to smother the fire. Continue adding small pieces of seasoned dry firewood, keeping the door slightly open until each piece starts to ignite. Remember to always open the door slowly between placing wood into the fire.
- h) Once the wood has started to ignite and the smoke has reduced, close the wood stove door fully. The reduction of smoke is a good indication that the draft in the chimney has started and good combustion is now possible. Larger pieces of seasoned, dry firewood can now be added when there is sufficient space in the firebox. Adjust the air control setting to desired setting. Note: The lower the air control setting, the longer the burn time of your firewood.

OPERATING INSTRUCTIONS

2. What type of wood is best to use as firewood?

Both hardwood and softwood burn well in this stove. Both woods contain about 8,000 BTU/lb (18,570 KJ/Kg), but hardwood is generally denser, will weigh more per cord, and burns a little slower and longer. Cutting firewood so that it will fit horizontally, front to back, makes it easier loading and less likely for the fuel to roll on the glass. Except for a cold start, there is no need to crisis-cross the logs. Ideal length would be about 18" (3457 mm) for the 2100. Burn only dry, seasoned wood. It produces more heat and less soot or creosote. Freshly cut wood has about 50% moisture. A 10 pound (4.5 Kg) log contains 5 pound (2.3 Kg) of water. To season firewood split and stack it so that air can get to all parts of the wood. Burn beach wood only if its salt content has been washed away in a season of rain and then the wood dried. To prevent smoke spillage, when refueling, open the door slowly.

3. What does dry, seasoned wood mean?

Wood that has been dried for a period of one year in a well-ventilated and sheltered area would be considered dry, seasoned wood. Wood from slow-growing trees is generally considered better than wood from fast-growing trees. To season firewood split and stack it so that air can get to all parts of the wood.

4. Will following the above-listed steps for starting a fire mean perfect results every time?

The quick answer is 'most of the time'. There are many variables that may affect your success when starting a fire. Most of those variables and how to deal with them will be learned through experience. Your ability to start a good fire will significantly increase with time and patience. Some of the reasons for poor stove performance will be covered in the next section of these instructions.

5. Why can't I get the fire lit?

Damp or wet wood and poor drafts are the main reasons for poor results in starting a fire. Always use dry, seasoned wood for your fire. Even wood dried for two years will be difficult to ignite if it has become wet.

6. Is it normal for soot to cover the glass at the beginning of a fire?

Your stove has been built with an air-wash system that will help keep the glass clear when the firebox has reached a good operating temperature and has a good draft. Normally a hot stove will keep the glass clean, but if you must clean the glass, use a soft cloth with no abrasive and clean only when cold. Cold firebox temperature and poor draft cause sooting of the glass. Once the firebox temperature and the draft increase, the soot will burn off.

7. What is draft?

Draft is the ability of the chimney to exhaust or draw smoke produced during the normal combustion process. Too much draft may cause excessive temperatures in the appliance and may damage the appliance*. Inadequate draft may cause backpuffing or "plugging" of the chimney. There is a certain amount of draft that is required to allow for your stove to function at its' highest efficiency. A water column gauge can be used to reference this amount.

OPERATING INSTRUCTIONS

8. What can cause a poor draft?

The most common factors for poor draft are:

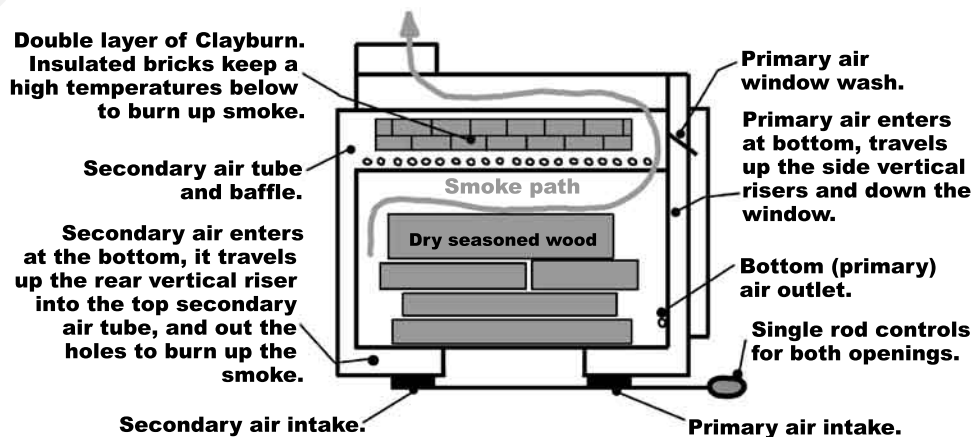
- Air supply
 - Environmental conditions
 - Cold chimney temperature
 - Poor chimney installation and maintenance
 - Atmospheric pressure
- a) Air supply – Inside the home, normal household appliances such as clothes dryers and forced-air furnaces compete for air, resulting in air starvation to the fire. This creates a condition in the house known as negative pressure. When a house experiences negative pressure, the combustion gases can be drawn from the chimney and into the house. This condition is commonly referred to as down drafting. Increased amounts of insulation, vinyl windows, extra caulking in various places and door seals can all keep heat in but may also make a home too airtight. An easy way to stop negative pressure in a home is to crack a window in the room containing the stove.
- b) Environmental Conditions - High trees, low-lying house location such as in a valley, tall buildings or structures surrounding your house and windy conditions can cause poor draft or down drafting.
- c) Cold Chimney Temperature - Avoid cold chimney temperatures by burning a hot fire for the first fifteen to forty minutes, being careful not to over-fire the stove. If any part of the chimney or parts of the stove starts to glow, you are over-firing the stove. Where possible, install a temperature gauge on the chimney so temperature drops can be seen.
- d) Chimney Installation and Maintenance - Avoid using too many elbows or long horizontal runs or height of your chimney. If in doubt, contact a chimney expert and/or chimney manufacturer for help. Clean chimney, rain caps and especially spark arrestor regularly, to prevent creosote build-up, which will significantly reduce chimney draw and possibly a chimney fire.

9. Should I close or open the air control fully when shutting down the stove?

When shutting down the stove, fully open the air control. This allows the chimney temperatures to remain as high as possible for as long as possible. Cold chimney temperatures create creosote.

Note: These instructions are intended as an aid and do not supercede any local, provincial or state requirements. Check with officials or authorities having jurisdiction in your area.

How It Works:



SPECIFICATIONS

WOOD STOVE SPECIFICATIONS:

Model	2100 Freestanding
Width x Depth	24" x 30" (610 mm x 762 mm)
Height with pedestal or legs	33" (838 mm)
Height of body	22" (559 mm)
Fire box size (depth x width x height)	21½" x 18" x 12" (546 mm x 457 mm x 305 mm)
Capacity	3.1 feet ³ (0.0878 meter ³)
* Approximate heating area	2100 feet ² (195.1 meter ²)
**E.P.A. output rating	11,800 to 34,000 BTU/hour (3,455 to 9,956 watt)
*Duration on low burn	9 to 11 hours
Weight without bricks	414 pound (188 Kg)
Weight of bricks	103.2 pound (46.8 Kg)
E.P.A. Emissions	2.9 grams/hour (0.102 oz/hour)

* Figures Will Vary Considerably With Fuel And Conditions.

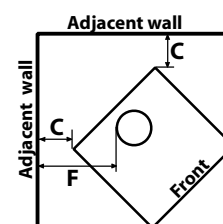
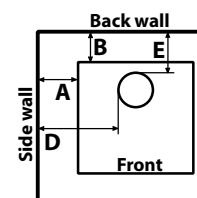
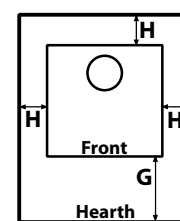
** E.P.A. output is calculated from a load of fir averaged from start until entirely consumed. The actual heat output with refueling is very much greater.

CERTIFICATION: these stoves have been tested and listed by Intertek (ITS) (WH) to standards CSA B366.2/ULC-S627, ULC-S628-M93, UL 1482-1994.

CLEARANCES TO COMBUSTIBLES - FREESTANDING:

MAINTAIN THESE MINIMUM CLEARANCES TO UNSHIELDED COMBUSTIBLES*

		With Single Wall Pipe
A	From side wall to side of unit	22" (559 mm)
B	From rear wall to back of unit	12" (305 mm)
C	From adjacent wall to corner of unit	8" (203 mm)
D	From side wall to collar	31" (787 mm)
E	From rear wall to collar	16½" (419 mm)
F	From adjacent wall to collar	19" (483 mm)
G	† From front of unit to edge of hearth pad	18" (457 mm)
H	† From side/back of unit to edge of hearth pad	8" (203 mm)



CAUTION: An uninsulated smoke pipe must not pass through an attic, roof space, closet or similar concealed space, or through a floor, ceiling, wall, or partition, or any combustible construction.

† **FLOOR PROTECTION:** If a stove is installed on a combustible floor, it must have a pedestal attached and be on a NON COMBUSTIBLE hearth pad.

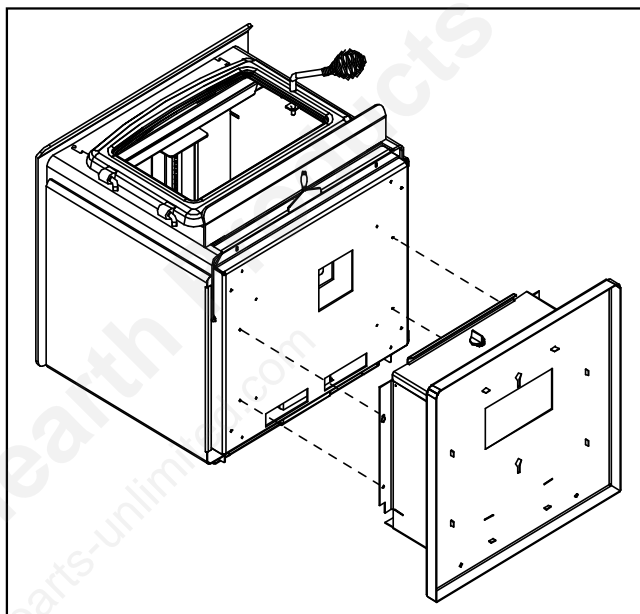
INSTALLATION

Please read and understand these instructions before installing pedestal or ash pan and leg option.

Failure to follow these instructions carefully could cause personal injury or property damage. All screws are pre installed on the base of the unit.

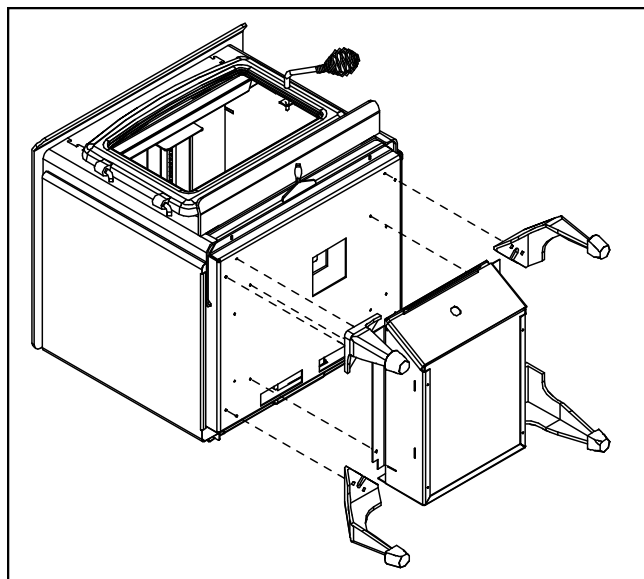
PEDESTAL INSTALLATION:

- Remove the bricks from the unit before starting.
- Loosen the two (2) carriage bolts that secure the unit to the pallet. Slide the pallet towards the front to release carriage bolts from the key holed slots in the unit. Place the unit on the pallet on its back.
- Slide the pedestal assembly over the bolts located on the base of the unit using the key holed slots provided.
- Tighten all four (4) bolts ensuring the pedestal is properly aligned to the edges of the unit.
- Ensure that the gasket material is properly sealed before continuing.
- Stand the unit on the pedestal and set the unit in the location ready for installation.
- If fresh air supply is being supplied from the bottom of the unit please install the cover plate supplied to the rear of the pedestal covering the 4 inch (10 cm) hole.



LEGS AND ASH PAN INSTALLATION:

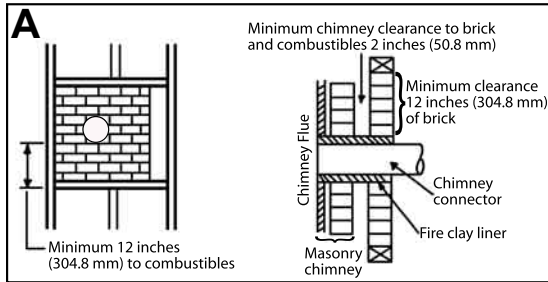
- Remove the bricks from the unit before starting.
- Loosen the two (2) carriage bolts that secure the unit to the pallet. Slide the pallet towards the front to release carriage bolts from the key holed slots in the unit. Place the unit on the pallet on its back.
- Slide the ash pan assembly over the bolts using the key holed slots provided and tighten all four (4) bolts.
- Ensure that the gasket material is properly sealed before cleaning.
- Carefully remove the cast iron legs from the packaging and secure each leg with two (2) bolts provided.
- Secure all four (4) legs, push the leg towards the center of the stove and align the legs with the outer edges of the firebox.
- Stand the unit on the legs and set the unit in the location ready for installation



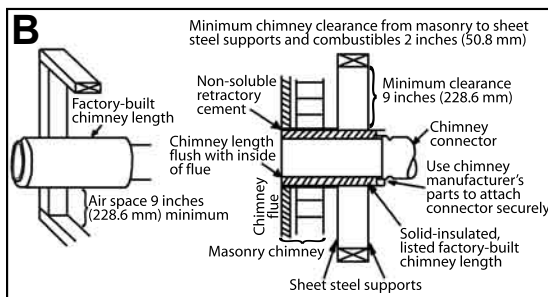
INSTALLATION

CHIMNEY INSTALLATION THROUGH WALL:

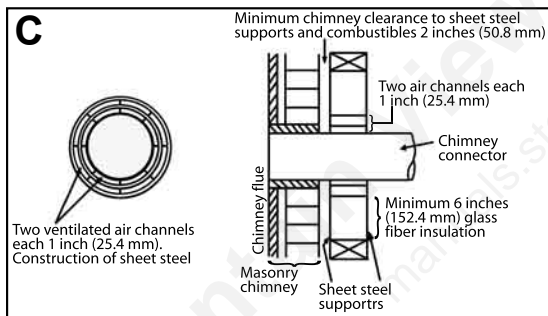
Here are four methods of combustible wall chimney connector pass-throughs. This information was provided from NFPA 211.



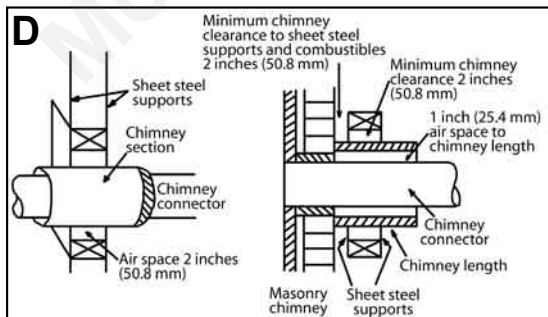
Method A. 12" (304.8 mm) Clearance to Combustible Wall Member: Using a minimum thickness 3.5" (89 mm) brick and a 5/8" (15.9 mm) minimum wall thickness clay liner, construct a wall pass-through. The clay liner must conform to ASTM C315 (Standard Specification for Clay Fire Linings) or its equivalent. Keep a minimum of 12" (305 mm) of brick masonry between the clay liner and wall combustibles. The clay liner shall run from the brick masonry outer surface to the inner surface of the chimney flue liner but not past the inner surface. Firmly grout or cement the clay liner in place to the chimney flue liner.



Method B. 9" (229 mm) Clearance to Combustible Wall Member: Using a 6" (152 mm) inside diameter, factory-built Solid-Pak chimney section with insulation of 1" (25.4 mm) or more, build a wall pass-through with a minimum 9" (229 mm) air space between the outer wall of the chimney length and wall combustibles. Use sheet metal supports fastened securely to wall surfaces on all sides, to maintain the 9" (229 mm) air space. When fastening supports to chimney length, do not penetrate the chimney liner (the inside wall of the Solid-Pak chimney). The inner end of the Solid-Pak chimney section shall be flush with the inside of the masonry chimney flue, and sealed with a non-water soluble refractory cement. Use this cement to also seal to the brick masonry penetration.



Method C. 6" (152.4 mm) Clearance to Combustible Wall Member: Starting with a minimum 24 gauge (.024" [0.6 mm]) 6" (152.4 mm) metal chimney connector, and a minimum 24 gauge ventilated wall thimble which has two air channels of 1" (25.4 mm) each, construct a wall pass-through. There shall be a minimum 6" (152.4 mm) separation area containing fiberglass insulation, from the outer surface of the wall thimble to wall combustibles. Support the wall thimble, and cover its opening with a 24 gauge minimum sheet metal support. Maintain the 6" (152.4 mm) space. There should also be a support sized to fit and hold the metal chimney connector. See that the supports are fastened securely to wall surfaces on all sides. Make sure fasteners used to secure the metal chimney connector do not penetrate chimney flue liner.



Method D. 2" (50.8 mm) Clearance to Combustible Wall Member: Start with a solid-pak listed factory built chimney section at least 12" (304 mm) long, with insulation of 1" (25.4 mm) or more, and an inside diameter of 8" (2" [51 mm] larger than the 6" [152.4 mm] chimney connector). Use this as a pass-through for a minimum 24 gauge single wall steel chimney connector. Keep solid-pak section concentric with and spaced 1" (25.4 mm) off the chimney connector by way of sheet metal support plates at both ends of chimney section. Cover opening with and support chimney section on both sides with 24 gauge minimum sheet metal supports. See that the supports are fastened securely to wall surfaces on all sides. Make sure fasteners used to secure chimney flue liner.

NOTES:

1. Connectors to a masonry chimney, excepting method B, shall extend in one continuous section through the wall pass-through system and the chimney wall, to but not past the inner flue liner face.
2. A chimney connector shall not pass through an attic or roof space, closet or similar concealed space, or a floor, or ceiling.

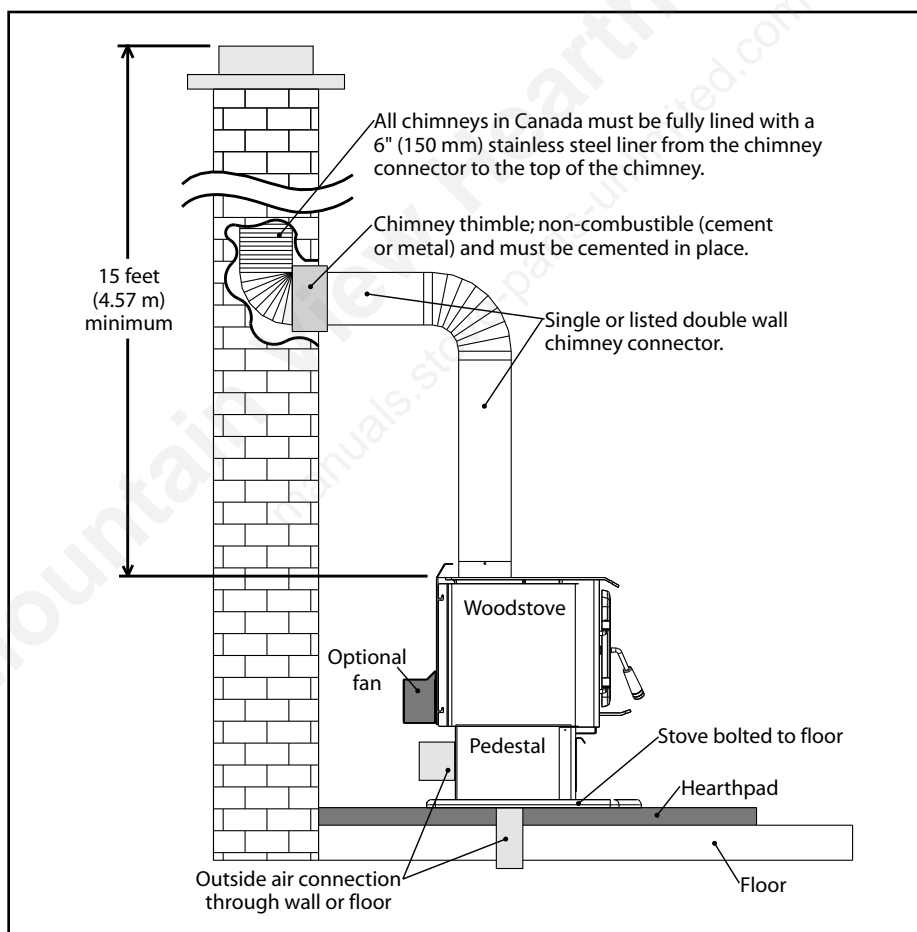
INSTALLATION

INSTALLATION:

A non-combustible floor protector is required under all freestanding units, refer to "Clearances To Combustibles - Freestanding". When venting into a masonry chimney the floor protector must be installed directly below the chimney vent and 2" (50.8 mm) on either side of the chimney vent.

Vent the stove into a clean, lined, approved masonry chimney in good condition, conforming to local building codes or a listed 6" (150 mm) factory built chimney suitable for use with solid fuels and conforming to, ULC-S629 in CANADA or UL-103HT in the U.S.A.. Connect the stove to this chimney with a short and straight 6" (150 mm), 25 gauge or heavier, single wall black or blued steel smoke pipe. Connection to all masonry chimneys must be a metal or masonry thimble cemented in place. All smoke pipes must slope upwards, all connections must be tight and secured with three sheet metal screws equally spaced. The smoke pipe length should not exceed 40% of the chimney height above the stove.

DO NOT CONNECT THIS UNIT TO A CHIMNEY FLUE SERVING ANOTHER APPLIANCE.



NOTE: In installations where there is constant or frequent high winds, install a flue damper to reduce the effect that high winds have on increasing the draft. A significant increase in draft due to high winds may cause your unit to overfire, which could be hazardous and will void the warranty.

INSTALLATION

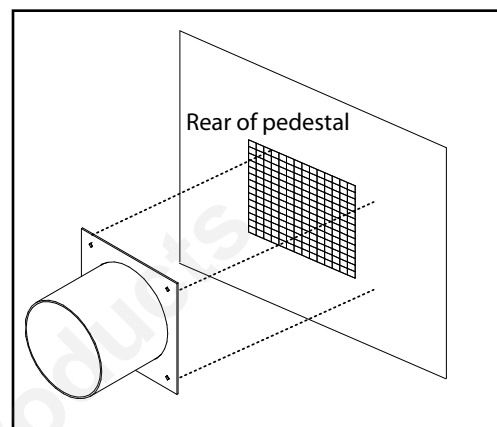
OUTSIDE AIR:

A 4" (10.2 cm) fresh air adapter kit is available. This adapter can be installed either on the back pedestal or through the floor under the pedestal.

Place the ¼" mesh screen between the fresh air adapter and the body of the pedestal (as shown to right).

NOTE: Fresh air connection to the unit must be a non combustible pipe, example: 4" (10.2 cm) single wall aluminum flex pipe.

NOTE: Remove the 4" (10.2 Cm) knock out on the rear of the pedestal if room air is to be used for combustion air



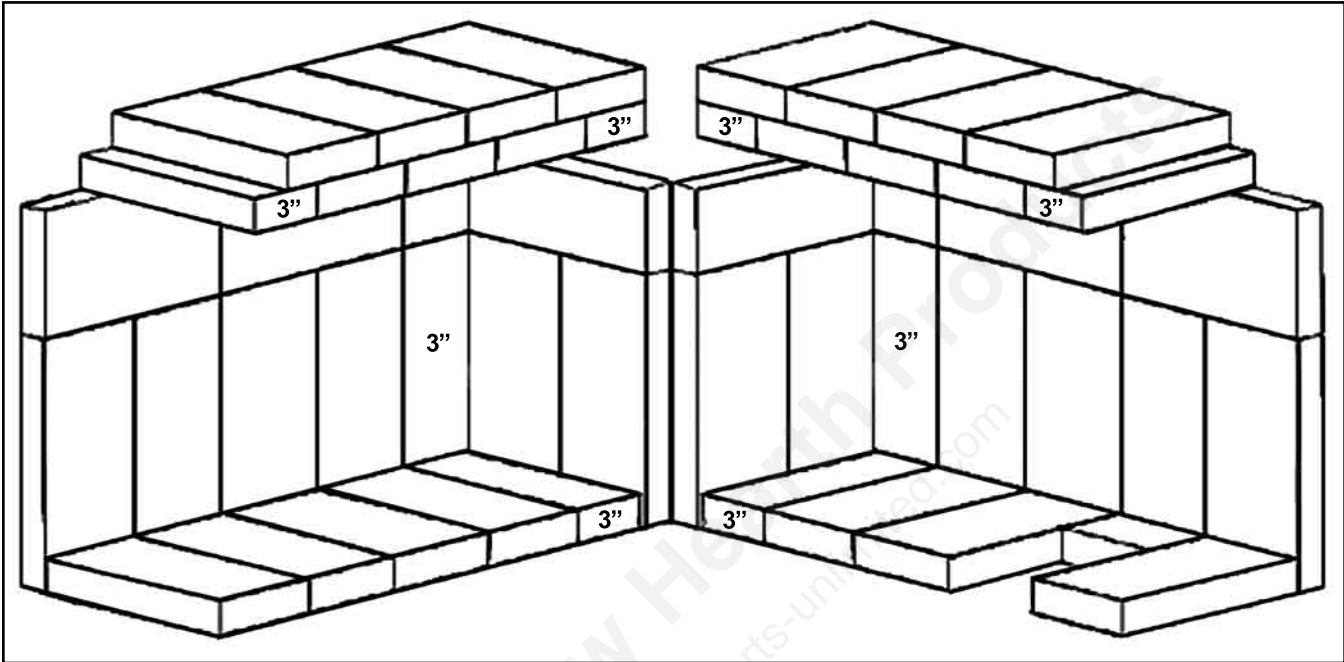
INSTALLATION OF A LISTED, FACTORY BUILT CHIMNEY:

1. Set floor protector and stove in location in accordance with the "Clearances To Combustibles - Freestanding"
2. Mark the position for the ceiling hole by using a plumb bob.
3. Move this location, if necessary, to avoid floor joists, ceiling rafters while still maintaining required clearances.
4. Mark the hole for the outside air kit.
5. Move the stove out of the way.
6. Cut a pilot hole in the ceiling.
7. Cut a hole for the ceiling penetration components and frame in the sides of the hole in both the ceiling and roof. Check, and follow chimney manufacturer's instructions for all of these steps.
8. Install the support box and chimney through the roof. Install the slip section for the chimney connector.
9. Slip the roof flashing over the chimney and secure to the roof, being careful to keep the pipe centered in the opening. To meet the code, the chimney must extend above the roof at least 3 feet (91.4 cm), and 2 feet (60.9 cm) above any area of the roof, within 10 feet (304.8 cm) of the end of the chimney.
10. Be sure all pieces including outside rain cap, flange, collar and pipe are installed and then place the stove back into position.
11. Install the smoke pipe with the lower (crimped) edge of the pipe inside the smoke collar. Any creosote formed will then run back down into the stove. All connections must be tight and secured with three sheet metal screws equally spaced.
12. Also install an outside air flex pipe to the stove.

INSTALLATION

BRICK PLACEMENT:

COMPLETE THE STOVE AND SMOKE PIPE INSTALLATION BEFORE PLACING THESE BRICKS.



1. Place the bottom layers of the sides and back of the firebox.
2. Place the floor bricks. The spaces between the bricks will soon fill with ashes.
3. Finish the sides and back ready to accept the top, ceiling bricks.
4. On the right and left sides, leave the front top brick out and install this brick last. Start with a 3" wide brick first, lift this brick up and rest the brick on the center baffle plate and the top of the side bricks, make sure that it is slid all the way to the back of the stove. Place a full width brick next, and then place another full width brick on the top so that all the joints are staggered. Complete both sides of the ceiling bricks in this manner.
5. Install the last two bricks in the right and left side, uppermost front corners.
6. Make sure that all bricks are secure before starting a fire in this unit.

Remove the ceiling bricks and clean above them once a year. Replace any broken bricks. When replacing bricks use only Clayburn type fire bricks.

TOTAL BRICKS:

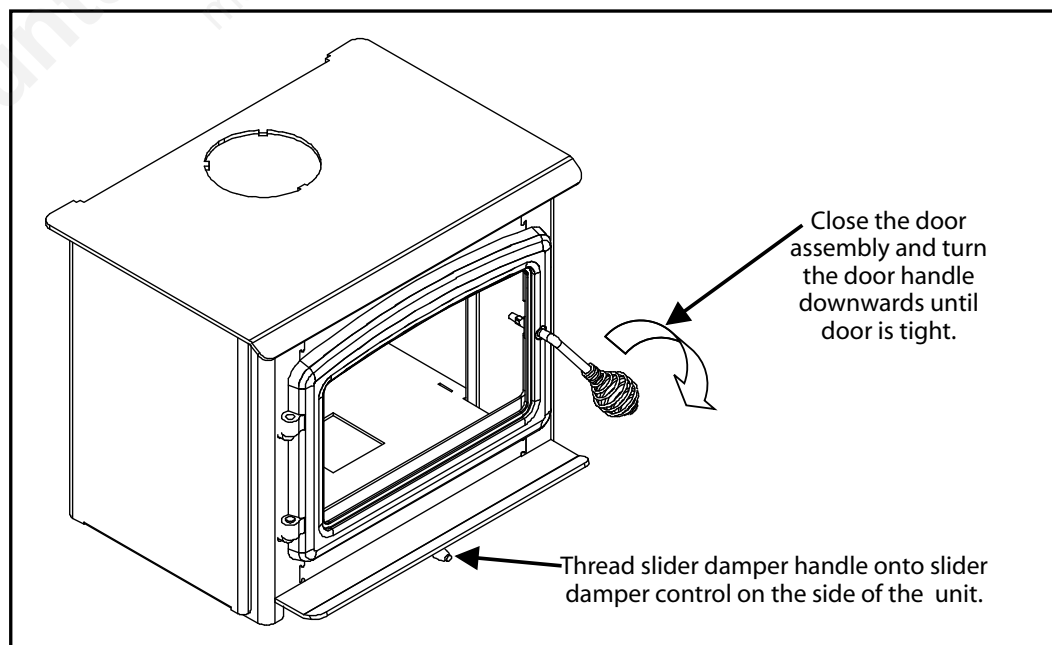
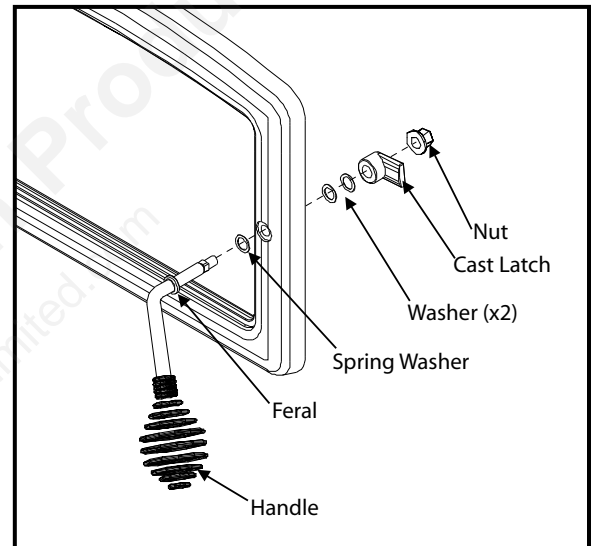
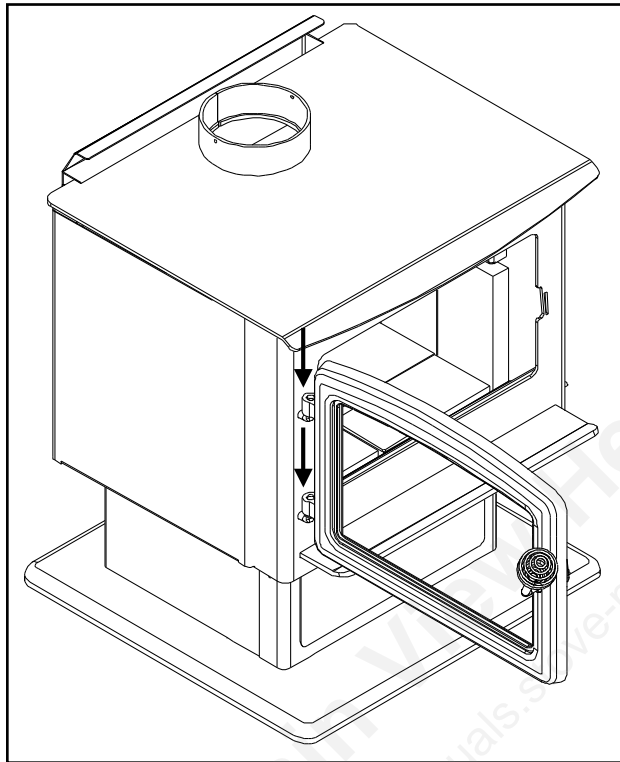
- | | | |
|-----------------------|----------------------------------|--|
| 39 - Full size bricks | 9" long x 4½" wide x 1.25" thick | (22.9 cm long x 11.4 cm wide x 3.2 cm thick) |
| 8 - Partial bricks | 9" long x 3" wide x 1¼" thick | (22.9 cm long x 7.6 cm wide x 3.2 cm thick) |
| 3 - Half brick | 4½" long x 4½" wide x 1¼" thick | (11.4 cm long x 11.4 cm wide x 3.2 cm thick) |

INSTALLATION

DOOR INSTALLATION:

Remove the door from the packaging. Inspect the door assembly for damage. **DO NOT USE DOOR IF GLASS IS BROKEN.**

Place the door assembly on the two (2) hinge pins mounted on the body of the unit. Open and close the door, applying pressure down, to ensure the door assembly is properly seated on the hinges.



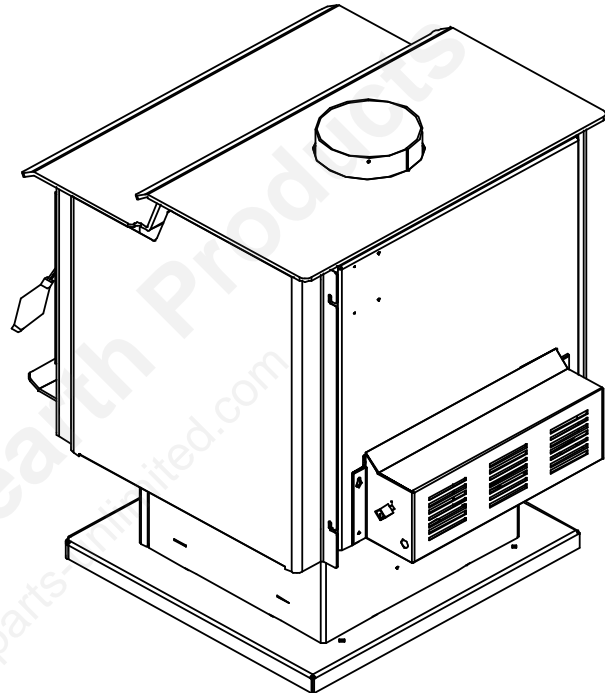
INSTALLATION

OPTIONAL FAN INSTALLATION:

This appliance when installed, must be electrically connected and grounded in accordance with local codes or in the absence of local codes, with the current CSA C22.1 CANADIAN ELECTRICAL CODE. Part 1, SAFETY STANDARDS FOR ELECTRICAL INSTALLATIONS, or THE NATIONAL ELECTRICAL CODE ANSI / NFPA 70 in the USA.

CAUTION

Label all wires prior to disconnection when servicing controls. Wiring errors can cause improper and dangerous operation. Verify proper operation after servicing.



- 1) Remove the fan assembly from the box and inspect for any damage to the assembly. Contact your dealer or courier if there is damage.
- 2) Remove the knock out at the bottom of the back panel of the appliance by using a flat head screwdriver as a lever, hook the tip of the screwdriver under the panel beside the tabs and push the panel out.
- 3) Install two (2) screws into the top two holes. Place the blower assembly over these two (2) screws and tighten. Install the two (2) bottom screws and tighten.
- 4) Plug the fan assembly in and check for proper operation.

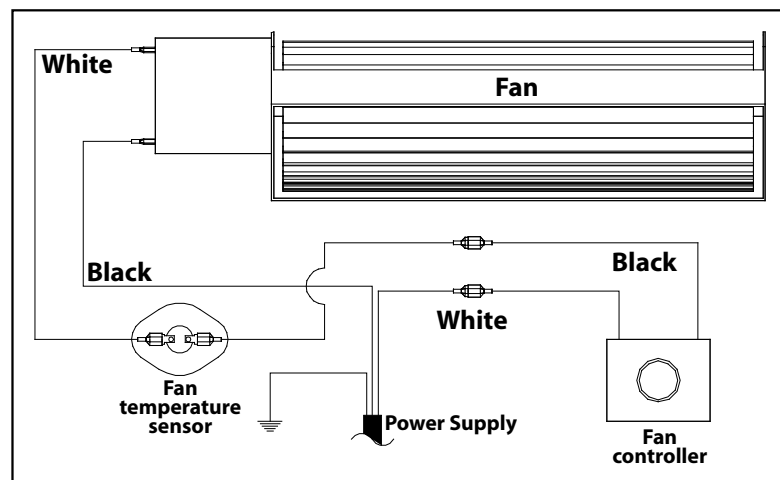
DO NOT cut or remove the grounding prong from the plug.
DO NOT route the power cord beneath the heater.

WARNING: This appliance is equipped with a three-prong (grounding) plug for your protection against shock hazard and should be plugged into a properly grounded three-prong receptacle.

WIRING DIAGRAM:

This is a basic wiring diagram for the option fan installation.

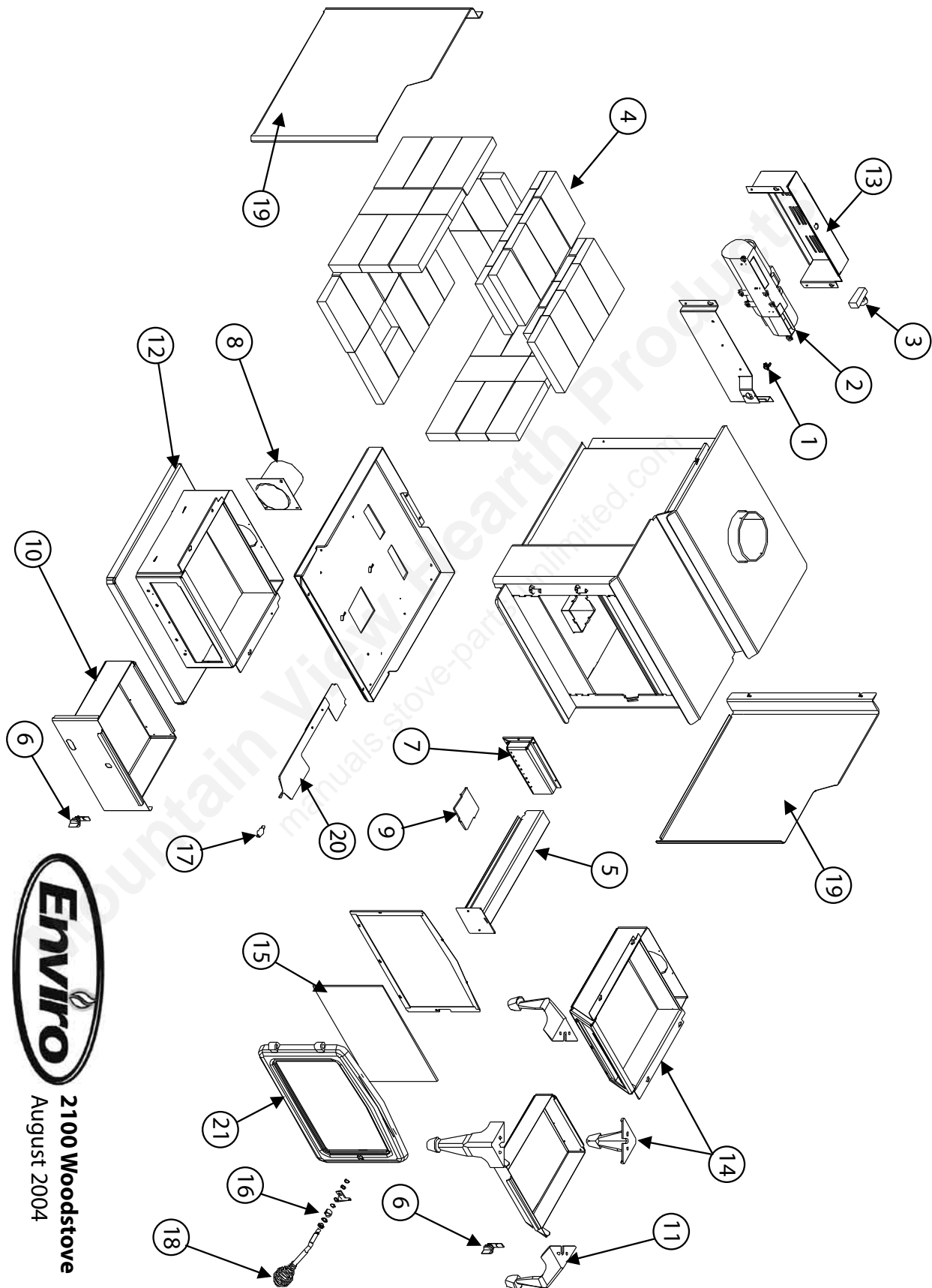
- 1) Plug the fan assembly into a three-prong (grounded) receptacle.
- 2) Turn the fan controller to the desired setting.
- 3) Once the unit has reached operating temperature, the fan temperature sensor will turn the fan on automatically.
- 4) When the unit cools down the fan temperature sensor will shut the fan off automatically.



PARTS LIST

Reference Number	Description	Part Number
1	120°F (49°C) Ceramic Fan Temperature Sensor	EC-001
	Domestic Power Cord - 115V	EC-042
2	Convection Blower - 115V	EC-069
3	Fan Controller With Knob - 115V	EF-045
	Door Gasket - 7 feet (2.1 m)	EF-168
4	Brick - 3" X 9"	EF-169A
4	Brick - 4½" X 9"	EF-169B
4	Brick - 4½" X 4½"	EF-169C
5	Secondary Air Tube	EF-171
	Ash Pan Gasket - 9 feet (2.7 m)	EF-177
6	Ash Pan Latch	EF-178
7	Rear Secondary Air Chamber	EF-182
8	Fresh Air Kit	EF-186
	Door Hinge Pin (2 Pieces)	EF-195
9	Ash Dump Cover Plate	EF-196
10	Ash Drawer	EF-198
11	One Leg - Painted	EFW-253
11	One Leg - Gold	EFW-254
11	One leg - nickel	EFW-255
12	Pedestal	EFW-257
13	Fan Kit	EFW-261
14	Four (4) Legs With Ash Pan - Painted	EFW-265
14	Four (4) Legs With Ash Pan - Gold	EFW-267
14	Four (4) Legs With Ash Pan - Nickel	EFW-269
15	Glass With Tape	10-000
16	Door Handle Assembly (Rod, Cast Latch, Brass Spring)	10-001
17	Damper Handle Spring - Nickel	10-005
17	Damper Handle Spring - Brass	EF-191
18	Door Handle Spring - Brass	10-006
18	Door Handle Spring - Nickel	10-007
19	Cabinet Side	50-090
20	Slide Damper	50-959
21	Cast Iron Door With Glass - Painted	50-987
21	Cast Iron Door With Glass - Gold	50-988
21	Cast Iron Door With Glass - Nickel	50-989
	Owner's Manual	50-1084

PARTS DIAGRAM



2100 Woodstove
August 2004

WARRANTY

Because of our high standards Sherwood Industries Ltd. can offer a *Lifetime Warranty on all its wood products. Covered under this warranty are Cabinet Sides, Tops, Pedestals, Surround Panels, Removable Air Channel, and Chassis. These steel components are covered against manufacture's defects for 1 year on parts and labor and for parts only for the next 4 years. Please refer to the warranty agreement for specific details on the coverage of your *Lifetime Warranty.

Sherwood Industries Ltd. offers an unlimited lifetime warranty for the secondary air tube (channel) for parts only and labor for the first year.

Sherwood Industries Ltd. does not offer warranty on the following items:

- Door and Ash Pan gasketing.
- Firebricks.

(*) The following exclusions apply:

PLATING-

Damage caused by scratching, marring, fingerprints, abrasive cleaners, overfiring and discoloration with age.

GLASS-

The use of harsh or abrasive cleaners, striking the glass or surface contaminates.

All claims under this warranty are to be made in writing by your dealer:

This warranty does not cover misuse of the wood stove. Misuse includes overfiring, this will result if the wood stove is used in such a way that one or more of the plates glow red. Overfiring can be identified later by warped plates, paint pigment being burnt off.

WHEN FILING A WARRANTY CLAIM PLEASE COMPLETE THE FOLLOWING INFORMATION ON AN OFFICIAL WARRANTY CLAIM FORM:

To the Dealer:

- Name, address and telephone number of purchaser and date of purchase.
- Date of installation. Name of installer and dealer. Serial number of the appliance. Nature of complaint, defect or malfunction. Description and part # of any parts replaced.

To the Distributor:

- Sign and verify that the work and information is correct.

This warranty covers defects in materials and workmanship only if the product has been installed according to the manual's instructions. If the product is damaged or broken as a result of misuse or mishandling, the warranty does not apply. The warranty does not cover removal and re-installation costs.

Sherwood Industries Ltd. reserves the right to repair or to replace the defective product. The consumer pays for the shipping costs. All warranties by the manufacture are set forth herein and no claim shall be made against the manufacturer on any oral warranty or representation.

Sherwood Industries Ltd. and its employees or representatives will not assume any damages, either directly or indirectly caused by improper usage, operation, installation, servicing or maintenance of this appliance.

Sherwood Industries Ltd. reserves the right to make changes without notice. Please complete and mail the warranty registration card and have the installer fill in the installation data sheet in the back of the manual for warranty and future reference.

INSTALLATION DATA SHEET

The following information must be recorded by the installer for warranty purposes and future reference.

NAME OF OWNER:

ADDRESS:

PHONE: _____

NAME OF DEALER:

ADDRESS:

PHONE: _____

MODEL: _____
SERIAL NUMBER: _____
DATE OF PURCHASE: _____ (dd/mm/yyyy)
DATE OF INSTALLATION: _____ (dd/mm/yyyy)
INSTALLER'S SIGNATURE:

NAME OF INSTALLER:

ADDRESS:

PHONE: _____

MANUFACTURED BY:
SHERWOOD INDUSTRIES LTD.
6782 OLDFIELD RD. SAANICHTON, BC, CANADA V8M 2A3
www.envirofire.biz
February 21, 2005
C-10584