



INSTALLER: LEAVE THIS MANUAL WITH THE WOOD STOVE.
CONSUMER: RETAIN THIS MANUAL FOR FUTURE REFERENCE.

Fr Version française: www.enviro.com/fr

WARRANTY REGISTRATION
enviro.com/warranty

WOOD STOVE INSERT

Models: 1200 KI FPI & 1700 KI FPI



INSTALLATION AND OPERATION MANUAL



PLEASE READ THIS ENTIRE MANUAL BEFORE INSTALLATION AND USE OF THIS WOOD BURNING ROOM HEATER. FAILURE TO FOLLOW THESE INSTRUCTIONS COULD RESULT IN PROPERTY DAMAGE, BODILY INJURY OR EVEN DEATH.

CONTACT YOUR LOCAL BUILDING OR FIRE OFFICIALS, OR THE AUTHORITY HAVING JURISDICTION ABOUT RESTRICTIONS AND INSTALLATION INSPECTION REQUIREMENTS IN YOUR AREA.



THIS HEATER MEETS THE U. S. ENVIRONMENTAL PROTECTION AGENCIES EMISSION LIMITS FOR WOOD HEATERS SOLD AFTER JULY 1ST, 1990. UNDER SPECIFIC CONDITIONS THIS HEATER HAS BEEN SHOWN TO DELIVER HEAT AT RATES RANGING FROM 11,479 TO 34,196 BTU PER HOUR FOR THE 1200 AND FROM 9,425 TO 31,780 BTU PER HOUR FOR THE 1700. THESE STOVES HAVE BEEN CERTIFICATION TESTED TO STANDARDS UL-1482-11, AND ULC-S628-93. CERTIFICATION TESTING AND LISTING COMPLETED BY OMNI TEST LABS.

50-2910

TABLE OF CONTENTS

Safety Precautions.....	3
Operating Instructions.....	4
Building Your Fire.....	5
How It Works.....	9
Specifications.....	10
Air Control.....	10
General Specifications.....	10
Clearances To Combustibles - 1200 KI Insert.....	11
Clearances To Combustibles - 1700 KI Insert.....	12
Dimensions - 1200 KI Insert.....	13
Dimensions - 1700 KI Insert.....	14
Installation.....	15
Removal From Pallet.....	15
Modifications For Installation with 19" (483mm) High Lintel.....	15
Masonry Fireplace Installation.....	16
Installation Using A Block-Off Plate For USA Only.....	19
Model 1200 KI Brick Placement & Tube Locations.....	21
Model 1700 KI Brick Placement & Tube Locations.....	22
C-Cast Ceramic Baffle Installation.....	23
Fan Wiring Diagrams.....	24
Fan Removal.....	24
Removal of Top.....	25
Installation Of The Surround Panel.....	25
Rating Label.....	26
Parts List.....	27
Parts Diagram.....	28
Warranty.....	29
Installation Data Sheet.....	30

SAFETY PRECAUTIONS

PLEASE READ THIS ENTIRE MANUAL BEFORE YOU INSTALL AND USE OF YOUR NEW WOOD STOVE. FAILURE TO FOLLOW INSTRUCTIONS MAY RESULT IN PROPERTY DAMAGE, BODILY INJURY OR EVEN DEATH. BE AWARE THAT LOCAL CODES AND REGULATIONS MAY OVERRIDE SOME ITEMS IN THIS MANUAL. PLEASE CHECK WITH YOUR LOCAL BUILDING OR FIRE AUTHORITY.

- This appliance becomes extremely hot when in use and can cause burns if contacted.
- Young children should be carefully supervised when they are in the same room as the appliance.
- Make sure you have incorporated proper safety measures to protect infants/toddlers from touching hot surfaces.
- Even after the appliance is out, the firebox and glass will remain hot for an extended period of time.
- If this appliance is not properly installed, operated, and maintained a serious house fire could result.
- Installation of appliance must be completed by a certified installer.
- Wear protective gloves and safety glasses during installation, sheet metal edges may be sharp.
- Do not operate without fully assembling all components.
- Do not use any makeshift materials during installation, maintenance, or replacement.
- Any changes or alterations to this appliance are dangerous and prohibited.
- This appliance has been designed to burn dried and seasoned hardwoods.
- Do not use chemical fluids to start or re-fresh the fire.
- Do not burn coal, charcoal, or treated wood as there is danger of carbon monoxide being produced.
- Do not burn garbage or flammable fluids such as gasoline, grease, naphtha or engine oil.
- Never let the stove become hot enough to get any part glowing red.
- Do not operate with door open, door must be tightly closed.
- Do not strike or slam shut the ceramic glass door, if the door glass is broken or a gasket is missing or damaged appliance must be repair by a qualified service technician before resuming use.
- At least 12 square inches (77.4 cm²) of fresh outside air should be admitted into the room or directly to the stove through a 4 inch (10.16 cm) diameter pipe.
- Do not burn wet unseasoned wood, this can causes excessive creosote accumulation. When this is ignited it can cause a chimney fire that may result in a serious house fire.
- Do not use grates, andirons or any other methods to support or raise the fire up off the fire bricks.
- Do not place clothing, furniture, draperies, or any other flammable materials on or near the appliance.
- Objects placed in front of the appliance must be kept at least of 48" away from the front face of the appliance.
- Do not connect appliance to a chimney flue pipe servicing another solid fuel burning appliance.
- Do not install in a mobile home this appliance is not Certified for that application.
- Do not attach to any kind of heat distribution ducting system.
- The chimney must be sound and free of cracks. Clean your chimney a minimum of twice a year and as required.
- Your appliance requires periodic maintenance and cleaning. Failure to maintain your appliance may lead to smoke spillage in your home.
- A chimney connector shall not pass through an attic, roof space, floor, ceiling, closet or similar concealed space.
- Do not store wood within appliance installation clearances or within the space required for refueling and ash removal.
- Ashes must be disposed in a metal container with a tight lid and placed on a non-combustible surface well away from the home or structure until completely cool.
- Ensure proper clearances to combustibles are maintained when building a mantel or shelves above the appliance.

IMPORTANT: The following must be done to ensure proper operation. Failure to do so will cause extreme overheating and possible personal injury or property damage. If an outside air supply has not been added to this appliance, please ensure that the 4" inch fresh air inlet on the back of the pedestal is removed. Also ensure the ash plug is installed in the firebox.



We recommend that our woodburning hearth products be installed and serviced by professionals who are certified in the U.S. by the National Fireplace Institute® (NFI) as NFI Woodburning Specialists or who are certified in Canada by Wood Energy Technical Training (WETT).



OPERATING INSTRUCTIONS

FIRST START

When first installed, the chimney, firebricks and steel are cold and it usually takes several hours on a high burn for them to become hot and dry enough for the stove operate at maximum efficiency. We recommend during the first burn that a door or window is opened to vent the smoke and fumes created while the paint cures. The paint should be completely cured after the first few burns.

DISPOSAL OF ASHES:

If you let the ashes accumulate two or three inches on the floor of the Firebox they tend to burn themselves up. Fireplace inserts do not have an ash drawer so eventually the ashes will need to be scooped into a metal container with a tightly fitting lid. Place the closed container on a non-combustible surface, well away from combustible materials.

If the ashes are to be buried in soil or otherwise locally dispersed, keep them in a closed container until all cinders have completely cooled. Small amounts of wood ash can be used in the garden or compost.

FAN OPERATION:

All insert models have been approved for operation with the fans supplied by the manufacturer. During a medium or high burn, using a fan will increase the heat transfer and circulation. Route the power supply cord along the floor behind or away from the stove where it will remain cool.

1. Plug the fan assembly into a standard three (3) prong grounded electrical receptacle.
2. There is a three position switch located on the fan pod. The auto/off/manual rocker switch allows the fan to be turned on manually, or automatically. When this switch is up it is set to the manual position. The center position is off. When the switch is pushed down it is set to the automatic position.
3. In the manual position the Rotary Rheostat knob is used to turn the fan on and off as well as adjust the flow.
4. In the automatic position the fan will automatically turn on once the fan temperature sensor reaches the operating temperature. When the unit cools down, the fan temperature sensor will shut the fan off. You should set the desired flow while in the manual position.

REPLACING THE GLASS:

Never strike or slam the door, hit the glass or let burning wood rest against it. If the glass cracks when the fire is burning, do not open the door until the fire is out. Do not operate the stove again until the glass has been replaced. If the glass is damaged in any way, a factory replacement is required (see "PARTS LIST"). To replace the glass, remove the steel retainer and all loose glass. Replace only with Neoceram 5 mm glass 16 5/8" (422 mm) x 10 5/8" (270 mm) and wrap the edges with 1/8" (3.2 mm) x 1/2" (13 mm) self-adhesive fiberglass gasket, see parts list for part number.

Wear protective gloves when handling damaged glass door assembly to prevent personal injury. When the glass door assembly is being transported, it must be wrapped in newsprint and tape and/or a strong plastic bag. **Replacement glass must be purchased from an ENVIRO dealer. No substitute materials are allowed.**

FIRE EXTINGUISHER AND SMOKE DETECTION:

All homes with a solid fuel burning stove should have at least one fire extinguisher in a central location known to all in the household and a smoke detection device in the room containing the stove. If it sounds the alarm, correct the cause but do not deactivate. You may choose to relocate the smoke detection device within the room; **DO NOT REMOVE THE SMOKE DETECTOR FROM THE ROOM.**

OPERATING INSTRUCTIONS

CREOSOTE - ITS FORMATION AND REMOVAL:

When wood is burned slowly, it may produce tar and other vapors that, combined with moisture, form creosote. These creosote vapors condense in the relatively cool chimney flue of a slow burning fire and, if ignited, make an extremely hot fire. Therefore, the smoke pipe and chimney should be inspected at least once every two months during the burning season. If creosote has accumulated it should be removed to reduce the risk of a chimney fire.

MAINTENANCE:

At the end of each heating season your chimney and the smoke pipe will need to be professionally cleaned. If soot has accumulated above the top baffle they will need to be removed and cleaned. If Baffles are damaged they need to be replaced. If the secondary air tubes are badly eroded or warped, replace them. Replace worn door gaskets and broken bricks as needed.

FAILURE TO INSPECT AND CLEAN YOUR CHIMNEY SYSTEM REGULARLY CAN RESULT IN A CHIMNEY FIRE, WHICH COULD DAMAGE THE CHIMNEY OR CAUSE A HOUSE FIRE.

CHIMNEY OR RUN AWAY FIRE:

1. Alert and evacuate all people inside the home. You should have an evacuation plan in place for such an event as well as a safe place to meet.
2. Fully close the Air Damper to limit oxygen to the fire.
3. Call local fire department (or dial 911). Have a fire extinguisher and a garden hose ready, your local fire authority will provide you with instructions to handle the situation.
4. Once the fire is out examine the flue pipes, chimney, attic, and roof of the house, to see if any part has become damaged by the fire.
4. Do not operate the stove again until the chimney and its lining have been cleaned and you are certain they have not been damaged. We strongly recommend inspection by a WETT (Wood Energy Technical Training) certified installer in Canada or a HEARTH (Hearth Education Foundation) certified installer in the U.S.A. before starting another fire.

BUILDING YOUR FIRE:

Proper operation of your stove will help to ensure safe, efficient heating. Please take a few moments to review these simple operating procedures.

IMPORTANT: Please be aware when loading your stove that the air tubes in the rear are lower than the front.

1. Fuel Selection:

This stove is designed to burn natural wood only. Higher efficiencies and lower emissions generally result when burning air dried seasoned hardwoods, as compared to softwoods or to green freshly cut hardwoods. Wood should be properly air dried (seasoned) for at least six months, a year is preferred. Wet or freshly cut wood will cause the fire to smolder creating creosote. Wet wood also creates very little heat and fires tend to go out.

DO NOT BURN: treated wood, salt water wood, coal, charcoal, garbage, plastic, solvents, or colored papers. These materials contain chlorides which will rapidly corrode and warp metal surfaces which voids warranty.

OPERATING INSTRUCTIONS

2. Building/Maintaining a Fire:

- a) Open the primary air slide by pulling it all the way to the right.
- b) Place a base of crumpled uncolored paper in the bottom of the stove. Lay pieces of kindling on top of the newspaper and light it.

CAUTION: "Never use gasoline, gasoline-type lantern fuel, kerosene, charcoal lighter fluid, or similar liquids to start or "freshen up" a fire in this heater. Keep all such liquids well away from heater while it is in use.

- c) As the kindling begins to burn, add several slightly larger pieces of wood until the fire is burning well. Once a coal bed had been established regular size logs may be added.

NOTE: Until the fire is burning well, leave the air control fully open.

- d) Regulate the heat output and duration of burn by adjusting the air controls to allow a larger fire and vice versa. A short period of experimentation with the control settings will allow you to regulate the heat output to keep your home comfortable.

Do not use a grate or elevate the fire. Build fire on top the bricks inside the firebox.

3. Refueling the Stove:

Use a long pair of fireproof gloves to protect your arms from burns when loading wood. Keep a small steel shovel and poker nearby for moving a log, lifting a fallen ember, and for keeping the hearth clean.

- a) Before attempting to add fuel to the stove fully open the damper by pulling it all the way to the right and slowly open the door. This allows the chimney to carry away the additional smoke and keep it from entering the house.

- b) **DO NOT OVERLOAD THE STOVE.** Normally, three or four logs will provide heat for several hours. There should never be any part of the stove glowing red hot when operating properly.

- c) **DO NOT OVERFIRE.** If any part of the stove or chimney connector glows, you are overfiring.

ww) **CAUTION:** DO NOT PLACE FUEL WITHIN SPACE HEATER INSTALLATION CLEARANCES OR WITHIN THE SPACE REQUIRED FOR ASH REMOVAL.

4. For Maximum Efficiency:

When the stove is hot, load it fully to the top of the door opening and burn at medium low settings. When the fuel is mostly consumed, leaving a bed of red coals, repeat the process. Maximum heat for minimum fuel occurs when the stove top temperature is between 250°F (120°C) and 550°F (290°C).

Helpful Hints Worth Repeating

1. Helpful advice on the correct way to start your fire.

- a) You will need small pieces of dry wood, called kindling, and paper. Use only newspaper or paper that has not been coated or had other materials glued or applied to it. Never use coated (typically advertising flyers) or coloured paper.
- b) Always fully open the air control damper and slowly open wood stove door to prevent suction and drawing smoke into the room.
- c) Crumple several pieces of paper and place them in the center of the firebox directly onto the firebricks. Never use a grate or andirons to elevate the fire.

OPERATING INSTRUCTIONS

d) Place small pieces of dry wood (kindling) over the paper in a criss cross manner. This allows for good air circulation, which is critical for good combustion.

e) Light the crumpled paper in 2 or 3 locations.

Note: It is important to heat the air in the stovepipe for draft to start.

f) Fully open the air controls of the wood stove and close the door until it is slightly open, allowing for much needed combustion air to be introduced into the firebox. Never leave the door fully open, as sparks from the kindling may fly out of the stove, causing damage or injury. As the fire begins to burn the kindling, some additional kindling may be needed to sustain the fire. DO NOT add more paper after the fire has started.

g) Once the kindling has started to burn, add some smaller pieces of seasoned firewood. Note: Adding large pieces at the early stages will only serve to smother the fire. Continue adding small pieces of seasoned dry firewood, keeping the door slightly open until each piece starts to ignite. Remember to always open the door slowly when placing wood into the fire.

h) Once the wood has started to ignite and the smoke has reduced, close the wood stove door fully. The reduction of smoke is a good indication that the draft in the chimney has started and good combustion is now possible. Larger pieces of seasoned, dry firewood can now be added when there is sufficient space in the firebox. Adjust the air control setting to desired setting.

Note: The lower the air control setting, the longer the burn time of your firewood.

2. What type of wood is best to use as firewood?

Both hardwood and softwood burn well in this stove. Both woods contain about 8,000 BTU/lb (18,570 KJ/Kg), but hardwood is generally more dense, will weigh more per cord, and burns a little slower and longer. Cutting firewood so that it will fit horizontally, front to back, makes it easier loading and less likely for the fuel to roll on to the glass. Except for a cold start, there is no need to criss-cross the logs. Ideal length for the logs used in the 1200 would be about 16" (381 mm) but it can burn pieces up to 18" long. Ideal length for the logs used in the 1700 would be about 18" (381 mm) but it can burn pieces up to 20" long logs. Burn only seasoned wood, It produces more heat and less soot or creosote. Freshly cut wood has about 50% moisture. A 10 pound (4.5 Kg) log contains 5 pounds (2.3 Kg) of water. Burn beach wood only if its salt content has been washed away in a season of rain and then the dried again.

3. What does dry, seasoned wood mean?

Wood that has been dried for a period of one year in a well-ventilated and sheltered area would be considered dry, seasoned wood. Wood from slow-growing trees is generally considered better than wood from fast-growing trees. To season firewood, split and stack it so that air can get to all parts of the wood.

4. Will following the above-listed steps for starting a fire mean perfect results every time?

The quick answer is 'most of the time'. There are many variables that may affect your success when starting a fire. Most of those variables and how to deal with them will be learned through experience. Your ability to start a good fire will significantly increase with time and patience. Some of the reasons for poor stove performance will be covered in the next section of these instructions.

5. Why won't my fire light?

Damp or wet wood and a poor draft are the main reasons for poor results in starting a fire. Always use dry, seasoned wood for your fire. Even wood dried for two years will be difficult to ignite if it has become wet from rain.

OPERATING INSTRUCTIONS

6. Is it normal for soot to cover the glass at the beginning of a fire?

Your stove has been built with an air-wash system that will help keep the glass clear when the firebox has reached a good operating temperature and has a good draft. Normally a hot stove will keep the glass clean. If you must clean the glass, use a soft non abrasive cloth and clean with water when unit is cold. Cold firebox temperature and poor draft cause sooting of the glass. Once the firebox temperature and the draft increase, the soot should burn off.

7. What is draft?

Draft is the ability of the chimney to exhaust or draw smoke produced during the normal combustion process. Too much draft may cause excessive temperatures in the appliance and may damage the appliance. Inadequate draft may cause back puffing or "plugging" of the chimney. There is a certain amount of draft that is required to allow for your stove to function at its' highest efficiency. A water column reading of 0.1" or more is recommended.

8. What can cause a poor draft?

The most common factors for poor draft are:

- a) Lack of supply air
 - b) Environmental conditions
 - c) Cold chimney temperature
 - d) Poor chimney installation and maintenance
 - e) Atmospheric pressure
-
- a) Air supply – Inside the home, normal household appliances such as clothes dryers and forced-air furnaces compete for air, resulting in air starvation to the wood stove. This creates a condition in the house known as negative pressure. When a house experiences negative pressure, the combustion gases can be drawn from the chimney and into the house. This condition is commonly referred to as down-drafting. Increased amounts of insulation, vinyl windows, extra caulking in various places and door seals can all keep heat in but may also make a home too airtight. An easy way to stop negative pressure in a home is to crack a window in the room containing the stove.
 - b) Environmental Conditions - High trees, low-lying house location such as in a valley, tall buildings or structures surrounding your house and windy conditions can cause poor draft or down drafting.
 - c) Cold Chimney Temperature - Avoid cold chimney temperatures by burning a hot fire for the first fifteen to forty minutes, being careful not to over-fire the stove. If any part of the chimney or parts of the stove start to glow, you are over-firing the stove. If possible,
 - d) Chimney Installation and Maintenance - Avoid using too many elbows or long horizontal runs. If your chimney is too short it can cause difficult start-up, dirty glass, reduced heat, and down drafting when door is open. Too tall a chimney may prompt excessive draft, which can result in very short burn times and excessive heat output. If in doubt, contact a chimney expert and/or chimney manufacturer for help. To reduce the chance of draw issues and chimney fires regularly clean the chimney, rain cap, and spark arrestor.

Note: These instructions are intended as an aid and do not supercede any local, provincial or state requirements. Check with officials or authorities having jurisdiction in your area.

OPERATING INSTRUCTIONS

How It Works:

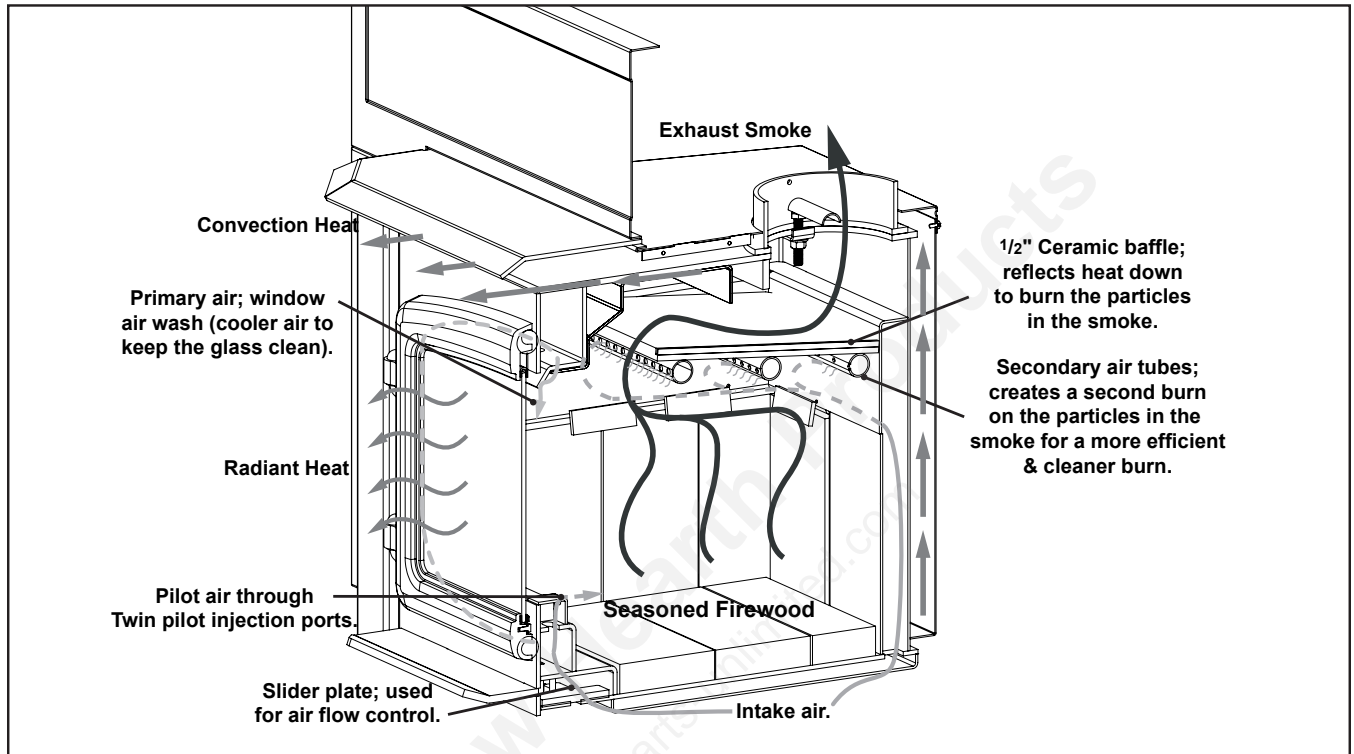


Figure 1: 1200 KI Air Flow Path.

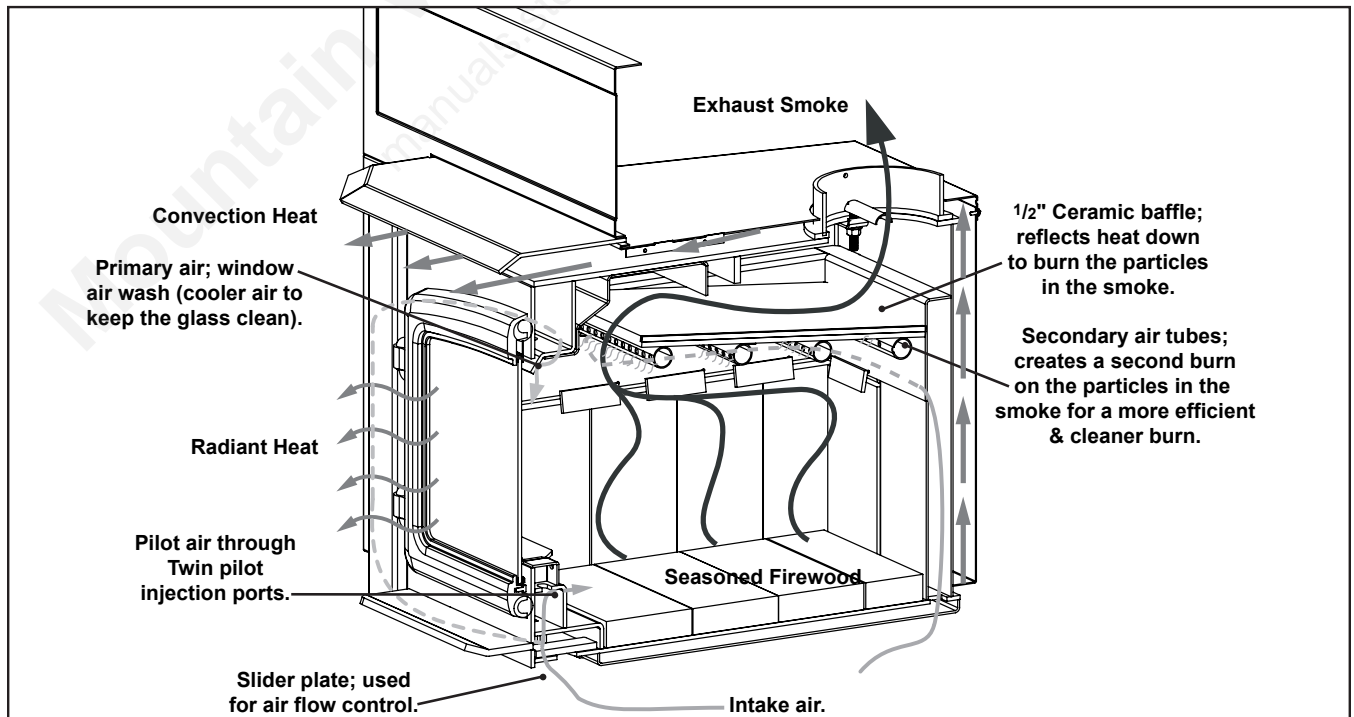


Figure 2: 1700 KI Air Flow Path.

SPECIFICATIONS

AIR CONTROL:

The amount of combustion air going to the air wash and pilot is controlled by the air control rod located on the right side of the unit. To increase your air pull the rod out, and to decrease push the rod in. All Enviro wood stoves have a secondary air that flows through the stainless tubes at the top of the firebox just below the baffles.

Pull this control all the way out when first starting the stove. Once the fire has been established you may adjust this control to set the burn rate of the fire. If this damper is closed at first start-up, the fire will burn very slowly and could soot the appliance.

When shutting down the stove, fully open the air control. This allows the chimney temperatures to remain as high as possible for as long as possible. Cold chimney temperatures create creosote.

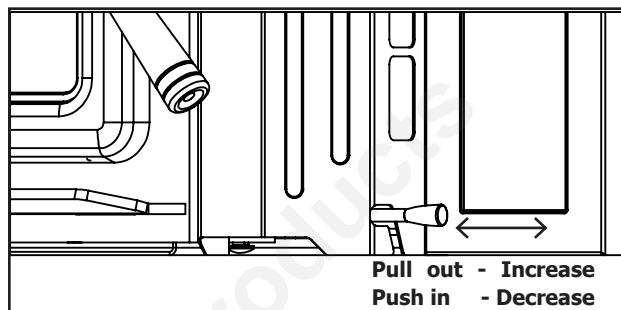


Figure 3: Air Control Rod.

GENERAL SPECIFICATIONS:

Table 1: 1200 KI & 1700 KI General Information.

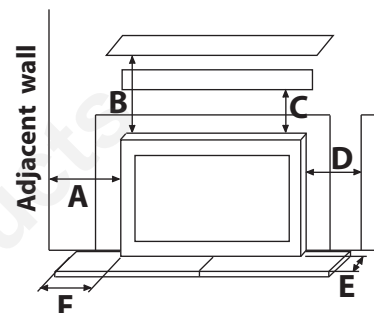
Model	1200 Insert	1700 Insert
Width x Depth	27" x 22.5" (686 mm x 572 mm)	27" x 27" (686 mm x 686 mm)
Height of body	19" (483 mm) or 19.5" (495 mm)	
Fire box size (depth x width x height)	16.1" x 18.25" x 11.15" (409 mm x 464 mm x 283 mm)	20.65" x 18.25" x 11.95" (525 mm x 464 mm x 304 mm)
Capacity	1.85 feet ³ (0.0526 meter ³)	2.5 feet ³ (0.0708 meter ³)
* Approximate heating area	2200 feet ² (205 meter ²)	3000 feet ² (280 meter ²)
**E.P.A. output rating	11,479 to 34,196 BTU/hour (3,361 to 10,013 watt)	9,425 to 31,780 BTU/hour (2,760 to 9,306 watt)
*Duration on low burn	6 -10 hours	8 - 12 hours
Weight with packaging	335 lb (151.95 Kg)	390 lb (176.90 Kg)
E.P.A. Emissions	3.3 grams/hour (0.116 oz/hour)	4.48 grams/hour (0.158 oz/hour)
Surround Panels		
Standard (width x height)	46" x 28.25" (1166 mm x 711 mm)	
Oversized (width x height)	47.5" x 33" (1207 mm x 838 mm)	
Rating Label Location	Side of Unit; Behind Right Shroud	

SPECIFICATIONS

CLEARANCES TO COMBUSTIBLES - 1200 KI INSERT:

Table 2: 1200 KI Insert Clearance to Combustibles.

A	Minimum clearance to an unshielded side wall	10" (254 mm)
B	Minimum clearance to an unshielded 8" (203 mm) mantel	21" (533 mm)
C	Minimum top facing (protruding ¾" [19 mm]) clearance	17½" (445 mm)
D	Minimum side facing (protruding ¾" [19 mm]) clearance	1" (25 mm)
E	† From front of door opening to edge of floor protection	USA 16" (406 mm) CND 18" (450 mm)
F	† From side/back of unit to edge of floor protection	USA 6" (152 mm) CND 8" (200 mm)



† FLOOR PROTECTION:

If unit is raised 0" - 2" (0mm-51mm); 1" (25mm) non-combustible material with k value = 0.84 or equivalent.
 If unit is raised 2" - 8" (51mm-203mm); ½" (13mm) non-combustible material with k value = 0.84 or equivalent.
 If unit is raised greater than 8" (203 mm) or more; any non-combustible material can be used.

Table 3: Reduction in (B) Minimum Clearance from 1200 KI to 8" (203 mm) Mantel.

Type of protection	Modified Clearance
A minimum of .013" (0.33mm) sheet metal spaced out 1" (25mm) by non-combustible spacers.	10½" (267 mm)
Ceramic tiles, or equivalent non-combustible material on non-combustible supports and spaced out 1" (25mm) by non-combustible spacers.	14" (357 mm)
Ceramic tiles, or equivalent non-combustible material on non-combustible supports with a minimum of .013" (0.33mm) sheet metal spaced out 1" (25mm) by non-combustible spacers.	10½" (267 mm)

NOTES:

- (1) Mantel protection must have at least 3" (75mm) edge clearance on all sides, except as provided in Note 4.
- (2) If an adhesive is used to support non-combustible material, it shall not lose adhesive qualities at temperatures likely to be encountered and shall not contribute a significant combustible load.
- (3) Heat shield mounting hardware attached to combustible materials must be placed at the lateral extremities of the shield.
- (4) Minimum clearance to unprotected walls and ceilings must be maintained.

Table 4: 1200 KI Insert Minimum Fireplace Size.

	Masonry	Zero Clearance
Minimum Depth	13½" (343 mm)	14" (279 mm)
Minimum Width at back of fireplace	22¾" (568 mm)	23" (584 mm)
Minimum Width at front of fireplace	27" (686 mm)	27¼" (692 mm)
Minimum Width at front of fireplace to include shroud	36" (915 mm)	36" (915 mm)
Minimum Height	19¼" (489 mm)** or 19¾" (502 mm)	20" (508 mm)

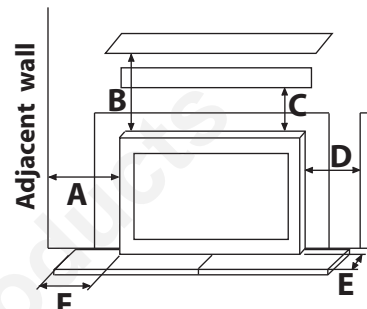
** If the masonry lintel height is only 19¼" (489 mm) to 19¾" (502 mm) refer to INSTALLATION - MODIFICATIONS FOR INSTALLATION WITH 19¼" (489 mm) HIGH LINTEL - INSERT

SPECIFICATIONS

CLEARANCES TO COMBUSTIBLES - 1700 KI INSERT:

Table 5: 1700 KI Insert Clearance to Combustibles.

A	Minimum clearance to an unshielded side wall	10" (254 mm)
B	Minimum clearance to an unshielded 8" (203 mm) mantel	24" (610 mm)
C	Minimum top facing (protruding ¾" [19 mm]) clearance	19½" (495 mm)
D	Minimum side facing (protruding ¾" [19 mm]) clearance	1" (25 mm)
E	† From front of door opening to edge of floor protection	USA 16" (406 mm) CND 18" (450 mm)
F	† From side/back of unit to edge of floor protection	USA 6" (152 mm) CND 8" (200 mm)



† FLOOR PROTECTION:

If unit is raised 0" - 2" (0mm-51mm); 1" (25mm) non-combustible material with k value = 0.84 or equivalent.
 If unit is raised 2" - 8" (51mm-203mm); ½" (13mm) non-combustible material with k value = 0.84 or equivalent.
 If unit is raised greater than 8" (203 mm) or more; any non-combustible material can be used.

Table 6: Reduction in (B) Minimum Clearance from 1700 KI to 8" (203 mm) Mantel.

Type of protection	Modified Clearance
A minimum of .013" (0.33mm) sheet metal spaced out 1" (25mm) by non-combustible spacers.	12" (305 mm)
Ceramic tiles, or equivalent non-combustible material on non-combustible supports and spaced out 1" (25mm) by non-combustible spacers.	16⅛" (408 mm)
Ceramic tiles, or equivalent non-combustible material on non-combustible supports with a minimum of .013" (0.33mm) sheet metal spaced out 1" (25mm) by non-combustible spacers.	12" (305 mm)

NOTES:

- (1) Mantel protection must have at least 3" (75mm) edge clearance on all sides, except as provided in Note 4.
- (2) If an adhesive is used to support non-combustible material, it shall not lose adhesive qualities at temperatures likely to be encountered and shall not contribute a significant combustible load.
- (3) Heat shield mounting hardware attached to combustible materials must be placed at the lateral extremities of the shield.
- (4) Minimum clearance to unprotected walls and ceilings must be maintained.

Table 7: 1700 KI Insert Minimum Fireplace Size.

	Masonry	Zero Clearance
Minimum Depth	18" (457 mm)	18½" (470 mm)
Minimum Width at back of fireplace	22⅜" (568 mm)	23" (584 mm)
Minimum Width at front of fireplace	27" (686 mm)	27¼" (692 mm)
Minimum Width at front of fireplace to include shroud	36" (915 mm)	36" (915 mm)
Minimum Height	19¼" (489 mm)** or 19¾" (502 mm)	20" (508 mm)

** If the masonry lintel height is only 19¼" (489 mm) to 19¾" (502 mm) refer to INSTALLATION - MODIFICATIONS FOR INSTALLATION WITH 19¼" (489 mm) HIGH LINTEL - INSERT

SPECIFICATIONS

DIMENSIONS - 1200 KI INSERT:

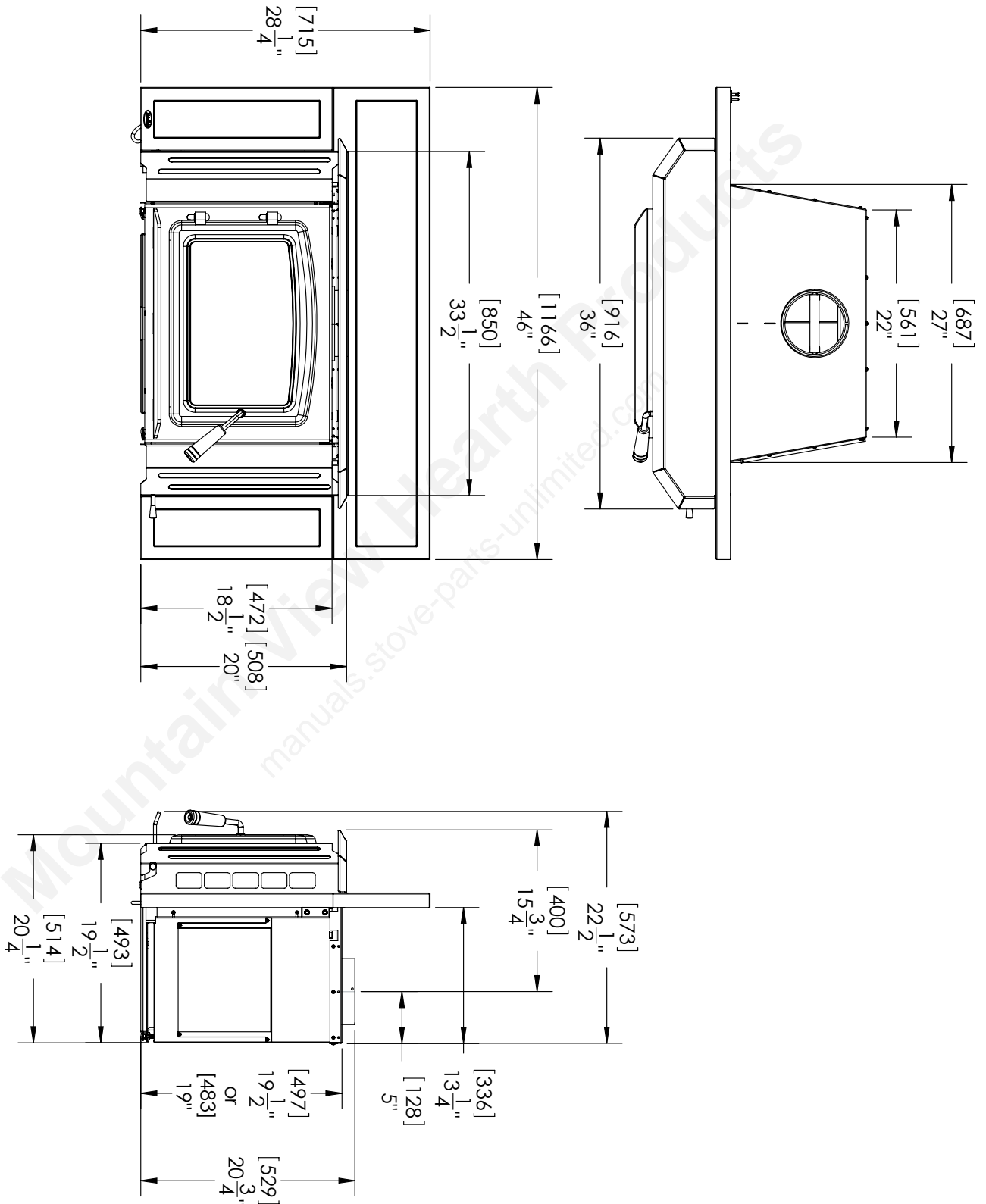


Figure 4: 1200 KI Insert Dimensions.

SPECIFICATIONS

DIMENSIONS - 1700 KI INSERT:

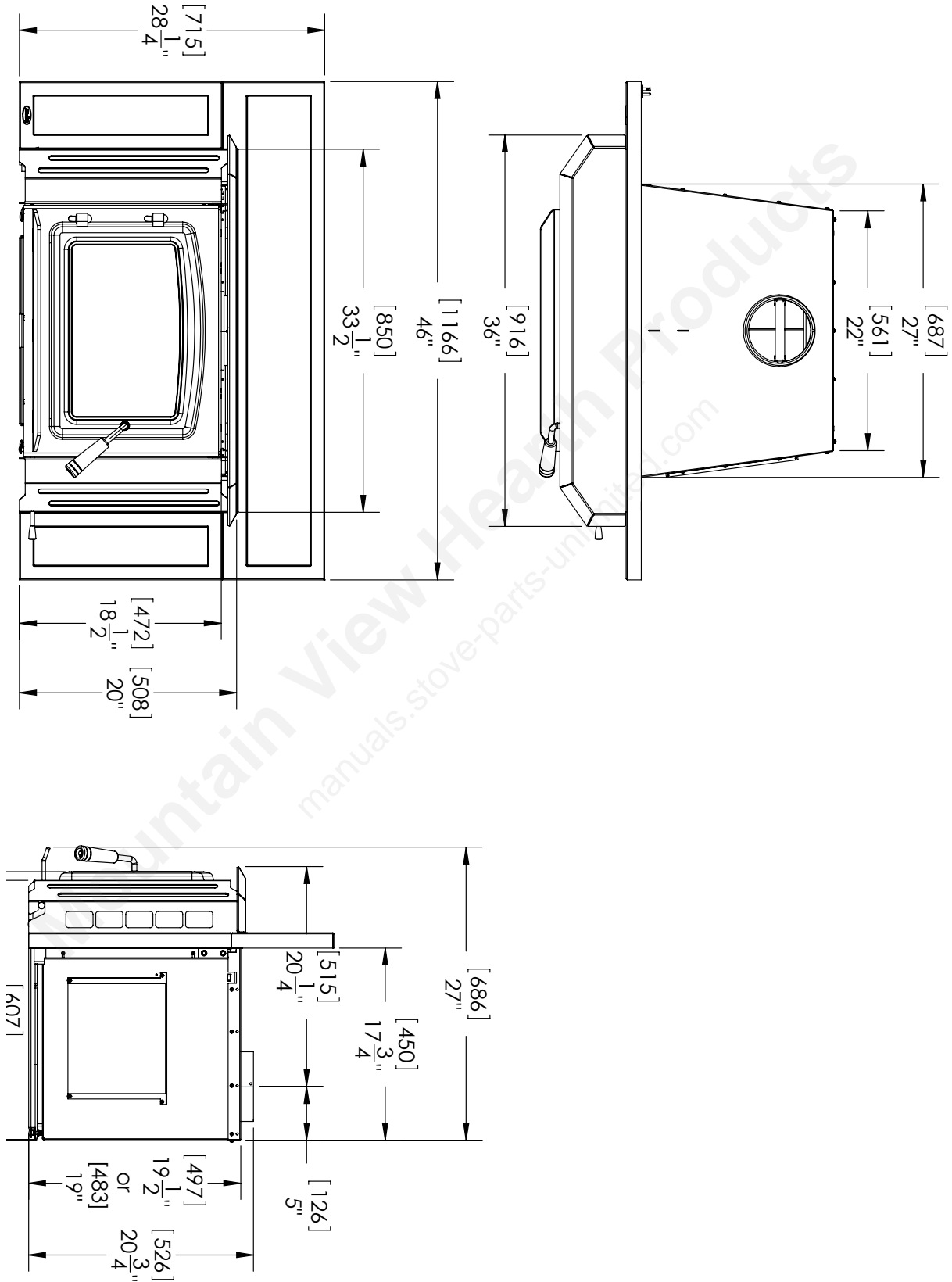


Figure 5: 1700 KI Insert Dimensions.

INSTALLATION

REMOVAL FROM PALLET:

- Remove the bricks from the unit before starting.
- Remove the two (2) lag bolts (shown in Figure 6) that secure the unit to the pallet from inside the firebox.

Note: Before the bricks are re-installed, rivets (Figure 7) must be placed in the two holes where the lag bolts were removed in the firebox . This is done to make unit burn more efficiently.

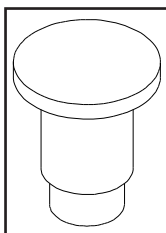


Figure 7: Rivet.

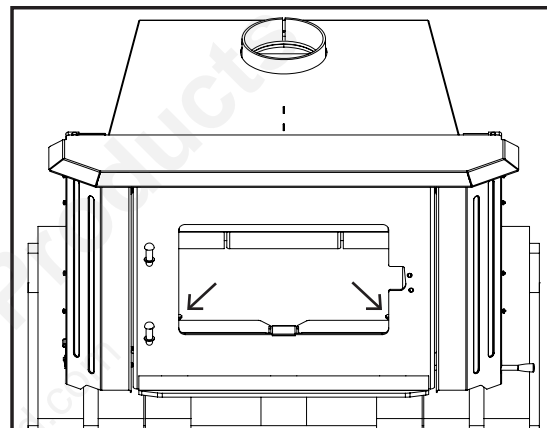


Figure 6: Bolts to remove.

MODIFICATIONS FOR INSTALLATION WITH 19" (484MM) HIGH LINTEL:

The KI has a factory height of 19½" (496mm) and it can be reduced to 19" (483mm) by modifying the cabinet top and mounting position

Insert Unit:

1. Remove the thirteen T-20 screws holding the cabinet top in place (refer to Figure 8).
2. Remove the cabinet top and flip it onto its top.
3. Remove the Air Deflector (shown in Figure 9) by removing the two (2) T-20 screws.
4. Re-install the cabinet top onto the unit. The screw holes along the top of the unit should now line up with the top set of holes on the cabinet top.

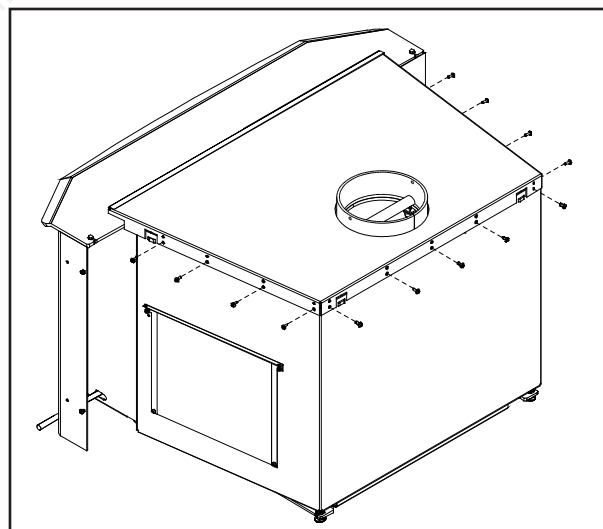


Figure 8: Removing Cabinet Top from Unit.

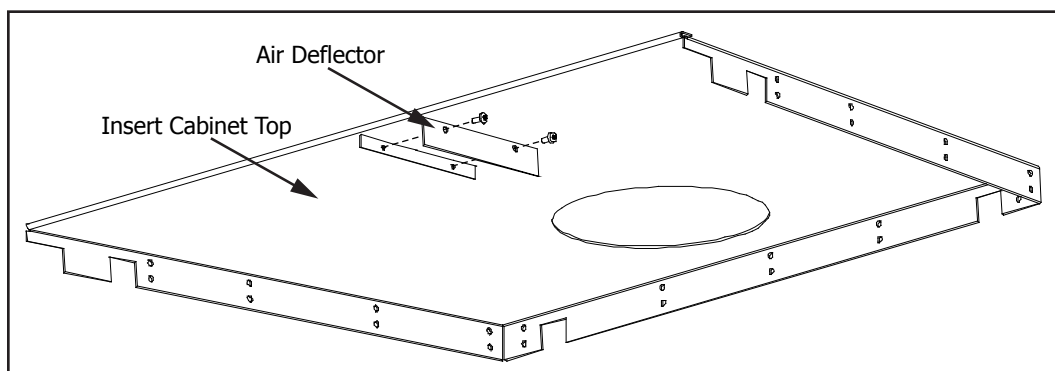


Figure 9: Removing Air Deflector onto Cabinet Top.

INSTALLATION

MASONRY FIREPLACE INSTALLATION:

Installation must be completed by a certified professional in order for warranty to be valid.

Install only in a masonry fireplace with a good-condition chimney at least 15 ft (4.6 m) high, both of which have been constructed in accordance with the building code. Refer to Tables 4 and 7 for minimum masonry fireplace dimensions. Be sure the fireplace and chimney are clean and sound without any cracks or loose mortar. Do not remove any bricks or mortar from the fireplace.

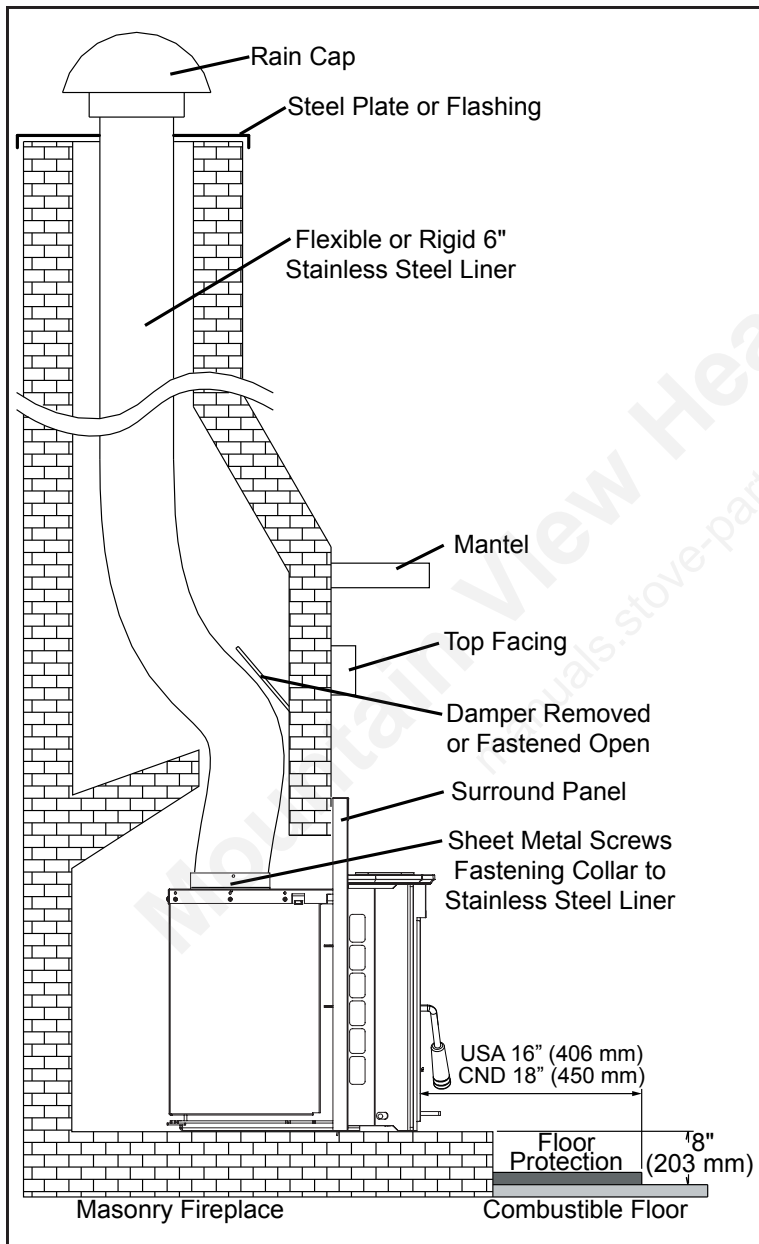


Figure 10: Insert Installation into existing fireplace with hearth.

If there is a combustible floor in front of the masonry fireplace, the fireplace insert must be 8" (203 mm) above the combustible floor, and floor protection must be provided 18" (457 mm) in front of the fireplace insert and 8" (203 mm) to each side of the unit. Refer also to SPECIFICATIONS - CLEARANCES TO COMBUSTIBLES - 1200 KI INSERT and SPECIFICATIONS - CLEARANCES TO COMBUSTIBLES - 1700 KI INSERT.

1. Remove any fireplace damper or fasten in a permanent open position.

2. (IN CANADA) The stove is vented with a 6" stainless steel liner that goes directly to the top of the chimney and is covered with a rain cap. The chimney top is sealed with a flashing or steel plate that supports the weight of the chimney liner. The installation must conform to the liner's manufacturer's instructions.

This fireplace must be installed with a continuous liner of 6" diameter (CANADA ONLY) extending from the fireplace insert to the top of the chimney. The chimney liner must conform to the class 3 requirements of ULC-S635 Standard for Lining Systems for Existing Masonry or Factory-Built Chimneys and Vents, or ULC-S640 Standard for Lining Systems for New Masonry Chimneys.

(IN U.S.A.) The appliance when installed, must follow local building codes, in the absence of local building codes, with the current NFPA 211 Standard for Chimneys, Fireplaces, Vents, and Solid Fuel-Burning Appliances.

INSTALLATION

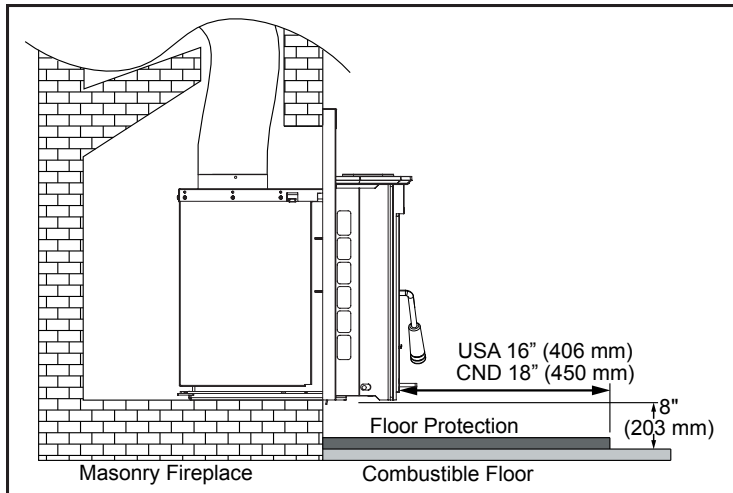


Figure 11: Insert Installation into existing fireplace without hearth.

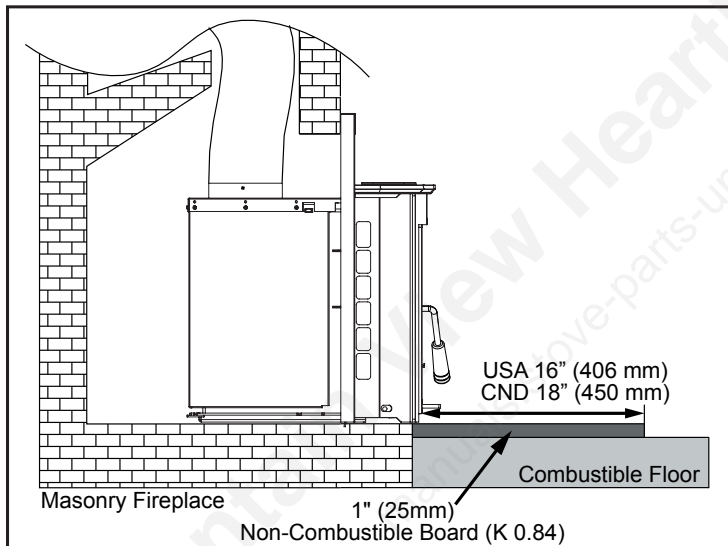


Figure 12: Insert Installation into existing floor level masonry fireplace.

- f) Place the Collar Puller, over the two bolts of the Flue Collar and pull it into place (see Figure 14). Ensure that the bolts are to the left and right of the hole. If they are not, the front secondary air tube will need to be removed in order to install or remove the C-Cast Ceramic Baffles.
 - g) Slide the Flue Collar Clamps and washers over the bolts, and screw the nuts back onto the bolts.
 - h) Re-install C-Cast Ceramic Baffles and the rear two (2) secondary air tube (see C-CAST CERAMIC BAFFLE INSTALLATION).
- 3.** There are four (4) leveling legs (shown in Figure 15), two (2) on each side, one at the back and one at the front of the unit. Adjust the legs using a $\frac{3}{8}$ " wrench to ensure the unit is stable.

The flue collar is removable for installations into fireplaces with low openings.

- a) Remove the rear two (2) secondary air tube and C-Cast Ceramic Baffles, if installed (see C-CAST CERAMIC BAFFLE INSTALLATION). Remove the secondary air tubes by placing a screwdriver (any style except flat head) into one of the air holes and tapping it with a hammer/mallet to the left.
- b) Unscrew the two (2) nuts on top of the inside of the firebox, using a $\frac{9}{16}$ " wrench or socket (see Figure 13). The Flue Collar Clamps will slide off the bolts.
- c) Pull the removable flue collar off the top of the unit.
- d) Attach the flue collar to the venting pipe using sheet metal screws.
- e) Push the unit into place while trying to keep the collar attached to venting close to the opening on the top of the unit.

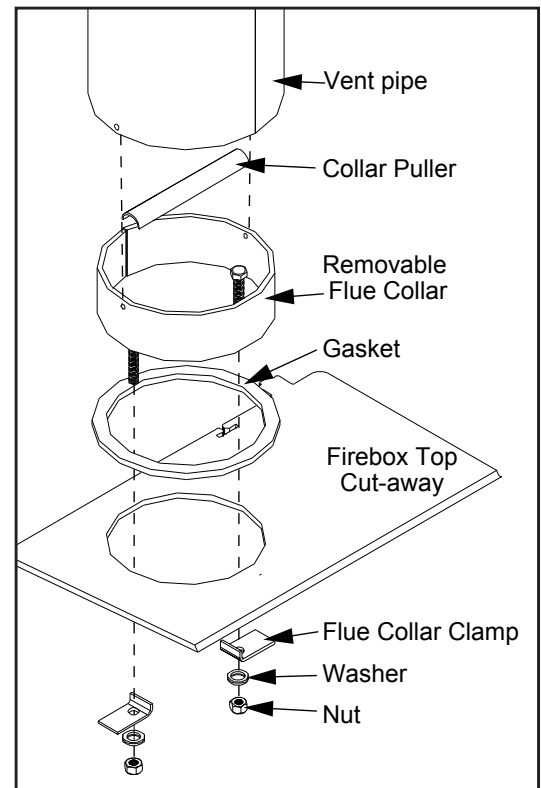


Figure 13: Attaching removable flue collar.

INSTALLATION

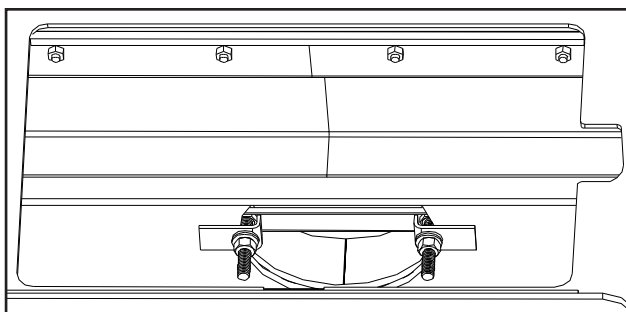


Figure 14: Removable flue collar in place.

4. Screw or nail the provided metal plate with the wording "THIS FIREPLACE HAS BEEN ALTERED TO ACCOMMODATE A FIREPLACE INSERT AND SHOULD BE INSPECTED BY A QUALIFIED PERSON PRIOR TO THE RE-USE AS A CONVENTIONAL FIREPLACE." to the inside of the fireplace.

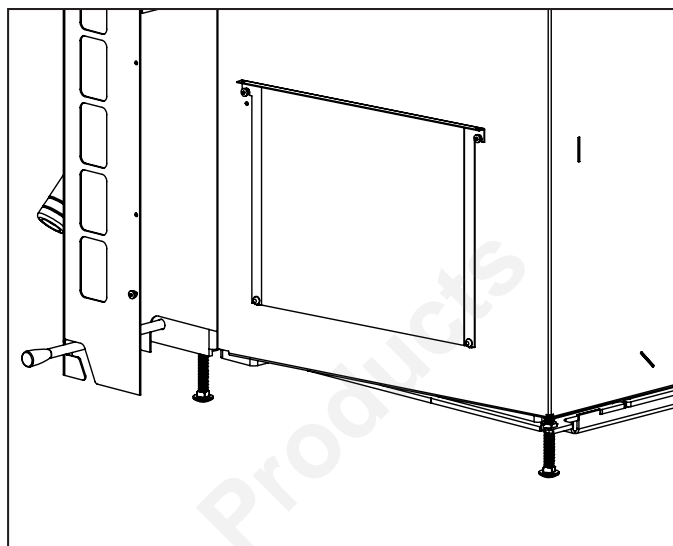


Figure 15: Leveling legs.

SURROUND PANEL SEALED INSTALLATION FOR USA ONLY:

Note: Though this is an allowable installation, we do not recommend it because of the possibility of poor draft, and therefore poor stove performance.

Before starting this type of installation refer to INSTALLATION - MASONRY FIREPLACE INSTALLATION - INSERT for additional information. For clearances refer to SPECIFICATIONS - CLEARANCES TO COMBUSTIBLES - 1200 KI INSERT and SPECIFICATIONS - CLEARANCES TO COMBUSTIBLES - 1700 KI INSERT.

1. Before the face plate is installed onto the unit, glue a 6" (150mm) wide R20 fiberglass insulation strip around the perimeter of the back of the panels using RTV silicon or stove gasket cement. When the face plate is installed onto the unit the insulation must overlap the fireplace opening to form a seal between the masonry fireplace and the unit's face plate. Let the silicon or cement dry.
2. To make the installation of the surround panel onto the unit easy have the unit 6" (150mm) out from the fireplace,
3. Push the insert into the fireplace, allowing the insulation to form a seal between the panels and the fireplace. Tuck any exposed insulation behind the face plate.

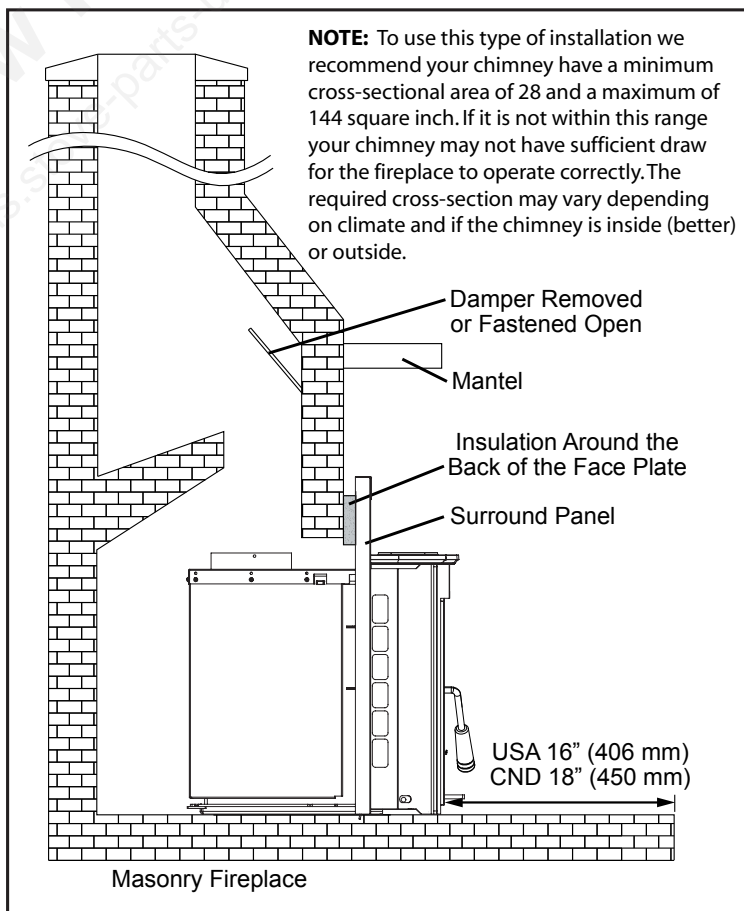


Figure 16: Installation with Surround Sealed.

INSTALLATION

INSTALLATION USING A BLOCK-OFF PLATE FOR USA ONLY:

If this unit is to be installed into a masonry fireplace or a zero-clearance fireplace with a direct connection you must install a non-combustible seal-off device such as a block-off plate or damper adapter. By installing a block-off plate you seal the chimney, ensuring that no smoke enters the home and sealing the chimney to encourage draft. To construct a block-off plate follow the below steps.

1. Determine where the block-off plate will be installed; above the top of the firebox (it must be high enough to easily install the connection pipe) but below the damper area. Look for a location that is level and in an area where the plate can be mounted easily.

The measurement that will be needed are as followed (refer to Figure 17 and 18):

- A - The width at the front of the firebox at the height where the block-off plate will be installed.
- B - The width at the back of the firebox at the height where the block-off plate will be installed.
- C - Then depth of the block-off needed (the distance between A and B).
- D - The distance of the center of the flue to the front of the fireplace opening. Refer to Step 3.

NOTE: In general masonry fireplaces have square fireboxes while zero-clearance (metal) fireplaces have domed firebox tops. Therefore zero-clearance block-off plates may be more difficult to install. Insulation may be used around the edges to simplify sealing the plate.

2. Create a cardboard template of the dimensions with 2" (51 cm) wide flanges on each side. These flanges will be used to mount the block-off plate to the inside of the firebox. Bend the flanges downwards on the template and place it inside the fireplace. Continue on if the template fits correctly in its planned location. If the template does not fit, make a new template with the required corrections until it does fit correctly.
3. With the template in place, mark the location for the center of the flue pipe when the unit is in place. If installing a 1200 KI the distance will be approximately 8 $\frac{1}{4}$ " or 9 $\frac{15}{16}$ " back from the fireplace opening. If installing a 1700 KI the distance will be approximately 12 $\frac{3}{4}$ " or 14 $\frac{7}{16}$ " back from the fireplace opening. Remove the template and cut a 6 $\frac{1}{4}$ " diameter hole centered on this mark.
4. Using the template make the block-off plate of 24 gauge or thicker steel. Drill two (2) holes in each flange for mounting the plate.

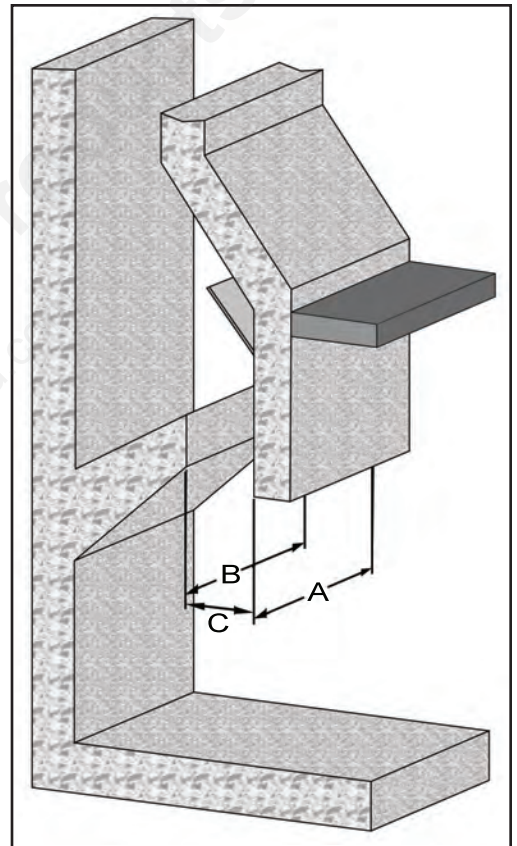


Figure 17: 3D of Dimensions needed from the Fireplace.

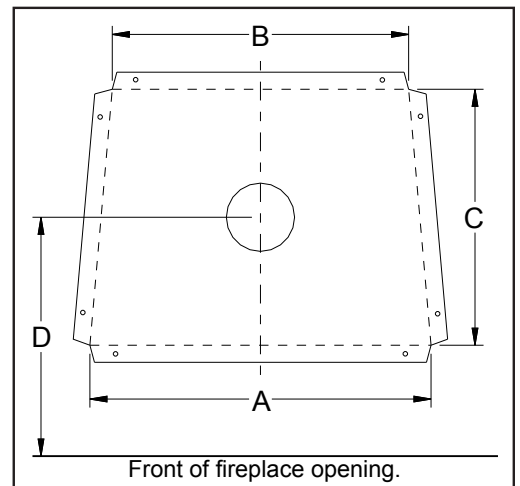


Figure 18: Layout of the Block-Off Plate.

INSTALLATION

5. Mount the block-off plate using masonry screws in a masonry fireplace and sheet metal screws on a zero-clearance fireplace (screws need only be long enough to penetrate the first layer of metal).
6. Insulate the block-off plate using high - temperature fiberglass insulation and furnace cement.

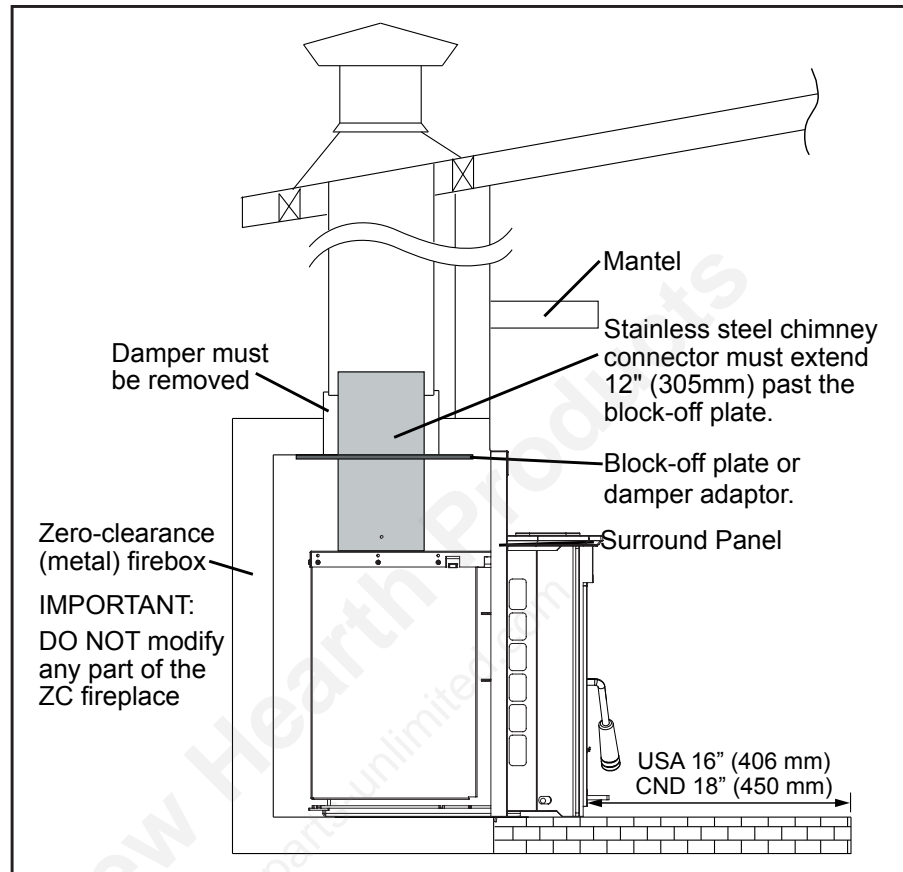


Figure 19: Insert Install into a Zero-Clearance Fireplace.

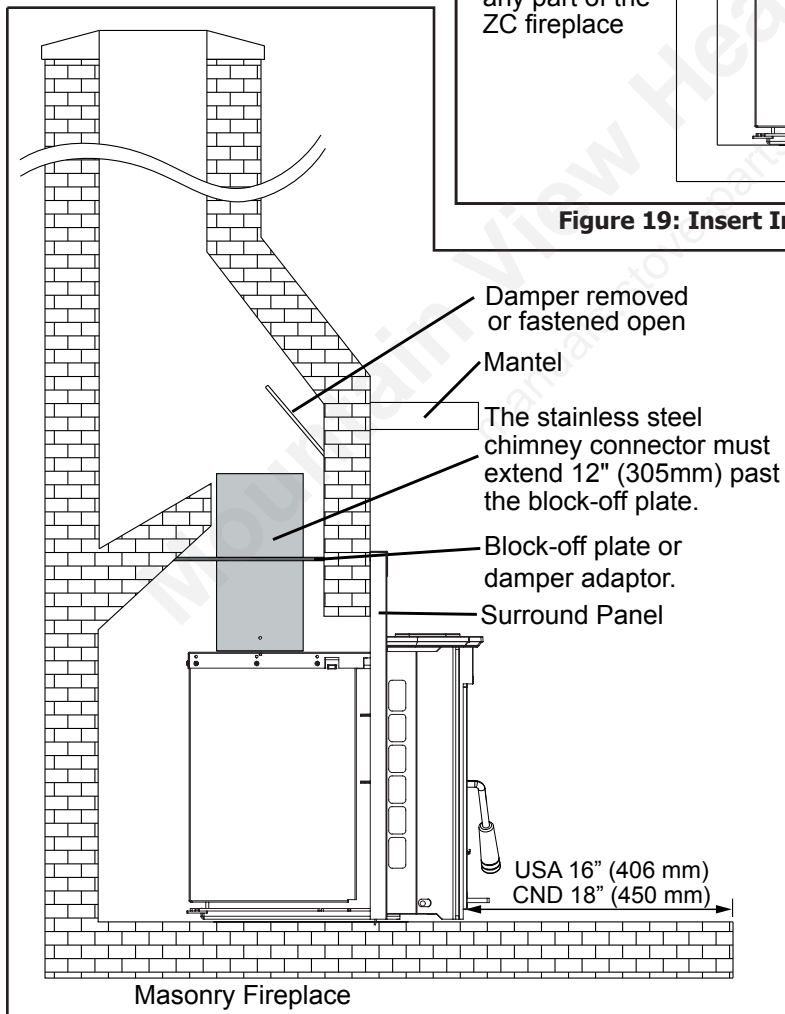


Figure 20: Masonry Fireplace Direct Connection Insert Install.

7. After installing the unit into place and the pipe through the block-off plate, use high - temperature fiberglass insulation and furnace cement to seal any gaps between the pipe and block-off plate (allow the cement to dry for at least 24 hours before burning).

Before starting this type of installation refer to **INSTALLATION - MASONRY FIREPLACE** **INSTALLATION - INSERT** for additional information. For clearances refer to **SPECIFICATIONS - CLEARANCES TO COMBUSTIBLES - 1200 KI INSERT** and **SPECIFICATIONS - CLEARANCES TO COMBUSTIBLES - 1700 KI INSERT**. See Figure 19 and 20 for examples of a masonry fireplace and a zero-clearance fireplace with a direct connection

INSTALLATION

MODEL 1200 KI BRICK PLACEMENT & TUBE LOCATIONS:

COMPLETE THE STOVE AND SMOKE PIPE INSTALLATION BEFORE PLACING THESE BRICKS.

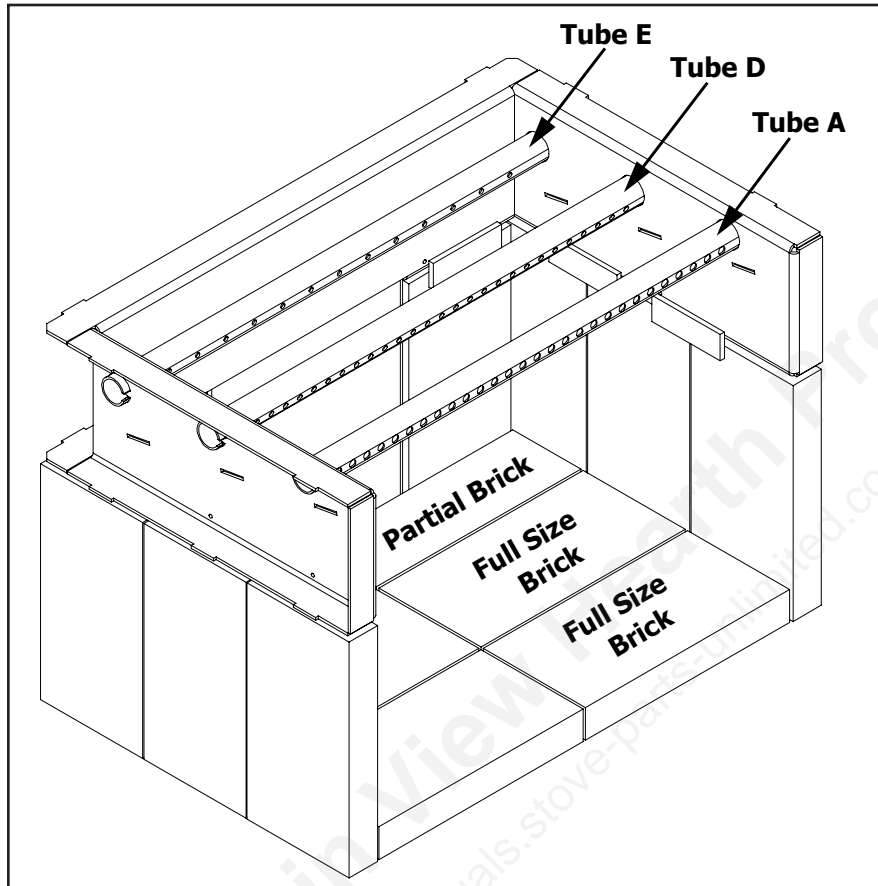


Figure 21: Brick Placement for 1200 KI shown with Secondary Air Channel and Tubes.

1. Place the three (3) full size bricks along each side of the firebox and one (1) full size brick on either side of the back of the firebox.
2. To place the floor bricks, lay the two (2) partial bricks along the back of the floor. Then on the left, lay two (2) full size bricks and on the right, lay a full size brick in the center and the half brick in the front (for the ash dump). The spaces between the bricks will soon fill with ashes.

When replacing bricks, use only pumice type fire bricks.

TOTAL BRICKS:

- | | |
|-----------------------|---|
| 12 - Full size bricks | 9" long x 4.5" wide x 1.25" thick
(22.9 cm long x 11.4 cm wide x 3.2 cm thick) |
| 2 - Partial bricks | 9" long x 3" wide x 1.25" thick
(22.9 cm long x 7.6 cm wide 3.2 cm thick) |

Removing Air Tube: If a secondary air tube needs to be removed, place a screwdriver (any style except flat head) into one of the air holes and tap it with a hammer/mallet to the left until the right end of the tube is freed. To installation a secondary air tube reverse the above instructions.

IMPORTANT: All secondary air tubes must be in place for proper operation.

INSTALLATION

MODEL 1700 KI BRICK PLACEMENT & TUBE LOCATIONS:

COMPLETE THE STOVE AND SMOKE PIPE INSTALLATION BEFORE PLACING THESE BRICKS.

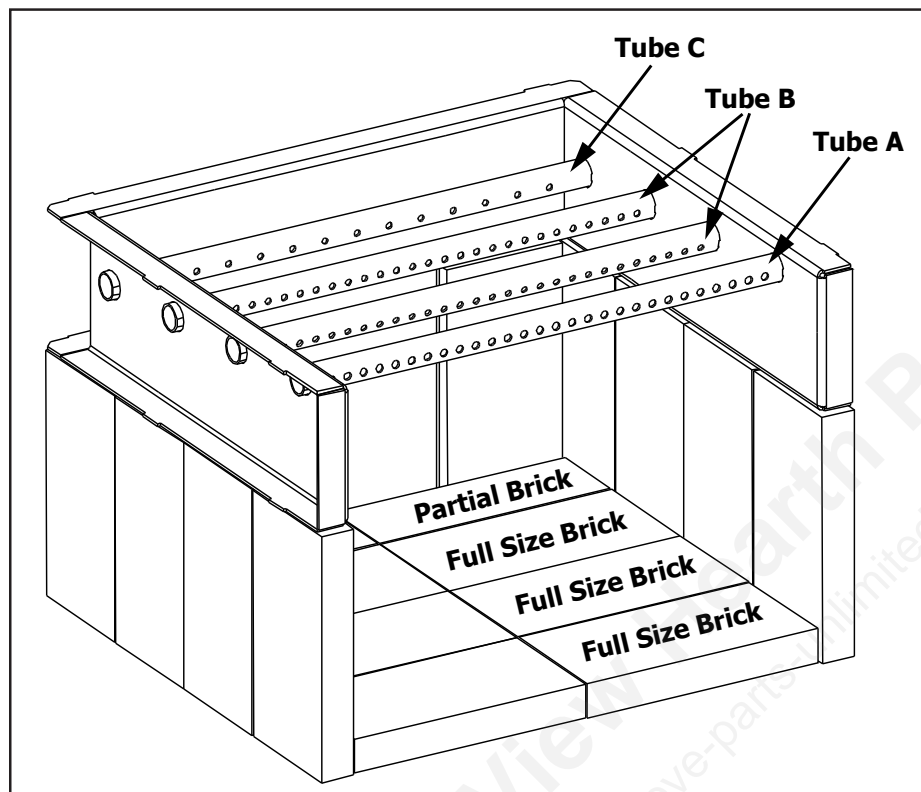


Figure 22: Brick Placement for 1700 KI shown with Secondary Air Channel and Tubes.

1. Place the four (4) full size bricks along each side of the firebox and one (1) full size brick on either side of the back of the firebox.
2. To place the floor bricks, lay the two (2) partial bricks along the back of the floor. Then on the left, lay three (3) full size bricks and on the right, lay two (2) full size bricks in the center and the half brick in the front (for the ash dump). The spaces between the bricks will soon fill with ashes.

When replacing bricks, use only pumice type fire bricks.

TOTAL BRICKS:

16 - Full size bricks 9" long x 4.5" wide x 1.25" thick
(22.9 cm long x 11.4 cm wide x 3.2 cm thick)

2 - Partial bricks 9" long x 3" wide x 1.25" thick
(22.9 cm long x 7.6 cm wide 3.2 cm thick)

Removing Air Tube: If a secondary air tube needs to be removed, place a screwdriver (any style except flat head) into one of the air holes and tap it with a hammer/mallet to the left until the right end of the tube is freed. To installation a secondary air tube reverse the above instructions.

IMPORTANT: All secondary air tubes must be in place for proper operation.

INSTALLATION

C-CAST CERAMIC BAFFLE INSTALLATION:

1. Slide the right C-Cast Ceramic Baffle in over the secondary air tubes at the top of the firebox. The tab must be on the top and pointing towards the center and the smooth side is to face down.
2. Hook the outside edge of the baffle over the top of the secondary air chamber. This will make room to for the installation of the left C-Cast Ceramic Baffle.
3. Slide the left C-Cast Ceramic Baffle in over the secondary air tubes. The tab must be on the bottom and pointing towards the center and the smooth side is to face down.
4. Pull the baffles together in the middle so the right tab rests on top of the left tab. Ensure the baffles are flush with the back and both sides of the firebox.

Note: If the bolts on the flue collar are not to the left and right of the hole, the front secondary air tube will need to be removed in order to install or remove the C-Cast Ceramic Baffles. To remove the front secondary air tube place a screwdriver (any style except flat head) into one of the air holes and tapping it with a hammer/mallet to the left.

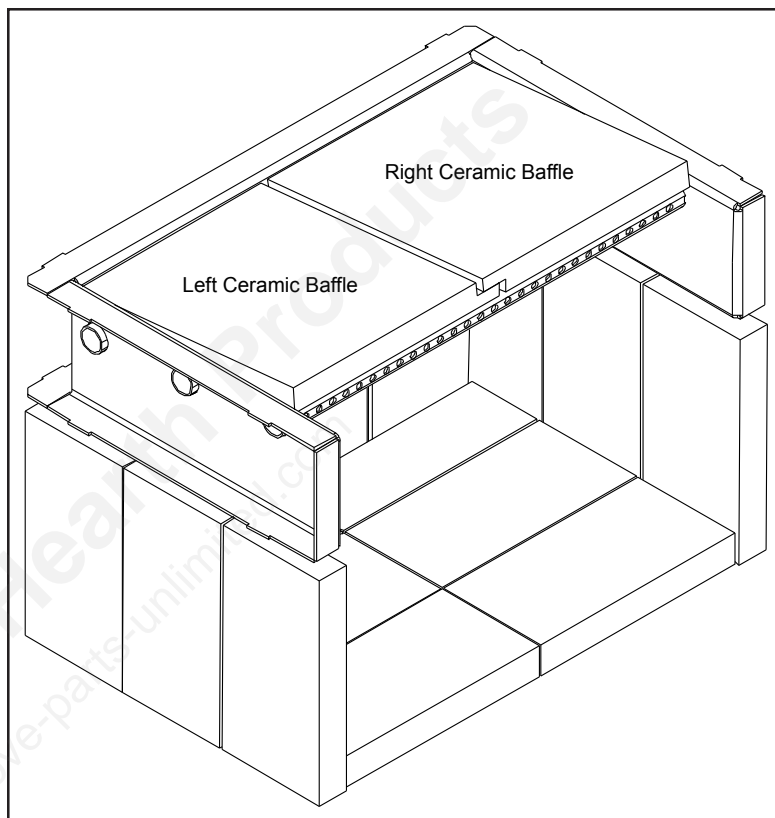


Figure 23: Installation of C-Cast Ceramic Baffle.

FAN WIRING DIAGRAMS:

This appliance, when installed, must be electrically connected and grounded in accordance with local codes or in the absence of local codes, with the current CSA C22.1 CANADIAN ELECTRICAL CODE. Part 1, SAFETY STANDARDS FOR ELECTRICAL INSTALLATIONS, or THE NATIONAL ELECTRICAL CODE ANSI / NFPA 70 in the USA.

CAUTION Label all wires prior to disconnection when servicing controls. Wiring errors can cause improper and dangerous operation. Verify proper operation after servicing.

DO NOT oil the fan bearings.

DO NOT cut or remove the grounding prong from the plug.

DO NOT route the power cord beneath the heater or away from the heat.

WARNING: This appliance is equipped with a three-prong (grounding) plug for your protection against shock hazard and should be plugged into a properly grounded three-prong receptacle.

INSTALLATION

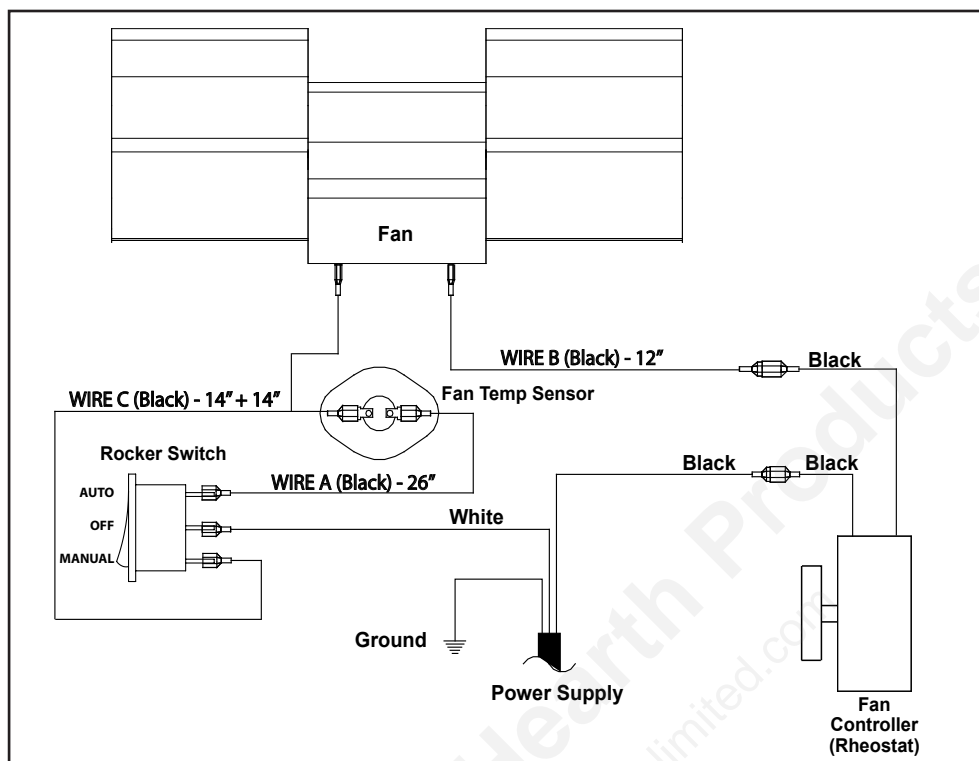


Figure 24: KI Fan Wiring Diagram.

FAN REMOVAL:

The KI Insert comes with the fan assembled and installed in the left shroud.

- 1) Remove fan shroud, there are two 8-32 T-20 screws mounting it to the firebox, there are two 1/2" hole in the cabinet side to access screws.
- 2) Disconnect all electrical connections to the fan.
- 3) Remove the four 8-32 X 3/4" hex head screws that hold the fan mounting plate to the shroud.
- 4) Remove the fan control knob and nut from the front of the shroud and pull the controls out the back.
- 5) Install the fan kit into the new shroud by following reversing steps 1 to 3. Refer to FAN WIRING DIAGRAM to ensure the fan is reconnected properly.

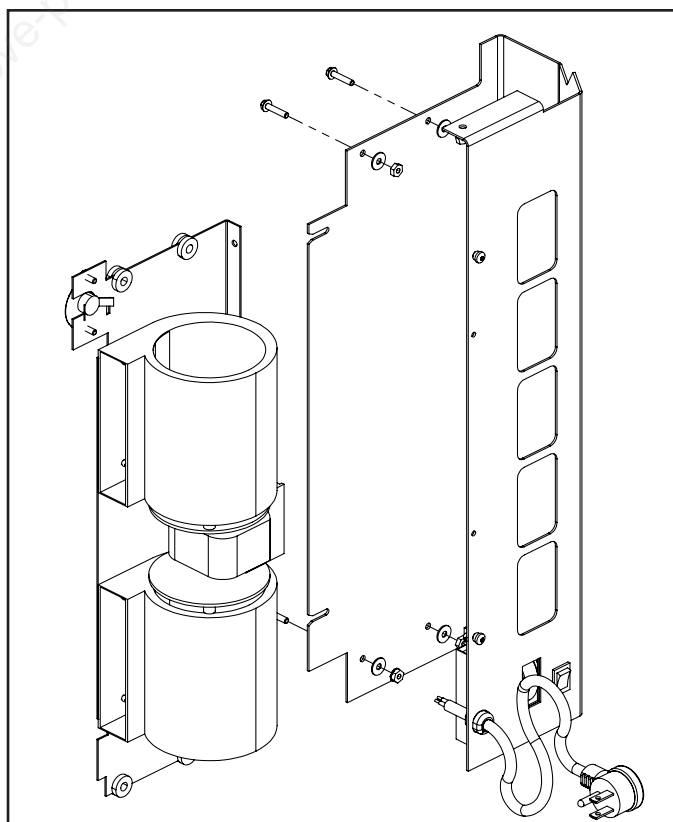
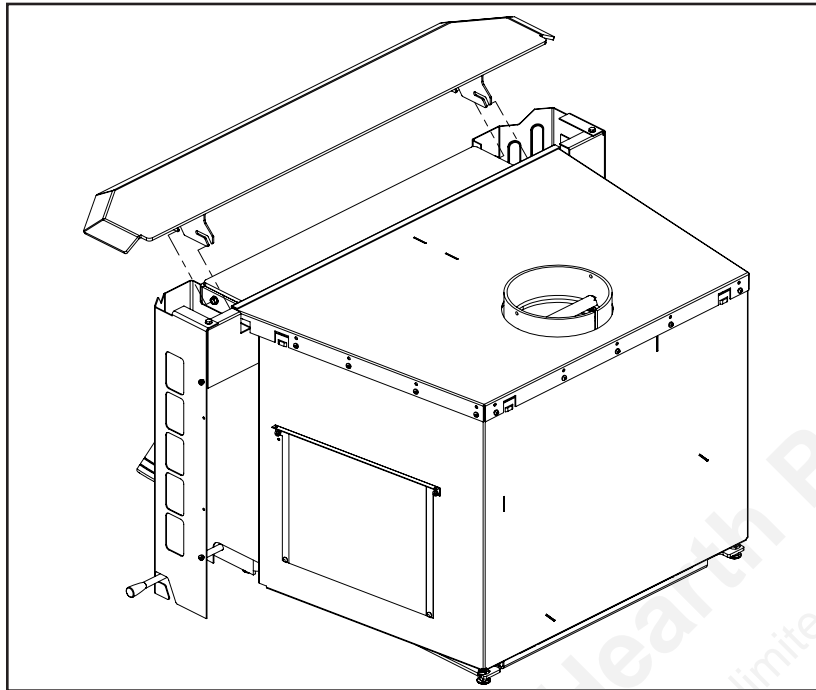


Figure 25: Left Fan Shroud Assembly

INSTALLATION

REMOVAL OF TOP:



1. To remove the top from the unit lift up and pull forward.

Figure 26: Removal of Top.

INSTALLATION OF THE SURROUND PANEL:

1. You will need to remove the top as shown above before installing the surround panel.
2. Once the top has been removed slide the surround panel over the unit.
3. The surround will hook on to the side shrouds.
4. Re-install the top once the surround is in place.

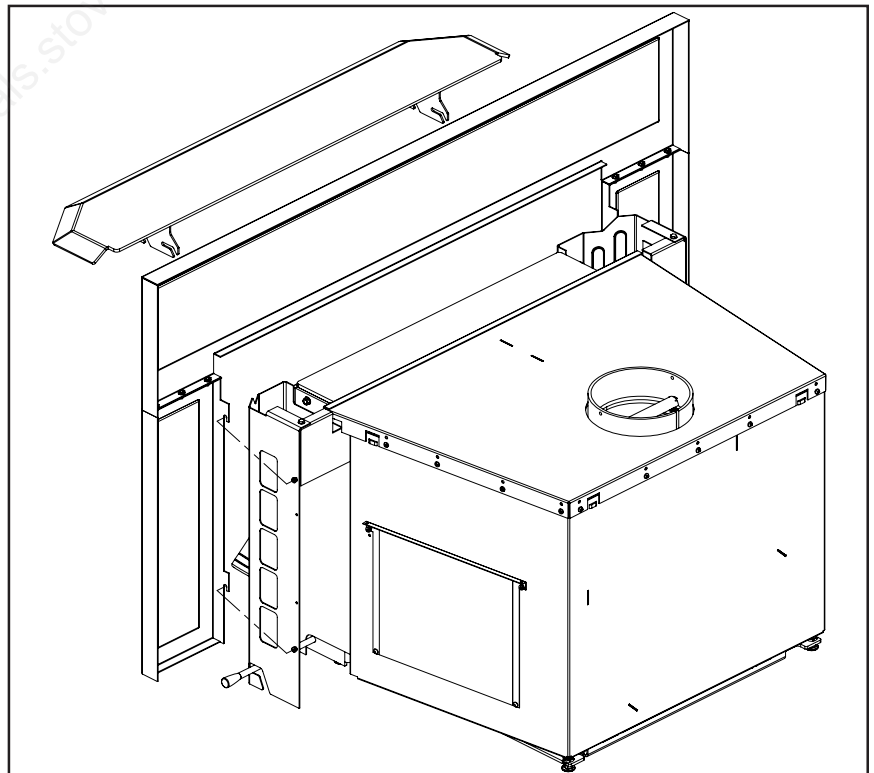


Figure 27: Installation of Surround Panel.

RATING LABEL

Tested & Listed By **OTL** Portland Oregon USA
OMNI-Test Laboratories, Inc.
 Certified for use in Canada & USA /
 Certifié pour installation au Canada et aux États-Unis.

DO NOT REMOVE THIS LABEL / NE PAS ENLEVER CETTE ÉTIQUETTE
LISTED SOLID FUEL SPACE HEATER / IDENTIFIÉ COMME UN FOYER À COMBUSTIBLE SOLIDE

Serial No. / No. De Série:

Model / Modèle: Report/Rapport no. Boston 1200 FS 268-S-04b-2 Kodiak 1200 FS 268-S-04b-2 Boston 1200 FPI 268-S-05b-2 Venice 1200 FPI 268-S-05b-2 KI 1200 FPI 268-S-05b-2 Boston 1700 FS 268-S-01b-2 Kodiak 1700 FS 268-S-01b-2 Boston 1700 FPI 268-S-06b-2 Venice 1700 FPI 268-S-06b-2 KI 1700 FPI 268-S-06b-2

Models 1200 and 1700 Freestanding units: Room Heater, Solid Fuel Type, Also For Use In Mobile Homes. Tested to ULC-S627-00, ULC-S628-93 (FPI only), & UL-1482-10.

Modèles 1200 et 1700 items indépendants: Chauffage pièce, le type de combustible solide, également pour une utilisation dans les maisons mobiles. Testé selon ULC-S627-00, ULC-S628-93 (FPI seulement), & UL-1482-10.

Install and use only in accordance with the manufacturers installation and operating instructions. Contact local building or fire officials about restrictions and installation inspection in your area. Use 6" (150 mm) diameter minimum 24 MSG black or 25 MSG blue steel connector listed factory-built chimney suitable for use with solid fuels or masonry chimney. See local building code and manufacturer's instructions for precautions required for passing a chimney through a combustible wall or ceiling. Do not pass chimney connector through a combustible wall or ceiling. Minimum clearances from horizontal connector and ceiling 18" (455 mm). Do not connect this unit to a chimney flue servicing another appliance.

Ce dispositif doit être installé et opéré conformément aux instructions d'installation et d'opération du fabricant contactez le service local de l'inspection des bâtiments ou l'officier pompier concernant les restrictions et l'inspection d'installation dans votre localité. Utilisez des connecteurs répertoriés 24 MSG noir ou 25 MSG en acier brossé de 6" (150 mm) minimum, et une cheminée de fabrication industrielle, appropriée pour utilisation avec des combustibles solides ou avec une cheminée de maçonnerie. Vérifiez les précautions à prendre exigées par le code local et les instructions du fabricant concernant les conditions pour passer la cheminée à travers un mur ou un plafond combustible. Ne pas installer le connecteur de la cheminée à travers un mur ou un plafond combustible. Espaces libres minimum d'un connecteur horizontal et plafond sont 18" (455 mm) ne pas connecter ce dispositif à un conduit de cheminée qui sert déjà un autre dispositif.

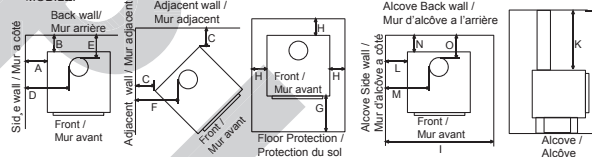
Minimum Clearances to Combustible Materials / Espaces Libres Aux Matériaux Combustibles.	Single wall pipe / Seul connecteur de mur		**Double wall pipe / Double connecteur de mur		Double wall pipe with efficiency shield (Flat top model only) / Double connecteur de mur avec la protection d'efficacité (Le modèle plat seulement)		Top vent out back wall with min. 24" (610mm) vertical rise: double wall pipe / Donné vent hors de la paroi arrière avec le min. 24" (610 mm) l'ascension verticale: double connecteur de mur	
	1200	1700	1200	1700	1200	1700	1200	1700
A Sidewall to unit / De la paroi latérale au dispositif	13" (330 mm)	20" (508 mm)	13" (330 mm)	13" (330 mm)	13" (330 mm)	13" (330 mm)	14" (356 mm)	11" (279 mm)
B Backwall to unit / De la paroi arrière au dispositif	11" (279 mm)	12" (305 mm)	10" (254 mm)	10" (254 mm)	8" (203 mm)	7" (178 mm)	12" (305 mm)	13" (330 mm)
C Adjacent wall to corner of unit / De la paroi adjacente au coin de dispositif	9" (229 mm)	10" (254 mm)	8" (203 mm)	8 1/2" (216 mm)	6 1/2" (165 mm)	6" (152 mm)		
D Sidewall to connector / De la paroi latérale au connecteur	22" (559 mm)	29" (737 mm)	22" (559 mm)	22" (559 mm)	22" (559 mm)	22" (559 mm)	23" (584 mm)	16" (381 mm)
E Backwall to connector / De la paroi arrière au connecteur	14" (356 mm)	15" (381 mm)	13" (330 mm)	13" (330 mm)	11" (279 mm)	10" (254 mm)	15" (381 mm)	15" (406 mm)
F Adjacent wall to connector / De la paroi adjacente au connecteur	17 1/2" (445 mm)	18 1/2" (470 mm)	16 1/2" (419 mm)	17" (432 mm)	15" (381 mm)	14 1/2" (368 mm)		
G † Front of door opening to edge of hearth / Le devant d'ouverture de porte au bord de coussin de coeur	USA 16" (406 mm) CND 18" (450 mm)							
H † Side/back of unit to edge of hearth / La latérale/arrière de dispositif au bord de coussin de coeur	USA 6" (152 mm) CND 8" (200 mm)							

CAUTION: An uninsulated smoke pipe must not pass through an attic, roof space, closet or similar concealed space, or through a floor, ceiling, wall, or partition, or any combustible construction.
 † FLOOR PROTECTION: If a stove is installed on a combustible floor, it must have the legs or pedestal attached and be on a NON COMBUSTIBLE hearth pad
 * ALL CLEARANCES CAN BE REDUCED WITH SHIELDING ACCEPTABLE TO THE LOCAL AUTHORITY.
SINGLE WALL:
 IN CANADA: Any ULC-S629 listed chimney system with the accompanying listed single wall vent connector.
 IN U.S.A.: Any UL 103 HT listed chimney system with the accompanying listed single wall vent connector.
****DOUBLE WALL:**
 IN CANADA: Any ULC-S629 listed chimney system with the accompanying listed double wall vent connector.
 IN U.S.A.: Any UL 103 HT listed chimney system with the accompanying listed double wall vent connector.
DOUBLE WALL IS REQUIRED FOR MOBILE HOME INSTALLATIONS.

MISE EN GARDE: Un insulated tuyau de fumée ne doit pas passer par un grenier, un espace de toit, le placard ou l'espace dissimulé similaire, ou par un plancher, un plafond, un mur, ou une cloison, ou une construction combustible.
 † PROTÉGER LE PLANCHER: Si une cuisinière est installée sur un sol combustible, il doit avoir un piédestal attaché être sur un coussinet non-combustible.
 TOUS "ESPACES LIBRES AUX MATÉRIEL COMBUSTIBLES" PEUVENT ÊTRE RÉDUITS AVEC PROTÉGÉANT ACCEPTABLE À L'AUTORITÉ LOCALE.
Seul Connecteur de Mur:
 Au Canada: Certifiée: seul connecteur de mur avec toute systèmes de cheminée listée sous ULC-S629.
 Aux États-Unis: Certifiée: seul connecteur de mur avec toute systèmes de cheminée listée sous UL 103 HT.
****Double Connecteur de Mur:**
 Au Canada: Certifiée: double connecteur de mur avec toute systèmes de cheminée listée sous ULC-S629.
 Aux États-Unis: Certifiée: double connecteur de mur avec toute systèmes de cheminée listée sous UL 103 HT.

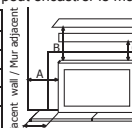
**Alcove (Use double wall pipe) / Alcôve (Utilisant le double connecteur de mur)	Model/Modèle 1200	Model/Modèle 1700
J Total width / Largeur totale	55" (1397 mm)	51" (1295 mm)
I Total height / Hauteur totale	78" (1981 mm)	72" (1829 mm)
K Top of stove to ceiling / Le sommet de poêle au plafond	49" (1245 mm)	44" (1118 mm)
L Sidewall to unit / De la paroi latérale au dispositif	15" (381 mm)	13" (330 mm)
M Sidewall to connector / De la paroi latérale au connecteur	24" (610 mm)	22" (559 mm)
N Backwall to unit / De la paroi arrière au dispositif	12" (305 mm)	8" (203 mm)
O Backwall to connector / De la paroi arrière au connecteur	15" (381 mm)	11" (279 mm)
P Maximum Depth / Profondeur maximum	48" (1220 mm)	48" (1220 mm)

DOUBLE CONNECTEUR DE MUR NÉCESSAIRES POUR INSTALLATION DANS LES MAISONS MOBILE.



Models 1200 and 1700 inserts may be installed as an insert in a masonry fireplace. / On peut encastrier le modèles 1200 et 1700 dans un foyer de maçonnerie.

Model / Modèle	1200 FPI	1700 FPI
A To unshielded side wall / aux mur non protégé	10" (254 mm)	10" (254 mm)
B To an unshielded 8" (203 mm) mantle / aux manteau 8" non protégé	21" (533 mm)	24" (610 mm)
C To top facing (protruding 3/4" [19 mm]) clearance / aux revêtement supérieur	17 1/2" (445 mm)	19 1/2" (495 mm)
D To side facing (protruding 3/4" [19 mm]) clearance / aux revêtement à côté	1" (25 mm)	1" (25 mm)
E † Front door opening of unit to edge of floor protection / De ouverture de la porte de l'unité à bord de la protection de plancher	USA 16" (406mm) / CND 18" (450mm)	
F † Front side of unit to edge of floor protection / Du côté de l'unité au bord de la protection de plancher	USA 6" (152 mm) / CND 8" (200 mm)	



† FLOOR PROTECTION / PROTÉGER LE PLANCHER:
 If unit is raised / Si l'appareil est soulevé:
 0" - 2" (0mm - 51mm); 1" (25mm) non-combustible material with k value = 0.84 or equivalent /
 2" - 8" (51mm - 203mm); 1" (25mm) le matériel incombustible avec la valeur de k = 0.84 ou équivalent.
 Greater than/Plus grand que 8" (203 mm) any non-combustible material / n'importe quel type de matériel incombustible.

OPERATE ONLY WITH DOORS CLOSED. Only open door to feed fire. For use with solid wood fuels only. Do not use any other type of fuel. Do not use grate or elevate-fire build wood fire directly on hearth. Do not overfire. Do not obstruct beneath the heater. If heater or chimney connector glows, you are overfiring. Inspect and clean chimney frequently-under certain conditions of use, creosote buildup may occur rapidly. The provided insulation materials are required for operation. Keep furnishing and other combustibles well away from heater. Replace glass only with 5 mm thick ceramic glass. Optional component for FS: fan, electrical rating 115V, 60 Hz 1 Amp (Part # EF-W-261). Combustion air openings are not to be obstructed.

L'OPÉRATION DU POÊLE DOIT SE FAIRE AVEC LA PORTE FERMÉE. N'ouvrez la porte que pour alimenter le feu. Utilisez que des combustibles solides. Ne pas utiliser un autre type de carburant. N'employez pas de grille de foyer ou ne surélevez pas le feu. Mettez le bois à brûler directement sur l'âtre. Pour éviter la surchauffe, ne mettez pas trop de bois. N'obstruez pas les ouvertures d'air. Si le poêle ou le connecteur commencent à luire, vous surchauffez le poêle. Inspectez et nettoyez la cheminée souvent. Dans certaines conditions, le créosote peut s'accumuler rapidement. Les matériaux d'isolation fournis sont requis pour l'opération. Tenez loin les meubles et d'autres produits combustibles. Ne remplacez le verre qu'avec du verre céramique, 5mm épais. Équipement en option pour un FS: ventilateur caractéristiques assignées 115V, 60 Hz, 1 Amp (pièce # EF-W-261) tenez le câble électrique loin du poêle. **Danger:** Le risque de choc électrique. Débrancher le dispositif avant d'entretenir. Ouvertures d'air de combustion ne doivent pas être obstrués.

CAUTION: HOT WHILE IN OPERATION. DO NOT TOUCH. KEEP CHILDREN, CLOTHING AND FURNITURE AWAY. CONTACT MAY CAUSE SKIN BURN. READ NAMEPLATE AND INSTRUCTIONS.



MISE EN GARDE: TRÈS CHAUD QUAND ALLUMÉ. NE TOUCHEZ PAS. TENIR LOIS LES ENFANTS, LES VÊTEMENTS ET LES MEUBLES. LE CONTACT PEUT CAUSER DES BRÛLURES. LISEZ ATTENTIVEMENT L'ÉTIQUETTE ET LES INSTRUCTIONS.

MADE IN CANADA / FABRIQUE AU CANADA

MANUFACTURED BY / FABRIQUE PAR: SHERWOOD INDUSTRIES LTD. 6782 OLDFIELD ROAD, SAANICHTON, BC CANADA



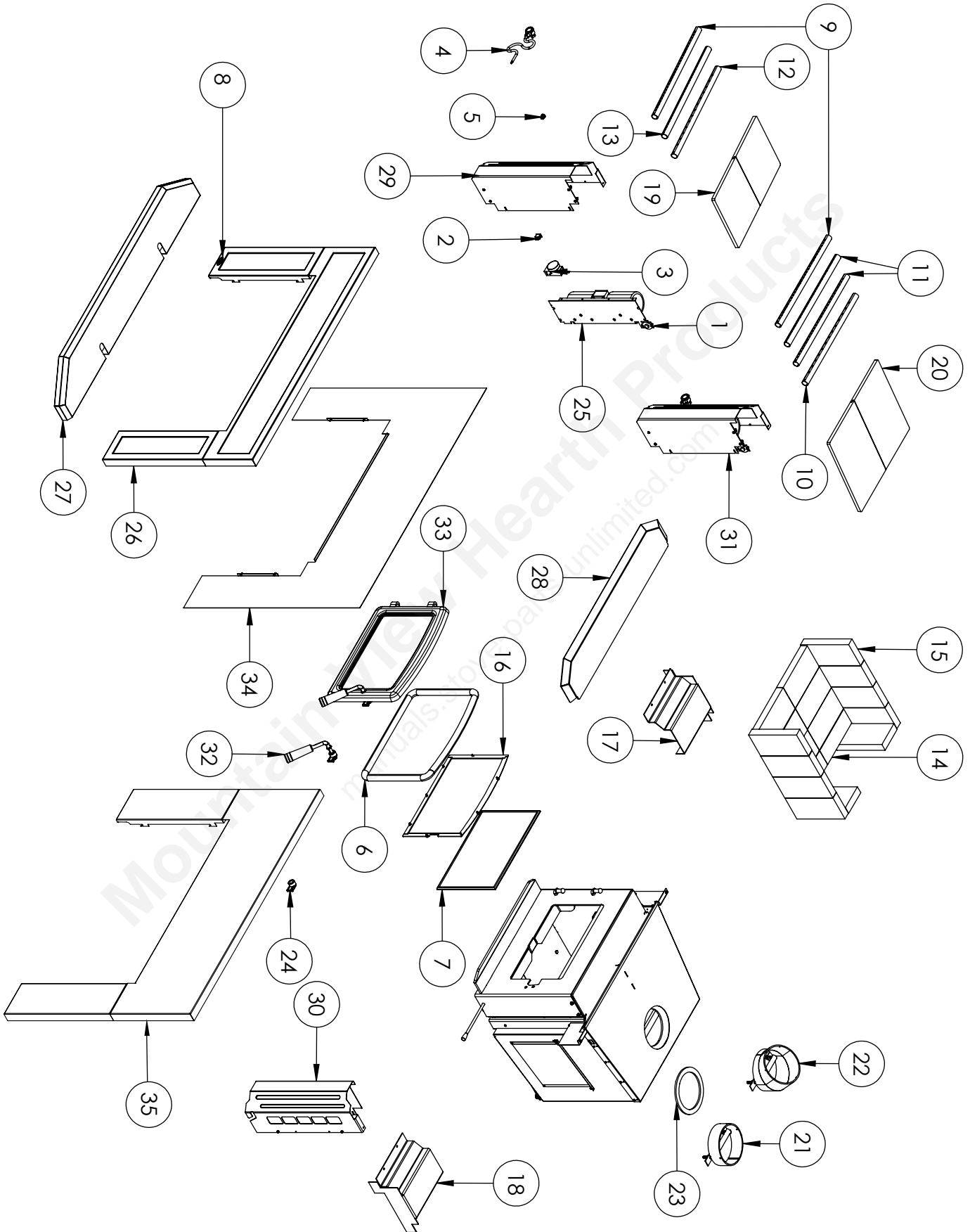
DATE OF MANUFACTURE / DATE DE FABRICATION:

J	F	M	A	M	J	J	A	S	O	N	D	2014	2015	2016	2017	2018	C-14290
---	---	---	---	---	---	---	---	---	---	---	---	------	------	------	------	------	---------

PARTS LIST

Reference #	Description	Part #
1	120F (49C) Ceramic Fan Temperature Sensor	EC-001
2	Insert Burner Switch	EC-026
3	FPI Fan Controller 115V	EC-039
4	Domestic Power Cord 115V	EC-042
5	Heyco Strain Relief	EC-044
6	Wood Door Gasket	EF-168
7	Glass with Tape	10-000
8	Enviro Logo Gel Decal	50-322
9	1200 & 1700 Front Secondary Air Tube A	50-1099
10	1700 Rear Secondary Air Tube C	50-1100
11	1700 Middle Secondary Air Tube B	50-1101
12	1200 Secondary Air Tube Rear E	50-1102
13	1200 Secondary Air Tube Middle D	50-1103
14	Pumice Brick 3" x 9"	50-1104
15	Pumice Brick 4.5" x 9"	50-1105
16	Glass Retainer Kit (With Screws)	50-1122
17	1200 & 1700 Left Shield Assembly	50-1144
18	1200 & 1700 Right Shield Assembly	50-1145
19	1200 Ceramic Baffle - L/R Set	50-1146
20	1700 Ceramic Baffle - L/R Set	50-1147
21	FPI Flue Collar Assembly	50-1148
22	FPI Angled Flue Collar Assembly	50-1565
23	1200 & 1700 Ceramic Flue Gasket	50-1413
24	1200 & 1700 Cast Latch	50-1381
25	1200 & 1700 Insert Replacement Fan	50-2204
26	1200/1700 KI Formed Surround Panel	50-2893
27	Fireplace Insert Base Shelf	50-1986
28	KI Formed Top	50-2911
29	KI Left Fan Shroud	50-2912
30	KI Right Shroud	50-2913
31	KI Left Fan Shroud Complete	50-2914
32	Wood Handle w/ Hardware	50-2909
33	Painted Cast Door Complete	50-2897
34	Trimmable Oversize Panel	50-2896
35	1200/1700 KI OS Surround Panel	50-3015
	KI Owners Manual	50-2910

PARTS DIAGRAM





Warranty for Enviro Wood Products

Sherwood Industries Ltd. ("Sherwood") hereby warrants, subject to the terms and conditions herein set forth, this product against defects in material and workmanship during the specified warranty period starting from the date of original purchase at retail. In the event of a defect of material or workmanship during the specified warranty period, Sherwood reserves the right to make repairs or to assess the replacement of a defective product at Sherwood's factory. The shipping costs are to be paid by the consumer. All warranties by Sherwood are set forth herein and no claim shall be made against Sherwood on any oral warranty or representation.

Conditions

- A completed warranty registration must be submitted to Sherwood within 90 days of original purchase via the online warranty registration page or via the mail-in warranty registration card provided. Have the installer fill in the installation data sheet in the back of the manual for warranty and future reference.
- This warranty applies only to the original owner in the original location from date of install.
- The unit must have been properly installed by a qualified technician or installer, and must meet all local and national building code requirements.
- The warranty does not cover removal and re-installation costs.
- Sherwood Industries Ltd. reserves the right to make changes without notice.
- Sherwood Industries Ltd. and its employees or representatives will not assume any damages, either directly or indirectly caused by improper usage, operation, installation, servicing or maintenance of this appliance.
- A proof of original purchase must be provided by you or the dealer including serial number.

Exclusions

An expanded list of exclusions is available at www.enviro.com/help/warranty.html

This warranty does not cover:

- Damage as a result of improper usage or abuse.
- Damage caused from over-firing due to incorrect setup or tampering.
- Damage caused by incorrect installation.

To the Dealer

- Provide name, address and telephone number of purchaser and date of purchase.
- Provide date of purchase. Name of installer and dealer. Serial number of the appliance. Nature of complaint, defects or malfunction, description and part # of any parts replaced.
- Pictures or return of damaged or defective product may be required.

To the Distributor

- Sign and verify that work and information are correct.

Sherwood Industries Ltd.

6782 Oldfield Road, Victoria, BC . Canada V8M 2A3

Online warranty registration: www.enviro.com/warranty/

Category	One Year	Two Year	Limited Lifetime (7yr)
Parts ¹ (unit serial number required)		✓	
Firebox (excluding bricks) ²			✓
Ceramic Baffle ³			✓
Secondary Air Tubes			✓
Surround Panels (excluding finish)			✓
Pedestals / Legs (excluding finish)			✓
Ceramic Glass ⁴	✓		
Door Assembly (excluding gasket)			✓
Slider Control			✓
Shield Assembly			✓
Electrical Components		✓	
Convection Fan		✓	
Exterior Surface Finishing ⁵	✓		
Gasket	✓		
Labour		✓	

¹ Whereas warranty has expired, replacement parts will be warranted for 90 days from part purchase date. Labour not included. Unit serial number required.

² Warranty does not cover damage caused from burning artificial/firestarter log varieties.

³ Excludes damage caused by loading wood, cleaning or service.

⁴ Glass is covered for thermal breakage. Photos of box, inside of door, and unit serial # must be supplied for breakage due to shipping.

⁵ Exterior Surface finishing covers Plating, Enamel or Paint and excludes colour changes, chipping, and fingerprints.

Travel costs not included.

No warranty on replacement firebricks

INSTALLATION DATA SHEET

The following information must be recorded by the installer for warranty purposes and future reference.

NAME OF OWNER: _____

ADDRESS: _____

PHONE: _____

NAME OF DEALER: _____

ADDRESS: _____

PHONE: _____

MODEL: _____

SERIAL NUMBER: _____

DATE OF PURCHASE: _____ (dd/mm/yyyy)

DATE OF INSTALLATION: _____ (dd/mm/yyyy)

INSTALLER'S SIGNATURE: _____

NAME OF INSTALLER: _____

ADDRESS: _____

PHONE: _____

MANUFACTURED BY:
SHERWOOD INDUSTRIES LTD.
6782 OLDFIELD RD. SAANICHTON, BC, CANADA V8M 2A3
www.enviro.com
Jan. 14th 2014
C-14287