

PLEASE KEEP THESE INSTRUCTIONS FOR FUTURE REFERENCE.

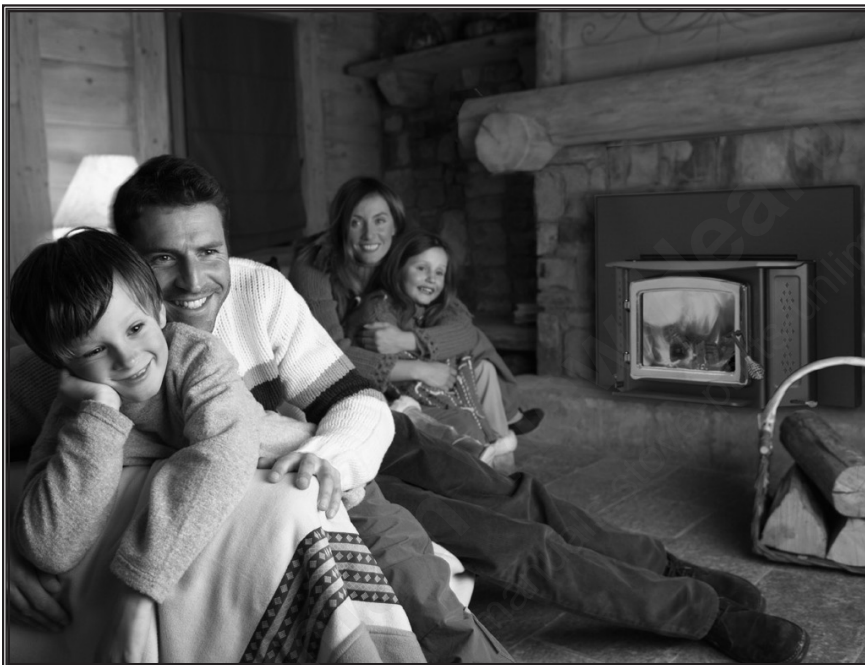


# Kodiak Wood Stove

BY: SHERWOOD INDUSTRIES LTD

## OWNER'S MANUAL

*Models: 1200 & 1700 Insert and 1200 & 1700 Fireplace Freestanding*



**INSTALLER:** Leave this manual with the wood stove.

**CONSUMER:** Retain this manual for future reference.

**Contact your local building or fire officials, or the authority having jurisdiction about restrictions and installation inspection requirements in your area.**

**PLEASE READ THIS ENTIRE MANUAL BEFORE INSTALLATION AND USE OF THIS WOOD BURNING ROOM HEATER. FAILURE TO FOLLOW THESE INSTRUCTIONS COULD RESULT IN PROPERTY DAMAGE, BODILY INJURY OR EVEN DEATH.**



**This heater meets the U. S. Environmental Protection Agencies emission limits for wood heaters sold after July 1st, 1990. Under specific conditions this heater has been shown to deliver heat at rates ranging from 11,479 to 34,196 BTU per hour for the 1200 and from 9,425 to 31,780 BTU per hour for the 1700.**

# Table of Contents

---

Safety Precautions.....	3
Operating Instructions.....	4
Building Your Fire.....	6
Air Control.....	9
How It Works.....	10
Specifications.....	11
1200 Specifications.....	11
1700 Specifications:.....	12
Clearances To Combustibles - 1200 Insert.....	13
Clearances To Combustibles - 1700 Insert.....	14
Clearances To Combustibles - 1200 Freestanding.....	15
Clearances To Combustibles - 1700 Freestanding.....	16
Dimensions - 1200 Insert.....	17
Dimensions - 1700 Insert.....	18
Dimensions - 1200 Freestanding.....	19
Dimensions - 1700 Freestanding.....	20
Freestanding Side Dimensions For Fan Kit.....	21
Installation.....	22
Removal From Pallet.....	22
Pedestal Installation - Freestanding:.....	22
Legs And Ash Pan Installation - Freestanding.....	23
Installation Of Heat-Efficiency Shield - Freestanding Flat Top.....	23
Modifications For Installation with 19 <sup>1</sup> / <sub>16</sub> " (484mm) High Lintel - Insert.....	24
Hearth Protection Examples.....	25
Outside Air Kit.....	28
Recommended Heights And Diameters For Flue Pipe.....	28
Chimney Installation Through Wall.....	29
Installation of A Listed, Factory Built Chimney - Freestanding.....	30
Masonry Fireplace Installation - Freestanding.....	33
Mobile Home Installation.....	33
Masonry Fireplace Installation - Insert.....	35
Surround Panel Sealed Installation For USA Only - Insert.....	37
Installation Using A Block-Off Plate For USA Only - Insert.....	38
Model 1200 Brick Placement & Tube Locations.....	40
Model 1700 Brick Placement & Tube Locations.....	41
Door Installation.....	42
C-Cast Ceramic Baffle Installation.....	43
Fan Wiring Diagrams.....	43
Optional Fan Installation - Freestanding.....	45
Fan Removal - Insert.....	45
Fireplace Poker Hangers - Freestanding.....	46
Removal Of The Shrouds - Insert.....	46
Installation Of The Surround Panel - Insert.....	47
Rating Label.....	48
Parts List.....	49
Parts Diagram - Freestanding.....	51
Parts Diagram - Pedestals & Legs.....	52
Parts Diagram - Fireplace Insert.....	53
Warranty.....	54
Installation Data Sheet.....	55

# Safety Precautions

## **FOR SAFE INSTALLATION AND OPERATION OF YOUR “ENVIRO” WOOD STOVE, PLEASE CAREFULLY READ THE FOLLOWING INFORMATION:**

- **Please read this entire manual before you install and use your new woodstove. Failure to follow instructions may result in property damage, bodily injury or even death. Be aware that local Codes and Regulations may override some items in this manual. Check with your local inspector.**
- If this appliance is not properly installed, operated and maintained, a serious house fire could result. Do not use any makeshift materials during installation, maintenance, or replacement.
- **HOT WHILE IN OPERATION. KEEP CHILDREN, CLOTHING, AND FURNITURE AWAY. CONTACT MAY CAUSE SKIN BURNS.**
- Operate only with the door and ash plug (if used) tightly closed and burn wood directly on the stove hearth. Do not operate if the door glass is broken or a gasket is missing or damaged. Do not alter the combustion air control valves. Dangerous overfiring could occur which could ignite creosote in the chimney or cause a house fire.
- At least 12 square inches (77.4 cm<sup>2</sup>) of fresh outside air should be admitted into the room or directly to the stove through a 4 inch (10.16 cm) diameter pipe. For the stove to operate combustion-air must be supplied through either the bottom or the back of the pedestal.
- Do not burn coal or charcoal as there is danger of carbon monoxide being produced. Do not use chemical fluids to start or re-fresh the fire. Do not burn garbage or flammable fluids such as gasoline, grease, naphtha or engine oil. Never let the stove become hot enough to get any part red or glowing red.
- Burning wet, unseasoned wood could cause excessive creosote accumulation in the flue pipe. When ignited, it could cause a chimney fire that could result in a serious house fire.
- Do not use grates, andirons or any other methods to support or raise the fire up off the hearth of the appliance.
- This free standing unit was tested and listed to UL1482-1996 and ULC-S627-00 Standard for Space Heaters for Use with Solid Fuel by Omni-Test Laboratories.
- This insert unit was tested and listed to UL1482-1996 and ULC-S628-93 Standard for Fireplace Inserts by Omni-Test Laboratories.
- Both the 1200 & 1700 Fireplace Inserts are approved for installed into a zero-clearance fireplaces in the U.S. In Canada refer to local building or fire officials for restrictions and installation inspection

**IMPORTANT:** The following must be done to ensure proper operation. Failure to do so will cause extreme overheating and possible personal injury or property damage:

- If an outside air supply has not been added to this appliance, please ensure that the 4” inch fresh air outlet on the back of the pedestal is removed.
- Ensure that the ash plug is installed over the ash dump hole.

 <p><b>NATIONAL FIREPLACE INSTITUTE</b> <b>NFI</b> <b>CERTIFIED</b> <a href="http://www.nficertified.org">www.nficertified.org</a></p>	<p>We recommend that our woodburning hearth products be installed and serviced by professionals who are certified in the U.S. by the National Fireplace Institute® (NFI) as NFI Woodburning Specialists or who are certified in Canada by Wood Energy Technical Training (WETT).</p>  <p><b>Wood Energy Technical Training</b> <a href="http://www.wettinc.ca">www.wettinc.ca</a></p>
---	--

# Operating Instructions

## **FIRST START**

When first installed, the chimney, firebricks and steel are cold and it usually takes several hours on a fairly high burn for them to become hot and dry enough for the stove to function well. We recommend during the unit's first burn that a door and window are opened to vent the smoke and fumes created from the unit's paint curing. The paint will smell a little for the first burn or two as it cures.

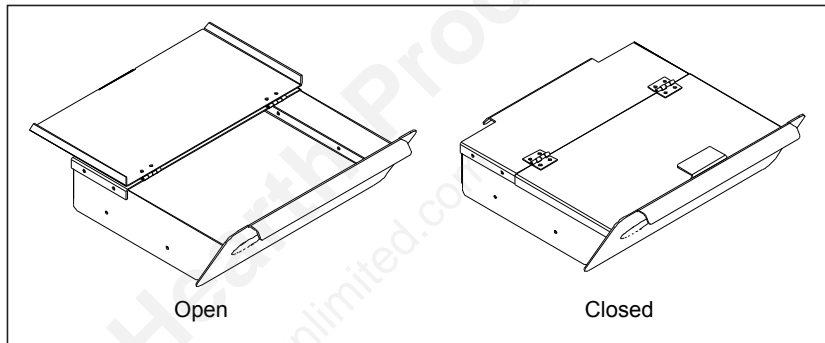
## **DISPOSAL OF ASHES:**

If you let the ashes accumulate two or three inches on the floor they tend to burn themselves up.

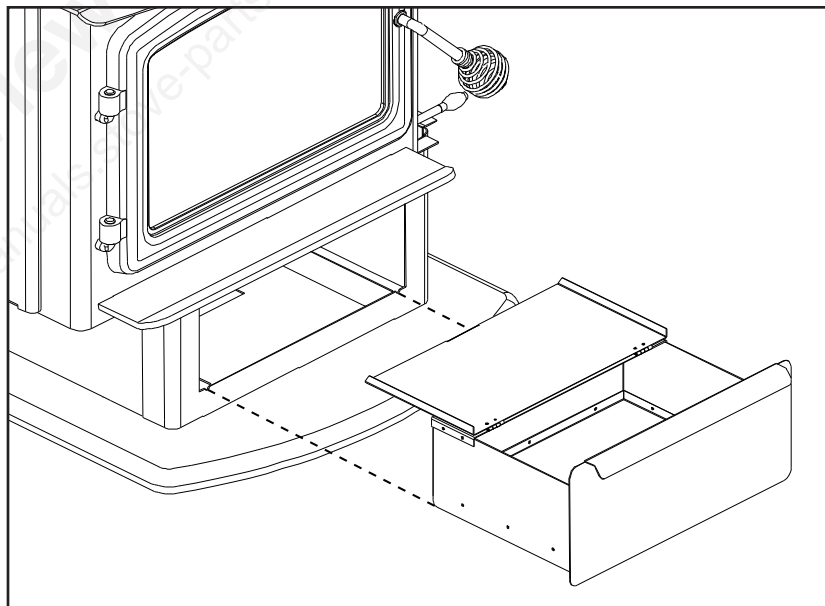
The fireplace insert models do not have an ash drawer so the ashes will need to be scooped into a metal container with a tightly fitting lid. Place the closed container on a non-combustible floor, well away from combustible materials.

The freestanding models are equipped with a small trap door in the firebox and an ash drawer. Open the trap door located on the floor of the unit. Push the ashes that have accumulated into the hole where the ashes would drop into the ash pan. Ensure that the trap door is closed properly before relighting the unit. When the ash drawer is ready to be emptied lift the front of the drawer up then slowly pull the drawer straight out and close the lid on the ash drawer (see Figure 1); this is to prevent making a mess with the ashes when transporting the ash drawer through the house. When re-installing the ash drawer ensure that the lid is open and line up the rails on the bottom of the ash drawer with the notches in the opening on the pedestal (see Figure 2). Slide the drawer into place, the front of the drawer will drop a bit when it is all the way in.

If the ashes are to be buried in soil or otherwise locally dispersed, keep them in a closed container until all cinders have cooled. Small amounts of cold wood ash can be used in the garden or compost.



**Figure 1: Ash Drawer Lid Open and Close.**



**Figure 2: Installing Ash Drawer.**

## **FAN OPERATION:**

All models have been approved for operation with or without the optional fans supplied by the manufacturer. On medium or high burns, using a fan will increase the heat transfer slightly. Route the power supply cord along the floor behind the stove where it will remain cool.

# Operating Instructions

---

1. Plug the fan assembly into a standard three (3) prong grounded electrical receptacle.
2. Freestanding - turn the rotary fan controller to the desired setting.  
Inserts - an auto/off/manual rocker switch allows the fan to be turned on manually, or automatically. When this switch is pushed right toward the unit, it will be set to manual operation; the center position is off, and when pushed left away from the unit, it will be set to automatic.
3. In automatic mode (& for freestanding units), set the rotary switch to the desired setting, once operating temperature is reached, the fan temperature sensor will turn the fan on. When the unit cools down, the fan temperature sensor will shut the fan off automatically.
4. In manual mode (Inserts only) the fan can be turned on and off any time using the rotary switch.

## **REPLACING THE GLASS:**

Never strike or slam the door, hit the glass or let burning wood rest against it. If the glass cracks when the fire is burning, do not open the door until the fire is out and do not operate the stove again until the glass has been replaced. If the glass is damaged in any way, a factory replacement is required (see "PARTS LIST"). To remove the door, open and lift. To replace the glass, remove the steel retaining clips and all loose glass. Replace only with Neoceram 5 mm glass 16.61" (422 mm) x 10.63" (270 mm) and wrap the edges with 0.125" (3.2 mm) x 0.5" (13 mm) self-adhesive fiberglass gasket.

Wear gloves when handling damaged glass door assembly to prevent personal injury. When the glass door assembly is being transported, it must be wrapped in newsprint and tape and/or a strong plastic bag. **The glass must be purchased from an ENVIRO dealer. No substitute materials are allowed.**

## **CLEANING THE PLATED SURFACES:**

Painted faces should be wiped with a damp cloth periodically. If a plated door has been purchased, it should be unpacked carefully to avoid getting anything on the surface of the finish, including cleaners, polish and finger prints. It is important to note that fingerprints and other marks can leave a permanent stain on plated finishes. **To avoid this, give the face a quick wipe with denatured alcohol on a soft cloth BEFORE lighting the fireplace.** Never clean the door when it is hot. Do not use other cleaners as they may leave a residue, which can become permanently etched into the surface.

## **FIRE EXTINGUISHER AND SMOKE DETECTION:**

All homes with a solid fuel burning stove should have at least one fire extinguisher in a central location known to all in the household and a smoke detection device in the room containing the stove. If it sounds the alarm, correct the cause but do not deactivate. You may choose to relocate the smoke detection device within the room; **DO NOT REMOVE THE SMOKE DETECTOR FROM THE ROOM.**

## **CREOSOTE - ITS FORMATION AND REMOVAL:**

When wood is burned slowly, it may produce tar and other vapors that, combined with moisture, form creosote. These vapors condense in the relatively cooler chimney flue of a slow burning fire and, if ignited, make an extremely hot fire. Therefore, the smoke pipe and chimney should be inspected bi-weekly during the heating season to determine if a build-up has occurred. If creosote has accumulated it should be removed to reduce the risk of a chimney fire.

## **MAINTENANCE:**

At the end of each heating season clean the chimney and the smoke pipe. If soot has accumulated above the top baffle bricks, remove, clean, and then replace them. If the secondary air tube is badly eroded, replace it. Replace worn door gaskets and broken bricks as needed.

# Operating Instructions

---

**FAILURE TO INSPECT AND CLEAN YOUR CHIMNEY SYSTEM REGULARLY CAN RESULT IN A CHIMNEY FIRE, WHICH COULD DAMAGE THE CHIMNEY OR CAUSE A HOUSE FIRE.**

## **CHIMNEY OR RUN AWAY FIRE:**

1. Call local fire department (or dial 911)
2. Close the draft fully
3. Examine the flue pipes, chimney, attic, and roof of the house, to see if any part has become hot enough to catch fire. If necessary, spray with fire extinguisher or water from the garden hose.
4. Do not operate the stove again until you are certain the chimney and its lining have not been damaged.

## **BUILDING YOUR FIRE:**

---

Proper operation of your stove will help to ensure safe, efficient heating. Please take a few moments to review these simple operating procedures.

**IMPORTANT:** Please be aware when loading your stove that the air tubes in the rear are lower.

### **1. Fuel Selection:**

This stove is designed to burn natural wood only. Higher efficiencies and lower emissions generally result when burning air-dried seasoned hardwoods, as compared to softwoods or to green or freshly cut hardwoods. **DO NOT BURN** the following: treated wood, coal, garbage, solvents, colored papers, or trash. Burning these may result in the release of toxic fumes and may poison or render the catalytic ineffective. Burning coal, cardboard, or loose paper can produce soot, or large flakes of char or fly ash that can coat the combustor, causing smoke spillage into the room, and rendering the combustor ineffective.

### **2. Building/Maintaining a Fire:**

- a) Open the primary air slide by pulling it all the way to the right.
- b) Place a base of crumpled uncolored newspaper in the bottom of the stove. Lay pieces of kindling on top of the newspaper and light it.

**CAUTION: Never use gasoline, gasoline-type lantern fuel, kerosene, charcoal lighter fluid, or similar liquids to start or "freshen up" a fire in this heater. Keep all such liquids well away from heater while it is in use.**

- c) As the kindling begins to burn, add several larger pieces of wood until the fire is burning well. At this point, regular size logs may be added.

**CAUTION: Never allow the fire to rest directly on the glass. Space the logs at least one inch off the glass to allow for proper air flow.**

**NOTE:** Until the fire is burning well, leave the air controls fully open.

- d) Regulate the heat output of the stove by adjusting the air controls to allow a larger fire and vice versa. A short period of experimentation with the control settings will allow you to regulate the heat output to keep your home comfortable.

**Do not use a grate or elevate the fire. Build wood fire on the stove firebox hearth floor.**

### **3. Refueling the Stove:**

Use a long pair of gloves (barbecue gloves) when feeding the fire because these stoves burn at the front.

# Operating Instructions

---

They are clean and efficient but they are also very hot and gloves are useful. Keep a small steel shovel and whisk nearby for moving a log or lifting a fallen ember and for keeping the hearth clean.

- a) Before attempting to add fuel to the stove, OPEN the damper control fully by pulling it all the way out. This allows the chimney to carry away the additional smoke, which occurs when the door is open.
- b) **DO NOT OVERLOAD THE STOVE.** Normally, three or four logs will provide heat for several hours. Never operate this stove where portions glow red hot.
- c) **DO NOT OVERFIRE.** If the heater or chimney connector glows, you are overfiring.
- d) **CAUTION: DO NOT PLACE FUEL WITHIN SPACE HEATER INSTALLATION CLEARANCES OR WITHIN THE SPACE REQUIRED FOR CHARGING AND ASH REMOVAL.**

## 4. For Maximum Efficiency:

When the stove is hot, load it fully to the top of the door opening and burn at medium low settings. When the fuel is mostly consumed, leaving a bed of red coals, repeat the process. Maximum heat for minimum fuel occurs when the stove top temperature is between 250°F (120°C) and 550°F (290°C). The most likely causes of dirty glass are: not enough fuel to get the stove thoroughly hot, burning green or wet wood, closing the draft until there is insufficient air for complete combustion, or a weak chimney draw. Indeed, the cleanness of the glass is a good indicator of the stove operating efficiently.

## Helpful Hints Worth Repeating

### 1. Helpful advice on the correct way to start your fire.

- a) You will need small pieces of dry wood, called kindling, and paper. Use only newspaper or paper that has not been coated or had other materials glued or applied to it. Never use coated (typically advertising flyers) or coloured paper.
- b) Always open the door of the wood stove slowly to prevent suction and drawing smoke into the room.
- c) Crumple several pieces of paper and place them in the center of the firebox and directly onto the firebricks of the wood stove. Never use a grate to elevate the fire.
- d) Place small pieces of dry wood (kindling) over the paper in a "teepee" manner. This allows for good air circulation, which is critical for good combustion.
- e) Light the crumpled paper in 2 or 3 locations. Note: It is important to heat the air in the stovepipe for draft to start.
- f) Fully open the air controls of the wood stove and close the door until it is slightly open, allowing for much needed air to be introduced into the firebox. Never leave the door fully open, as sparks from the kindling may fly out of the stove, causing damage or injury. As the fire begins to burn the kindling, some additional kindling may be needed to sustain the fire. DO NOT add more paper after the fire has started.
- g) Once the kindling has started to burn, add some smaller pieces of seasoned, dry firewood. Note: Adding large pieces at the early stages will only serve to smother the fire. Continue adding small pieces of seasoned dry firewood, keeping the door slightly open until each piece starts to ignite. Remember to always open the door slowly between placing wood into the fire.
- h) Once the wood has started to ignite and the smoke has reduced, close the wood stove door fully. The reduction of smoke is a good indication that the draft in the chimney has started and good combustion is now possible. Larger pieces of seasoned, dry firewood can now be added when there is sufficient space in the firebox. Adjust the air control setting to desired setting. Note: The lower the air control setting, the longer the burn time of your firewood.

# Operating Instructions

---

## 2. What type of wood is best to use as firewood?

Both hardwood and softwood burn well in this stove. Both woods contain about 8,000 BTU/lb (18,570 KJ/Kg), but hardwood is generally more dense, will weigh more per cord, and burns a little slower and longer. Cutting firewood so that it will fit horizontally, front to back, makes it easier loading and less likely for the fuel to roll on the glass. Except for a cold start, there is no need to crisis-cross the logs. Ideal length for the logs used in the 1200 would be about 16" (381 mm) but it can burn pieces up to 18" long. Ideal length for the logs used in the 1700 would be about 18" (381 mm) but it can burn pieces up to 20" long logs. Burn only dry, seasoned wood. It produces more heat and less soot or creosote. Freshly cut wood has about 50% moisture. A 10 pound (4.5 Kg) log contains 5 pounds (2.3 Kg) of water. To season firewood, split and stack it so that air can get to all parts of the wood. Burn beach wood only if its salt content has been washed away in a season of rain and then the wood dried. To prevent smoke spillage when refueling, open the door slowly.

## 3. What does dry, seasoned wood mean?

Wood that has been dried for a period of one year in a well-ventilated and sheltered area would be considered dry, seasoned wood. Wood from slow-growing trees is generally considered better than wood from fast-growing trees. To season firewood, split and stack it so that air can get to all parts of the wood.

## 4. Will following the above-listed steps for starting a fire mean perfect results every time?

The quick answer is 'most of the time'. There are many variables that may affect your success when starting a fire. Most of those variables and how to deal with them will be learned through experience. Your ability to start a good fire will significantly increase with time and patience. Some of the reasons for poor stove performance will be covered in the next section of these instructions.

## 5. Why can't I get the fire lit?

Damp or wet wood and poor drafts are the main reasons for poor results in starting a fire. Always use dry, seasoned wood for your fire. Even wood dried for two years will be difficult to ignite if it has become wet.

## 6. Is it normal for soot to cover the glass at the beginning of a fire?

Your stove has been built with an air-wash system that will help keep the glass clear when the firebox has reached a good operating temperature and has a good draft. Normally a hot stove will keep the glass clean, but if you must clean the glass, use a soft cloth with no abrasive and clean only when cold. Cold firebox temperature and poor draft cause sooting of the glass. Once the firebox temperature and the draft increase, the soot will burn off. **Do not use abrasive cleaners on glass.**

## 7. What is draft?

Draft is the ability of the chimney to exhaust or draw smoke produced during the normal combustion process. Too much draft may cause excessive temperatures in the appliance and may damage the appliance. Inadequate draft may cause backpuffing or "plugging" of the chimney. There is a certain amount of draft that is required to allow for your stove to function at its' highest efficiency. A water column gauge can be used to reference this amount.

# Operating Instructions

## 8. What can cause a poor draft?

The most common factors for poor draft are:

- a) Air supply
  - b) Environmental conditions
  - c) Cold chimney temperature
  - d) Poor chimney installation and maintenance
  - e) Atmospheric pressure
- a) Air supply – Inside the home, normal household appliances such as clothes dryers and forced-air furnaces compete for air, resulting in air starvation to the fire. This creates a condition in the house known as negative pressure. When a house experiences negative pressure, the combustion gases can be drawn from the chimney and into the house. This condition is commonly referred to as down-drafting. Increased amounts of insulation, vinyl windows, extra caulking in various places and door seals can all keep heat in but may also make a home too airtight. An easy way to stop negative pressure in a home is to crack a window in the room containing the stove.
  - b) Environmental Conditions - High trees, low-lying house location such as in a valley, tall buildings or structures surrounding your house and windy conditions can cause poor draft or down-drafting.
  - c) Cold Chimney Temperature - Avoid cold chimney temperatures by burning a hot fire for the first fifteen to forty minutes, being careful not to over-fire the stove. If any part of the chimney or parts of the stove start to glow, you are over-firing the stove. Where possible, install a temperature gauge on the chimney so temperature drops can be seen.
  - d) Chimney Installation and Maintenance - Avoid using too many elbows or long horizontal runs. Too short a chimney can cause difficult start-up, dirty glass, back smoking when door is open, and even reduced heat output. Too tall a chimney may prompt excessive draft, which can result in very short burn times and excessive heat output. If in doubt, contact a chimney expert and/or chimney manufacturer for help. Clean chimney, rain caps and especially the spark arrestor regularly, to prevent creosote build-up, which will significantly reduce chimney draw and possibly a chimney fire.

**Note:** These instructions are intended as an aid and do not supercede any local, provincial or state requirements. Check with officials or authorities having jurisdiction in your area.

## AIR CONTROL:

The air wash and pilot air (control the amount of air to the fire) are controlled by the rod located on the right side of the unit. To increase your air, pull the rod out and to decrease, push the rod in. All the units have a secondary air that flows through the tubes at the top of the firebox, just below the baffles.

Pull this control all the way out when first starting the stove. Once the fire has been established you may adjust this control to set the burn rate of the fire. If this damper is closed at first start-up, the fire will burn very slowly and could soot the appliance.

When shutting down the stove, fully open the air control. This allows the chimney temperatures to remain as high as possible for as long as possible. Cold chimney temperatures create creosote.

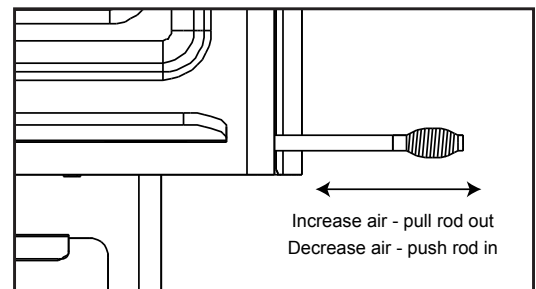


Figure 3: Air Control Rod.

# Operating Instructions

## How It Works:

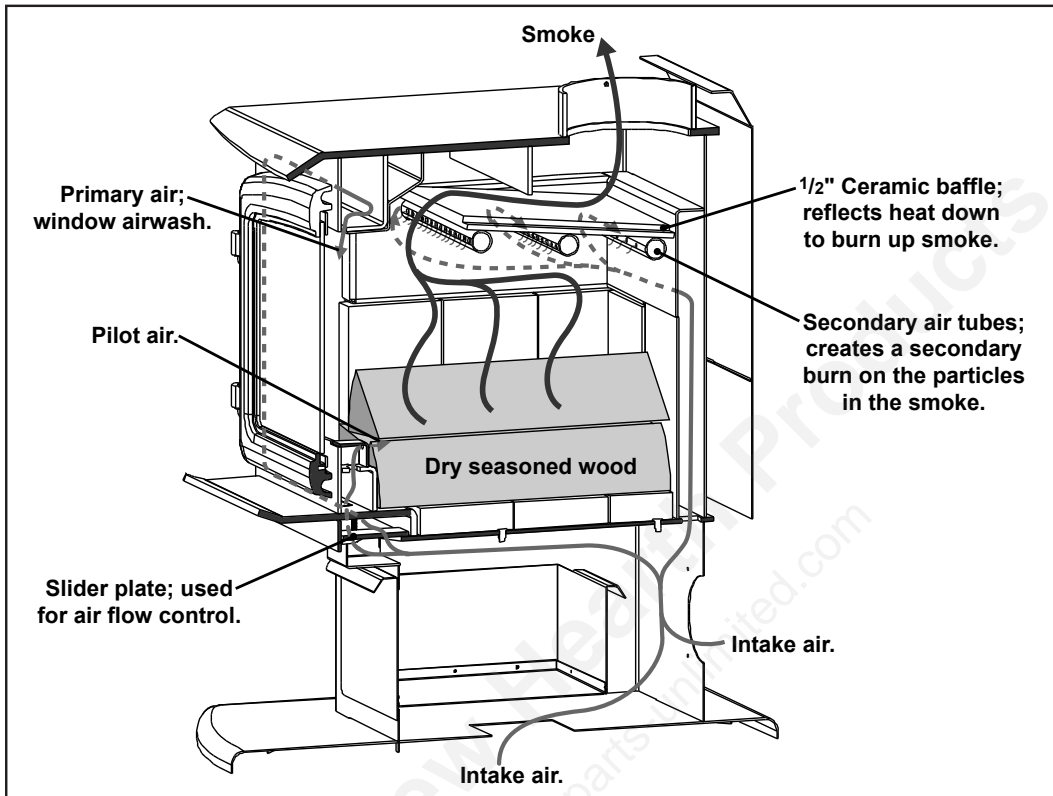


Figure 4: 1200 Air Flow Path.

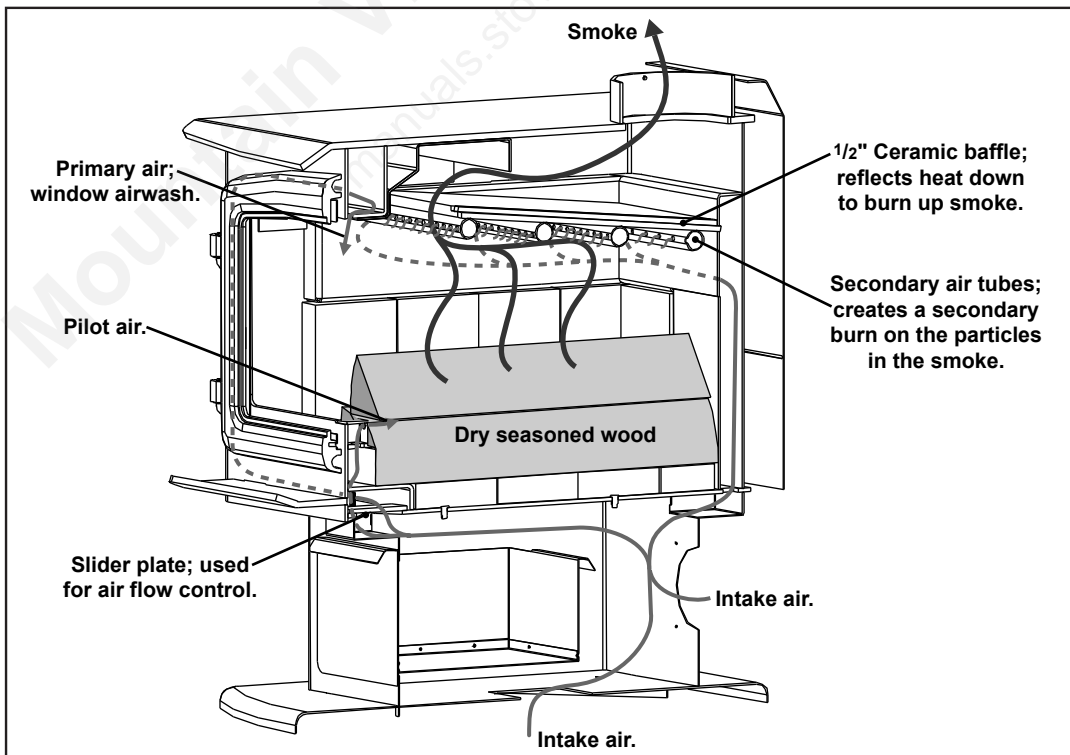


Figure 5: 1700 Air Flow Path.

# Specifications

## 1200 SPECIFICATIONS:

**Table 1: 1200 General Information.**

Model	1200 Freestanding		1200 Insert
	Flat Top	Step Top	
Width x Depth	25" x 22 7/16" (635 mm x 570 mm)		27 3/4" x 21 1/2" (705 mm x 546 mm)
Height with pedestal or legs	28 1/4" (718mm)	31 1/4" (794 mm)	
Height of body	18 1/4" (464 mm)	21 1/4" (540 mm)	19 1/16" (484 mm) or 19 9/16" (497 mm)
Fire box size (depth x width x height)	16.1" x 18.25" x 11.15" (409 mm x 464 mm x 283 mm)		
Capacity	1.85 feet <sup>3</sup> (0.0526 meter <sup>3</sup> )		
* Approximate heating area	2200 feet <sup>2</sup> (205 meter <sup>2</sup> )		
**E.P.A. output rating	11,479 to 34,196 BTU/hour (3,361 to 10,013 watt)		
*Duration on low burn	6 -10 hours		
Weight with packaging	335 lb (151.95 Kg)	375 lb (170.10 Kg)	335 lb (151.95 Kg)
E.P.A. Emissions	3.3 grams/hour (0.116 oz/hour)		
Surround Panels			
Standard (width x height)			46 1/8" x 28" (1171 mm x 711 mm)
Oversized (width x height)			46 1/8" x 33 1/8" (1171 mm x 843 mm)
Rating Label Location	Back of Unit		Side of Unit; Behind Right Shroud

# Specifications

## 1700 SPECIFICATIONS:

**Table 2: 1700 General Information.**

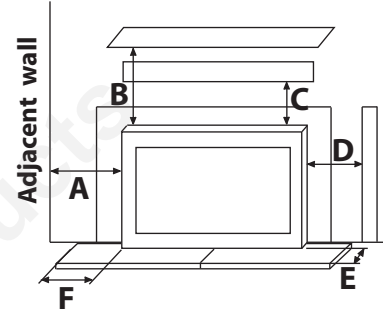
Model	1700 Freestanding		1700 Insert
	Flat Top	Step Top	
Width x Depth	25" x 26 <sup>15</sup> / <sub>16</sub> " (635 mm x 684 mm)		27 <sup>3</sup> / <sub>4</sub> " x 26" (705 mm x 660 mm)
Height with pedestal or legs	28 <sup>1</sup> / <sub>4</sub> " (718mm)	31 <sup>1</sup> / <sub>4</sub> " (794 mm)	
Height of body	18 <sup>1</sup> / <sub>4</sub> " (464 mm)	21 <sup>1</sup> / <sub>4</sub> " (540 mm)	
Fire box size (depth x width x height)	20.65" x 18.25" x 11.95" (525 mm x 464 mm x 304 mm)		
Capacity	2.5 feet <sup>3</sup> (0.0708 meter <sup>3</sup> )		
* Approximate heating area	3000 feet <sup>2</sup> (280 meter <sup>2</sup> )		
**E.P.A. output rating	9,425 to 31,780 BTU/hour (2,760 to 9,306 watt)		
*Duration on low burn	8 - 12 hours		
Weight with packaging	390 lb (176.90 Kg)	420 lb (190.51 Kg)	390 lb (176.90 Kg)
E.P.A. Emissions	4.48 grams/hour (0.158 oz/hour)		
Surround Panels			
Standard (width x height)			46 <sup>1</sup> / <sub>8</sub> " x 28" (1171 mm x 711 mm)
Oversized (width x height)			46 <sup>1</sup> / <sub>8</sub> " x 33 <sup>1</sup> / <sub>8</sub> " (1171 mm x 843 mm)
Rating Label Location	Back of Unit		Side of Unit; Behind Right Shroud

# Specifications

## CLEARANCES TO COMBUSTIBLES - 1200 INSERT:

**Table 3: 1200 Insert Clearance to Combustibles.**

A	Minimum clearance to an unshielded side wall	10" (254 mm)
B	Minimum clearance to an unshielded 8" (203 mm) mantel	21" (533 mm)
C	Minimum top facing (protruding ¾" [19 mm]) clearance	17½" (445 mm)
D	Minimum side facing (protruding ¾" [19 mm]) clearance	1" (25 mm)
E	† From front of door opening to edge of floor protection	USA 16" (406 mm) CND 18" (450 mm)
F	† From side/back of unit to edge of floor protection	USA 6" (152 mm) CND 8" (200 mm)



### † FLOOR PROTECTION:

If unit is raised 0" - 2" (0mm-51mm); 1" (25mm) non-combustible material with k value = 0.84 or equivalent.  
 If unit is raised 2" - 8" (51mm-203mm); ½" (13mm) non-combustible material with k value = 0.84 or equivalent.  
 If unit is raised greater than 8" (203 mm) or more; any non-combustible material can be used.

**Table 4: Reduction in (B) Minimum Clearance from 1200 to 8" (203 mm) Mantel.**

Type of protection	Modified Clearance
A minimum of .013" (0.33mm) sheet metal spaced out 1" (25mm) by non-combustible spacers.	10½" (267 mm)
Ceramic tiles, or equivalent non-combustible material on non-combustible supports and spaced out 1" (25mm) by non-combustible spacers.	14" (357 mm)
Ceramic tiles, or equivalent non-combustible material on non-combustible supports with a minimum of .013" (0.33mm) sheet metal spaced out 1" (25mm) by non-combustible spacers.	10½" (267 mm)

### NOTES:

- (1) Mantel protection must have at least 3" (75mm) edge clearance on all sides, except as provided in Note 4.
- (2) If an adhesive is used to support non-combustible material, it shall not lose adhesive qualities at temperatures likely to be encountered and shall not contribute a significant combustible load.
- (3) Heat shield mounting hardware attached to combustible materials must be placed at the lateral extremities of the shield.
- (4) Minimum clearance to unprotected walls and ceilings must be maintained.

**Table 5: 1200 Insert Minimum Fireplace Size.**

	Masonry	Zero Clearance
Minimum Depth	13½" (343 mm)	14" (279 mm)
Minimum Width at back of fireplace	22¾" (568 mm)	23" (584 mm)
Minimum Width at front of fireplace	27" (686 mm)	27¼" (692 mm)
Minimum Width at front of fireplace to include shroud	33¾" (857 mm)	34" (864 mm)
Minimum Height	19¼" (489 mm)** or 19¾" (502 mm)	20" (508 mm)

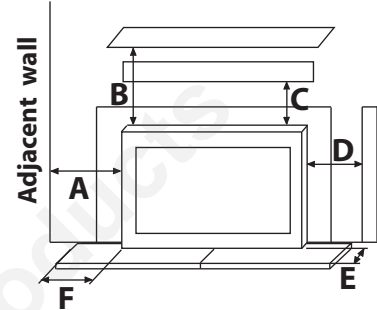
\*\* If the masonry lintel height is only 19¼" (489 mm) to 19¾" (502 mm) refer to INSTALLATION - MODIFICATIONS FOR INSTALLATION WITH 19¼" (489 mm) HIGH LINTEL - INSERT

# Specifications

## CLEARANCES TO COMBUSTIBLES - 1700 INSERT:

**Table 6: 1700 Insert Clearance to Combustibles.**

A	Minimum clearance to an unshielded side wall	10" (254 mm)
B	Minimum clearance to an unshielded 8" (203 mm) mantel	24" (610 mm)
C	Minimum top facing (protruding ¾" [19 mm]) clearance	19½" (495 mm)
D	Minimum side facing (protruding ¾" [19 mm]) clearance	1" (25 mm)
E	† From front of door opening to edge of floor protection	USA 16" (406 mm) CND 18" (450 mm)
F	† From side/back of unit to edge of floor protection	USA 6" (152 mm) CND 8" (200 mm)



### † FLOOR PROTECTION:

If unit is raised 0" - 2" (0mm-51mm); 1" (25mm) non-combustible material with k value = 0.84 or equivalent.

If unit is raised 2" - 8" (51mm-203mm); ½" (13mm) non-combustible material with k value = 0.84 or equivalent.

If unit is raised greater than 8" (203 mm) or more; any non-combustible material can be used.

**Table 7: Reduction in (B) Minimum Clearance from 1700 to 8" (203 mm) Mantel.**

Type of protection	Modified Clearance
A minimum of .013" (0.33mm) sheet metal spaced out 1" (25mm) by non-combustible spacers.	12" (305 mm)
Ceramic tiles, or equivalent non-combustible material on non-combustible supports and spaced out 1" (25mm) by non-combustible spacers.	16⅛" (408 mm)
Ceramic tiles, or equivalent non-combustible material on non-combustible supports with a minimum of .013" (0.33mm) sheet metal spaced out 1" (25mm) by non-combustible spacers.	12" (305 mm)

### NOTES:

(1) Mantel protection must have at least 3" (75mm) edge clearance on all sides, except as provided in Note 4.

(2) If an adhesive is used to support non-combustible material, it shall not lose adhesive qualities at temperatures likely to be encountered and shall not contribute a significant combustible load.

(3) Heat shield mounting hardware attached to combustible materials must be placed at the lateral extremities of the shield.

(4) Minimum clearance to unprotected walls and ceilings must be maintained.

**Table 8: 1700 Insert Minimum Fireplace Size.**

	Masonry	Zero Clearance
Minimum Depth	18" (457 mm)	18½" (470 mm)
Minimum Width at back of fireplace	22⅜" (568 mm)	23" (584 mm)
Minimum Width at front of fireplace	27" (686 mm)	27¼" (692 mm)
Minimum Width at front of fireplace to include shroud	33¾" (857 mm)	34" (864 mm)
Minimum Height	19¼" (489 mm)** or 19¾" (502 mm)	20" (508 mm)

\*\* If the masonry lintel height is only 19¼" (489 mm) to 19¾" (502 mm) refer to INSTALLATION - MODIFICATIONS FOR INSTALLATION WITH 19¼" (489 mm) HIGH LINTEL - INSERT

# Specifications

## CLEARANCES TO COMBUSTIBLES - 1200 FREESTANDING:

### MAINTAIN THESE MINIMUM CLEARANCES TO UNSHIELDED COMBUSTIBLES\*

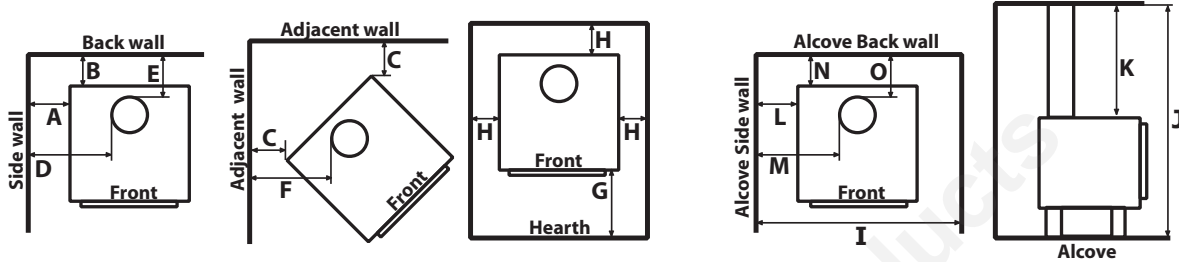


Table 9: 1200 Freestanding Clearance to Combustibles.

		Single Wall Pipe	Double Wall Pipe**	Double Wall Pipe with Heat Efficiency Shield 50-1088 (Flat top model only)	Top vent out back wall with min. 24" (610 mm) vertical rise; double wall
A	From side wall to side of unit	13" (330 mm)	13" (330 mm)	13" (330 mm)	14" (356 mm)
B	From rear wall to back of unit	11" (279 mm)	10" (254 mm)	8" (203 mm)	12" (305 mm)
C	From adjacent wall to corner of unit	9" (229 mm)	8" (203 mm)	6½" (165 mm)	
D	From side wall to collar	22" (559 mm)	22" (559 mm)	22" (559 mm)	23" (584 mm)
E	From rear wall to collar	14" (356 mm)	13" (330 mm)	11" (279 mm)	15" (381 mm)
F	From adjacent wall to collar	17½" (445 mm)	16½" (419 mm)	15" (368 mm)	
G	† From door opening to edge of hearth pad	USA 16" (406 mm) CND 18" (450 mm)	USA 16" (406 mm) CND 18" (450 mm)	USA 16" (406 mm) CND 18" (450 mm)	USA 16" (406 mm) CND 18" (450 mm)
H	† From side/back of unit to edge of hearth pad	USA 6" (152 mm) CND 8" (200 mm)	USA 6" (152 mm) CND 8" (200 mm)	USA 6" (152 mm) CND 8" (200 mm)	USA 6" (152 mm) CND 8" (200 mm)
Alcove (48" [1220 mm] Deep)					
I	Total Width		55" (1397 mm)		
J	Total Height		78" (1981 mm)		
K	Top of stove to ceiling		49" (1245 mm)		
L	Side wall to stove		15" (381 mm)		
M	Side wall to pipe		24" (610 mm)		
N	Back wall to unit		12" (305 mm)		
O	Back wall to pipe		15" (381 mm)		

**CAUTION:** An uninsulated smoke pipe must not pass through an attic, roof space, closet or similar concealed space, or through a floor, ceiling, wall, or partition, or any combustible construction.

† **FLOOR PROTECTION:** If a stove is installed on a combustible floor, it must have a pedestal or leg kit with ash pan attached and be on a NON-COMBUSTIBLE hearth pad

\* ALL CLEARANCES CAN BE REDUCED WITH SHIELDING ACCEPTABLE TO THE LOCAL AUTHORITY.

\*\*DOUBLE WALL:

IN CANADA: Any ULC-S629 listed chimney system with the accompanying listed double wall vent connector.

IN U.S.A.: Any UL 103 HT listed chimney system with the accompanying listed double wall vent connector.

# Specifications

## CLEARANCES TO COMBUSTIBLES - 1700 FREESTANDING:

### MAINTAIN THESE MINIMUM CLEARANCES TO UNSHIELDED COMBUSTIBLES\*

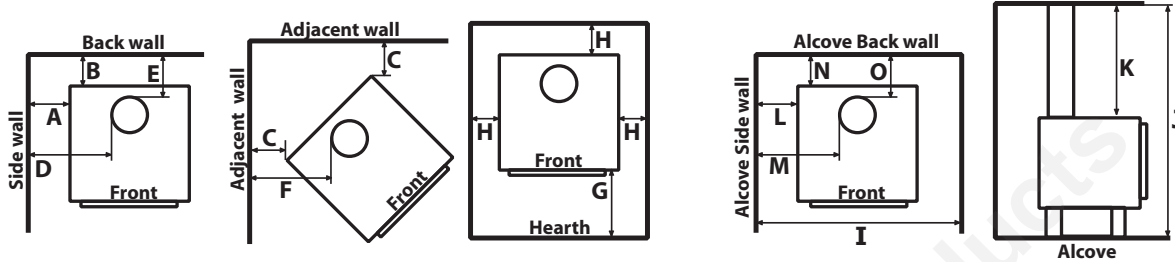


Table 10: 1700 Freestanding Clearance to Combustibles.

		Single Wall Pipe	Double Wall Pipe**	Double Wall Pipe with Heat Efficiency Shield 50-1088 (Flat top model only)	Top vent out back wall with min. 24" (610 mm) vertical rise; double wall
A	From side wall to side of unit	20" (508 mm)	13" (330 mm)	13" (330 mm)	11" (279 mm)
B	From rear wall to back of unit	12" (305 mm)	10" (254 mm)	7" (178 mm)	13" (330 mm)
C	From adjacent wall to corner of unit	10" (254 mm)	8½" (216 mm)	6" (152 mm)	
D	From side wall to collar	29" (737 mm)	22" (559 mm)	22" (559 mm)	20" (508 mm)
E	From rear wall to collar	15" (381 mm)	13" (330 mm)	10" (254 mm)	16" (406 mm)
F	From adjacent wall to collar	18½" (470 mm)	17" (432 mm)	14½" (368 mm)	
G	† From door opening to edge of hearth pad	USA 16" (406 mm) CND 18" (450 mm)	USA 16" (406 mm) CND 18" (450 mm)	USA 16" (406 mm) CND 18" (450 mm)	USA 16" (406 mm) CND 18" (450 mm)
H	† From side/back of unit to edge of hearth pad	USA 6" (152 mm) CND 8" (200 mm)	USA 6" (152 mm) CND 8" (200 mm)	USA 6" (152 mm) CND 8" (200 mm)	USA 6" (152 mm) CND 8" (200 mm)
Alcove (48" Deep)					
I	Total Width		51" (1295 mm)		
J	Total Height		72" (1829 mm)		
K	Top of stove to ceiling		44" (1118 mm)		
L	Side wall to stove		13" (330 mm)		
M	Side wall to pipe		22" (559 mm)		
N	Back wall to unit		8" (203 mm)		
O	Back wall to pipe		11" (279 mm)		

**CAUTION:** An uninsulated smoke pipe must not pass through an attic, roof space, closet or similar concealed space, or through a floor, ceiling, wall, or partition, or any combustible construction.

† **FLOOR PROTECTION:** If a stove is installed on a combustible floor, it must have a pedestal or leg kit with ash pan attached and be on a NON-COMBUSTIBLE hearth pad

\* ALL CLEARANCES CAN BE REDUCED WITH SHIELDING ACCEPTABLE TO THE LOCAL AUTHORITY.

\*\*DOUBLE WALL:

IN CANADA: Any ULC-S629 listed chimney system with the accompanying listed double wall vent connector.

IN U.S.A.: Any UL 103 HT listed chimney system with the accompanying listed double wall vent connector.

# Specifications

## DIMENSIONS - 1200 INSERT:

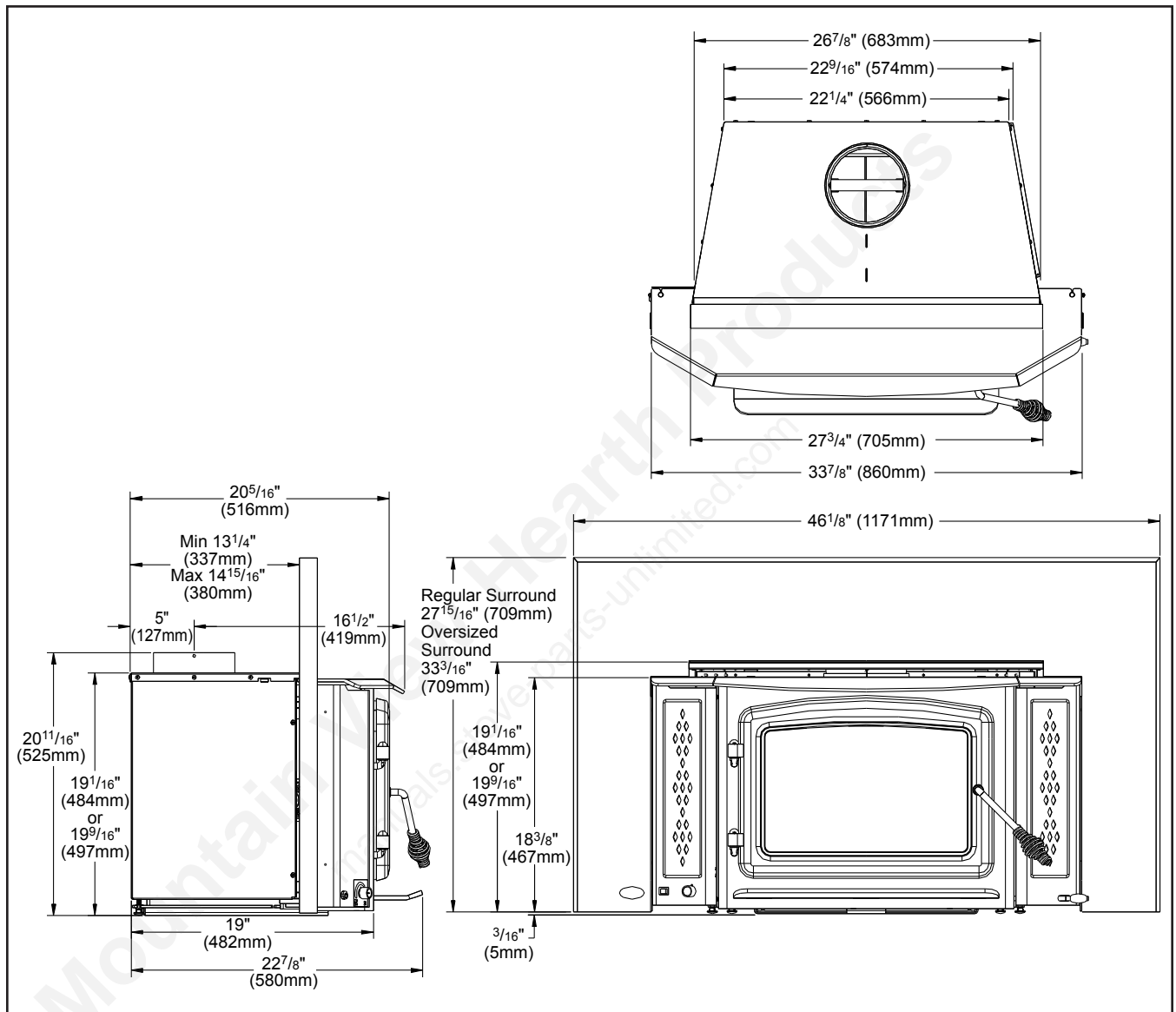


Figure 6: 1200 Insert Dimensions.

# Specifications

## DIMENSIONS - 1700 INSERT:

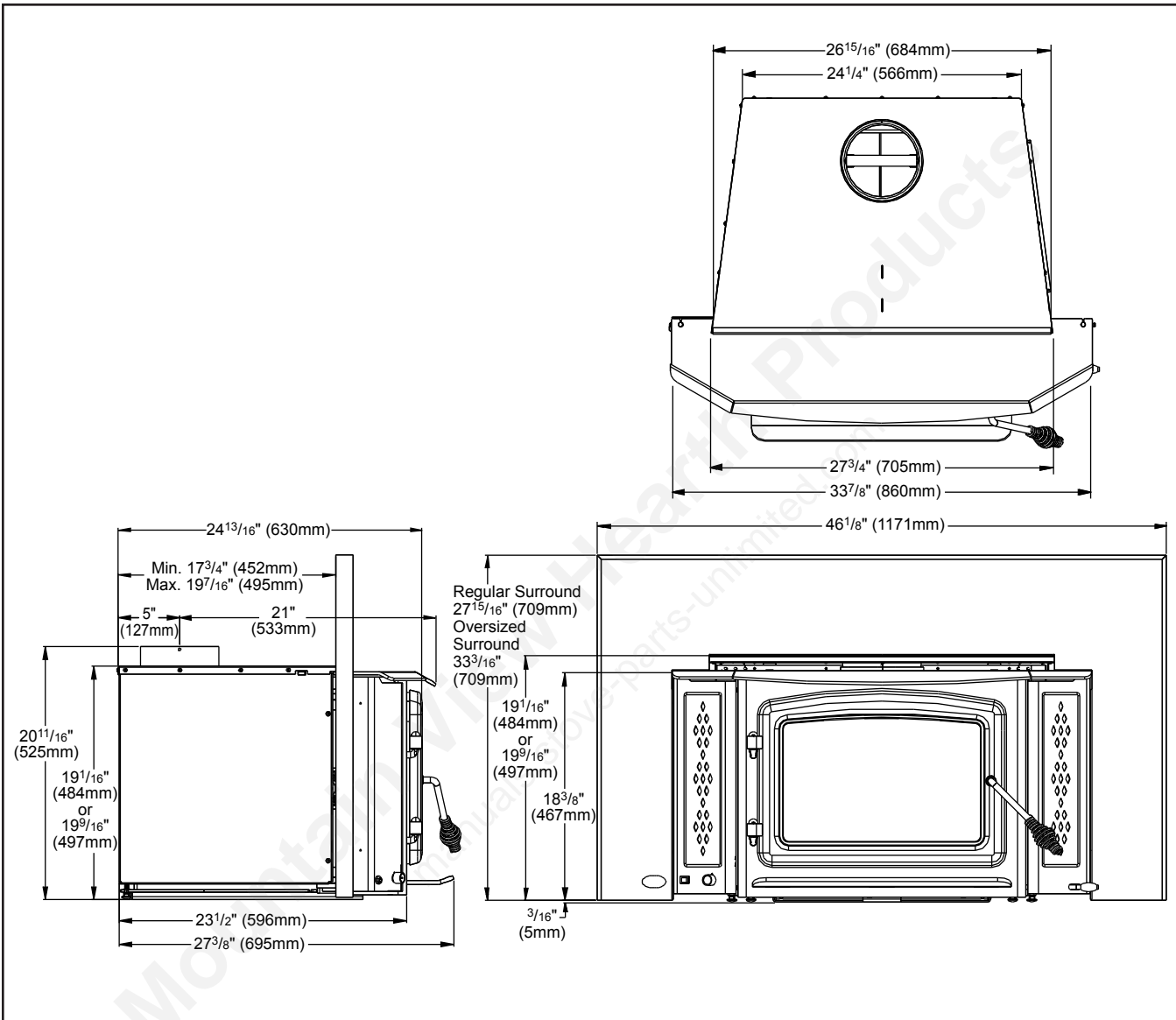


Figure 7: 1700 Insert Dimensions.

# Specifications

## DIMENSIONS - 1200 FREESTANDING:

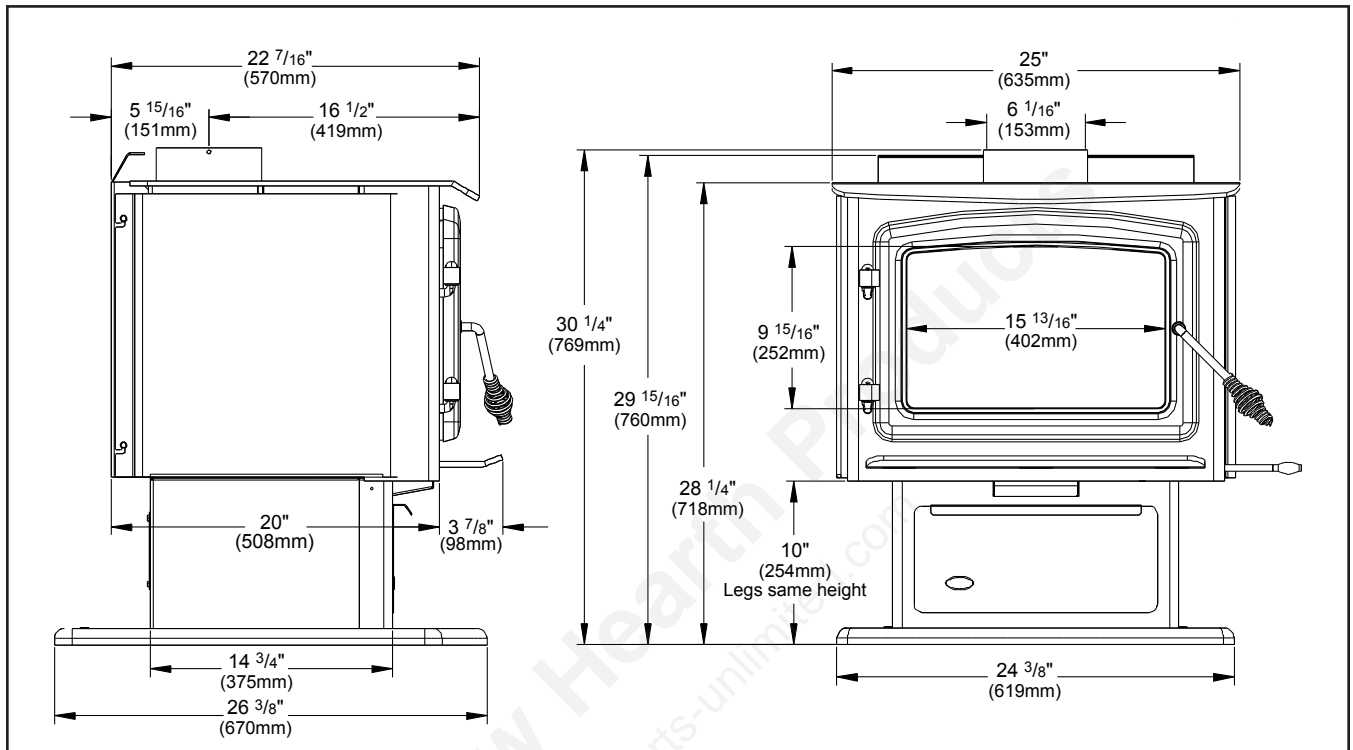


Figure 8: 1200 Freestanding Flat Top Dimensions.

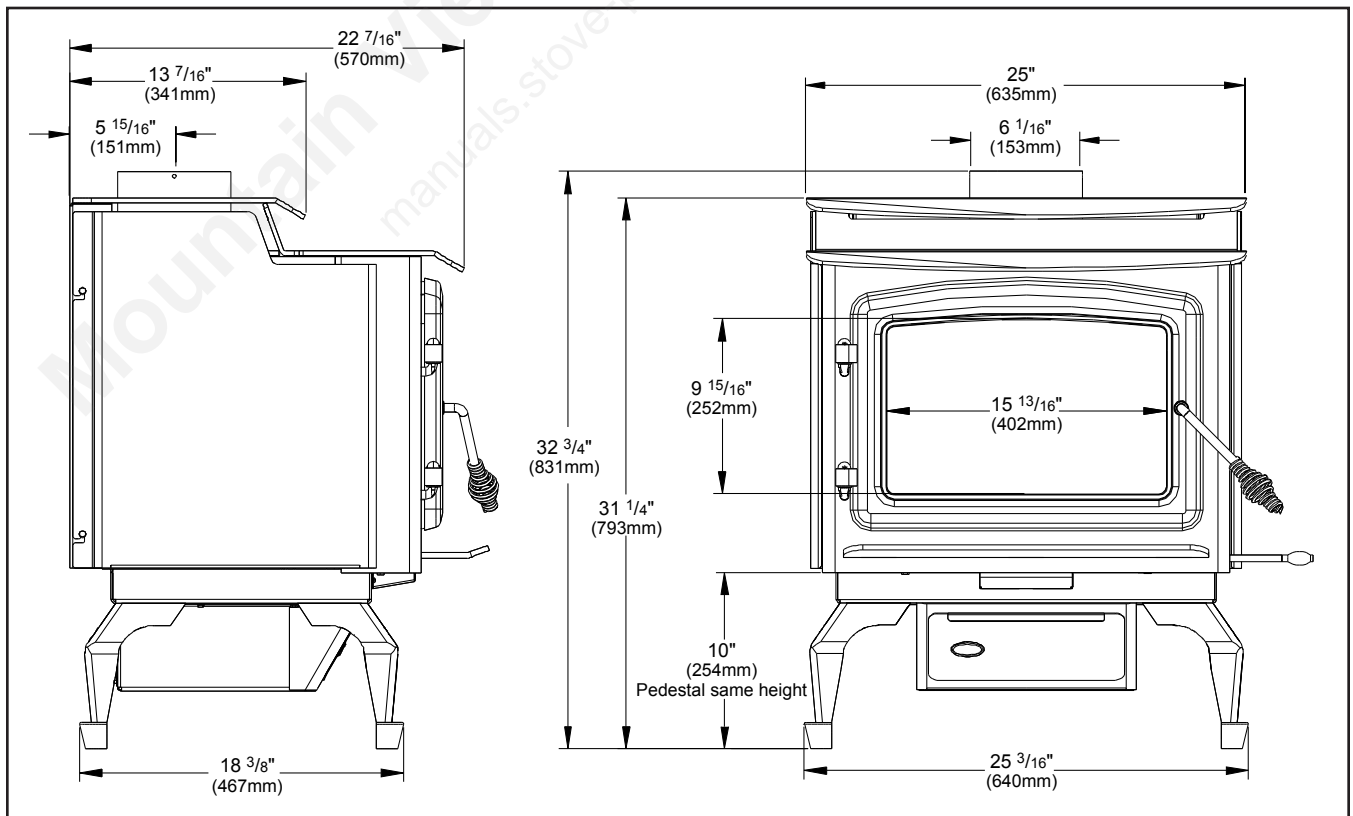


Figure 9: 1200 Freestanding Step Top Dimensions.

# Specifications

## DIMENSIONS - 1700 FREESTANDING:

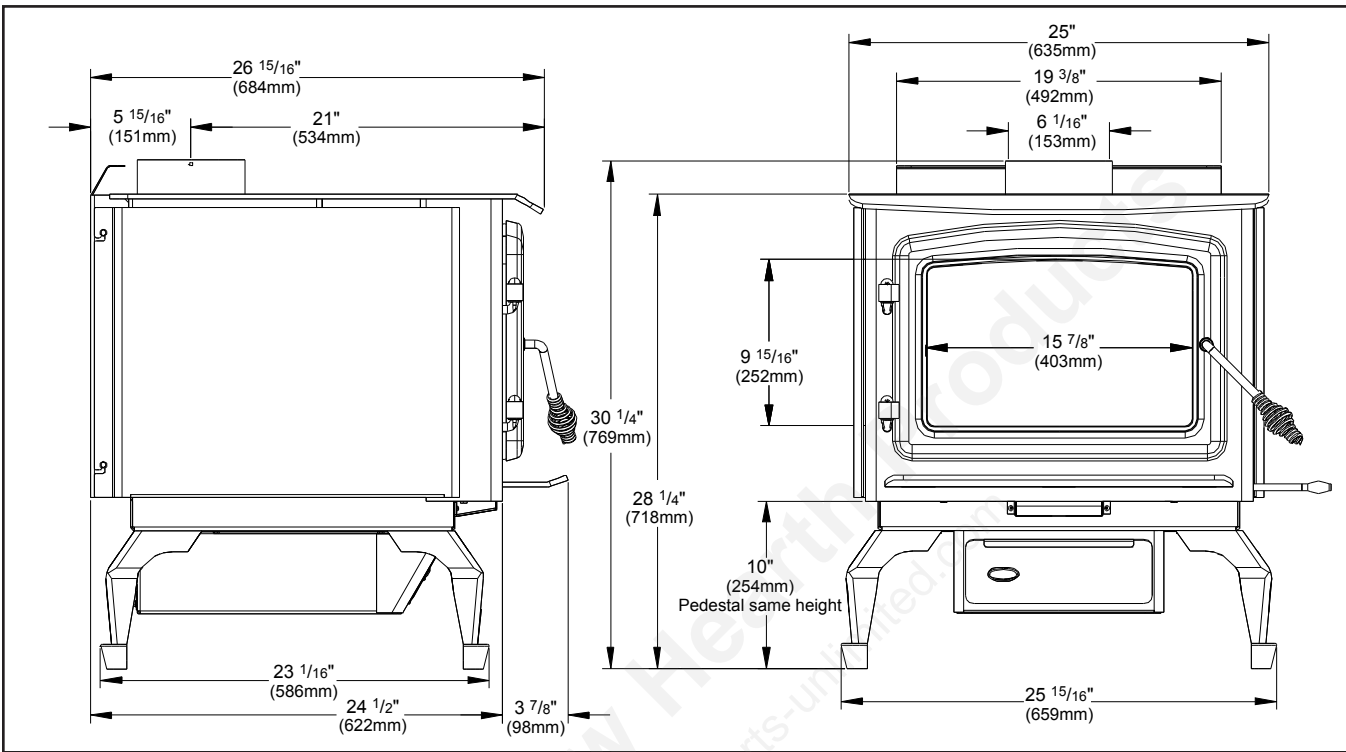


Figure 10: 1700 Freestanding Flat Top Dimensions.

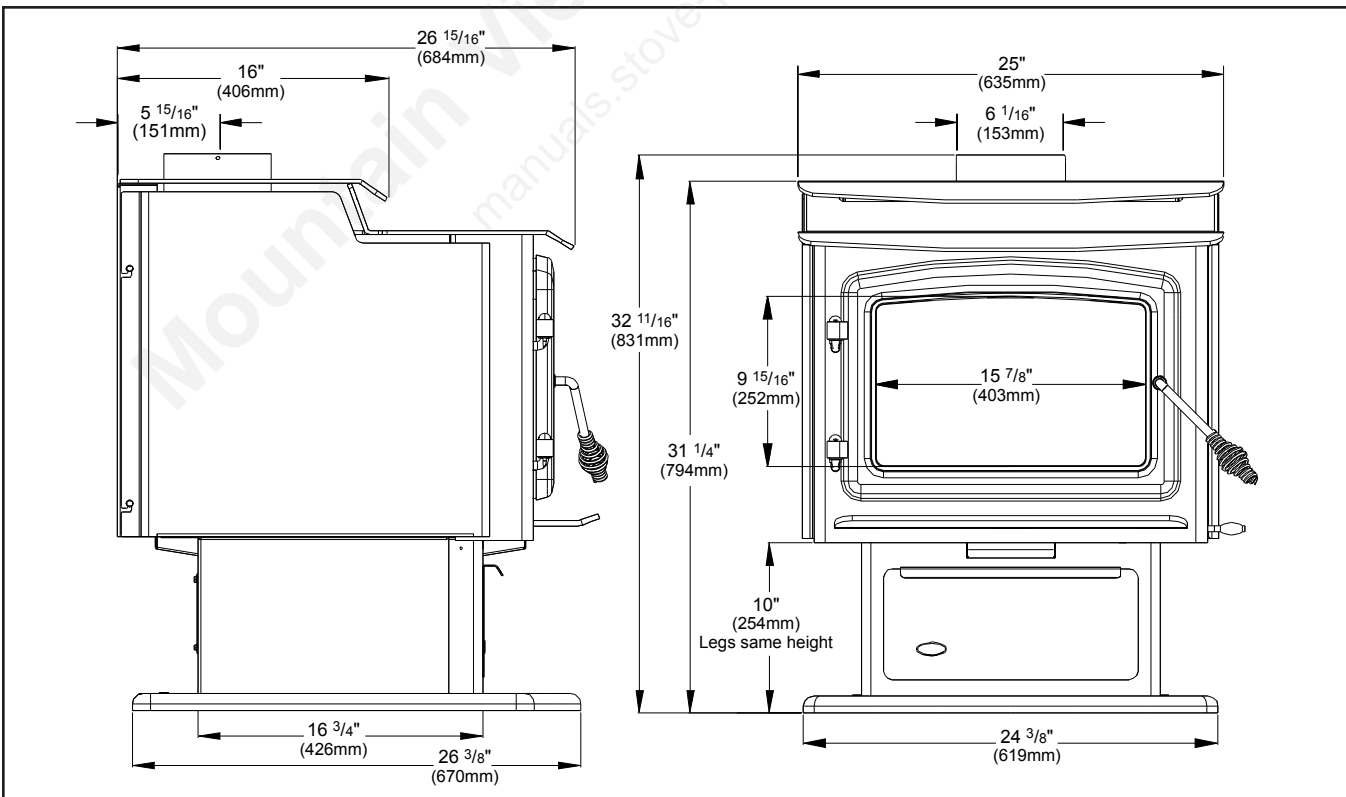


Figure 11: 1700 Freestanding Step Top Dimensions.

# Specifications

## FREESTANDING SIDE DIMENSIONS FOR FAN KIT:

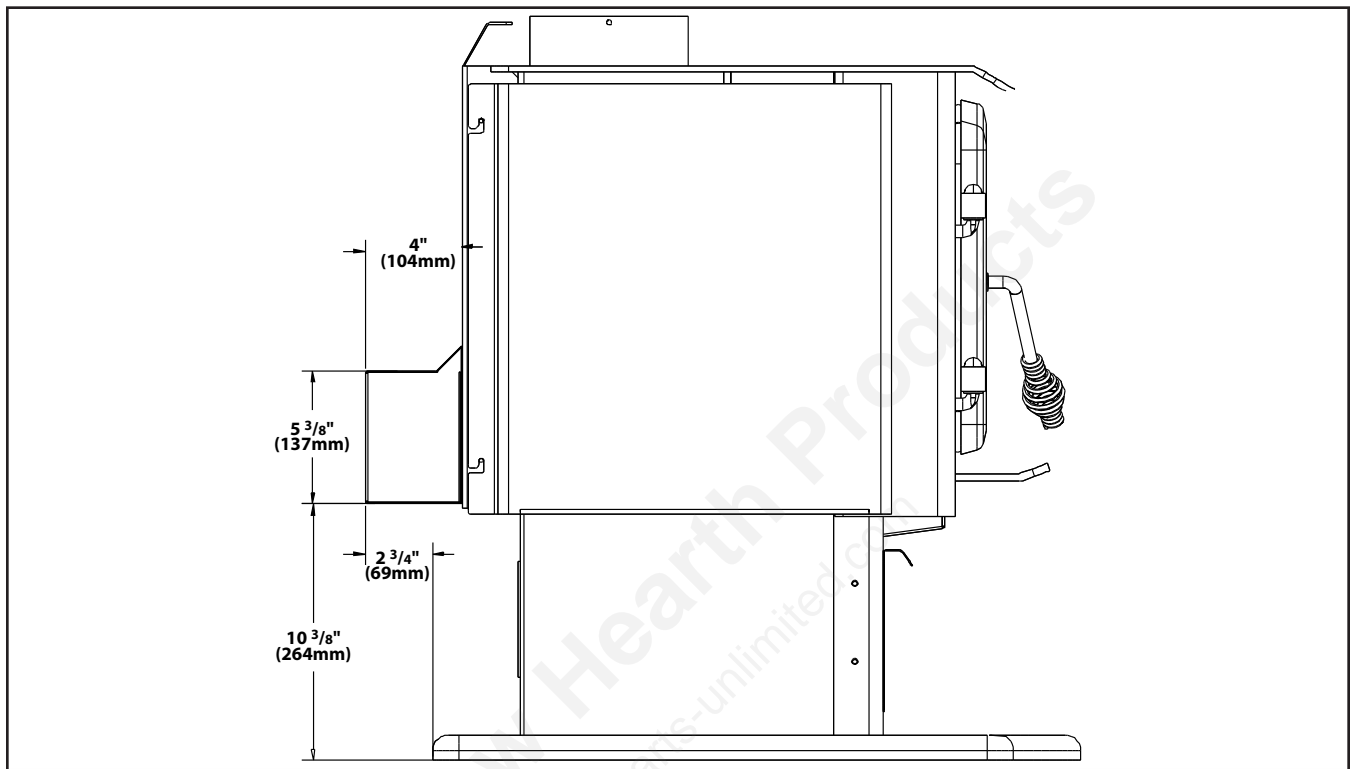


Figure 12: 1200 Freestanding with Fan Kit Dimensions.

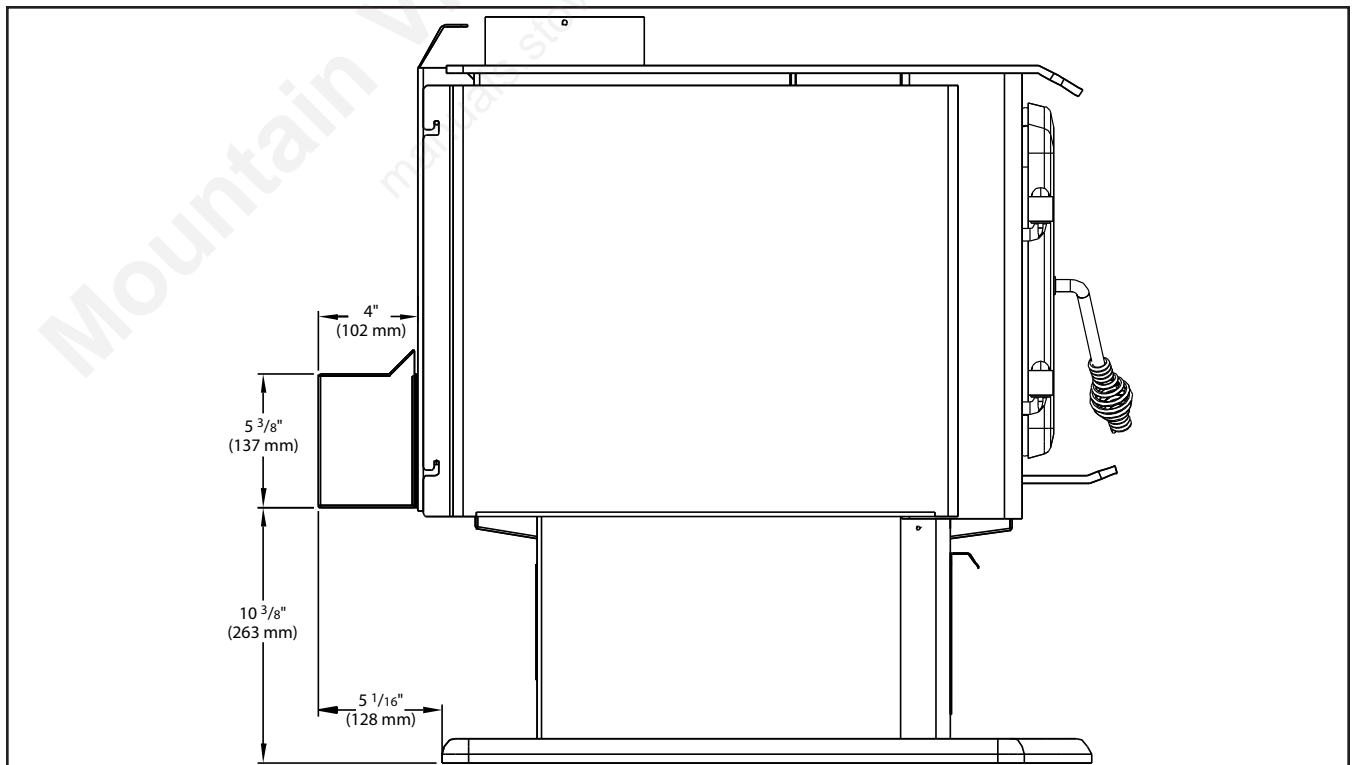


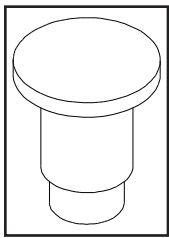
Figure 13: 1700 Freestanding with Fan Kit Dimensions.

# Installation

Please read and understand these instructions before installing pedestal or ash pan and leg option. Failure to follow these instructions carefully could cause personal injury or property damage. All screws are pre-installed on the base of the unit.

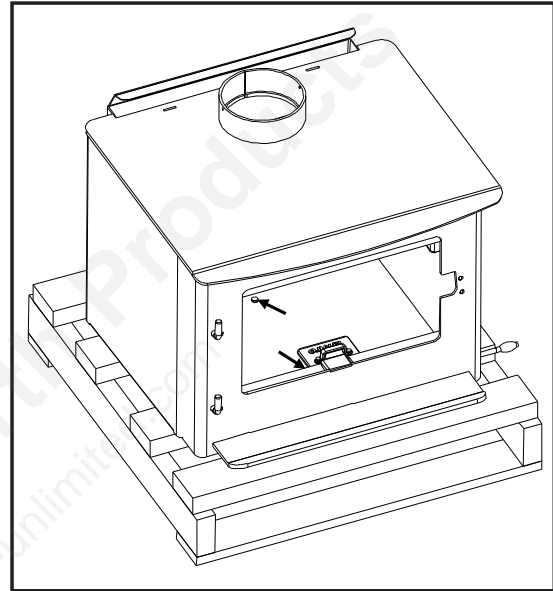
## REMOVAL FROM PALLET:

- Remove the bricks from the unit before starting.
- Remove the two (2) lag bolts (shown in Figure 1) that secure the unit to the pallet from inside the firebox.



**Figure 14:**  
Rivet.

**Note:** After the pedestal or legs and ash pan have been installed but before the bricks are installed, rivets (Figure 2) must be placed in the two (2) holes (shown in Figure 1) in the firebox that lag bolts came out of. This is done to make unit burn more efficiently.

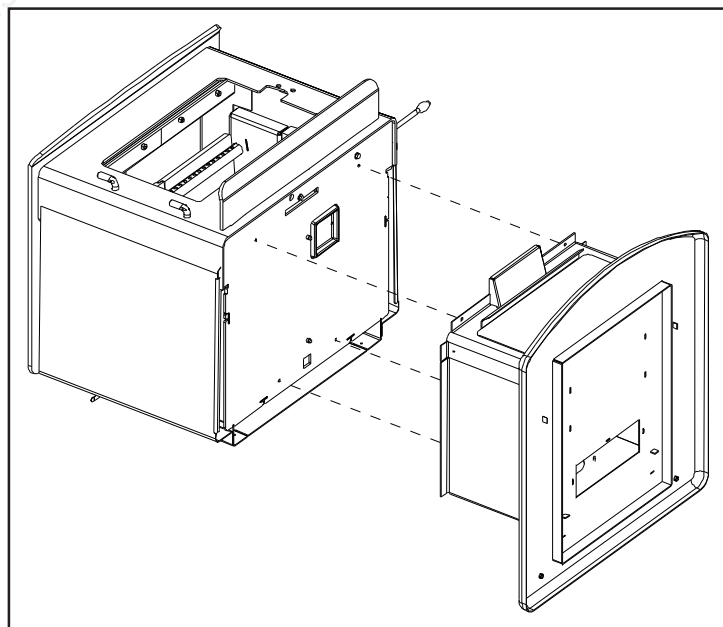


**Figure 15: Bolts to remove.**

## PEDESTAL INSTALLATION - FREESTANDING:

- Place the unit on the pallet on its back.
- Remove the front two (2) provided Pedestal bolts, slide the pedestal assembly over the rear bolts located on the base of the unit, and re-install the front bolts through the Pedestal holes.
- Tighten all four (4) bolts ensuring the pedestal is properly aligned to the edges of the unit.
- Stand the unit on the pedestal and set the unit in the location ready for installation.
- If fresh air supply is being supplied from the bottom of the unit please install the cover plate supplied to the rear of the pedestal covering the 4" (10 cm) hole.

**Note:** In seismically active areas, it is recommend that your unit is secured to the floor by using the bolt down holes at the rear of the pedestal.

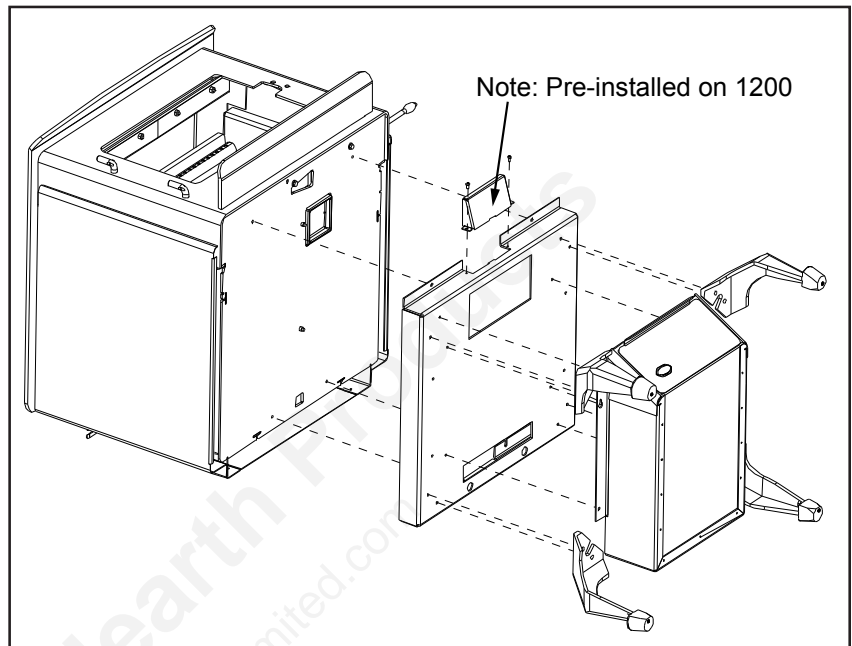


**Figure 16: Installing Pedestal.**

# Installation

## LEGS AND ASH PAN INSTALLATION - FREESTANDING:

- Place the unit on the pallet on its back.
- Attach the Leg Adaptor Plate to the bottom of the unit using the supplied screws
- 1700 Only: Attach the air channel box to the front of the pedestal spacer using two (2) T-20 screws
- Remove the rear two provided Leg Box bolts, slide the Leg Box assembly over the front bolts located on the base of the unit, and reinstall the rear bolts thru the Leg Box holes and tighten all four (4) bolts.
- Carefully remove the cast iron legs from the packaging and secure each leg with two (2) bolts provided.
- Secure all four (4) legs, push the leg towards the center of the stove and align the legs with the outer edges of the firebox.
- Stand the unit on the legs and set the unit in the location ready for installation.

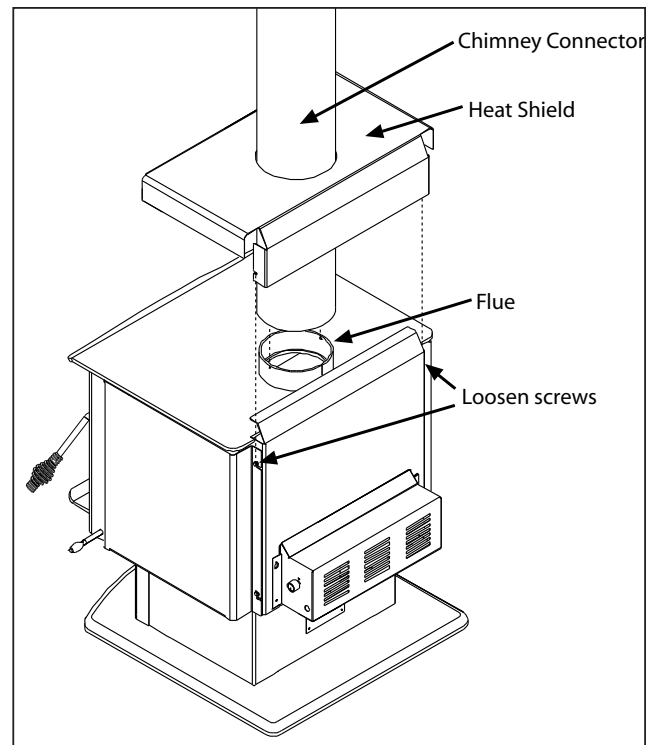


**Figure 17: Installing Legs and Ash Pan Assembly.**

## INSTALLATION OF HEAT-EFFICIENCY SHIELD - FREESTANDING FLAT TOP:

The heat-efficiency shield is installed to lower the clearances to combustibles on the flat top freestanding model.

1. The unit must be in position for the installation and with the venting ready to be assembled.
2. Loosen the two (2) top screws on the back of the unit using a  $\frac{5}{16}$ " socket.
3. Place the heat-efficiency shield on top of unit.
4. Slide chimney connector through the heat-efficiency shield and over the flue.
5. Lift the heat-efficiency shield and screw the chimney connector to the flue.
6. Slide the heat-efficiency shield down and hook the slot at the back of the shield, around the loosened screws at the back of the unit.
7. Tighten the two (2) screws at the back.

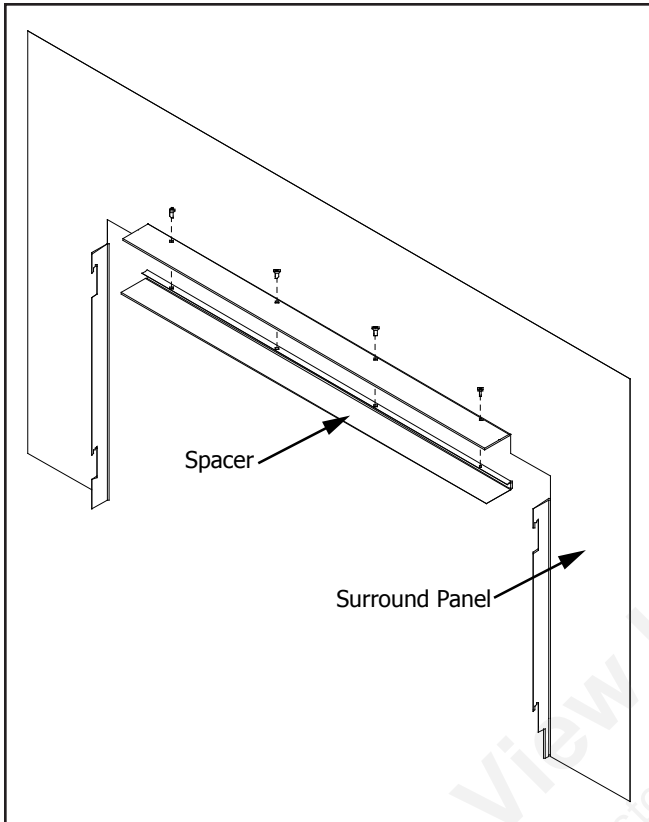


**Figure 18: Installing Heat Shield.**

# Installation

## MODIFICATIONS FOR INSTALLATION WITH 19<sup>1</sup>/<sub>16</sub>" (484MM) HIGH LINTEL - INSERT

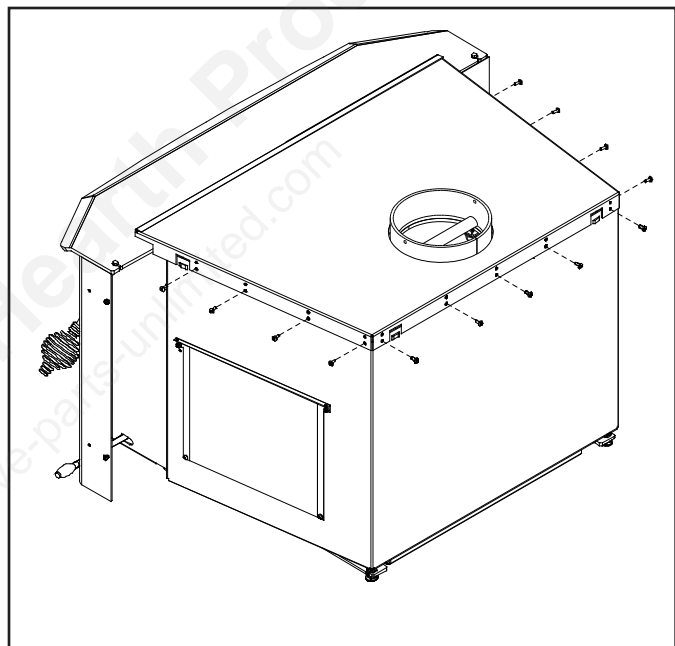
The Kodiak has a factory height of 19<sup>9</sup>/<sub>16</sub>" (497mm) and it can be reduced to 19<sup>1</sup>/<sub>16</sub>" (484mm) by modifying the unit and the surround panel.



**Figure 19: Installing Spacer onto Surround Panel.**

### Surround Panel:

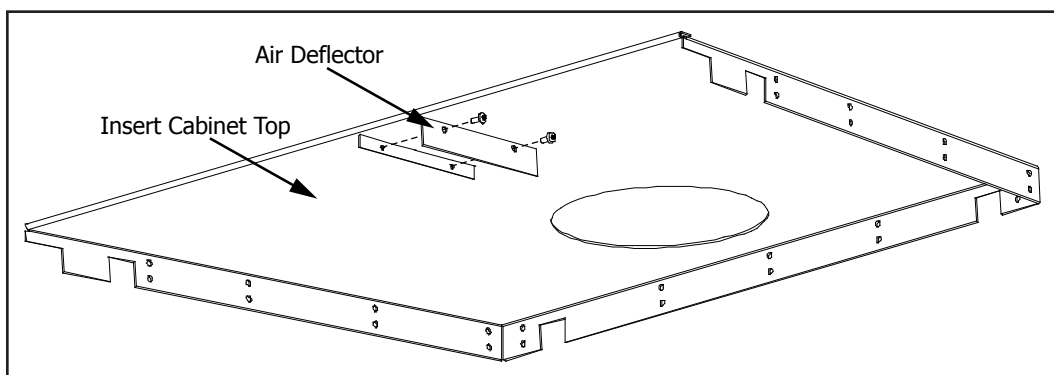
1. Fasten the Surround Spacer to the inner top surface of the Surround Panel using the four (4) T-20 screws (refer to Figure 19).
2. Refer to INSTALLATION OF THE SURROUND PANEL - INSERT to finish assembling the surround panel.



**Figure 20: Removing Cabinet Top from Unit.**

### Insert Unit:

1. Remove the thirteen T-20 screws holding the cabinet top in place (refer to Figure 20).
2. Remove the cabinet top and flip it onto its top.
3. Remove the Air Deflector (shown in Figure 21) by removing the two (2) T-20 screws.
4. Re-install the cabinet top onto the unit. The screw holes along the top of the unit should now line up with the top set of holes on the cabinet top.



**Figure 21: Removing Air Deflector onto Cabinet Top.**

# Installation

## HEARTH PROTECTION EXAMPLES:

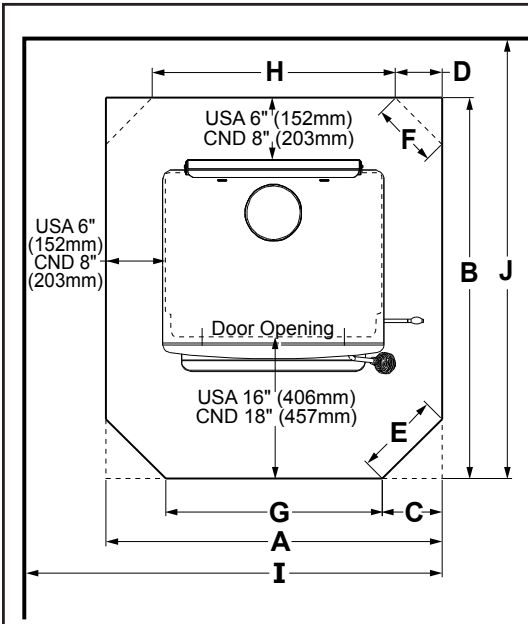
**Table 11: Examples of Hearth Pad Sizing Using Clearances From Tables 9 &10 (refer to Figures 22 & 23).**

	Canada		USA	
	1200	1700	1200	1700
(A) Minimum Width	40½" (1028mm)		36½" (926mm)	
(B) Minimum Depth	46" (1168mm)	50½" (1283mm)	42" (1067mm)	46½" (1181mm)
OPTIONAL - Corner removal				
(C) Maximum Front Corners - Adjacent	8¾" (314mm)		6¾" (171mm)	
(D) Maximum Back Corners - Adjacent	6¼" (160mm)		5⅛" (130mm)	
(E) Maximum Front Corners - Diagonal	12¾" (314mm)		9½" (242mm)	
(F) Maximum Back Corners - Diagonal	8⅞" (227mm)		7¼" (185mm)	
(G) Minimum Width remaining without corners - Front	23" (583mm)		23" (583mm)	
(H) Minimum Width remaining without corners - Back	27⅞" (707mm)		26⅛" (665mm)	

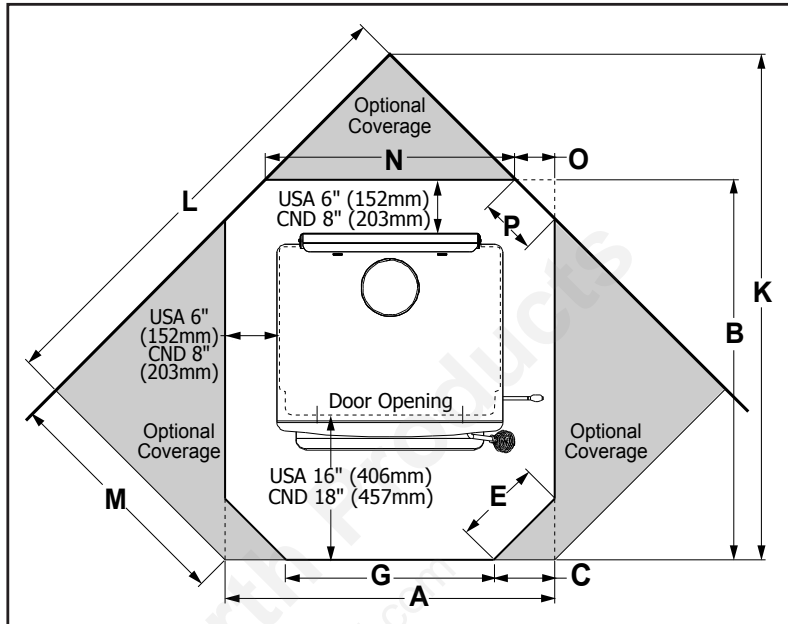
**Table 12: Examples of Parallel Installation Using Clearances From Tables 9 &10 (refer to Figure 22).**

	Model	Country	(I) Far Edge of Hearth Pad to Side Wall - Minimum	(J) Front of Hearth Pad to Back Wall - Minimum
Single Wall Pipe	1200	Canada	45½" (1156mm)	49¼" (1252mm)
		USA	43½" (1104mm)	47¼" (1201mm)
	1700	Canada	52½" (1333mm)	54¾" (1391mm)
		USA	50½" (1283mm)	52¾" (1340mm)
Double Wall Pipe	1200	Canada	45½" (1156mm)	48¼" (1226mm)
		USA	43½" (1104mm)	46¼" (1175mm)
	1700	Canada	45½" (1156mm)	52¾" (1340mm)
		USA	43½" (1104mm)	50¾" (1290mm)
Double Wall Pipe with Heat Efficiency Shield 50-1088 (Flat top model only)	1200	Canada	45½" (1156mm)	46¼" (1175mm)
		USA	43½" (1104mm)	44¼" (1125mm)
	1700	Canada	45½" (1156mm)	50¾" (1290mm)
		USA	43½" (1104mm)	47¾" (1213mm)
Top vent out back wall with min. 24" (610mm) vertical rise; double wall	1200	Canada	46½" (1181mm)	50¼" (1277mm)
		USA	44½" (1129mm)	48¼" (1226mm)
	1700	Canada	43½" (1104mm)	55¾" (1417mm)
		USA	41½" (1053mm)	53¾" (13466mm)

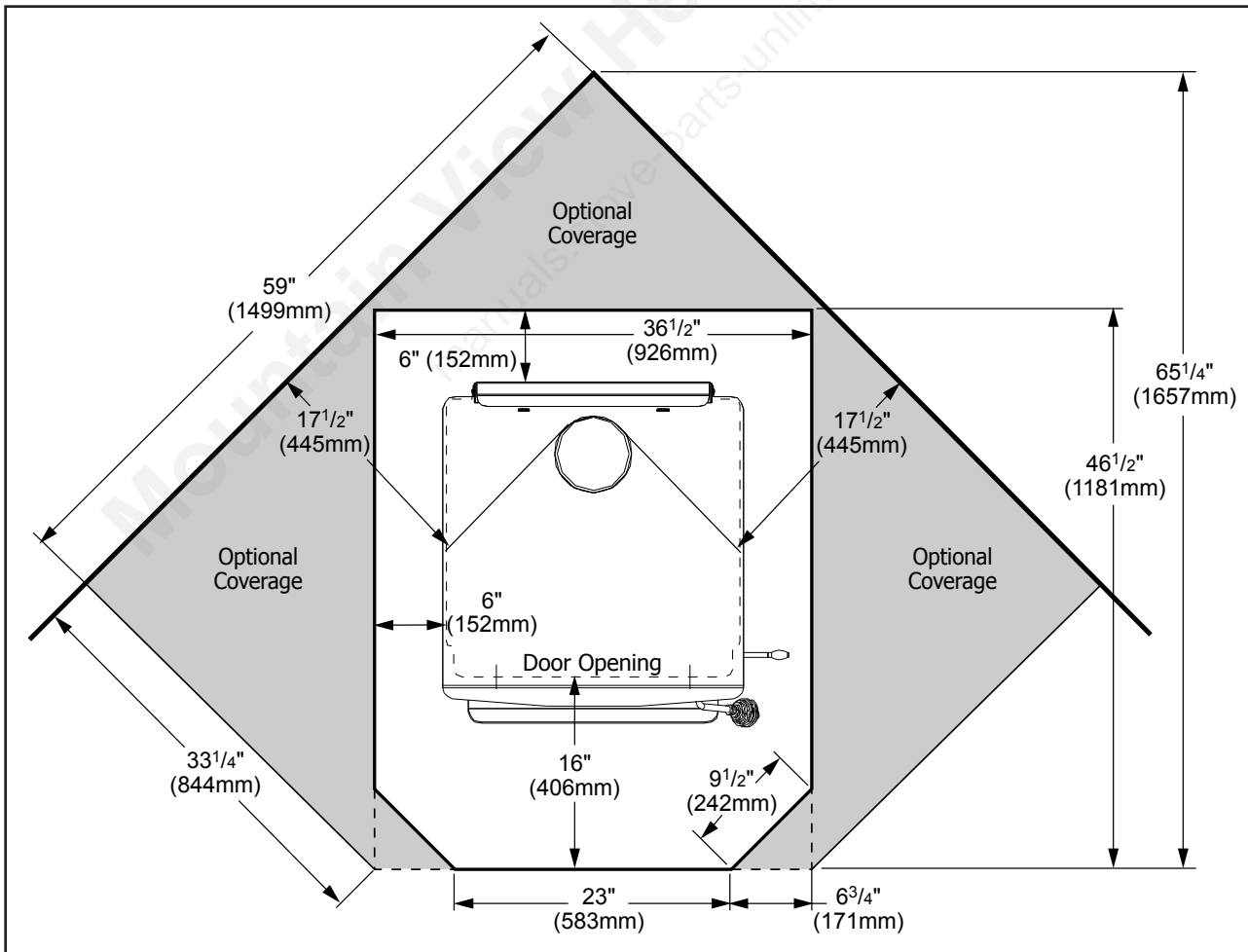
# Installation



**Figure 22: General Parallel Installation (refer to Tables 11 & 12).**



**Figure 23: General Corner Installation (refer to Tables 11 & 13).**



**Figure 24: Corner Installation for 1700 in USA using Single Wall Pipe (refer to Tables 10, 11, & 13).**

# Installation

**Table 13: Examples of Corner Installation Using Clearances From Tables 9 & 10 (refer to Figures 23 & 24).**

		(K) Front of Hearth Pad to Corner	(L) Adjacent Wall	(M) Edge of Hearth Pad to Adjacent Wall	(N) Width at back of Hearth Pad	(O) Back Corner Removed - Adjacent	(P) Back Corner Removed - Diagonal
Single Wall Pipe	1200	Canada 61 <sup>3</sup> / <sub>8</sub> " (1558mm)	57 <sup>5</sup> / <sub>8</sub> " (1465mm)	29 <sup>1</sup> / <sub>8</sub> " (738mm)	30 <sup>5</sup> / <sub>8</sub> " (779mm)	47 <sup>8</sup> / <sub>8</sub> " (124mm)	7 <sup>1</sup> / <sub>8</sub> " (182mm)
		USA 59 <sup>3</sup> / <sub>8</sub> " (1507mm)	54 <sup>7</sup> / <sub>8</sub> " (1393mm)	29 <sup>1</sup> / <sub>8</sub> " (738mm)	34 <sup>5</sup> / <sub>8</sub> " (881mm)	7 <sup>8</sup> / <sub>8</sub> " (23mm)	1 <sup>1</sup> / <sub>4</sub> " (32mm)
	1700	Canada 67 <sup>1</sup> / <sub>4</sub> " (1708mm)	61 <sup>7</sup> / <sub>8</sub> " (1571mm)	33 <sup>1</sup> / <sub>4</sub> " (844mm)	33 <sup>1</sup> / <sub>2</sub> " (851mm)	3 <sup>1</sup> / <sub>2</sub> " (88mm)	4 <sup>7</sup> / <sub>8</sub> " (125mm)
		USA 65 <sup>1</sup> / <sub>4</sub> " (1657mm)	59" (1499mm)	33 <sup>1</sup> / <sub>4</sub> " (844mm)	36 <sup>1</sup> / <sub>2</sub> " (926mm)	0" (0mm)	0" (0mm)
Double Wall Pipe	1200	Canada 59 <sup>7</sup> / <sub>8</sub> " (1522mm)	56 <sup>5</sup> / <sub>8</sub> " (1439mm)	28 <sup>1</sup> / <sub>8</sub> " (713mm)	27 <sup>7</sup> / <sub>8</sub> " (707mm)	6 <sup>1</sup> / <sub>4</sub> " (160mm)	8 <sup>7</sup> / <sub>8</sub> " (227mm)
		USA 57 <sup>7</sup> / <sub>8</sub> " (1471mm)	53 <sup>7</sup> / <sub>8</sub> " (1368mm)	28 <sup>1</sup> / <sub>8</sub> " (713mm)	31 <sup>7</sup> / <sub>8</sub> " (809mm)	2 <sup>1</sup> / <sub>4</sub> " (59mm)	3 <sup>1</sup> / <sub>4</sub> " (83mm)
	1700	Canada 65 <sup>1</sup> / <sub>8</sub> " (1654mm)	60 <sup>3</sup> / <sub>8</sub> " (1533mm)	31 <sup>3</sup> / <sub>4</sub> " (806mm)	29 <sup>1</sup> / <sub>4</sub> " (743mm)	5 <sup>5</sup> / <sub>8</sub> " (142mm)	7 <sup>7</sup> / <sub>8</sub> " (201mm)
		USA 63 <sup>1</sup> / <sub>8</sub> " (1603mm)	57 <sup>1</sup> / <sub>2</sub> " (1461mm)	31 <sup>3</sup> / <sub>4</sub> " (806mm)	33 <sup>1</sup> / <sub>4</sub> " (845mm)	1 <sup>5</sup> / <sub>8</sub> " (41mm)	2 <sup>1</sup> / <sub>4</sub> " (59mm)
Double Wall Pipe with Heat Efficiency Shield 50- 1088 (Flat top model only)	1200	Canada 59 <sup>7</sup> / <sub>8</sub> " (1522mm)	56 <sup>5</sup> / <sub>8</sub> " (1439mm)	28 <sup>1</sup> / <sub>8</sub> " (713mm)	27 <sup>7</sup> / <sub>8</sub> " (707mm)	6 <sup>1</sup> / <sub>4</sub> " (160mm)	8 <sup>7</sup> / <sub>8</sub> " (227mm)
		USA 55 <sup>3</sup> / <sub>4</sub> " (1417mm)	52 <sup>3</sup> / <sub>8</sub> " (1330mm)	26 <sup>5</sup> / <sub>8</sub> " (675mm)	27 <sup>5</sup> / <sub>8</sub> " (701mm)	4 <sup>3</sup> / <sub>8</sub> " (133mm)	6 <sup>1</sup> / <sub>4</sub> " (160mm)
	1700	Canada 64 <sup>3</sup> / <sub>8</sub> " (1636mm)	59 <sup>7</sup> / <sub>8</sub> " (1520mm)	31 <sup>1</sup> / <sub>4</sub> " (794mm)	27 <sup>7</sup> / <sub>8</sub> " (707mm)	6 <sup>1</sup> / <sub>4</sub> " (160mm)	8 <sup>7</sup> / <sub>8</sub> " (227mm)
		USA 59 <sup>5</sup> / <sub>8</sub> " (1514mm)	55" (1398mm)	29 <sup>1</sup> / <sub>4</sub> " (743mm)	26 <sup>1</sup> / <sub>8</sub> " (665mm)	5 <sup>1</sup> / <sub>8</sub> " (130mm)	7 <sup>1</sup> / <sub>4</sub> " (185mm)

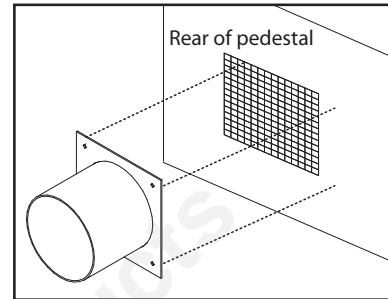
# Installation

## OUTSIDE AIR KIT:

It is mandatory to use outside air for installations in mobile homes.

A 4" (10.2 cm) fresh air adaptor kit is available. This adaptor can be installed either on the back pedestal or through the floor under the pedestal. The cover plate must be installed on the unit if your stove is located in a mobile home or if using outside air from the bottom.

Place the ¼" mesh screen between the fresh air adaptor and the body of the pedestal (as shown to right).



**Figure 25: Fresh Air Adaptor onto the Back of the Pedestal.**

**NOTE:** Fresh air connection to the unit must be a non-combustible pipe, example: 4" (10.2 cm) single wall aluminum flex pipe.

**NOTE:** Remove the cover plate on the rear of the pedestal if room air is to be used for combustion air.

## RECOMMENDED HEIGHTS AND DIAMETERS FOR FLUE PIPE:

The minimum flue pipe height at sea level is 12 feet (3.7 m) straight up from top of the unit. For every 1000 feet (305 m) above sea level, 4% could be added to the overall height. Use Tables 14, 15, and 16 to calculate the required vertical rise required.

**Table 14: Recommended Height for Flue Pipe.**

Elevation above sea level feet	Minimum recommended flue pipe height for # of elbows (Note: No more than 2 offsets (4 elbows) can be used. 2x45°=1x90°)						
	0	2 x 15°	4 x 15°	2 x 30°	4 x 30°	2 x 45°	4 x 45°
0-1000	12.0	12.7	13.3	13.3	14.7	14.0	16.0
1000-2000	12.5	13.2	13.8	13.8	15.3	14.6	16.6
2000-3000	13.0	13.7	14.4	14.4	15.9	15.1	17.3
3000-4000	13.4	14.2	14.9	14.9	16.5	15.7	17.9
4000-5000	13.9	14.7	15.4	15.4	17.1	16.2	18.6
5000-6000	14.4	15.2	16.0	16.0	17.6	16.8	19.2
6000-7000	14.9	15.7	16.5	16.5	18.2	17.4	19.8
7000-8000	15.4	16.3	17.0	17.0	18.8	17.9	20.5
8000-9000	15.8	16.8	17.6	17.6	19.4	18.5	21.1
9000-10000	16.3	17.3	18.1	18.1	20.0	19.0	21.8
meters	0	2 x 15°	4 x 15°	2 x 30°	4 x 30°	2 x 45°	4 x 45°
0-305	3.7	3.9	4.1	4.1	4.5	4.3	4.9
305-610	3.8	4.0	4.2	4.2	4.6	4.4	5.1
610-915	4.0	4.2	4.4	4.4	4.8	4.6	5.3
915-1220	4.1	4.3	4.6	4.6	5.0	4.8	5.5
1220-1525	4.2	4.5	4.7	4.7	5.2	4.9	5.7
1525-1830	4.4	4.6	4.9	4.9	5.4	5.1	5.9
1830-2135	4.5	4.8	5.0	5.0	5.5	5.3	6.0
2135-2440	4.7	4.9	5.2	5.2	5.7	5.5	6.2
2440-2745	4.8	5.1	5.4	5.4	5.9	5.6	6.4
2745-3050	5.0	5.3	5.5	5.5	6.1	5.8	6.6

**Table 15: Distance to add to overall vertical height.**

Part used	Distance to add	
	feet	meters
45° elbow	1.0	0.3
90° elbow	2.0	0.6
"T"	3.0	0.9
1 ft (0.3m) of horizontal run	2.0	0.6

**Table 16: Examples of calculating overall vertical height required.**

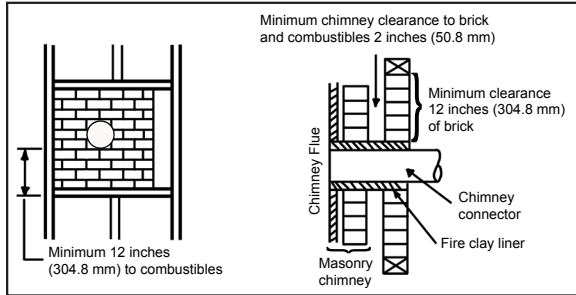
	Height
sea level with 2 x 30° elbows	13.3 ft (4.1 m)
one "T"	3.0 ft (0.9 m)
1½ ft (0.6 m) horizontal run	3.0 ft (0.9 m)
<b>Total 1</b>	<b>19.3 ft (5.9 m)</b>
4000-5000 ft (1220-1525 m) above sea level	13.9 ft (4.2 m)
one "T"	3.0 ft (0.9 m)
2 ft (0.6 m) horizontal run	4.0 ft (1.2 m)
<b>Total 2</b>	<b>20.9 ft (6.3 m)</b>

We recommend the use of a 6" (150mm) diameter flue pipe. However, the CSA-B365, NFPA 211 Chapter 12.4.4-1, and the WETT Training Manual state that the flue pipe may be reduced in cross-sectional area provided that the installer ensures sufficient draft is available at the appliance.

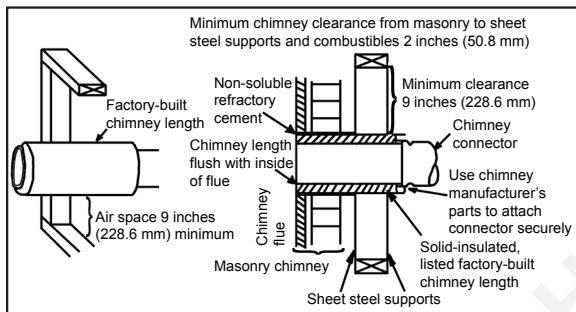
# Installation

## CHIMNEY INSTALLATION THROUGH WALL:

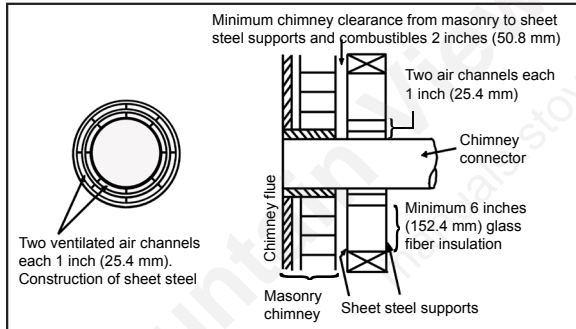
Here are four (4) methods of combustible wall chimney connector pass-throughs. Information was provided from NFPA 211.



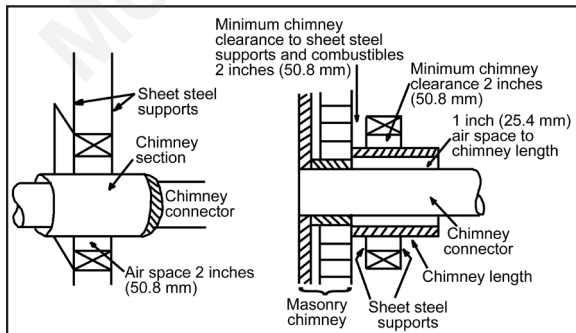
**Figure 26: Chimney Through Wall - Method A.**



**Figure 27: Chimney Through Wall - Method B.**



**Figure 28: Chimney Through Wall - Method C.**



**Figure 29: Chimney Through Wall - Method D.**

**Method A. 12" (304.8 mm) Clearance to Combustible Wall Member:** Using a minimum thickness 3.5" (89 mm) brick and a 5/8" (15.9 mm) minimum wall thickness clay liner, construct a wall pass-through. The clay liner must conform to ASTM C315 (Standard Specification for Clay Fire Linings) or its equivalent. Keep a minimum of 12" (305 mm) of brick masonry between the clay liner and wall combustibles. The clay liner shall run from the brick masonry outer surface to the inner surface of the chimney flue liner but not past the inner surface. Firmly grout or cement the clay liner in place to the chimney flue liner.

**Method B. 9" (229 mm) Clearance to Combustible Wall Member:** Using a 6" (152 mm) inside diameter, factory-built Solid-Pak chimney section with insulation of 1" (25.4 mm) or more, build a wall pass-through with a minimum 9" (229 mm) air space between the outer wall of the chimney length and wall combustibles. Use sheet metal supports, fastened securely to wall surfaces on all sides, to maintain the 9" (229 mm) air space. When fastening supports to chimney length, do not penetrate the chimney liner (the inside wall of the Solid-Pak chimney). The inner end of the Solid-Pak chimney section shall be flush with the inside of the masonry chimney flue and sealed with a non-water soluble refractory cement. Use this cement to also seal to the brick masonry penetration.

**Method C. 6" (152.4 mm) Clearance to Combustible Wall Member:** Starting with a minimum 24 gauge (.024" [0.6 mm]) 6" (152.4 mm) metal chimney connector and a minimum 24 gauge ventilated wall thimble which has two air channels of 1" (25.4 mm) each, construct a wall pass-through. There shall be a minimum 6" (152.4 mm) separation area containing fiberglass insulation, from the outer surface of the wall thimble to wall combustibles. Support the wall thimble and cover its opening with a 24 gauge minimum sheet metal support. Maintain the 6" (152.4 mm) space. There should also be a support sized to fit and hold the metal chimney connector. See that the supports are fastened securely to wall surfaces on all sides. Make sure fasteners used to secure the metal chimney connector do not penetrate chimney flue liner.

**Method D. 2" (50.8 mm) Clearance to Combustible Wall Member:** Start with a solid-pak listed factory-built chimney section at least 12" (304 mm) long, with insulation of 1" (25.4 mm) or more, and an inside diameter of 8" (2" [51 mm] larger than the 6" [152.4 mm] chimney connector). Use this as a pass-through for a minimum 24 gauge single-wall steel chimney connector. Keep solid-pak section concentric with and spaced 1" (25.4 mm) off the chimney connector by way of sheet metal support plates at both ends of chimney section. Cover opening, and support chimney section on both sides, with 24 gauge minimum sheet metal supports. See that the supports are fastened securely to wall surfaces on all sides. Make sure fasteners are used to secure chimney flue liner.

### NOTES:

1. Connectors to a masonry chimney, excepting method B, shall extend in one continuous section through the wall pass-through system and the chimney wall, to but not past the inner flue liner face.
2. A chimney connector shall not pass through an attic or roof space, closet or similar concealed space, or a floor, or ceiling.

# Installation

## INSTALLATION OF A LISTED, FACTORY BUILT CHIMNEY - FREESTANDING:

**This is a generic set of instructions; always follow the chimney manufacturer's instructions explicitly. Also refer to "RECOMMENDED HEIGHTS FOR FLUE PIPE".**

1. Set floor protector and stove in location in accordance with the "CLEARANCES TO COMBUSTIBLES - 1200 FREESTANDING" or "CLEARANCES TO COMBUSTIBLES - 1700 FREESTANDING".

2. Mark the position for the ceiling hole by suspending a plumb bob from the ceiling over the exact center of your stove flue and mark a spot on the ceiling to indicate the center of the chimney.

3. Move this location, if necessary, to avoid floor joists, ceiling rafters, electrical wiring and plumbing while still maintaining required clearances. If floor joists or ceiling rafters must be cut they must be made structurally sound again. Install chimney according to chimney manufacturers instructions. A chimney connector cannot pass through an attic or roof space, closet or similar concealed space, or a floor, ceiling, wall or partition of combustible construction. In Canada, if passage through a wall or partition of combustible construction is desired, the installation shall conform to CAN/CSA-B365 Installation Code for Solid-Fuel Burning Appliances and Equipment and NFPA 211 Standard for Chimneys, Fireplaces, Vents, and Solid Fuel-Burning Appliances.

4. Mark the hole for the outside air kit.
5. Move the stove out of the way.
6. Cut a pilot hole in the ceiling.
7. Cut a hole for the ceiling penetration components and frame in the sides of the hole in both the ceiling and roof. Check, and follow chimney manufacturer's instructions for all of these steps.
8. Install the support box and chimney through the roof. Install the slip section for the chimney connector.
9. Slip the roof flashing over the chimney and secure to the roof, being careful to keep the pipe centered in the opening. To meet the code, the chimney must extend above the roof penetration at least 3 feet (91.4 cm),

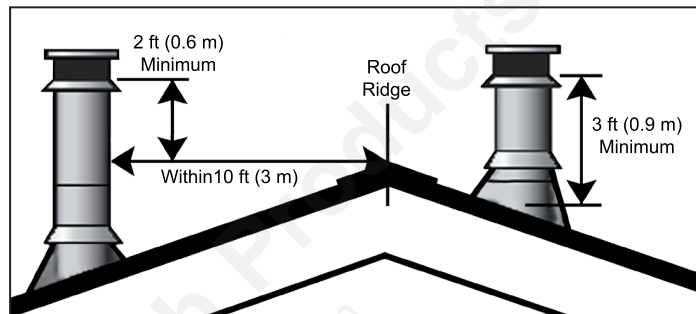


Figure 30: Roof Clearances.

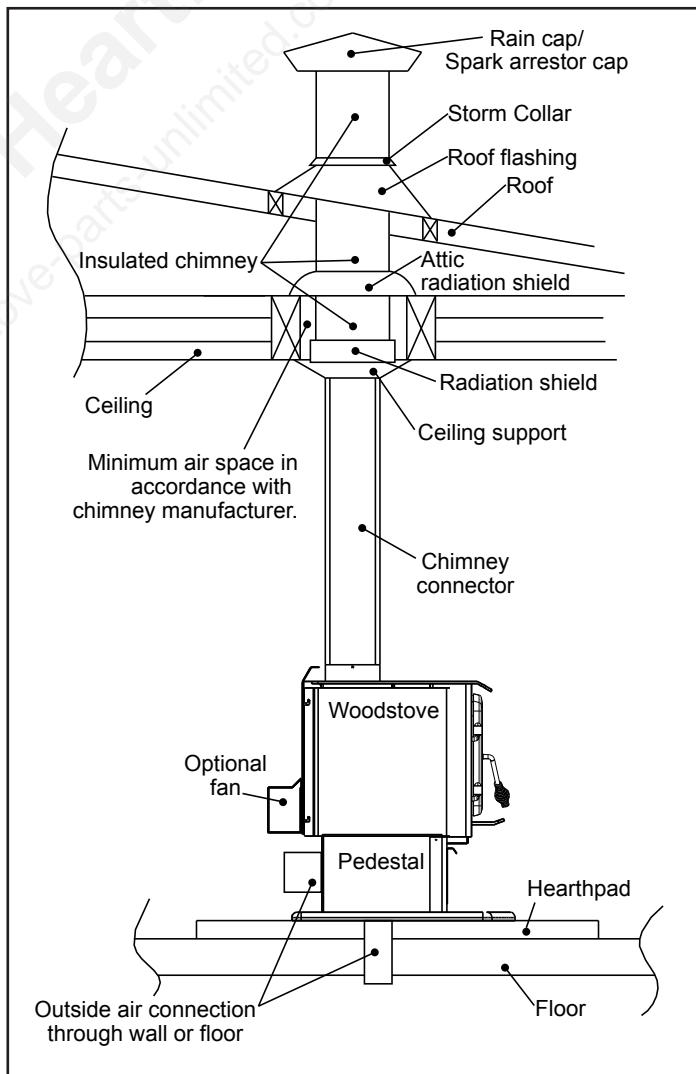


Figure 31: Standard Vertical Installation.

# Installation

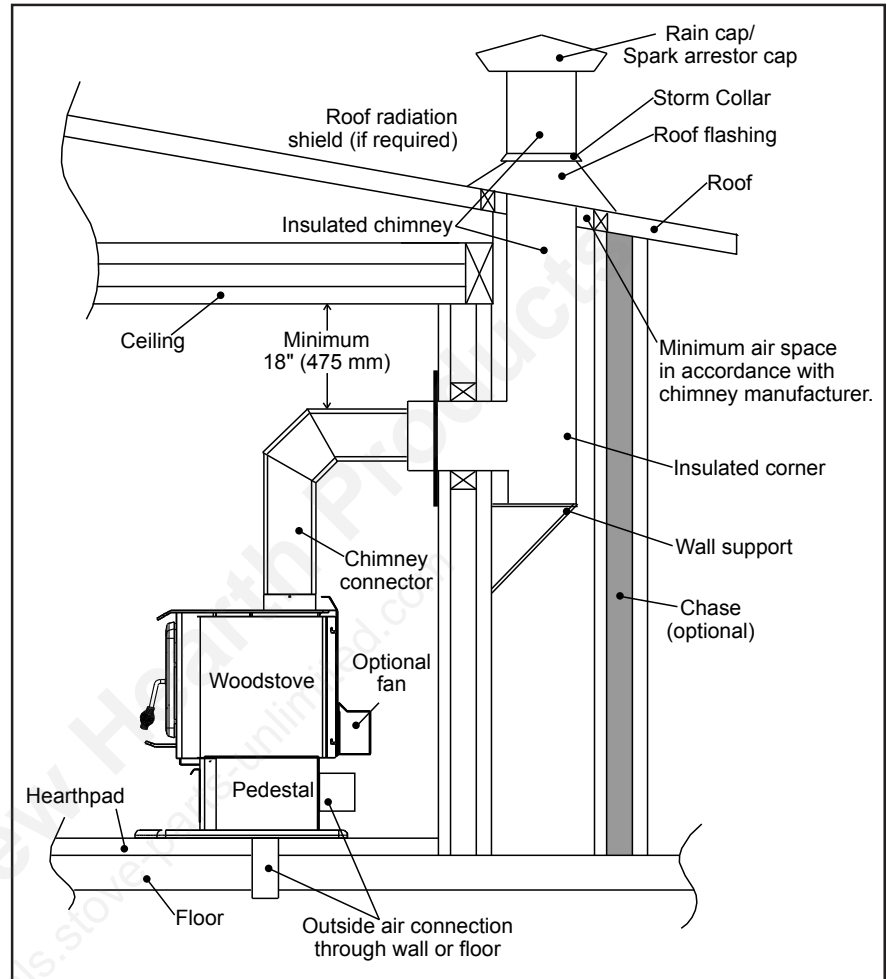
and in any area within 10 feet (304.8 cm) of the roof ridge, the chimney must be 2 feet (60.9 cm) above the ridge. Refer to Figure 30.

**Note:** Increasing the chimney height above the roof may help your unit to draft better. This greater draft can decrease problems such as difficult start-ups, smoke coming out when door is open, and dirty glass. You may initially try the minimum required height and if problems do arise, add additional height later.

- Slide the roof flashing over your chimney and seal the flashing to the roof with a roofing compound. Secure the roof flashing to your roof with nails or screws.
- Place the storm collar over the flashing and seal the joints with silicone caulking.
- Fasten the rain cap / spark arrestor cap to the top of your chimney.
- Place the stove back into position.
- Install the chimney connector pipe with the lower (crimped) edge of the pipe inside the flue collar. Any creosote formed will then run back down into the stove. All connections must be tight and secured with three sheet metal screws equally spaced. Double wall pipe is recommended over single wall.
- Also install an outside air flex pipe to the stove.

**IMPORTANT:** When a metal prefabricated chimney is used, the manufacturer's installation instructions must be followed. You must also purchase and install the ceiling support package or wall pass-through and "T" section package, firestops (where needed), insulation shield, roof flashing, chimney cap, etc. Maintain proper clearance to the structure as recommended by the manufacturer. The chimney must be the required height above the roof or other obstructions for safety and proper draft operation.

**Note:** If you are using a horizontal connector (refer to Figure 32), the chimney connector should be as high as possible while still maintaining the 18" (475 mm) minimum distance from the horizontal connector to the ceiling.



**Figure 32: Standard Horizontal Installation.**

# Installation

## MASONRY CHIMNEY INSTALLATION - FREESTANDING:

**DO NOT CONNECT THIS UNIT TO OR USE IN CONJUNCTION WITH ANY AIR DISTRIBUTION DUCTWORK UNLESS SPECIFICALLY APPROVED FOR SUCH INSTALLATIONS**

**DO NOT CONNECT THIS UNIT TO A CHIMNEY FLUE SERVING ANOTHER APPLIANCE.**

A non-combustible floor protector is required under all freestanding units; refer to "CLEARANCES TO COMBUSTIBLES - 1200 FREESTANDING" or "CLEARANCES TO COMBUSTIBLES - 1700 FREESTANDING". When venting into a masonry chimney, the floor protector must be installed directly below the chimney vent and 2" (50.8 mm) on either side of the chimney vent.

Vent the stove into a clean, lined, approved masonry chimney in good condition, conforming to local building codes and meeting the minimum standards of the National Fire Protection Association (NFPA). Make sure there are no cracks, loose mortar or other signs of deterioration and blockage. Have the chimney cleaned before the stove is installed and operated, or vent with a listed 6" (150 mm) factory-built chimney suitable for use with solid fuels and conforming to ULC-S629 Standard for 650°C factory-Built Chimneys in CANADA or UL 103 HT Factory-Built Chimneys for Residential Type and Building Heating Appliances in the U.S.A. Connect the stove to this chimney with a short and straight 6" (150 mm), 24 gauge or heavier, single-wall black or blued steel smoke pipe. Connection to all masonry chimneys must be a metal or masonry thimble cemented in place. All smoke pipes must slope upwards, all connections must be tight and secured with three sheet metal screws equally spaced. The smoke pipe length should not exceed 40% of the chimney height above the stove.

When connecting the stove through a combustible wall to a masonry chimney, additional steps are required. Consult the chimney connector manufacturer and refer to Figure 34.

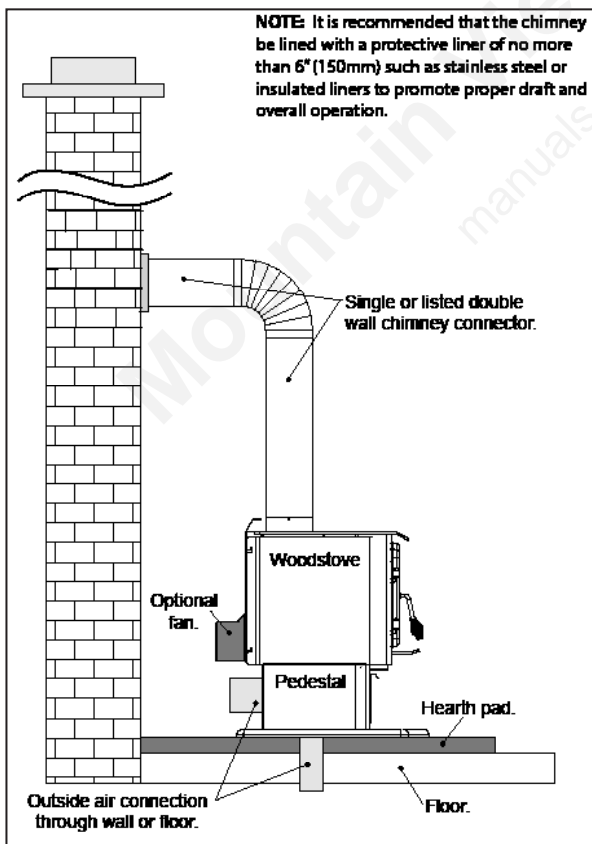


Figure 33: Installation into a masonry chimney.

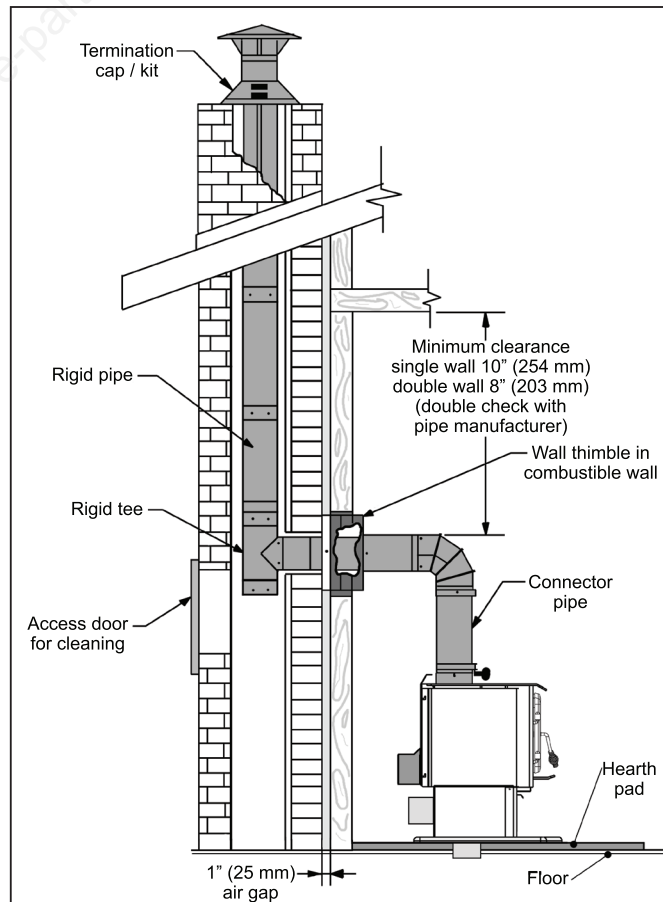
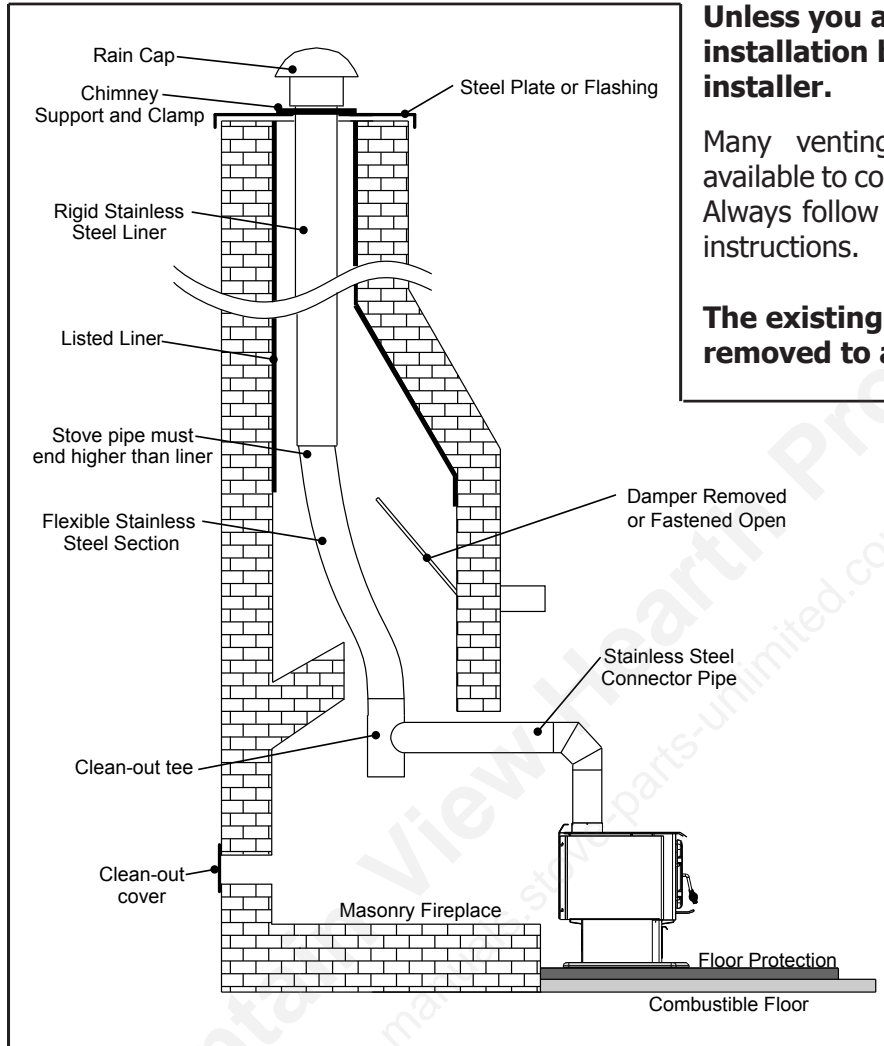


Figure 34: Installation into chimney through a combustible wall.

# Installation

## MASONRY FIREPLACE INSTALLATION - FREESTANDING:



**Unless you are experienced, we recommend installation by your dealer or a professional installer.**

Many venting manufacturers have listed kits available to connect a stove to a masonry fireplace. Always follow the vent manufacturer's installation instructions.

**The existing damper may have to be removed to allow installation.**

**Figure 35: Freestanding Installation into existing fireplace.**

## MOBILE HOME INSTALLATION:

**SPECIAL REQUIREMENTS:** Pedestal models 1200 and 1700 are approved for mobile homes. A 1200 or 1700 Insert may also be installed into a Mobile Home in the U.S. provided there is a Mobile Home approved Factory Built Fireplace installed with adequate fresh air supply, and that that Factory Built Fireplace is not altered beyond the damper or ash shelf being modified. In Canada, Insert Mobile Home installations must be pre-approved by the local inspector. All freestanding installation requirements in "Installation Of A Listed, Factory Built Chimney", must comply with all local codes that may apply, and the following must be met:

### **VENTING:**

**In Canada:** Any ULC-S629 listed chimney system with the accompanying double-wall vent connector.

**In U.S.A.** Any UL-103-HT listed chimney system with the accompanying double-wall vent connector. Do not connect a listed chimney of one manufacture with a listed double wall connector from another manufacture.

# Installation

These connectors must be installed in accordance with the manufacturer's instructions. Use only specified components. The chimney and pipe must extend at least 10 feet (2.4 m) above the stove and 3 feet (0.9 m) above the highest point of the roof. Install a rain cap with spark arrestor at the top that will not impede the smoke exhaust. The chimney must be supported at the ceiling or roof so that its weight will not sit on the stove. Seal with silicone to maintain vapor barrier at the chimney and outside air penetrations.

**CAUTION: THE STRUCTURAL INTEGRITY OF THE MOBILE HOME FLOOR, WALL, AND CEILING/ROOF MUST BE MAINTAINED.**

## OUTSIDE AIR :

Connection from the stoves air intake to the outside is **mandatory**, (MOBILE HOMES ONLY) either through a hole in the wall not higher than the stoves bottom or through a hole in the floor beneath the pedestal, using the fresh air adaptor provided. If the air intake is through the floor, the hole in the pedestal back must be closed with the sheet metal cover provided. Avoid cutting any floor joists, wall studs, electrical wiring or plumbing. Seal around the outside air pipe with insulation to prevent drafts. Also install a ¼" mesh rodent or pest screen in the end of fresh-air pipe. Fresh-air connection must be of a non-combustible material, example: 4" (10.16 cm) flexible aluminum single wall pipe.

Fresh air could also be supplied from a **vented crawlspace**.

The pedestal must be firmly bolted to the floor using two (2) ¼" bolts. Be sure to replace any insulation or panels removed when fastening the bottom nuts.

If room air starvation occurs because the air intake is blocked with ice, leaves etc. or because the stove door was left open, or due to a strong exhaust fan operating, dangerous fumes could be sucked into the room.

IN SOME AREAS IT MAY BE REQUIRED TO ELECTRICALLY GROUND THE STOVE TO THE STEEL CHASSIS OF THE MOBILE HOME.

When this unit is installed in a Mobile Home it must be grounded to the steel chassis or connected to a grounding rod.

Manufactured (Mobile) home installation must be in accordance with the Manufactured Home Construction and Safety Standard, UL 307B, Title 24 CFR, Part 3280 and/or The Standard for Manufactured Home Installations, ANSI A225.1/NFPA 501A.

**WARNING: DO NOT INSTALL IN A MOBILE HOME SLEEPING ROOM.**

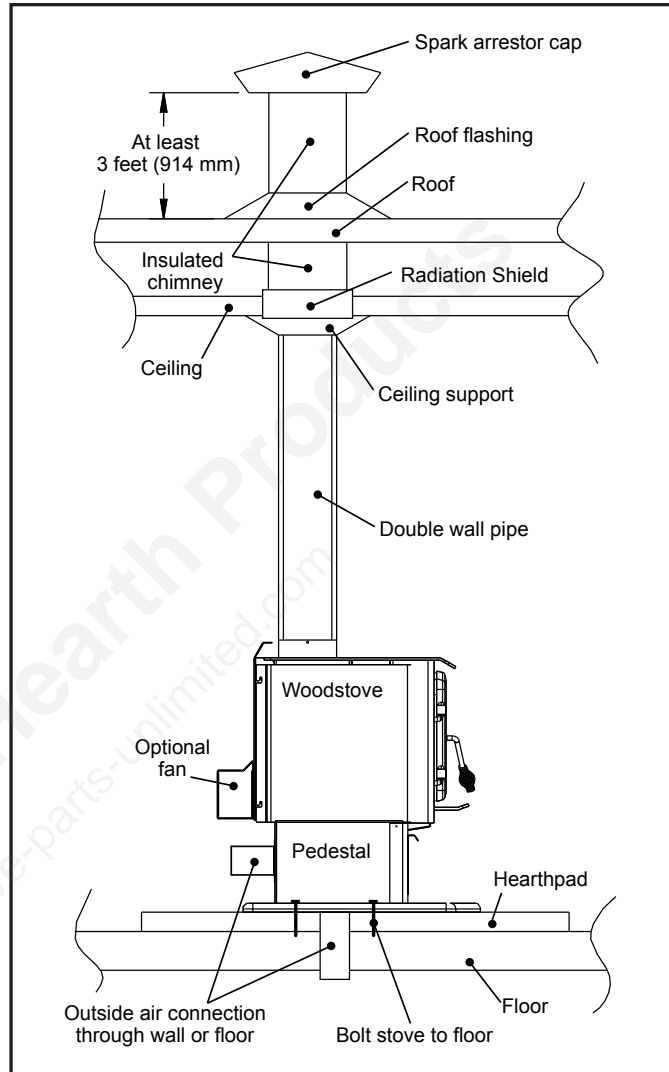


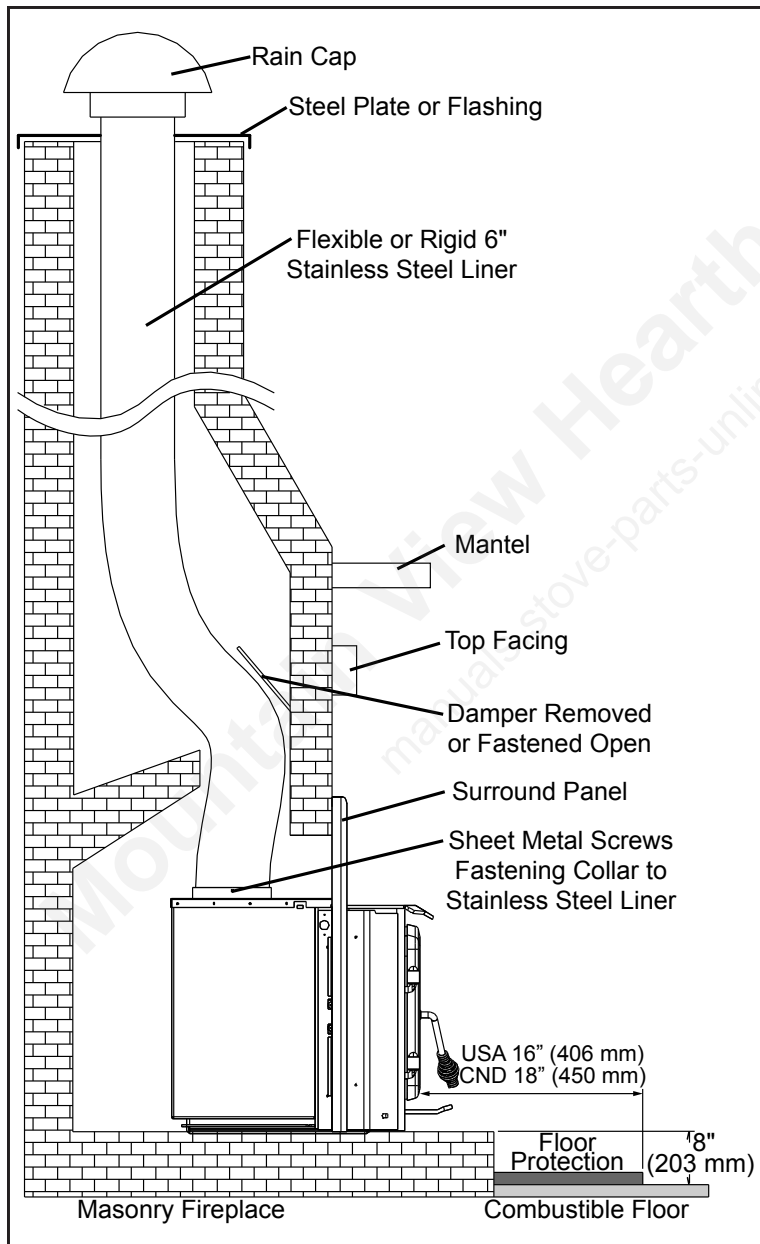
Figure 36: Freestanding installation into mobile home.

# Installation

## MASONRY FIREPLACE INSTALLATION - INSERT:

**Unless you are experienced, we recommend installation by your dealer or a professional installer.**

Install only in a masonry fireplace with a good-condition chimney at least 15 ft (4.6 m) high, both of which have been constructed in accordance with the building code. Refer to Tables 5 and 8 for minimum masonry fireplace dimensions. Be sure the fireplace and chimney are clean and sound without any cracks or loose mortar. Do not remove any bricks or mortar from the fireplace.



**Figure 37: Insert Installation into existing fireplace with hearth.**

If there is a combustible floor in front of the masonry fireplace, the fireplace insert must be 8" (203 mm) above the combustible floor, and floor protection must be provided 18" (457 mm) in front of the fireplace insert and 8" (203 mm) to each side of the unit. Refer also to SPECIFICATIONS - CLEARANCES TO COMBUSTIBLES - 1200 INSERT and SPECIFICATIONS - CLEARANCES TO COMBUSTIBLES - 1700 INSERT.

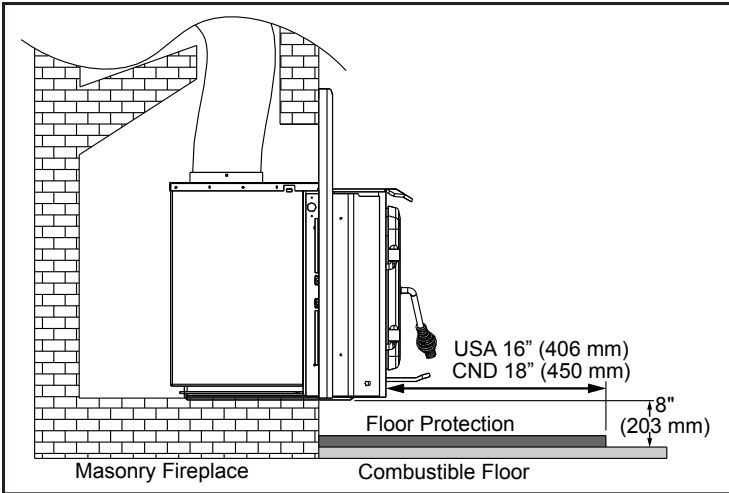
**1.** Remove any fireplace damper or fasten in a permanent open position.

**2. (IN CANADA)** The stove is vented with a 6" stainless steel liner that goes directly to the top of the chimney and is covered with a rain cap. The chimney top is sealed with a flashing or steel plate that supports the weight of the chimney liner. The installation must conform to the liner's manufacturer's instructions.

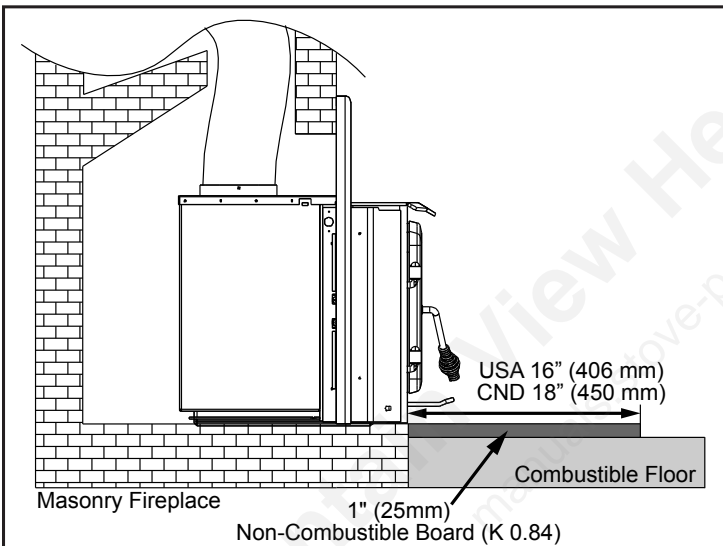
This fireplace must be installed with a continuous liner of 6" diameter (CANADA ONLY) extending from the fireplace insert to the top of the chimney. The chimney liner must conform to the class 3 requirements of ULC-S635 Standard for Lining Systems for Existing Masonry or Factory-Built Chimneys and Vents, or ULC-S640 Standard for Lining Systems for New Masonry Chimneys.

**(IN U.S.A.)** The appliance when installed, must follow local building codes, in the absence of local building codes, with the current NFPA 211 Standard for Chimneys, Fireplaces, Vents, and Solid Fuel-Burning Appliances.

# Installation



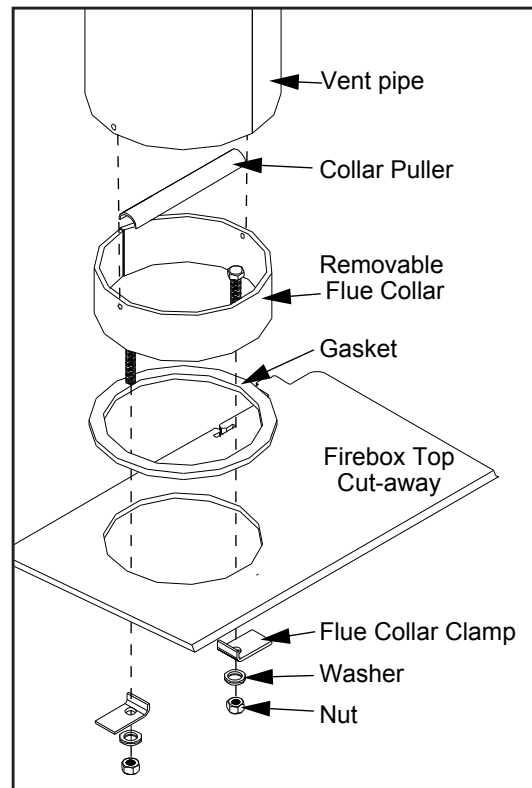
**Figure 38: Insert Installation into existing fireplace without hearth.**



**Figure 39: Insert Installation into existing floor level masonry fireplace.**

The flue collar is removable for installations into fireplaces with low openings.

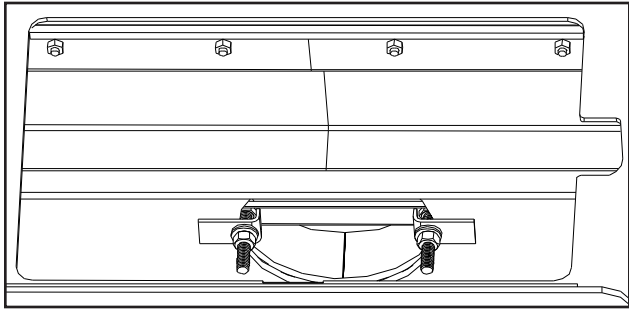
- a) Remove the rear two (2) secondary air tube and C-Cast Ceramic Baffles, if installed (see C-CAST CERAMIC BAFFLE INSTALLATION). Remove the secondary air tubes by placing a screwdriver (any style except flat head) into one of the air holes and tapping it with a hammer/mallet to the left.
- b) Unscrew the two (2) nuts on top of the inside of the firebox, using a  $\frac{9}{16}$ \"/>



**Figure 40: Attaching removable flue collar.**

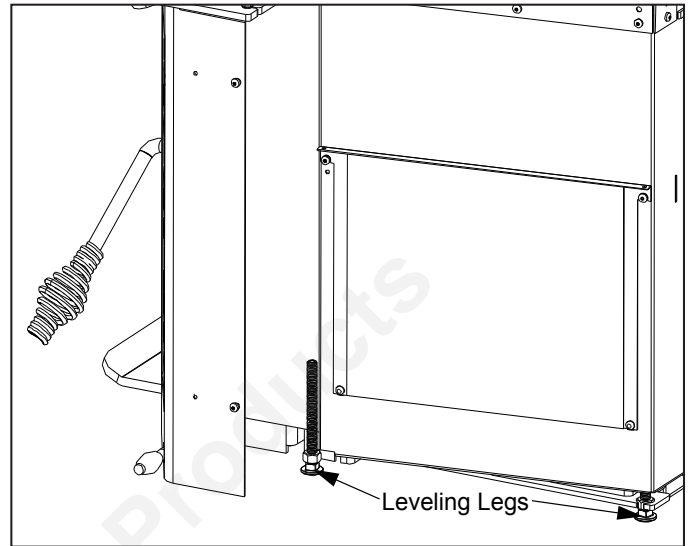
- f) Place the Collar Puller, over the two bolts of the Flue Collar and pull it into place (see Figure 41). Ensure that the bolts are to the left and right of the hole. If they are not, the front secondary air tube will need to be removed in order to install or remove the C-Cast Ceramic Baffles.
  - g) Slide the Flue Collar Clamps and washers over the bolts, and screw the nuts back onto the bolts.
  - h) Re-install C-Cast Ceramic Baffles and the rear two (2) secondary air tube (see C-CAST CERAMIC BAFFLE INSTALLATION).
- 3.** There are four (4) leveling legs (shown in Figure 42), two (2) on each side, one at the back and one at the front of the unit. Adjust the legs using a  $\frac{3}{8}$ \"/>

# Installation



**Figure 41: Removable flue collar in place.**

**4.** Screw or nail the provided metal plate with the wording "THIS FIREPLACE HAS BEEN ALTERED TO ACCOMMODATE A FIREPLACE INSERT AND SHOULD BE INSPECTED BY A QUALIFIED PERSON PRIOR TO THE RE-USE AS A CONVENTIONAL FIREPLACE." to the inside of the fireplace.



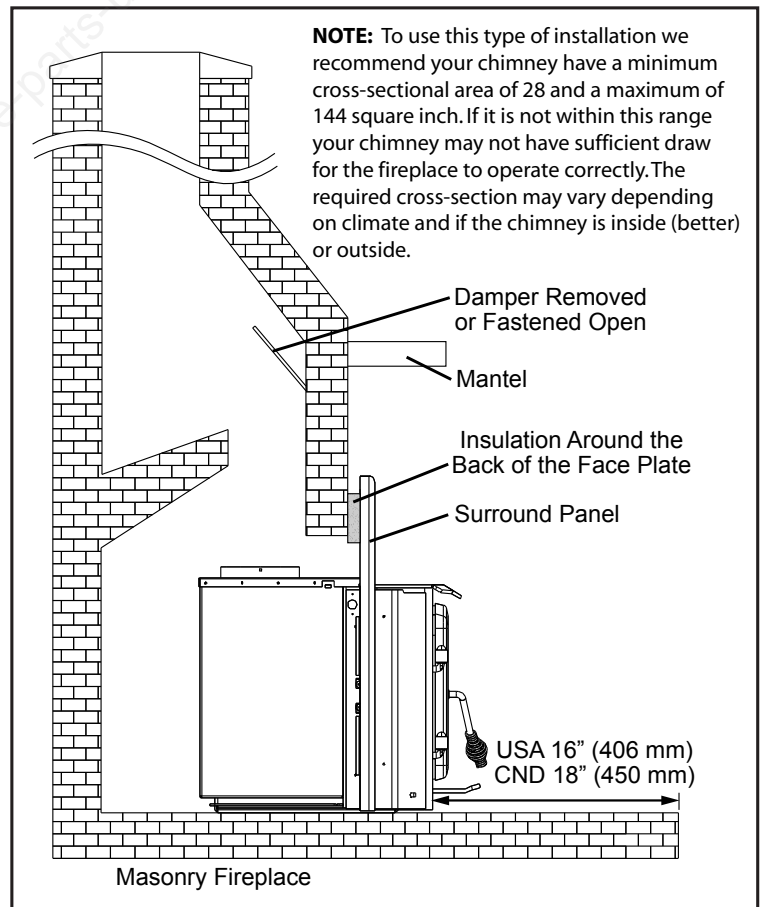
**Figure 42: Leveling legs.**

## **SURROUND PANEL SEALED INSTALLATION FOR USA ONLY - INSERT:**

**Note:** Though this is an allowable installation, we do not recommend it because of the possibility of poor draft, and therefore poor stove performance.

Before starting this type of installation refer to INSTALLATION - MASONRY FIREPLACE INSTALLATION - INSERT for additional information. For clearances refer to SPECIFICATIONS - CLEARANCES TO COMBUSTIBLES - 1200 INSERT and SPECIFICATIONS - CLEARANCES TO COMBUSTIBLES - 1700 INSERT.

1. Before the face plate is installed onto the unit, glue a 6" (150mm) wide R20 fiberglass insulation strip around the perimeter of the back of the panels using RTV silicon or stove gasket cement. When the face plate is installed onto the unit the insulation must overlap the fireplace opening to form a seal between the masonry fireplace and the unit's face plate. Let the silicon or cement dry.
2. To make the installation of the surround panel onto the unit easy have the unit 6" (150mm) out from the fireplace,
3. Push the insert into the fireplace, allowing the insulation to form a seal between the panels and the fireplace. Tuck any exposed insulation behind the face plate.



**Figure 43: Installation with Surround Sealed.**

# Installation

## INSTALLATION USING A BLOCK-OFF PLATE FOR USA ONLY - INSERT:

If this unit is to be installed into a masonry fireplace or a zero-clearance fireplace with a direct connection you must install a non-combustible seal-off device such as a block-off plate or damper adapter. By installing a block-off plate you seal the chimney, ensuring that no smoke enters the home and sealing the chimney to encourage draft. To construct a block-off plate follow the below steps.

1. Determine where the block-off plate will be installed; above the top of the firebox (it must be high enough to easily install the connection pipe) but below the damper area. Look for a location that is level and in an area where the plate can be mounted easily.

The measurement that will be needed are as followed (refer to Figure 44 and 45):

- A - The width at the front of the firebox at the height where the block-off plate will be installed.
- B - The width at the back of the firebox at the height where the block-off plate will be installed.
- C - Then depth of the block-off needed (the distance between A and B).
- D - The distance of the center of the flue to the front of the fireplace opening. Refer to Step 3.

**NOTE:** In general masonry fireplaces have square fireboxes while zero-clearance (metal) fireplaces have domed firebox tops. Therefore zero-clearance block-off plates may be more difficult to install. Insulation may be used around the edges to simplify sealing the plate.

2. Create a cardboard template of the dimensions with 2" (51 cm) wide flanges on each side. These flanges will be used to mount the block-off plate to the inside of the firebox. Bend the flanges downwards on the template and place it inside the fireplace. Continue on if the template fits correctly in its planned location. If the template does not fit, make a new template with the required corrections until it does fit correctly.
3. With the template in place, mark the location for the center of the flue pipe when the unit is in place. If installing a 1200 the distance will be approximately 8 $\frac{1}{4}$ " or 9 $\frac{15}{16}$ " back from the fireplace opening. If installing a 1700 the distance will be approximately 12 $\frac{3}{4}$ " or 14 $\frac{7}{16}$ " back from the fireplace opening. Remove the template and cut a 6 $\frac{1}{4}$ " diameter hole centered on this mark.
4. Using the template make the block-off plate of 24 gauge or thicker steel. Drill two (2) holes in each flange for mounting the plate.

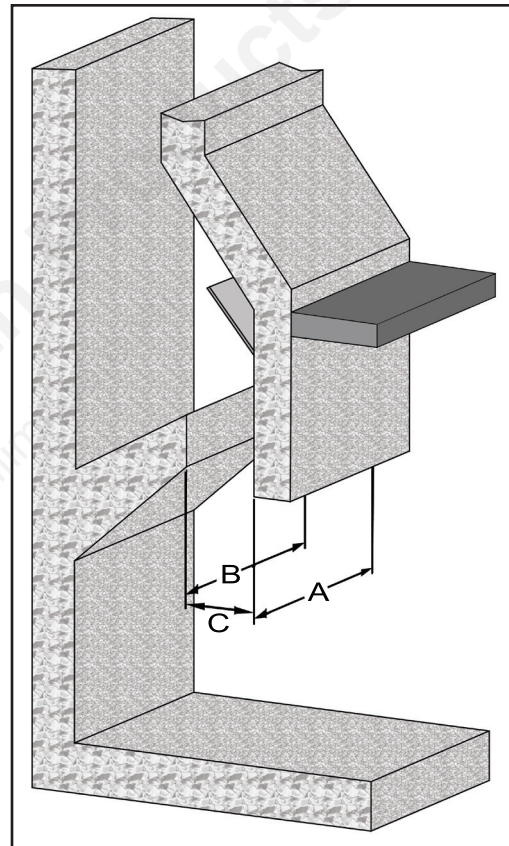


Figure 44: 3D of Dimensions needed from the Fireplace.

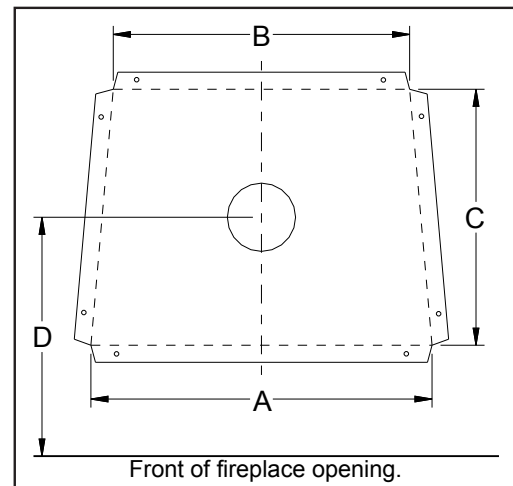
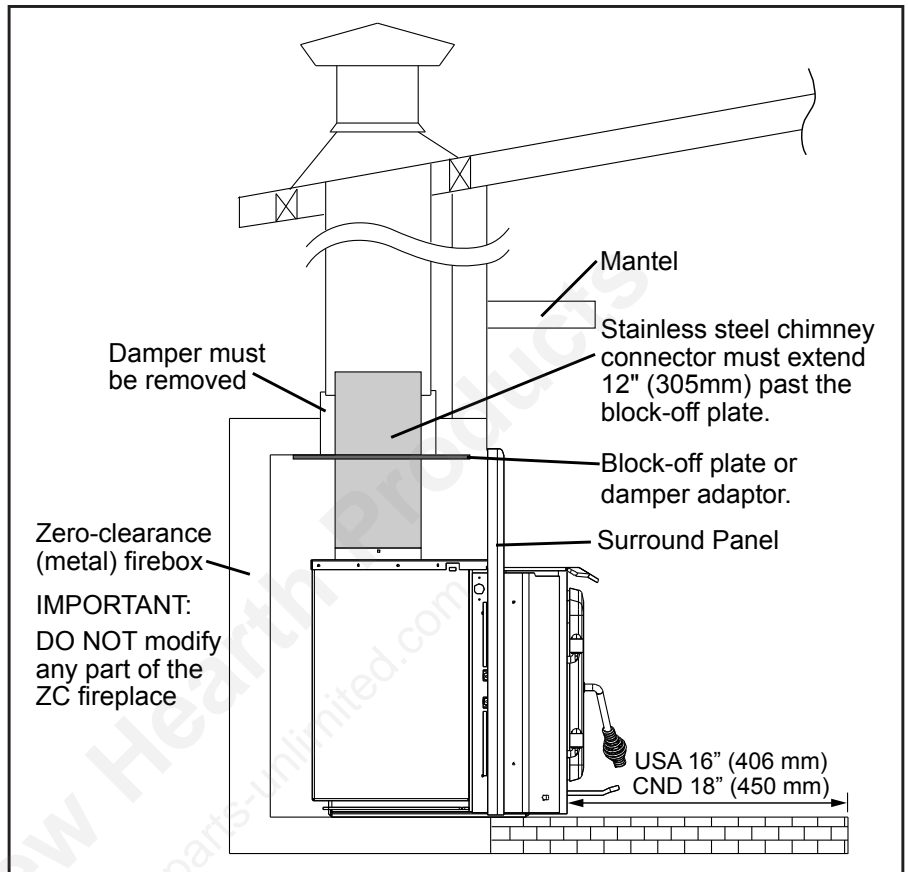


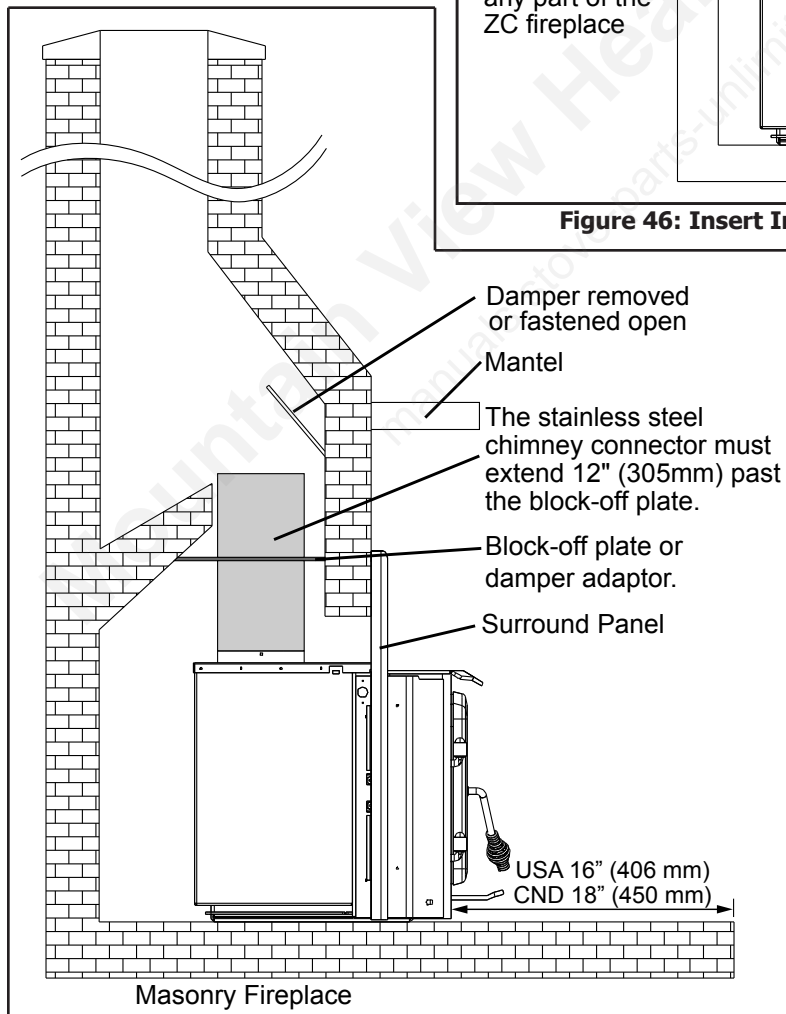
Figure 45: Layout of the Block-Off Plate.

# Installation

5. Mount the block-off plate using masonry screws in a masonry fireplace and sheet metal screws on a zero-clearance fireplace (screws need only be long enough to penetrate the first layer of metal).
6. Insulate the block-off plate using high - temperature fiberglass insulation and furnace cement.



**Figure 46: Insert Install into a Zero-Clearance Fireplace.**



**Figure 47: Masonry Fireplace Direct Connection Insert Install.**

7. After installing the unit into place and the pipe through the block-off plate, use high - temperature fiberglass insulation and furnace cement to seal any gaps between the pipe and block-off plate (allow the cement to dry for at least 24 hours before burning).

Before starting this type of installation refer to **INSTALLATION - MASONRY FIREPLACE** **INSTALLATION - INSERT** for additional information. For clearances refer to **SPECIFICATIONS - CLEARANCES TO COMBUSTIBLES - 1200 INSERT** and **SPECIFICATIONS - CLEARANCES TO COMBUSTIBLES - 1700 INSERT**. See Figure 46 and 47 for examples of a masonry fireplace and a zero-clearance fireplace with a direct connection

# Installation

## MODEL 1200 BRICK PLACEMENT & TUBE LOCATIONS:

COMPLETE THE STOVE AND SMOKE PIPE INSTALLATION BEFORE PLACING THESE BRICKS.

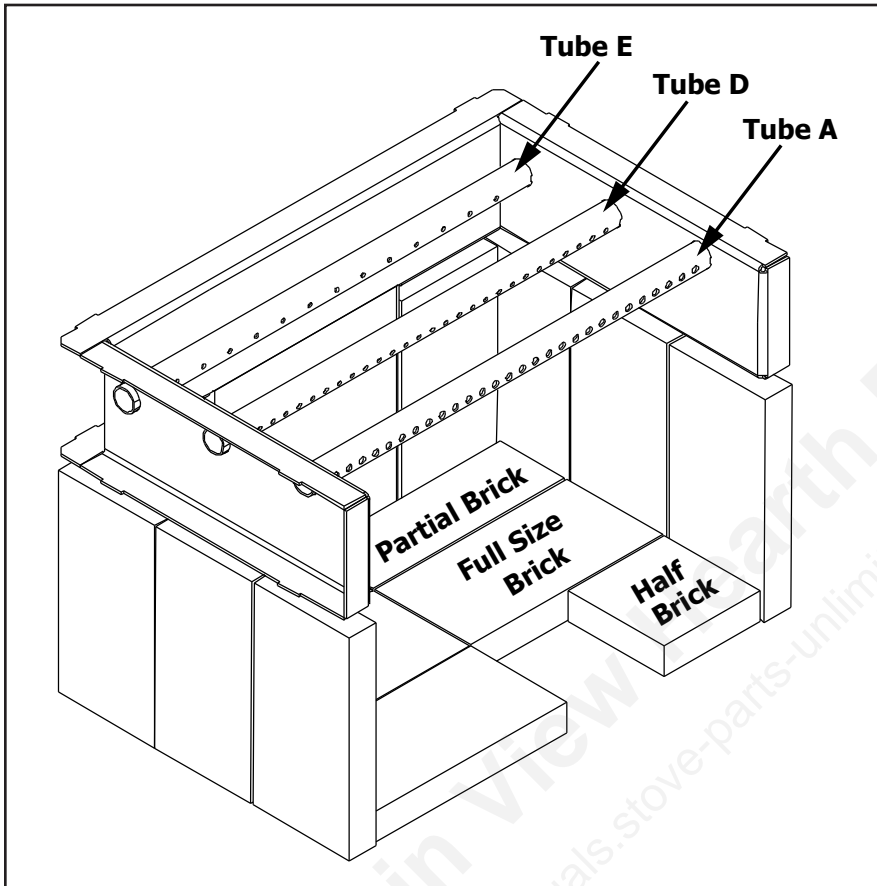


Figure 48: Brick Placement for 1200 shown with Secondary Air Channel and Tubes.

1. Place the three (3) full size bricks along each side of the firebox and one (1) full size brick on either side of the back of the firebox.
2. To place the floor bricks, lay the two (2) partial bricks along the back of the floor. Then on the left, lay two (2) full size bricks and on the right, lay a full size brick in the center and the half brick in the front (for the ash dump). The spaces between the bricks will soon fill with ashes.

When replacing bricks, use only pumas type fire bricks.

### **TOTAL BRICKS:**

- |                       |  |
|-----------------------|--|
| 11 - Full size bricks | 9" long x 4.5" wide x 1.25" thick<br>(22.9 cm long x 11.4 cm wide x 3.2 cm thick)        |
| 2 - Partial bricks    | 9" long x 3" wide x 1.25" thick<br>(22.9 cm long x 7.6 cm wide 3.2 cm thick)             |
| 1 - Half brick        | 4.5 " long x 4.5" wide x 1.25" thick<br>(11.43 cm long x 11.43 cm wide x 3.175 cm thick) |

**Removing Air Tube:** If a secondary air tube needs to be removed, place a screwdriver (any style except flat head) into one of the air holes and tap it with a hammer/mallet to the left until the right end of the tube is freed. To installation a secondary air tube reverse the above instructions.

**IMPORTANT:** All secondary air tubes must be in place for proper operation.

# Installation

## MODEL 1700 BRICK PLACEMENT & TUBE LOCATIONS:

COMPLETE THE STOVE AND SMOKE PIPE INSTALLATION BEFORE PLACING THESE BRICKS.

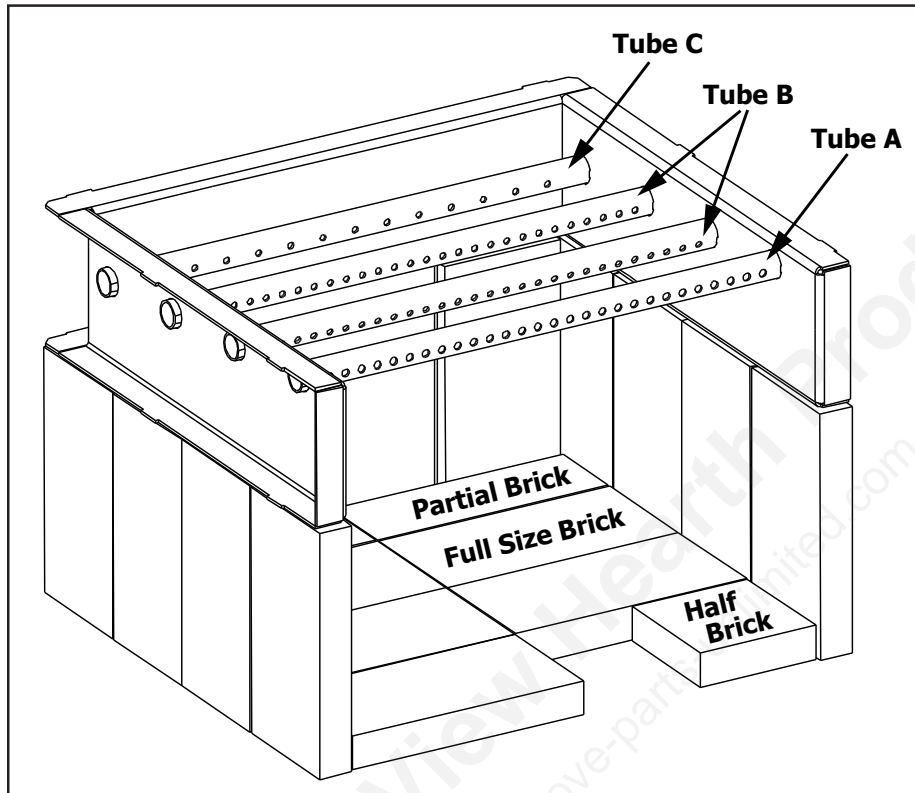


Figure 49: Brick Placement for 1700 shown with Secondary Air Channel and Tubes.

1. Place the four (4) full size bricks along each side of the firebox and one (1) full size brick on either side of the back of the firebox.
2. To place the floor bricks, lay the two (2) partial bricks along the back of the floor. Then on the left, lay three (3) full size bricks and on the right, lay two (2) full size bricks in the center and the half brick in the front (for the ash dump). The spaces between the bricks will soon fill with ashes.

**When replacing bricks, use only pumas type fire bricks.**

### **TOTAL BRICKS:**

- |                       |  |
|-----------------------|--|
| 15 - Full size bricks | 9" long x 4.5" wide x 1.25" thick<br>(22.9 cm long x 11.4 cm wide x 3.2 cm thick)        |
| 2 - Partial bricks    | 9" long x 3" wide x 1.25" thick<br>(22.9 cm long x 7.6 cm wide 3.2 cm thick)             |
| 1 - Half brick        | 4.5 " long x 4.5" wide x 1.25" thick<br>(11.43 cm long x 11.43 cm wide x 3.175 cm thick) |

**Removing Air Tube:** If a secondary air tube needs to be removed, place a screwdriver (any style except flat head) into one of the air holes and tap it with a hammer/mallet to the left until the right end of the tube is freed. To installation a secondary air tube reverse the above instructions.

**IMPORTANT:** All secondary air tubes must be in place for proper operation.

# Installation

## DOOR INSTALLATION:

Please inspect all components for damage. If damage has occurred, please contact the courier company, dealer, or distributor and have components repaired or replaced before installation. Remove the door from the packaging. Inspect the door assembly for damage.

1. Install door handle as shown in Figure 50.

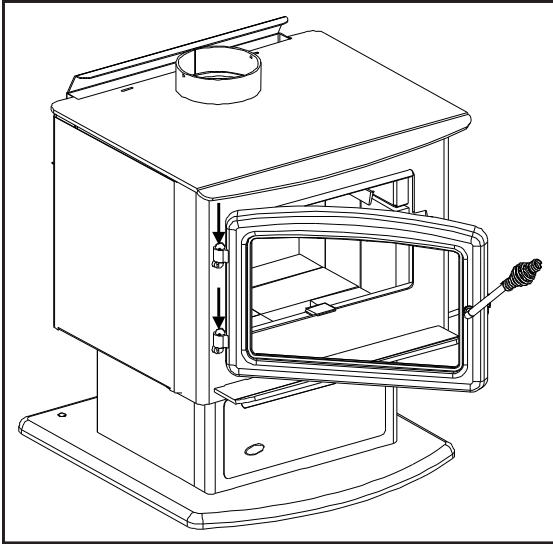


Figure 51: Installation Door onto Unit.

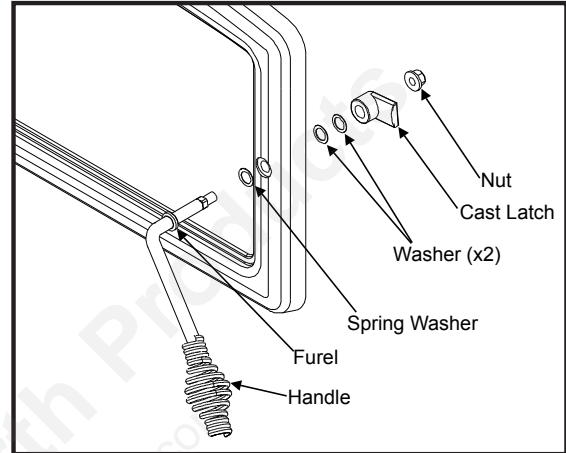


Figure 50: Installation Door Handle Hardware.

2. Place the door assembly on the two (2) hinge pins mounted on the body of the unit. Refer to Figure 51.
3. Open and close the door, applying pressure down, to ensure the door assembly is properly seated on the hinges. Refer to Figure 52.

4. Place a hinge cap on each of the pins. **WARNING:** The hinge caps are removable, therefore please keep out of the reach of children under 3
5. Please clean all fingerprints off of all plated surfaces, with denatured alcohol on a soft cloth, before firing the unit each time. Fingerprints, etc., can become permanently etched into the plating if not removed before operating the stove.

**NOTE:** When the door is installed on the unit and the handle closed, ensure that the spring handle is at the 4:00 position.

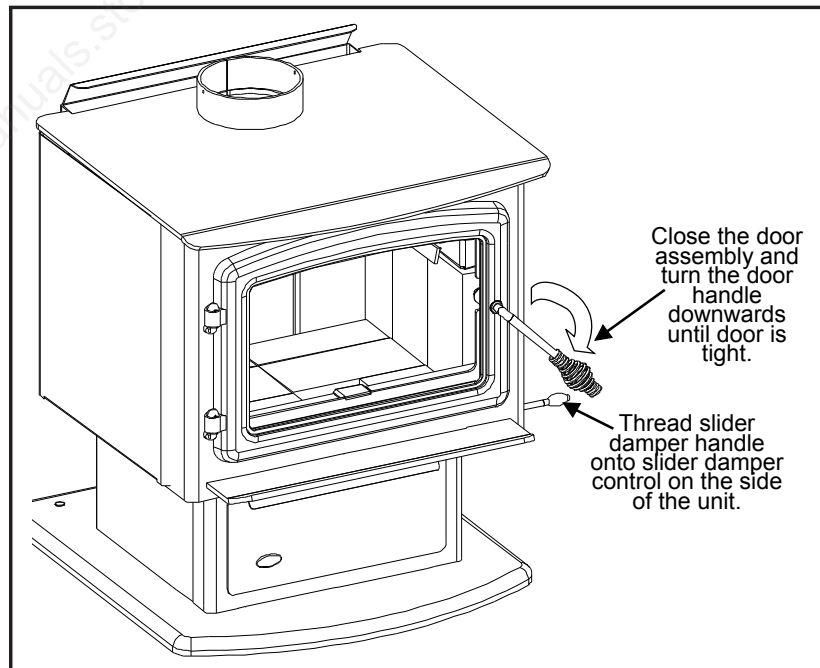


Figure 52: Closing Door.

**DO NOT USE DOOR IF GLASS IS BROKEN.**

# Installation

## C-CAST CERAMIC BAFFLE INSTALLATION:

1. Slide the right C-Cast Ceramic Baffle in over the secondary air tubes at the top of the firebox. The tab must be on the top and pointing towards the center and the smooth side is to face down.
2. Hook the outside edge of the baffle over the top of the secondary air chamber. This will make room to for the installation of the left C-Cast Ceramic Baffle.
3. Slide the left C-Cast Ceramic Baffle in over the secondary air tubes. The tab must be on the bottom and pointing towards the center and the smooth side is to face down.
4. Pull the baffles together in the middle so the right tab rests on top of the left tab. Ensure the baffles are flush with the back and both sides of the firebox.

**Note for insert models only:** If the bolts on the flue collar are not to the left and right of the hole, the front secondary air tube will need to be removed in order to install or remove the C-Cast Ceramic Baffles. To remove the front secondary air tube place a screwdriver (any style except flat head) into one of the air holes and tapping it with a hammer/mallet to the left.

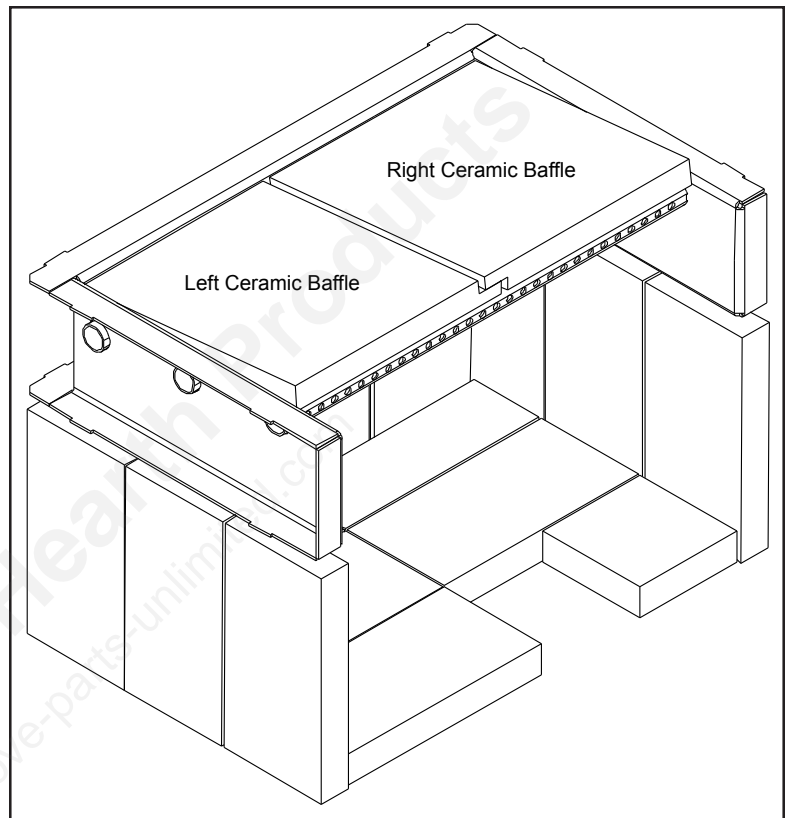


Figure 53: Installation of C-Cast Ceramic Baffle.

## FAN WIRING DIAGRAMS:

This appliance, when installed, must be electrically connected and grounded in accordance with local codes or in the absence of local codes, with the current CSA C22.1 CANADIAN ELECTRICAL CODE. Part 1, SAFETY STANDARDS FOR ELECTRICAL INSTALLATIONS, or THE NATIONAL ELECTRICAL CODE ANSI / NFPA 70 in the USA.

**CAUTION** Label all wires prior to disconnection when servicing controls. Wiring errors can cause improper and dangerous operation. Verify proper operation after servicing.

**DO NOT** oil the fan bearings.

**DO NOT** cut or remove the grounding prong from the plug.

**DO NOT** route the power cord beneath the heater.

**WARNING:** This appliance is equipped with a three-prong (grounding) plug for your protection against shock hazard and should be plugged into a properly grounded three-prong receptacle.

# Installation

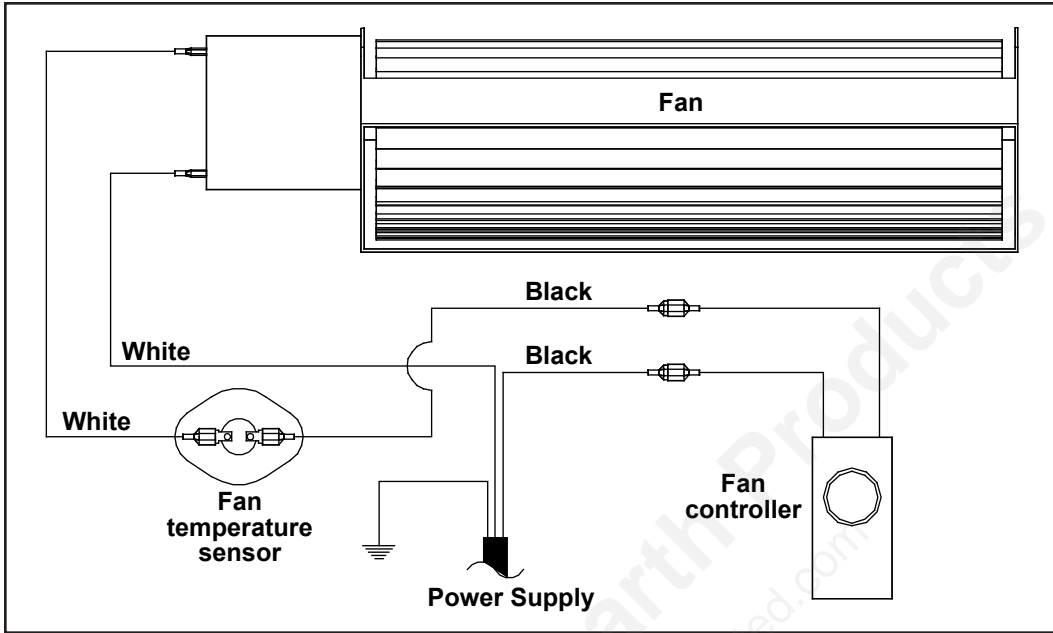


Figure 54: Freestanding Fan Kit Wiring Diagram.

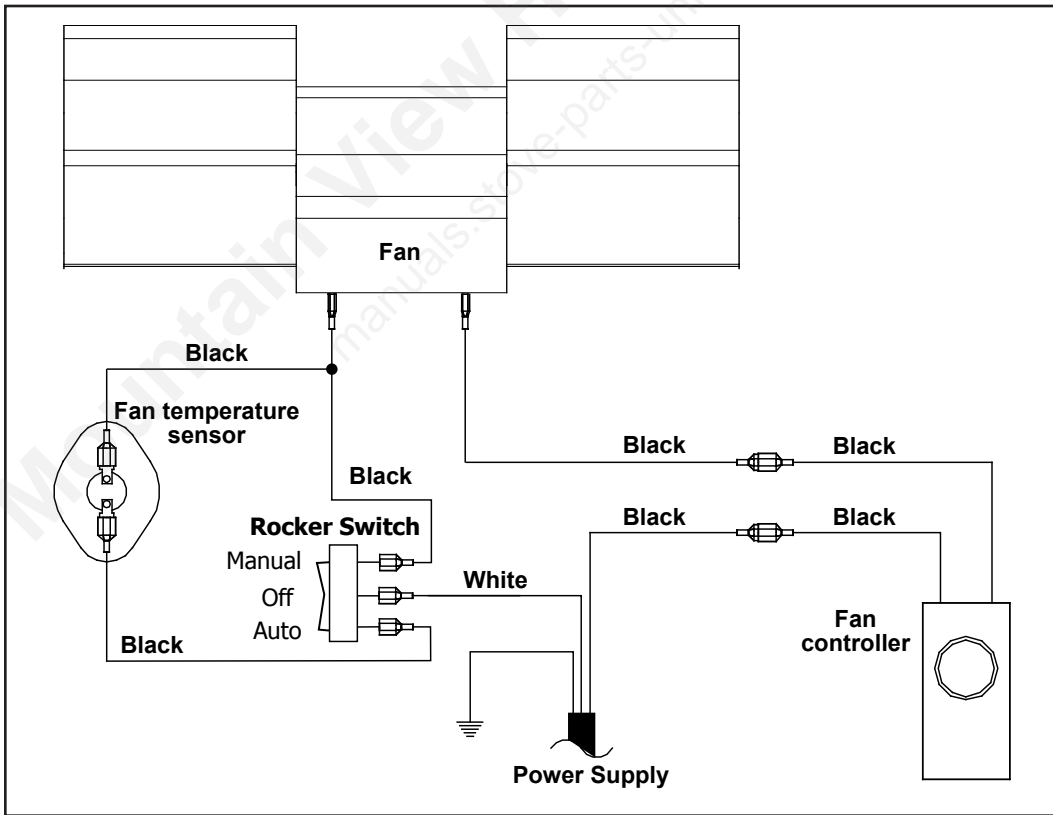


Figure 55: Fireplace Insert Fan Kit Wiring Diagram.

# Installation

## OPTIONAL FAN INSTALLATION - FREESTANDING:

Refer to FAN WIRING DIAGRAM before installing your optional fan kit.

1. Remove the fan assembly from the box and inspect for any damage to the assembly. If damage is noticed call your dealer, distributor or courier company and have components replaced before installing kit.
2. Remove the knock out at the bottom of the back panel of the appliance by using a flat head screwdriver as a lever, hook the tip of the screwdriver under the panel beside the tabs and push the panel out.
3. Install two (2) T-20 screws into the top two (2) holes. Place the blower assembly over these two (2) screws.
4. Ensure the temperature sensor will touch the unit when mounted. If it does not touch, adjust the sensor so it does. Tighten the two (2) top screws and install the two (2) bottom screws and tighten.
5. Plug the fan assembly in and check for proper operation.

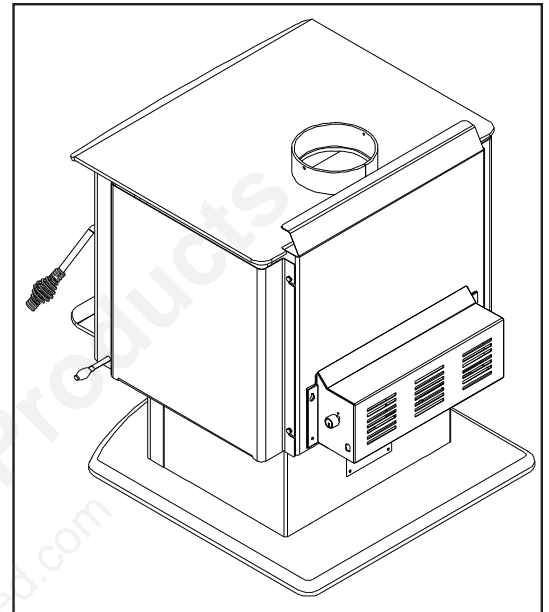


Figure 56: Back View of Freestanding Unit with Fan Kit.

## FAN REMOVAL - INSERT:

The Insert comes with the fan assembled installed in the left shroud.

- 1) Disconnect all electrical connections for the fan kit.
- 2) Remove the four (4) 1/2" hex head screws that hold the fan mounting plate to the shroud.
- 3) Remove the fan control knob and nut from the front of the shroud and pull the controls out the back.
- 4) Install the fan kit into the new shroud by following reversing steps 1 to 3. Refer to FAN WIRING DIAGRAM to ensure the fan is reconnected properly.

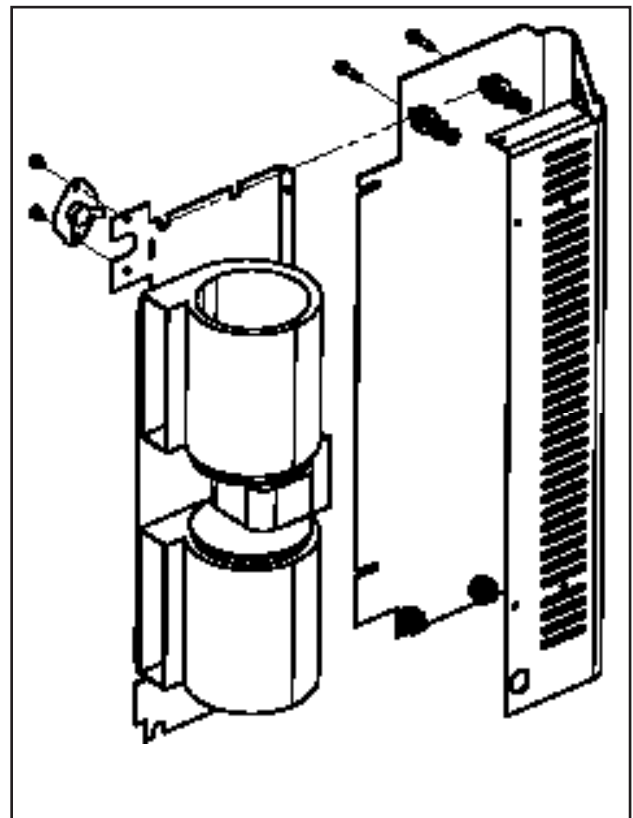


Figure 57: Insert Unit with Fan.

# Installation

## FIREPLACE POKER HANGERS - FREESTANDING:

A fireplace poker can be hung at the back of the unit, on either side, when not in use.

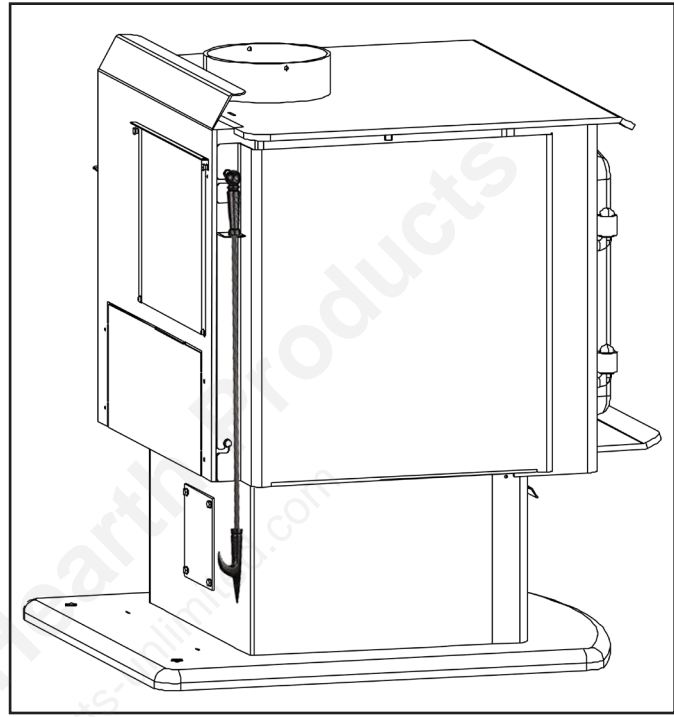


Figure 58: Fireplace poker hanging.

## REMOVAL OF THE SHROUDS - INSERT:

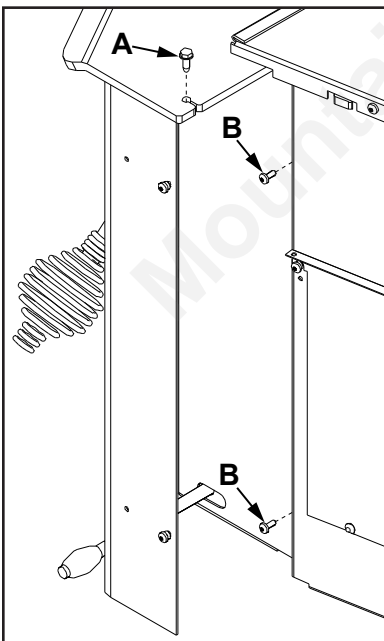


Figure 59: Removal of right Shroud.

1. If the surround panel is installed, remove it by lifting the panel straight up then out.
2. For the right shroud, twist the handle on the air control clockwise to remove it from the rod.
3. Pull unit forward a few inches, if possible.
4. Remove the screw, using a  $\frac{5}{16}$ " socket or wrench, that goes down through the firebox top into a bent over tab at the top of the shroud (see A in Figure 58).
5. To remove the shrouds, loosen the two (2) torx T-20 screws that hold the shroud to the unit (See B in Figure 58). Pull the shroud forward past the T-20 screws (approximately  $\frac{3}{4}$ " [2cm]), then out to the side.
6. To install the shroud, follow steps 1 through 5 in reverse order. Ensure the shrouds are hooked behind both screws on either side.

# Installation

## INSTALLATION OF THE SURROUND PANEL - INSERT:

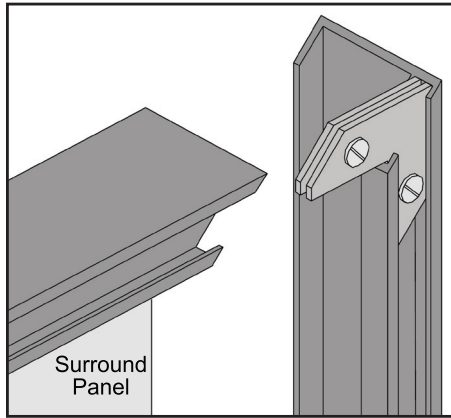


Figure 60: Corner brackets for trim.

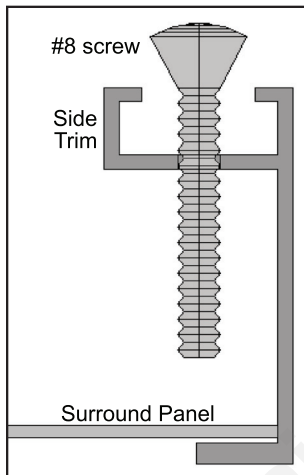


Figure 62: Screw to hold the trim against the surround.

### Installation of Trim:

The trim set for your surround panel must be installed before installing the surround panel onto the unit, if not already done.

1. Attach one side trim to the top trim, using a corner bracket (see Figure 60) to secure pieces together. There are two (2) main pieces to each corner bracket (see Figure 61). When installing the corner pieces into the trim, the "B FACE" sides must face each other and the screw heads are to face out. With the bracket in place and

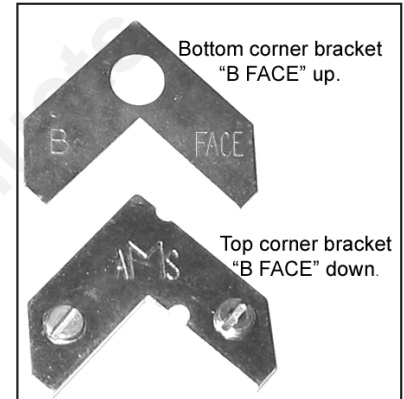


Figure 61: Two pieces of corner bracket.

the top and a side trim snug together, use a flat head screwdriver to turn the two (2) screws in the bracket to tighten it into the trim.

3. Slide the two (2) attached trim pieces onto the surround panel.
4. Attach the other side trim piece to the top trim, using the same method used in Step 1.
5. Place the second side of the trim on the surround panel in the same manner used on the first side and secure in the same manner.
6. On the side trims, there are holes 2" (50 mm) from either end. Use a Phillips screwdriver to place a #8 screw 1 1/4" long in each hole and tighten (refer to Figure 62). This will keep the trim tight against the surround.

### Installation of Surround Panel onto Unit:

There are two (2) hooks on either side of the inside of the panel. Line up the openings on the hooks with the screws on the outside of either shroud (see Figure 63). Push the surround in and push it down into place.

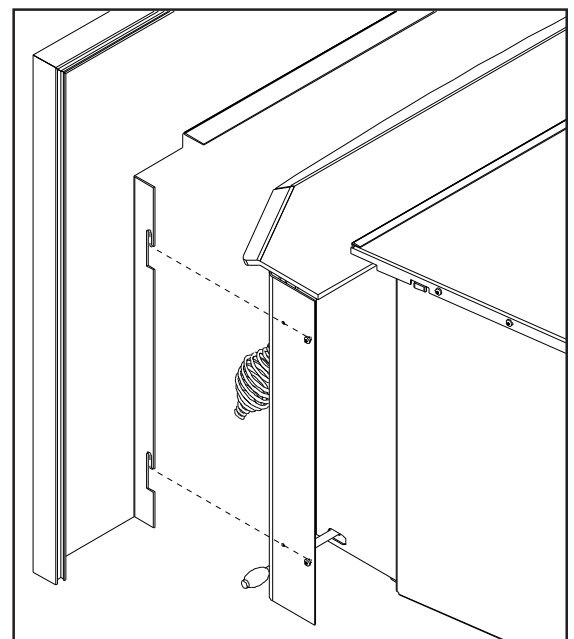


Figure 63: Installation of Panel.

# Rating Label



**DO NOT REMOVE THIS LABEL / NE PAS ENLEVER CETTE ÉTIQUETTE**  
**LISTED SOLID FUEL SPACE HEATER / IDENTIFIÉ COMME UN FOYER A COMBUSTIBLE SOLIDE**

Serial No. / No. De Série:



Model / Modèle:  Kodiak 1200 FS  Kodiak 1200 Insert  Kodiak 1700 FS  Kodiak 1700 Insert  
 Report/Rapport no.  268-S-04-2  268-S-05-2  268-S-01-2  268-S-06-2

Models 1200 and 1700 Freestanding units suitable for use in mobile homes.  
 Tested to ULC-S627-00, ULC-S628-93, & UL-1482.  
 US Environmental Protection Agency, certified to comply July 1, 1990, particulate emission standards.

Modèles 1200 et 1700 items indépendants utilisables dans les maisons mobiles.  
 Testé selon ULC-S627-00, ULC-S628-93, & UL-1482.  
 États-Unis Environmental Protection Agency, a certifié pour conformer au Juillet 1, 1990, les normes de particules d'émission.

Install and use only in accordance with the manufacturers installation and operating instructions. Contact local building or fire officials about restrictions and installation inspection in your area. Use 6" (150 mm) diameter minimum 24 MSG black or 25 MSG blue steel connector listed factory-built chimney suitable for use with solid fuels or masonry chimney. See local building code and manufacturer's instructions for precautions required for passing a chimney through a combustible wall or ceiling. Do not pass chimney connector through a combustible wall or ceiling. Minimum clearances from horizontal connector and ceiling 18" (455 mm) do not connect this unit to a chimney flue servicing another appliance U.S.A. Only.

Ce dispositif doit être installé et opéré conformément aux instructions d'installation et d'opération du fabricant contactez le service local de l'inspection des bâtiments ou l'officier pompier concernant les restrictions et l'inspection d'installation dans votre localité. Utiliser des connecteurs répertoriés 24 MSG noir ou 25 MSG en acier bronzée de 6" (150 mm) minimum, et une cheminée de fabrication industrielle, appropriée pour utilisation avec des combustibles solides ou avec une cheminée de maçonnerie. Vérifiez les précautions à prendre exigées par le code local et les instructions du fabricant concernant les conditions pour passer la cheminée à travers un mur ou un plafond combustible. Ne pas installer le connecteur de la cheminée à travers un mur ou un plafond combustible. Espaces libres minimum d'un connecteur horizontal et plafond sont 18" (455 mm) ne pas connecter ce dispositif à un conduit de cheminée qui sert déjà un autre dispositif États-Unis seulement.

Minimum Clearances to Combustible Materials / Espaces Libres Aux Matériaux Combustibles.	Single wall pipe / Seul connecteur de mur		**Double wall pipe / Double connecteur de mur		Double wall pipe with efficiency shield (Flat top model only) / Double connecteur de mur avec la protection d'efficacité (Le modèle plat seulement)		Top vent out back wall with min. 24" (610mm) vertical rise; double wall pipe / Donné vent hors de la paroi arrière avec le min. 24" (610 mm) l'ascension verticale; double connecteur de mur		
	Model / Modèle	1200	1700	1200	1700	1200	1700	1200	1700
A Sidewall to unit / De la paroi latérale au dispositif		13" (330 mm)	20" (508 mm)	13" (330 mm)	13" (330 mm)	13" (330 mm)	13" (330 mm)	14" (356 mm)	11" (279 mm)
B Backwall to unit / De la paroi arrière au dispositif		11" (279 mm)	12" (305 mm)	10" (254 mm)	10" (254 mm)	8" (203 mm)	7" (178 mm)	12" (305 mm)	13" (330 mm)
C Adjacent wall to corner of unit / De la paroi adjacente au coin de dispositif		9" (229 mm)	10" (254 mm)	8" (203 mm)	8 1/2" (216 mm)	6 1/2" (165 mm)	6" (152 mm)		
D Sidewall to connector / De la paroi latérale au connecteur		22" (559 mm)	29" (737 mm)	22" (559 mm)	22" (559 mm)	22" (559 mm)	22" (559 mm)	23" (584 mm)	16" (381 mm)
E Backwall to connector / De la paroi arrière au connecteur		14" (356 mm)	15" (381 mm)	13" (330 mm)	13" (330 mm)	11" (279 mm)	10" (254 mm)	15" (381 mm)	15" (406 mm)
F Adjacent wall to corner of unit / De la paroi adjacente au coin de connecteur		17 1/2" (445 mm)	18 1/2" (470 mm)	16 1/2" (419 mm)	17" (432 mm)	15" (381 mm)	14 1/2" (368 mm)		
G † Front of door opening to edge of hearth / Le devant d'ouverture de porte au bord de coussin de coeur						USA 16" (406 mm)	CND 18" (450 mm)		
H † Side/back of unit to edge of hearth / Le latérale/arrière de dispositif au bord de coussin de coeur						USA 6" (152 mm)	CND 8" (200 mm)		

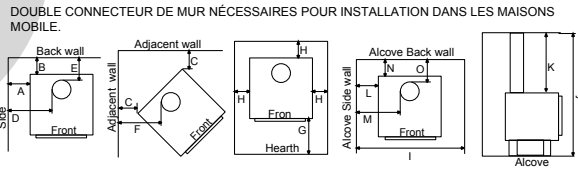
CAUTION: An uninsulated smoke pipe must not pass through an attic, roof space, closet or similar concealed space, or through a floor, ceiling, wall, or partition, or any combustible construction.  
 † FLOOR PROTECTION: If a stove is installed on a combustible floor, it must have a pedestal attached and be on a NON COMBUSTIBLE hearth pad

MISE EN GARDE: Un unisulés tuyau de fumée ne doit pas passer par un grenier, un espace de toit, le placard ou l'espace dissimulé similaire, ou par un plancher, un plafond, un mur, ou une cloison, ou une construction combustible.  
 † PROTÉGER LE PLANCHER: Si une cuisinière est installée sur un sol combustible, il doit avoir un piédestal attaché et être sur un coussin non-combustible.

\* ALL CLEARANCES CAN BE REDUCED WITH SHIELDING ACCEPTABLE TO THE LOCAL AUTHORITY.  
 \*\*DOUBLE WALL:  
 IN CANADA: Any ULC-S629 listed chimney system with the accompanying listed single wall vent connector.  
 IN U.S.A.: Any UL 103 HT listed chimney system with the accompanying listed single wall vent connector.  
 IN CANADA: Any ULC-S629 listed chimney system with the accompanying listed double wall vent connector.  
 IN U.S.A.: Any UL 103 HT listed chimney system with the accompanying listed double wall vent connector.  
 DOUBLEWALL IS REQUIRED FOR MOBILE HOME INSTALLATIONS.

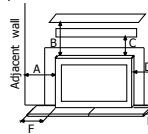
TOUS "ESPACES LIBRES AUX MATÉRIELX COMBUSTIBLES" PEUVENT ÊTRE RÉDUITS AVEC PROTÉGÉANT ACCEPTABLE À L'AUTORITÉ LOCALE.  
 Seul Connecteur de Mur:  
 Au Canada: Certifiée seul connecteur de mur avec toute systèmes de cheminée listée sous ULC-S629.  
 Aux États-Unis: Certifiée seul connecteur de mur avec toute systèmes de cheminée listée sous UL 103 HT.  
 \*\*Double Connecteur de Mur:  
 Au Canada: Certifiée double connecteur de mur avec toute systèmes de cheminée listée sous ULC-S629.  
 Aux États-Unis: Certifiée double connecteur de mur avec toute systèmes de cheminée listée sous UL 103 HT.

**Alcove (Use double wall pipe) / Alcôve (Utilisant le double connecteur de mur)	Model/Modèle 1200	Model/Modèle 1700
I Total width / Largeur totale	55" (1397 mm)	51" (1295 mm)
J Total height / Hauteur totale	78" (1981 mm)	72" (1829 mm)
K Top of stove to ceiling / Le sommet de poêle au plafond	49" (1245 mm)	44" (1118 mm)
L Sidewall to unit / De la paroi latérale au dispositif	15" (381 mm)	13" (330 mm)
M Sidewall to connector / De la paroi latérale au connecteur	24" (610 mm)	22" (559 mm)
N Backwall to unit / De la paroi arrière au dispositif	12" (305 mm)	8" (203 mm)
O Backwall to connector / De la paroi arrière au connecteur	15" (381 mm)	11" (279 mm)
P Maximum Depth / Profondeur maximum	48" (1220 mm)	48" (1220 mm)



Models 1200 and 1700 inserts may be installed as an insert in a masonry fireplace. / On peut encastrer les modèles 1200 et 1700 dans un foyer de maçonnerie.

Model / Modèle	1200 FPI	1700 FPI
A: To unshielded side wall	10" (254 mm)	10" (254 mm)
B: To an unshielded 8" (203 mm) mantle	21" (533 mm)	24" (610 mm)
C: To top facing (protruding 3/4" (19 mm) clearance)	17 1/2" (445 mm)	19 1/2" (495 mm)
D: To side facing (protruding 3/4" (19 mm) clearance)	1" (25 mm)	1" (25 mm)
E † From door opening of unit to edge of floor protection	USA 16" (406mm) / CND 18" (450mm)	
F † From side of unit to edge of floor protection	USA 6" (152 mm) / CND 8" (200 mm)	



† FLOOR PROTECTION / PROTÉGER LE PLANCHER:  
 If unit is raised / Si l'appareil est soulevé:  
 0" - 2" (0mm - 51mm); 1" (25mm) non-combustible material with k value = 0.84 or equivalent / 1" (25mm) le matériel incombustible avec k valeur = 0.84 ou équivalent.  
 2" - 8" (51mm - 203mm); 3/2" (13mm) non-combustible material with k value = 0.84 or equivalent / 3/2" (13mm) le matériel incombustible avec k valeur = 0.84 ou équivalent.  
 Greater than/Plus grand que 8" (203 mm) any non-combustible material / n'importe quel type de matériel incombustible.

Operate only with the door and ash pan closed. Only open door to feed fire. For use with solid wood fuels only. Do not use grate or elevate-fire build wood fire directly on hearth. Do not overfire, do not obstruct combustion air openings. If heater or chimney connector glows, you are overfiring. Inspect and clean chimney frequently-under certain conditions of use, creosote buildup may occur rapidly. Keep furnishing and other combustibles well away from heater. Replace glass only with 5 mm thick ceramic glass. Optional component for FS: fan, electrical rating 115V, 60 Hz 1 Amp (Part # EFW-261). **Danger:** Risk of electrical shock. Disconnect power before servicing unit. Route cord away from heater.

L'opération du poêle doit se faire avec la porte et le cendrier fermé. N'ouvrir la porte que pour alimenter le feu. N'utilisez que des combustibles solides. N'employez pas de grille de foyer ou ne surélevez pas le feu. Mettez le bois à brûler directement sur l'âtre. Pour éviter la surchauffe, ne mettez pas trop de bois. N'obstruez pas les ouvertures d'air comburant. Si le poêle ou le connecteur commencent à luire, vous surchauffez le poêle. Inspectez et nettoyez la cheminée souvent. Dans certaines conditions, le créosote peut s'accumuler rapidement. Tenez loin les meubles et d'autres produits combustibles. Ne remplacez le verre qu'avec du verre céramique, 5mm épais. Équipement en option pour un FS: ventilateur caractéristiques assignées 115V, 60 Hz, 1 Amp (pièce # EFW-261) tenez le câble électrique loin du poêle. **Danger:** Le risque de choc électrique. Débrancher le dispositif avant d'entretenir.

**CAUTION:** HOT WHILE IN OPERATION. DO NOT TOUCH. KEEP CHILDREN, CLOTHING AND FURNITURE AWAY. CONTACT MAY CAUSE SKIN BURN. READ NAMEPLATE AND INSTRUCTIONS.



**MISE EN GARDE:** TRÈS CHAUD QUAND ALLUMÉ. NE TOUCHEZ PAS. TENIR LOIS LES ENFANTS, LES VÊTEMENTS ET LES MEUBLES. LE CONTACT PEUT CAUSER DES BRÛLURES. LISEZ ATTENTIVEMENT L'ÉTIQUETTE ET LES INSTRUCTIONS.

MADE IN CANADA / FABRIQUÉ AU CANADA

MANUFACTURED BY / FABRIQUÉ PAR: SHERWOOD INDUSTRIES LTD. VICTORIA BC CANADA



DATE OF MANUFACTURE / DATE DE FABRICATION:

J F M A M J J A S O N D 2007 2008 2009 2010 2011 C-11013

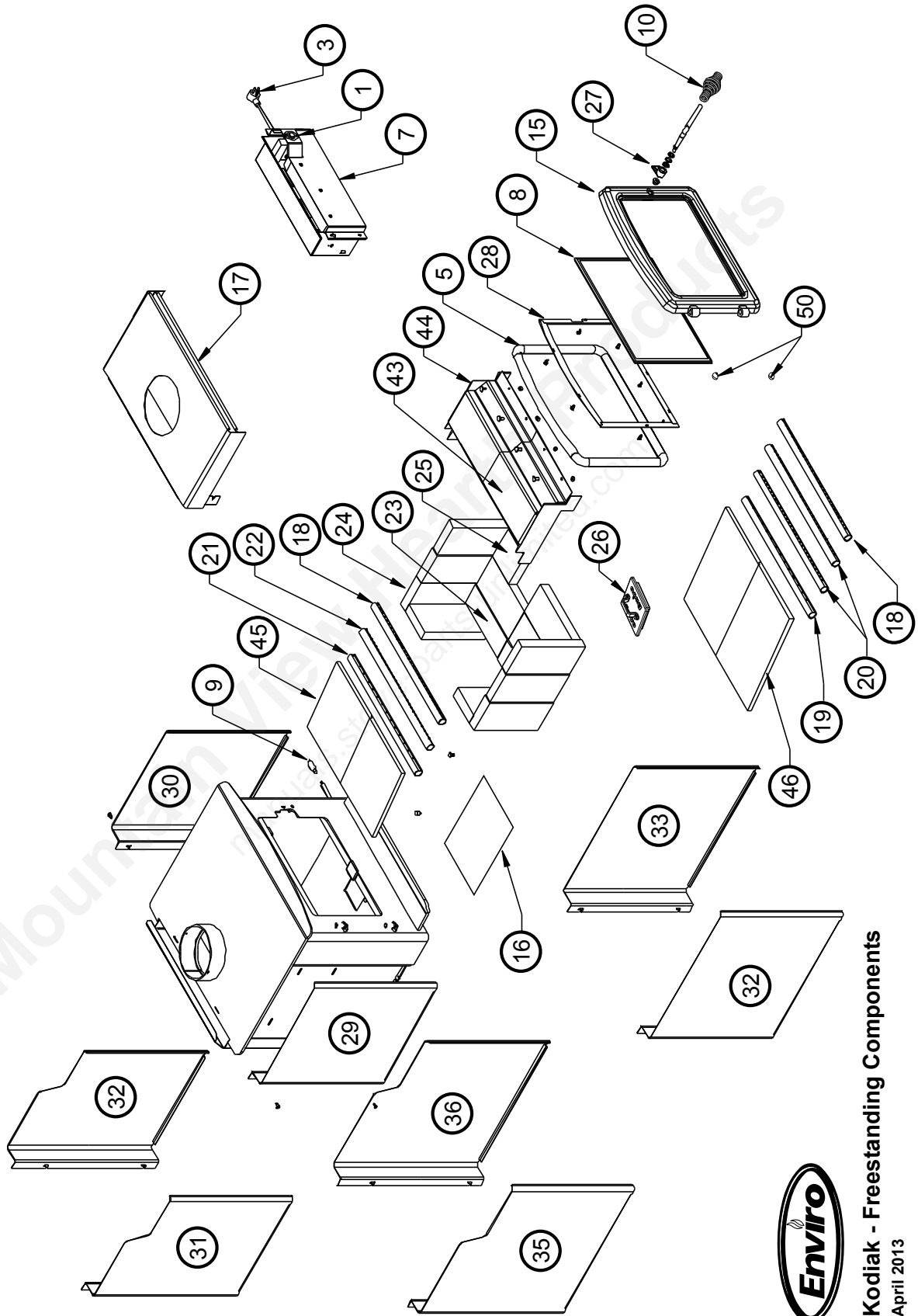
# Parts List

Reference #	Description	Part #
1	120°F (49°C) Ceramic Fan Temperature Sensor	EC-001
2	Insert Burner Switch	EC-026
3	FPI Fan Controller - 115V	EC-039
3	Fan Controller Knob	EC-040
4	Domestic power cord - 115V	EC-042
	Heyco Strain Relief	EC-044
5	Door Gasket - 7 feet (2.13m)	EF-168
	Fresh Air Kit	EF-186
6	One Leg - Painted	EFW-253
6	One Leg - Gold	EFW-254
6	One leg - nickel	EFW-255
7	Freestanding Fan Kit	EFW-261
7	1200 & 1700 Freestanding Convection Blower - 115V	EC-069
8	Glass with Tape	10-000
9	Damper Handle Spring - Brass	EF-191
9	Damper Handle Spring - Nickel	10-005
10	Door Handle Spring - Brass	10-006
10	Door Handle Spring - Nickel	10-007
	Enviro Logo Gel Decal	50-322
11	1200 Leg Kit with ash drawer - Nickel	50-979
11	1200 Leg Kit with ash drawer - Gold	50-980
11	1200 Leg Kit with ash drawer - Painted	50-981
11	1200 Leg Kit with ash drawer - Brushed Nickel	50-1470
12	1200 Freestanding Pedestal - Painted	50-982
13	1700 Leg Kit with ash drawer - Nickel	50-983
13	1700 Leg Kit with ash drawer - Gold	50-984
13	1700 Leg Kit with ash drawer - Painted	50-985
13	1700 Leg Kit with ash drawer - Brushed Nickel	50-1471
14	1700 Freestanding Pedestal - Painted	50-986
15	Door - Painted	50-987
15	Door - Gold	50-988
15	Door - Nickel	50-989
15	Door - Brushed Nickel	50-1469
16	Owner's Manual	50-1040
17	Heat Efficiency Shield	50-1088
18	1200 & 1700 Front Secondary Air Tube A	50-1099
19	1700 Rear Secondary Air Tube C	50-1100
20	1700 Middle Secondary Air Tube B	50-1101
21	1200 Rear Secondary Air Tube E	50-1102
22	1200 Middle Secondary Air Tube D	50-1103
23	Pumice Bricks - 3" X 9" (76mm x 229mm)	50-1104

# Parts List

Reference #	Description	Part #
24	Pumice Bricks - 4½" X 9" (114mm x 229mm)	50-1105
25	Pumice Bricks - 4½" X 4½" (114mm x 114mm)	50-1106
26	1200 & 1700 Cast Ash Plug	50-1120
27	Door Handle Assembly (Rod, Cast Latch, Brass Spring)	50-1121
27	1200 & 1700 Cast Latch	50-1381
28	Wood Door Glass Retainer Kit (With Screws)	50-1122
29	1200 Freestanding Flat Top Left Side Cabinet	50-1123
30	1200 Freestanding Flat Top Right Side Cabinet	50-1124
31	1200 Freestanding Step Top Left Side Cabinet	50-1125
32	1200 Freestanding Step Top Right Side Cabinet	50-1126
33	1700 Freestanding Flat Top Left Side Cabinet	50-1127
34	1700 Freestanding Flat Top Right Side Cabinet	50-1128
35	1700 Freestanding Step Top Left Side Cabinet	50-1129
36	1700 Freestanding Step Top Right Side Cabinet	50-1130
37	1200 & 1700 Leg Kit Ash Drawer	50-1131
38	1200 Leg Kit Ash Drawer Box	50-1132
39	1700 Leg Kit Ash Drawer Box	50-1133
40	1200 Leg Kit Adaptor Plate	50-1134
41	1700 Leg Kit Adaptor Plate	50-1135
42	1200 & 1700 Pedestal Kit Ash Drawer	50-1136
43	1200 & 1700 Left Shield Assembly	50-1144
44	1200 & 1700 Right Shield Assembly	50-1145
45	1200 C-Cast Ceramic Baffle - 1 Piece	50-1146
46	1700 C-Cast Ceramic Baffle - 1 Piece	50-1147
47	1200 & 1700 Fireplace Insert Flue Collar Assembly	50-1148
48	1200 & 1700 Ceramic Flue Gasket	50-1413
	1200 & 1700 Insert - Angled Flue Collar	50-1565
49	1200 & 1700 Fireplace Insert Fan Assembly	50-2204
50	1200 & 1700 Door Hinge Pin Cap	50-1815
	Tapped Corner Bracket	EC-053
51	Regular Surround Panel Trim - Black	50-121
51	Regular Surround Panel Trim - Gold	10-003
52	Oversized Surround Panel Trim - Black	50-122
52	Oversized Surround Panel Trim - Gold	10-004
53	Fireplace Insert Regular Surround Panel	50-1712
54	Fireplace Insert Oversized Surround Panel	50-1713
55	Fireplace Insert Left Shroud incl Fan	50-2167
56	Fireplace Insert Right Shroud	50-2171

# Parts Diagram - Freestanding

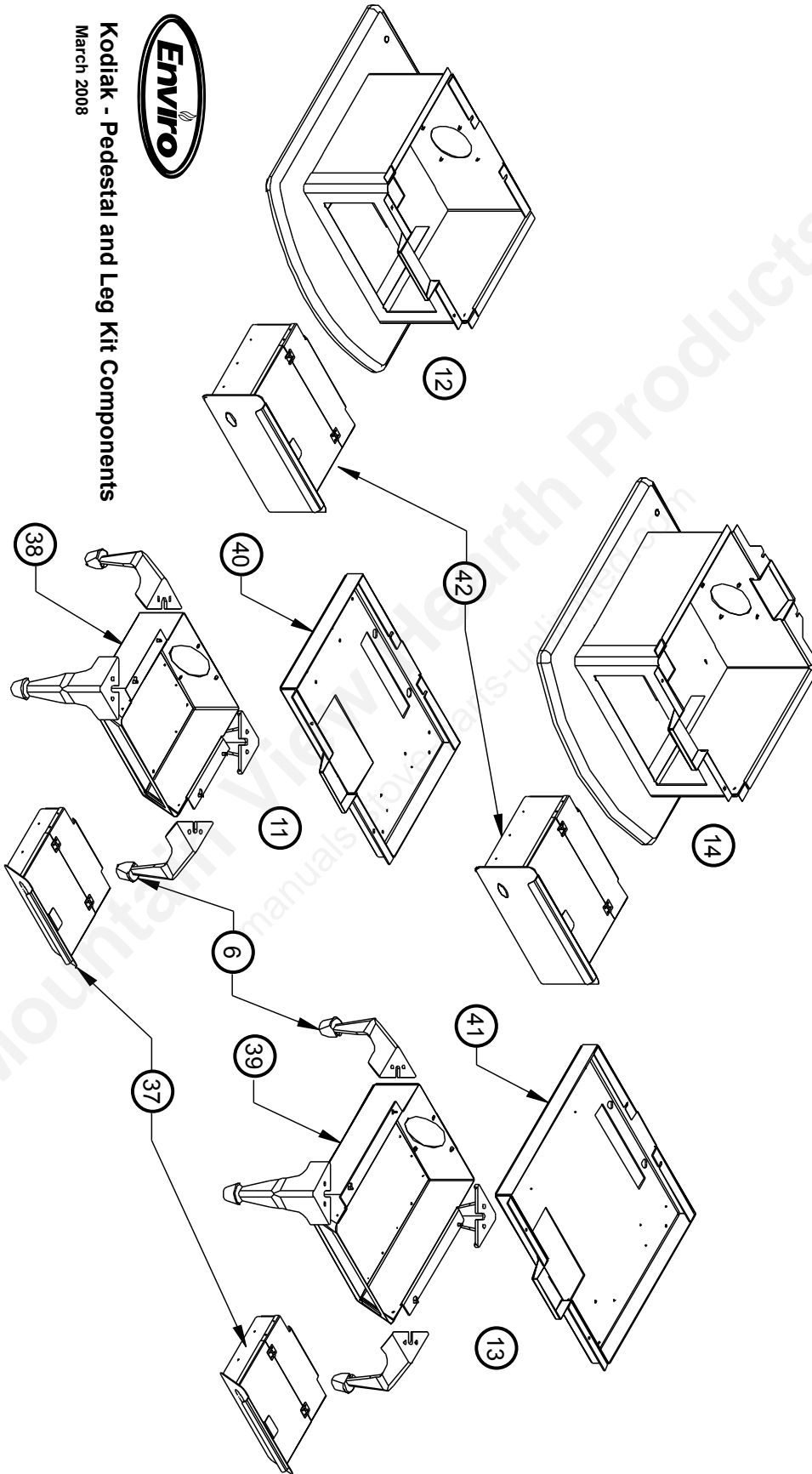


**Kodiak - Freestanding Components**  
April 2013

# Parts Diagram - Pedestals & Legs



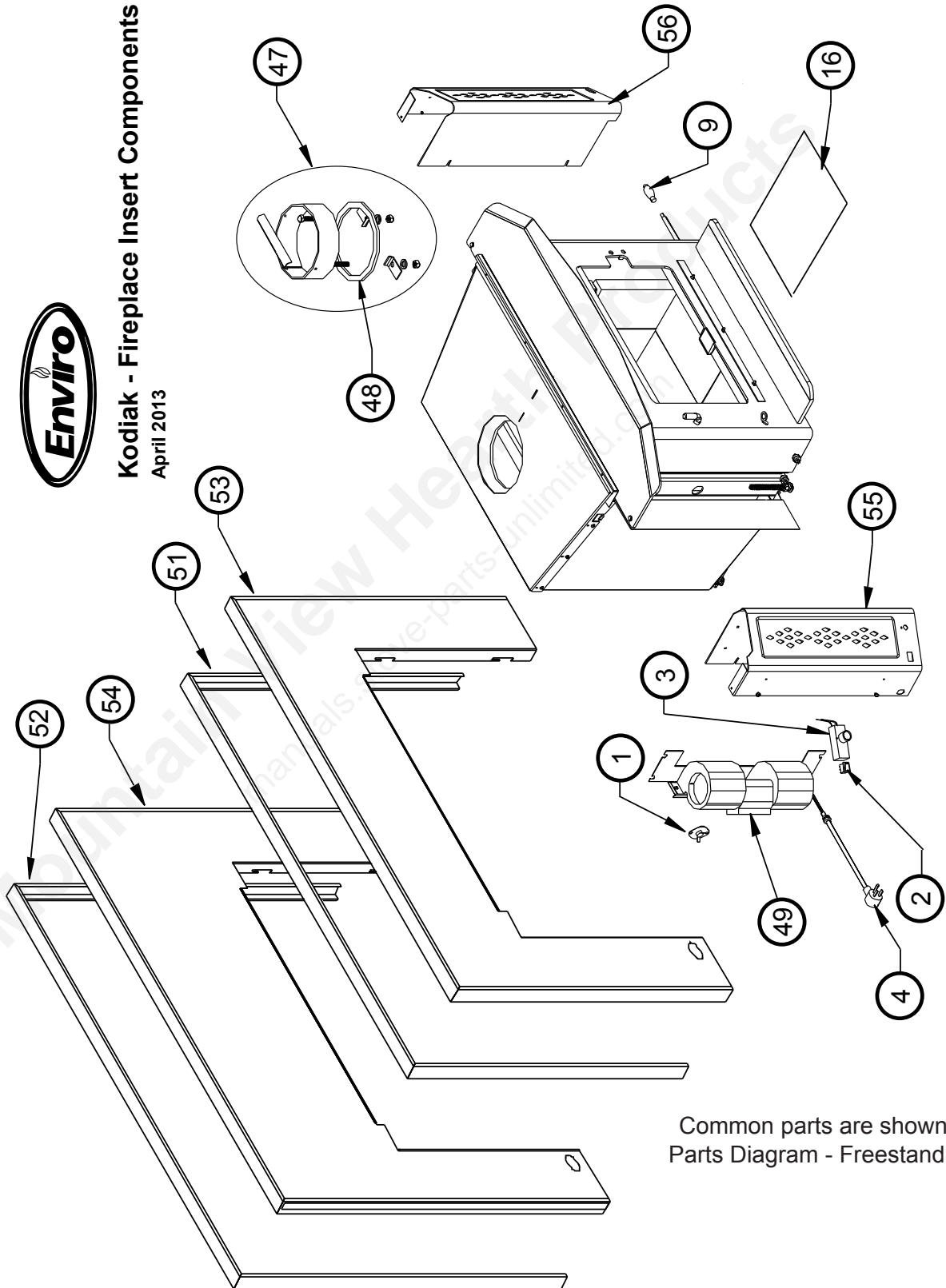
Kodiak - Pedestal and Leg Kit Components  
March 2008



# Parts Diagram - Fireplace Insert



**Kodiak - Fireplace Insert Components**  
April 2013



Common parts are shown in  
Parts Diagram - Freestanding.



# Warranty for Enviro Wood Products

Sherwood Industries Ltd. ("Sherwood") hereby warrants, subject to the terms and conditions herein set forth, this product against defects in material and workmanship during the specified warranty period starting from the date of original purchase at retail. In the event of a defect of material or workmanship during the specified warranty period, Sherwood reserves the right to make repairs or to assess the replacement of a defective product at Sherwood's factory. The shipping costs are to be paid by the consumer. All warranties by Sherwood are set forth herein and no claim shall be made against Sherwood on any oral warranty or representation.

## Conditions

- A completed warranty registration must be submitted to Sherwood within 90 days of original purchase via the online warranty registration page or via the mail-in warranty registration card provided. Have the installer fill in the installation data sheet in the back of the manual for warranty and future reference.
- This warranty applies only to the original owner in the original location from date of install.
- The unit must have been properly installed by a qualified technician or installer, and must meet all local and national building code requirements.
- The warranty does not cover removal and re-installation costs.
- Sherwood Industries Ltd. reserves the right to make changes without notice.
- Sherwood Industries Ltd. and its employees or representatives will not assume any damages, either directly or indirectly caused by improper usage, operation, installation, servicing or maintenance of this appliance.
- A proof of original purchase must be provided by you or the dealer including serial number.

## Exclusions

An expanded list of exclusions is available at [www.enviro.com/help/warranty.html](http://www.enviro.com/help/warranty.html)

This warranty does not cover:

- Damage as a result of improper usage or abuse.
- Damage caused from over-firing due to incorrect setup or tampering.
- Damage caused by incorrect installation.

## To the Dealer

- Provide name, address and telephone number of purchaser and date of purchase.
- Provide date of purchase. Name of installer and dealer. Serial number of the appliance. Nature of complaint, defects or malfunction, description and part # of any parts replaced.
- Pictures or return of damaged or defective product may be required.

## To the Distributor

- Sign and verify that work and information are correct.

### Sherwood Industries Ltd.

6782 Oldfield Road, Victoria, BC . Canada V8M 2A3  
 Online warranty registration: [www.enviro.com/warranty/](http://www.enviro.com/warranty/)

Category	One Year	Two Year	Limited Lifetime (7yr)
Parts <sup>1</sup> (unit serial number required)		✓	
Firebox (excluding bricks) <sup>2</sup>			✓
Ceramic Baffle <sup>3</sup>			✓
Secondary Air Tubes			✓
Surround Panels (excluding finish)			✓
Pedestals / Legs (excluding finish)			✓
Ceramic Glass <sup>4</sup>	✓		
Door Assembly (excluding gasket)			✓
Slider Control			✓
Shield Assembly			✓
Electrical Components		✓	
Convection Fan		✓	
Exterior Surface Finishing <sup>5</sup>	✓		
Gasket	✓		
Labour		✓	

<sup>1</sup> Whereas warranty has expired, replacement parts will be warranted for 90 days from part purchase date. Labour not included. Unit serial number required.

<sup>2</sup> Warranty does not cover damage caused from burning artificial/firestarter log varieties.

<sup>3</sup> Excludes damage caused by loading wood, cleaning or service.

<sup>4</sup> Glass is covered for thermal breakage. Photos of box, inside of door, and unit serial # must be supplied for breakage due to shipping.

<sup>5</sup> Exterior Surface finishing covers Plating, Enamel or Paint and excludes colour changes, chipping, and fingerprints.

Travel costs not included.

No warranty on replacement firebricks

# Installation Data Sheet

The following information must be recorded by the installer for warranty purposes and future reference.

NAME OF OWNER: \_\_\_\_\_

ADDRESS: \_\_\_\_\_  
\_\_\_\_\_  
\_\_\_\_\_

PHONE: \_\_\_\_\_

NAME OF DEALER: \_\_\_\_\_

ADDRESS: \_\_\_\_\_  
\_\_\_\_\_  
\_\_\_\_\_

PHONE: \_\_\_\_\_

MODEL: \_\_\_\_\_

SERIAL NUMBER: \_\_\_\_\_

DATE OF PURCHASE: \_\_\_\_\_ (dd/mm/yyyy)

DATE OF INSTALLATION: \_\_\_\_\_ (dd/mm/yyyy)

INSTALLER'S SIGNATURE: \_\_\_\_\_  
\_\_\_\_\_

NAME OF INSTALLER: \_\_\_\_\_

ADDRESS: \_\_\_\_\_  
\_\_\_\_\_  
\_\_\_\_\_

PHONE: \_\_\_\_\_

MANUFACTURED BY:  
SHERWOOD INDUSTRIES LTD.  
6782 OLDFIELD RD. SAANICHTON, BC, CANADA V8M 2A3  
www.enviro.com  
April 26, 2013  
C-13823