

GRANDMA BEAR® III

GRANDPA BEAR® III

## OWNER'S MANUAL



This symbol on the nameplate means the product is Listed by Underwriters Laboratories, Inc. (UL Standard No. 737, Fireplace Stoves and UL Standard No. 1482, Room Heaters, Solid Fuel Type) File Nos. MH11256 and MH11238.

### ASSEMBLY/INSTALLATION/OPERATION MAINTENANCE PROCEDURES

© Copyright Fisher Stoves® International, Inc. 1980 — All Rights Reserved

## **WELCOME . . .**

. . . to the growing family of Fisher woodburning stove owners throughout North America. Heating with wood is an idea whose time has come again and Fisher Fireplace Stoves fit today's home using yesterday's fuel.

We are confident you will find that the Fisher Fireplace Stove by its very design, quality of materials and workmanship will provide you with many years of enjoyment, comfort and savings.

This Owner's Manual has been developed to assist you in installing and operating the Fisher Fireplace Stove safely and efficiently.

We encourage you to read and study the material carefully prior to installation.

**FISHER STOVES. AN IDEA AMERICA IS WARMING UP TO™**

# OWNER'S MANUAL

## TABLE OF CONTENTS

<b>I. WARNINGS</b>		<b>4</b>
<b>II. FISHER FIREPLACE STOVE</b>		<b>5</b>
<b>III. INSTALLATION: FACTORY BUILT CHIMNEY SYSTEM</b>		<b>6</b>
CLEARANCE TO COMBUSTIBLE DIAGRAMS	8	
INSTALLING THE FISHER FIREPLACE STOVE	10	
<b>IV. INSTALLATION: MASONRY FIREPLACE</b>		<b>11</b>
CLEARANCE TO COMBUSTIBLE DIAGRAMS	11	
INSTALLING THE FISHER FIREPLACE STOVE INTO A MASONRY FIREPLACE	12	
<b>V. ASSEMBLY</b>		<b>13</b>
FIREBRICK INSTALLATION	13	
SPRING HANDLE ASSEMBLY	14	
ATTACHABLE LEG ASSEMBLY	14	
<b>VI. OPERATING INSTRUCTIONS</b>		<b>14</b>
DOOR LATCH	14	
HOW TO BUILD A FIRE	14	
PAINT ODOR DURING START-UP	15	
USING COAL AS A FUEL	15	
CREOSOTE	15	
<b>VII. MAINTENANCE</b>		<b>15</b>
HEATER/CHIMNEY SYSTEM	15	
FISHER FIREPLACE STOVE	15	

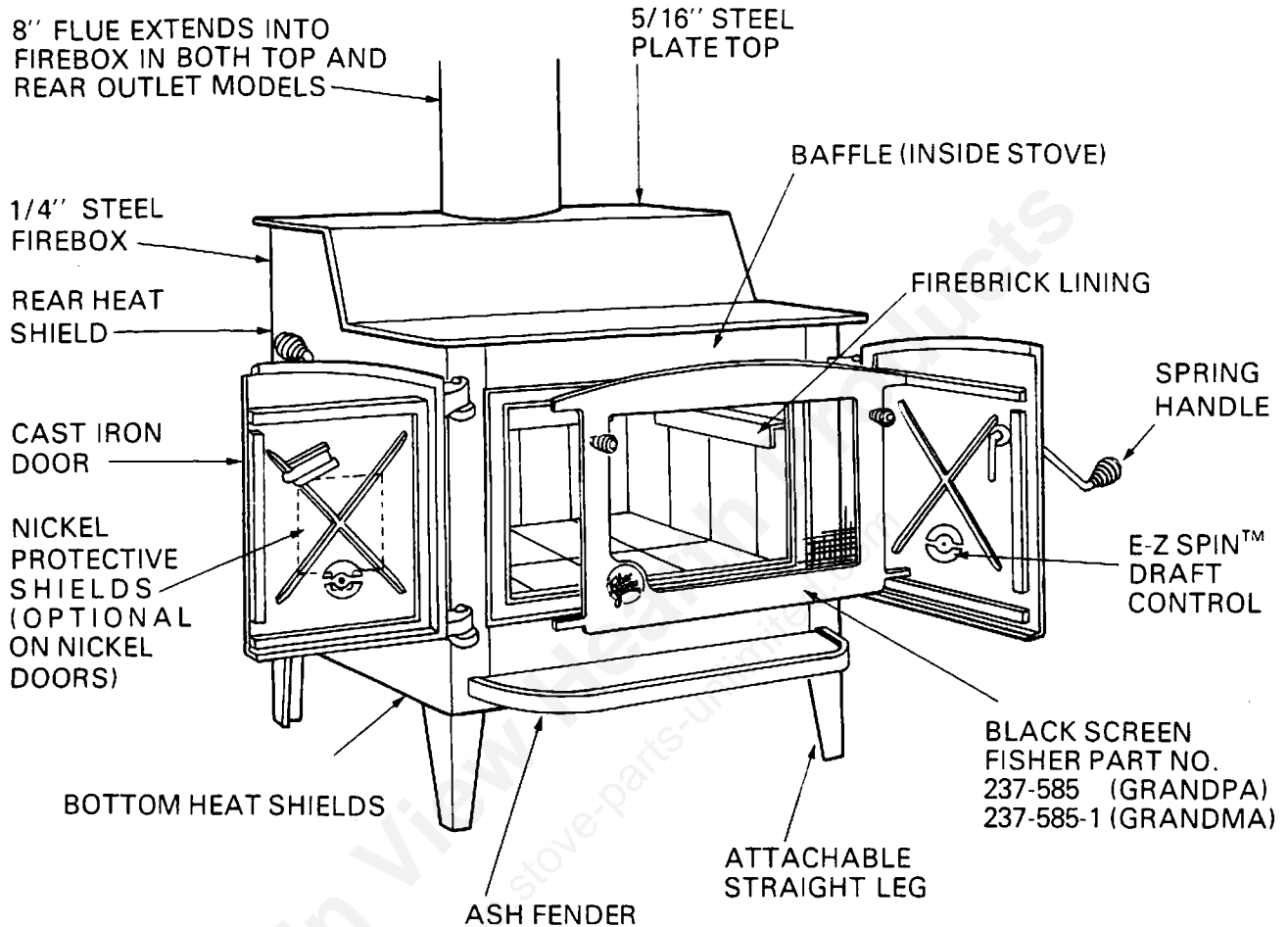
# I. WARNINGS

**PLEASE READ THESE INSTRUCTIONS COMPLETELY BEFORE INSTALLING THE FISHER FIREPLACE STOVE. KEEP THIS MANUAL IN A SAFE AND CONVENIENT LOCATION.**

1. Contact your local building official for installation permits and comply with all state and local codes.
2. Do not connect the stove to a chimney flue serving another appliance.
3. Check your chimney system thoroughly when installing into an existing metal or masonry chimney. If in doubt about its condition, seek professional advice.
4. Use insulated or triple wall pipe for exterior chimney applications. (Check chimney manufacturers specifications for correct pipe selection.)
5. Comply with all minimum clearances to combustibles as shown in this manual. (Clearances to combustibles may be reduced through the use of a U.L. Listed wall protector.)
6. Firebrick must be installed before firing stove.
7. Keep all household combustible materials at least 3 feet away from the stove. This includes clothing, furniture, wood, newspapers, matches, plastics, etc.
8. Do not dry clothing or green wood directly on the surface of the stove.
9. Never use gasoline, gasoline-type lantern fuel, kerosene, charcoal lighter fluid or similar liquids to start or "freshen up" a fire in this heater. Keep all such liquids well away from heater while it is in use.
10. Please use care and caution when filling your stove with fuel. Do not attempt to load fuel into the stove when the fire inside the stove is at or near its peak.
11. Do not burn large quantities of paper or combustible materials that would create an extremely hot/quick fire.
12. Avoid burning wet or green wood.
13. During operation, if any part of the heater starts to glow, the stove is in an overfired condition. Stop adding fuel immediately and close the doors and draft controls completely until the glowing is eliminated.
14. Do not touch the Fisher Fireplace Stove while in operation. Contact may cause skin burns. Warn children and others of the possibilities of being burned if they touch the heater.
15. Cool ashes often contain hot coals and should be disposed of carefully. "Dispose of ashes" as follows: Ashes should be placed in a metal container with a tight fitting lid. The closed container should be placed on a noncombustible floor or on the ground, well away from all combustible materials, pending final disposal. If the ashes are disposed of by burial in soil or otherwise locally dispersed, they should be retained in the closed container until all cinders have thoroughly cooled.
16. Do not permit soot or creosote to accumulate excessively on the interior surfaces of the chimney or inside heater firebox.
17. It is recommended a smoke alarm system be installed in your home.
18. In the event of a chimney fire:
  - A. Shut the doors and close draft controls completely on the Fisher Fireplace Stove.
  - B. Alert everyone in the house.
  - C. Call the Fire Department.

**PLEASE FOLLOW THESE WARNINGS TO AVOID RISK OF FIRE AND INJURY TO PERSON AND PROPERTY.**

## II. FISHER FIREPLACE STOVE ILLUSTRATION



### SPECIFICATIONS

Be sure you have chosen the correct size heater for the area you intend to heat. The physical size of the stove in relation to the area it will heat might appear deceiving. If you have selected a model too large for the area to be heated, it will be necessary to operate the stove in a "choked down" condition. Over a period of time excessive creosote buildup in the chimney may result.

#### GRANDMA BEAR® III MODEL

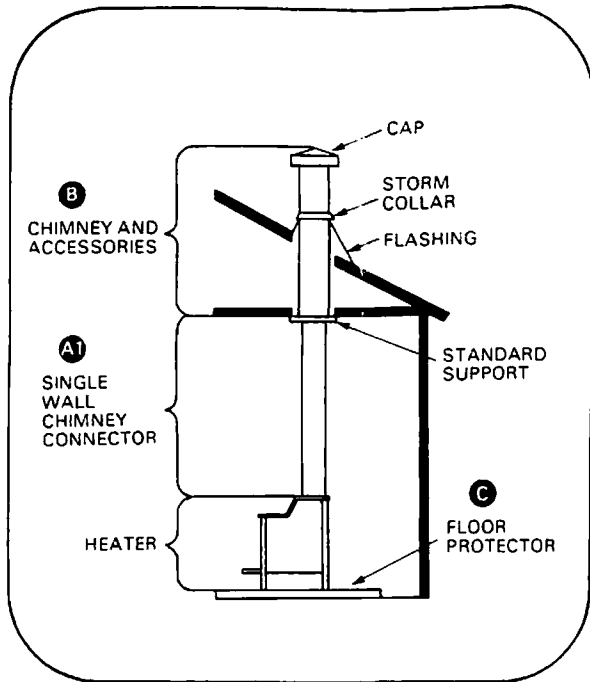
Height — 33 ½"  
 Width — 25-1/2"  
 Depth — 32"  
 Takes Maximum 20" Wood Flue Size — 8"  
 Approx. Weight — 498 lbs.  
 Approx. Heating Capacity — 1,250-1,750 square feet

#### GRANDPA BEAR® III MODEL

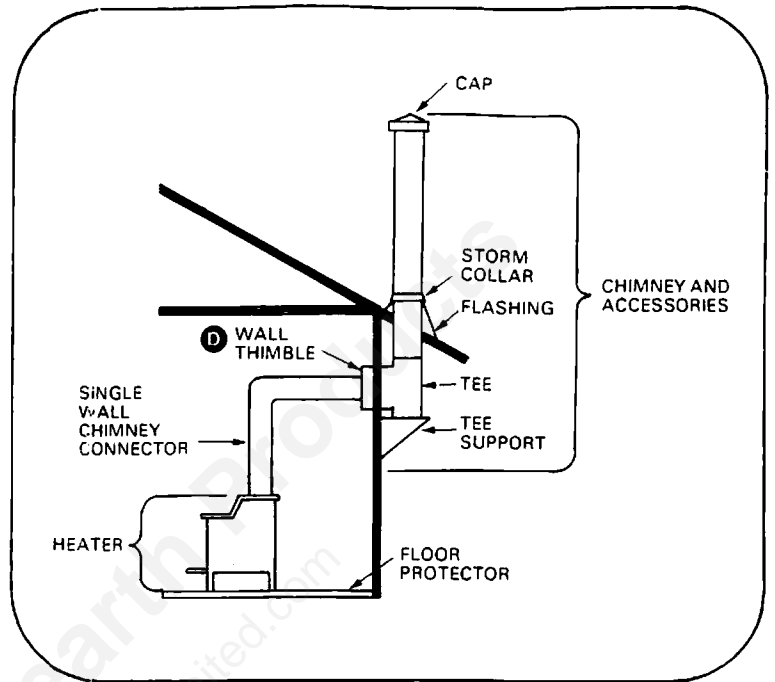
Height — 33 ½"  
 Width — 30"  
 Depth — 32"  
 Takes Maximum 24" Wood Flue Size — 8"  
 Approx. Weight — 562 lbs.  
 Approx. Heating Capacity — 1,750-2,250 square feet

# III. INSTALLATION: FACTORY BUILT CHIMNEY SYSTEM

## TOP OUTLET CHIMNEY APPLICATIONS

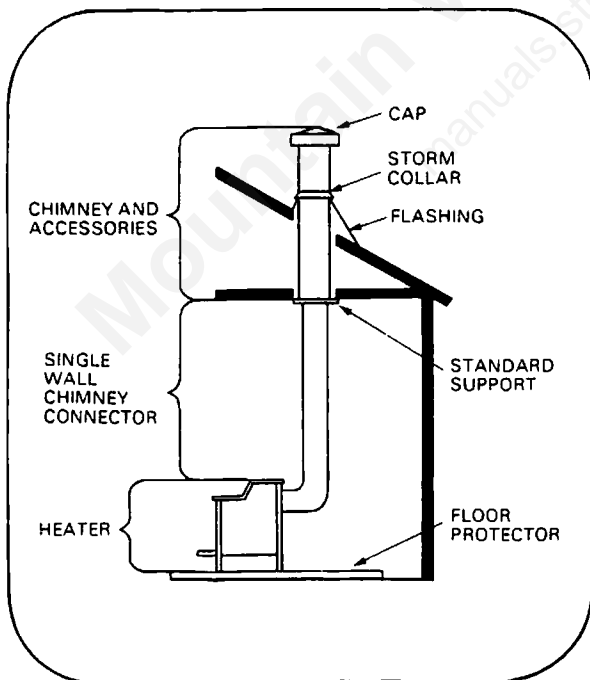


VERTICAL INSTALLATION  
Figure 1

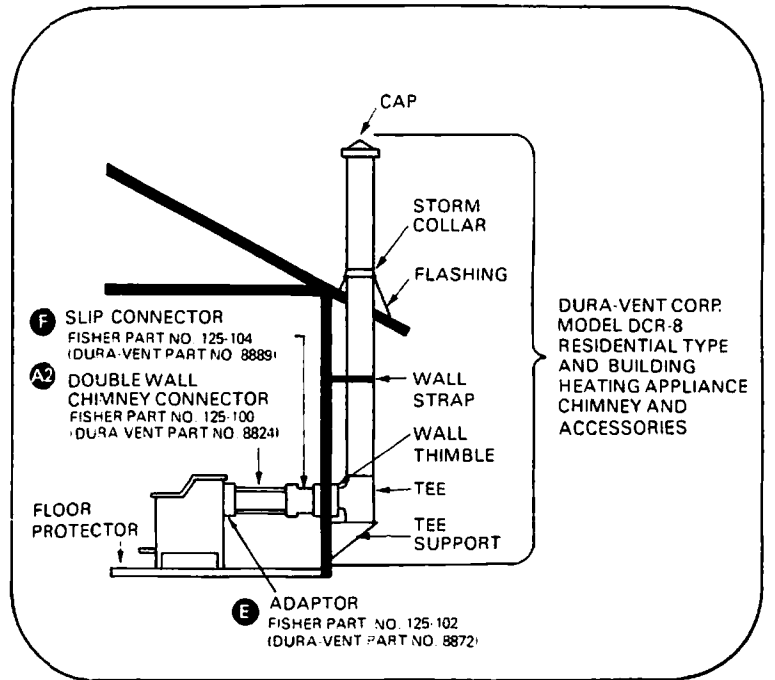


HORIZONTAL, THROUGH-THE-WALL INSTALLATION  
Figure 2

## REAR OUTLET CHIMNEY APPLICATIONS



VERTICAL INSTALLATION  
Figure 3



HORIZONTAL, THROUGH-THE-WALL INSTALLATION  
Figure 4

# INSTALLATION (CONTINUED)

**A CHIMNEY CONNECTOR:** (That portion of pipe from stove to ceiling or wall)

Do not use galvanized pipe.  
Do not use Type B pipe which is used for venting gas appliances.

**A1 SINGLE WALL CHIMNEY CONNECTOR:** 8" painted, low carbon, aluminized or stainless steel, minimum 24 gauge.

**A2 DOUBLE WALL CHIMNEY CONNECTOR:** (Required on rear outlet models intended for through-the-wall installations) Fisher Part No. 125-100 (Dura-Vent Part No. 8824). 8" painted, aluminized steel with a stainless steel liner.

**B CHIMNEY AND ACCESSORIES:** (Used through walls, ceiling and outside dwelling)

8" diameter U.L. Listed factory built, residential type and building heating appliance chimney. Do not use Type B chimney which is used for venting gas appliances.

NOTE: For Rear Outlet models intended for through-the-wall installation as illustrated in Figure 4, use Dura-Vent Corp. Model "DCR" 8" Residential Type and Building Heating Appliance Chimney and accessories.

**C FLOOR PROTECTOR:**

**MATERIAL:** The floor protector must be 3/8" minimum thickness asbestos millboard or equivalent (U.L. Listed Floor Protector). If asbestos millboard is used, a noncombustible material such as tile or brick can be placed over it for decoration.

Minimum Floor Protector Dimensions:

MODEL	EXHAUST		WIDTH	DEPTH	THICKNESS
	TOP	REAR			
Grandma Bear <sup>®</sup> III	X		48"	50 1/2"	3/8"
Grandma Bear <sup>®</sup> III		X	48"	57 1/2"	3/8"
Grandpa Bear <sup>®</sup> III	X		52"	50 1/2"	3/8"
Grandpa Bear <sup>®</sup> III		X	52"	57 1/2"	3/8"

NOTE: For through-the-wall installations, there must be a minimum 12" wide by 3/8" thick floor protector extension centered below the chimney connector between the wall and floor protector. (See Figures 7 and 11.)

**D WALL THIMBLE:** (Required on all through-the-wall installations.)

Fits between standard joist area of wall and adjusts to a variety of widths.

**E ADAPTOR:** (Required on rear outlet models intended for through-the-wall installations.) Fisher Part No. 125-102 (Dura-Vent Part No. 8872). The adaptor attaches to the flue outlet of the stove and secures the double wall chimney connector to the stove.

**F SLIP CONNECTOR:** (Required on rear outlet models intended for through-the-wall installation). Fisher Part No. 125-104 (Dura-Vent Part No. 8889). 8" painted, aluminized steel with a stainless steel inner liner. Connects to the double wall chimney connector and extends outward into the wall thimble.

# CLEARANCE TO COMBUSTIBLE DIAGRAMS

MINIMUM CLEARANCE TO COMBUSTIBLE SURFACES AND FLOOR PROTECTOR

(CLEARANCES TO COMBUSTIBLES MAY BE REDUCED THROUGH THE USE OF A U.L. LISTED WALL PROTECTOR).

## GRANDMA BEAR & GRANDPA BEAR TOP OUTLET

VERTICAL, THROUGH-THE-CEILING  
CHIMNEY INSTALLATION

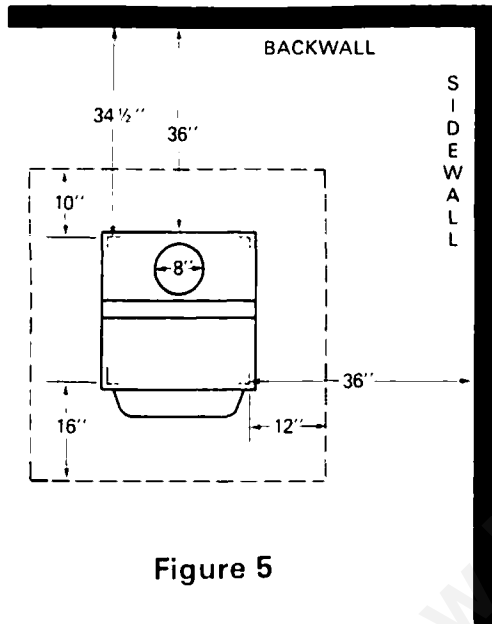


Figure 5

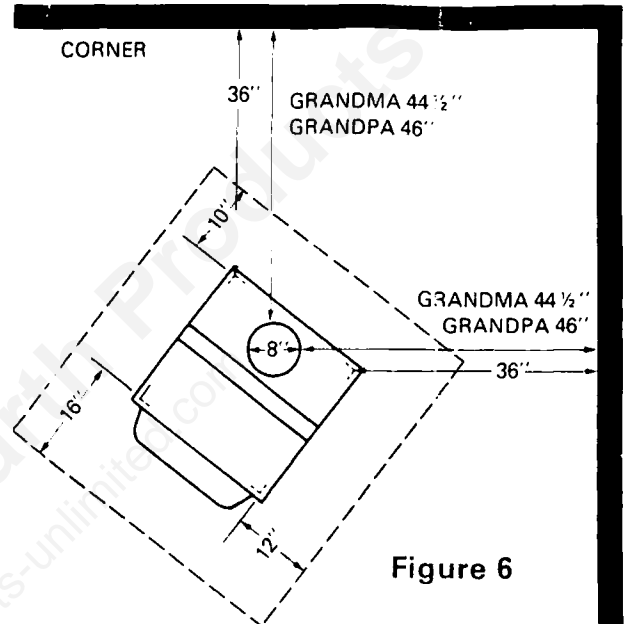


Figure 6

HORIZONTAL, THROUGH-THE-WALL  
CHIMNEY INSTALLATION

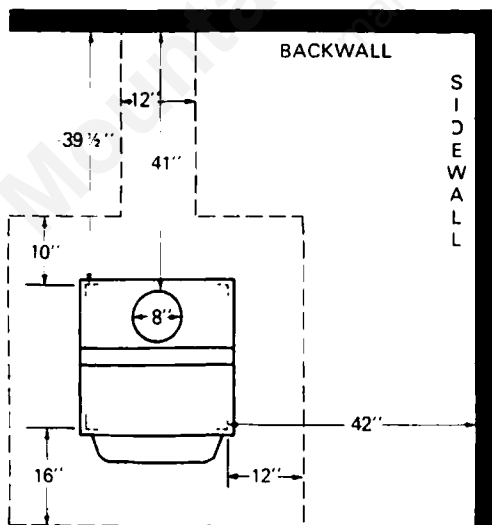


Figure 7

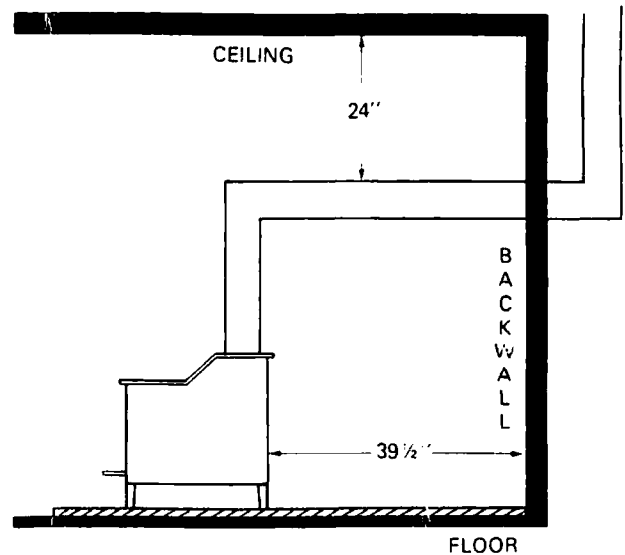


Figure 8

# CLEARANCE TO COMBUSTIBLE DIAGRAMS

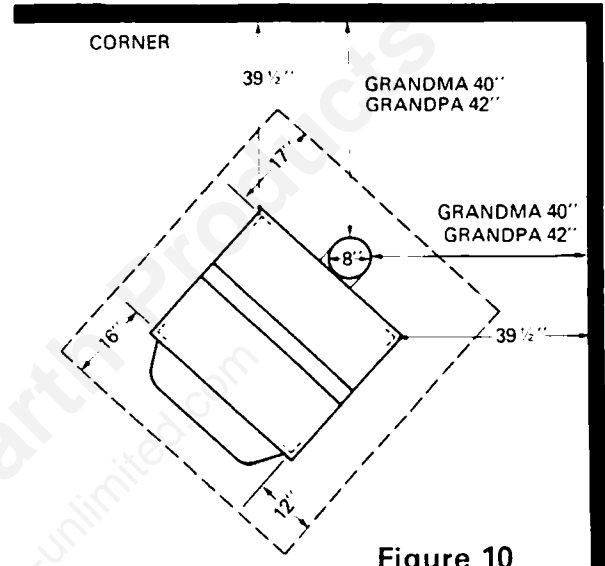
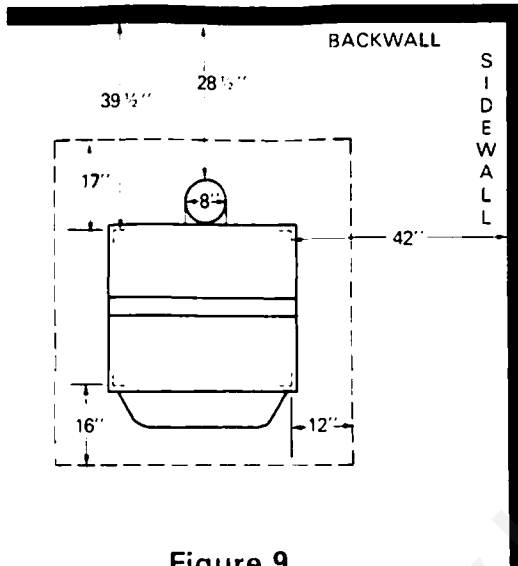
MINIMUM CLEARANCE TO COMBUSTIBLE SURFACES AND FLOOR PROTECTOR

(CLEARANCES TO COMBUSTIBLES MAY BE REDUCED THROUGH THE USE OF A U.L. LISTED WALL PROTECTOR)

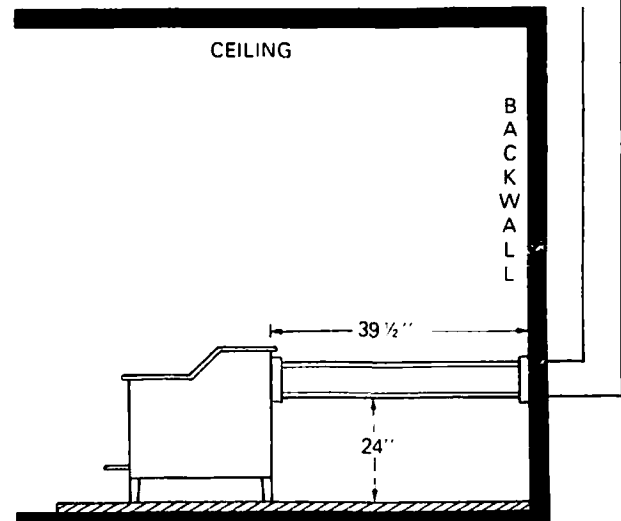
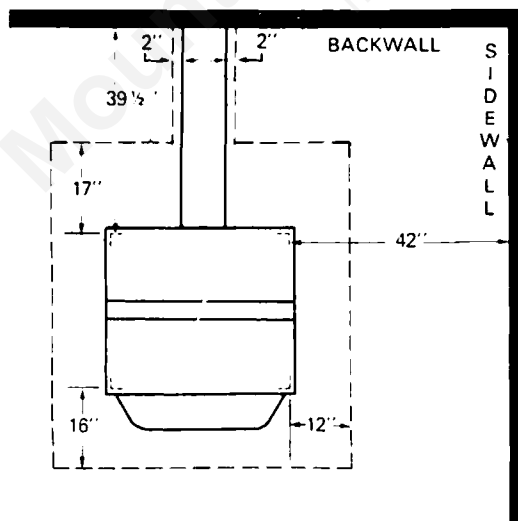
## GRANDMA BEAR & GRANDPA BEAR

### REAR OUTLET

#### VERTICAL, THROUGH-THE-CEILING CHIMNEY INSTALLATION



#### HORIZONTAL, THROUGH-THE-WALL CHIMNEY INSTALLATION



# INSTALLING THE FISHER FIREPLACE STOVE

**INSTALLATION IS EXTREMELY IMPORTANT TO THE OVERALL EFFICIENCY AND SAFE OPERATION OF THE FISHER FIREPLACE STOVE. IF IN DOUBT ABOUT HOW TO INSTALL THE STOVE PROPERLY, SEEK OUT A PROFESSIONAL INSTALLATION SERVICE.**

1. Remove doors and firebrick from stove to reduce weight and for ease in installation.
2. Attach legs, if not attached. (See Figure 20.)
3. Set the floor protector and unit in place according to the minimum clearance to combustible chart.
4. When installing the chimney system cut as few structural members as necessary and avoid wiring, plumbing pipes and duct work.
5. Install the chimney and accessories according to the instructions provided by the chimney manufacturer.
6. Install the single wall chimney connector, making sure it extends into the chimney at least 2".
7. Secure sections of single wall chimney connector to each other using three sheet metal screws equally spaced around the pipe at each joint.
8. Secure the single wall chimney connector to the flue outlet using at least 2 sheet metal screws. (See Figure 13.)

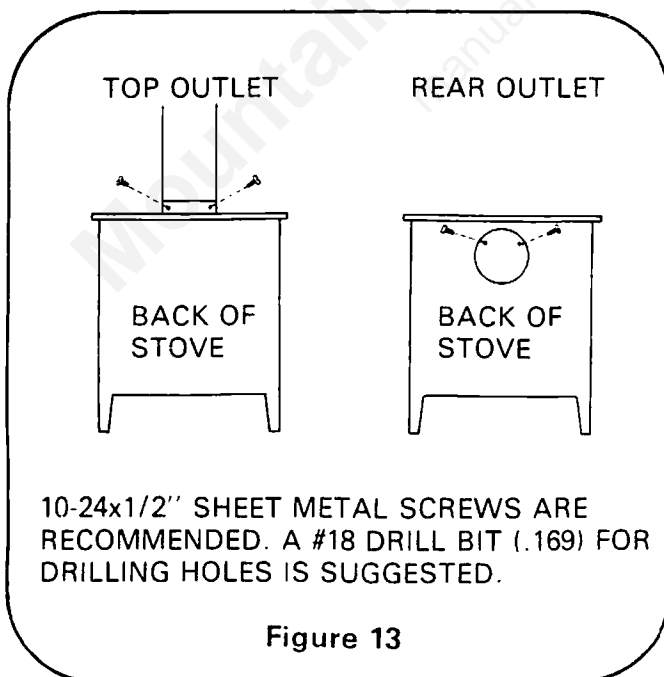


Figure 13

## FOR REAR OUTLET MODELS, THROUGH-THE-WALL INSTALLATION (Figure 4)

- A The top of the wall thimble inlet is to be located a minimum 1" above the top of the flue outlet of the stove to provide the double wall chimney connector and slip connector with a 1/4" per foot slope towards the stove.
- B Place the adaptor on flue outlet.
- C Assemble double wall chimney connector and slip connector. The inner wall of the slip connector goes inside the double wall chimney connector.
- D Insert end of double wall chimney connector into adaptor.
- E Extend slip connector into wall thimble until it locks in place.
- F Tighten adaptor to flue outlet using 2 # 10-24x1" self tapping screws.
- G Tighten the clamping end of the slip connector.

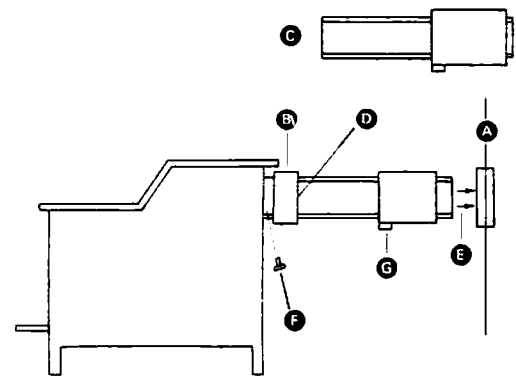
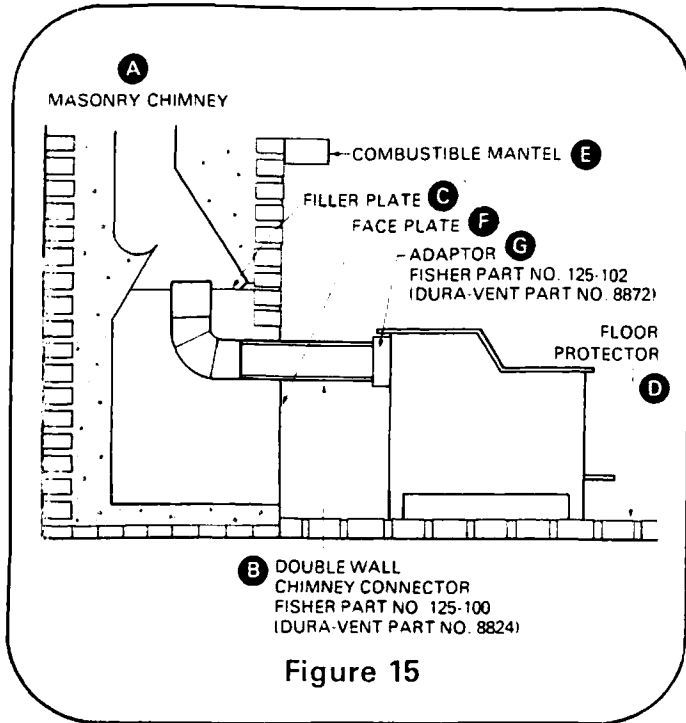


Figure 14

9. Install firebrick. (See Figure 18.)
10. Install doors. Make sure pins are all the way in place.
11. Attach spring handles. (See Figure 19).

## IV. INSTALLATION: MASONRY FIREPLACE



**A MASONRY CHIMNEY:** The chimney must be of masonry construction with a fire clay flue lining or stainless steel flue lining with an open cross-sectional area of at least 50 square inches (7-1/4 x 7-1/4 inches square or 8 inches round).

**B DOUBLE WALL CHIMNEY CONNECTOR:** Fisher Part No. 125-100 (Dura-Vent Part No. 8824). 8" painted, aluminized steel with a stainless steel liner. There must be a 33" minimum clearance between the back of the stove and the masonry fireplace opening.

**C FILLER PLATE:** Use a filler plate of 12 gauge low carbon steel to permanently seal the fireplace throat below the chimney connector.

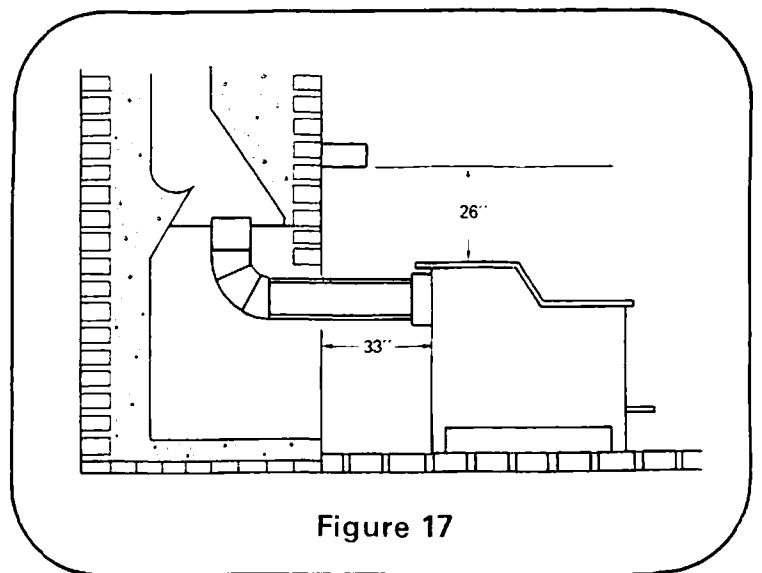
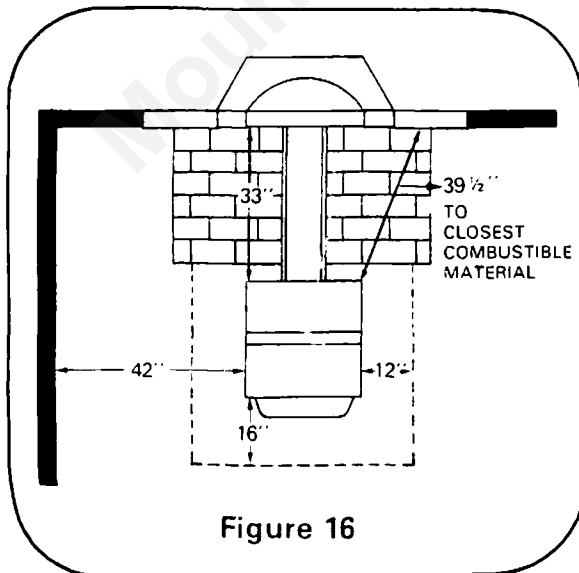
**D FLOOR PROTECTOR:** A non-combustible hearth (or floor protector), a minimum of 3/8" thick, must extend a minimum of 16" in front of and 12" to each side of the stove.

**E MANTEL:** Any combustibile mantel must be located at least 26" above the top of the Fisher Fireplace Stove.

**F FACE PLATE:** A sheet of non-combustible material may be placed over the fireplace opening but must be easily removed for cleaning the chimney connector.

**G ADAPTOR:** Fisher Part No. 125-102 (Dura-Vent Part No. 8872) secures double wall chimney connector to flue outlet of stove.

## CLEARANCE TO COMBUSTIBLE DIAGRAMS



## **INSTALLING THE FISHER FIREPLACE STOVE INTO A MASONRY FIREPLACE**

**CHECK AND CLEAN YOUR MASONRY CHIMNEY SYSTEM THOROUGHLY. IF IN DOUBT ABOUT ITS CONDITION, SEEK PROFESSIONAL ADVICE. ALL CRACKS OR LOOSE BRICKS SHOULD BE REPAIRED BY COMPETENT WORKMEN.**

1. Spread out a protective covering in front of fireplace opening and hearth area.
2. Remove all glass doors and screens.
3. Remove grate, ashes and debris from fireplace.
4. Remove flue damper or lock into permanent open position.
5. Remove doors and firebrick from stove to reduce weight and for ease in installation.
6. Attach legs, if not attached. (See Figure 20.)
7. Position floor protector in front of fireplace hearth according to clearance to-combustible chart. (See Figure 16.)
8. Secure the filler plate to the masonry walls using appropriate anchors and screws. Joints between the masonry fireplace and the filler plate must be sealed using furnace cement. (A cardboard template or pattern may be used to determine the actual size and shape of the filler plate.) (See Figure 15.)
9. Install the double wall chimney connector. (See Figure 15.)
10. Secure adaptor to flue outlet of stove. (See Figure 14).
11. Secure double wall chimney connector to adaptor. (See Figure 14.)
12. A sheet of noncombustible material may be placed over the fireplace opening to serve as a face plate. Make sure it can be easily removed for cleaning the chimney connector.
13. Install firebrick. (See Figure 18.)
14. Install doors. Make sure pins are all the way in place.
15. Attach spring handles. (See Figure 19.)

# V. ASSEMBLY

## FIREBRICK INSTALLATION

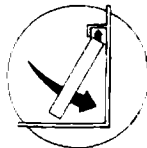
There are ASTM C-27 or C-64 firebricks (4 1/2" x 9" x 1 1/4") included with each stove. Bricks are identified with the marking FLAME, LOUISVILLE or F.B.S. cast into each brick or the marking of one of the following companies

on each package of brick:

Clow Corporation, Dover, Ohio, Unbranded Low Duty Firebrick

Whitacre-Greer, Alliance, Ohio, Unbranded Low Duty Firebrick.

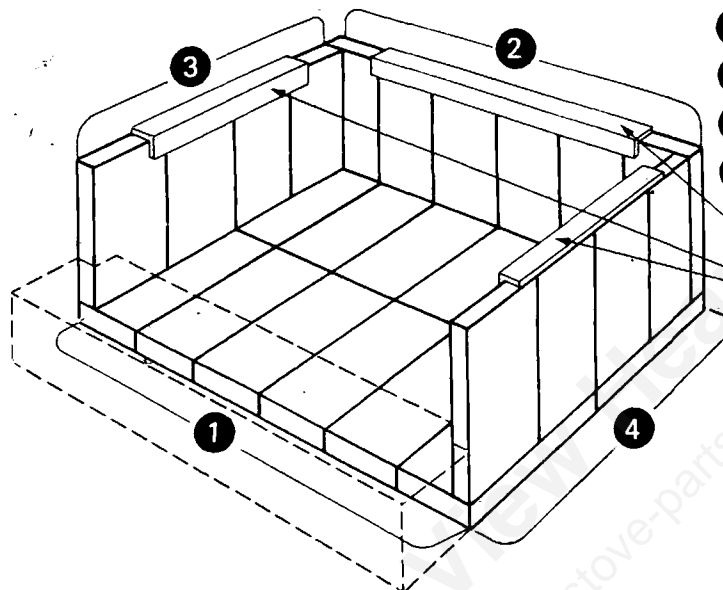
### GRANDPA BEAR® III



FIREBRICKS ARE TO BE INSTALLED BEFORE FIRING STOVE.

26 FIREBRICKS TO BE INSTALLED AS FOLLOWS:

- 1 BOTTOM — 12 HORIZONTALLY PLACED
- 2 BACK — 6 VERTICALLY PLACED
- 3 LEFT — 4 VERTICALLY PLACED
- 4 RIGHT — 4 VERTICALLY PLACED



BRICK RETAINERS

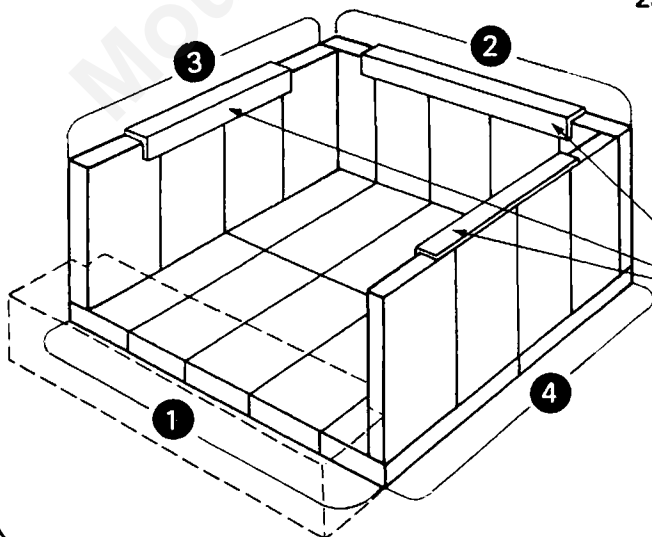
Figure 18

### GRANDMA BEAR® III

FIREBRICKS ARE TO BE INSTALLED BEFORE FIRING STOVE.

23 FIREBRICKS TO BE INSTALLED AS FOLLOWS:

- 1 BOTTOM — 10 HORIZONTALLY PLACED
- 2 BACK — 5 VERTICALLY PLACED
- 3 LEFT — 4 VERTICALLY PLACED
- 4 RIGHT — 4 VERTICALLY PLACED

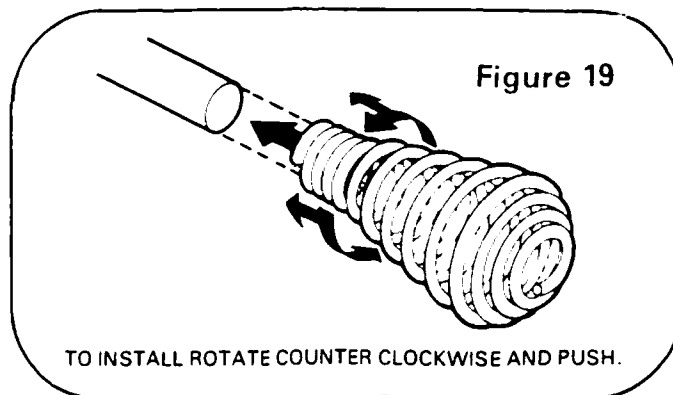


BRICK RETAINERS

## SPRING HANDLE

### ASSEMBLY

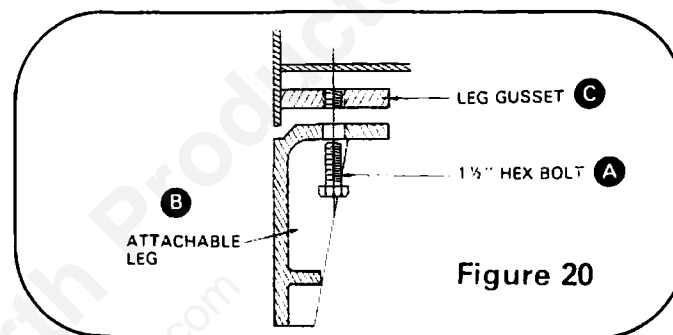
The small end of the handle is designed to act like a spring-loaded corkscrew. Note that the inside diameter of the spring handle is slightly smaller than the handle rod. To install the spring handle onto the rod, rotate the handle in a counter clockwise direction until the spring opens up, then push onto the handle rod. It will remain tightly affixed when installed in this manner.



## ATTACHABLE LEG

### ASSEMBLY

1. Place stove on back, remove doors or make sure doors are tightly closed.
2. Insert one  $\frac{1}{2}$ "x $\frac{1}{2}$ " hex bolt **A** through leg **B**
3. Thread hex bolt and leg into leg gusset **C** until tightly secured.
4. Repeat procedure for attaching each leg.
5. Return stove to upright position.



## VI. OPERATING INSTRUCTIONS

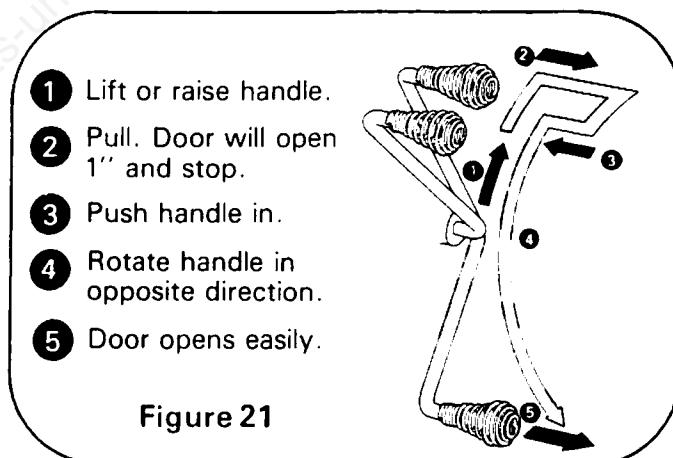
### DOOR LATCH

#### OPERATION

Dual action door latch provides an extra measure of safety when opening the stove door.

By creating a point of hesitation in the process of the opening of the door, the possibility of smoke or flame being drawn from the opening is minimized.

Directions: Lift or raise handle and pull. Door will open one inch and stop. Rotate handle in the opposite direction and door opens easily. When closing door, reverse the procedure.



### HOW TO BUILD A FIRE

1. Using paper and small pieces of dry kindling, start the fire on the bottom and near the front of the firebox.
2. Open the draft controls fully and close the doors.
3. When the fire has started, slowly add larger pieces of wood until a bed of coals has been established.
4. Once the fire is well established, the burning rate may be controlled by either closing or opening the draft controls. Opening the draft controls will cause the fire to burn more rapidly. Closing the draft controls will cause the fire to burn more slowly.
5. The Fisher Fireplace Stove gives the best performance when a bed of coals is maintained. Always leave 1" of ash on the firebox bottom.

## HOW TO BUILD A FIRE (Continued)

---

- When operating with doors open, screen must be attached.
- CAUTION: IF ANY PART OF THE HEATER OR CHIMNEY CONNECTOR STARTS TO GLOW,

THE HEATER IS IN AN OVERFIRED CONDITION. STOP ADDING FUEL IMMEDIATELY AND CLOSE THE DOORS AND DRAFT CONTROLS COMPLETELY UNTIL THE GLOWING IS ELIMINATED.

## PAINT ODOR DURING START-UP

---

When first using your Fisher Fireplace Stove, the high temperature paint that is used will smoke and give off an odor for several hours.

Although this is a temporary condition, windows and/or doors should be open enough to give adequate ventilation.

## USING COAL AS A FUEL

---

The same safety/operating instructions described in this manual for wood . . . apply to coal as well.

(grate or coal basket) must maintain a clearance of 2" from the firebox bottom.

The following, however, are specific instructions for using coal as a fuel:

- Unlike wood, coal must be burned in an elevated position. The means to elevate the fire

- Ash cleanout should be frequent enough to maintain the previously described 2" clearance.
- DO NOT OVERFILL THE HEATER.

## CREOSOTE

---

### FORMATION AND NEED FOR REMOVAL

When wood is burned slowly, it produces tar and other organic vapors, which combine with expelled moisture to form creosote. The creosote vapors condense in the relatively cool chimney flue of a slow-burning fire. As a result, creosote residue accumulates on the flue lining. Creosote ranges in appearance from tarry liquids, to powdery soot to hard crystal-like deposits. When ignited, this creosote makes an extremely hot fire.

### PREVENTIVE MEASURES

- Avoid burning wet or green wood.
- It is recommended that the fire be burned for 10 to 20 minutes daily, with the doors open and the screen attached.
- Inspect the chimney connector and chimney at least twice monthly during the heating season to determine if creosote buildup has occurred.
- Remove creosote if it has accumulated to reduce the risk of a chimney fire.
- A small intense fire is preferable to a large smoldering one to reduce the amount of creosote buildup.

## VII. MAINTENANCE

---

### HEATER / CHIMNEY SYSTEM

---

Because of the many variables that exist in the formation of creosote, it is recommended that the heater / chimney system be inspected twice monthly. If during the inspections, deposits of creosote exist, consult a professional cleaning service.

If self maintenance is desired, consult professional chimney cleaning personnel or government agencies (Fire Department) for details on cleaning methods. When performing routine maintenance,

pay particular attention to the following:

- Chimney (Interior and Exterior)
- Chimney Connector
- Rain Cap / Spark Arrestor
- Flue Outlet
- Baffle
- Fire Chamber (Masonry Installations only)
- Smoke Shelf (Masonry Installations only)

Protect the carpet, floor covering and furniture when cleaning the heater / chimney system.

### FISHER FIREPLACE STOVE

---

If nickel or brass options are selected, periodic conventional cleaning techniques can be used to maintain their brilliance.

Factory heat resistant paint is available through

the local Fisher dealer when refinishing is desired. Refinishing or touch up is to be done only when the heater is not in use.

For further information on using your heater safely, obtain a copy of the National Fire Protection Association publication "Using Coal and Wood Stoves Safely" NFPA No. HS-10-1978. The address of the NFPA is 470 Atlantic Avenue, Boston, Massachusetts 02210.

There are a number of excellent resources on wood heating you might like to purchase, including the Sunset "Homeowner's Guide to Wood Stoves."

If you have any questions regarding your FISHER FIREPLACE STOVE which were not answered in this manual, please feel free to contact your authorized FISHER DEALER.

Keep this manual in a safe place with your important records.

## **GOOD HEATING**



*An idea America is warming up to.™*