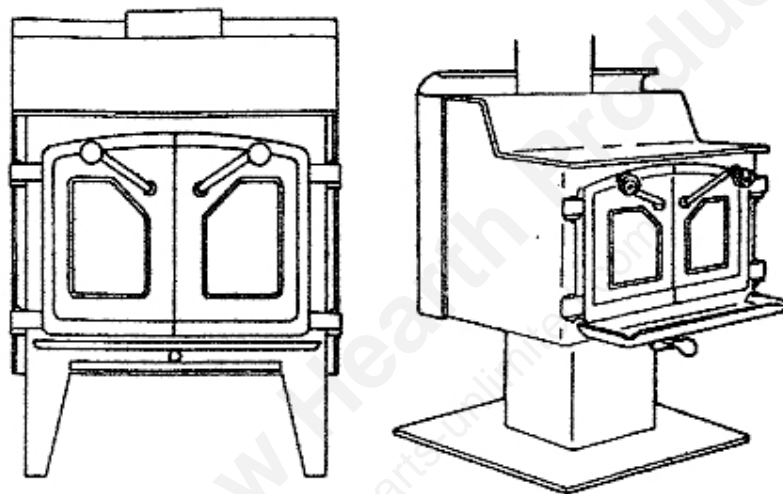




OWNER'S MANUAL

HONEY BEAR® SERIES



ASSEMBLY / INSTALLATION / OPERATION
MAINTENANCE PROCEDURES
for
Mobile Home and Conventional Home Use

SAFETY NOTICE

If this fireplace stove is not properly installed, a house fire may result. For your safety, follow the installation directions. Contact local building or fire officials about restrictions and installation inspection requirements in your area.

Copyright © 1985
CESCO INDUSTRIES, INC.
All Rights Reserved

TABLE OF CONTENTS

- I. WARNINGS / page 1**
- II. STOVE DESIGN CRITERIA / page 2**
- III. STOVE SPECIFICATIONS / page 2**
- IV. INSTALLATION AND ASSEMBLY / page 4**
 - Mobile Home Installation / page 4
 - Conventional Home Installation / page 5
 - Floor Protector / page 5
 - Reduced Clearance to Combustible Wall Surfaces / page 6
 - Installation Instructions / page 6
 - Mobile Home Installation / page 6
 - Conventional Home Installation / page 7
 - Bolt-on Pedestal Assembly / page 8
 - Bolt-on Legs for Conventional Home Use / page 9
 - Firebrick Installation / page 9
 - Spring Handles / page 9
- V. OPERATING INSTRUCTIONS / page 10**
 - Building and Maintaining a Fire / page 10
 - Creosote - Formation and Need for removal / page 11
 - General Information / page 11
- VI. MAINTENANCE / page 11**
 - Chimney System / page 11
 - Fireplace Stove / page 12
 - Brass plated doors / page 12
 - Nickel plated doors / page 12
 - Glass doors / page 12
 - Glass replacement / page 12
- VII. WOOD / page 13**

I. WARNINGS

Read ALL instructions before installing and using your Fisher stove.

1. Notify your home insurance company that you intend to install a fireplace stove.
2. DO NOT INSTALL THE STOVE IN A SLEEPING AREA OF A MOBILE HOME.
3. Do not connect this unit to a chimney flue serving another appliance.
4. Comply with all minimum clearances to combustibles as shown in this manual. Clearances may only be reduced by means approved by the building official having authority.
5. Refer to the chimney and chimney connector manufacturers instructions and local building codes for installation through ceilings. Special methods are required.
6. Never install a chimney connector that passes through an attic or roof space, closet or similar concealed space, or a floor, ceiling, wall or partition of combustible construction.
7. Firebrick must be installed before firing stove.
8. Keep all household combustible materials at least 36 inches away from the stove. This includes clothing, furniture, wood, newspapers, matches, plastics, etc. Do not use stove to dry clothing or green wood.
9. NEVER USE GARBAGE, GASOLINE-TYPE LANTERN FUEL, KEROSENE, CHARCOAL LIGHTER FLUID, CHEMICALS, GASOLINE OR SIMILAR LIQUIDS TO START OR "FRESHEN UP" A FIRE. KEEP ALL SUCH LIQUIDS WELL AWAY FROM THE STOVE WHILE IT IS IN USE.
10. Use care and caution when filling your stove with fuel. Do not attempt to load fuel into the stove when the fire inside is at or near its peak.
11. Do not burn large quantities of paper or combustible materials that would create an extremely hot/quick fire.
12. DISPOSAL OF ASHES. Ashes should be placed in a metal container with a tight fitting lid. The closed container of ashes should be placed on a noncombustible floor or on the ground, well away from all combustible materials, pending final disposal. If the ashes are disposed of by burial in soil or otherwise locally dispersed, they should be retained in the closed container until all cinders have thoroughly cooled.
13. USE ONLY SOLID WOOD FUEL IN THIS STOVE. DO NOT BURN COAL.
14. Do not touch the stove while in operation. Contact may cause skin burns. Warn children and others of the possibilities of being burned if they touch the heater.
15. It is recommended that a smoke alarm system be installed in your home.
16. In the event of a chimney fire:
 - A. Shut the doors and draft controls completely on the stove.
 - B. Alert everyone in the house.
 - C. Call the fire department.
17. SAVE THESE INSTRUCTIONS.

**Please follow
these warnings
to avoid risk
of fire and injury
to person
and property.**

II. STOVE DESIGN CRITERIA

The Honey Bear Series is designed for installation and use in mobile homes and conventional homes.

For conventional home applications, either the bolt-on 3-sided pedestal or the bolt-on legs are to be used.

In a mobile home installation, the bolt-on 4-sided pedestal **MUST** be used to provide the flow of outside air directly to the fire chamber.

Mobile home installation requirements are as follows:

1. Provide a combustion air inlet which should conduct the combustion air directly from outside the mobile home to the fire chamber.
2. Fuel or products of combustion (such as hot coals or ashes) must be prevented from dropping into the air inlet or into the area beneath the mobile home.
3. A rodent guard must be installed.
4. The stove shall be equipped with the means to be securely attached to the mobile home structure when transporting the mobile home.
5. The weight of the stove, floor protector, chimney connector and chimney must be spread over an area not to exceed 40 pounds per square foot.
6. A listed factory-built chimney must attach directly to the stove and shall extend at least 3 feet above the part of the roof through which it passes. The top of the chimney is to be at least 2 feet above the highest elevation of any part of the mobile home within 10 feet of the chimney.
7. A spark arrestor must be used with the chimney system.
8. The stove shall not be installed in a sleeping room.
9. The structural integrity of the mobile home floor, wall and ceiling/roof must be maintained.

III. STOVE SPECIFICATIONS

Be sure you have chosen the correct size heater for the area you intend to heat. The physical size of the stove in relation to the area it will heat might appear deceiving. If you have selected a model too large for the area to be heated, it will be necessary to operate the stove in a "choked down" condition. Over a period of time, excessive creosote buildup in the chimney may result.

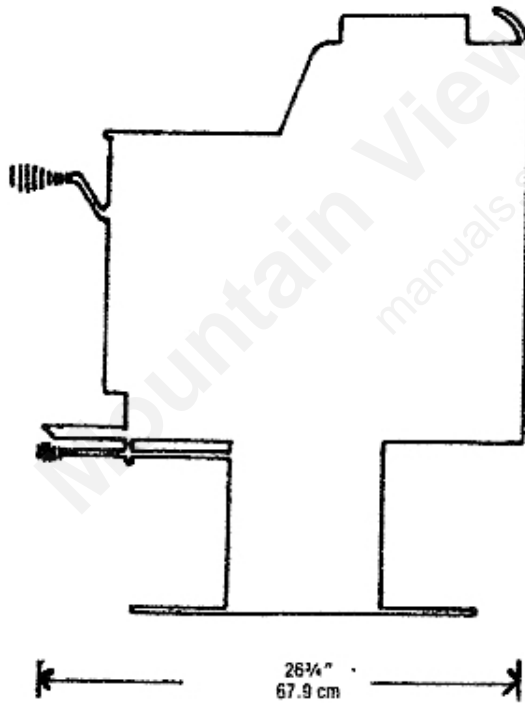
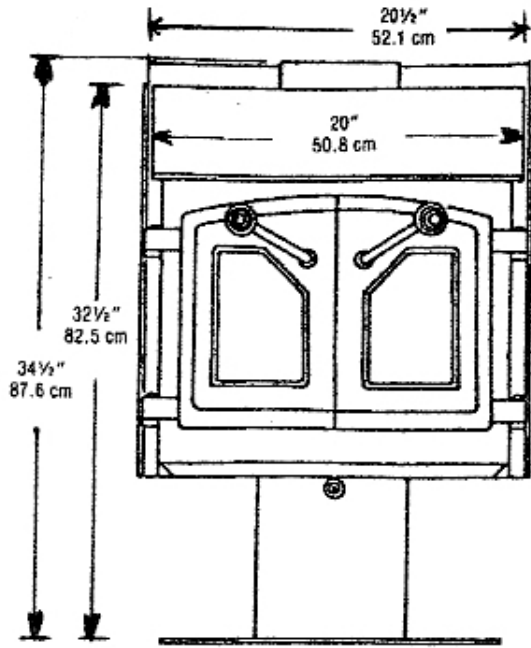
* The heating capacity is approximate and based on eight foot ceilings with normal construction and insulation in outside walls and ceilings. Heating capacity variables may include the following: outside temperature;

Honey Bear Series

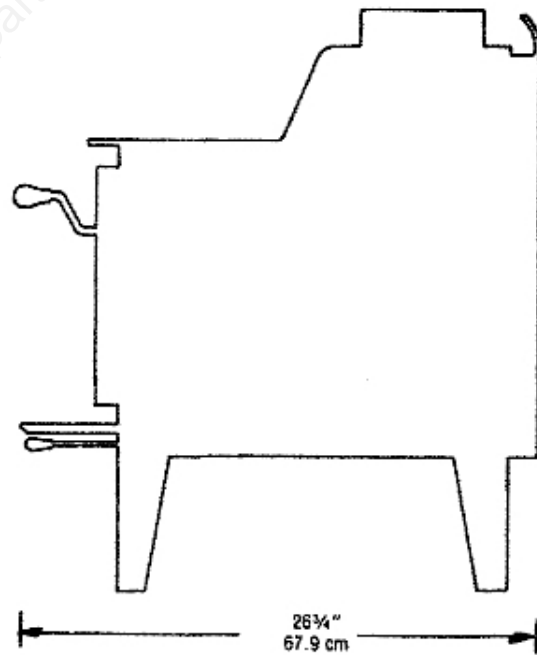
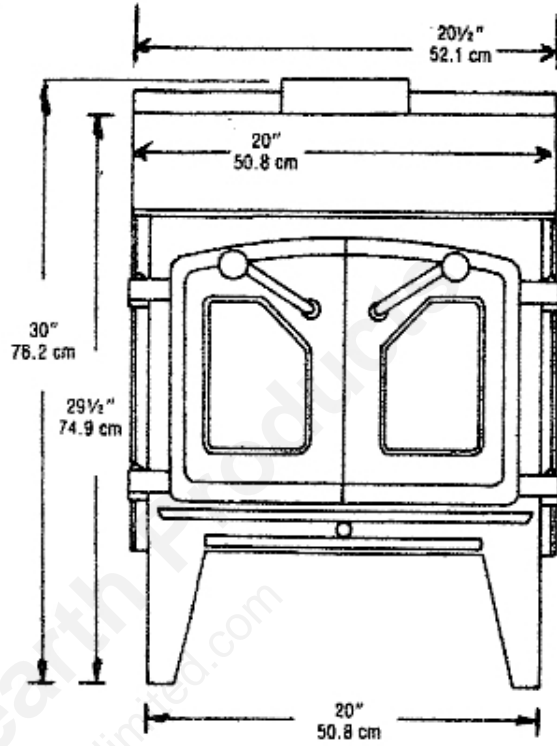
Flue Size: 6" I.D. (15.24 cm)
Approx. Weight w/brick: 240 lbs. (108 kg)
Max. Wood Length: 17" (43.2 cm)
*Heating capacity: 1250 sq. ft. (116 sq. m)

erature; home insulation; location of stove; solar orientation; ceiling height; window glazing; infiltration rates of doors, windows and walls; and type of wood burned.

Pedestal Base

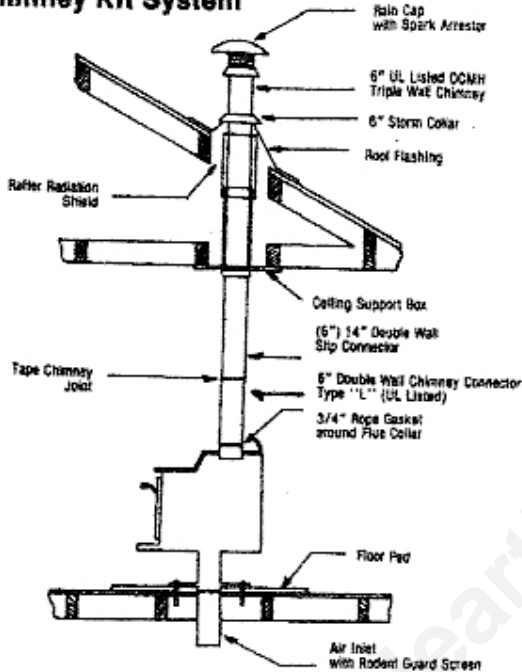


Legs



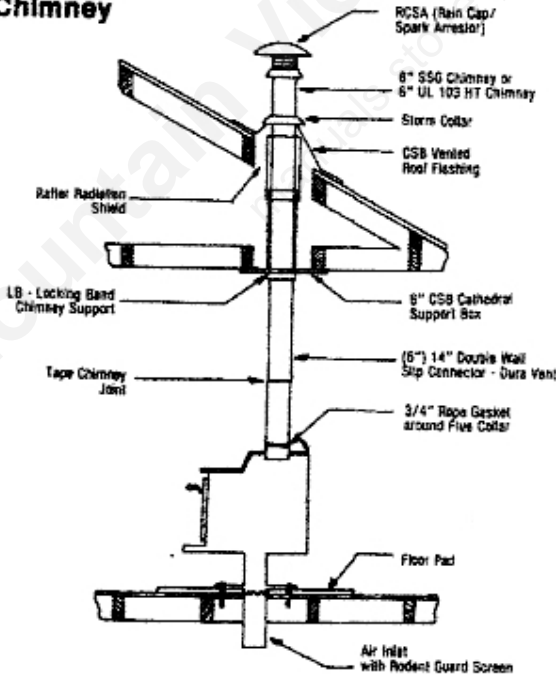
IV. INSTALLATION AND ASSEMBLY

U.S. Mobile Home Installation With Dura Vent 6" DCMH Mobile Home Triple Wall Chimney Kit System

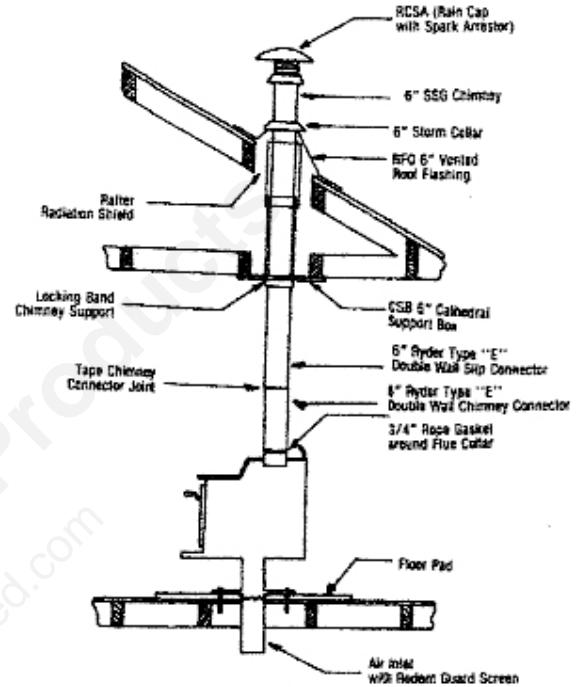


NOTE: Metal Fab. Inc., UL Listed, 6" Mobile Home Chimney, Double Wall Chimney Connector and Double Wall Slip Connector parts may also be used.

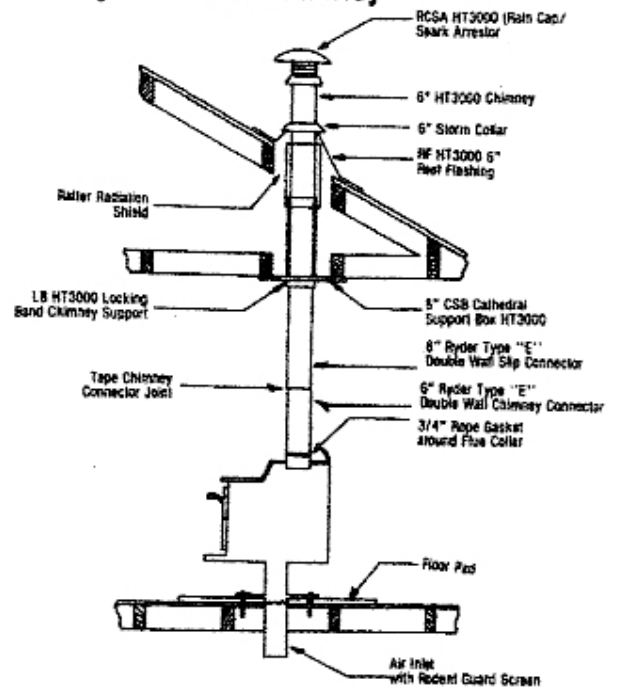
With Projet SSG Chimney or Projet UL 103 HT Chimney



Canadian Mobile Home Installation With Projet SSG Chimney

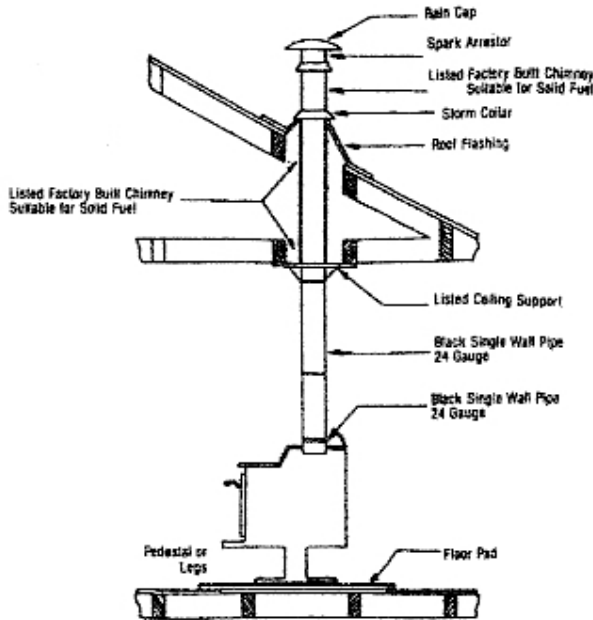


With Projet HT 3000 Chimney



Conventional Home Installation

(Use 6" Diameter Chimney System)



Floor Protector

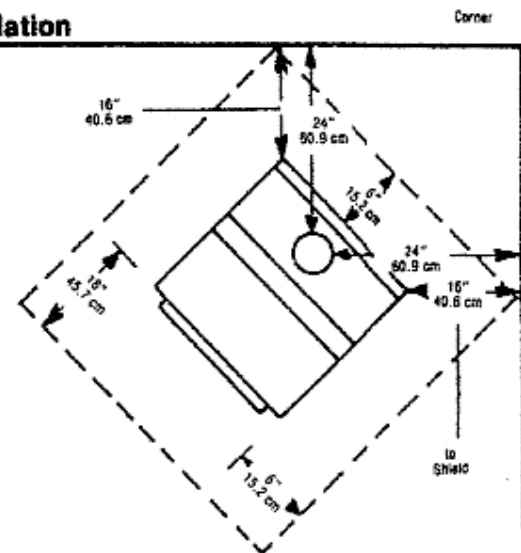
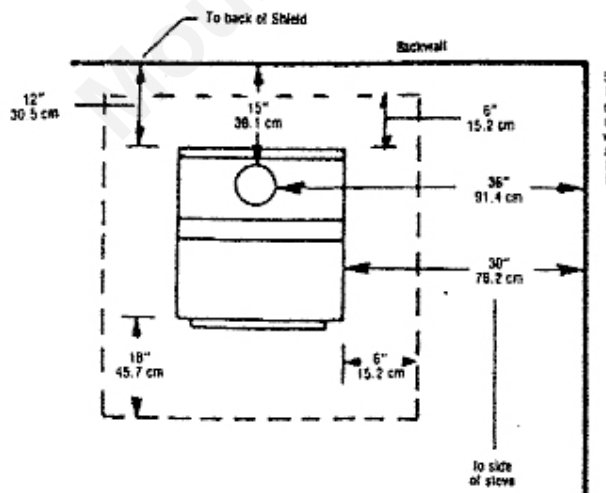
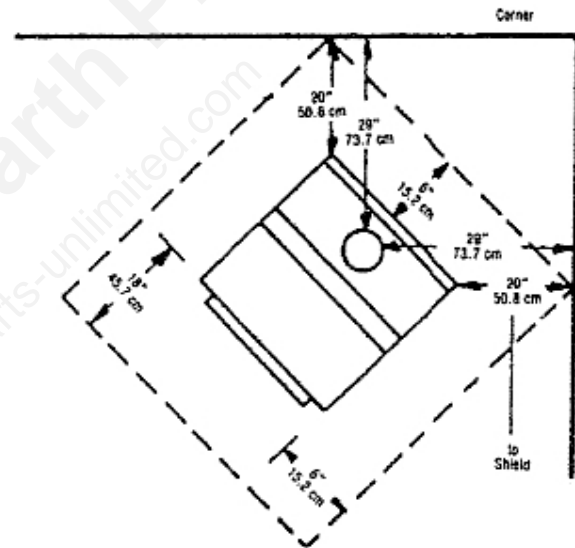
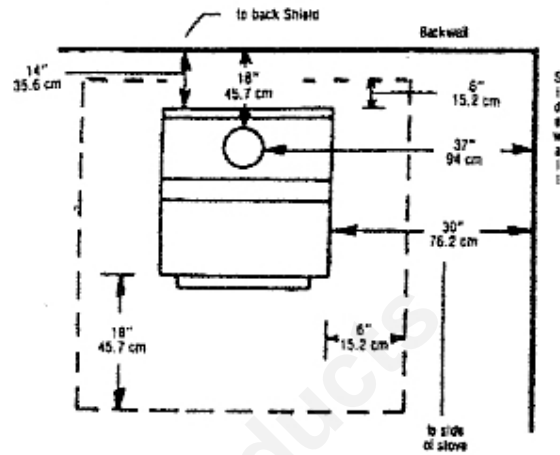
When installing this woodstove on a combustible floor, a floor protector, consisting of a layer of noncombustible material is required to cover the area beneath the stove and extend at least 18" (46 cm) in front of the door opening, and 6" (15 cm) beyond each side and back of the stove. Minimum Floor Protector Size: Width - 32" (813 mm) Depth - 44" (1118 mm).

Clearance To Combustible Diagrams

Vertical, through-the-ceiling installation

Mobile Home Installation

Conventional Home Installation



Reduced Clearances to Combustible Wall Surfaces

WARNING

Reducing the minimum clearances improperly could cause ignition of nearby combustibles.

The minimum clearances to combustible wall surfaces and floor protector specifications shown in this manual for your Fisher stove were determined by the independent testing laboratory as part of the test procedures. They take into consideration the relatively low ignition temperature of nearby combustible walls, ceilings and floors in comparison with temperatures which your Fisher stove is capable of producing under normal and overfired conditions; as well as high temperatures which can be produced in the chimney system in the event of a chimney fire.

U.S. - Clearances may be reduced with the use of a listed wall protector. The wall protector must be a minimum size of 48" x 48". There must be a 1" air space between the back of the wall protector and the wall surface.

Canada - Clearances may only be reduced by means approved by the building official having authority or refer to the Canadian National Building Code for accommodating clearances from combustibles which are less than those required in this manual.

Installation Instructions

SAFETY NOTICE

If this fireplace stove is not properly installed, a house fire may result. For your safety, follow the installation directions. Contact local building or fire officials about restrictions and installation inspection requirements in your area.

Mobile Home Installation

Do not cut any structural members of the mobile home. The structural integrity of the mobile home floor, wall and ceiling/roof must be maintained.

Before starting installation, there are three major areas to take into consideration.

- 1. Outside (above roof) where chimney is placed.** Building codes require that the chimney extend at least 3 feet (.91 M) above the highest point where it passes through the roof and at least 2 feet (.61 M) higher than any portion of the building within 10 feet (3.05 M) of the chimney. (See illustration on page 8.)

Check to make sure the power pole inlet does not conflict with the chimney location.

Avoid areas where a down draft may occur. This situation is sometimes created on the downwind side of trees and adjoining obstructions.

NOTE: When transporting a mobile home, the maximum allowed height is 13½ feet (4.1 M) measured from ground level. The upper section of chimney and chimney cap may need to be removed.

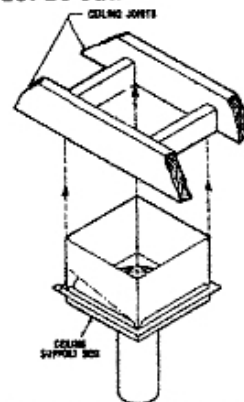
- ii. Ceiling (where support box is attached).** The support box is designed to fit between the ceiling joists. These joists are usually located 16" (406 mm) apart on center. They can generally be found by observing the molding strips on the ceiling.

For corner installations, the ceiling support box may dictate the distance to the end wall which may be more than the minimum clearance.

- iii. Inside (minimum clearance to combustibles).** Make sure the location of the stove allows for the minimum clearances given in this manual.

1. Determine the location of the stove.
2. Remove doors and firebrick from stove to reduce weight for ease in installation.
3. Set the unit in place according to the clearance to combustible measurements.
4. Suspend a "plumb bob" from the ceiling so that its tip is in the center of the flue on the unit. Mark this point on the ceiling which is the centerline of the flue.
5. Carefully drill and cut a small hole in the ceiling. Using a wire, probe the area to locate ceiling joist. Check to be certain any wires will not interfere with the installation of the ceiling support box or radiation (joist) shield. If you are too close to a ceiling joist, adjust the position of the stove to allow for proper chimney installation according to the chimney manufacturer's instructions.
6. Measure and cut square or round hole through the ceiling for the ceiling support box. (Example: if the ceiling support box is 13" x 13", a square opening of 13¼" x 13¼" must be cut.)

To locate the proper lines for the roof cut-out (which must be directly over the square ceiling cut-out), drill vertically upward from the four corners of the ceiling opening, then use holes to mark lines on the roof. Cut roof opening. The square body of the support box must extend upward far enough to be at least flush with the roof surface on all four sides. This is to keep insulation and combustibles away from the chimney pipe. If more height is needed to accomplish this, an extension may be made locally. (Min. 28 gauge galvanized

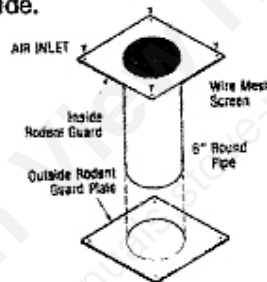


sheet metal can be used.) The extension (rafter radiation shield) is to be fastened with not less than one inch overlap of the thimble metal, using plated or stainless steel sheet metal screws (not smaller than No. 8 size, at least two screws per side). Any metal of the original support box or the extension which is above the roof surface may be trimmed off to allow the flashing to lay flush with the roof. Frame the opening to the ceiling joists. Then insert the support box from the bottom of the frame opening.

7. Using the plumb bob again from the center of flue in ceiling, realign stove.
8. Mark the outline of the pedestal base on the floor.
9. Move the stove aside.
10. Determine the area within the perimeters of the pedestal base where the outside air inlet can be installed. (The 6" diameter air inlet must not be restricted.) Drill a small hole through the mobile home floor. Check to make sure there are not any obstructions such as a floor joist, electrical wiring, plumbing, etc. Move any direction under the pedestal base to allow room for the installation of the air inlet tube and inside rodent guard.
11. Cut a round hole (6 1/4") in the mobile home floor.

12. Measure and cut a matching hole in the floor protector with the air intake hole in the floor and mark the perimeters of the floor protector on the floor. Move the floor protector aside.

13. Slip tube section of air inlet down through the hole in the floor and nail the inside rodent guard to the floor (standard roofing nails recommended). Seal the air inlet with an outside rodent guard, which may be required in some areas.



14. Put the floor protector in place.
15. Set the stove on the floor protector with the pedestal base of the stove covering the air inlet hole location on the floor protector. Make sure the center of the flue outlet on the stove is in alignment with the center of the flue in the ceiling.
16. Using the four pedestal base corner holes as guides, drill four holes through the floor protector and into the floor.
17. Install lag screws with enough length to penetrate the floor to firmly secure the stove to the floor. (This is necessary when transporting the mobile home.)
18. Install the chimney and chimney accessories according to the instructions provided by the chimney manufacturer. Comply with local building codes.

- a. On the roof, if roofing material permits, cover the side and top edges of the roof flashing with roofing material. Make sure the lower edge of the flashing lies over the roofing material.
 - b. Install storm collar approximately 1" above roof flashing and seal to avoid leaks.
 - c. Nail flashing securely to roof with 2" nails.
 - d. Install chimney cap with spark arrestor and caulk nail heads.
19. Install the slip connector and double wall pipe according to the instructions provided by the chimney manufacturer.
 - a. Insert the 3/4" gasket in the bottom of the double wall pipe and secure with stove cement. This is important to make an air tight seal to the stove.
 - b. Tape joints of chimney connector with furnace duct tape.
 20. Install firebrick according to brick layout.
 21. Reinstall doors. Make sure pins are all the way in place.
 22. Attach spring handles.

In some areas, it is a requirement that the mobile home stove be grounded. If the frame of a mobile home is grounded to a ground or lightning rod, we suggest the following method of grounding the stove:

Attach an 8-gauge copper wire to the bottom of the bolt that secures the stove to the floor and run the wire under the mobile home and ground the wire to the frame.

Conventional Home Installation

1. Remove doors and firebrick from stove to reduce weight for ease in installation.
2. Select the location for your stove and set the unit and floor protector in place. Refer to the clearance to combustible diagram and make sure their placement is within the clearances indicated.
3. Suspend a "plumb bob" from the ceiling so that its tip is in the center of the flue on the unit. Mark this point on the ceiling which is the centerline of the flue.
4. Determine that the area above the ceiling is clear for cutting (i.e. that the hole for the chimney will not involve cutting any structural members. Check to be certain any wiring will not interfere with the installation of the chimney system.
5. Install the chimney and chimney accessories according to the instructions provided by the chimney manufacturer.

NOTE: A. The chimney must be a listed factory-built residential type and building heat-

ing appliance chimney suitable for solid fuel.

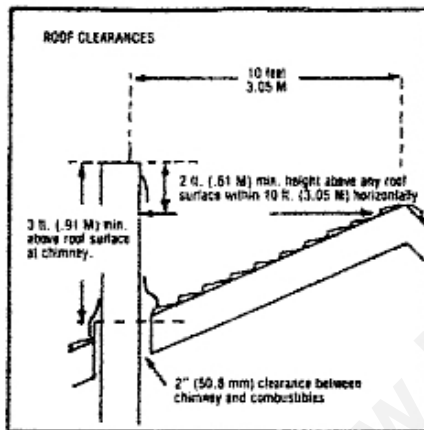
- B. The chimney must be the same size as the flue collar on the stove.

Outside (above roof) where chimney is placed.

Building codes require that the chimney extend at least 3 feet above the highest point where it passes through the roof and at least 2 feet higher than any portion of the building within 10 feet of the chimney.

Check to make sure the power pole inlet does not conflict with the chimney location.

Avoid areas where a down draft may occur. This situation is sometimes created on the down-wind side of trees and adjoining obstacles.



6. Install the chimney connector, making sure it extends into the chimney at least 2 inches.

NOTE: A. Use black single wall pipe, minimum 24 gauge.

B. Do not use galvanized pipe or Type B pipe which is used for venting gas appliances.

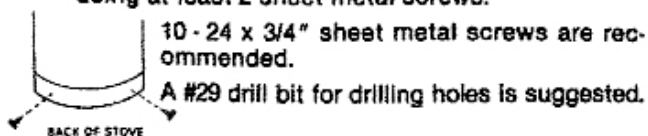
C. Keep the length of pipe as short as possible, preferably less than 10 feet.

D. For appearance, place the seams to the rear.

E. A chimney connector shall not pass through an attic or roof space, closet or similar concealed space, or a floor, ceiling, wall or partition of combustible construction.

7. Secure sections of single wall chimney connector to each other using three sheet metal screws equally spaced around the pipe at each joint.

8. Secure the chimney connector to the flue outlet using at least 2 sheet metal screws.



9. Reinstall firebrick according to the brick layout.
10. Reinstall doors. Make sure pins are all the way in place.
11. Attach spring handles.
12. Combustion air requirement for conventional dwellings. All fuel burning appliances require air for combustion. It is important that some fresh air be supplied to the space where the woodstove is located. This may be done by opening a window slightly or venting a minimum of 12 square inches (77.5 sq. cm) of outside air to within 24 inches (155 cm) of the stove door opening.
13. The space heater is not to be connected to any air distribution duct.

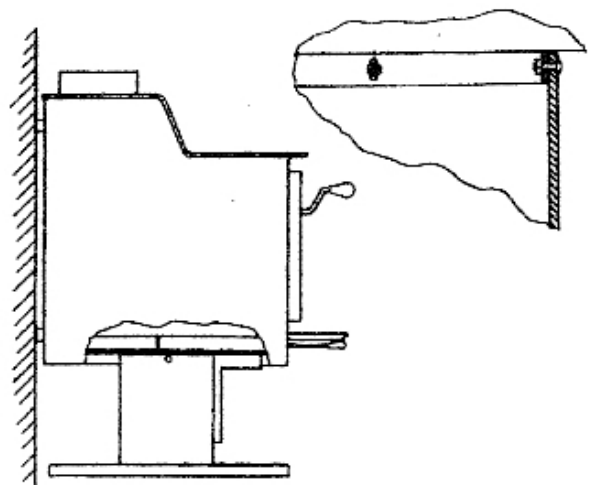
Bolt-on Pedestal

1. Remove heat shields.
2. Lay stove back side to floor.
3. Slip pedestal over the frame on the bottom.
4. Place 1/4" x 20 x 3/4" carriage bolts (enclosed) head to the outside and nut on the inside of the pedestal.

NOTE: There are 3 bolts for the conventional home pedestal and 4 bolts for the mobile home pedestal.

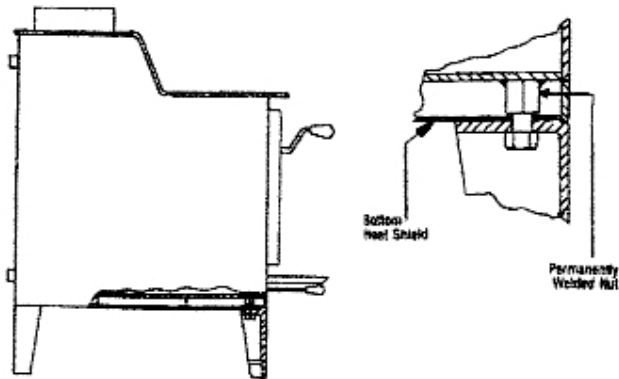
(Mobile Home pedestal has 4 sides and a formed base and the conventional home pedestal has 3 sides and an open base.)

5. Position pedestal by using a square in two planes. When pedestal is perpendicular from side to side and front to back, tighten screws.
6. Place stove in upright position. Check to be sure stove is plumb and square. Use gauge or square.
7. Attach rear heat shield.



Bolt-on Legs for Conventional Home Use

1. Remove rear heat shield.
2. Lay stove back side to the floor.
3. Position bottom heat shield.
4. Fasten legs with 1/2" bolts as shown.
5. Place stove in upright position.
6. Attach rear heat shield.



Spring Handle

To install the spring handle onto the rod, put the small end of the spring handle on the door handle rod. At the same time, push the spring handle and turn it counter clockwise and the handle will turn into place.



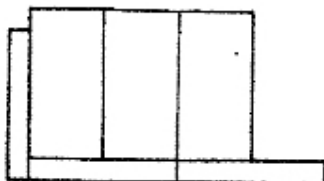
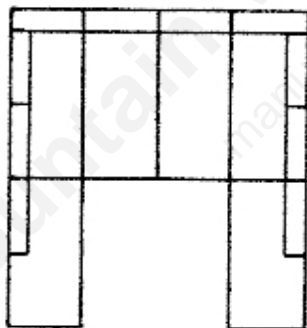
Note that the inside diameter of the spring handle is slightly smaller than the handle rod.

Firebrick Installation

There are 16 firebrick 4-1/2" x 9" x 1-1/4" (11.43 cm x 22.86 cm x 3.17 cm) included with each stove.

Install firebrick as follows:

1. Bottom - 6 horizontally placed
2. Back - 4 vertically placed
3. Left - 3 vertically placed
4. Right - 3 vertically placed



V. OPERATING INSTRUCTIONS

- * Use only solid wood fuel. Do not burn coal in this unit.
- * Operate only with door(s) closed.
- * Stoves need to be broken in or "seasoned." Make the first fires small and avoid sudden bursts of heat.
- * When using your fireplace stove, the high temperature paint that is used on the stove will smoke and give off a paint odor for several hours. Although this is a temporary condition, windows and/or doors should be open enough to insure adequate ventilation.

Building and Maintaining a Fire

1. Fully open the air inlet control rod located under the ash fender.
To open - pull rod out
To close - push rod in
2. If damper is installed in flue pipe, make sure it is also open.
3. Place several pieces of crumpled newspaper directly on the brick hearth and towards the front of the firebox, but do not build the fire against the glass. **Do not use grates or andirons, burn wood fire directly on hearth.**
4. Put a good quantity of small pieces of dry kindling in a crisscross fashion on top of the paper, allowing air passages between the sticks but close enough together so the fire can spread. Light the fire and close the stove door(s). **Never use flammable liquids to help start a fire.**
5. After the kindling is burning good (5-10 minutes) open the door(s) and add a small amount of larger dry wood. Arrange the pieces of wood so that air can circulate around them, but close enough to each other to burn. Close the door(s) and let the wood burn with the draft control and damper open.
6. Once a good fire is established, add large dry wood (logs). Do not fill the firebox more than 3/4 full. Burning wood should never come into contact with unprotected metal inside the firebox.
7. Close the door(s) and burn the fresh wood with air inlet control open for approximately 20 minutes to establish a good bed of coals.
8. Now you can adjust the air inlet control to the desired position that will best serve your needs. Closing the air inlet will slow the burning rate down and lower the temperature. Opening it will cause the fire to burn more rapidly.
9. In order to keep the glass clean, do not completely close the air inlet. Open the air inlet fully when there is a large accumulation of smoke. When less smoke is present in the firebox, a smaller vent opening is required to keep the glass clean.
10. The Honey Bear gives the best performance when a bed of coals (approximately 2" in depth) is maintained.
11. Always leave 1" of ash on the fire box bottom to create an insulating blanket which protects the firebrick. Also, the fire will burn more completely thus reducing ash buildup and the frequency of ash removal.
12. **CAUTION: During operation, if any part of the heater or chimney connector starts to glow, the heater is in an overfired condition. Stop adding fuel immediately and close the door(s) and air inlet control completely until the glowing is eliminated.**
13. **Refueling.** Open the air inlet control fully before opening the door(s). This will help prevent back-puffing of smoke into the room. Wait until the draft is well established before adding wood. It is suggested you stoke the coals before refueling.
14. After refueling, operate the stove with air inlet control and damper open for about 30 minutes until the fire is burning good. This will help retard the formation of creosote, much of which occurs in the early stages of burning. Adjust air inlet control and damper down to maintain a slower burn rate.
15. Maintaining and managing the fire will be trial and error until experience is gained. The heat output is governed by the size of the fire, which in turn is governed by the air inlet and damper settings as well as the amount of fuel in the firebox. Usually the more air passing through the stove, the hotter the fire will burn - as long as it is supplied with fuel. To slow the fire down, adjust the air inlet control rod toward the closed position to maintain a slower burn rate.
16. **Overnight burning.** Although it is much better to fuel a stove more frequently with smaller amounts of wood and burn it hotter, an overnight burn can be accomplished by placing several large pieces of wood on a good bed of coals, close the door(s) and open the air inlet fully until the wood is burning well. Then adjust the air control rod to a minimum setting.
CAUTION: A low smoldering fire will produce creosote, but much of it can be burned off by building a hot fire the next morning - providing the chimney is free of excessive creosote buildup.

Creosote - Formation and Need for Removal

When wood is burned slowly, it produces tar and other organic vapors which combine with expelled moisture to form creosote. The creosote vapors condense in the relatively cool chimney flue of a slow-burning fire. As a result, creosote residue accumulates on the flue lining. When ignited this creosote makes an extremely hot fire.

The chimney connector and chimney should be inspected at least twice monthly during the heating season to determine if a creosote buildup has occurred.

If creosote has accumulated it should be removed to reduce the risk of a chimney fire.

Creosote ranges in appearance from tarry liquids, to powdery soot, to hard crystal-like deposits.

Preventive Measures:

1. Avoid burning wet or green wood.
2. Cut, split, stack and dry wood at least 6 months prior to use.
3. It is recommended that the fire be burned rapidly for 30 minutes daily with the air inlet control and damper open.

CAUTION: Make certain the chimney system and heater are free of excessive creosote before using this method.

4. A small intense fire is preferable to a large smoldering one to reduce the amount of creosote buildup.

General Information

Fisher stoves are designed and tested not to smoke with a normal chimney installation. If the stove smokes after the chimney is warm, it is due to insufficient draft of the chimney system and should be checked for the following:

1. Obstructions or restrictions in the system, such as:
 - A. Bird nests, etc.
 - B. Clogged spark arrestor.
2. Reduction in effective size of system.
 - A. Excessive creosote buildup.
3. Down draft or abnormal winds.
 - A. Chimney installed on leeward side of obstruction.
 - B. Ineffective or no chimney cap.
4. Insufficient height of chimney.
 - A. More chimney height may be necessary for high elevations.

5. Negative pressure in vicinity of fireplace stove.
 - A. No partially open window or combustion air same floor as stove.
 - B. Exhaust or vent fans operating at level or above stove location.
 - C. Open fireplace on level of house higher than stove.

VI. MAINTENANCE

Chimney System

The chimney needs cleaning to prevent chimney fires and improve the draft.

Because of the many variables that exist in the formation of creosote, it is recommended that the fireplace stove and chimney system be inspected for creosote at the beginning of each heating season and at least twice monthly during the heating season and cleaned if necessary. A chimney should be cleaned if there is a creosote buildup of 1/4" or more anywhere in the chimney system.

It is recommended that the chimney system be inspected and cleaned by a chimney sweep. In many areas, fire department personnel can be contacted for chimney inspection and tips on methods for cleaning.

If self maintenance is desired, check with your Fisher dealer for chimney cleaning supplies. Fitted wire brushes are available in every standard flue size and shape. Screw-together sections of light-weight rod can be used to move the brush up and down the inside of the flue. A strong rope attached to the brush with a weight attached to the bottom can be used when cleaning from the top of the chimney.

CAUTION: Starting an intentional chimney fire to burn out the creosote in a chimney can be dangerous and damage the chimney. Do not use tire chains to clean the chimney as they can damage the inside of the flue.

When performing routine inspection and maintenance, pay particular attention to the following:

- * Chimney (interior and exterior)
- * Chimney connector
- * Rain cap/Spark arrestor
- * Flue outlet on stove
- * Baffle in stove

Protect the carpet, floor covering and furniture when cleaning the fireplace stove and chimney system.

If you clean the chimney yourself, remember that a steep roof can cause a serious fall. Be sure to wear

non-skid shoes. Goggles for the eyes and a mask over your nose and mouth should also be worn.

1. Measure the size of your chimney flue to determine the proper chimney brush size. The chimney brush should touch all sides. If the brush is too large it can become lodged in the flue. Purchase enough sections of light-weight rod to enable the brush to reach the entire length of the chimney.
2. Close the doors, and draft control.
3. Close any doors or windows near the stove to prevent drafts.
4. When cleaning the chimney from the roof, remove the spark arrestor or chimney cap.
5. Attach a section of rod to the brush and insert the brush into the flue. Move the brush up and down to scrub up and down until the brush slips easily through the chimney.
6. Add additional sections of rod as you continue cleaning the entire chimney flue.
7. Wait for 15 - 20 minutes before cleaning out the debris which has fallen into the stove while cleaning to prevent soot escaping into the house.
8. If the chimney cap/spark arrestor is inaccessible or cannot be removed, it will be necessary to remove the chimney connector or any portion and clean the chimney from the bottom. Be sure carpeting, furniture, etc. are protected. Take the sections of pipe outside to be cleaned.
9. Using a high powered flashlight, inspect the inside of the chimney for defects. If any defects are found, do not operate the fireplace stove until the repair or replacement of the defective parts has been made.

CAUTION: Home and shop vacuum cleaners should not be used to vacuum soot and creosote material that have fallen into the firebox while cleaning. These materials can damage the vacuum.

Fireplace Stove

Remove any creosote buildup or soot from inside the stove when you are cleaning the chimney system.

Factory heat-resistant paint is available through the Fisher dealer when refinishing is desired. Refinishing or touch up is to be done only when the fireplace stove is not in use.

Be sure to replace any broken brick.

Brass Plated Doors

The doors have been plated with a thin layer of brass to complement your decor. In order to properly maintain the original lustre, a special brass cleaner was developed and should be packaged with your stove. If not, contact your Fisher dealer for information.

Do not use any abrasive base polishes. Be sure to read and comply with instructions on the label of the cleaner.

Nickel Plated Doors

Periodic conventional cleaning techniques can be used to maintain their brilliance.

Glass Doors

The Neoceram glass used in the glass door models is designed and tested for the high temperatures reached in woodburning stoves.

All glass can break with abuse. Prevent logs or heavy objects from hitting the glass section. Do not slam door(s). Overfiring may cause breakage of glass.

Should glass breakage or cracks in the glass occur, contact your Fisher dealer for replacement glass. Cracked or broken glass will cause overfiring of unit.

Clean the glass only when the stove is cool. Do not clean while glass is hot as glass breakage may occur and there is a possibility of sustaining burns.

Place a protective covering on the floor (newspaper, towels, etc.).

Inside Maintenance: Light residue can be cleaned with ashes and a wet paper towel. A commercial cleaner is needed to remove heavy residue. A wet newspaper or a paint scraper can be used to rub off stubborn tar spots. Do not use oven cleaners as they can stain or discolor the glass. Do not use abrasive cleaners as they may scratch the glass.

Outside Maintenance: Wipe glass with a vinegar-water solution. Dry with a clean paper towel.

Glass Replacement

1. Remove screws and glass retainer inside of the door which secure the glass. Take care not to damage the door gasket. If you do, ask your dealer for equivalent material.
2. Measure the size of the opening, allowing 1/16" clearance around all edges. Making a paper template for the size of the glass is suggested.
3. If your dealer is unable to supply you with replacement glass, purchase Neoceram or a suitable ceramic glass, .205" (.5 mm) thick, equivalent to the Neoceram glass.

CAUTION: Replacement with other types of glass may be hazardous and is not recommended.

4. Reinstall gasket around edge of glass, using 1/4" (6 mm) channel tape type from your dealer. Replace damaged parts.
5. Reinstall retainers, making sure the glass is not held rigid. The glass should move slightly within the gasket when screws are tight.

VII. WOOD

Firewood is generally sold by the "cord." A full or standard cord is a stacked pile of logs 8 feet long, 4 feet high and 4 feet deep. Firewood is also sold by the "face" cord which is a woodpile 8 feet long, 4 feet high with the depth of the face cord depending on the length of the logs.

A standard pickup will hold about 1/3 to 1/2 of a full cord.

After it has been cut and split, wood should be seasoned (dried) for at least six months to a year before being used.

Wood should be stored outside, under cover and away from your house (insects like wood piles). Stack the wood so that there is good air circulation between the pieces. The woodpile should be elevated several inches off the ground to prevent decay. Poles, metal pipes, rock, etc. can be used to support the wood off the ground.

The energy content of dry wood is approximately 8,600 BTU/lb. Wet wood uses much of the BTU's to dry itself and can result in a loss of 40% of the heating value of dry wood.

Hardwoods are heavier by volume than softwoods; therefore, there are more BTU's in a cord of hardwood than there are in a cord of softwood. Softwoods, such as fir, are easy to ignite and burn rapidly with a hot flame. Hardwoods, such as oak, have a shorter flame and provide a longer burn time.

Wood Shopper's Guide

(WRAES Chart Revised)

SPECIES	HEAT.	WEIGHT.	SPLIT	START	COALS	SPARKS
Alder	M-L	2540	E	F	G	Mod
Apple	H-M	4400	Dif	Dif	Ex	Few
Ash	H	3440	E-Mod	F-Dif	G-Ex	Few
Aspen	L	2160	E	E	G	Few
Basswood	L		E	E		Few
Beach	H	3760	Dif	Dif	Ex	Few
Birch, White	M	3040	E	E	G	Mod
Birch, Yellow	H-M	3680	Mod	E		Mod
Boxelder						Many
Cedar, West. Red	M-L	2060	E	E	P	Many
Cherry	M	3200	E	Dif	Ex	Few
Cottonwood	L	2160	E	E	G	Mod
Dogwood	H	4230	Dif			Few
Elm	M	2260	V Dif	F	G	V Few
Fir, Douglas	M	2970	E	E	F	Mod
Fir, Grand	L	2160				
Hemlock	M-L	2700	E	E	P	Many
Hickory	VH	4240	Mod	F-Dif	Ex	Mod
Ironwood	VH	4000	V Dif	V Dif	Ex	Few
Juniper	M	3150				Many
Larch, Western	H-M	3330	E-Mod	E	F	Many
Locust, Black	VH	3840	V Dif	Dif	Ex	V Few
Madrone	H	4320	Dif	Dif	Ex	V Few
Maple, Red	H-M	3200	Mod	F-Dif	Ex	
Maple, Sugar	H	3680	Mod	Dif	Ex	Few
Mesquite	VH		V Dif	V Dif	Ex	Few
Mulberry	M					
Oak, Red	H	3680	Mod	Dif	Ex	Few
Oak, White	VH	4200	Mod	Dif	Ex	Few
Pecan	H		Mod		G	Few
Pine, Lodgepole	L	2610	E	E	F	Mod
Pine, Ponderosa	M-L	2240	E	E	F	Mod
Pine, White	M-L	2250	E	E	P	Mod
Pine, Yellow	H-M	2610	E	E	F	Mod
Poplar	L	2080	E	E	F	Mod
Redwood	M	2400	E	E-F	P	Many
Spruce, Engelman	L	2070	E	E	P	Few
Spruce, Norway	L	2240	Mod	E	P	Many
Spruce, Sitka		2340	E			
Sweet Gum	M		Dif	F		Few
Sycamore	M	3300	V Dif	F		Few
Tamarack	H-M		E-Mod	E-F		Many
Walnut	H-M		Mod	F	G	Few
Willow	L	2540	E	F	P	Mod

1 VH-Very High; H-High; M-Medium; L-Low

2 Approximate weight, lbs/cord, for air-seasoned (20% moisture content) wood.

E-Easy; G-Good; P-Poor; Mod-Moderate; Ex-Excellent;

V-Vary; Dif-Difficult; F-Fair.

For further information on using your heater safely, obtain a copy of either the National Fire Protection Association publication, "Using Coal and Wood Stoves Safely," NFPA No. HS-10-1978 (the address of the NFPA is Batterymarch Park, Quincy, MA 02269) or "Heating with Wood — Safely (1980)" by writing to: Energy, Mines and Resources Canada, P.O. Box 4510, Station "E", Ottawa, Ontario, Canada K1S 5K3.

If you have any questions regarding your Fisher Stove which were not answered in this manual, please contact your Fisher dealer or write to GESCO INDUSTRIES, INC., P. O. Box 7817, Roanoke, VA 24019.



*Tested and listed by Warnock
Hersey Professional Services, Ltd.
Report number 4298, (March 1984)
UL-1482-1983/CSA-B366.2M-1983/
ULC-S627M-1983*

Manufactured by:

Membership



4/85 SPC—#2