

GIBRALTAR[®]

**INSTALLATION
OPERATION &
MAINTENANCE**

Mountain View Hearth Products
manuals.stove-parts-unlimited.com

**Manual for Coalburning
Stoves and Fireplace Inserts**

Table of Contents

SECTION A.	General Information and Safety Precautions	
A-1	Introduction	3
A-2	Model Chart	3
A-3	Glossary of Terms	3
A-4	Safety Precautions	3
A-5	Model Diagrams	4
SECTION B.	Installation	
B-1	Preparation—Prefabricated Chimney	7
B-2	Preparation—Masonry Chimney	7
B-3	Installation Procedures	9
B-4	Installation of Freestanding Stoves on Floor	9
B-5	Installation of Fireplace Inserts	9
B-6	Installation of Stoker	9
SECTION C.	Operation	
C-1	Break-in Procedure	11
C-2	Emergency Operation	11
C-3	Operation Using Coal	11
C-4	General	11
C-5	Starting a Fire	11
C-6	Stoking	11
C-7	Operating Shaker Grates	12
C-8	Banking	12
C-9	Removing Ash	12
C-10	Klinkers	12
C-11	Operation-Stoker	12
C-12	Starting the Stoker	13
SECTION D.	Maintenance	
D-1	Introduction	14
D-2	Chimney Maintenance	14
D-3	Blower Maintenance	14
D-4	Door Maintenance	14
D-5	Firebox Maintenance	14
D-6	Exterior Maintenance	14
D-7	Brick Replacement and Grate Installation—Models CFI, CFS, MCC, DDI, LCC, SCC, SCR & DDS	15
D-8	Stoker Maintenance	15
SECTION E.	Clearance to Combustibles	16

**CAUTION: THESE HEATERS ARE ONLY FOR BURNING COAL.
USE OF ANY OTHER SOLID FUEL, EXCEPT
FOR COAL IGNITION PURPOSES IS A
VIOLATION OF FEDERAL LAW**

Section A

GENERAL INFORMATION AND SAFETY PRECAUTIONS

A-1. Introduction

This manual covers installation, operation and maintenance for the Gibraltar coal burning stoves and fireplace inserts listed in the model chart below. A glossary of terms is provided in Section A-3, (below) and illustrations showing the various models are provided on

page 4. Using the model chart and illustrations, identify your stove model so that you may recognize the information pertaining to your stove. The term **stove**, as used in this manual, is also applicable to fireplace inserts except where noted.

A-2. Model Chart.

Designation	Installation	Type	Heat Circulation	Flue Size
MCC	Freestanding	Stove	Fan	6 in.
CFS	Freestanding	Stove	Radiant	6 in.
CFI	Insert	Insert	Fan	6 in.
DDI	Insert	Insert	Fan	7 in.
SCC	Freestanding or Hearth	Stove	Fan	6 in.
SCR	Freestanding or Hearth	Stove	Radiant	6 in.
LCC	Freestanding	Stove	Natural Convection or Fan	7 in.
DDS	Freestanding or Hearth	Stove	Radiant & Nat. Convection or Fan	6 in.
Stoker LR	Freestanding	Stove	Fan	6 in.

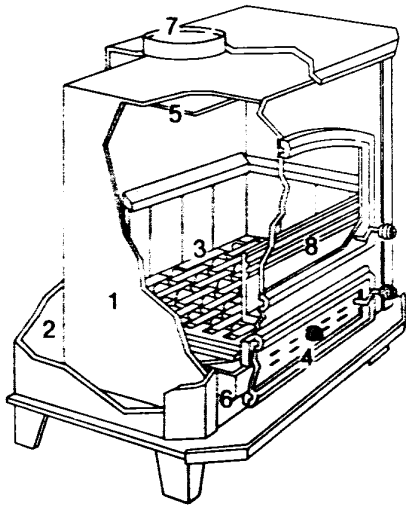
A-3. Glossary of Terms.

- a. **Combustion**—The chemical union of a combustible material and oxygen in the production of heat.
- b. **Combustible Material**—Materials that will ignite or burn if subjected to fire or intense heat.
- c. **Non-Combustible Material**—Materials that will not ignite or burn if subjected to fire or intense heat.
- d. **Hearth**—The stone or brick floor of a fireplace.
- e. **Hearth Extension**—A non-combustible material placed around a fireplace or stove as part of the floor of the room in which they are placed.
- f. **Chimney Connector**—Single or multiple wall pipe used between stove flue connection and chimney.
- g. **Chimney**—A structure through which smoke escapes from a fire.
- h. **Creosote**—Chimney deposits originating as condensed organic vapor or condensed tar fog.
- i. **Carbon Monoxide (CO)**—A colorless, odorless, poisonous gas formed by incomplete burning of coal.
- j. **Carbon Dioxide (CO₂)**—The non-combustible gas product resulting from complete combustion of the carbon in coal.
- k. **Coal Ash**—That portion of the mineral substances in the coal which remains after the combustible has been burned; it is the inorganic substances in the coal and has no heating value.
- l. **Klinkers**—A fuel bed should never be poked or stirred, this brings ash in contact with incandescent, molten coke thus forming a klinker. (Refer to Section C-10, page 12.)
- m. **Coal Grate**—The casting assembly that supports the fuel bed so that primary air may be supplied for combustion of the gases. It also provides the means of ejecting ash from the fuel bed.

- n. **Coal Hod**—A bucket with a lip and handle for carrying coal and stoking coal through the fire box door.

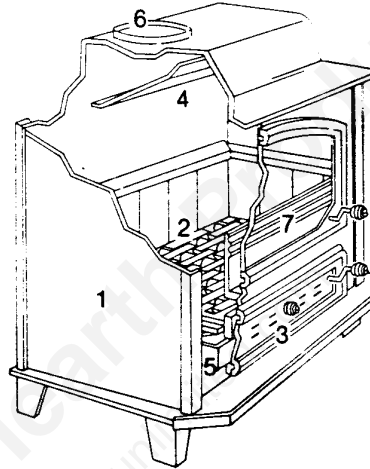
A-4. Safety Precautions.

- a. **Never start a fire using gasoline, charcoal lighter fluid or other combustible liquid. Kindling wood and newspaper are the recommended starting materials.**
- b. **The use of a smoke detector and a gas sniffer is recommended with any brand of coal appliance.**
- c. Keep all combustible materials at least three feet from your stove. Such materials can become extremely hot with the potential for causing burns or fire. If an object is too hot to touch, it is too near the stove.
- d. Clean the fire box of your stove regularly. When removing ashes, always place them in metal containers and dispose of properly.
- e. If your stove is connected to a masonry chimney, be sure that the mortar is sound and that the chimney has a fireclay or metal liner. (Refer to Section B-2, page 7.)
- f. If the chimney connector enters a sidewall, be sure that it enters in a perpendicular or inclining position. (Refer to Figure B-3, page 9)
- g. Burning coal leaves a residue of ash and creosote-like substances in the chimney. Inspect and remove deposits when necessary, on a regular schedule. This preventive maintenance will decrease the possibility of a chimney fire. Also, check proper seating of chimney connector to stove and chimney. (Refer to Section D-2, page 14.)
- h. To avoid smoke blowback into room, open primary air control for at least one minute before opening door(s).



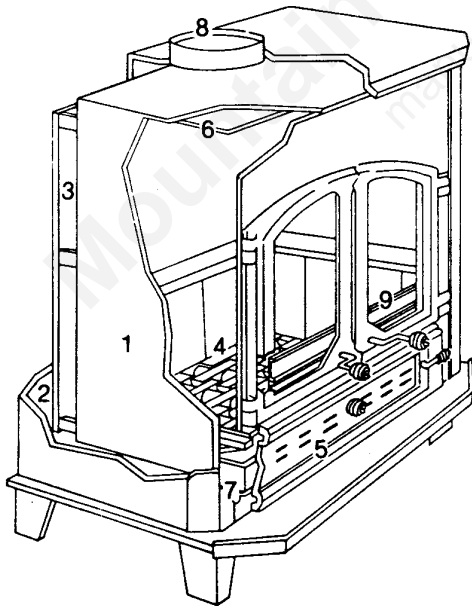
- 1. Firebox
 - 2. Convection Chamber
 - 3. Coal Grate
 - 4. Primary & Secondary Air Ports
 - 5. Baffle
 - 6. Ash Pan
 - 7. Flue 6" I.D.
 - 8. Coal Banking Plate
- Coal Capacity 85 lbs.
Weight: 600 lbs.

Figure A-1: Model MCC



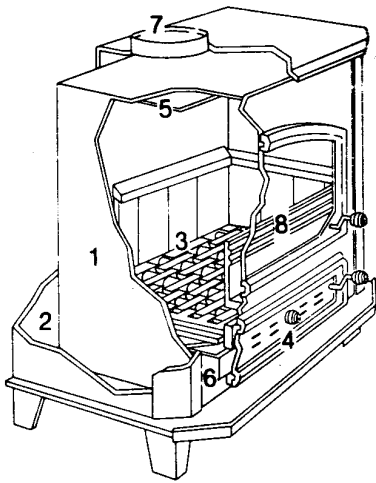
- 1. Firebox
 - 2. Coal Grate
 - 3. Primary & Secondary Air Ports
 - 4. Baffle
 - 5. Ash Pan
 - 6. Flue 6" I.D.
 - 7. Coal Banking Plate
- Coal Capacity 85 lbs. (nut/pea)
Weight: 485 lbs.

Figure A-2: Model CFS



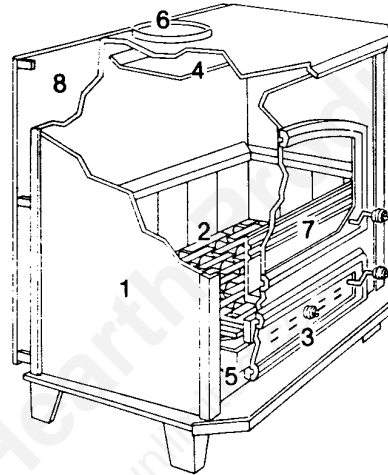
- 1. Firebox
 - 2. Convection Chamber
 - 3. Inner Heat Shield
 - 4. Coal Grate
 - 5. Primary & Secondary Air Ports
 - 6. Baffle
 - 7. Ash Pan
 - 8. Flue 7" I.D.
 - 9. Coal Banking Plate
- Coal Capacity 100 lbs.
Weight: 670 lbs.

Figure A-3: Model LCC



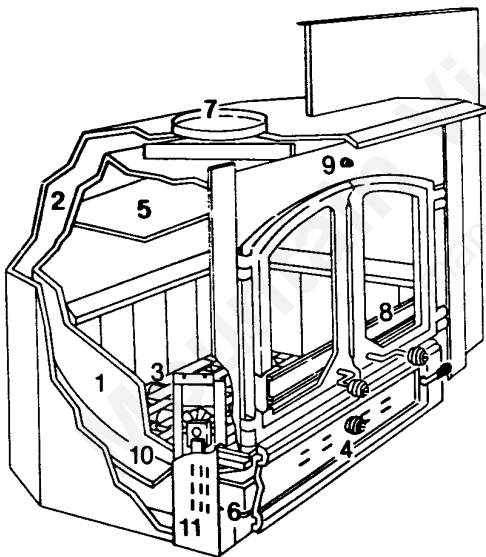
- 1. Firebox
 - 2. Convection Chamber
 - 3. Coal Grate
 - 4. Primary & Secondary Air Ports
 - 5. Baffle
 - 6. Ash Pan
 - 7. Flue 6" I.D.
 - 8. Coal Banking Plate
- Coal Capacity 45 lbs.
Weight: 475 lbs.

Figure A-4: Model SCC



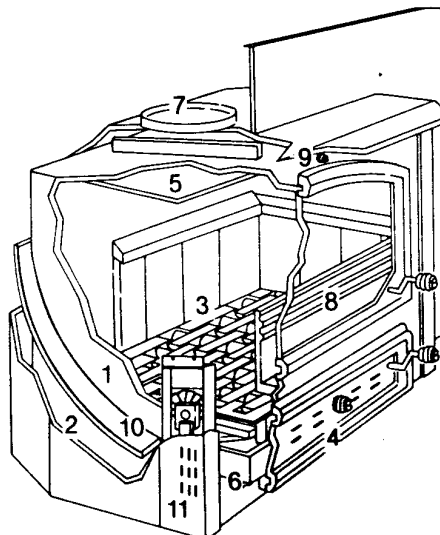
- 1. Firebox
 - 2. Coal Grate
 - 3. Primary & Secondary Air Ports
 - 4. Baffle
 - 5. Ash Pan
 - 6. Flue 6" I.D.
 - 7. Coal Banking Plate
 - 8. Heat Shield
- Coal Capacity 45 lbs.
Weight: 405 lbs.

Figure A-5: Model SCR



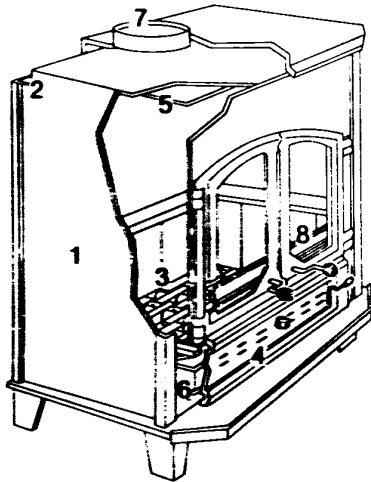
- 1. Firebox
 - 2. Convection Chamber
 - 3. Coal Grate
 - 4. Primary & Secondary Air Ports
 - 5. Baffle
 - 6. Ash Pan
 - 7. Flue 7" I.D.
 - 8. Coal Banking Plate
 - 9. Damper
 - 10. Air Vanes/Heat Exchg.
 - 11. Insert Blower
- Coal Capacity 85 lbs. (nut/pea)
Weight: 670 lbs.

Figure A-6: Model DDI



- 1. Firebox
 - 2. Convection Chamber
 - 3. Coal Grate
 - 4. Primary & Secondary Air Ports
 - 5. Baffle
 - 6. Ash Pan
 - 7. Flue 6" I.D.
 - 8. Coal Banking Plate
 - 9. Damper
 - 10. Air Vanes/Heat Exchg.
 - 11. Insert Blower
- Coal Capacity 85 lbs. (nut/pea)
Weight: 650 lbs.

Figure A-7: Model CFI



- 1. Firebox
 - 2. Convection Chamber
 - 3. Coal Grate
 - 4. Primary & Secondary Air Ports
 - 5. Baffle
 - 6. Ash Pan
 - 7. Flue 6" I.D.
 - 8. Coal Banking Plate
- Coal Capacity 55 lbs.
Weight: 450 lbs.

Figure A-8: Model DDS

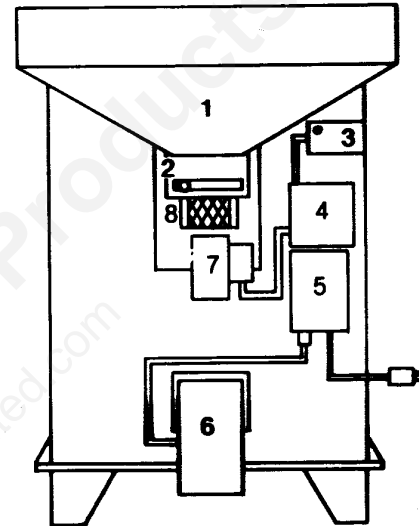
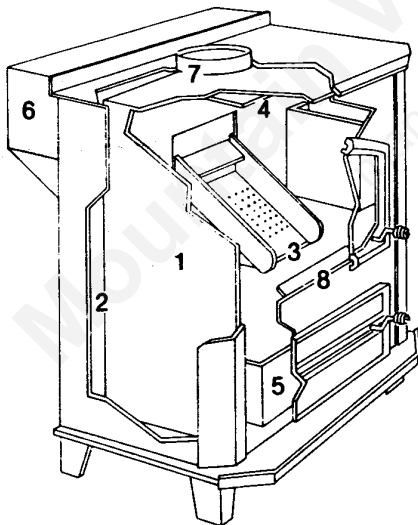


Figure A-9: Model STOKER LR (Rear)



- 1. Firebox
 - 2. Convection Chamber
 - 3. Grate
 - 4. Baffle
 - 5. Ash Pan
 - 6. Coal Hopper
 - 7. Flue 7" I.D.
 - 8. Ash Deflector
- Coal Capacity 80 lbs. (rice/buckwheat)
Weight: 600 lbs.

- 1. Hopper
- 2. Stoker Mechanism
- 3. Limit Switch (Thermostat Probe)
- 4. Timer
- 5. Honeywell Relay
- 6. Convection Blower
- 7. Combustion Blower
- 8. Feed Motor & Ram

Figure A-9: Model STOKER LR

Section B

INSTALLATION

B-1 Preparation: Prefabricated Chimney.

Install or inspect existing prefabricated chimney system in accordance with manufacturer's instructions. Be sure chimney meets National Fire Protection Association and all local codes governing installations of this type. Chimney area must be equal to or greater than flue area of stove.

B-2. Preparation: Masonry Chimney.

A stove and chimney filled with hot light gas (smoke) will exert a pressure inside the stove that is less than that of the cooler surrounding air, creating a pressure difference called draft. Experience shows that approximately 70% of heating difficulties are traceable to draft. The causes of poor draft and the remedies are covered in the following:

- a. If the cross sectional area of a chimney is too small it will be impossible to get quick pick-up or rapid burning and the result is insufficient heat. Be sure chimney area is equal to or greater than flue area of stove.
 - b. If the chimney is too large in cross sectional area, gases expand and cool, causing a reduction in draft. This may be corrected by installing an induced draft fan or a UL listed chimney lining system, if changes to the chimney are too costly.
 - c. A chimney must always clear the top of the building it serves, otherwise a downdraft condition can be experienced.
 - d. Chimney cleanout door must be tight or cold air will be drawn in between the cleanout door and frames. This will cool the gases and reduce available draft.
 - e. A chimney must be tight at all joints and free from holes, cracks or other openings. Gibraltar recommends professional repair or installation of a UL listed chimney lining system.
- f. It is not recommended that a chimney serve more than one heater. Never connect a coal burning stove to the same chimney used by a gas furnace.
 - g. The inside of a chimney must be free from mortar, brick or tin that may partially restrict the flue area of the chimney and thus retard the flow of gases up the stack, in turn reducing the draft. Such restrictions may generally be located by lowering a weight at the end of a rope down the flue. The descent of the weight will be interrupted by any such restriction. Another method is to use a mirror as shown in Figure B-1, (below).
 - h. A chimney should be of uniform cross sectional area throughout its length. To check this condition use mirror as illustrated in Figure B-1, (below).
 - i. A chimney connector must not project into the inside of a flue. The connector shown in Figure B-2, (below) chokes the flow of gases from the connector to the chimney and severely restricts draft. Correct installation is shown in Figure B-3, (below).
 - j. Chimney connectors should be straight and as short as possible, with an upward pitch.
 - k. If a chimney is divided by a wall, thus making two flues instead of one, the dividing wall must go from the top to the bottom without a break or leaks. If a dividing wall does not go to the bottom and only one stove is in operation, eddy currents will be set up and the draft will be restricted.
 - l. A chimney cap must provide an area of escape equal to or greater than the cross-section area of the chimney.
 - m. Stove pipe (connecting the stove to the chimney) must be installed per dealer instructions or to local code in effect. Stove pipe should be as short as permissible, with few, if any, elbows.

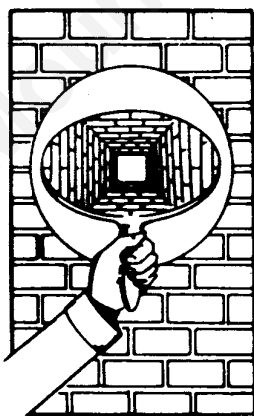


Figure B-1
CHIMNEY INSPECTION
BY MIRROR

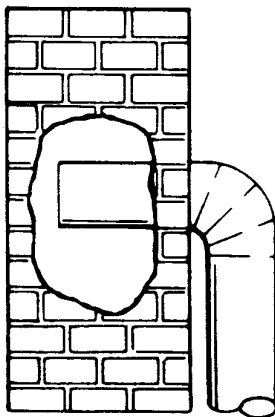


Figure B-2
INCORRECT

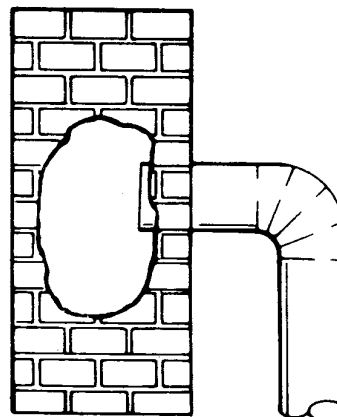


Figure B-3
CORRECT

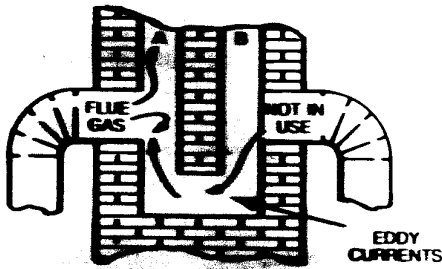


Figure B-4: Draft loss through interconnecting flues

Figure B-4 illustrates how cold air can be drawn from chimney "B" into chimney "A" thereby acting as a check draft, cooling the gases in chimney "A", thus reducing available draft. A single cleanout door at the bottom of a divided chimney generally denotes that the dividing wall has not been carried to the bottom of the flues. By using a mirror at the spot where the chimney connector enters the stack, a discontinued dividing wall can be viewed. This condition may be corrected by filling the lower part of the chimney with ashes. If the dividing wall in the chimney does not run all the way to the chimney top, the effect produced will be similar to that of a chimney that is too large, permitting hot gases to expand and cool, thereby reducing the draft.

Chimney section adapted from literature by the Anthracite Institute Laboratory, Harrisburg, Pennsylvania, and the Pennsylvania Coal Mining Association.

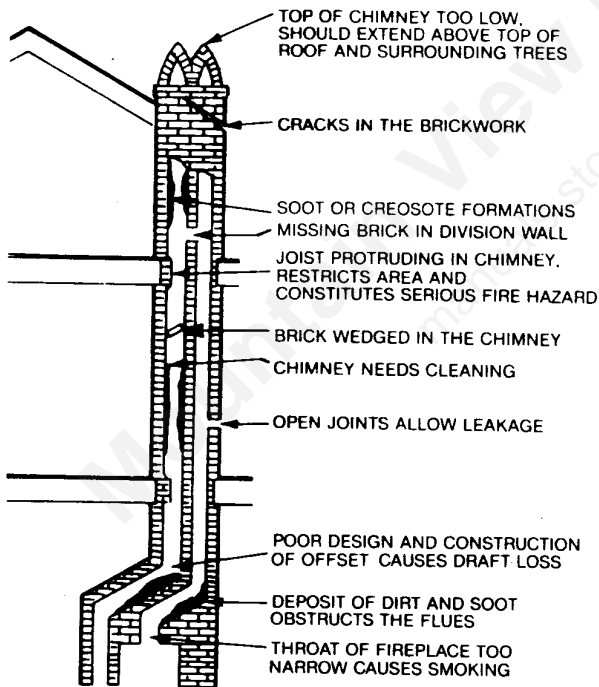


Figure B-5: Causes of poor draft

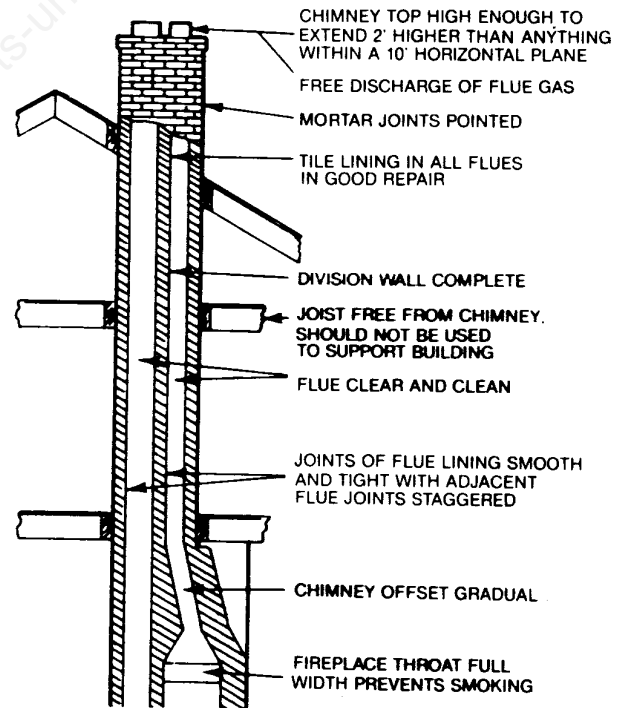


Figure B-6: Requirements for proper draft

B-3. Installation Procedures.

WARNING

Minimum distances to combustible material must be maintained to prevent damage or injury. Gibraltar Stoves are not recommended for use in mobile homes.

Gibraltar recommends that their stoves, as well as the type of chimney selected, be installed by experienced certified installers. If installing your own stove, be sure all National Fire Protection Association, state and local codes which govern this type of installation are followed. The instructions provided below are intended as a guide and cannot cover every situation or guarantee conformance to all applicable codes.

B-4. Installation of Freestanding Stoves on Floor.

For Models LCC, MCC, CFS, DDS, SCR and SCC, these steps listed below provide general instructions for installing stoves on a hearth extension that is equivalent to 3/8" thick asbestos.

- See label on stove for minimum clearance to combustibles.
- Install hearth extension on floor and mark outline of intended stove position.
- Remeasure from outline to check minimum distances to combustible materials.
- Removing doors, bricks, grates, coal and banking plate other easily detachable items will lighten stove, thus making the following steps easier.
- Place stove on hearth extension and reinstall items removed in step d. Refer to Section D-7, (page 15) for brick and grate installation.
- Connect chimney. If using a prefabricated chimney, refer to manufacturer's instructions. Horizontal runs must be installed with an upward pitch. Chimney connector must be fastened at each joint with at least three stainless steel screws. Also a minimum of 2" air gap must be maintained around chimney and chimney connector. If using a masonry chimney refer to Section B-2, (page 7).
- Chimney must be capable of providing a .04 minimum draft reading. Gibraltar recommends installation of a barometric damper on all freestanding stoves. Read and carefully follow manufacturer's installation and operating instructions provided with damper. A damper is not needed with the Gibraltar Stoker stove, except in unusually high (.08 or higher) draft conditions.

B-5. Installation of Stoker.

NOTE: For proper operation, this unit **MUST** be installed completely level.

- Follow steps a, b, c, e, f and g of Section B-4.
- Mount remote wall thermostat following instructions packed with thermostat. Connect the 18-2 thermostat wire from stove control to thermostat.

- Wiring diagram is provided.
- A 115v, 15 amp, 50/60 cyc. grounded receptacle must be available to provide power during operation.

B-6. Installation of Fireplace Insert.

(Models DDI & CFI.) Steps below provide general instructions for installing fireplace inserts.

WARNING

Gibraltar fireplace inserts are not approved for installation in prefabricated (zero clearance) fireplaces. Data labels for clearance to combustibles and required floor protection is attached to each stove. Contact your local dealer, building or fire officials about restrictions and installation inspection in your area.

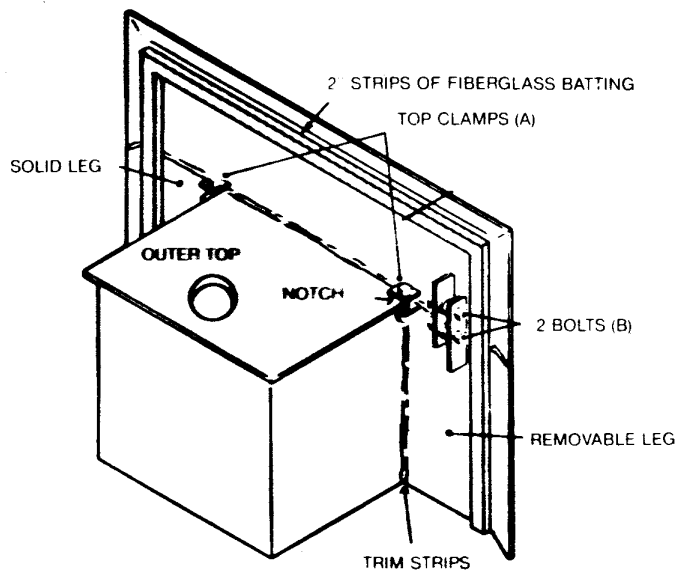
- Check condition of chimney in accordance with Section B-2, (page 7).
- Rough mark position of insert on fireplace hearth. Be sure you have the following clearances to combustible materials.
 - From side of insert (not shield) = 12". If not, extend brickwork.
 - From front of insert = 20". If not, add hearth extension.
 - From top of insert (not shield) = 18". If not, extend brickwork or relocate mantel.

CAUTION: From front of stove, maintain 36" to combustibles (chairs, tables, clothing, etc.).

- Chimney area must be equal to or greater than flue area of stove.
- Gibraltar recommends installation of a UL approved flue sealing kit. Study the instructions provided with the kit and integrate this information into the procedure as necessary.
- Remove existing damper or lock in open position.
- Removing doors, bricks, grates, coal banking plate and other easily detachable items will lighten insert, thus making placement in hearth easier.
- Install insert into fireplace opening.
- Install blowers per instructions in blower package.

SHIELD INSTALLATION

- Remove top clamps (A) on both sides of shield.
 - Remove 2 bolts (B) that hold on removable leg.
 - Set shield (less leg) on insert and put into position (flush with fireplace front). Check appearance of installation and make final adjustment of insert and shield. On most installations, the shield will be flush with blower covers.
 - Mark top of insert with chalk (or other easily erasable material).
 - Pull insert back out onto hearth far enough to enable final installation of shield.
 - Pull shield tight to the right.



7. Replace removable leg and replace bolts. (If shield edges are not even, bolts will not line up. Trim strips on inside of legs can be forced in or out to align legs to insert).
8. Position shield on chalk line and tighten all bolts and clamps.
9. Install shield trim per instructions in trim box.
- j. Using acrylic caulk or RTV silicone, glue strips of fiberglass batting around rear perimeter of shield. If fireplace surface is of rough brick or stone, add additional strips of fiberglass batting to ensure good seal.
- k. Slide insert and shield assembly into fireplace until aligned with marks made in step i. (4). Be sure fiberglass batting is tight against front of fireplace.
- l. Reinstall items removed in step f. Refer to Section D-7 for brick and grate installation, (page 15).

WARNING: Be sure the flue opening of the insert is directly in line with the chimney opening and clears the lintel.

Figure B-7: Shield Installation

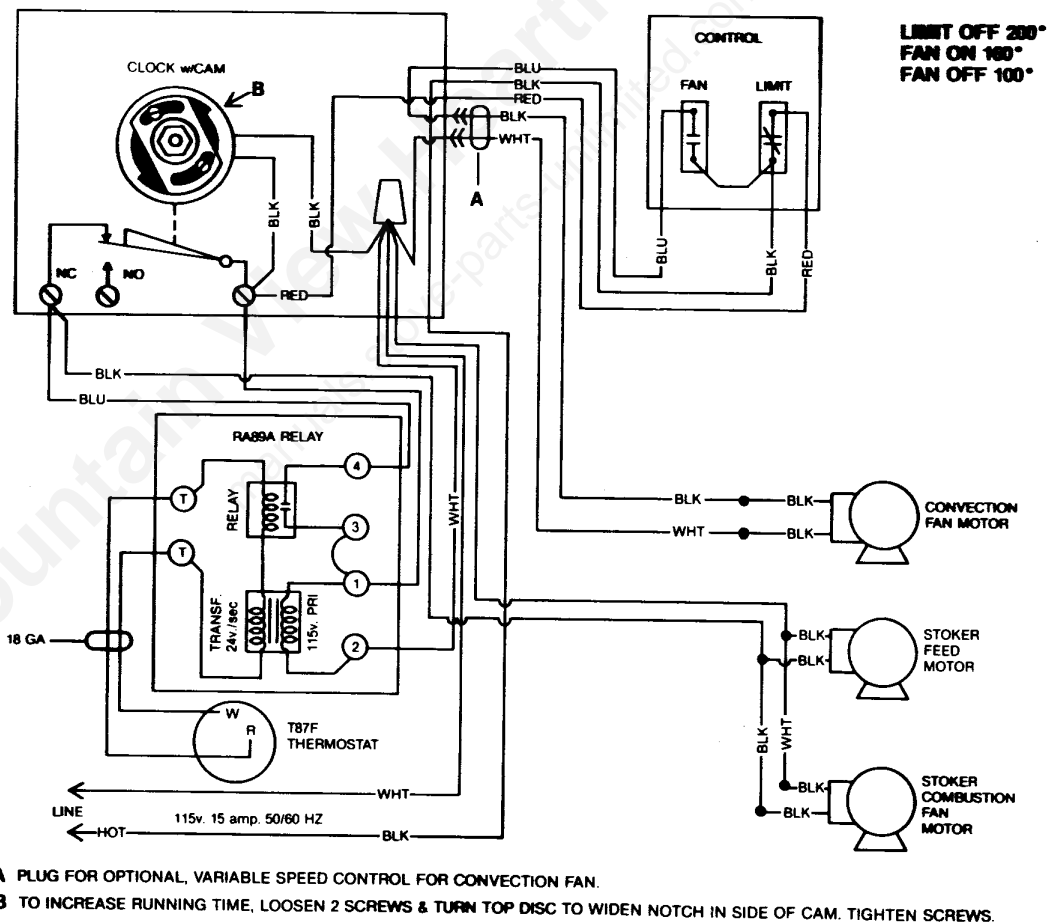


Figure B-8: Wiring diagram for Gibraltar Stoker stove.

Section C

OPERATION

C-1. Break-In Procedure.

New stoves need a break-in period. For the first eight hours, burn a low fire in the stove. At first the finish on the stove will cause some smoking, but this will only last a short time. Repeat this procedure each time the stove is repainted.

C-2. Emergency Operation.

(Models MCC, LCC, SCC, DDS, DDI & CFI). These are designed to operate with blower(s) running, if so equipped. In the event of prolonged power failure or blower malfunction, remove blower(s) to allow more natural convection to occur. Refer to Section D-3, (page 14).

C-3. Operation Using Coal.

WARNING

Read all of the operating instructions provided in paragraphs C-4 to C-12 before attempting to use your stove. Personal injury, damage to the stove and/or surrounding areas can result from improper use.

C-4. General Information

Always be sure you are using the right coal. Gibraltar recommends Anthracite coal. Cannel coal is not intended for use in stoves because it contains substantial amounts of volatile materials which may cause explosions.

Coal is generally available in five sizes: rice, buckwheat, pea, nut (chestnut) and stove. The preferred size for freestanding stoves and inserts is nut. Stove coal is too large for home stoves. The Gibraltar Stoker unit must use rice, buckwheat or a mixture of both.

Before operating a stove using coal, the burning and combustion process must be understood. All coal contains some amount of volatile gases which can gather above the coal bed, leading to a potentially explosive situation. Most coal stoves utilize a separate secondary air control to prevent this. In the new Gibraltar combustion air control system, need for a secondary air control has been modified, as explained below, thereby simplifying operation.

A coal bed consists of three combustion zones. The lower zone (that closest to the grates) is the oxidation zone. In this zone, carbon from the coal and oxygen from the primary air draft combine to form carbon dioxide. In the middle, or reduction zone, carbon from the coal combines with the remaining oxygen to form carbon dioxide but sufficient oxygen is not available. Therefore, carbon monoxide is formed. In the upper or distillation zone, CO

percolates up from the reduction zone while tars and hydrocarbons are being distilled from the raw coal. These substances and CO gas are combustible at ignition temperature. In the Gibraltar draft system, a portion of the primary air is diverted through an opening in front of the coal grate to supply pre-regulated and pre-warmed secondary air. This air travels up between the coal banking plate and the door. This fresh supply of air provides oxygen for combustion of the tars, hydrocarbons and CO gas which are rendered into additional heat, harmless CO₂, nitrogen and water vapor.

Because of the presence of these volatile gases and the need for proper flow of air through the coal bed, precise operating instructions are provided in the paragraphs below. Read and follow these instructions to ensure safe and efficient use of your stove.

C-5. Starting a Fire.

To start a fire proceed as outlined below:

- Install banking plate as seen in Fig. A-1 thru A-8 (page 4). NOTE: Banking plate **MUST** be in position when lighting and maintaining a coal fire.
- On Models DDI & CFI open (pull out) damper.
- Move the primary air control pin to the full open position.
- Start a fire using preferably newspaper and wood kindling. Allow this fire to burn until a bed of wood coals is established.
- Spread two or three shovels full of coal over the wood coals. Leave the ash pan door open slightly until coal fire is established. Do not leave stove unattended with bottom door open.
- After the fire has spread throughout the bed, add twenty-five to thirty pounds of coal and close bottom door.
A convenient method for measuring coal is to use a coal hod, or scuttle. A coal hod will hold approximately twenty-five pounds of coal.
- Allow fire to burn until small blue flames lick up between coals. Up to this point, patience is required. You must wait until the blue flames appear before adjusting primary air control.
- For best combustion efficiency, fill unit with coal to just below cast iron brick retainers. Adjust primary air control to establish rate of burn. Use care in this adjustment, too little air will cause fire to burn sluggishly, too much air will result in too hot a fire, thus wasting fuel.
- This heater is only for burning coal. Use of any other solid fuel, except for coal ignition is a violation of federal law.

C-6. Stoking (Adding Coal).

WARNING

Open primary air and damper for one minute before opening door(s). This will prevent blowback caused by the quick ignition of smoke and ash.

When the fire is stoked a red "hot spot" should be maintained in the fire box. These red coals will ignite and burn off the volatile gases released by the fresh coal before they can accumulate. New coal may crackle and pop when spread over the coal bed. Because of the gases released and the need to quickly ignite them, coal must never be added atop a bed which has been allowed to cool.

If the bed has become cold, re-kindle the fire using newspaper and wood kindling before stoking. (Refer to Section C-5). **Never use any flammable liquid to restart a fire.** To stoke a fire, do the following:

- Open primary air control and damper for one minute before opening door(s).
- Open fire box door(s) and add coal as desired by evenly spreading it over the bed. An open spot of glowing coals must be left uncovered by new coals. This spot should be approximately four inches in diameter and at the center or front of the fire box. The limiting factor on how much coal to add is that the bed should not be built above the bottom edge of the fire brick retainer.
- Gently shake the grates until a few live coals drop into the ash pan before closing ash pan door. Allow fire to re-establish before fully closing the ash pan door and readjusting primary air control and damper.

C-7. Operating Shaker Grates.

The shaker handle is supplied loose. To operate the shaker mechanism on Models CFI, CFS, SCC, DDI, LCC, DDS, SCR or MCC, the handle is placed onto the square peg which is located inside the ash pan door. The grates should be shaken whenever the fire is stoked or when ash build up begins to cut off the supply of primary air up through the bed. Use care when operating the shaker mechanism, rough use—such as attempting to dislodge a piece of coal from between grates—can damage the mechanism between grates. Also, excessive shaking can cause formation of klinkers or cause the fire to go out. To shake down the ash build up, do the following:

- Open the primary air control for one minute before opening the ash pan door. Open ash pan door and install shaker handle. Shake down ashes until a few live coals drop into the ash pan.
- Leave the primary air control open until the fire revives, after shaking down, and then readjust to maintain desired rate of burn.

C-8. Banking.

Banking of a fire is a procedure not required when using a Gibraltar coal stove. Load coal evenly in fire box just below brick retainer.

C-9. Removing Ash.

A coal fire receives its oxygen from the bottom. Also, coal produces an abundance of ash. If ash build up is not removed from the ash pan it begins to restrict flow of oxygen to the bed. This not only leads to the possibility of gas build up in the top of the fire box, but it also causes overheating and damage to the grates. To remove ash build up do the following:

- Turn blowers **OFF**, if equipped, to prevent hot embers from being blown onto combustible materials.
- Open the primary draft control for one minute before opening the ash pan door.
- Carefully remove the ash pan. Use protective gloves and be sure hot ashes are not spilled from the pan onto combustible surfaces. Empty the ash into a metal container that can be sealed with a tight fitting lid. Place the metal container on a non-combustible floor and in a safe location. Be sure ash is fully cooled before disposal.
- Before re-installing ash pan, clean out any ash which has spilled onto bottom of stove. Re-install ash pan and readjust primary air and damper.

C-10. Klinkers.

Coal ash contains iron and other metal deposits which, if allowed to gather towards the top of the fire bed, will combine with ash to form hard chunks called klinkers. Some klinkers will shake down with ash but some will remain to fuse with others to form larger chunks. As klinkers build up the fire will begin to act sluggish, or the fire will burn out, due to the blockage of primary air. At this time, the fire must be allowed to cool and the klinkers removed with tongs or protective gloves. Then the fire can be rebuilt.

Never poke or stir a coal bed as this will bring ash to the top where klinkers are formed.

C-11. Operation—Stoker

A thermostat is used to regulate the heat output of the stoker. When no heat is required to maintain home temperature, the stoker mechanism will cycle for approximately 1 minute every 7 minutes to prevent the fire from going out. If home heat is required, the stoker will fire automatically until the thermo-temperature setting is achieved.

The stoker has an adjustable feed rate from 1/2 lb. per hour to 4 1/2 lbs. per hour.

It is recommended that you run a low fire for the first 8 hours to allow the paint to cure and to temper the cast iron grate.

Stoker unit **MUST** be operated with the doors closed, except for brief inspection of the fire and removal of ash pan to avoid the escape of harmful combustion gases.

Do not use bituminous coal or any pellet fuels in this unit as they can result in hopper fires or explosions.

C-12. Starting the Stoker :

- a. Turn the thermostat setting to **90 degrees**, and be sure unit is unplugged.
- b. Fill hopper with anthracite **rice, buckwheat** size coal, or a mixture of both. Larger size coal may block ram feeder mechanism and damage unit.
- c. Set small shutter on side of combustion blower 1/2 to 3/4 way open.
- d. Place small firebrick at the end of the sloped stoker grate to act as a dam for the coal.
- e. Place **SELF LIGHTING** charcoal brickettes on grate above forced air combustion holes in grate. **DO NOT** use lighter fluid, gasoline, or any liquid fuel to start a fire.
- f. Roll several newspaper balls and place in ash pan and close top door.
- g. Open lower door.
- h. Light newspaper balls. When these burn they will warm the chimney to create additional draft.
- i. After newspaper balls are burnt, ignite self-lighting charcoal brickettes on grate.
- j. After brickettes are red hot, shovel several scoops of **rice or buck** size coal on top of brickettes.
- k. **Close lower door and plug unit into grounded wall receptacle.**
- l. Find coal feed adjuster, painted white on stoker unit, and while it is withdrawing (moving towards you) turn it counter-clockwise as far as it will go. **USE FINGERS ONLY.** Do not use wrench on feed adjuster.
- m. When coal is burning and grate is full, carefully pull brick off grate with fireplace poker, and allow to fall into ash pan. Later, upon initial removal of ashes, take brick from ash pan and store for future starts.
- n. Turn coal feed adjuster approximately 8 turns clockwise. Further coal feed adjustment should be made so that when stoker is running to satisfy thermostat, you will have a full grate (carpet) of burning coal except for the first 3 inches of new coal and the last 2 inches which will be ash.
- o. Readjust thermostat to desired setting.
- p. Air setting on combustion blower: normally the shutter is set 3/4 way open. However, if klinkering occurs, increase the opening, or if ash carpet is more than 2" long and moving up the grate, decrease the opening, but never to less than 1/2.
- q. Timer setting: It may be necessary to change the setting in either unusually high or low draft conditions. The timer should be set in such a manner that the fire is maintained with the shortest possible running time. To increase running time, loosen two screws, move top disk clockwise to widen the notch on the timer cam, then tighten screws. (It is not recommended to reduce running time to less than one minute.)
- r. Honeywell limit switch comes preset from factory and no adjustment is necessary. (Refer to Figure C-2, below.)

For normal operation the white button should be in the pulled-out position. This will allow the convection blower to run automatically when needed. Having the button in the pushed-in position, the blower will run constantly and this is not recommended.

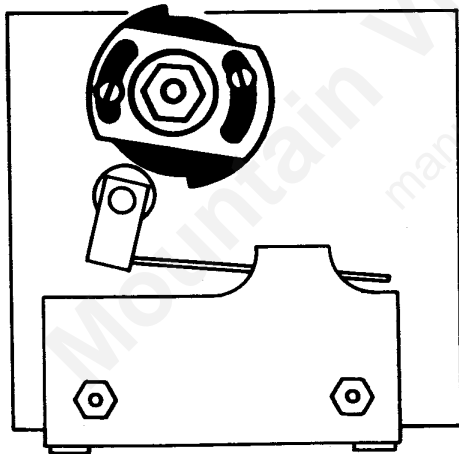


Figure C-1: Timer

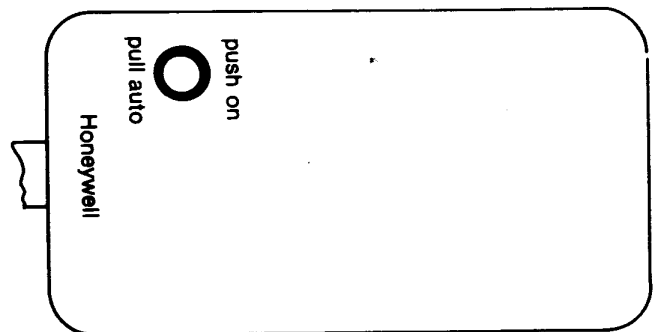


Figure C-2: Limit Switch

Section D

MAINTENANCE

WARNING

Disconnect all electrical power before attempting maintenance.

Be sure fire is completely burned out and stove has cooled to room temperature before attempting maintenance.

D-1. Introduction

The following paragraphs are intended to assist you in keeping your stove attractive and safe. Perform this maintenance at least at the beginning and end of each heating season and more often if necessary.

D-2. Chimney Maintenance.

Chimney maintenance is important. Coal leaves a residue in the chimney. Deposits are combustible and therefore a cause of chimney fires. Use of anthracite coal will necessitate cleaning the chimney twice each season. Use of bituminous coal will necessitate cleaning the chimney every six weeks. Gibraltar recommends professional chimney cleaning. If you are to clean your own chimney the following precautions are recommended:

- Inserts and stoves installed on fireplace hearths should be pulled out and the fireplace interior cleaned of soot and ash buildup.
- Be sure chimney connector and seal of shield to fireplace is in good condition. If a flue sealing kit was used in initial installation, re-seal to fireplace after chimney is cleaned. Replace any broken or worn parts.
- Creating sparks in cleaning must be avoided. Dislodged coal dust can ignite and explode if metal tools are used in the sweeping process. Polypropylene nylon or hassine brushes, should be used. Wooden or fiberglass chimney rods with brass fittings are also recommended.
- After the final burning for the season, the flue should be washed with a mixture of vinegar and water to help preserve the flue liner.

D-3. Blower Maintenance.

(Models MCC, SCC, LCC, DDS, DDI or CFI) Unplug blower(s) and remove by unfastening mounting screws. Use care when removing blower that blower wheel or bearings are not damaged. Inspect blower; in the event of damage or excessive wear, return blower to Gibraltar address. Mark package "ATTENTION BLOWER REPAIR DEPARTMENT." Repairs will be made in accordance with the blower warranty.

If blower is in good condition, carefully vacuum any accumulated dirt from blower and blower compartment.

D-4. Door Maintenance.

Check seals around doors. If missing or frayed, replacements are available at your local dealer.

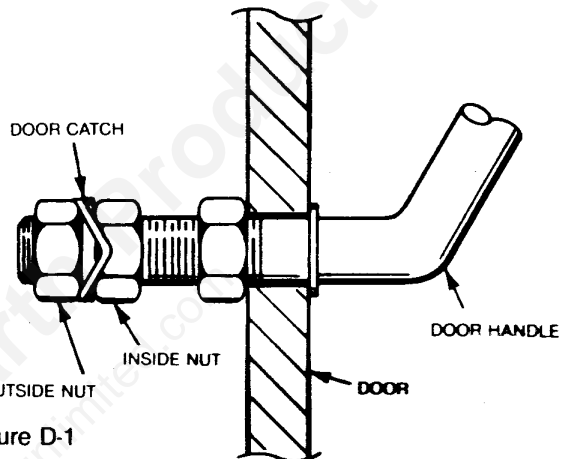


Figure D-1

If door does not close tight against rope seal, readjust door catch (Refer to Figure D-1, above) by loosening outside nut while holding inside nut in position with proper wrench. Turn inside nut one turn towards door. Hold inside nut and catch in proper position and tighten outside nut. Check operation of door; if still loose, repeat above procedure until tight.

Check seals around inserts and check for cracks. If seals are broken or if glass is cracked, remove glass insert by unfastening screws located around glass insert on inside of door. Replacement inserts are available from your Gibraltar dealer.

To clean glass, use a special glass cleaner available at your local dealer. A brush-on type cleaner is recommended. If a spray-type cleaner is used, do not spray painted areas. Use of cleaners such as steel wool or abrasive cleaners is not recommended in that they may scratch glass surface leading to cloudiness or cracks.

D-5. Fire Box Maintenance.

Remove ash, bricks and baffle plate. Clean fire box, bricks and baffle plate using a stiff bristle brush. Sand and repaint, if desired, as suggested in Section D-6, (below).

D-6. Exterior Maintenance.

Clean exterior surfaces of stove using an all-purpose type spray cleaner. Sand any areas showing corrosion and, after preparing surface in accordance with paint manufacturer's instructions, repaint using a high temperature paint, available at your local dealer.

D-7. Brick Replacement and Grate Installation.

(Models CF, LCC, DDI, CFS & MCC.) To install brick and grates, refer to Figure D-2, (below) and do the following: (Model SCC, DDS and SCR—similar but smaller set, parts #0230 thru 0233.)

- Place **SIDE RETAINERS** on support angles in corners of stove.
- Place **REAR YOKE** in stove with **BRICK LEDGE** adjacent to rear wall. Fit ends of yoke on ends of side retainers and pull forward to provide room for **FIREBRICK**.
- Place **FRONT YOKE** in stove in same manner as rear yoke but **BRICK RETAINER** must be placed adjacent to front stove wall.
- Install **CENTER GRATE** into stove by lifting back end up towards rear corner so as to allow **SHAKER HANDLE PIN** to slip into hole in front of stove.
- Fit **GRATE CONNECTING BAR** under **CENTER GRATE**. Fit single pin into engagement hole in rear rib of **CENTER GRATE**.
- Install **OUTBOARD GRATES** into slots of **FRONT** and **REAR YOKES**. These grates have 7 ribs. Be sure **SHAKER BAR PINS** are fitted into engagement holes. **Gently test mechanism.**
- Install **INBOARD GRATES** in same manner. These grates have 6 ribs.
- Install **FIREBRICK** on **BRICK LEDGES** as shown and install **BRICK RETAINER** on top of bricks.

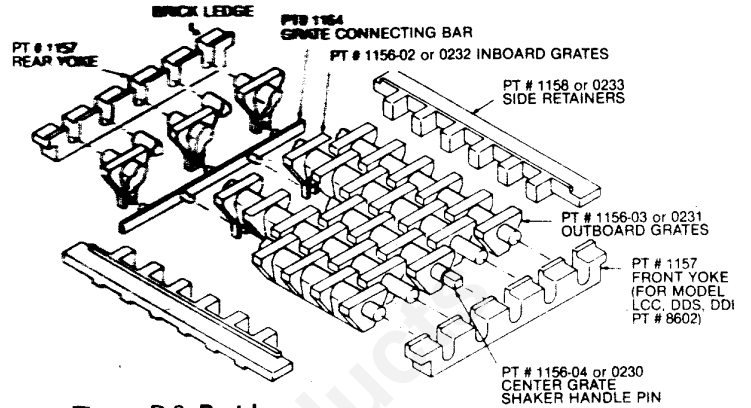


Figure D-2: Part I

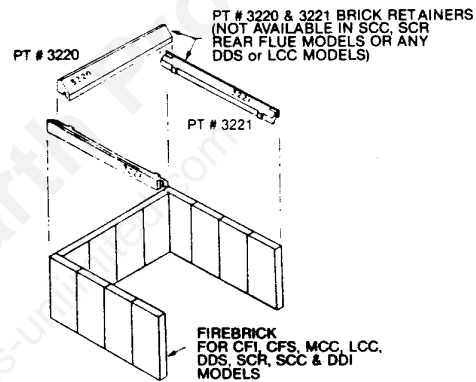
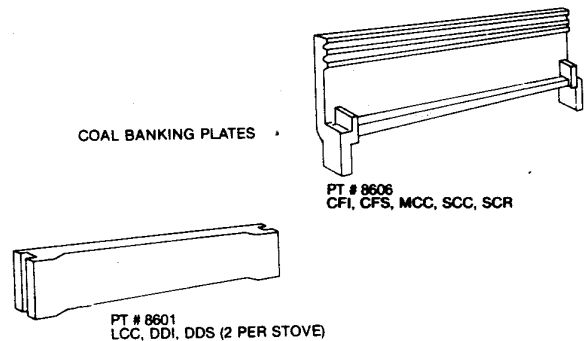


Figure D-2: Part II

D-8. Stoker Maintenance.

- Occasionally, wood, paper or other foreign objects are accidentally mixed with your coal, and when found in the hopper can slow down or block the flow of coal. You will then have to empty the hopper and remove the blockage.
- It is recommended that at least twice during the season you use a stiff bristle brush (not wire) to brush off the fly ash that can accumulate on the inside of your stoker. This will allow your stoker to radiate to its maximum efficiency.
- Remove baffle and clean stack at least once every few months of operation.
- Cleaning of the grate: It is recommended once per year to rub firebrick up and down on top of grate to remove any build up of ash. To clean fly ash from under grate, remove 3 nuts that secure combustion blower. After removing blower, vacuum out any dust that may have accumulated. **Do not remove the grate itself.**
- A thorough cleaning of the stoker and stack is recommended at the end of each heating season. Lubricate stoker fan motor and blower motor as per instructions on label.



Section E

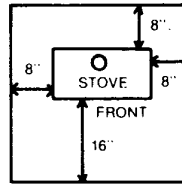
CLEARANCE TO COMBUSTIBLES

Model: SCC

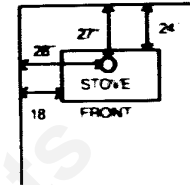
Chimney Type: Minimum 6 inch diameter approved low heat residential type all fuel—chimney connector: 6 inch diameter minimum 24 gauge blue or black steel install at least 8 inches from wall and 18 inches from ceiling. Special methods are required when passing through a wall or ceiling: see instructions and building codes.

■ See Diagrams

FREESTANDING MODE



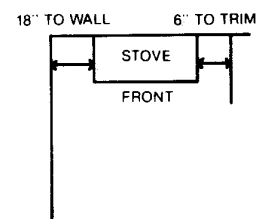
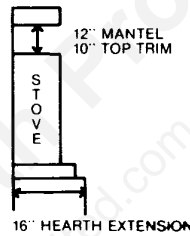
3/8" ASBESTOS MILLBOARD OR EQUIVALENT



INSTALL WITH MINIMUM CLEARANCE TO WALL AS SHOWN (IN INCHES)

INSERT MODE

FOR USE IN A MASONRY FIREPLACE BUILT IN ACCORDANCE WITH THE UNIFORM BUILDING CODE

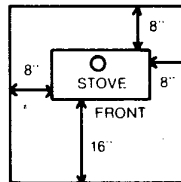


Model: MCC

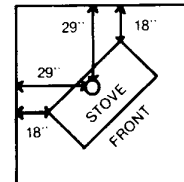
Chimney Type: Minimum 6 inch diameter approved low heat residential type all fuel—chimney connector: 6 inch diameter minimum 24 gauge blue or black steel install at least 8 inches from wall and 18 inches from ceiling. Special methods are required when passing through a wall or ceiling: see instructions and building codes.

■ See Diagrams

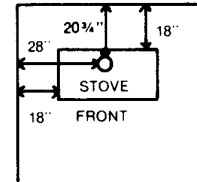
FREESTANDING MODE



3/8" ASBESTOS MILLBOARD OR EQUIVALENT



INSTALL WITH MINIMUM CLEARANCE TO WALL AS SHOWN (IN INCHES)

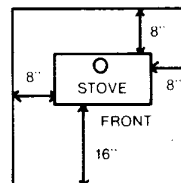


Model: LCC

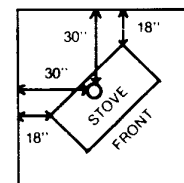
Chimney Type: Minimum 7 inch diameter approved low heat residential type all fuel—chimney connector: 7 inch diameter minimum 24 gauge blue or black steel install at least 8 inches from wall and 18 inches from ceiling. Special methods are required when passing through a wall or ceiling: see instructions and building codes.

■ See Diagrams

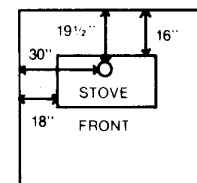
FREESTANDING MODE



3/8" ASBESTOS MILLBOARD OR EQUIVALENT



INSTALL WITH MINIMUM CLEARANCE TO WALL AS SHOWN (IN INCHES)



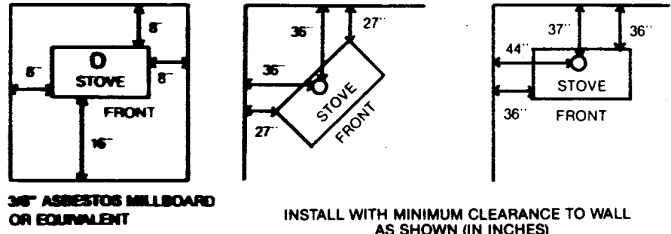
CONTACT YOUR LOCAL BUILDING OR FIRE OFFICIALS ABOUT RESTRICTIONS AND INSTALLATION INSPECTION IN YOUR AREA

Model: CFS

Chimney Type: Minimum 6 inch diameter approved low heat residential type all fuel—chimney connector: 6 inch diameter minimum 24 gauge blue or black steel install at least 6 inches from wall and 18 inches from ceiling. Special methods are required when passing through a wall or ceiling: see instructions and building codes.

■ See Diagrams

FREESTANDING MODE

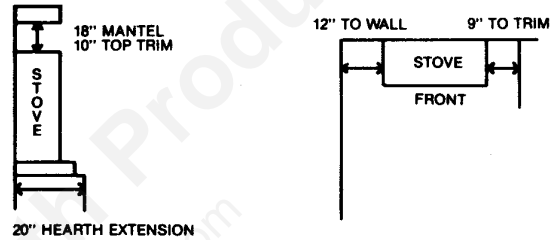


Model: CFI & DDI

To be installed in a masonry fireplace built in accordance to the uniform building code on a masonry hearth extending 20 inches from the front opening of the fireplace.

INSERT MODE

FOR USE IN A MASONRY FIREPLACE BUILT IN ACCORDANCE WITH THE UNIFORM BUILDING CODE

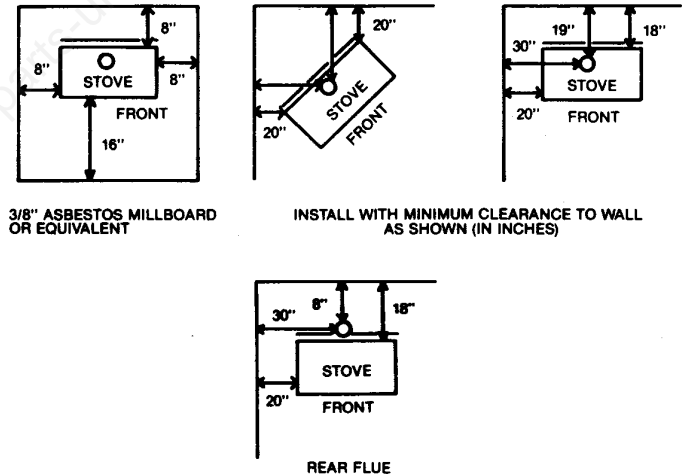


Model: SCR

Chimney Type: Minimum 6 inch diameter approved low heat residential type all fuel—chimney connector: 6 inch diameter minimum 24 gauge blue or black steel install at least 6 inches from wall and 18 inches from ceiling. Special methods are required when passing through a wall or ceiling: see instructions and building codes.

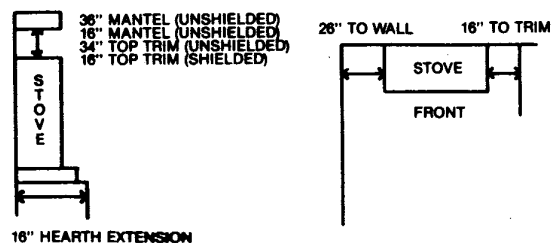
■ See Diagrams

FREESTANDING MODE



HEARTH MODE

FOR USE IN A MASONRY FIREPLACE BUILT IN ACCORDANCE WITH THE UNIFORM BUILDING CODE



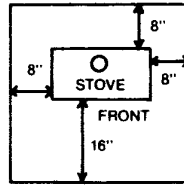
CONTACT YOUR LOCAL BUILDING OR FIRE OFFICIALS ABOUT RESTRICTIONS AND INSTALLATION INSPECTION IN YOUR AREA

Model: DDS

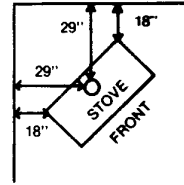
Chimney Type: Minimum 6 inch diameter approved low heat residential type all fuel—chimney connector: 6 inch diameter minimum 24 gauge blue or black steel install at least 8 inches from wall and 18 inches from ceiling. Special methods are required when passing through a wall or ceiling: see instructions and building codes.

■ See Diagrams

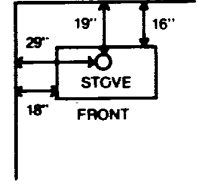
FREESTANDING MODE



3/8" ASBESTOS MILLBOARD OR EQUIVALENT



INSTALL WITH MINIMUM CLEARANCE TO WALL AS SHOWN (IN INCHES)

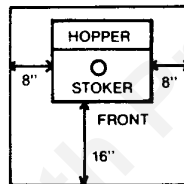


Model: STOKER LR

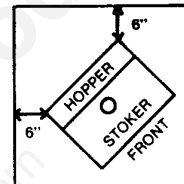
Chimney Type: Minimum 6 inch diameter approved low heat residential type all fuel—chimney connector: 6 inch diameter minimum 24 gauge blue or black steel install at least 8 inches from wall and 18 inches from ceiling. Special methods are required when passing through a wall or ceiling: see instructions and building codes.

■ See Diagrams

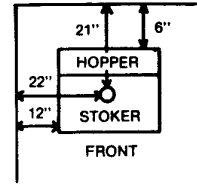
FREESTANDING MODE



3/8" ASBESTOS MILLBOARD OR EQUIVALENT



INSTALL WITH MINIMUM CLEARANCE TO WALL AS SHOWN (IN INCHES)



CONTACT YOUR LOCAL BUILDING OR FIRE OFFICIALS ABOUT RESTRICTIONS AND INSTALLATION INSPECTION IN YOUR AREA

WARRANTY

GIBRALTAR ENERGY PRODUCTS, INC., a New York corporation maintaining an office at 25 McMaster Street, Auburn, New York 13021, ("Manufacturer"), makes the following Fifteen Year Limited Warranty to each original retail purchaser of its Gibraltar Stove, as follows:

1. The Gibraltar Stove and those parts manufactured by Manufacturer will be free from defects in material and workmanship for a period of fifteen years from the date of purchase by the original retail purchaser from the retailer, provided that the Gibraltar Stove is installed and operated in accordance with the printed instructions furnished with the stove by Manufacturer.

2. This Limited Warranty does not apply to and specifically excludes:

- (a) Paint
- (b) Coal grate—Limited 5 yr. warranty
- (c) Firebrick or brick retainer
- (d) Damper assembly—Limited 1 yr. warranty
- (e) Fiberglass rope gasket
- (f) ~~Stove~~
- (g) Glass
- (h) Spring handles
- (i) Stoker mechanism—Limited 1 yr. warranty
- (j) Electrical components—Limited 1 yr. warranty
- (k) Combustion blower—Limited 1 yr. warranty
- (l) Stoker hopper—Limited 3 yr. warranty
- (m) Damage caused by or resulting from accident, improper handling or operation, abuse or misuse.
- (n) Improper installation (including, without limitation, failure to conform said installation to applicable building, fire and other safety codes).
- (o) Unauthorized modification or repairs made or attempted.

3. Manufacturer's duty in the event an alleged defect occurs within the warranty period is as follows: The original retail purchaser should contact the retailer from whom he purchased the stove (or Manufacturer, if the retail dealer cannot be reached) and arrangements made for the stove to be inspected. If inspection indicates that the failure was due to defective material or workmanship and that the other terms and conditions of this Limited Warranty have been complied with, Manufacturer's sole duty and liability under this Limited Warranty shall be limited to Manufacturer's selection of one of the following options: (a) refunding the original purchase paid by the original retail purchaser for the Gibraltar Stove; or (b) replacing or repairing the defective stove and/or part. The original retail purchaser shall be required to pay for mileage and/or shipping charges and/or transportation of the allegedly defective stove for inspection and/or repair. Labor and/or service charges are not covered under this Limited Warranty.

4. Incidental or consequential damages for breach of any and all express or implied warranties are excluded hereby (some states do not allow the exclusion or limitation of incidental or consequential damages so the above limitation or exclusion may not apply to you). Any implied warranty shall be limited to one year period from the date of purchase by the original retail purchaser (some states do not allow limitations on how long any implied warranty lasts so the above limitations may not apply to you). In no event whether a claim is made against manufacturer based on breach of this warranty or any other type of warranty, including, without limitation, those implied by law shall manufacturer be liable for any special, indirect, consequential or other damages of any nature whatsoever in excess of the purchase price of the Gibraltar Stove acquired by the original retail purchaser. All warranties by manufacturer are set forth herein and no claim shall be made against manufacturer based on any oral warranty or representation.

This Warranty gives you specific legal rights (conditioned upon your fulfilling the requirements herein set forth) and you may also have other rights which vary from state to state.

No agent, distributor, salesman, wholesale or retail dealer has authority to bind Manufacturer to any other affirmation, representation or warranty concerning the Gibraltar Stove.

If, for any reason, your retail dealer is unable to handle the warranty service or replacement, write to Manufacturer as follows:

Gibraltar Energy Products, Inc.
25 McMaster Street
P.O. Box 633
Auburn, N.Y. 13021

and include in your letter the following information:

- (a) Model Number
- (b) Description of operating problem and part that appears defective.
- (c) Name and address of dealer from whom the stove was purchased.
- (d) Date stove was purchased.

Do not return an allegedly defective part or stove without prior written authorization from Manufacturer.

**THIS WARRANTY DOES NOT INCLUDE BLOWER
(SEE BLOWER WARRANTY)**

Manufactured by:

Gibraltar Energy Products, Inc.
25 McMaster Street
P.O. Box 633
Auburn, New York 13021

Mountain View Hearth Products
manuals.stove-parts-unlimited.com