



Glass Door Kits: AT1936 for Models: SC60 - Installation and Operation Instructions -

Leave this manual with party responsible for use and operation.

WARNING HOT! DO NOT TOUCH. SEVERE BURNS MAY RESULT. CLOTHING IGNITION MAY RESULT. Glass and other surfaces are hot during operation and cool down. Keep children away. CAREFULLY SUPERVISE children in same room as appliance. Alert children and adults to hazards of high temperatures. To avoid burns or clothing ignition, the doors must remain closed if children will be present during the operation and cool down of the fireplace. Do NOT operate with protective barriers open or removed. Keep clothing, furniture, draperies and other combustibles away.

CAUTION! Risk of Cuts and Abrasions! Wear protective gloves and safety glasses during installation. Sheet metal edges are sharp.

IMPORTANT: Read all instructions carefully before starting installation. Failure to follow these installation instructions as detailed may result in a possible fire hazard and will void the warranty.

It is highly recommended the outside air kit AK22 is used.

- WARNING! Risk of Fire and Injury! Do NOT place oversize logs inside fireplace. Glass doors MUST not be used to hold logs or other materials inside the fireplace. Glass could break. All fires should be contained within the grate/refractory area. Never leave an open fire unattended even though the glass doors are closed. When firing, doors must be fully closed or fully open with screens drawn.

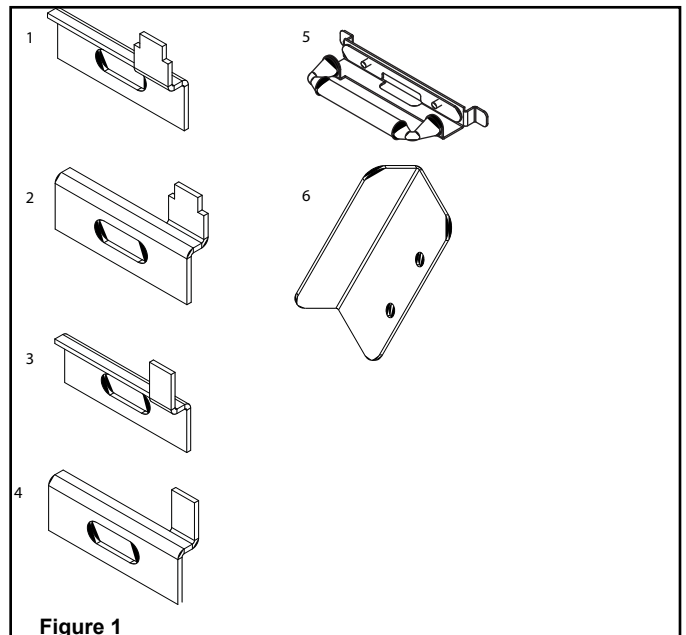
These glass doors have been tested for use with specific Hearth & Home Technologies Inc. fireplaces and are listed as fireplace parts. Refer to the fireplace installation instructions/owner's manual for the correct accessories to be used. Check with your local building code agency before you begin your installation to ensure compliance with local codes, including the need for permits and follow-up inspec-

tions. If encounter problems regarding code approvals or if you wish clarification of any of the instructions contained here, contact your local distributor/dealer or contact Technical Services at: Hearth & Home Technologies Inc., www.fireside.com.

CHECK CONTENTS OF SHIPPING CARTON

Compare contents in the following list with actual parts received. If any parts are missing, or damaged, contact your dealer before starting installation. Do not install a damaged glass enclosure kit.

Kit Components: (See Figure 1 for sheetmetal parts) Qty. Part Item 1 Hinge: Bottom left 1 1 Hinge: Bottom right 2 1 Hinge: Top right 3 1 Hinge: Top left 4 2 Handle Assembly 5 1 Door Catch 6 2 Doors 4 Slotted Hinge screws 2 Nylon Washers 2 1/2" Sheet metal screws 4 Steel Washers 2 #8 x 5/16 screws



CLEAN NEW MASONRY

Mortar and masonry cleaning agents will corrode metal unless they are neutralized. Therefore, if your fireplace surround has been faced with any type of masonry, wash it with ammonia water or a baking soda solution so the metal trim pieces of your kit will not be corroded.

NOTICE: *The metal on the glass doors should be cleaned with a mild soap and water only.*

INSTALLATION INSTRUCTIONS

1. Remove shipping tape from doors.
2. Turn doors face down (gasket side up).
3. Remove one set screw from top of top corner bracket and one from bottom of bottom corner bracket (see figure 2). Discard the removed set screws.
4. Using a metal washer and a slotted hinge screw, attach bottom pivot bracket onto the bottom of each door where the set screw was removed. The bottom of the door is defined by hole in part for the door handle.
5. Slide handle assembly on to bottom of door and tighten screws. See Figure 2.
6. Install # 8 X 5/16 screw through slot of the handle assembly into bottom of the door and tighten
7. Place nylon washer over hole in the bottom face of fireplace.
8. Pick door up and insert bottom pivot bracket in the hole making sure you engage the nylon washer. **HOLD ONTO THE DOOR UNTIL NEXT STEP IS COMPLETE.**
9. Insert the leg of the top pivot bracket up into the hole in the door track. Line up the top pivot bracket with hole in the corner brace on top of the door and attach with the slotted hinge screw and steel washer (both doors).

Repeat steps 5-9 for the other door.

10. Align doors by readjusting the pivot brackets and steel washers and sliding the doors in and out.
11. Install the door latch assembly as shown in Figure 4
12. Handles slide side to side to lock and unlock.

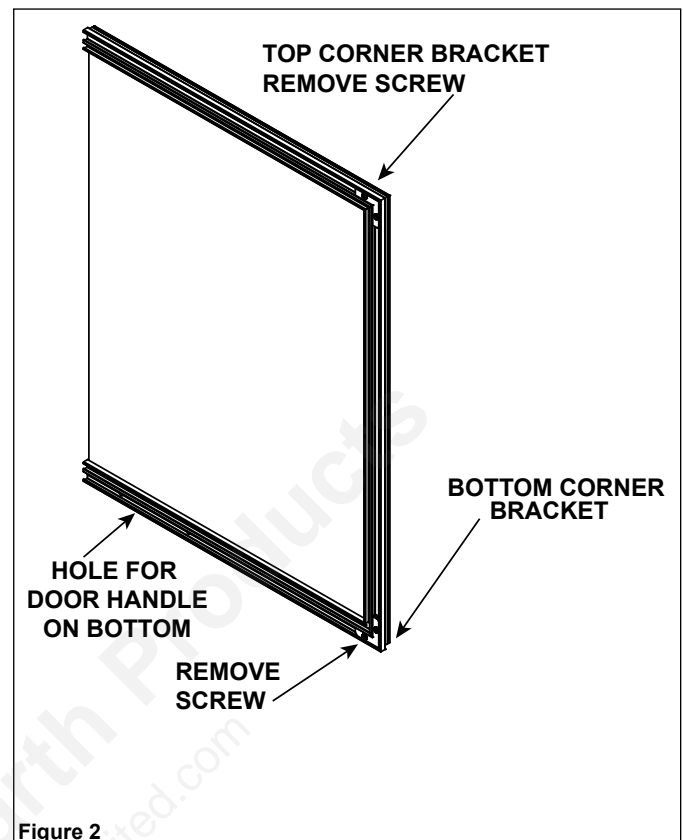


Figure 2

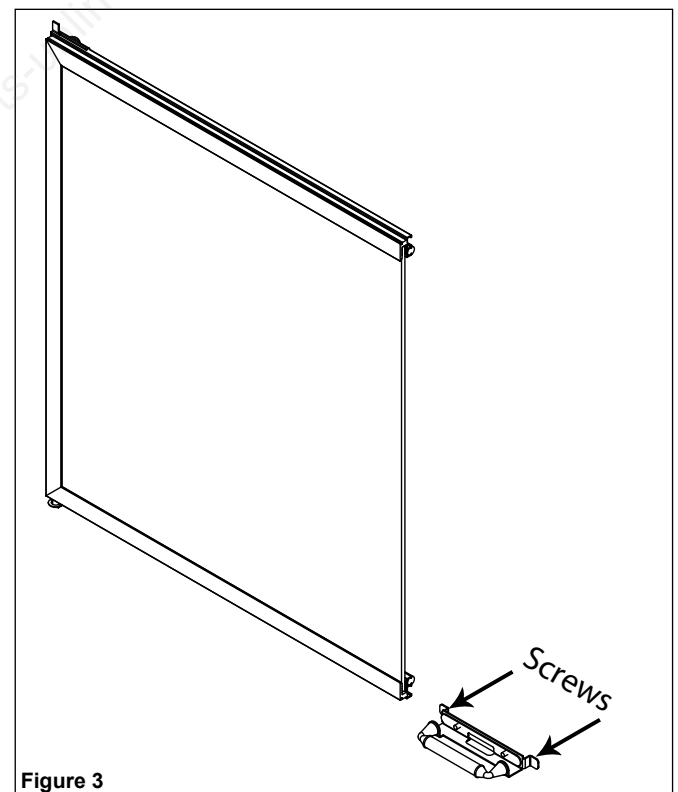
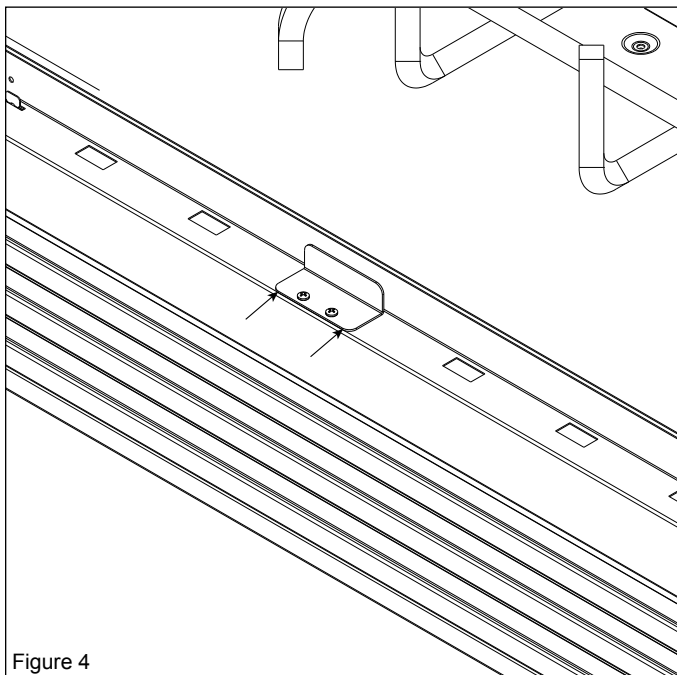


Figure 3



Operating Precautions and Instructions

The glass doors and the fireplace flue damper must both be in the fully open position before starting your fire.

Follow the procedure for building and starting a fire as detailed in your fireplace homeowners manual. You may close the doors AFTER the fire is well started. **THE FIRST FEW FIRES MUST BE SMALL TO ALLOW THE PROPER TEMPERING OF THE GLASS AND TO PREVENT GLASS BREAKAGE.**

Do not, however, close the doors on an excessively hot fire. The glass must be allowed to warm slowly. Keep the fire well back from the doors and never let flames contact the glass.

If the fire gets too large at any time, open both sets of glass doors. This will quickly reduce the heat in the firebox. Push the logs or other fuel to the center of the firebox and rear-range into single layer. Let the fire burn to a smaller size before closing the glass doors again.

WARNING! Risk of Fire and Smoke!

- **Operate only with doors fully open or doors fully closed. DO NOT leave doors partially open. Gas and flames may be drawn out of the fireplace opening.**
- **Fireplace screen must be closed when the doors are open.**

The following check list summarizes the key steps discussed under OPERATING INSTRUCTIONS:

1. Open doors and fireplace damper.
2. Build fire as described in fireplace manual.
3. Close doors after the fire is started IF fire is normal size.
4. If fire gets too large, open doors and reduce size of fire.
5. Keep damper open until fire is completely out and all smoking has stopped.

For maximum benefit and efficient usage, refer to operating instructions in owner's manual.

REPLACEMENT PARTS:

Description	Part Number
	AT1936
Handle Assembly	4015-139
Door Assembly -Left	4015-130
Door Assembly- Right	4015-131
Corner Bracket (Pkg of 10)	024-230-10
BracketSpacer (Pkg of 10)	024-231-10
Door Pivot Bracket, Right Bottom	4015-143
Door Pivot Bracket, Left Bottom	4015-142
Door Pivot Bracket, Right Top	4015-145
Door Pivot Bracket, Left Top	4015-144
Hardware	
Screw 1/2" SMS (Pkg of 40)	12460/40
Screw # 8 X 5/16 (Pkg of 50)	25135/50
Screw, Slotted Hinge(Pkg of 25)	030-862/25
Washer (Pkg of 24)	28758/24
Washer, Nylon (Pkg of 25)	27762/25

Please contact your Hearth & Home Technologies dealer for more information, or visit: www.hpba.org/staysafe.

Hearth & Home Technologies Inc.
7571 215th Street West, Lakeville, MN 55044