



Heat-N-Glo Fireplace Products, Inc
6665 West Highway 13
Savage, MN 55378



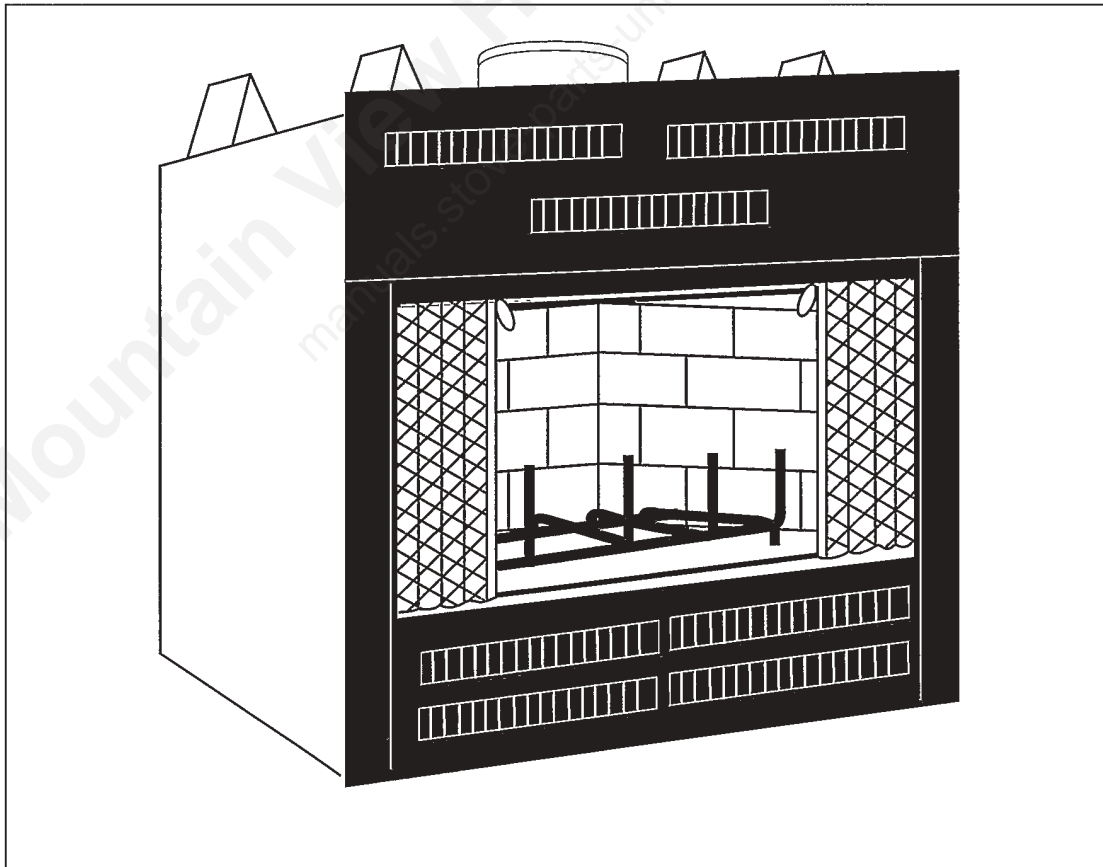
EM41 EM48

WOODBURNING FIREPLACE

INSTALLATION & OPERATING

INSTRUCTIONS

FOR RESIDENTIAL USE



EM41

056-981-B 4/98



PLEASE RETAIN THIS MANUAL FOR FUTURE REFERENCE.

Table of Contents

Listings and Code Approvals	3
Description of the Fireplace System	3
Fireplace System Components	4
Pre-Installation Preparation	8
Fireplace Locations and Space Requirements	8
Framing The Fireplace	9
Hearth Extensions	10
Sidewalls/Surrounds	11
Mantel	11
Chimney Requirements	11
Using Offsets and Returns	11
Chimney Height Requirements	13
Step-By-Step Installation of the Fireplace System	14
Constructing a Chase	19
Materials For The Chase	19
Installing a Terminal Cap on a Chase-Enclosed Chimney	20
Operating Instructions	21

Safety Precautions

- 1 Please read these installation instructions completely before beginning installation procedures. Failure to follow them could cause a fireplace malfunction resulting in serious injury and/or property damage.
- 2 Always check your local building codes prior to installation. The installation must comply with all local, regional, state and national codes and regulations.
- 3 An adequate supply of replacement combustion air from outside the house must be available to the fire for the fireplace to operate properly. To achieve this, the use of an optional outside air kit is highly recommended.

In the event the home is unusually tight, the optional combustion air kit may not provide all the air required to support combustion. Heat-N-Glo is not responsible for any smoking or related problems that may result from the lack of adequate combustion air. It is the responsibility of the builder/contractor to ensure that adequate combustion air has been provided for the fireplace.
- 4 The EM41, EM48 woodburning fireplaces must be installed with the HSL300 Series or Heatilator SL300 Series chimney system.

The chimney system must always terminate outside the building. Be sure to follow all chimney specifications given in these installation instructions.
- 5 NEVER leave children unattended when there is a fire burning in the fireplace.
- 6 This fireplace is built for solid fuel only. NEVER use gasoline, gasoline type lantern fuel, kerosene, charcoal lighter fluid, or similar liquids in this fireplace. Keep any flammable liquids a safe distance from the fireplace.
- 7 DO NOT use chimney cleaners or flame colorants in your fireplace.
- 8 The flue damper must be open at all times when the fireplace is in use.
- 9 While servicing this fireplace, always shut off any electricity or gas to the fireplace. This will prevent possible electrical shock or burns. Also, make sure the unit is completely cooled before servicing.
- 10 To ensure a safe fireplace system and to prevent the buildup of soot and creosote, inspect and clean the fireplace and chimney prior to use and periodically during the burning season.

LISTINGS AND CODE APPROVALS

The EM41, EM48 fireplace systems have been tested and listed to the UL 127 Standard and the ULC-S610 Standard for Factory-Built Fireplaces by Underwriters Laboratories Inc. These fireplace systems have been listed for installation and operation in the United States and Canada as described in these Installation & Operating Instructions.

The models EM41 and EM48 fireplaces have been tested and listed for use with the components listed on page 4. Some of these components may be purchased separately and installed at a later date. However, installation of an outside air kit will require

significant reconstruction and should be installed at the time of the initial fireplace installation.

Check with your local building code agency prior to installing this fireplace to ensure compliance with local codes, including the need for permits and follow-up inspections. If any assistance is required during installation, please contact your local dealer or Heat-N-Glo Fireplace Products, Inc., 6665 West Highway 13, Savage, MN 55378.

WARNING

THIS HEAT-N-GLO FIREPLACE AND ITS COMPONENTS ARE DESIGNED TO BE INSTALLED AND OPERATED AS A SYSTEM. ANY ALTERATION TO OR SUBSTITUTION FOR ITEMS IN THIS SYSTEM, UNLESS ALLOWED BY THESE INSTALLATION INSTRUCTIONS, WILL VOID THE UNDERWRITERS LABORATORIES LISTING AND MAY VOID THE PRODUCT WARRANTY. IT MAY ALSO CREATE A HAZARDOUS INSTALLATION. READ THROUGH THESE INSTRUCTIONS THOROUGHLY BEFORE STARTING YOUR INSTALLATION AND FOLLOW THEM CAREFULLY THROUGHOUT YOUR PROJECT.

DESCRIPTION OF THE FIREPLACE SYSTEM

The Heat-N-Glo fireplace system consists of the following:

1. Fireplace/Integral Grate/Blower
2. Hearth Extension
3. Chimney System
4. Chimney Terminal Cap

Optional components include:

1. Glass Doors
2. Outside Air Kit System

NOTE: Illustrations throughout these instructions reflect "typical installations" and are for design purposes only. Actual installation may vary slightly due to individual design preferences. However, minimum and maximum clearances must be maintained at all times.

The illustrations and diagrams used throughout these installation instructions are not drawn to scale.

Tools and Building Supplies Normally Required

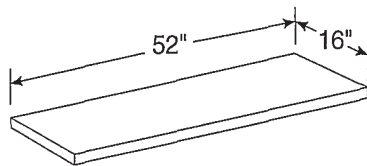
Tools	Building Supplies
Saw	Hearth extension
material	Caulking material
Pliers	Wall-finishing materials
Hammer	Framing material
Phillips screwdriver	Fireplace surround
Tape measure	Plumb line
Leveler	
Electrical drill and bits	
Square	

FIREPLACE SYSTEM COMPONENTS

The table below shows only those components which may be safely used with this fireplace

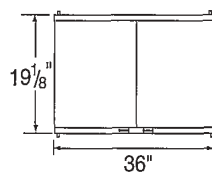
Catalog Number	Description
EM41	Fireplace (Insulated Outer Shell) includes integral grate and hearth protection strips
EM48	Fireplace (Insulated Outer Shell) includes integral grate and hearth protection strips
HHX3	Hearth Extension
GD42 FV	Glass Doors - Cabinet
GD42 ATFF	Glass Doors - Cabinet
GD42 ATFF	Glass Doors - Cabinet
HBC10	Motor Speed Control Kit
HAK-225	Outside Air Kit
HFK-160	Blower Kit
14-350A	Grate (Included with fireplace)
HID4	Insulated Duct/Outside Air
HUD4	Uninsulated Duct/Outside Air
HCAK4	Chimney Air Kit
HSL312	Chimney Section - 12 inch long
HSL318	Chimney Section - 18 inch long
HSL336	Chimney Section - 36 inch long
HSL348	Chimney Section - 48 inch long
HSL3	Chimney Stabilizer
HSL330	Chimney Offset/Return - 30°
HFS338	Firestop - Straight
HFS340	Firestop - 30°
HAS8	HSL300 Straight Attic Insulation Shield, 24"
HJB877	Chimney Joint Band
HCB876	Chimney Bracket
HRF370	Roof Flashing - Flat to 6/12 Pitch
HRF371	Roof Flashing - 6/12 to 12/12 Pitch
HTR342	Telescoping Chimney Terminal Cap - Round
HTR344	Chimney Terminal Cap - Round (Storm collar included)
HST375	8" I D SL300 Square Termination
HCT56	Chase Top

HEARTH EXTENSION



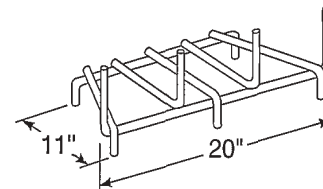
HHX3

GLASS DOORS



INTEGRAL GRATE

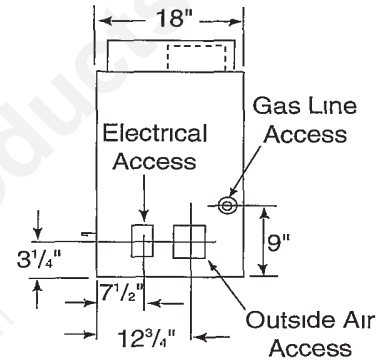
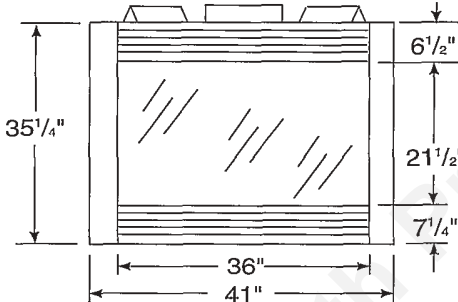
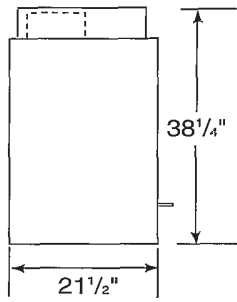
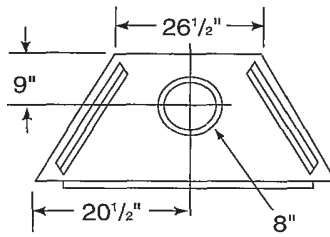
(supplied)



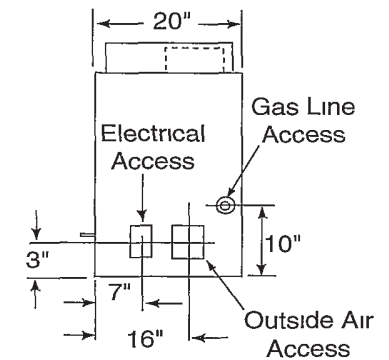
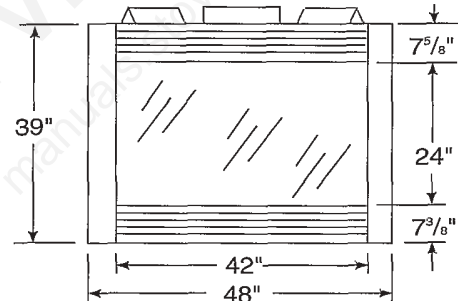
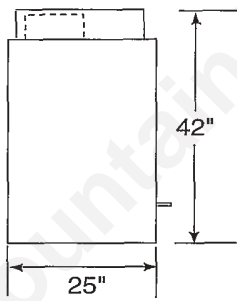
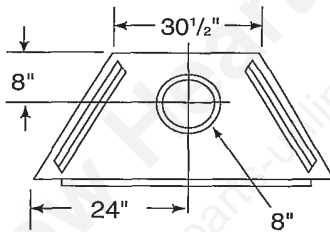
14-350A

EM41, EM48 WOODBURNING FIREPLACE

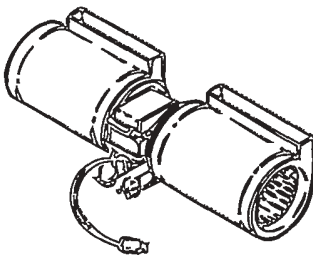
EM41



EM48

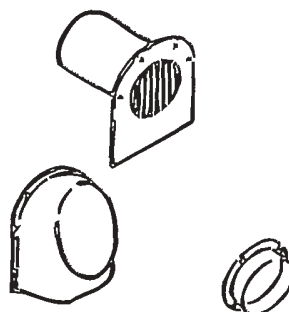


FAN KIT



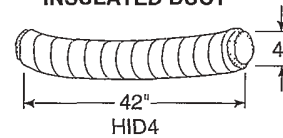
FK - 160

OUTSIDE AIR KIT

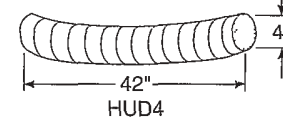


AK-225

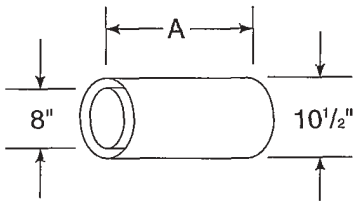
INSULATED DUCT



UNINSULATED DUCT

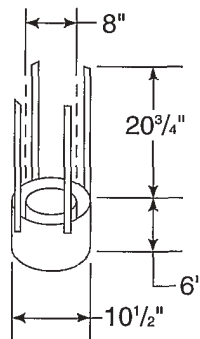


CHIMNEY SECTIONS



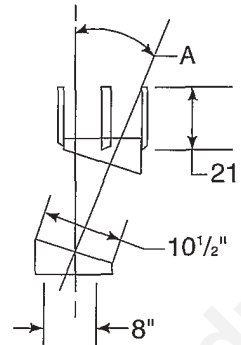
CAT. NO.	A	B
HSL312	12"	10 ³ / ₄ "
HSL318	18"	16 ³ / ₄ "
HSL336	36"	34 ³ / ₄ "
HSL348	48"	46 ³ / ₄ "

CHIMNEY STABILIZER



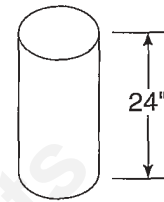
HSL3

OFFSETS RETURNS



CAT. NO.	A
HSL330	30°

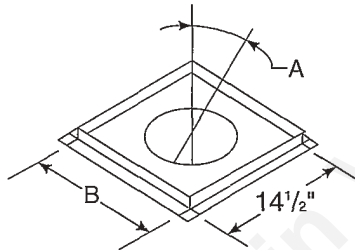
STRAIGHT ATTIC INSULATION SHIELD



HAS8

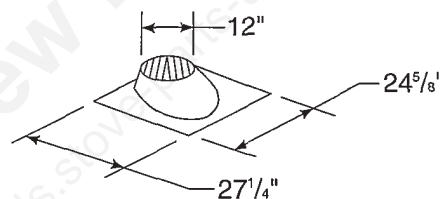
A= Actual length
 B= Effective length (length of chimney part after it has been snapped to another)

FIRESTOP SPACERS

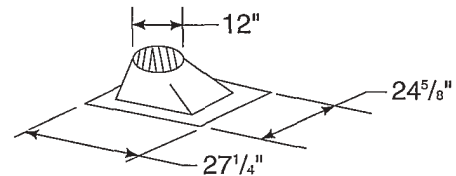


CAT. NO.	A	B
HFS338	0°	14 ¹ / ₂ "
HFS340	30°	22 ¹⁵ / ₁₆ "

ROOF FLASHINGS

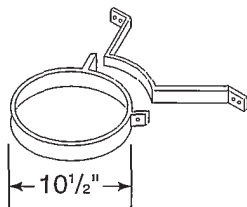


Flat to 6/12 Pitch
 HRF370



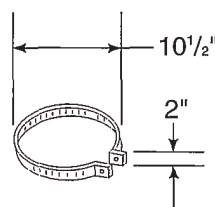
6/12 to 12/12 Pitch
 HRF371

CHIMNEY BRACKET



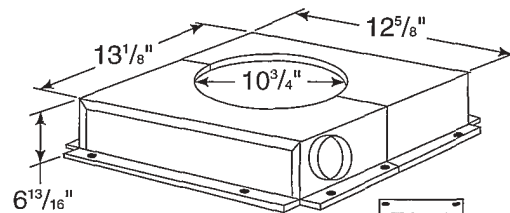
HCB876

JOINT BAND



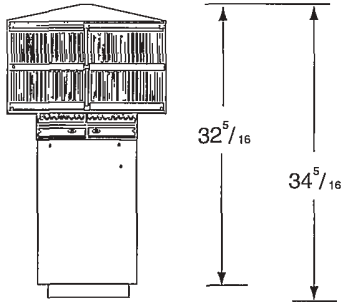
HJB877

CHIMNEY AIR KIT

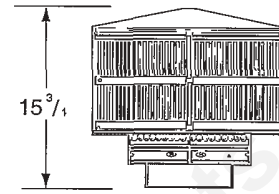


HCAK4

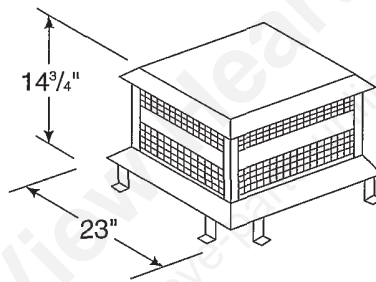
CHIMNEY TERMINAL CAPS & VENT SECTIONS



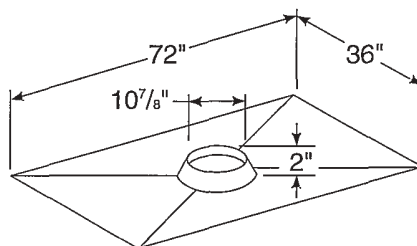
HTR442
ROUND TERMINAL CAP



HTR444
ROUND TERMINAL CAP
WITH STORM COLLAR



HST375
SQUARE TERMINATION



HCT56
CHASE TOP

PRE-INSTALLATION PREPARATION

FIREPLACE LOCATIONS AND SPACE REQUIREMENTS

Several options are available to you when choosing a location for your fireplace. This fireplace may be used

as a room divider, installed along a wall, across a corner or use an exterior chase. See Figure 1

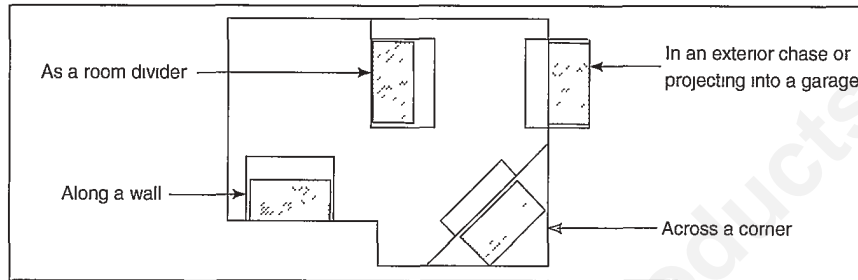


Figure 1
Fireplace Locations

Figures 2 and 3 show two typical installations assuming an outside air kit is being used. Therefore, an allowance must be made for 90° bends. Less space is

required when ducting goes directly outside without forming elbows.

* A minimum of 1/2" air clearance must be maintained between the firebox and wall

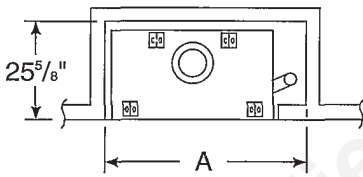


Figure 2
Installation along a wall or an exterior chase.

OUTSIDE AIR	A
WITHOUT	43 1/4"
WITH *	43 1/4"

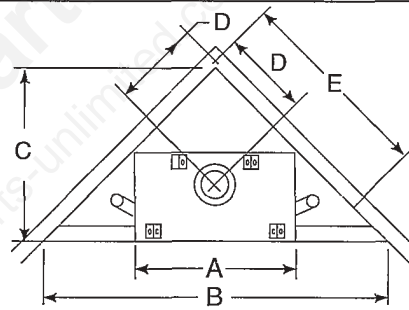


Figure 3
Corner Installation

OUTSIDE AIR	A	B	C	D	E
WITHOUT	43 1/4"	92 5/8"	46 5/16"	24 1/4"	65 1/2"
WITH	43 1/4"	92"	46 5/16"	24"	65 1/2"

WARNING

DO NOT DRAW OUTSIDE AIR FROM GARAGE SPACES. EXHAUST PRODUCTS OF GASOLINE ENGINES ARE HAZARDOUS.

DO NOT INSTALL OUTSIDE AIR DUCTS SUCH THAT THE AIR MAY BE DRAWN FROM ATTIC SPACES, BASEMENTS OR ABOVE THE ROOFING WHERE OTHER HEATING APPLIANCES OR FANS AND CHIMNEYS EXHAUST OR UTILIZE AIR. THESE PRECAUTIONS WILL REDUCE THE POSSIBILITY FOR SMOKING OR FLOW REVERSAL.

WARNING

TO PREVENT CONTACT WITH SAGGING OR LOOSE INSULATION, THE FIREPLACE MUST NOT BE INSTALLED AGAINST VAPOR BARRIERS OR EXPOSED INSULATION. LOCALIZED OVERHEATING COULD OCCUR AND A FIRE COULD RESULT.

EM41, EM48 WOODBURNING FIREPLACE

FRAMING THE FIREPLACE

The EM41 fireplace will fit a framed opening of 42" wide x 38½" tall. The EM48 fireplace will fit a framed opening of 49¼" wide x 43¼" tall. The finished cavity depth for the EM41 must be no less than 22". The finished cavity depth for the EM48 must be no less than 25½".

Figure 4 shows a typical framing (using 2 x 4 lumber) of the fireplace, assuming combustible materials are used. All required clearances to combustibles around

the fireplace must be adhered to. Any combustible framing on top of the fireplace must be above the top standoffs. A ½" air clearance must be maintained at the back and sides of the firebox assembly. A non-combustible material such as Micore CV230 or cement board must be used to finish the area between the top of the fireplace and the top header. See Figure 4 Chimney Sections at any level require a two inch minimum air space clearance between the framing and chimney section.

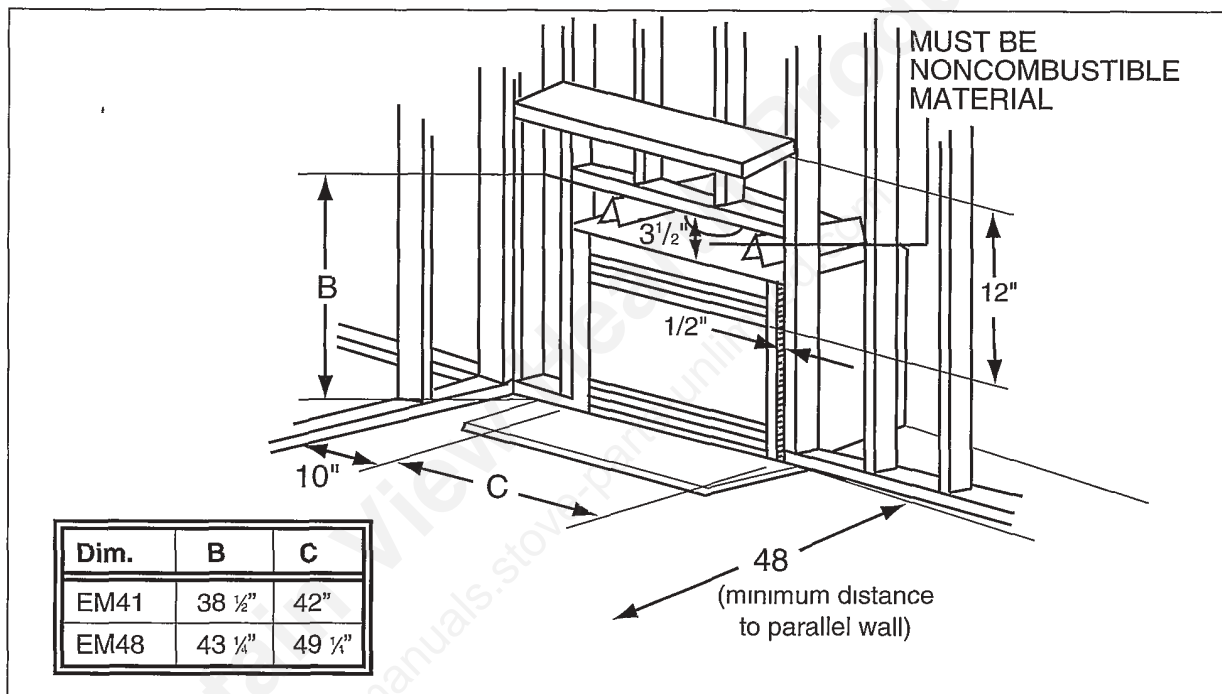


Figure 4
Framing the Fireplace

Combustible Material. Material made of or surfaced with wood, compressed paper, plant fibers, plastics, or any material capable of igniting and burning, whether flame proofed or not, plastered or unplastered.

Non-combustible Material. Material which will not ignite and burn. Such materials are those consisting entirely of steel, iron, brick, tile, concrete, slate, glass or plasters, or combination thereof.

Non-combustible Sealant Material. Sealants that will not ignite and burn, General Electric RTV103

(Black), or equivalent. Rutland, Inc. Fireplace Mortar #63, or equivalent.

After completing the framing and applying the facing material (dry wall) over the framing, a non-combustible sealant, one-half inch wide maximum, must be used to close off any gaps at the top and sides between the fireplace and facing to ensure adequate insulation.

Only non-combustible materials may be used to cover the non-louvered portion of the black metal fireplace front.

WARNING

DO NOT APPLY COMBUSTIBLE FINISHING MATERIALS OVER ANY PART OF THE BLACK METAL FACE OF THIS FIREPLACE OR A STRUCTURE FIRE MAY RESULT.

HEARTH EXTENSIONS

A hearth extension must be installed with all fireplaces. It is to protect the combustible floor in front of the fireplace from both radiant heat and sparks.

The construction of and materials used for a factory-built hearth extension are shown in Figure 5. A hearth

extension of this construction may be covered with any non-combustible decorative material and may have a maximum thickness of 5/8". Seal gaps between the hearth extension and the front of the fireplace with a non-combustible sealant.

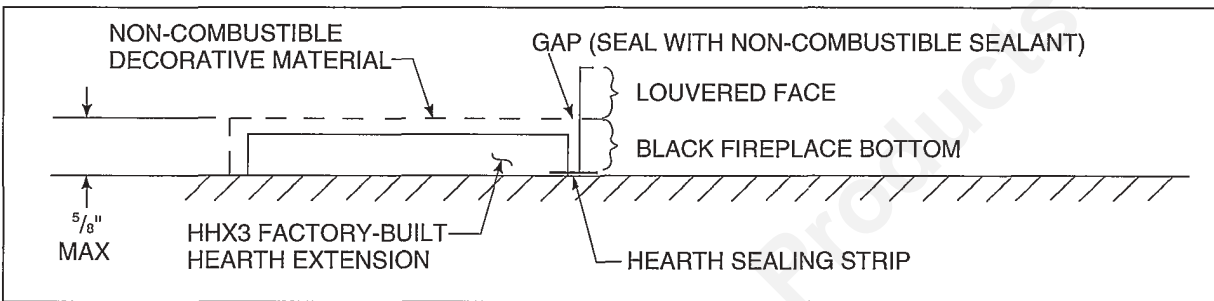


Figure 5
Factory-Built Hearth Extension

Field constructed Hearth Extensions should be constructed in accordance with Figure 6 instructions. In all cases, the hearth extension must extend a minimum of

16" to the front and extend 8" on either side of the fireplace opening.

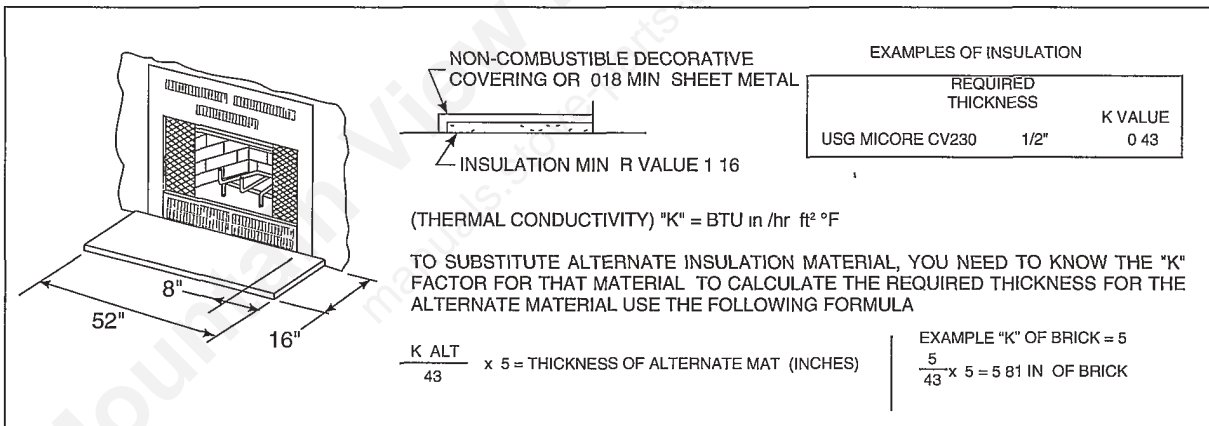


Figure 6
Hearth Extension

WARNING

HEARTH EXTENSIONS ARE TO BE INSTALLED ONLY AS ILLUSTRATED TO PREVENT HIGH TEMPERATURES FROM OCCURRING ON CONCEALED COMBUSTIBLE MATERIALS. HEARTH SEALING STRIPS PREVENT BURNING OR HOT PARTICLES FROM INADVERTENTLY FALLING DIRECTLY ON COMBUSTIBLE SURFACES IN THE EVENT THE BUILDING SHOULD SETTLE AND DISTURB THE ORIGINAL CONSTRUCTION.

SIDEWALLS/SURROUNDS

Adjacent combustible side walls must be located a minimum of 12" from the fireplace opening. See Figure 7. If you are using a decorative surround constructed of combustible material, it must be located

within the shaded area defined in Figure 7. Short stub walls are also acceptable if they are contained within the shaded area.

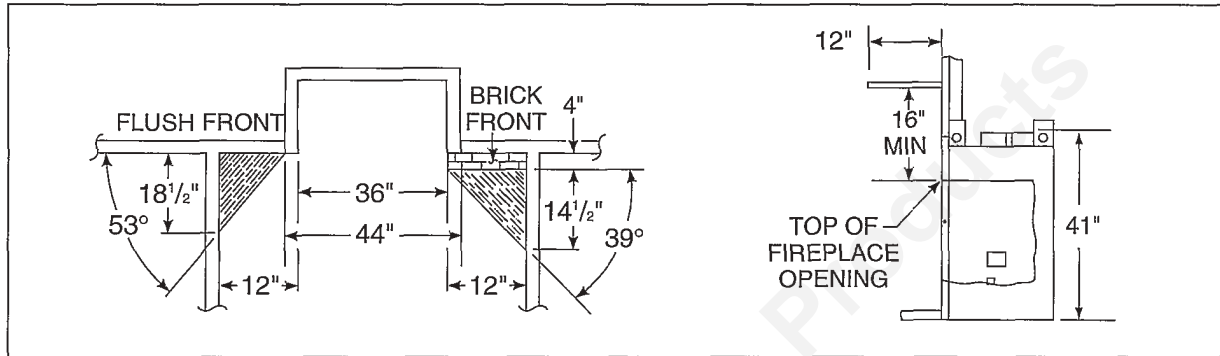


Figure 7
Sidewalls/Surrounds

MANTEL

A combustible mantel may be positioned no lower than 16" above the opening of the firebox. The mantel may extend no more than 12" from the wall. Combustible trim materials, projecting no more than 1 1/2" from the face of the fireplace, can be placed no closer than 6"

from the top and side of the firebox opening, except when they fall within the shaded area as defined in Figure 7. This mantel clearance is in accordance with Section 7-3.3.3 of ANSI/NFPA 211.

CHIMNEY REQUIREMENTS

When planning your fireplace location, the chimney construction and necessary clearances must be considered. The fireplace system and chimney components have been tested to provide the following flexibility in construction. The following figures are the minimum distances from the base of the unit:

Minimum overall straight height	13.5 ft
Minimum height with Offset/Return	14.8 ft
Maximum height	47.2 ft
Maximum allowed shift between an offset/return ("A" in Figure 8)	44"
Maximum distance between Chimney Stabilizers	35 ft
Maximum unsupported chimney length between Offset/Return	6 ft
Maximum straight unsupported chimney height above firebox	25 ft

USING OFFSETS AND RETURNS

To bypass any overhead obstructions, the chimney may be offset using a 30° offset/return (HSL330). Perform the following steps to determine the correct chimney component combination for your particular installation:

An offset and return may be attached together or a chimney section(s) may be used between an offset and return. However, the distance between two elbows must never exceed 10 feet in total length.

1. Measure how far the chimney needs to be shifted to enable it to avoid the overhead obstacle. See Figure 8, dimension "A".

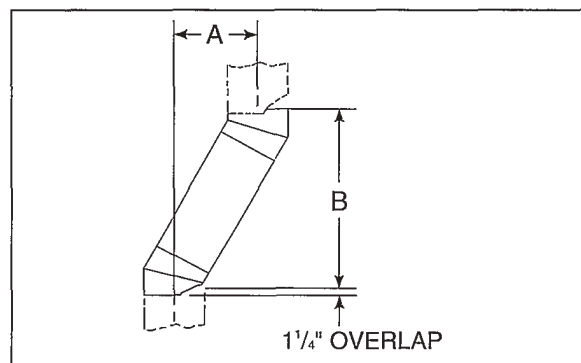


Figure 8
Chimney Offset/Return



EM41, EM48 WOODBURNING FIREPLACE

- 2 After determining the offset dimension, refer to Table 1 and find the "A" dimension closest to **but not less than** the distance of shift needed for your installation
- 3 The "B" dimensions that coincides with the "A" dimensions represent the required vertical clearance that is needed to complete the offset and return
- 4 Read across the chart and find the number of chimney sections required and the model number of those particular chimney parts
- 5 Whenever the chimney penetrates a floor/ceiling, a firestop spacer must be installed

than 14½" is 14¾" using a 30° offset/return. It is then determined from the table that you would need 33¾" (Dimension "B") between the offset and return. The chimney components that best fit your application are two SL312's

CAUTION

DO NOT COMBINE OFFSETS TO CREATE AN OFFSET GREATER THAN 30° FROM VERTICAL.

Example: Your "A" dimension from Figure 8 is 14½". Using Table 1, the dimension closest to but not less

TABLE 1
Offset Chart* (Dimensions in inches)

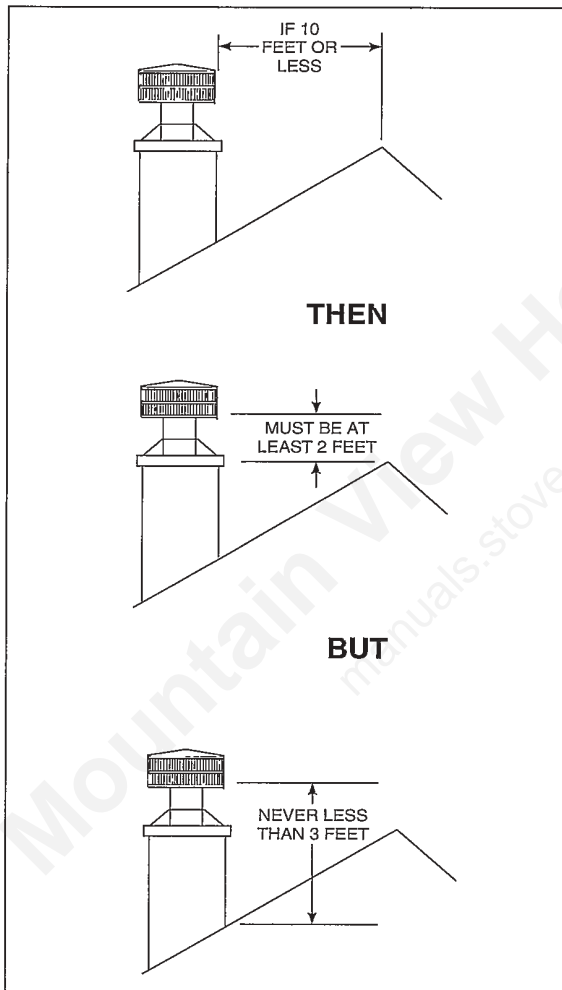
A	B	HSL312	HSL318	HSL336	HSL348
37/8	147/16	—	—	—	—
6¼	189/16	—	—	—	—
9¼	233/4	1	—	—	—
12¼	2815/16	—	1	—	—
145/8	331/16	2	—	—	—
175/8	38¼	1	1	—	—
21¼	449/16	—	—	1	—
235/8	4811/16	—	—	1	—
27¼	553/4	—	—	—	1
295/8	591/16	—	—	—	1
325/8	64¼	1	—	—	1
355/8	697/16	—	1	—	1
38	739/16	2	—	—	1
41	783/4	1	1	—	1
445/8	851/16	—	—	1	1
47	891/8	—	—	1	1
505/8	957/16	—	—	—	2

*Proper assembly of air cooled chimney parts result in an overlap at chimney joints of 1¼". Effective length is built into this chart

**CHIMNEY HEIGHT REQUIREMENTS
(Above the roof line)**

Major building codes specify a minimum chimney height above the roof top. These specifications are summarized in what is known as the "Ten Foot Rule". This rule states:

If the horizontal distance from the side of the chimney to the peak of the roof is 10 feet or less, the top of the chimney must be at least 2 feet above the peak of the roof, but never less than 3 feet in overall height above the highest point where it passes through the roof. See Figure 9.



**Figure 9
Chimney Height**

If the horizontal distance from the side of the chimney to the peak of the roof is more than 10 feet, a chimney height reference point is established on the surface of the roof a distance of 10 feet from the side of the chimney in a horizontal plane. The top of the

chimney must be at least 2 feet above this reference point, but never less than 3 feet in height above the highest point where it passes through the roof.

These chimney heights are necessary in the interest of safety and do not ensure smoke-free operation. Trees, buildings, steeply pitched roofs, adjoining roof lines, adverse wind conditions, etc., may create a need for a taller chimney should smoking occur.

DETERMINING THE NUMBER OF CHIMNEY SECTIONS REQUIRED

To determine the number of chimney components needed to complete your particular installation, follow the below steps:

1. Determine the total vertical height of the fireplace installation. This dimension is measured from the base of the firebox assembly to the point where the smoke exits the terminal cap.
2. Subtract the height of the firebox assembly from the overall height of the fireplace installation. See Figure 7 (page 11).
3. Reference the below chart to determine what components must be selected to complete the fireplace installation.
4. Determine the number of firestop spacers, stabilizers, roof flashing, etc., required to complete the fireplace installation.

Height of Chimney Components	
Chimney Stabilizer HSL3	4 $\frac{3}{8}$ "
Firestop Spacers HFS338 HFS340	0
Offset/Returns HSL330	14 $\frac{1}{16}$ "
Roof Flashings HRF370 HRF371	0
Chimney Sections*	
HSL312	10 $\frac{3}{4}$ "
HSL318	16 $\frac{3}{4}$ "
HSL336	34 $\frac{3}{4}$ "
HSL348	46 $\frac{3}{4}$ "

*Dimensions reflect effective height

STEP-BY-STEP INSTALLATION OF THE FIREPLACE SYSTEM

WARNING

BEFORE STARTING, DO THE FOLLOWING:

1. WEAR GLOVES AND SAFETY GLASSES FOR PROTECTION.
2. KEEP HAND TOOLS IN GOOD CONDITION. SHARPEN CUTTING EDGES AND MAKE SURE TOOL HANDLES ARE SECURE.
3. ALWAYS MAINTAIN THE MINIMUM AIR SPACE REQUIRED TO THE ENCLOSURE TO PREVENT FIRE.

STEP 1 - Positioning the fireplace

This fireplace may be placed on either a combustible or non-combustible continuous surface. Follow the instructions for framing on page 9. Be sure to provide the minimum 1/2" air clearance at the sides and back of the firebox assembly.

STEP 2 - Placing the protective metal hearth strips

Included with your fireplace you will find two metal hearth strips measuring approximately 23" x 4". These strips are used to provide added protection where the fireplace and hearth extension meet.

Slide the metal strips two inches under the front edge of the fireplace. The individual pieces must overlap each other by one inch in the middle of the fireplace to provide continuous coverage of the floor. See Figure 10. These metal strips should extend from the front and sides of the fireplace by 2".

STEP 3 - Leveling the fireplace

Level the fireplace side-to-side and front-to-back. Shim with non-combustible material, such as sheet metal, as necessary.

Important: To ensure proper fit of the glass doors, check the firebox opening for squareness. Measure diagonal distances of the opening to make sure they are equal. If they do not equal, continue to shim the firebox until those diagonals correspond.

Secure the fireplace by utilizing the nailing flanges located on either side of the fireplace to the vertical framing and on the nailing tabs located on the base of the unit.

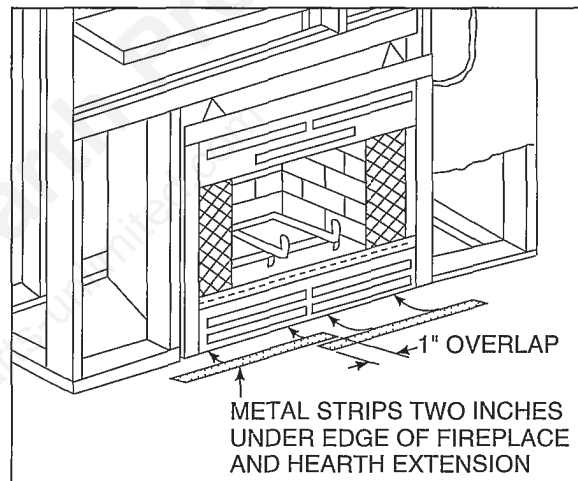


Figure 10
Positioning the metal strips

WARNING

CAREFULLY FOLLOW THE INSTRUCTIONS FOR ASSEMBLY OF THE PIPE AND OTHER PARTS NEEDED TO INSTALL THIS FIREPLACE SYSTEM. FAILURE TO DO SO MAY RESULT IN A FIRE, ESPECIALLY IF COMBUSTIBLES ARE TOO CLOSE TO THE FIREPLACE OR CHIMNEY AND AIR SPACES ARE BLOCKED PREVENTING THE FREE MOVEMENT OF COOLING AIR.

STEP 4 - Assembling chimney sections

Attach either a straight chimney section or an offset/return to the top of the fireplace. Chimney sections are locked together by pushing downward until the top section meets the stop bead on the lower section. When using offsets/returns, the offset and return sections must be secured in place with screws to ensure proper orientation. See Figure 11.

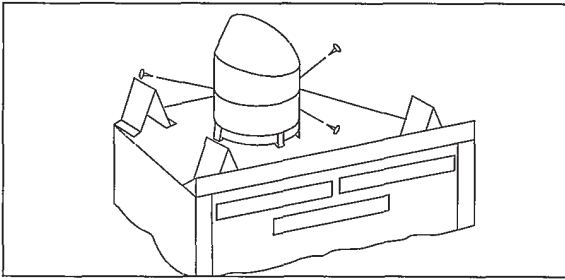


Figure 11
Offset Secured to Fireplace

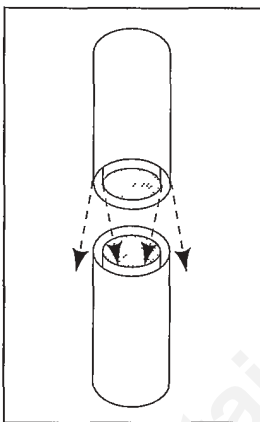


Figure 12
Connecting Chimney Sections

NOTE The inner flue is placed to the **inside** of the flue section below it. The outer casing is placed **outside** the outer casing of the chimney section below it. See Figure 12.

STEP 5 - Preparing the ceiling for firestop spacers

Mark and cut out an opening in the ceiling for the particular firestop spacer being utilized ($14\frac{1}{2}'' \times 14\frac{1}{2}''$ for an HFS338 or $14\frac{1}{2}'' \times 22\frac{15}{16}''$ for an HFS340). Frame the opening with the same dimension lumber used in the ceiling joists.

STEP 6 - Installing the firestop spacers

Install the firestop spacer HFS338 (Straight), or HFS340 (if a 30° offset is located in the ceiling joist area). Nail the four sides of the firestop spacer to the joists using a minimum of three (3) nails per side.

CAUTION

INNER FLUE AND OUTER LINER SECTIONS CANNOT BE DISASSEMBLED ONCE LOCKED TOGETHER. PLAN AHEAD TO INSURE THE PROPER INSTALLATION HEIGHT IS ACHIEVED WITH THE SELECTED CHIMNEY COMPONENTS.

These firestop spacers are designed to provide the minimum two inch air space required around the chimney. In all situations, the firestop spacers are to be nailed to the ceiling joists from the bottom or fireplace side, EXCEPT when the space above is an insulated ceiling or attic space. In this situation, the firestop spacer must be nailed from the top side to prevent loose insulation from falling into the required two inch air space around the chimney.

Firestop spacers must be used whenever the chimney penetrates a ceiling/floor area.

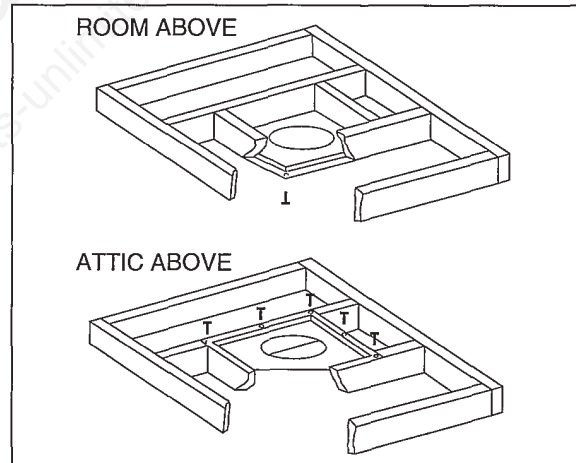


Figure 13
Installing the firestop spacer

STEP 7 - Installing an HAS8 insulation shield

An HAS8 insulation shield should be installed when there is a possibility of insulation coming into contact with the factory-built chimney system. The HAS8 is installed by positioning it over the vertical chimney section where it penetrates an HFS338 firestop spacer. The HFS338 will support the HAS8. See Figure 14 (page 16). When the factory-built chimney penetrates an insulated ceiling at either 15° or 30° degrees from vertical, an insulation dam should be constructed from plywood or sheet metal. A minimum 2" air space must be provided between the insulation dam and the factory-built chimney system.

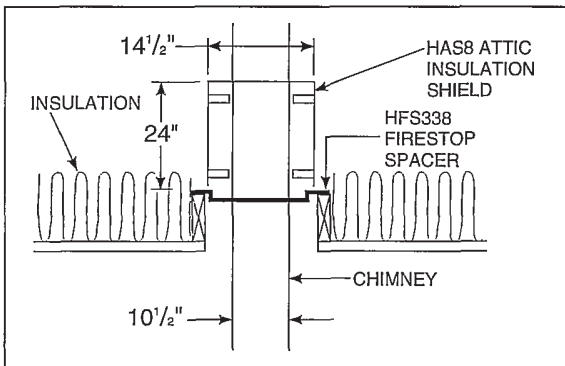


Figure 14
Installing an HAS8

STEP 8 - Double-checking chimney assembly

Continue assembling the chimney sections up through the firestop spacers as needed. While doing so, be aware of the height and unsupported chimney length limitations that are given on page 11 under "Chimney Requirements"

Check each section by pulling up slightly from the top to ensure proper engagement before installing the succeeding sections. If they have been connected correctly, they will not disengage when tested.

STEP 9 - Securing chimney system

When offsets and returns are joined to straight pipe sections, they must be locked into position with the screws provided, using the predrilled holes. To prevent gravity from pulling the chimney sections apart, the returns and the chimney stabilizers have straps for securing these parts to joist or rafters. See Figure 15.

NOTE Be sure to provide support for the pipe **during** construction and check to be sure inadvertent loading has not dislodged the chimney section from the fireplace or at any chimney joint.

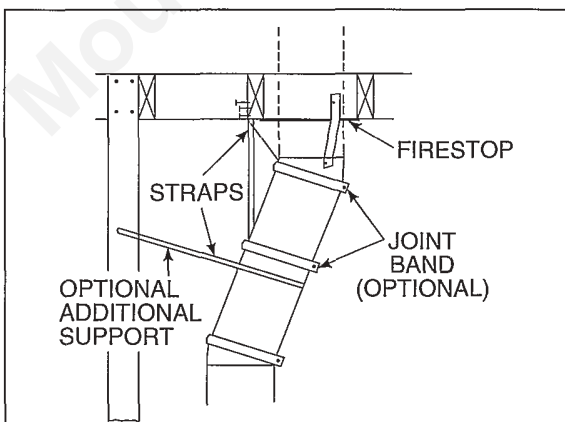


Figure 15
Offset/Return with stabilizer

WARNING

WHEN CHIMNEY SECTIONS EXCEEDING SIX FEET IN LENGTH ARE INSTALLED BETWEEN AN OFFSET/RETURN, STRUCTURAL SUPPORT MUST BE PROVIDED TO REDUCE OFF-CENTER LOADING AND PREVENT CHIMNEY SECTIONS FROM SEPARATING AT THE CHIMNEY JOINTS.

STEP 10 - Marking the exit point of the roof

Locate the point where the chimney will exit the roof by plumbing down to the center of the chimney. Drive a nail up through the roof to mark the center. See Figure 16.

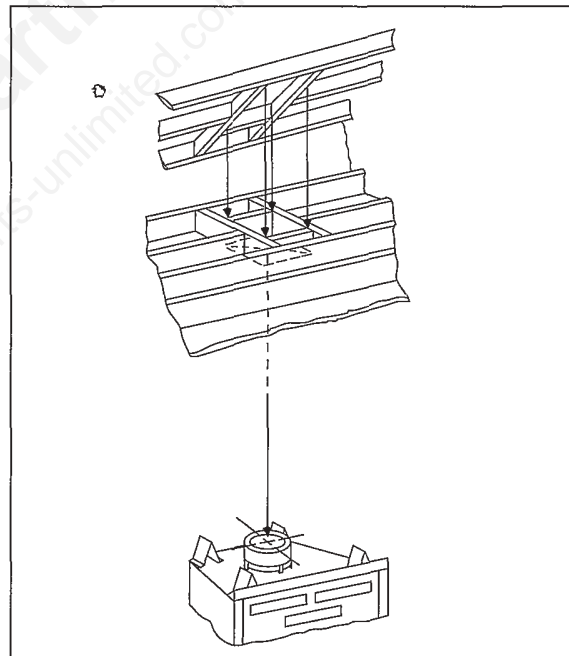


Figure 16
Ceiling and attic construction

STEP 11 - Cutting out the hole in the roof.

Measure to either side of the nail and mark the 14 1/2" x 14 1/2" opening required. This is measured on the horizontal, actual length may be larger depending on the pitch of the roof. Cut out and frame the opening. See chapter 25 of the Uniform Building code for Roof Framing details. Be sure to maintain a 2" minimum air space between the chimney section and the roof.

STEP 12 - Assembling chimney sections

Continue to add chimney sections through the roof opening, maintaining at least a 2" air space

STEP 13 - Installing an outside combustion air kit

The Model AK-225 Outside Air System Kit consists of one house vent, two plastic ties and one starting collar

UL Listed Class 1-4" flexible air duct should be installed to bring outside air from the exterior of the structure to the fireplace. The house vent should be installed on the exterior of the structure and located so that the vent attic space, garage or other area that may contain combustible fumes

This kit must be installed before the fireplace is enclosed. Detailed installation instructions are included with the kit

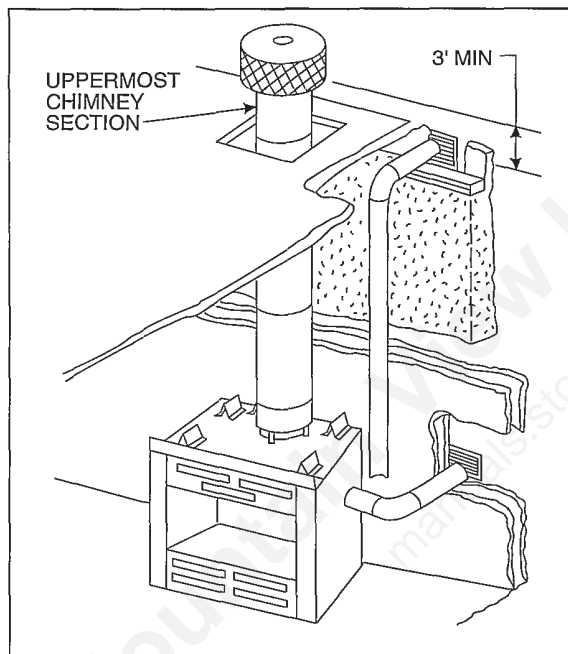


Figure 17
Outside Air Location

STEP 14 - Installing a blower (optional)**WARNING**

DISCONNECT POWER BEFORE STRIPPING OR JOINING ANY SUPPLY WIRES. ONLY PERSONS QUALIFIED FOR MAKING ELECTRICAL INSTALLATIONS (ELECTRICIANS) AS RECOGNIZED BY LOCAL OR NATIONAL GOVERNMENTAL BODIES SHOULD ATTEMPT TO MAKE THE INCOMING SUPPLY WIRE CONNECTIONS.

The EM41 and EM42AT are heat circulating fireplaces that come equipped with a blower, a junction box, and an ON/OFF variable speed control (wall mount type)

110VAC service must be connected to the blower system by a licensed electrician. See Figure 18 for the typical blower system wiring diagram and the typical access to the junction box

To service or replace the blower, use the following steps

- 1 Remove the lower fireplace grille
- 2 Unplug the blower from the junction box on the fireplace
3. Remove the screws from the blower mounting brackets and carefully slide blower out of the unit
- 4 To re-install blower, reverse these steps

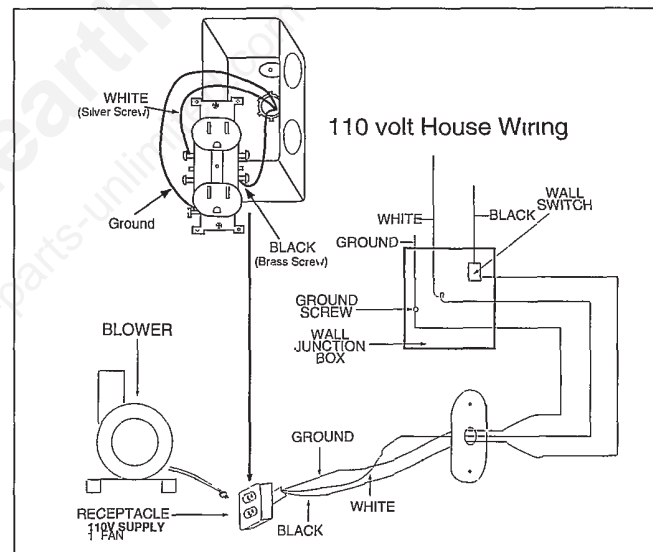


Figure 18
The Blower

NOTE. An HBC10 motor speed control kit is available for use with this fan kit. Refer to the instructions packed with it for proper installation. If a speed control option is desired, it is recommended that you use the HBC10 kit to insure proper function

STEP 15 - Completion of fireplace enclosure

Complete the fireplace enclosure, allowing space for outside air ducts and gas piping if desired. Electrical wiring should not come in contact with the unit. A minimum clearance of 1/2" must be maintained between the fireplace sides and the enclosure as well as the fireplace back and the enclosure. See Figure 4 for framing details

STEP 16 - Provisions for an optional gas log set

Gas Line Tubes are provided on both sides of the fireplace to allow for connection of a certified gas log lighter or a decorative gas appliance with a maximum input of 100,000 BTU/hr incorporating an automatic gas shutoff device and complying with the Standard for Decorative Gas Appliances for Installation in Vented Fireplaces, ANSI Z21 60. The decorative gas appliance should be installed in accordance with the National Fuel Gas Code, ANSI Z223 1-1980. The side refractories are designed to allow 1/2" iron pipe to pass through. Remove the brick support bracket from the plastic bag and bend the ends as shown in Figure A of Figure 19. The gas line access is on the right side of the fireplace. Slide the center piece of firebrick up and place the support bracket under the brick. This bracket will support the brick and provide a space underneath it, through which a gas line can be run (Figure B). Pack the gas line access hole on the exterior of the fireplace with insulation after a gas line has been installed.

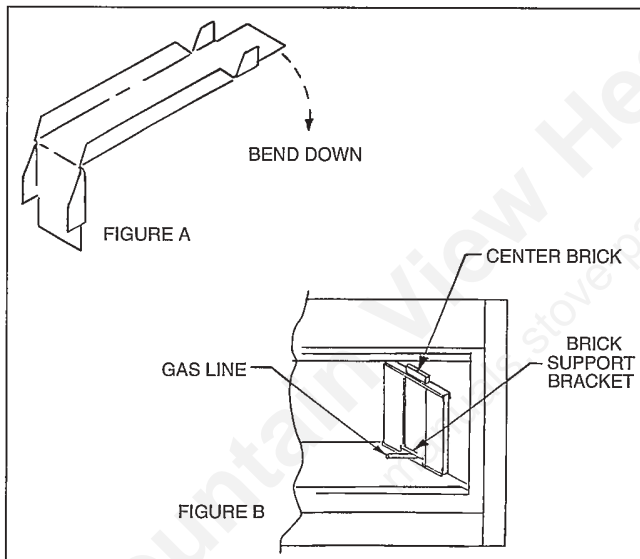


Figure 19
Gas Line Installation

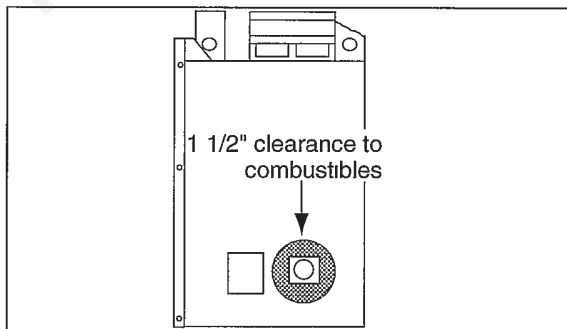


Figure 20
Gas Knockout Location

CAUTION

WHEN USING A GAS LOG SET, THE FIREPLACE DAMPER MUST BE SET IN THE FULLY OPEN POSITION. THIS ENSURES A PROPER VENTING OF COMBUSTION PRODUCTS.

WARNING

THIS FIREPLACE WAS NOT TESTED BY THE FIREPLACE MANUFACTURER FOR USE WITH AN UNVENTED GAS LOG HEATER. DO NOT INSTALL AN UNVENTED GAS LOG HEATER IN THIS FIREPLACE UNLESS IT HAS BEEN SPECIFICALLY TESTED AND LISTED BY UNDERWRITERS LABORATORIES INC FOR USE IN THIS SPECIFIC MODEL FIREPLACE. UNLESS THE UNVENTED GAS LOG HEATER IS TESTED AND LISTED FOR USE IN THIS FACTORY-BUILT FIREPLACE, A FIRE HAZARD MAY BE CREATED THAT CAN RESULT IN A STRUCTURE FIRE.

STEP 17 - Installing the glass doors

If desired, or required by local building codes, install the glass doors using the instructions supplied with the particular set of doors you have chosen.

STEP 18 - Positioning the hearth extension

Position and secure the hearth extension over the protective metal strips that have been placed partially under the firebox front. These strips should be protruding approximately two inches from under the fireplace front. Seal the crack between the hearth extension and fireplace with a non-combustible sealant.

STEP 19 - Applying finishing materials on the hearth extension

Apply the non-combustible finishing material of your choice to the hearth extension. **Do not install combustible materials over the black face of the fireplace. This poses a safety hazard and may start a fire.**

CONSTRUCTING A CHASE

A chase is a vertical box-like enclosure built around the chimney and firebox. A chase may be constructed for the fireplace *and* chimney or for the chimney only. It is most commonly constructed on an outside wall.

In cold climates, it is recommended that the chase floor be insulated using batt type insulation between the floor joists.

Three examples of chase applications are shown in Figure 21.

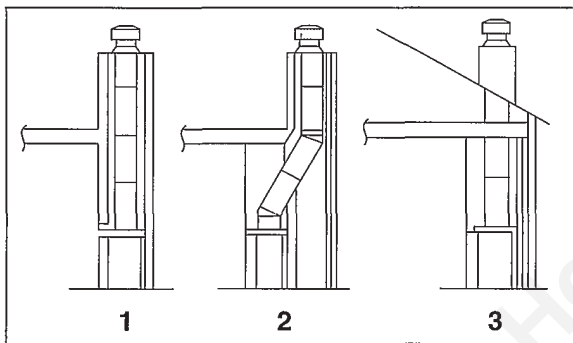


Figure 21
Chase Constructions

- 1 Fireplace and chimney enclosed in an exterior chase
- 2 Chimney offset through exterior wall and enclosed in chase
- 3 Chase constructed on roof

Materials for the chase

The chase is constructed using framing materials much the same as the walls in your home. A variety of materials may be used including brick, stone, veneer brick, or standard siding materials.

In constructing the chase, several factors must be considered:

- 1 Maintain an 1/2" minimum air space around the firebox.
- 2 Maintain a 2" air space around the chimney.
- 3 The chase top must be constructed of a non-combustible material.
- 4 In cold climates a firestop spacer should be installed in an insulated false ceiling at the 8 foot level above the firebox assembly. This prevents heat loss through the fireplace.

- 5 In cold climates, the walls of the chase should be insulated to the level of the false ceiling as shown in Figure 22. This will help prevent heat loss from the home around and through the fireplace.

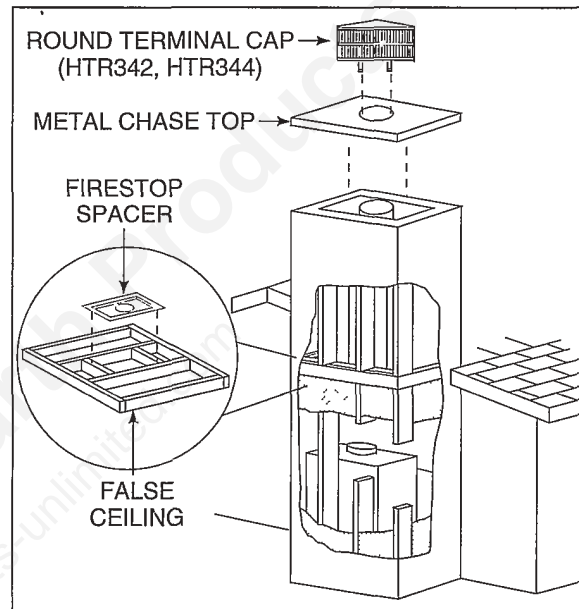


Figure 22
Chase Assembly

WARNING

INSTRUCTIONS FOR INSTALLATION OF THE CHASE TOP, STORM COLLAR AND TERMINAL CAP ARE PACKAGED WITH THESE PARTS. TO AVOID DANGER OF FIRE, ALL INSTRUCTIONS MUST BE STRICTLY FOLLOWED, INCLUDING THE PROVISION OF AIR SPACE CLEARANCE BETWEEN CHIMNEY SYSTEM AND ENCLOSURE. TO PROTECT AGAINST EFFECTS OF METAL CORROSION ON THOSE EXPOSED TO THE WEATHER, WE RECOMMEND THAT THE CHASE TOP AND TERMINAL CAP BE PAINTED WITH A RUST RESISTANT PAINT.

Installing a terminal cap on a chase enclosed chimney

Construct a chase of desired materials maintaining a minimum 2" air space around the chimney

WARNING

NEVER INSTALL A SINGLE WALL SLIP SECTION OR SMOKE-PIPE IN A CHASE STRUCTURE. THE HIGHER TEMPERATURE OF THIS SINGLE WALL PIPE MAY RADIATE SUFFICIENT HEAT TO COMBUSTIBLE CHASE CONSTRUCTION MATERIALS TO CAUSE A FIRE.

Install the chimney sections up through the chase enclosure. When using a HTR344 round terminal cap, the last section of pipe must extend above the top of the chase cone to allow installation of the storm collar and terminal cap. See Figure 23

For installations utilizing a telescoping round terminal cap (HTR342), the last chimney section must be below the top of the chase top, but not more than 14 1/2" below the top of the chase top flashing collar

For installations utilizing a square terminal cap (HST375), the last chimney section must not be more than 4 3/4" below the chase top. See separate installation instructions

Attach the chase top (HCT35) to the top of the chase

Install the terminal cap, using the instructions provided with it

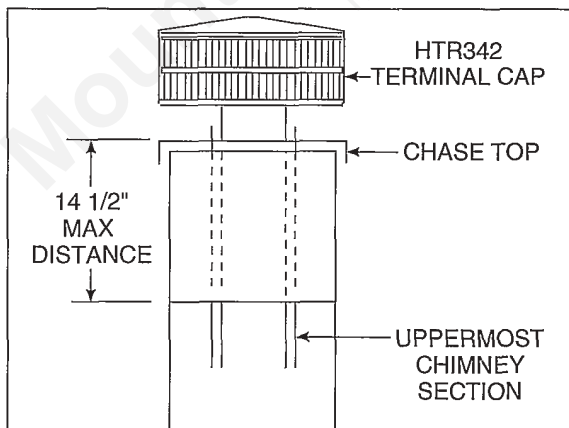


Figure 23
Installing a terminal cap

OPERATING INSTRUCTIONS

WARNING

DO NOT OPERATE THIS FIREPLACE WITH THE FLUE DAMPER IN THE CLOSED POSITION. COMBUSTION PRODUCTS MUST VENT UP THE CHIMNEY SYSTEM TO PREVENT CARBON MONOXIDE POISONING, AND TO PREVENT HOT COMBUSTION GASES FROM CONTACTING AND OVERHEATING COMBUSTIBLE SURFACES. FAILURE TO OPERATE THIS FIREPLACE WITH THE DAMPER IN THE OPEN POSITION MAY RESULT IN ASPHYXIATION OR A STRUCTURE FIRE.

This fireplace is intended to operate as a supplemental heat source for a single room. It is not designed to function as a primary heat source for a structure.

Fireplaces, as well as other woodburning appliances, have been used safely for many years. It has been our experience that most problems are caused by improper installation and operation of the unit. Make certain that installation and operation of the fireplace system is in accordance with these instructions.

It is extremely important that the fire be supervised whenever the fireplace is in use. It is also recommended that an annual inspection be performed on the fireplace system to determine if the flue system needs to be cleaned, or as in the case of any appliance, if minor repairs are required to maintain the system in top operating condition.

INTENDED USAGE. This factory-built fireplace is intended for use with either solid fuel (firewood) or a decorative gas appliance that has been tested and listed to the Standard for Decorative Gas Appliances for Installation in Vented Fireplaces, ANSI Z21.60. **When operating your fireplace, the flue damper must be in the open position.**

This fireplace was not tested and listed for use with an unvented gas log heater. Do not install an unvented gas log heater in this fireplace and operate it with the flue damper in the full closed position unless the unvented gas log has been specifically tested and listed for use in this fireplace by Underwriters Laboratories Inc. Use of an unvented gas log heater in this factory-built fireplace may create a fire hazard that can result in a structure fire.

NOTICE

SAVE AND PASS THESE OPERATING INSTRUCTIONS AND THE INSTALLATION INSTRUCTIONS TO SUBSEQUENT OWNERS. THE INFORMATION PROVIDED IS INTENDED TO NOTIFY AND WARN THEM ABOUT MAKING UNSAFE FUTURE MODIFICATIONS SUCH AS THE ADDITION OF SHELVES OR THE USE OF UNAUTHORIZED PARTS AND REPAIRS.

CAUTION

FIREPLACE OPERATION DOES REQUIRE AIR. DO NOT TAKE AIR FROM OTHER FUEL BURNING APPLIANCES WHICH CAN RESULT IN IMPROPER VENTING (SMOKING) OR AIR DILUTION. ALWAYS PROVIDE ADEQUATE MAKE-UP AIR.

STARTING THE FIRE. Check the flue damper to be certain it is in the full open position. Place crumpled or twisted paper under the fireplace grate. Loosely arrange kindling and small pieces of wood to form a layer above the paper. Light the paper and add small pieces of wood until a hot bed of embers has been established. At this point add progressively larger pieces of wood until you are able to position 4" diameter split logs as shown in Figure 24.

When first lighting your fireplace, it may be necessary to pre-warm the flue to establish a draft. This is done by holding a rolled up piece of burning newspaper under the flue damper for a few moments. This will prevent smoke spillage during start-up.

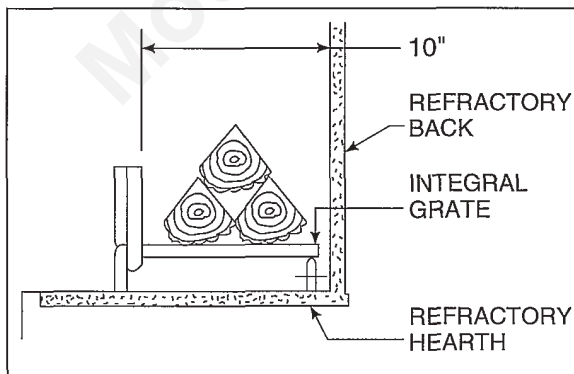


Figure 24
Sectional View of Fireplace

Firewood should be seasoned for at least 6 months before it can be burned as a fireplace fuel. Improperly seasoned (green or wet) wood will cause the fireplace to smoke, will allow creosote deposits to rapidly build up in the chimney system and may cause roof stains to develop.

Fuel products with abnormal burning characteristics, including synthetic logs that contain wax binders, scrap lumber, wax or plastic coated cardboard and other highly volatile fuels that burn at excessive temperatures, may cause the fireplace to operate in an unsafe manner. Flammable liquid fuels are explosive and must never be used to start or freshen a fire. Heat-N-Glo does not warrant the structural or functional performance of the fireplace system when such synthetic fuels or flammable liquids have been used.

NOTE. When heated for the first several times, the fireplace should be heated gradually to prevent moisture in the refractory from causing cracks and to allow binders in the insulation to dissipate. You will notice an industrial odor during the first few fires that are burned. This is considered to be normal.

Use only a solid wood fuel or a listed Heat - N - Glo gas log set. Do not use a fireplace insert or products not specifically tested and listed for use in this fireplace.

Use common sense when burning this fireplace. The fire must be built on the fireplace grate, without danger of the burning fuel falling out of the firebox.

CAUTION

NEVER USE GASOLINE, GASOLINE-TYPE LANTERN FUEL, KEROSENE, CHARCOAL LIGHTER FLUID, OR SIMILAR LIQUIDS TO START OR 'FRESHEN UP' A FIRE IN THIS FIREPLACE. KEEP ALL SUCH LIQUIDS WELL AWAY FROM THE FIREPLACE WHILE IT IS IN USE TO AVOID THE RISK OF A HOSTILE FIRE.

DISPOSAL OF ASHES. Ashes should be placed in a metal container with a tight-fitting lid. The closed container of ashes should be placed on a non-combustible floor or on the ground, well away from all combustible materials, pending final disposal. If the ashes are disposed of by burial in soil or otherwise locally dispersed, they should be retained in the closed container until all embers have thoroughly cooled.

GLASS DOORS. The greatest heat output is realized when operating the fireplace with the glass doors open. When the doors are open, the screen must be closed. When the fireplace is not in use, Glass Doors will prevent loss of room heat through the chimney. Only Heat-N-Glo Listed doors may be used.

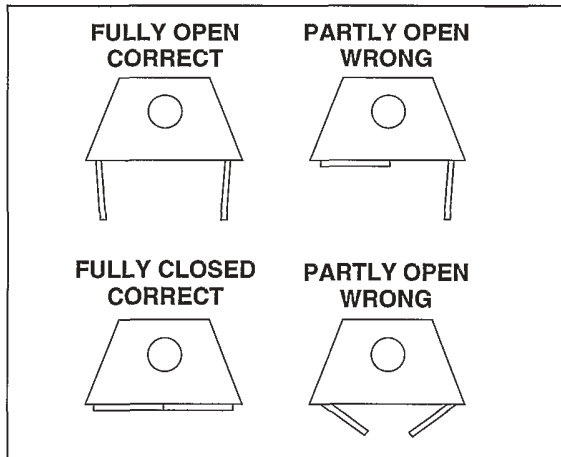


Figure 25
Recommended Operating Positions of Doors

WARNING

FIREPLACES EQUIPPED WITH DOORS SHOULD BE OPERATED ONLY WITH DOORS FULLY OPEN OR FULLY CLOSED. IF DOORS ARE LEFT PARTIALLY OPEN, GAS AND FLAME MAY BE DRAWN OUT OF THE FIREPLACE OPENING, CREATING THE RISK OF BOTH FIRE AND SMOKE.

WARNING

CONTINUED OVER-FIRING CAN PERMANENTLY DAMAGE YOUR FIREPLACE SYSTEM. EXAMPLES OF OVER-FIRING ARE:

1. THE "NORMAL LOG FIRE" SHOULD BE CONTAINED IN THE GRATE, WITH THE LENGTH OF LOGS NO GREATER THAN THE BACK WALL OF THE FIREPLACE.
2. THE FOLLOWING MATERIALS MUST NOT BE USED IN THIS FIREPLACE: QUANTITIES OF SCRAP LUMBER, PINE BRANCHES, PROCESSED FIRE LOGS AND FIRE STARTERS, OR CARDBOARD BOXES WHICH EXCEED THE VOLUME OF THE "NORMAL LOG FIRE". THESE MATERIALS PRODUCE MANY SPARKS AND MUST NOT BE USED.

SIDE BRICK INSTALLATION.

- 1 Remove side brick pieces from inside of fireplace
- 2 Set bottom of brick into lower brick support (three pieces per side) See Figure 26
- 3 Bend upper brick support up just enough to pivot brick under channel
- 4 Push upper brick support down over brick until it bottoms out in the channel.
- 5 Repeat procedure for other side

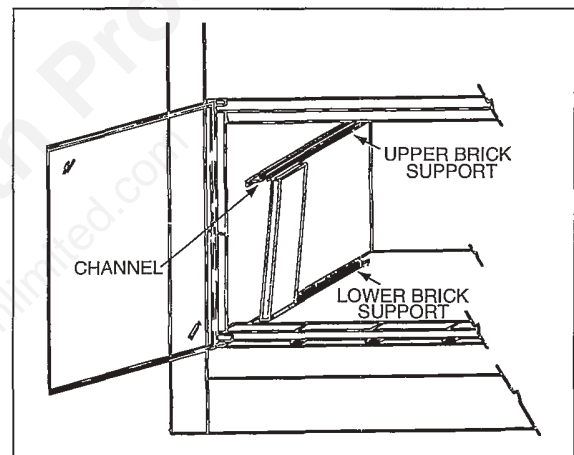


Figure 26
Side Brick Installation

Before starting a fire in your EM Series fireplace, use the following check list

FLUE DAMPER. The flue damper is fully open when the control is fully out and is fully closed when the control is fully in. The adjustable damper setting is 15% closed.

CHIMNEY INSPECTION. Visually inspect the chimney internally for obstructions and construction damage. Flue pipe joints and seams must be continuous and mechanically tight. In a used chimney, additional inspection is needed for creosote build-up which is the formation of a flammable sediment.

When wood is burned slowly, it produces tar and other organic vapors, which combine with expelled moisture to form creosote. The creosote vapors condense in the relatively cool chimney flue of a slow-burning fire. As a result, creosote residue accumulates on the flue lining. When ignited, this creosote makes an extremely hot fire.

The chimney should be inspected at least twice a year during the heating season to determine if creosote build-up has occurred. If creosote has accumulated, it should be removed to reduce the risk of a chimney fire.

CHIMNEY CLEANING. If you do detect a build-up of creosote, contact a qualified chimney sweep or clean it yourself. To do this, perform the following steps:

- 1 Open the damper
- 2 Hang a damp sheet across the fireplace opening to stop dirt and soot from entering the room
- 3 Remove the Terminal Cap or Housing Top. See Figure 27
- 4 Clean with a stiff nylon brush attached to a pole **OR** tie a rope to a burlap bag filled with straw and several small stones or sand. Work up and down the flue until clean.
- 5 Replace the terminal cap or housing top.

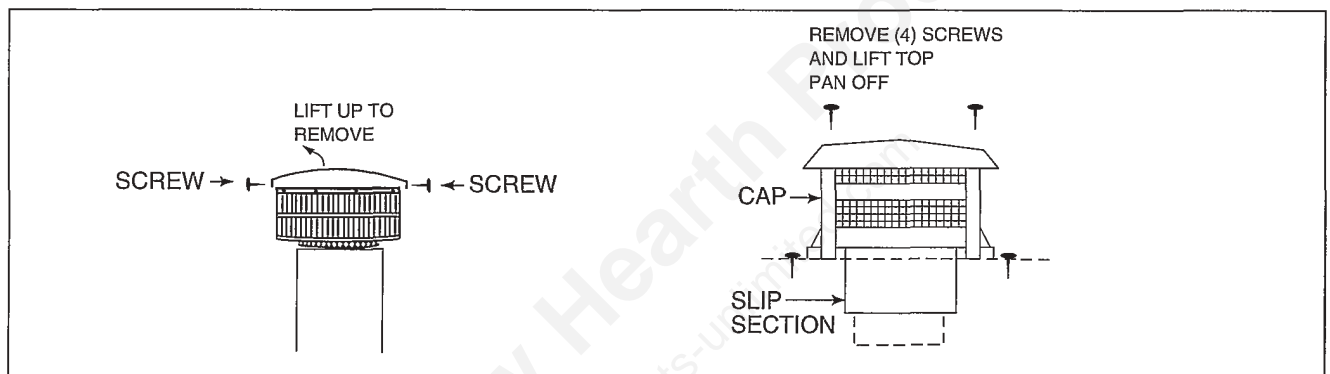


Figure 27
Terminal Caps

WARNING

A CHIMNEY FIRE CAN PERMANENTLY DAMAGE YOUR CHIMNEY SYSTEM. THIS DAMAGE CAN ONLY BE REPAIRED BY REPLACING THE DAMAGED COMPONENT PARTS. CHIMNEY FIRES ARE NOT COVERED BY THE LIMITED WARRANTY AND BUYER PROTECTION PLAN.

CLEAR SPACE NEAR FIREPLACE. The hearth extension must extend at least 16 inches to the front and 8 inches to the sides of the firebox opening. Combustible materials must not be stored in this area. Combustible walls perpendicular to the front of the fireplace must be at least 18 inches from the fireplace opening. Room furnishings such as drapes, curtains, chairs, or other combustibles must be at least 4 feet from the open front of the fireplace.

GRATE. The factory installed integral grate must be used to hold the logs from falling out of an open fireplace and to allow air to pass between the burning logs. It is important to keep the fire off the hearth and to allow the ashes to collect beneath the fire, thereby forming a layer of additional heat protection. See Figure 24.

FIRESCREEN. A firescreen is always provided to control sparks. It must be closed whenever the fireplace is in use. Glass doors or firescreens must not be used to hold burning material inside the fireplace. Only those glass door units specifically tested and listed for use with the specific fireplace model should be used. Screens should be closed when the glass doors are closed.

CAUTION

WHEN LEFT CLOSED WHILE BURNING YOUR FIREPLACE, FIRESCREENS AND GLASS DOORS WILL BE HOT. HANDLE WITH CARE.

NEGATIVE AIR PRESSURE WITHIN THE STRUCTURE. This fireplace will operate correctly only if adequate ventilation is provided to allow proper draft to the fireplace system. Heat-N-Glo assumes no responsibility for the improper performance of the fireplace system caused by inadequate draft due to environmental conditions, down-drafts, tight sealing construction of the structure, or mechanical exhausting devices which create a negative air pressure within the structure where the fireplace is located.

WARRANTY FOR HEAT-N-GLO FIREPLACES

The limited warranty will not become effective until you have mailed the completed warranty card to **HEAT-N-GLO
FIREPLACE PRODUCTS, INC., SAVAGE, MN 55378**
This card must be mailed within 60 days of the fireplace installation.

Subject to the conditions set forth herein, Heat-N-Glo Fireplace Products, Inc., extends the following limited warranty with respect to your Heat-N-Glo fireplace, excluding accessories, chimney components and glass doors

If Heat-N-Glo is satisfied that any part or portion of the fireplace covered by this warranty is defective in material or workmanship under normal use and service as described in the operating instructions, Heat-N-Glo will take the following actions

- 1 Within the first five (5) years from the date of installation, Heat-N-Glo shall, at its option, replace or repair any such defect in material or workmanship, at Heat-N-Glo expense **HEAT-N-GLO SHALL NOT BE RESPONSIBLE FOR ANY OTHER LABOR COSTS, OR EXPENSES, INCLUDING INDIRECT, INCIDENTAL OR CONSEQUENTIAL DAMAGES**
- 2 During the sixth (6th) through the (10th) years after the date of installation, Heat-N-Glo shall supply replacement parts or parts at no charge, but **SHALL NOT BE RESPONSIBLE FOR ANY LABOR, TRANSPORTATION, OR OTHER INDIRECT DAMAGES**
- 3 During the eleventh (11th) through the fifteenth (15th) years after date of installation, Heat-N-Glo will send to you, FOB its factory, replacement parts (if available) at the current minimum wholesale price, but Heat-N-Glo **SHALL NOT BE RESPONSIBLE FOR ANY LABOR, TRANSPORTATION OR OTHER INDIRECT DAMAGES**
- 4 During the first six (6) months after installation, HEAT-N-GLO shall, at its option, replace or repair the glass doors and any electrical components, if operation is faulty (This does not include glass panels broken during shipment, misuse or careless handling) After the first six (6) months, HEAT-N-GLO will sell to you, FOB its factory, replacement parts at the current list price, but **HEAT-N-GLO SHALL NOT BE RESPONSIBLE FOR ANY LABOR, TRANSPORTATION OR OTHER INDIRECT DAMAGES IF GLASS DOORS OTHER THAN FACTORY DOORS ARE USED ALL WARRANTY AND LIABILITY ON THE FIREPLACE IS VOIDED**

Heat-N-Glo may discharge its entire warranty liability by refunding the price of the product

Products made by other manufacturers, sold with the fireplace or thereafter are not covered by this limited warranty

This limited warranty will be void if the fireplace is not installed according to the installation instructions The limited warranty also is void if the fireplace is not operated, at all times, according to the operating instructions furnished The limited warranty will also be void if the fireplace is removed from the place originally installed

EXCEPT TO THE EXTENT PROVIDED BY LAW, NO IMPLIED WARRANTIES OF MERCHANTABILITY OR FITNESS FOR A PARTICULAR PURPOSE, AND NO IMPLIED WARRANTIES SHALL APPLY TO THE FIREPLACE AFTER THE ABOVE LIMITED WARRANTY HAS EXPIRED

In states that do not allow limitations on how long implied warranty lasts, or do not allow exclusion of indirect damages, those limitations or exclusions may not apply to you You may also have additional rights not covered in this limited warranty

HEAT-N-GLO reserves the right to make changes at anytime, without notice, in design, material, specifications and prices and the right to discontinue styles and products

• UNDERWRITERS LABORATORIES REPORT NO. 5850

