

heatilator®

AMERICA'S FIREPLACE SPECIALISTS

Heatilator Inc.
1915 W. Saunders Road
Mt. Pleasant, IA 52641
Division, HON INDUSTRIES

This appliance has been retired.
Service parts pages within have been removed.
For replacement parts, please refer to the individual
service parts list located on the brand websites.

BH42

INSTALLATION INSTRUCTIONS

FOR RESIDENTIAL USE

I. LISTINGS AND CODE APPROVALS

The BH42 fireplace systems have been tested in accordance with Underwriters Laboratories Inc. procedures, and have been LISTED by them for installation and operation as described in these Instructions and in the Operating Instructions accompanying each fireplace.

Fireplace Catalog Number BH42 has been tested and LISTED for use with the Optional Components described in Part II of these Instructions. These Optional Components may be purchased separately and installed either at the time of initial installation or at some later date.

Fireplace Catalog Number BH42C includes partial factory assembly of Outside Combustion Air Kit, AK42-A. Fireplace Catalog Number BH42B includes partial factory assembly of the Fans or Blowers, FK42. Fireplace Catalog Number BH42H includes partial factory assembly of both Fans, FK42, and Air Kit, AK42-A.

Check with your Local building code agency before you begin installation to ensure compliance with local codes, including the need for "permits" and follow-up inspections. If any problems are encountered regarding code approvals, or if you wish clarification of any of the instructions contained here, contact: Customer Relations, Heatilator Inc., 1915 W. Saunders Road, Mt. Pleasant, Iowa 52641. HEATILATOR® is a registered trademark of Heatilator Inc., Division, HON INDUSTRIES.

WARNING

THIS HEATILATOR FIREPLACE AND ITS COMPONENTS ARE DESIGNED TO BE INSTALLED AND OPERATED AS A SYSTEM. ANY ALTERATION TO OR SUBSTITUTION FOR ITEMS IN THIS SYSTEM UNLESS ALLOWED BY THESE INSTALLATION INSTRUCTIONS WILL VOID THE UNDERWRITERS LABORATORIES LISTING AND THE PRODUCT WARRANTY AND MAY CREATE A HAZARDOUS INSTALLATION. READ THROUGH THESE INSTRUCTIONS THOROUGHLY PRIOR TO STARTING YOUR INSTALLATION AND FOLLOW THEM CAREFULLY THROUGHOUT YOUR PROJECT.

II. DESCRIPTION OF THE FIREPLACE SYSTEM

The HEATILATOR® Fireplace system consists of the following:

1. Fireplace
2. Hearth Extension
3. Chimney System
4. Roof Termination
5. Grate

Optional components include:

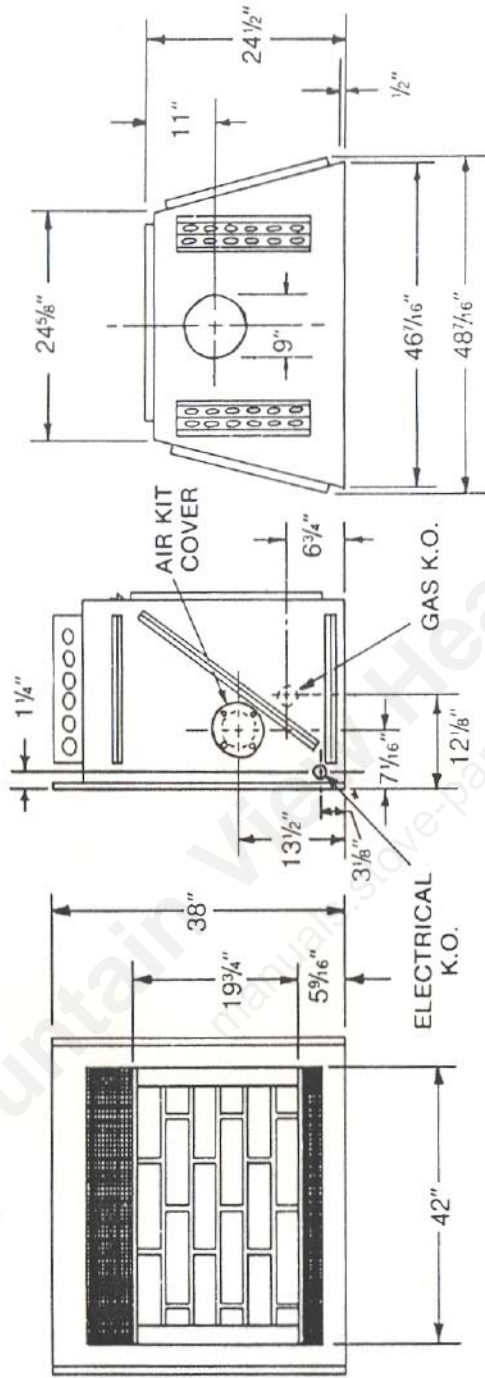
1. Glass Doors
2. Outside Combustion Air System
3. Heat Circulating Fans

THE FIREPLACE SYSTEM COMPONENTS

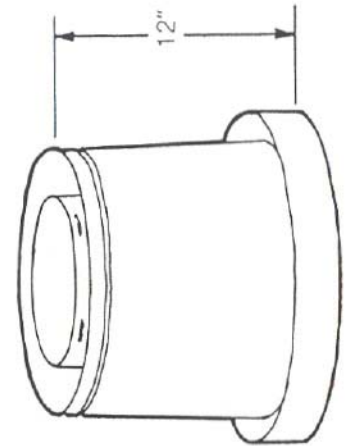
The table below, together with the following drawings, shows only those components which may be safely used with this fireplace.

Catalog Designation	Description
BH42	Fireplace
HX42	Hearth Extension
FK42	Fan Kit
GD42	Glass Doors - Bifold
GR42-1	Grate (included with Fireplace)
AC542	Transition Section
AC506	Chimney Section - 6 inch long
AC512	Chimney Section - 12 inch long
AC536	Chimney Section - 36 inch long
AC548	Chimney Section - 48 inch long
SZ5	Chimney Stabilizer
OR530	Chimney Offset/Return - 30°
FS538	Firestop - Straight
FS540	Firestop - 30°
JB577	Chimney Joint Band
CB576	Chimney Bracket
RF580	Roof Flashing - Flat to 6/12 Pitch
RF581	Roof Flashing - 6/12 to 12/12 Pitch
RT574	Chimney Terminal Cap - Round
ST575	Chimney Terminal Cap - Square
RB48	Simulated Red Brick Chimney Termination
TB48	Simulated Tan Brick Chimney Termination
AK42-A	Air Kit - Outside Air
CT56	Chase Top
SZ810	Chimney Strapping
ID4	Insulated Duct/Outside Air
UD4	Uninsulated Duct/Outside Air

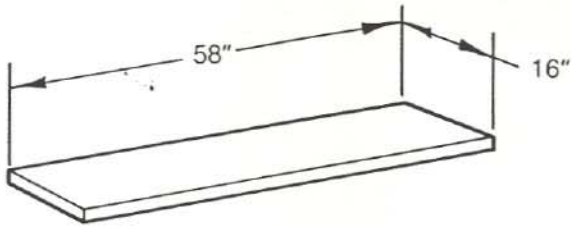
BH42 FIREPLACE



TRANSITION SECTION (Included with Fireplace)

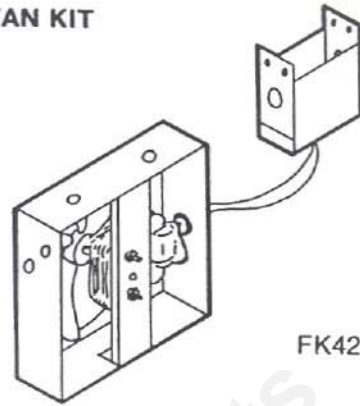


HEARTH EXTENSION



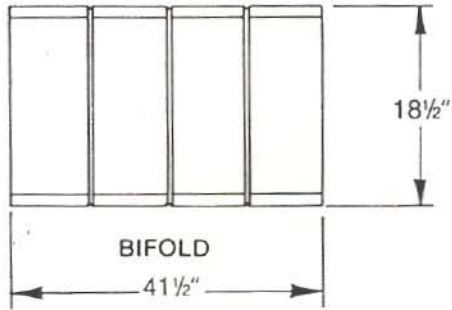
HX42

FAN KIT



FK42

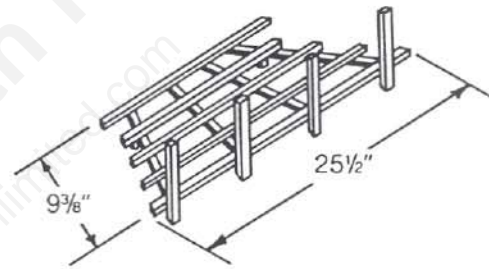
GLASS DOORS



BIFOLD

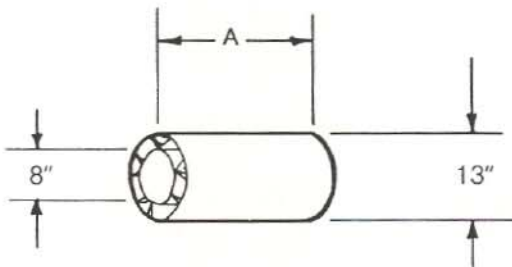
GD42

GRATE



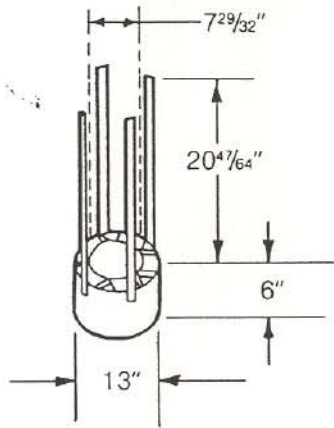
GR42-1

CHIMNEY SECTIONS



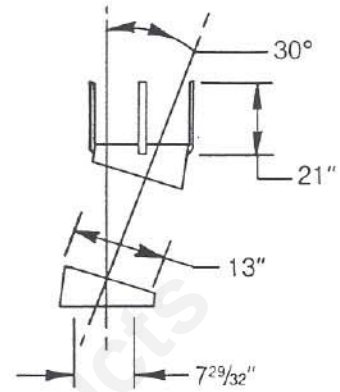
CAT. NO.	A
AC506	6"
AC512	12"
AC536	36"
AC548	48"

CHIMNEY STABILIZER



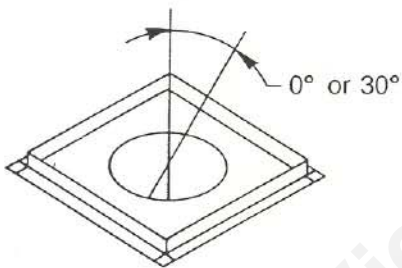
SZ5

OFFSET/RETURN



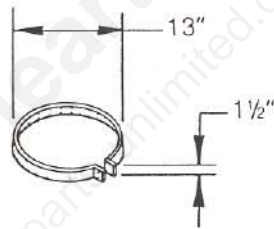
OR530

FIRESTOP SPACERS



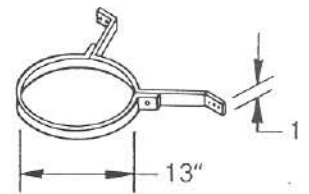
FS538 (0°)
FS540 (30°)

JOINT BAND



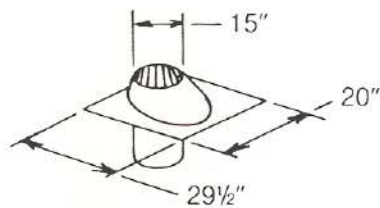
JB577

CHIMNEY BRACKET

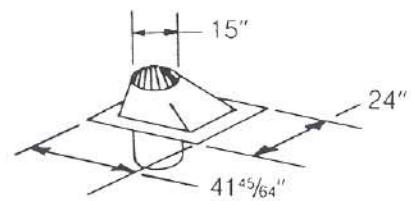


CB576

ROOF FLASHINGS

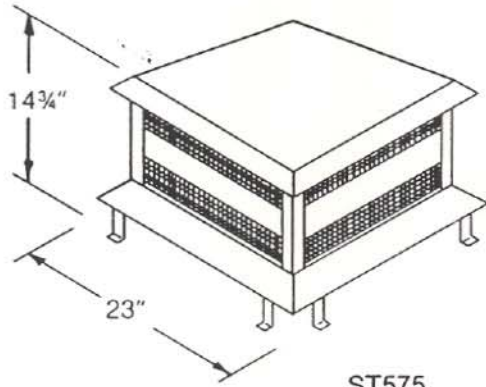


Flat to 6/12 Pitch
RF580

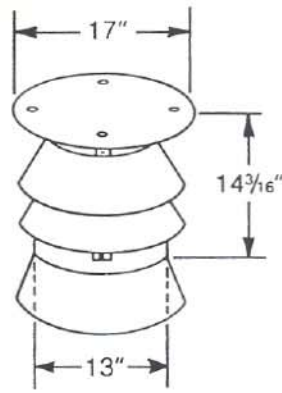


6/12 to 12/12 Pitch
RF581

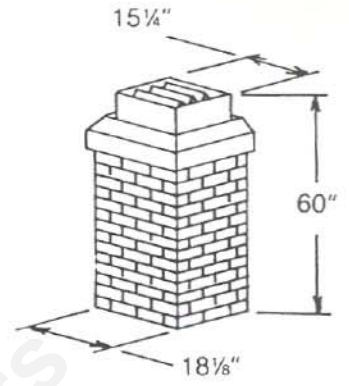
CHIMNEY TERMINAL CAP & TERMINATIONS



ST575

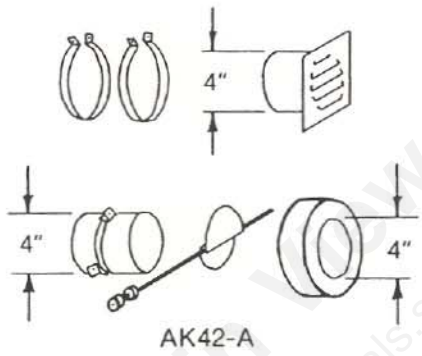


RT574

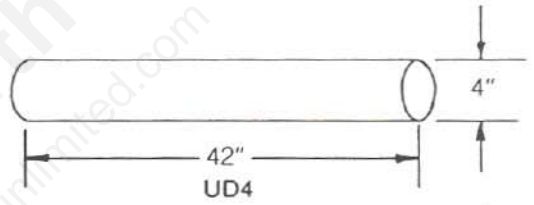


RB48 Red
TB48 Tan

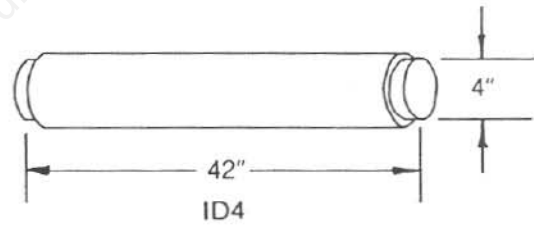
AIR KIT



AK42-A

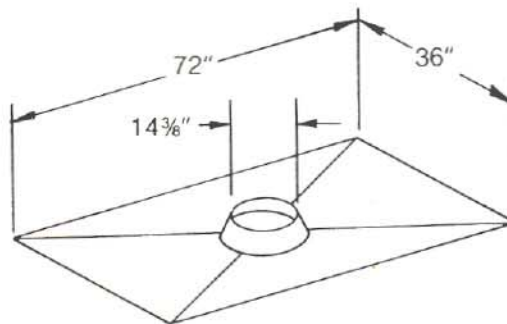


UD4



ID4

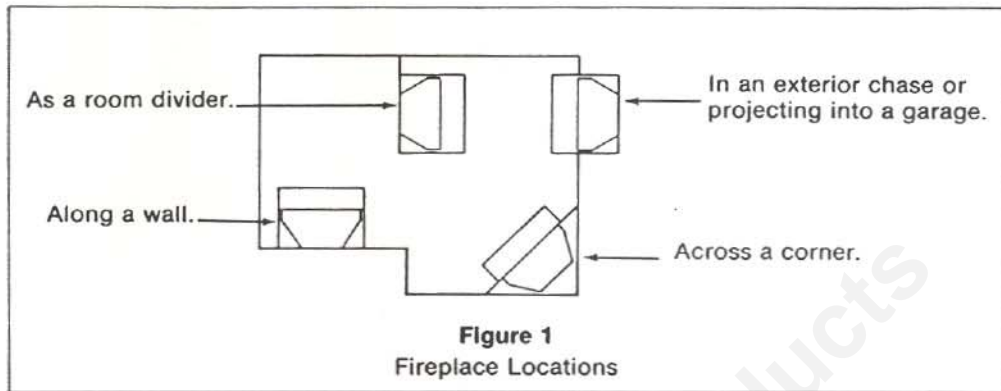
CHASE TOP



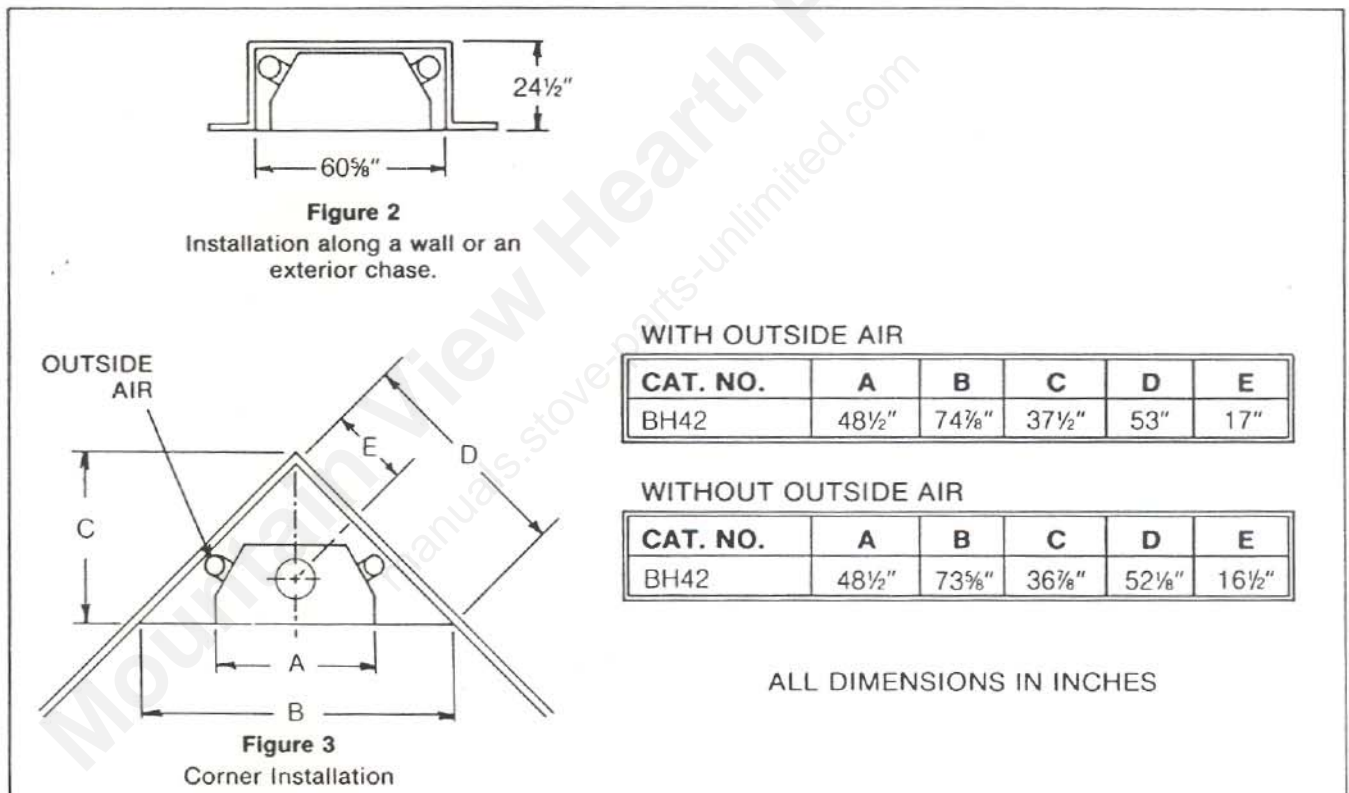
CT56

III. FIREPLACE LOCATIONS, SPACE AND CONSTRUCTION REQUIREMENTS

The fireplace may be located as shown in Figure 1.



Figures 2 and 3 show installations assuming outside air ducts with allowance for making 90° bends. Less space is required when ducting goes directly outside without forming elbows.



WARNING

WHEN LOCATING THE FIREPLACE IN A SPACE PROJECTING INTO A GARAGE, THE OUTSIDE AIR MUST NOT BE TAKEN FROM THE GARAGE SPACE. EXHAUST PRODUCTS OF GASOLINE ENGINES ARE HAZARDOUS.

DO NOT INSTALL OUTSIDE AIR DUCTS SUCH THAT THE AIR MAY BE DRAWN FROM ATTIC SPACES, BASEMENTS, OR ABOVE THE ROOFING WHERE OTHER HEATING APPLIANCES OR FANS AND CHIMNEYS EXHAUST OR UTILIZE AIR. THESE PRECAUTIONS WILL REDUCE THE POSSIBILITY FOR SMOKING OR FLOW REVERSAL.

Figure 4 shows the framing of the BH42, assuming combustible materials are used. The vertical framing must extend from floor to ceiling, with no horizontal members projecting from front to back above the fireplace, except at the ceiling level. Chimney sections above the ceiling level require a minimum air space of two inches to the enclosure, including any framing, for the total chimney height.

WARNING

TO PREVENT CONTACT WITH SAGGING OR LOOSE INSULATION, THE FIREPLACE MUST NOT BE INSTALLED AGAINST VAPOR BARRIERS OR EXPOSED INSULATION. LOCALIZED OVERHEATING COULD OCCUR AND A FIRE COULD RESULT.

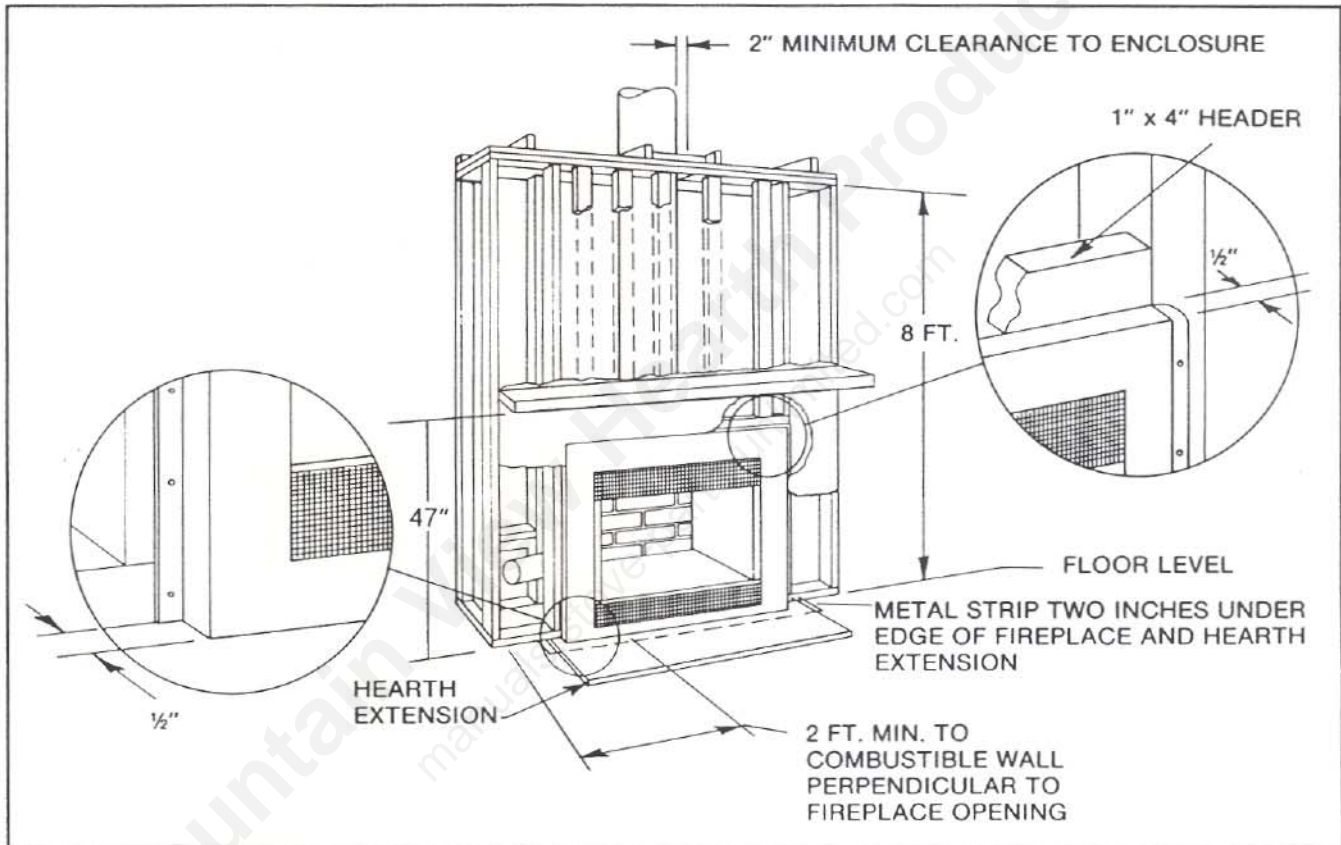


Figure 4
Framing the Fireplace

After completing the framing and after applying the facing material over the framing, a non-combustible sealant, one-half inch wide maximum, must be used to close off any gaps at the top and sides between the fireplace and facing, to prevent cold air leaks. A mantel of combustible material may be constructed a minimum of 47 inches above the floor.

Non-combustible materials may be used to cover the black non-screened fireplace front, but must not restrict air flow from the front of the unit in any manner. The following is a description of materials used in these instructions:

Combustible Material. Material made of or surfaced with wood, compressed paper, plant fibers, plastics, or other material that will ignite and burn, whether flameproofed or not, or whether plastered or unplastered.

Non-combustible Material. Material which will not ignite and burn, such materials consisting entirely of steel, iron, brick, tile, concrete, slate, asbestos, glass or plasters, or combination thereof.

Non-combustible Seal Material. General Electric RTV103 (Black), or equivalent. Rutland, Inc. Fireplace Mortar #63, or equivalent.

WARNING

DO NOT APPLY FINISH MATERIALS OVER THE SCREENED FACE OF THESE FIREPLACES. THIS WILL BLOCK THE FLOW OF COOLING AIR AND MAY CAUSE DANGEROUSLY HIGH TEMPERATURES ON COMBUSTIBLE SURFACES OR ON THE FIREPLACE ITSELF.

The use of factory-built Hearth Extensions is shown in Figure 5. These may be covered with a non-combustible decorative material with a maximum thickness of 1/4 inch. Seal gaps with non-combustible (sand-cement) grout.

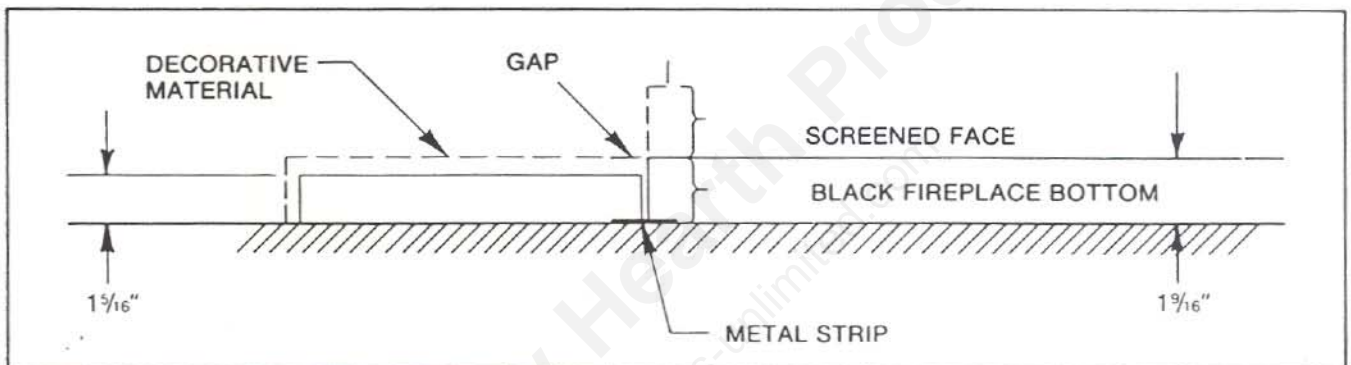


Figure 5
Factory-Built Hearth Extension

Field constructed Hearth Extensions may be used, but must be constructed in accordance with the following instructions. A typical construction is shown in Figure 6. In all cases of field construction, the minimum side and front dimensions shown for factory-built Hearth Extensions must be used, and gaps must be sealed with non-combustible (sand-cement) grout.

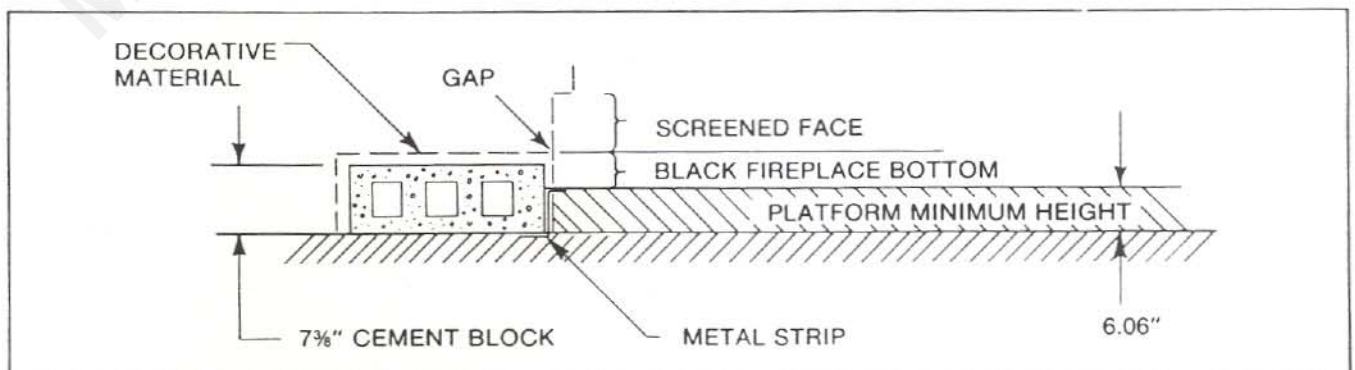


Figure 6
Field Constructed Hearth Extension

A second alternative to the cement block construction shown in Figure 6 is as follows:

1. One course common brick on edge - top layer.
2. 3/8" minimum millboard - middle.
3. Standard combustible construction - base.

Both Figure 6, and the above construction require that the fireplace be raised on a platform. A metal strip must be used between the fireplace and the field constructed Hearth Extensions. Depending on that construction, a special () shape may be needed. Each horizontal leg must be 2" wide and the length must be at least equal to the length of the Metal Strip provided with each fireplace. The fireplace must rest on a continuous, level surface.

WARNING

HEARTH EXTENSIONS ARE TO BE INSTALLED ONLY AS ILLUSTRATED TO PREVENT HIGH TEMPERATURES FROM OCCURRING ON CONCEALED COMBUSTIBLE MATERIALS. METAL STRIPS PREVENT BURNING OR HOT PARTICLES FROM INADVERTENTLY FALLING DIRECTLY ON COMBUSTIBLE SURFACES IN THE EVENT THE BUILDING SHOULD SETTLE AND DISTURB THE ORIGINAL CONSTRUCTION.

When planning your fireplace location, the chimney construction and necessary clearance must be considered. Figure 7 illustrates a typical one floor with attic space installation in which joists and rafters may require modification. The fireplace system and chimney components have been tested to provide the following flexibility in construction.

Minimum straight height	13 ft.
Minimum height with Offset/Return	14 ft.
Maximum height	90 ft.
Maximum chimney length between an Offset/Return	8 ft.
Maximum distance between Chimney Stabilizers	25 ft.
Double Offset/Return minimum height	24 ft.
Maximum unsupported chimney length between Offset/Return	6 ft.

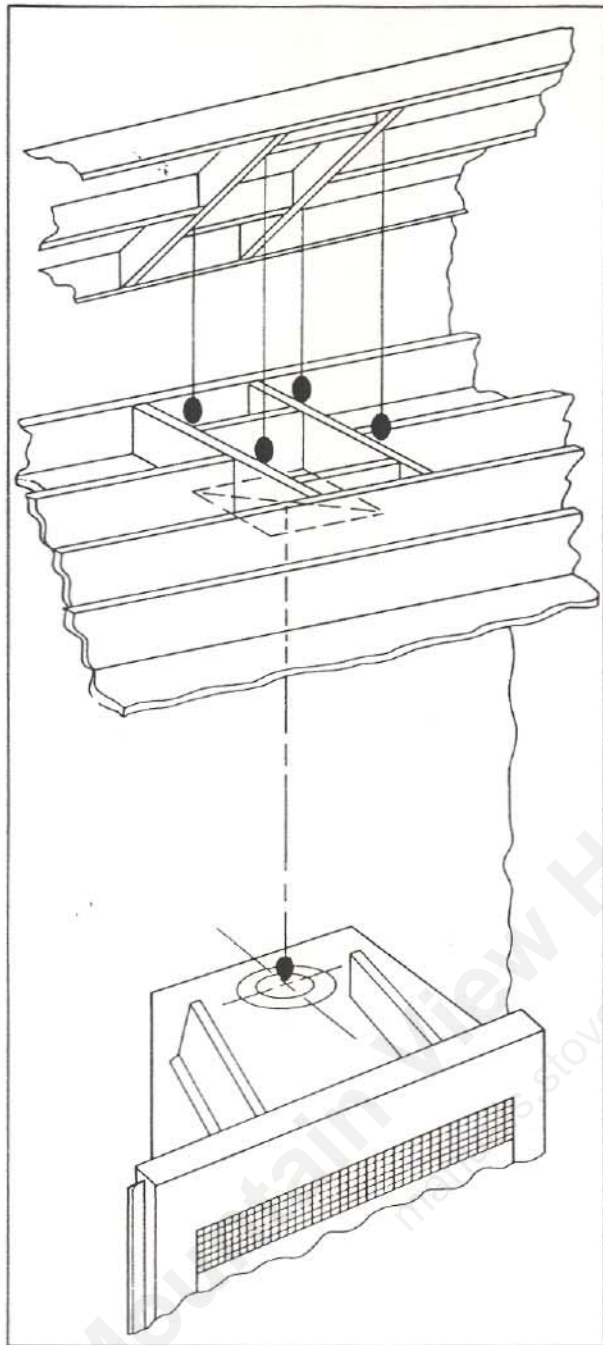


Figure 7
Ceiling and Attic Construction

Joint Bands must be used at every joint between an Offset and Return.

If outside combustion air is used, Figure 8 illustrates only two of many possible locations, a basement fireplace with a maximum of ten feet of vertical height and a direct exit from the fireplace side.

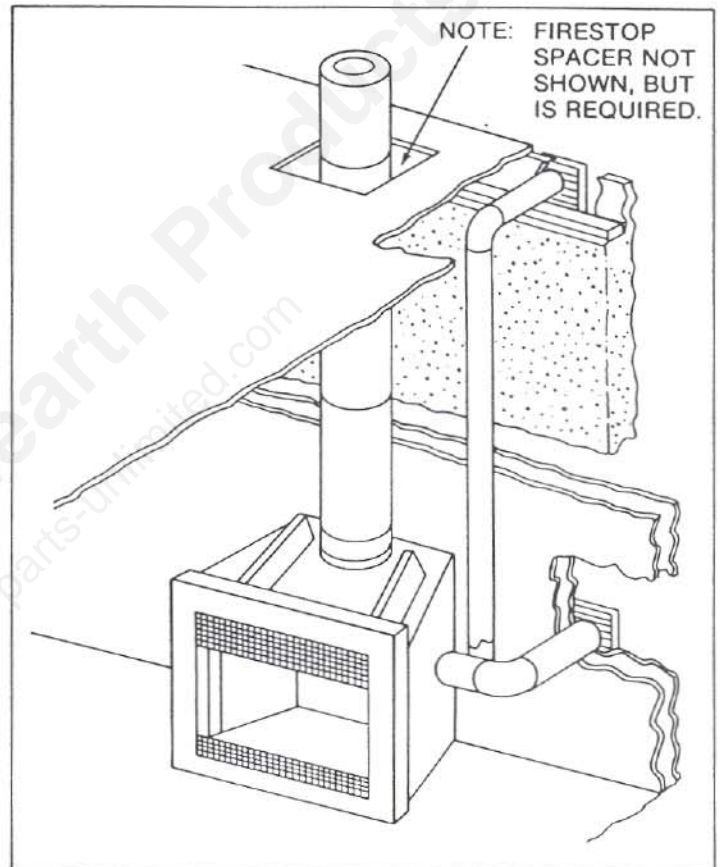


Figure 8
Outside Air Locations

Major building codes specify minimum chimney height above the roof top. These specifications are summarized in what is known as the "Ten Foot Rule." This rule states:

1. If the horizontal distance from the side of the chimney to the peak of the roof is ten feet or less, the top of the chimney must be at least 2 feet above the peak of the roof but never less than 3 feet in height above the highest point where it passes through the roof. See Figure 9.
2. If the horizontal distance from the side of the chimney to the peak of the roof is more than 10 feet, a chimney height reference point is established on the surface of the roof a distance of 10 feet from the center of the chimney in a horizontal plane. The top of the chimney must be at least 2 feet above this reference point, but never less than 3 feet in height above the highest point where it passes through the roof. See Figure 10.

These chimney heights are necessary in the interest of safety and do not assure smoke-free operation. Trees, buildings, adjoining roof lines, adverse wind conditions, etc., may require a taller chimney should smoking exist.

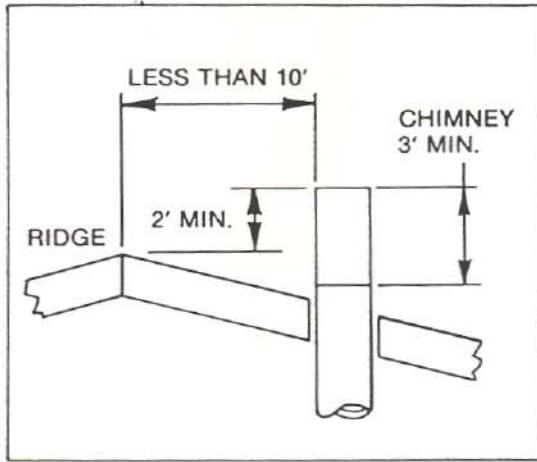


Figure 9
Chimney Height

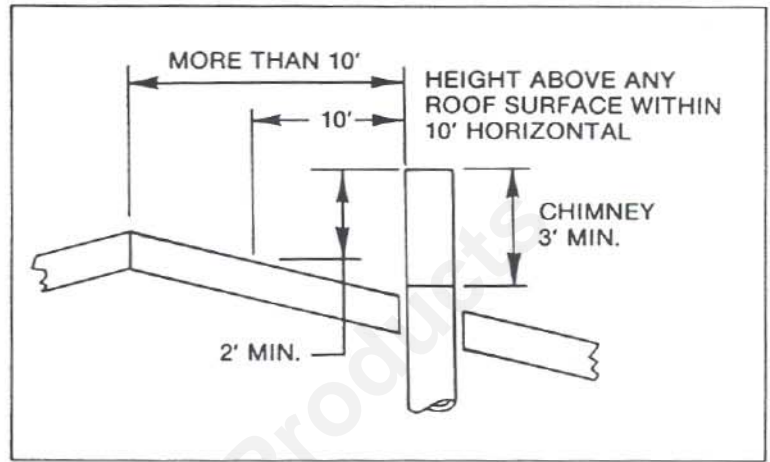


Figure 10
Chimney Height

SELECTING THE CHIMNEY COMPONENTS

Figure 11 and Table 1 enable selection of the appropriate chimney components when using offsets and returns.

1. Determine amount of offset required to extend chimney through wall or around obstacle. See Figure 11, dimension "A".

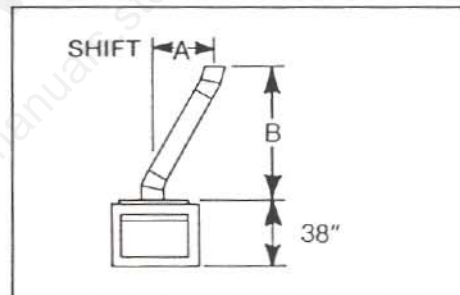


Figure 11
Chimney Offset/Return

2. Refer to 30° offset chart below and find the "A" dimension closest to but not less than the amount of offset required in your installation.

WARNING

DO NOT COMBINE OFFSETS TO INCREASE SHIFT DISTANCE BY USING (2) 30° ELBOWS TOGETHER AS AN EXAMPLE. THIS MAY CREATE A FIRE HAZARD SINCE THE NATURAL DRAFT MAY BE RESTRICTED.

3. Find the "B" dimension on the chart and determine if it is compatible for your installation.
4. Read across the chart and find the number of chimney sections required.
5. Refer to step-by-step installation instructions following the chart.
6. All spaces between chimneys and the habitable areas between floor and ceiling must be firestopped.

TABLE 1
30° Offset Chart (Dimensions in Inches)

A	B	AC506	AC512	AC536	AC548	JB577
6 ¹ / ₁₆	21 ¹⁵ / ₃₂	1	—	—	—	2
9 ¹ / ₁₆	26 ² / ₃₂	—	1	—	—	2
12 ¹ / ₁₆	30 ⁴⁹ / ₆₄	1	1	—	—	3
15 ¹ / ₁₆	35 ³ / ₃₂	—	2	—	—	3
17 ²⁹ / ₆₄	40 ⁵ / ₆₄	1	2	—	—	4
21 ¹ / ₁₆	47 ⁷ / ₁₆	—	—	1	—	2
24 ¹ / ₁₆	51 ³⁵ / ₆₄	1	—	1	—	3
27 ¹ / ₁₆	57 ⁵³ / ₆₄	—	—	—	1	2
30 ¹ / ₁₆	61 ⁶ / ₆₄	1	—	—	1	3
33 ¹ / ₁₆	67 ⁵ / ₃₂	—	1	—	1	3
35 ²⁹ / ₆₄	71 ¹ / ₄	1	1	—	1	4
38 ²⁹ / ₆₄	76 ¹⁵ / ₃₂	—	2	—	1	4
40 ⁵³ / ₆₄	80 ⁹ / ₁₆	1	2	—	1	5
45 ¹ / ₁₆	87 ⁵⁹ / ₆₄	—	—	1	1	3
47 ²⁹ / ₆₄	92 ¹ / ₃₂	1	—	1	1	4
51 ¹ / ₁₆	98 ⁵ / ₁₆	—	—	—	2	3

IV. STEP-BY-STEP INSTALLATION OF THE FIREPLACE SYSTEM

WARNING

BEFORE STARTING, DO THE FOLLOWING:

1. WEAR GLOVES AND SAFETY GLASSES FOR PROTECTION.
2. KEEP HAND TOOLS IN GOOD CONDITION. SHARPEN CUTTING EDGES AND MAKE SURE TOOL HANDLES ARE SECURE.
3. ALWAYS MAINTAIN THE MINIMUM AIR SPACE REQUIRED TO THE ENCLOSURE TO PREVENT FIRE.

STEP 1

Position fireplace, level with shims, and secure fireplace by utilizing nailing flanges located on either side of fireplace front.

STEP 2

Slide metal strip two inches under front edge of fireplace. See Figure 4.

STEP 3

Locate the AC542 Transition Section on the top of the fireplace and secure using (4) #10 x 1/2 screws provided in the fastener pack.

WARNING

FOLLOW THE INSTRUCTIONS FOR ASSEMBLY OF THE PIPE AND OTHER PARTS, WHICH ARE PACKED WITH EVERY PIPE SECTION AND ALL OTHER COMPONENTS NEEDED TO INSTALL THIS FIREPLACE SYSTEM. FAILURE TO DO SO MAY RESULT IN A FIRE, ESPECIALLY IF COMBUSTIBLES ARE TOO CLOSE TO THE FIREPLACE OR CHIMNEY AND AIR SPACES ARE BLOCKED PREVENTING THE FREE MOVEMENT OF COOLING AIR.

STEP 4

In accordance with the Installation Instructions packaged with the Firestop Spacer you have chosen, mark and cut the opening in the ceiling. Frame the opening with the same size lumber used in the ceiling joists. See Chapter 25 of the Uniform Building code for general construction requirements when "Framing Around Openings."

STEP 5

Install the Firestop Spacer FS538 (Straight), or FS540 (30° Offset, if Offset is located in the ceiling joist area). These Firestop Spacers are designed to provide the minimum two inch air space around the chimney. In all situations, the Firestops are to be nailed to the ceiling joists from the bottom or fireplace side, EXCEPT, when the space above the ceiling is an attic space. In this situation, the Firestop must be nailed from the attic side to ensure against loose or later blow-in-type insulation from falling into the required two inch air space around the chimney. Firestop Spacers must be used at all ceiling levels where the chimney penetrates a living space.

STEP 6

Continue assembling chimney sections up through the Firestop Spacers as needed. Check height and unsupported chimney length limitations described earlier.

The maximum straight unsupported height is 25 feet above the firebox and between Chimney Stabilizers. CB576 Chimney Brackets may be substituted for the SZ5 Chimney Stabilizers.

□ STEP 7

When Offset/Returns are joined to straight pipe sections, they must be locked in position with the size 10 sheet metal screws provided, using the predrilled holes. Offset/Returns and Chimney Stabilizers have straps for securing these parts to joists or rafters. Chimney Strapping, SZ810, is available or may be locally purchased and used in conjunction with Joint Bands to secure the chimney. Chimney Brackets may be used to stabilize the chimney. See Figures 12 and 13.

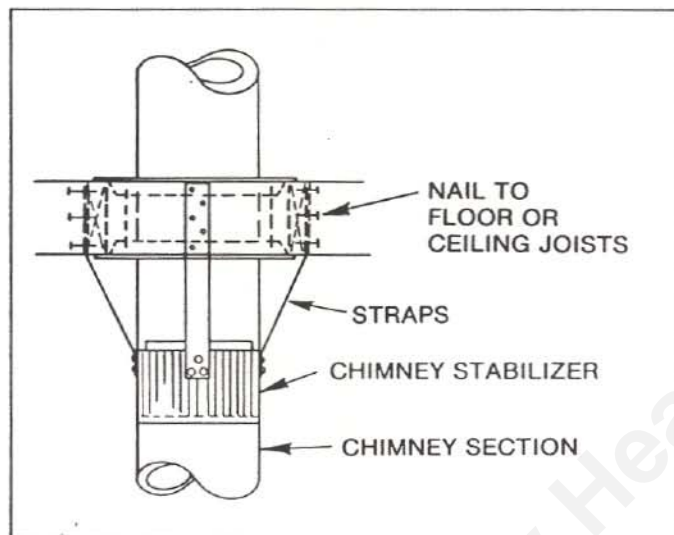


Figure 12
Chimney with Stabilizer

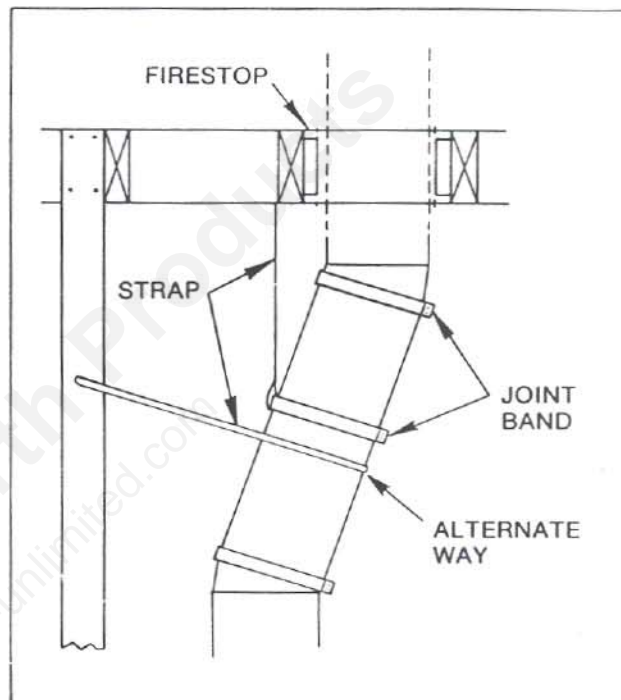


Figure 13
Offset/Return Installation

WARNING

CHIMNEY SECTIONS EXCEEDING 6 FEET (TWO 3 FOOT SECTIONS) WHEN USED WITH AN OFFSET/RETURN, MUST HAVE STRUCTURAL SUPPORT TO REDUCE OFF-CENTER LOADING AND PREVENT CHIMNEY SECTIONS FROM COMING APART AT SEAMS OR JOINTS.

□ STEP 8

Locate the point where the chimney will exit the roof by plumbing down to the center of the chimney. Drive a nail through the roof to mark the center.

STEP 9

Measure to either side of the nail and mark the 17" x 17" opening required. This 17" x 17" is measured on the horizontal; actual length may be larger depending on the pitch of the roof. Cut out and frame the opening. See Chapter 25 of the Uniform Building Code for Roof Framing details.

STEP 10

Install the Roof Flashing appropriate to the roof pitch. Assemble the Storm Collar to protect against rain entering around the outside of the chimney, and add the Chimney Terminal Cap. The Terminal Cap must be one of the following: RT574 (Round), ST575 (Square), and either Simulated Brick Termination, RB48 (Red) or TB48 (Tan).

NOTICE

DETAIL INSTRUCTIONS FOR SEALING AND NAILING FLASHINGS, STORM COLLARS, AND SECURING TERMINATIONS ARE FOUND PACKAGED WITH THESE PARTS. THE INSTRUCTIONS MUST BE FOLLOWED TO ENSURE AGAINST THE EFFECTS OF METAL CORROSION. IN ADDITION YOU WILL PROTECT THOSE PARTS MOST EXPOSED, SUCH AS CHIMNEY SECTIONS ABOVE THE ROOF LINE AS WELL AS ROOF FLASHINGS, BY FIRST WASHING THEM WITH A SOLVENT OR VINEGAR; AND THEN PAINTING WITH A RUST RESISTANT PAINT.

STEP 11

Frame the fireplace enclosure, allowing space for outside air ducts and gas piping if desired. Care must be taken with any electrical wiring to avoid exposure to high temperatures or mechanical damage to wire insulation.

STEP 12

Knockouts are provided on the right hand side of the fireplace for connection to a decorative gas appliance only, in accordance with the National Fuel Code, ANSI Z223.1-1980. The side refractory must allow 1/2" iron pipe to pass through. Use a non-combustible sealant to seal any opening between the gas pipe and refractory on the inside. Repack the insulation removed, to seal around the gas pipe where it exits the side of the fireplace.

CAUTION

- 1. WHEN USING THE DECORATIVE APPLIANCE, THE FIREPLACE DAMPER MUST BE SET IN FULLY OPEN POSITION.**
- 2. A FULLY OPEN DAMPER ENSURES PROPER VENTING OF COMBUSTION PRODUCTS.**

STEP 13

IF CATALOG NUMBER BH42 WAS PURCHASED:

Install Outside Air if desired or required by local code, using Instructions supplied with the AK42-A Air Kit.

IF CATALOG NUMBER BH42C WAS PURCHASED:

Mark and cut out the location selected on the building for air entry. Apply caulking and/or insulation to the building side of the Flange & Tube, and fasten it to the building.

Assemble the Flexible Duct between the Duct Connector and the Flange & Tube. Secure it in position with Clamp Bands from the Fastener Package.

NOTE: If Insulated Duct for Outside Air, Catalog Number ID4, is used, the studs will compress the side of the Insulated Duct about 3/4 inch. Insulated or Uninsulated Duct, UD4, must be ordered separately.

NOTE: See Installation Instructions packed with Air Kit if non-combustible facing over the non-screened area of the fireplace is used.

CAUTION

SIGNIFICANT COLD AIR MAY INFILTRATE THROUGH THE DUCT OR OTHER PARTS OF THIS SYSTEM. TO GUARD AGAINST THIS, CHECK FOR LIGHT LEAKS WITH A FLASHLIGHT AND SEAL THESE WITH DUCT TAPE AND/OR INSULATION. CONNECTOR INSULATION SHOULD BE FORMED AROUND THE TUBE AND FIREPLACE WALL TO SEAL ANY GAPS.

Check operation by turning the Control Knob clockwise to the full closed position and counterclockwise to open - about one quarter turn. The Lock Knob may be used to hold the Damper Blade in any position by turning it clockwise until it bears against the front of the fireplace. The Damper Blade insulated face should bear against the bead in the duct.

□ STEP 14

IF CATALOG NUMBER BH42 WAS PURCHASED:

Install Fan if desired, using Instructions supplied with the FK42 Fan Kit. See NOTE below.

IF CATALOG NUMBER BH42B WAS PURCHASED:

You must complete the assembly by first removing the Junction Box Covers attached to each end of the Cover Plate. These separate Covers allow electrical connections to be made and/or inspected without removing the Cover Plate. Remove the 1/4" diameter Electrical Knockouts on each side of the Outer Shell. Insert the conduit with Conduit Connector attached through this hole and secure the conduit to the side column with the Conduit Connector lock nut. See Figure 14 and NOTE below.

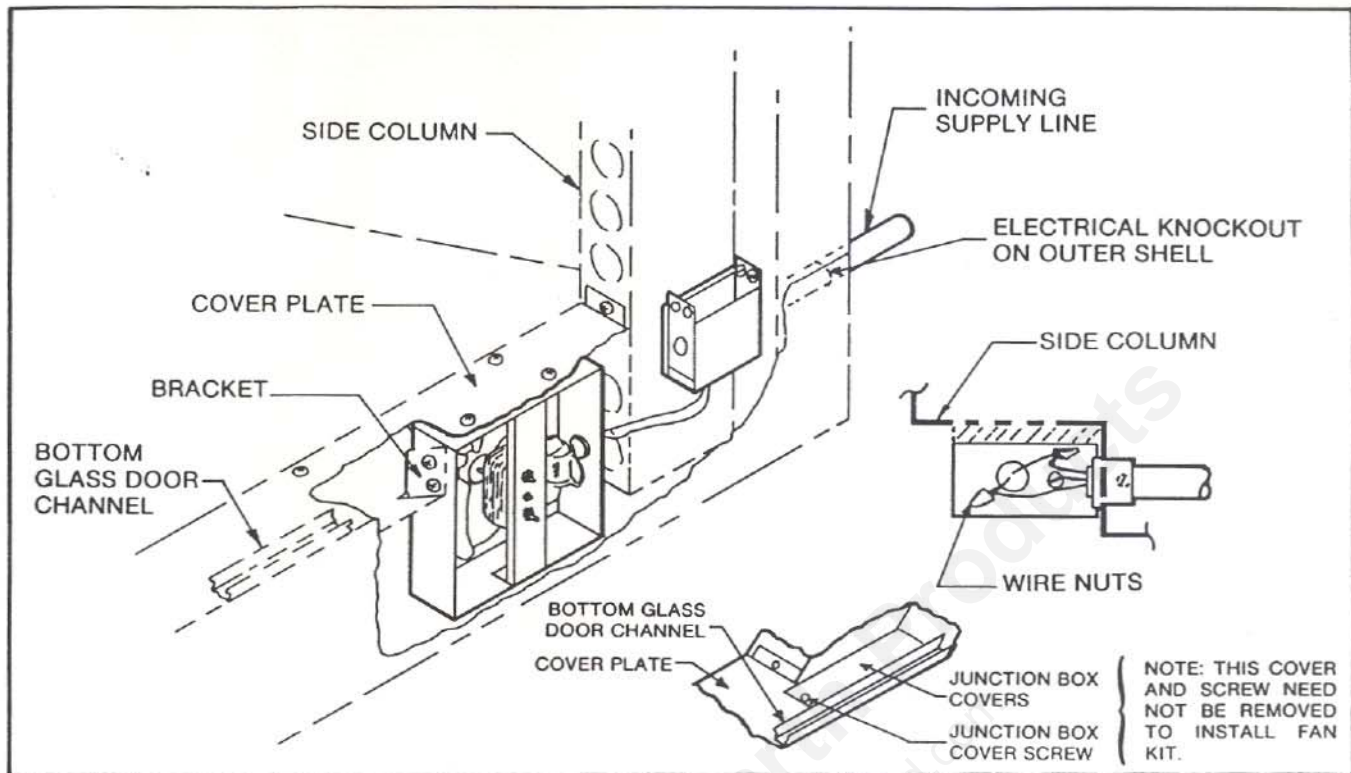
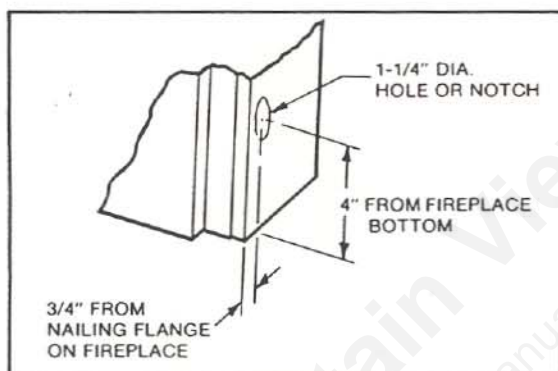


Figure 14
Fan Kit Assembly (Right Side)



ELECTRICAL CONDUIT
CLEARANCE HOLE

NOTE: The studding on either side of the fireplace must be notched or drilled to allow for the passage of the electrical conduit into the Junction Box. It is recommended that this hole or notch be provided prior to nailing adjacent studs in position, to allow sufficient free work space.

WARNING

DISCONNECT POWER BEFORE STRIPPING OR JOINING ANY SUPPLY WIRES. ONLY PERSONS QUALIFIED FOR MAKING ELECTRICAL INSTALLATIONS AS RECOGNIZED BY LOCAL OR NATIONAL GOVERNMENTAL BODIES (ELECTRICIANS) SHOULD ATTEMPT TO MAKE THE INCOMING SUPPLY WIRE CONNECTIONS.

EDGES ARE SHARP. HAND PROTECTION IS RECOMMENDED. RECHECK ALL FASTENERS BEFORE LEAVING JOB.

Bring supply wires to inside of Junction Box. Attach green ground connector securely to green headed screw and connect supply wires to motor lead wires using wire nuts provided in the Fastener Package. Check all electrical connections and replace Junction Box Covers.

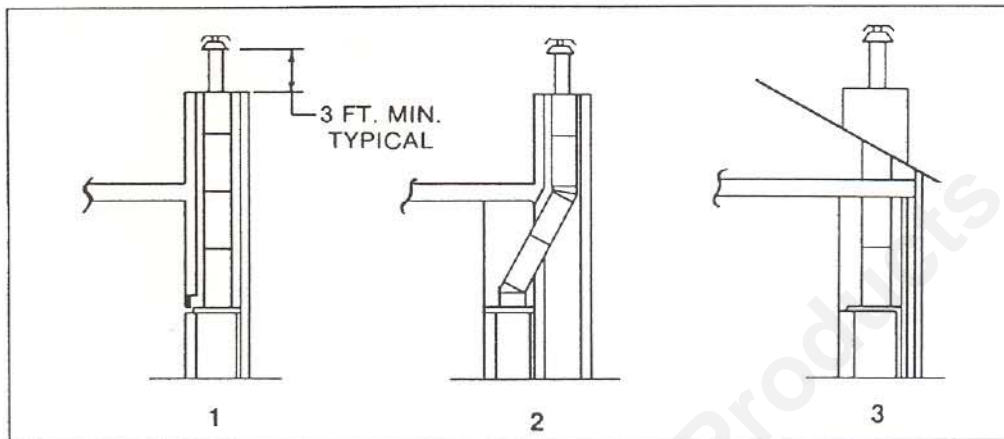
- STEP 15**
Install Glass Doors if desired, using Instructions supplied with these optional accessories. Protect Glass Doors from breakage by temporarily removing them until all construction is complete.
- STEP 16**
Position Hearth Extension over metal protective strips which should project about two inches in front of the fireplace bottom front. See Figure 4. Seal crack between Hearth Extension and fireplace with a non-combustible, sand and cement grout.
- STEP 17**
Apply finish materials of your choice. Do not install combustible materials over black face of fireplace or screened openings. You may use non-combustible material over the black - non-screened face of the fireplace.
- STEP 18**
This fireplace is equipped with a factory installed Grate. In the event it becomes necessary to replace it, remove the pins from both ends of the back horizontal bar, using a vise grip to pull them free. Slide the Grate to one side so the opposite end clears the hub. Your new Grate will be supplied with new pins. Remove these pins and slide the Grate into the hubs located in each side of the firebox (one side at a time), and replace the pins on both ends of the Grate bar.

WARNING

DO NOT PACK REQUIRED AIR SPACES WITH INSULATION OR OTHER MATERIALS. THIS PREVENTS THE NATURAL CONVECTION COOLING WHICH MUST TAKE PLACE. THE REQUIRED CLEARANCES ARE TO THE ENCLOSURE AND SHOULD NOT BE REDUCED BY THE ADDITION OF OTHER MATERIALS WHETHER OF NON-COMBUSTIBLE OR COMBUSTIBLE MATERIAL. COMBUSTIBLE MATERIALS AS WELL AS THE NON-COMBUSTIBLE MATERIALS USED IN THE FIREPLACE MAY HAVE THEIR USEFUL LIFE REDUCED.

V. CONSTRUCTING A CHASE

The chase may be constructed for the fireplace and chimney or for the chimney only. A chase is an enclosure built around the system. It is most commonly constructed on an outside wall as shown below.



Three examples of chase applications are shown here:

1. Fireplace and chimney enclosed in chase - exterior.
2. Chimney offset through exterior wall and enclosed in chase.
3. Chase constructed on roof.

MATERIALS FOR CHASE

The chase is constructed much the same as the walls in your home. A variety of materials may be used including brick, stone, veneer brick, or standard siding materials.

In constructing the chase, several factors must be considered.

1. Maintain 2" clearance from the chimney to combustibles.
2. Chase top must be constructed of a non-combustible material.
3. Walls of chase must be insulated to prevent heat leaking from the home around and through the fireplace.

TO INSTALL TERMINAL CAP ON CHASE - ENCLOSED CHIMNEY

1. Construct chase of desired materials maintaining a 2" air space to combustible materials.

WARNING

NEVER INSTALL A SINGLE WALL SLIP SECTION OR SMOKE-PIPE IN A CHASE STRUCTURE. THE HIGHER TEMPERATURE OF THIS SINGLE WALL PIPE MAY RADIATE SUFFICIENT HEAT TO COMBUSTIBLE CHASE CONSTRUCTION MATERIALS TO CAUSE A FIRE.

2. Install the chimney sections up through the chase. Last section of pipe must extend at least three feet above the chase top to allow installation of storm collar and round terminal cap. See separate Installation Instructions for square terminal cap.
3. Attach the CT56 Chase Top to the top of the chase according to the Installation Instructions packaged with the chase top.
4. Loosen bolt on storm collar and slide down over pipe to chase top. Tighten bolt and seal around collar.
5. Attach and secure either round or square terminal cap.

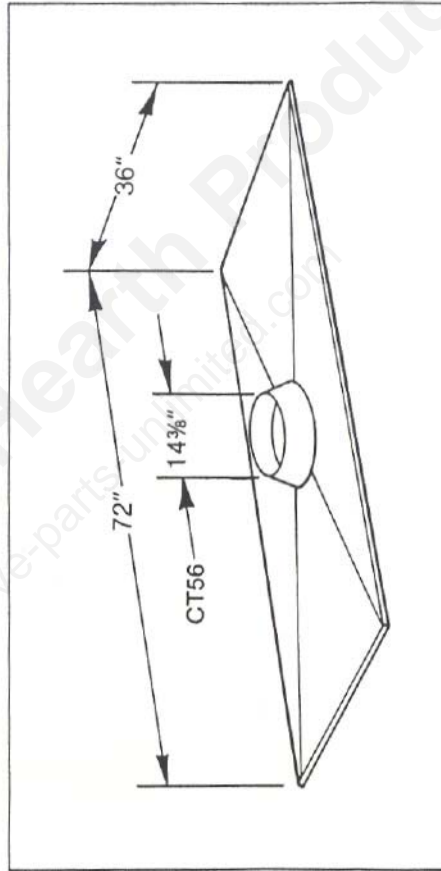


Figure 15

Mountain View Hearth Products
manuals.stove-parts-unlimited.com

HEATILATOR® FIREPLACE LIMITED WARRANTY

DESIGNATION OF WARRANTOR. This Limited Warranty is extended by Heatilator Inc., Division, HON INDUSTRIES, (hereinafter referred to as Heatilator), with respect to the HEATILATOR fireplace systems as described herein, while in its location of original installation.

PRODUCT. This HEATILATOR fireplace system (hereinafter sometimes referred to as the "System") is comprised of the fireplace proper (the firebox including refractory), chimney system, roof termination and grate, and also includes optional components of glass panel doors, heat circulation ducts, fans, and an outside combustion air system where applicable. Except where specifically excluded from coverage hereunder, this Limited Warranty covers all of the components and optional components designated. See **EXCLUSIONS AND QUALIFICATIONS** below, for further information on product coverage.

WARRANTY. The HEATILATOR fireplace system is warranted to be free from defects in materials and workmanship at the time of manufacture. The System, when comprised of defect-free components and optional components, if any, as described in the above paragraph, is further warranted to provide smoke-free operation for a period of twenty (20) years from the date of installation.

This Limited Warranty extends only to those HEATILATOR fireplace systems installed in the United States of America or the Dominion of Canada.

WHAT HEATILATOR WILL DO IN THE EVENT OF A DEFECT. If this HEATILATOR fireplace system is found to be defective in material or workmanship (see Heatilator's right of investigation outlined below), Heatilator will repair or replace such defects in the HEATILATOR fireplace system, at Heatilator's option, according to the following schedule:

- (1) During the first year of the Limited Warranty, Heatilator will provide replacement or repair parts for all components and optional components of the System at no charge, and also will pay for reasonable labor costs for repair work.
- (2) During the second through fifth years of the Limited Warranty, Heatilator will provide replacement or repair parts at no charge, for the components and optional components of the System, EXCEPT the grate, wire-mesh screen and the glass in the glass doors. Heatilator will assume no responsibility for any freight charges or labor costs.
- (3) During the sixth through twentieth years of the Limited Warranty, Heatilator will provide replacement or repair parts (if available) for the components and optional components of the System, EXCEPT the grate, refractory, fans, wire-mesh screen and the glass in the glass doors, at 50% of its then current published retail price. All freight charges and labor costs will be the responsibility of the customer.

EXCLUSIONS AND QUALIFICATIONS.

This Limited Warranty is subject to the following exclusions and qualifications:

- (1) This Limited Warranty does not apply to, and Heatilator assumes no responsibility for, any damages that result due to installation or operation not in accordance with both the Installation Instructions and the Operating Instructions furnished, chimney fires due to a lack of adequate cleaning (refer to Operating Instructions), or roof stains caused by creosote.
- (2) The HEATILATOR fireplace system must be subjected to normal use as explained in the Operating Instructions and the Underwriters Laboratories label located in the firebox, including burning only natural wood. Fuel products with abnormal burning characteristics, including synthetic fuels (e.g. synthetic logs, wood treated with flammable liquid, logs made from pressed wood), burn at excessive temperatures which may cause the System to function improperly. Flammable liquid fuels are explosive and never should be used to start the fire. Heatilator does not warrant the structural or functional performance of the System when such fuels as mentioned or described herein have been used.
- (3) Fires in the fireplace (the firebox) must be built on a grate equivalent to the integral grate originally supplied with the firebox.
- (4) This Limited Warranty applies only if adequate ventilation is provided to allow proper draft to the fireplace. Heatilator assumes no responsibility for improper performance of the System caused by inadequate draft due

to environmental conditions (e.g. wind currents), tight-sealing construction, or mechanical devices (e.g. air conditioning, exhaust fans), any or all of which may cause a negative air pressure within the structure where the fireplace is installed.

- (5) This Limited Warranty applies only to the components and optional components of the System manufactured or specifically approved by Heatilator, and Heatilator expressly excludes any liability hereunder for defects or damage caused by the installation or use of any such unauthorized or unapproved component or optional component. Heatilator further assumes no liability for defects or damage caused by the use or installation of any fireplace insert, auxiliary heat device, or other modification not expressly authorized and approved by Heatilator. Unauthorized components, optional components, or modifications could create a fire hazard by altering the safety design of the fireplace.
- (6) Labor costs to be borne by Heatilator pursuant to this Limited Warranty must be approved by Heatilator and must not exceed the retail price of replacement parts.
- (7) This Limited Warranty shall be void if the System is at any time or has been removed from the place in which it was originally installed.

LIMITATION OF LIABILITY.

IT IS EXPRESSLY AGREED AND UNDERSTOOD THAT HEATILATOR'S OBLIGATION AND PURCHASER'S EXCLUSIVE REMEDY UNDER THIS WARRANTY, UNDER ANY OTHER WARRANTY, EXPRESS OR IMPLIED (INCLUDING MERCHANTABILITY), OR OTHERWISE, SHALL BE LIMITED TO REPLACEMENT OR REPAIR OF ONLY HEATILATOR® BRAND COMPONENTS AND OPTIONAL COMPONENTS AS ABOVE SPECIFIED.

THE DURATION OF ANY IMPLIED WARRANTY APPLICABLE TO THIS HEATILATOR® FIREPLACE SYSTEM IS LIMITED TO THE DURATION OF THE FOREGOING WARRANTY. SOME STATES DO NOT ALLOW LIMITATIONS ON HOW LONG AN IMPLIED WARRANTY LASTS SO THE ABOVE LIMITATION MAY NOT APPLY TO YOU.

IN NO EVENT SHALL HEATILATOR BE RESPONSIBLE FOR ANY INCIDENTAL OR CONSEQUENTIAL DAMAGES CAUSED BY DEFECTS IN THE HEATILATOR® FIREPLACE SYSTEM. WHETHER SUCH DAMAGE OCCURS OR IS DISCOVERED BEFORE OR AFTER REPLACEMENT OR REPAIR, AND WHETHER OR NOT SUCH DAMAGE IS CAUSED BY HEATILATOR'S NEGLIGENCE.

SOME STATES DO NOT ALLOW THE EXCLUSION OR LIMITATION OF INCIDENTAL OR CONSEQUENTIAL DAMAGES, SO THE ABOVE LIMITATION OR EXCLUSION MAY NOT APPLY TO YOU.

BUILDING CODES. Since building code requirements vary greatly throughout the United States and Canada, users of this System should determine in advance whether there are any building code restrictions on the installation or use of this System. Heatilator makes no representation or warranty regarding building code compliance and shall not be responsible for compliance therewith.

HEATILATOR NOT RESPONSIBLE FOR WORK DONE WITHOUT WRITTEN CONSENT. Heatilator shall in no event be responsible for any Warranty work done without first obtaining Heatilator's written consent.

DEALERS HAVE NO AUTHORITY TO ALTER THIS WARRANTY. Heatilator's employees and dealers have no authority to make any warranty nor to authorize any remedies in addition to or inconsistent with those stated above.

IMPLIED WARRANTY RIGHTS. This Warranty gives you specific legal rights, and you may have other rights which vary from state to state. In the event of a problem with Warranty service or performance, you may be able to go to a small claims court, State court, or a Federal district court.

HOW TO REGISTER A CLAIM AGAINST WARRANTY. In order for any claim under this Limited Warranty to be valid, Heatilator must be notified of the claimed defect in writing to Heatilator Inc., Customer Relations Department, 1915 West Saunders Road, Mt. Pleasant, IA 52641. Heatilator reserves the right to investigate any and all claims against this Warranty.

HEATILATOR is a registered trademark of Heatilator Inc.



Attention **Fireplace Installer:**

*Please return operating
and installation
instructions to the firebox
for consumer use.*

- WARRANTY ENCLOSED -

heatilator[®]
AMERICA'S FIREPLACE SPECIALISTS