

This appliance has been retired.  
Service parts pages within have been removed.  
For replacement parts, please refer to the individual  
service parts list located on the brand websites.

# CL36A & CR36A INSTALLATION & OPERATING INSTRUCTIONS FOR RESIDENTIAL USE

## I. LISTINGS AND CODE APPROVALS

The CL36A and CR36A fireplace systems have been tested in accordance with Underwriters Laboratories Inc. Standards, and have been LISTED by them for installation and operation as described in these Instructions and in the Operating Instructions accompanying each fireplace.

Fireplace Catalog Numbers CL36A and CR36A have been tested and LISTED for use with the Optional Components described in Section II of these instructions. These Optional Components may be purchased separately and installed at a later date. However, installation of the Outside Air Kit will require significant reconstruction, and should be installed at the time of initial installation.

Check with your local building code agency before you begin installation to ensure compliance with local codes, including the need for "permits" and follow-up inspections. If any problems are encountered regarding code approvals, or if you wish clarification of any of the instructions contained here, contact: Technical Services, Heatilator Inc., 1915 W. Saunders Street, Mt. Pleasant, Iowa 52641. HEATILATOR<sup>®</sup> is a registered trademark of Heatilator Inc., Division, HON INDUSTRIES.

### WARNING

**THIS HEATILATOR FIREPLACE AND ITS COMPONENTS ARE DESIGNED TO BE INSTALLED AND OPERATED AS A SYSTEM. ANY ALTERATION TO OR SUBSTITUTION FOR ITEMS IN THIS SYSTEM UNLESS ALLOWED BY THESE INSTALLATION INSTRUCTIONS WILL VOID THE UNDERWRITERS LABORATORIES LISTING AND MAY VOID THE PRODUCT WARRANTY. IT MAY ALSO CREATE A HAZARDOUS INSTALLATION. READ THROUGH THESE INSTRUCTIONS THOROUGHLY PRIOR TO STARTING YOUR INSTALLATION AND FOLLOW THEM CAREFULLY THROUGHOUT YOUR PROJECT.**

## II. DESCRIPTION OF THE FIREPLACE SYSTEM

The HEATILATOR<sup>®</sup> fireplace system consists of the following:

1. Fireplace
2. Hearth Extension (2 Required)
3. Chimney System
4. Roof Termination
5. Integral Grate

Optional components include:

1. Glass Doors
2. Outside Combustion Air System
3. Solid Brass Trim Kit

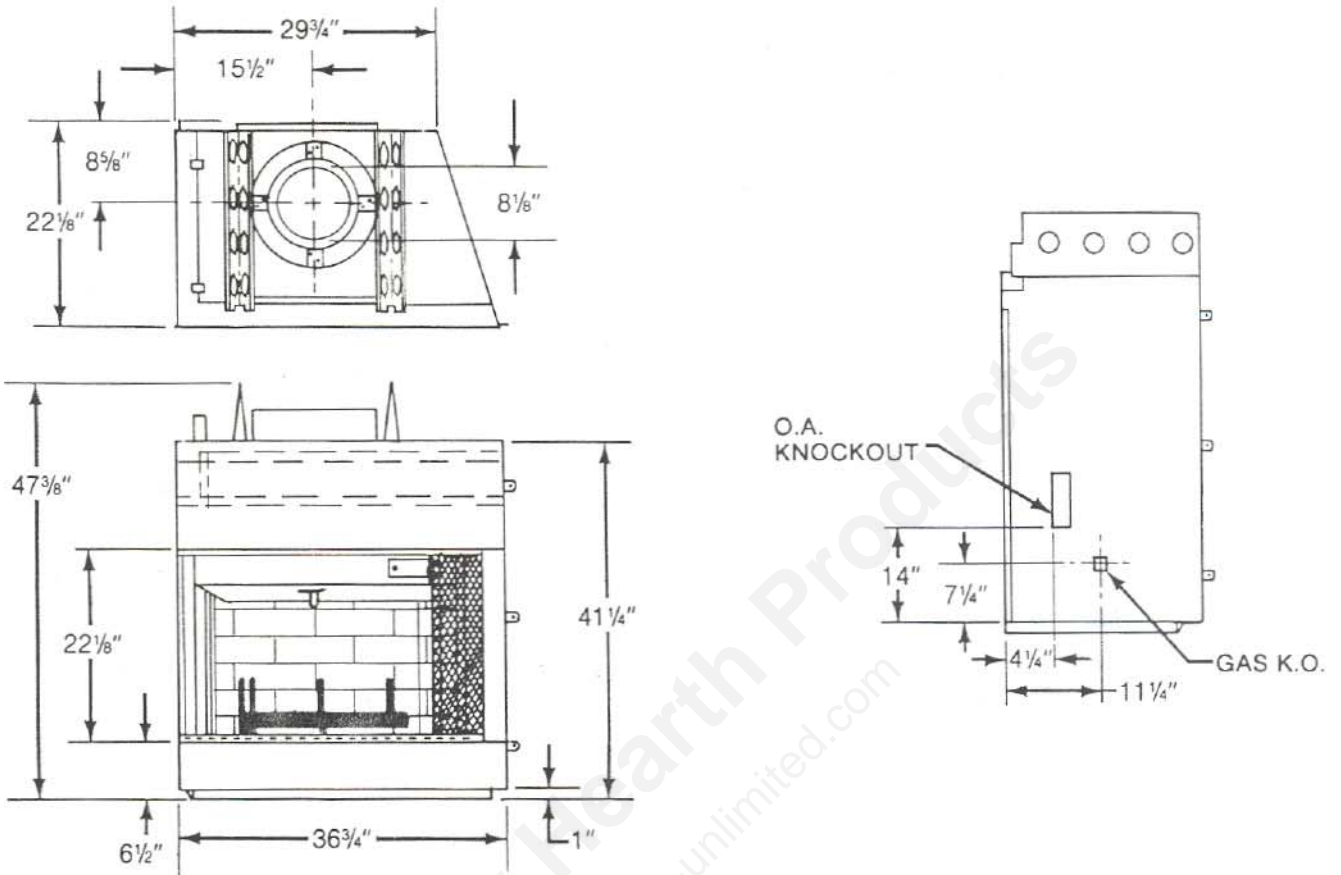
### THE FIREPLACE SYSTEM COMPONENTS

The table below, together with the following pictures, shows only those components which may be safely used with this fireplace.

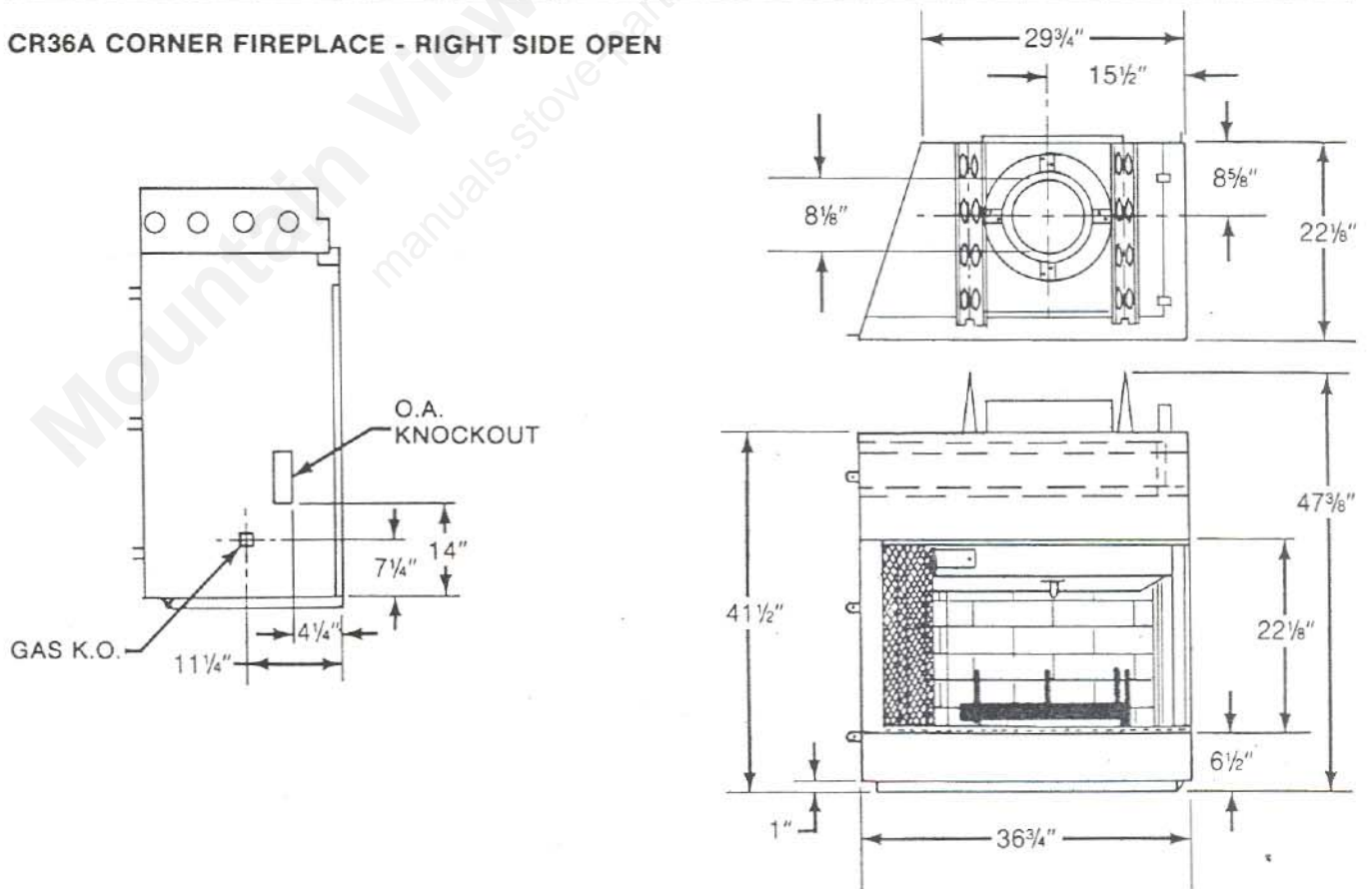
Catalog Number		Description
CL36A		L.H. Corner Fireplace
CR36A		R.H. Corner Fireplace
HX44		Hearth Extension*
GL36A		L.H. Glass Doors - Clear-View, Antique Solid Brass
GL36B		L.H. Glass Doors - Clear-View, Bright Solid Brass
GL36T		L.H. Glass Doors, Tinted - Clear-View, Bright Solid Brass
GD36L		L.H. Glass Doors - Bifold, Antique Solid Brass
GR36A		R.H. Glass Doors - Clear-View, Antique Solid Brass
GR36B		R.H. Glass Doors - Clear-View, Bright Solid Brass
GR36T		R.H. Glass Doors - Tinted - Clear-View, Bright Solid Brass
GD36R		R.H. Glass Doors - Bifold, Antique Solid Brass
GR36LC/GR36LW		L.H. Integral Grate (included with Fireplace)
GR36RC/GR36RW		R.H. Integral Grate (included with Fireplace)
TK12L		L.H. Antique Solid Brass Trim Kit
TK12R		R.H. Antique Solid Brass Trim Kit
AK50		Air Kit - Outside Air
ID4		Insulated Duct/Outside Air
UD4		Uninsulated Duct/Outside Air
<b>Twist Lock</b>	<b>Snap Lock</b>	
None	AD4	Snap Lock Chimney Adapter
AC506	SL506	Chimney Section - 6 inch long
AC512	SL512	Chimney Section - 12 inch long
AC518	SL518	Chimney Section - 18 inch long
AC536	SL536	Chimney Section - 36 inch long
AC548	SL548	Chimney Section - 48 inch long
SZ5	SL5	Chimney Stabilizer
OR531	SL531	Chimney Offset/Return - 30°
FS541		Firestop - Straight
FS543		Firestop - 30°
JB577		Chimney Joint Band
CB576		Chimney Bracket
RF570		Roof Flashing - Flat to 6/12 Pitch
RF571		Roof Flashing - 6/12 to 12/12 Pitch
RT582		Telescoping Chimney Terminal Cap - Round
RT584		Chimney Terminal Cap - Round
ST575		Chimney Terminal Cap - Square
ST8		Housing Top Chimney Terminal Cap
RB4		4' Simulated Red Brick Chimney Panels
TB4		4' Simulated Tan Brick Chimney Panels
RB6		6' Simulated Red Brick Chimney Panels
TB6		6' Simulated Tan Brick Chimney Panels
CT56		Chase Top

\*See Figures 1 and 2 (page 8) when using minimum clearances.

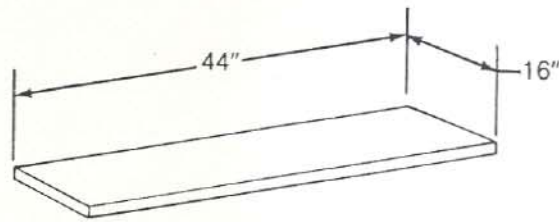
**CL36A CORNER FIREPLACE - LEFT SIDE OPEN**



**CR36A CORNER FIREPLACE - RIGHT SIDE OPEN**

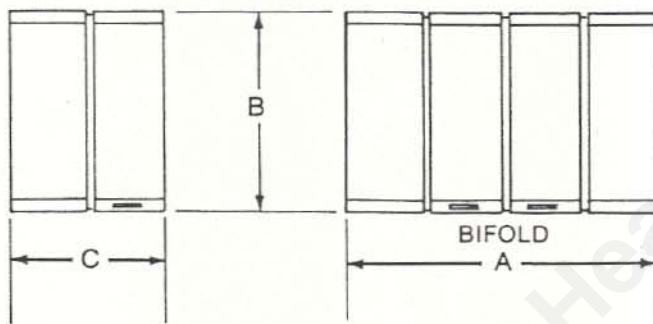


## HEARTH EXTENSION



HX44

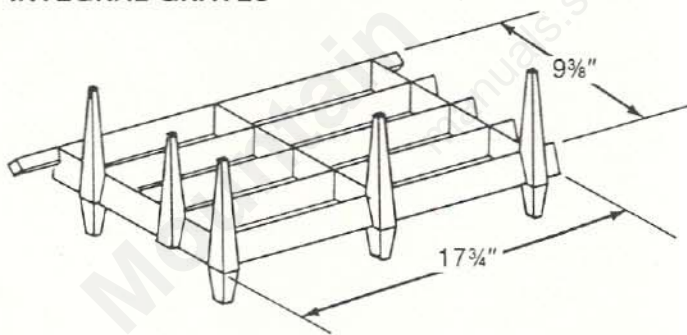
## GLASS DOORS



L.H. DOORS ILLUSTRATED

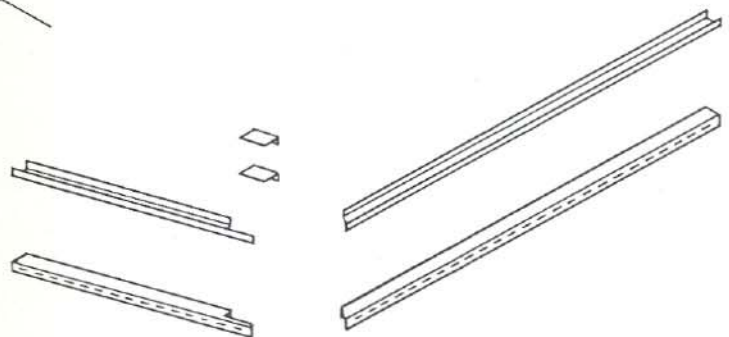
CAT. NO.	A	B	C
GL36A GR36A	32 <sup>15</sup> / <sub>16</sub> "	19 <sup>1</sup> / <sub>16</sub> "	16 <sup>7</sup> / <sub>16</sub> "
GL36B GR36B	32 <sup>15</sup> / <sub>16</sub> "	19 <sup>1</sup> / <sub>16</sub> "	16 <sup>7</sup> / <sub>16</sub> "
GL36T GR36T	32 <sup>15</sup> / <sub>16</sub> "	19 <sup>1</sup> / <sub>16</sub> "	16 <sup>7</sup> / <sub>16</sub> "
GD36L GD36R	33 <sup>3</sup> / <sub>8</sub> "	19 <sup>5</sup> / <sub>8</sub> "	16 <sup>5</sup> / <sub>8</sub> "

## INTEGRAL GRATES



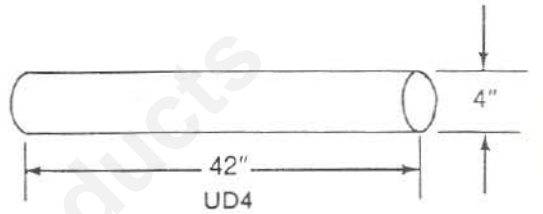
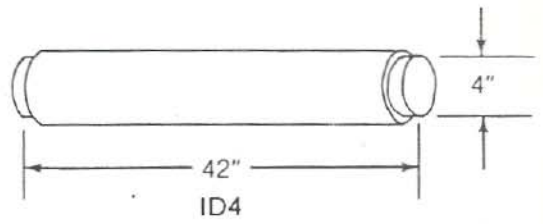
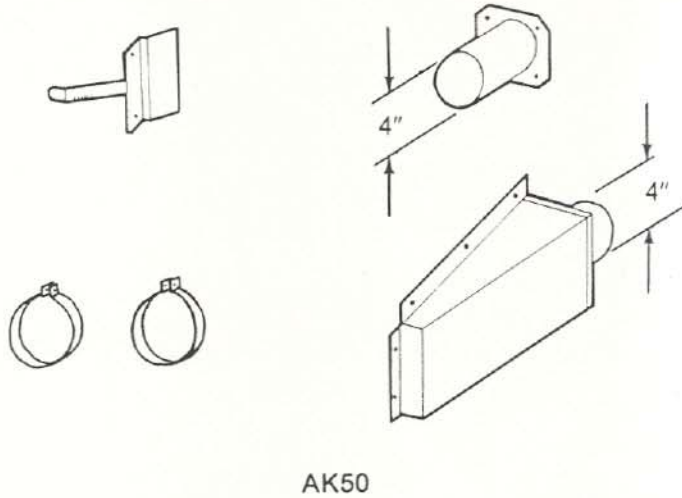
GR36LC (Illustrated)  
GR36RC  
GR36LW  
GR36RW

## TRIM KITS

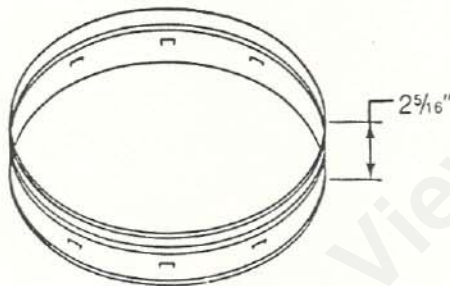


TK12L (Illustrated)  
TK12R

**AIR KIT**

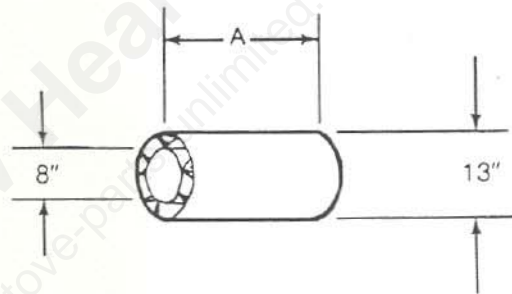


**SNAP LOCK CHIMNEY ADAPTER**



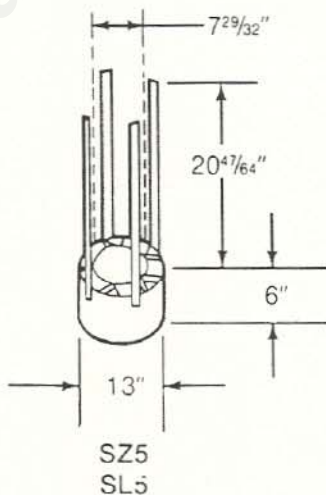
AD4

**CHIMNEY SECTIONS**

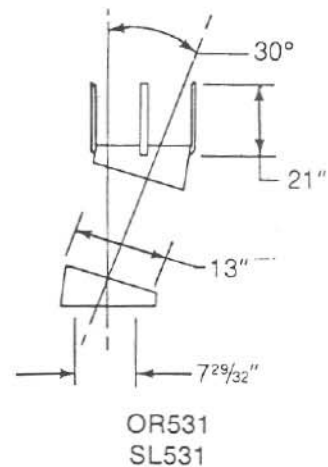


CAT. NO.	A
AC506 SL506	6"
AC512 SL512	12"
AC518 SL518	18"
AC536 SL536	36"
AC548 SL548	48"

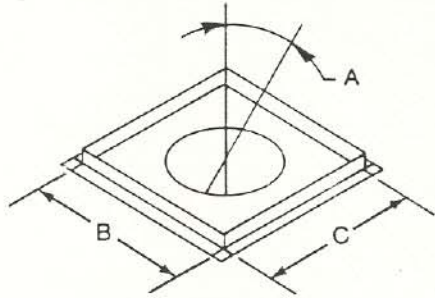
**CHIMNEY STABILIZER**



**OFFSET/RETURN**

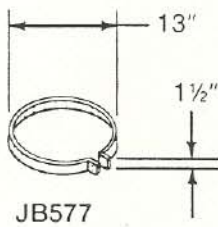


**FIRESTOP SPACERS**

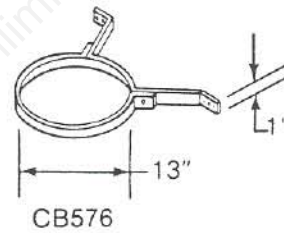


CAT. NO.	A	B	C
FS541	0°	17"	17"
FS543	30°	26"	17"

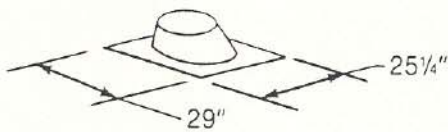
**JOINT BAND**



**CHIMNEY BRACKET**



**ROOF FLASHINGS**

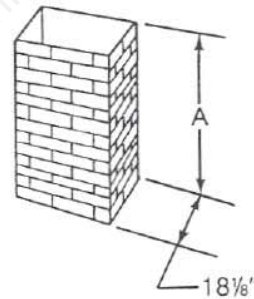
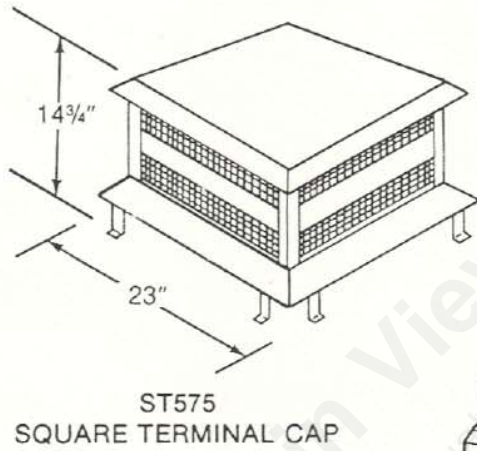
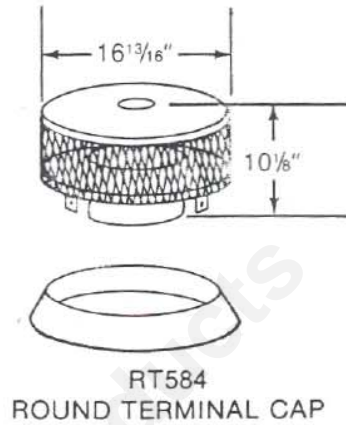
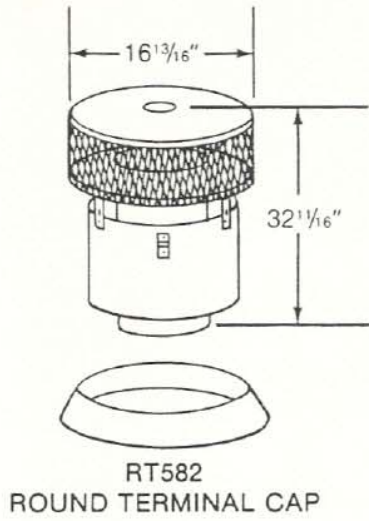


Flat to 6/12 Pitch  
RF570



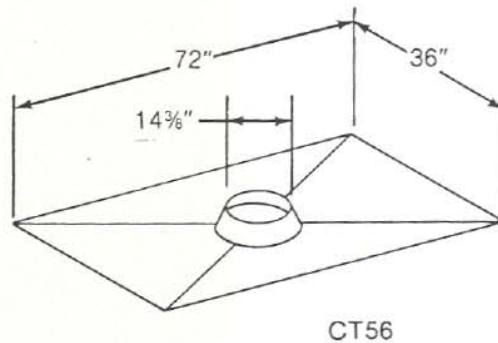
6/12 to 12/12 Pitch  
RF571

**CHIMNEY TERMINAL CAPS & TERMINATIONS**



CAT. NO.	A
RB4	45 3/4"
TB4	45 3/4"
RB6	69 3/4"
TB6	69 3/4"

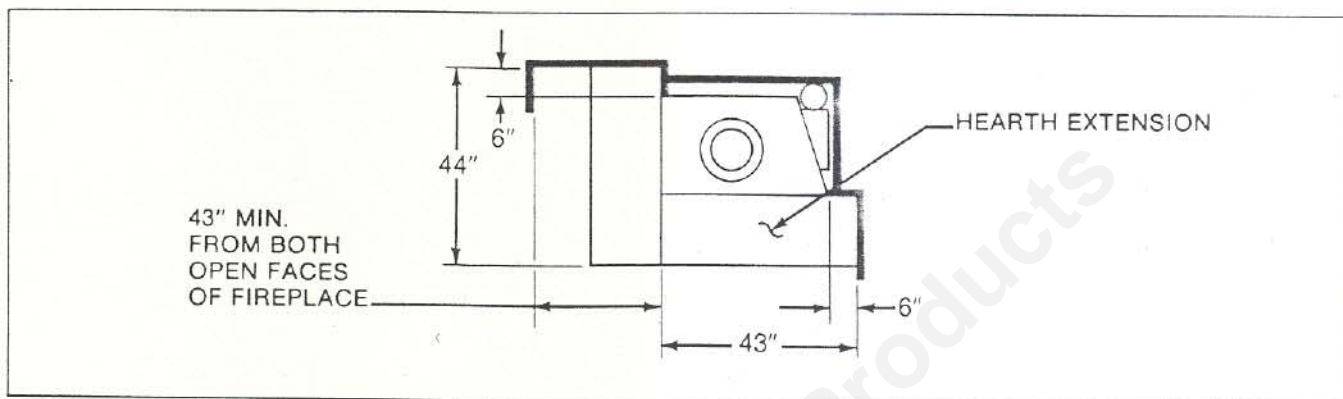
**CHASE TOP**



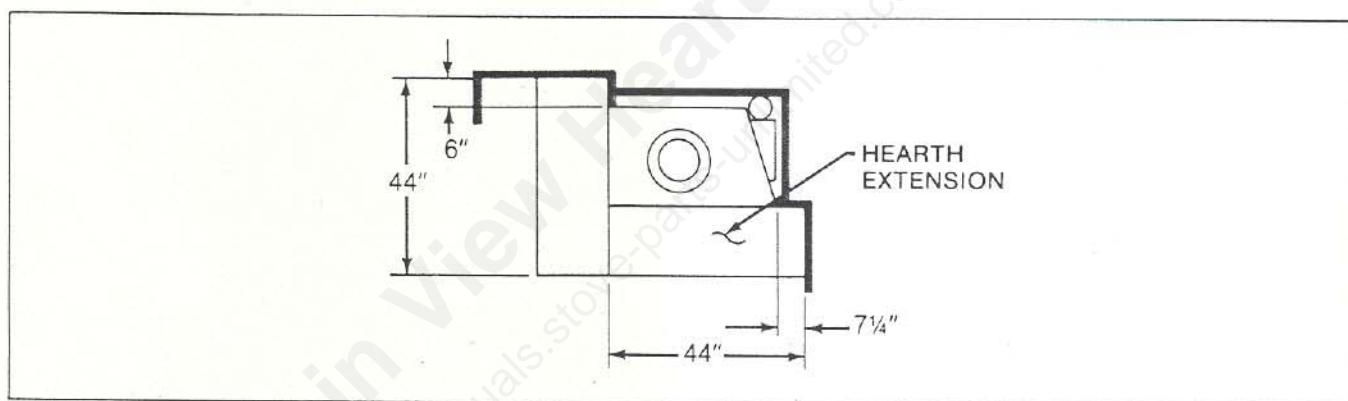
### III. FIREPLACE LOCATIONS, SPACE AND CONSTRUCTION REQUIREMENTS

The fireplace may be located as shown in Figures 1, 2 and 3.

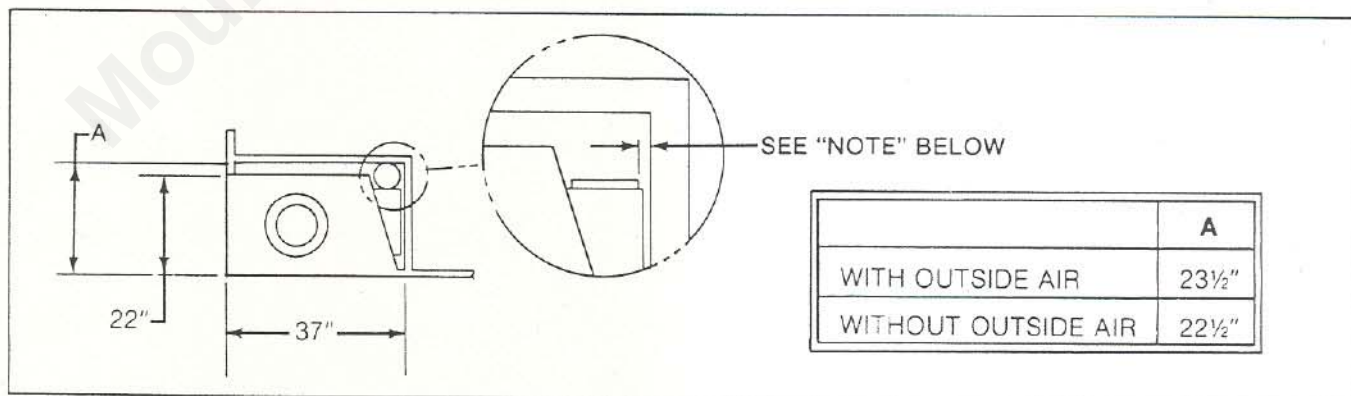
NOTE MINIMUM DISTANCE TO COMBUSTIBLE SURFACE FROM OPEN SIDES OF FIREPLACE.



**Figure 1**  
Minimum Clearances to Combustibles  
Left "Open" Fireplace Illustrated



**Figure 2**  
Clearances to Combustibles When Using Factory-Built Hearth Extensions



**Figure 3**  
Minimum Clearances to Combustibles With Outside Air

NOTE: The Outside Air metal collar must have 1/2" minimum clear space from combustibles at top, bottom and side as shown.

**WARNING**

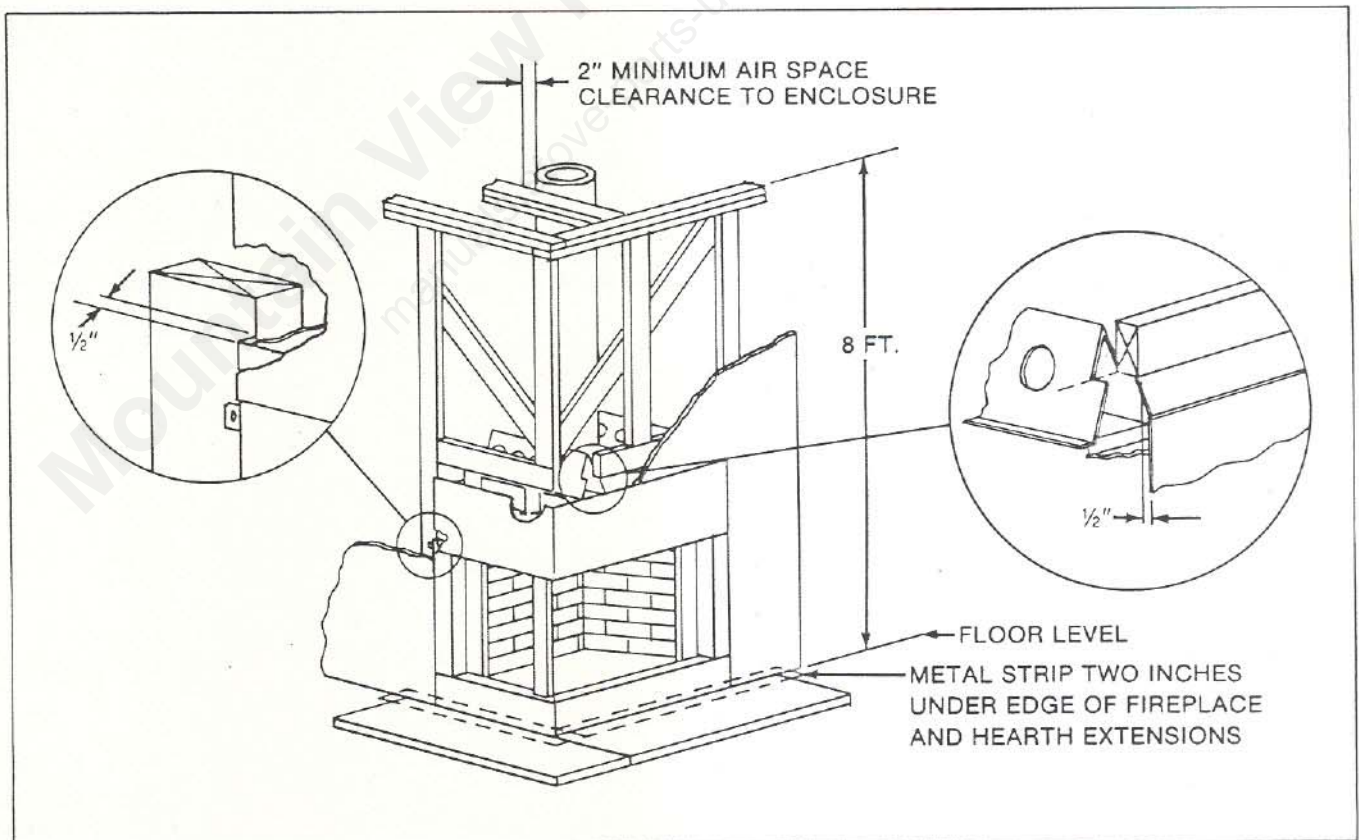
**WHEN LOCATING THE FIREPLACE IN A SPACE PROJECTING INTO A GARAGE, THE OUTSIDE AIR MUST NOT BE TAKEN FROM THE GARAGE SPACE. EXHAUST PRODUCTS OF GASOLINE ENGINES ARE HAZARDOUS.**

**DO NOT INSTALL OUTSIDE AIR DUCTS SUCH THAT THE AIR MAY BE DRAWN FROM ATTIC SPACES, BASEMENTS, OR ABOVE THE ROOFING WHERE OTHER HEATING APPLIANCES OR FANS AND CHIMNEYS EXHAUST OR UTILIZE AIR. THESE PRECAUTIONS WILL REDUCE THE POSSIBILITY FOR SMOKING OR FLOW REVERSAL.**

Figure 4 shows the framing of the fireplace, assuming combustible materials are used. The vertical framing must extend from floor to ceiling, with no horizontal members projecting from front to back above the fireplace, except at the ceiling level. Chimney Sections at any level require a minimum air space of two inches to the enclosure, including any framing, for the total chimney height.

**WARNING**

**TO PREVENT CONTACT WITH SAGGING OR LOOSE INSULATION THE FIREPLACE MUST NOT BE INSTALLED AGAINST VAPOR BARRIERS OR EXPOSED INSULATION. LOCALIZED OVERHEATING COULD OCCUR AND A FIRE COULD RESULT.**

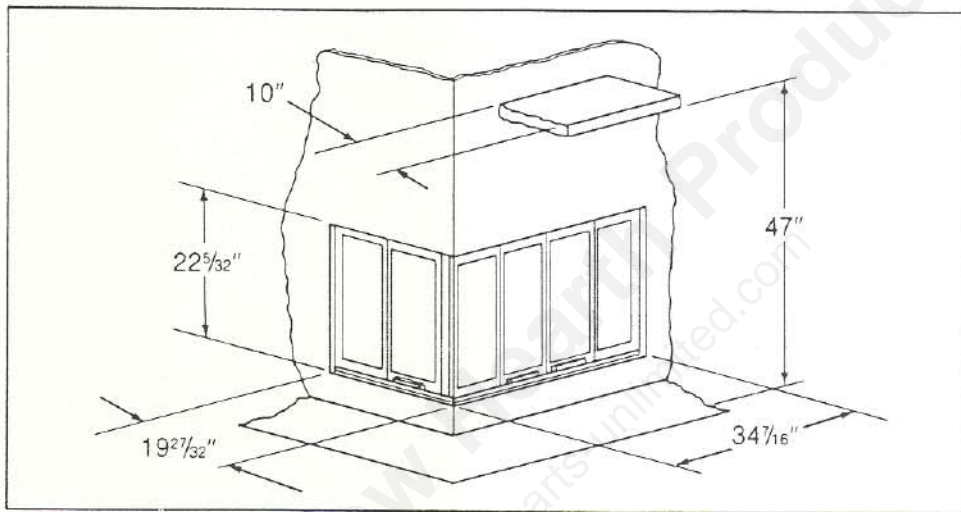


**Figure 4**  
Framing the Fireplace

### WARNING

**DO NOT USE THIS FIREPLACE TO SUPPORT WALLS, CEILINGS, OR OTHER BUILDING MEMBERS. TO INSURE AGAINST OVERLOAD AT THE EXPOSED CORNER, CHECK THIS CORNER STUDDING FOR CLEARANCE BETWEEN THE STUDS AND THE FIREPLACE CORNER.**

After completing the framing and after applying the facing material over the framing, see Figure 5, a non-combustible sealant, one-half inch wide maximum, must be used to close off any gaps at the top and sides between the fireplace and facing, to prevent cold air leaks. A mantel of combustible material may be installed no less than 47 inches above the platform or floor upon which the fireplace is located. The mantel may extend no more than 10 inches from the wall, and may be located on both open sides of the fireplace.



**Figure 5**  
Non-combustible Facing

Non-combustible materials may be used to cover the black fireplace front, but must not restrict the air flow to or from the front of the unit in any manner. The following is a description of materials specified in these Instructions:

**Combustible Material.** Material made of or surfaced with wood, compressed paper, plant fibers, plastics, or other material that will ignite and burn, whether flameproofed or not, or whether plastered or unplastered.

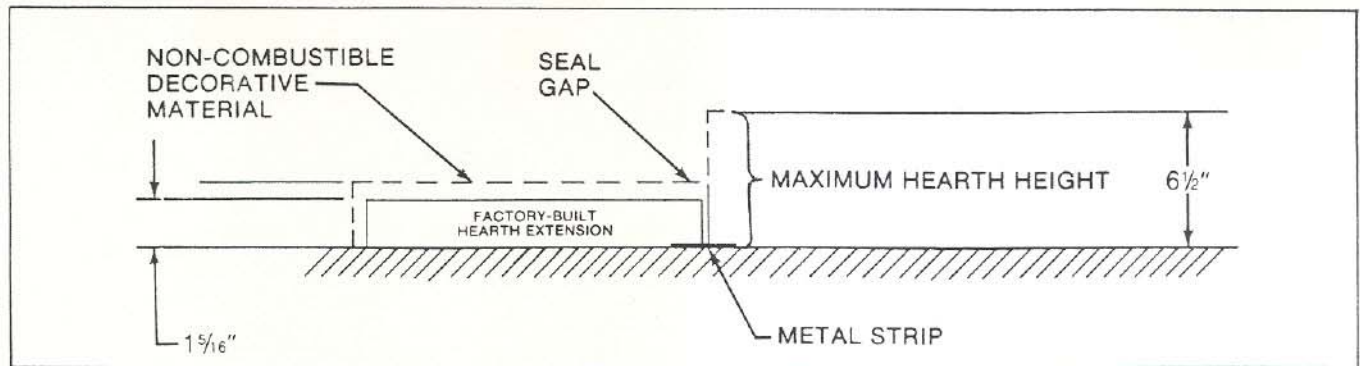
**Non-combustible Material.** Material which will not ignite and burn, such materials consisting entirely of steel, iron, brick, tile, concrete, slate, asbestos, glass or plasters, or combination thereof.

**Non-combustible Sealant Material.** General Electric RTV103 (Black), or equivalent. Rutland, Inc. Fireplace Mortar #63, or equivalent.

### WARNING

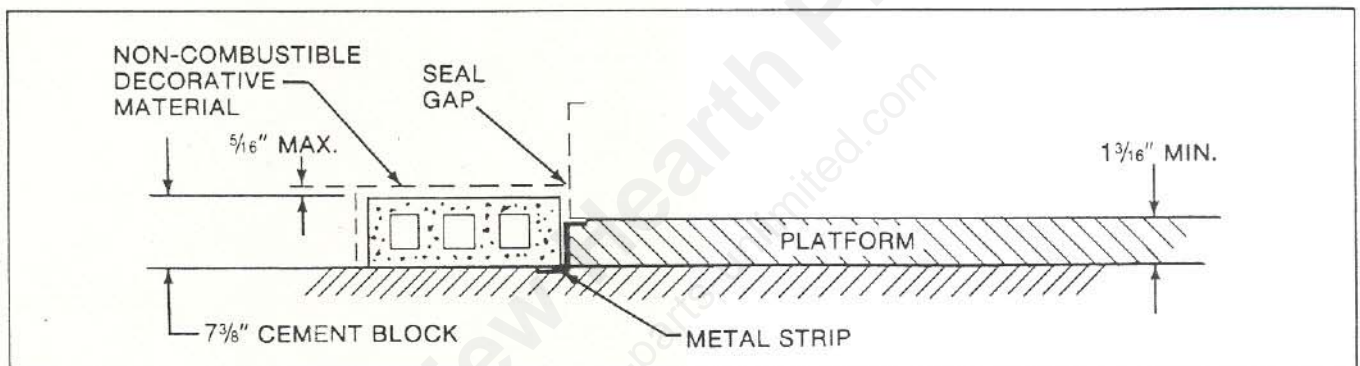
**DO NOT APPLY FINISH MATERIALS OVER THE TOP AND BOTTOM AIR INLET SLOTS NEAR THE GLASS DOOR OPENING ON THE FACE OF THESE FIREPLACES. THIS WILL BLOCK THE FLOW OF COOLING AIR AND MAY CAUSE DANGEROUSLY HIGH TEMPERATURES ON COMBUSTIBLE SURFACES OR ON THE FIREPLACE ITSELF.**

The use of factory-built Hearth Extensions is shown in Figure 6. These may be covered with a non-combustible decorative material with a maximum thickness of 1 13/16 inch. Seal gaps with non-combustible (sand-cement) grout.



**Figure 6**  
Factory-Built Hearth Extension

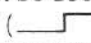
Field constructed Hearth Extensions may be used, but must be constructed in accordance with the following instructions. A typical construction is shown in Figure 7. In all cases of field construction, a minimum dimension of 16" to the front and extending 8" on either side of the fireplace opening must be used, and gaps must be sealed with non-combustible (sand-cement) grout.



**Figure 7**  
Field Constructed Hearth Extension

A second alternative to the cement block construction shown in Figure 7 is as follows:

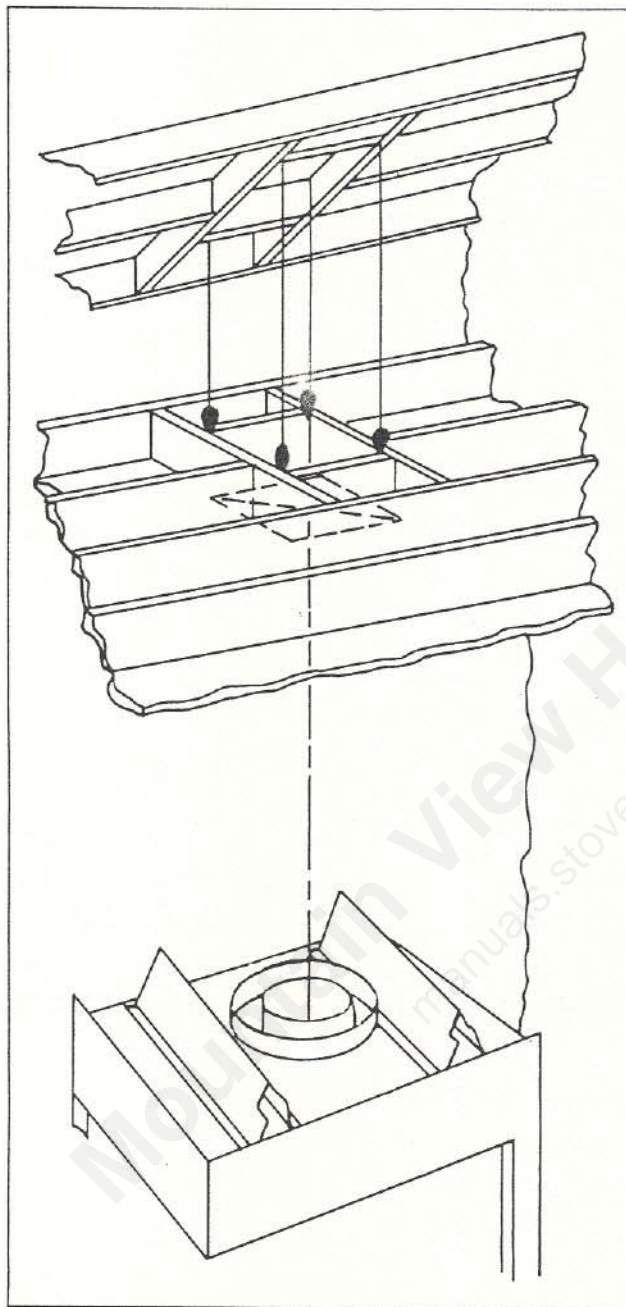
1. One 3/8" layer of non-combustible, inorganic material equivalent to millboard having a thermal conductivity of  $K = 0.68 \text{ BTU-IN./SQ.FT.-HR.-}^\circ\text{F.}$
2. Apply one course common brick on edge over the material described in step 1.
3. A minimum dimension of 16" to the front, and extending 8" on the side of the fireplace opening must be maintained.
4. The platform shown in Figure 7 is not required for this construction.

Figure 7 requires that the fireplace be raised on a platform. A metal strip must be used between the fireplace and the field constructed Hearth Extension. Depending on the construction, a special (  ) shape may be needed. Each horizontal leg must be 2" wide and the length must be at least equal to the length of the Metal Strip provided with each fireplace. The fireplace must rest on a continuous, level surface.

#### WARNING

**HEARTH EXTENSIONS ARE TO BE INSTALLED ONLY AS ILLUSTRATED TO PREVENT HIGH TEMPERATURES FROM OCCURRING ON CONCEALED COMBUSTIBLE MATERIALS. METAL STRIPS PREVENT BURNING OR HOT PARTICLES FROM INADVERTENTLY FALLING DIRECTLY ON COMBUSTIBLE SURFACES IN THE EVENT THE BUILDING SHOULD SETTLE AND DISTURB THE ORIGINAL CONSTRUCTION.**

When planning your fireplace location, the chimney construction and necessary clearance must be considered. Figure 8 illustrates a typical one floor with attic space installation in which joists and rafters may require modification. The fireplace system and chimney components have been tested to provide the following flexibility in construction.

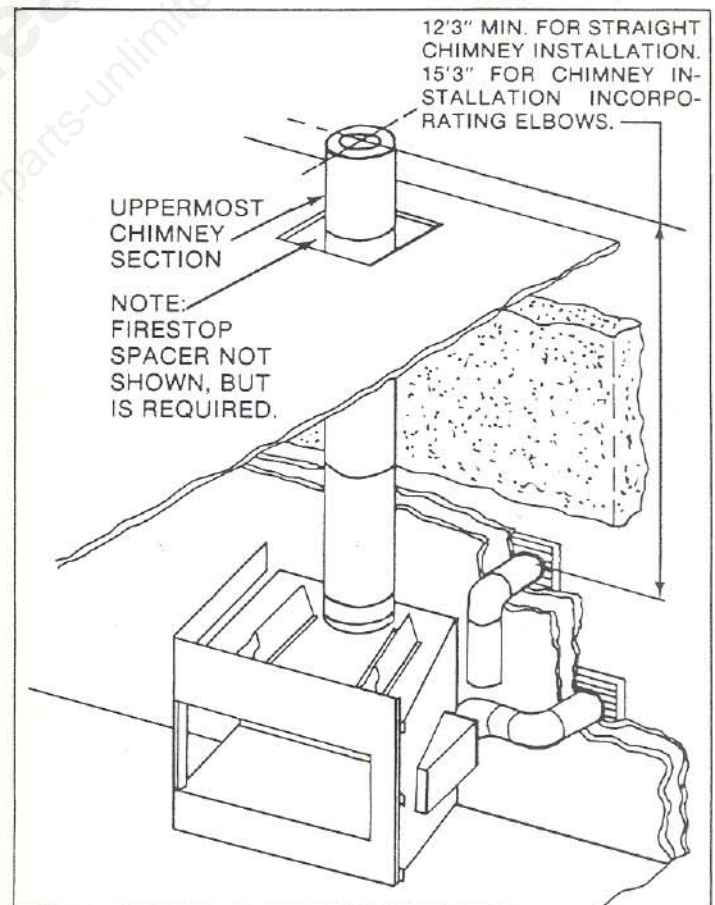


**Figure 8**  
Ceiling and Attic Construction

Minimum straight height	14 ft.
Minimum height with Offset/Return	17 ft.
Maximum height	90 ft.
Maximum chimney length between an Offset/Return	8 ft.
Maximum distance between Chimney Stabilizers	35 ft.
Double Offset/Return minimum height	24 ft.
Maximum unsupported chimney length between Offset/Return	6 ft.
Maximum straight unsupported chimney height above firebox	25 ft.

Joint Bands must be used at every joint between an Offset and Return.

If Outside Combustion Air is used, Figure 9 illustrates only two of many possible locations - a basement fireplace with a maximum of 21 inches of vertical height, and a direct exit from the fireplace side.



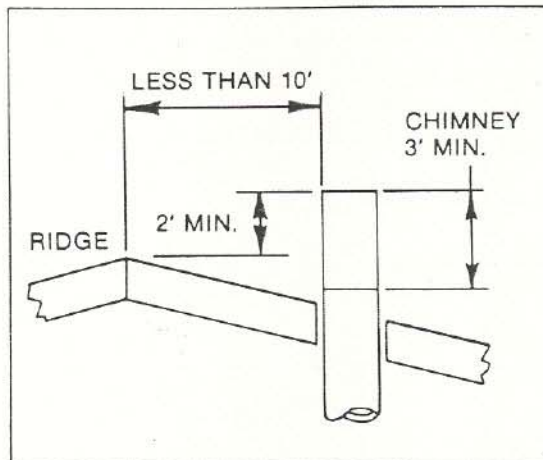
**Figure 9**  
Outside Air Locations

**NOTE:** A 12'3" minimum height in a straight chimney installation (and 15'3" in an Elbow installation) must be maintained from the top of the uppermost Chimney Section to the Outside Combustion Air inlet.

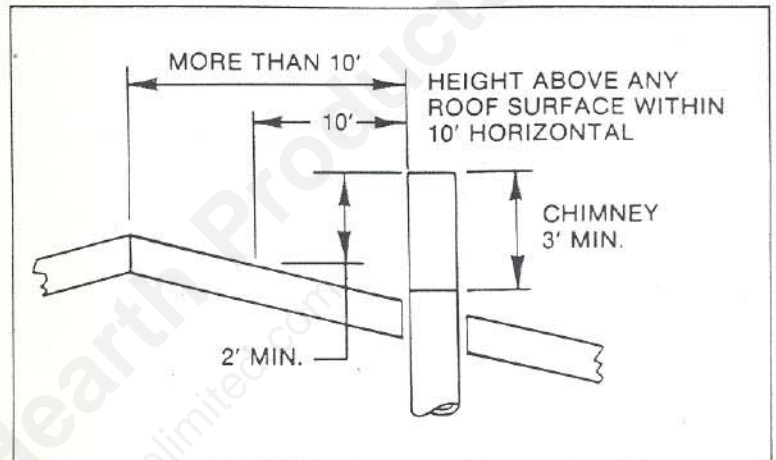
Major building codes specify a minimum chimney height above the roof top. These specifications are summarized in what is known as the "Ten Foot Rule". This rule states:

1. If the horizontal distance from the side of the chimney to the peak of the roof is 10 feet or less, the top of the chimney must be at least 2 feet above the peak of the roof, but never less than 3 feet in height above the highest point where it passes through the roof. See Figure 10.
2. If the horizontal distance from the side of the chimney to the peak of the roof is more than 10 feet, a chimney height reference point is established on the surface of the roof a distance of 10 feet from the side of the chimney in a horizontal plane. The top of the chimney must be at least 2 feet above this reference point, but never less than 3 feet in height above the highest point where it passes through the roof. See Figure 11.

These chimney heights are necessary in the interest of safety and do not assure smoke-free operation. Trees, building, adjoining roof lines, adverse wind conditions, etc., may require a taller chimney should smoking exist.



**Figure 10**  
Chimney Height



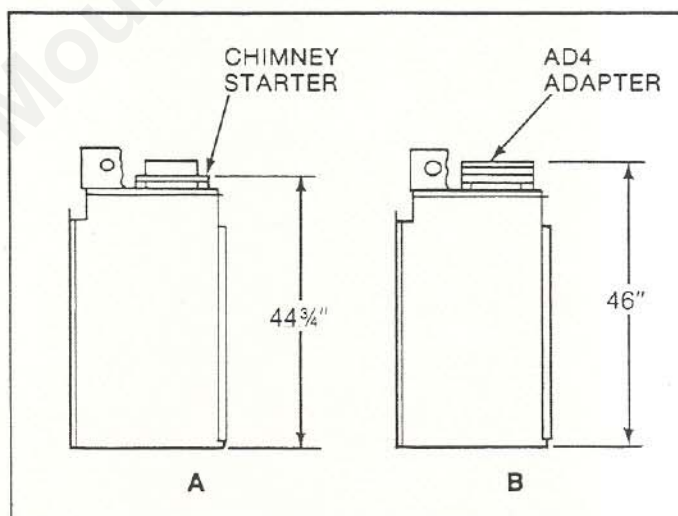
**Figure 11**  
Chimney Height

### SELECTING THE CHIMNEY COMPONENTS

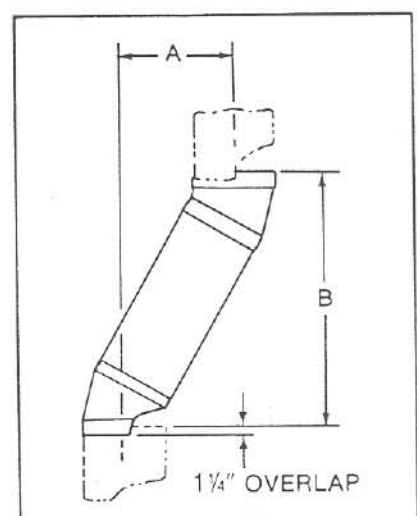
If using AC series (twist lock chimney), Figure 12A illustrates the height from the bottom of the fireplace to the top of the chimney starter. If using SL series (snap lock chimney), Adapter AD4 must first be snapped on the unit. Figure 12B illustrates the height from the bottom of the fireplace to the top of the Adapter AD4. Proper assembly of Air Cooled Chimney Sections results in an overlap at chimney joints of 1 1/4".

Figure 13 and Table 1 enable selection of the appropriate chimney components when using Offsets and Returns.

1. Determine amount of offset required to extend the chimney through a wall or around an obstacle. See Figure 13, dimension "A".



**Figure 12**  
Fireplace (Side View)



**Figure 13**  
Chimney Offset/Return

- Refer to the following 30° offset chart and find the "A" dimension closest to but not less than the amount of offset required in your installation.

**WARNING**

**DO NOT COMBINE OFFSETS TO CREATE AN OFFSET GREATER THAN 30° FROM VERTICAL. THIS MAY CREATE A FIRE HAZARD SINCE THE NATURAL DRAFT MAY BE RESTRICTED.**

- Find the "B" dimension on the chart and determine if it is compatible with your installation.
- Read across the chart and find the Catalog Number and number of Chimney Sections required. If using AC series - twist lock - the last column indicates the number of Joint Bands needed. SL series - snap lock - does not require the use of Joint Bands between an Offset and Return.
- Refer to the Step-By-Step Installation Instructions following the chart.
- All joist areas must be Firestopped.

**TABLE 1**

**30° Offset Chart**

**(Dimensions in Inches)**

A	B	AC506 SL506	AC512 SL512	AC518 SL518	AC536 SL536	AC548 SL548	JB577*
3 $\frac{3}{8}$	14 $\frac{7}{16}$	—	—	—	—	—	1
6 $\frac{1}{4}$	18 $\frac{9}{16}$	1	—	—	—	—	2
9 $\frac{1}{4}$	23 $\frac{3}{4}$	—	1	—	—	—	2
12 $\frac{1}{4}$	28 $\frac{5}{16}$	—	—	1	—	—	2
14 $\frac{5}{8}$	33 $\frac{1}{16}$	—	2	—	—	—	3
17 $\frac{5}{8}$	38 $\frac{1}{4}$	—	1	1	—	—	3
21 $\frac{1}{4}$	44 $\frac{9}{16}$	—	—	—	1	—	2
23 $\frac{5}{8}$	48 $\frac{1}{16}$	1	—	—	1	—	3
27 $\frac{1}{4}$	55 $\frac{3}{4}$	—	—	—	—	1	2
29 $\frac{5}{8}$	59 $\frac{1}{16}$	1	—	—	—	1	3
32 $\frac{5}{8}$	64 $\frac{1}{4}$	—	1	—	—	1	3
35 $\frac{5}{8}$	69 $\frac{1}{16}$	—	—	1	—	1	3
38	73 $\frac{9}{16}$	—	2	—	—	1	4
41	78 $\frac{3}{4}$	—	1	1	—	1	4
44 $\frac{5}{8}$	85 $\frac{1}{16}$	—	—	—	1	1	3
47	89 $\frac{5}{8}$	1	—	—	1	1	4
50 $\frac{5}{8}$	95 $\frac{1}{16}$	—	—	—	—	2	3

NOTE: Joint Bands, JB577, are not required for use with SL series - snap lock. AC series - twist lock - must use a Joint Band over each Chimney Section Joint between an Offset and Return.

#### IV. STEP-BY-STEP INSTALLATION OF THE FIREPLACE SYSTEM

##### WARNING

**BEFORE STARTING, DO THE FOLLOWING:**

- 1. WEAR GLOVES AND SAFETY GLASSES FOR PROTECTION.**
- 2. KEEP HAND TOOLS IN GOOD CONDITION. SHARPEN CUTTING EDGES AND MAKE SURE TOOL HANDLES ARE SECURE.**
- 3. ALWAYS MAINTAIN THE MINIMUM AIR SPACE REQUIRED TO THE ENCLOSURE TO PREVENT FIRE.**

##### STEP 1

Position the fireplace and nail wood blocks along the sides to prevent the fireplace from shifting (blocks must be removed later).

##### STEP 2

Slide the metal strip two inches under the front edge and bottom standoffs of the fireplace. See Figure 4. When the metal strip is not provided as a single piece, then the individual pieces must overlap each other approximately one inch.

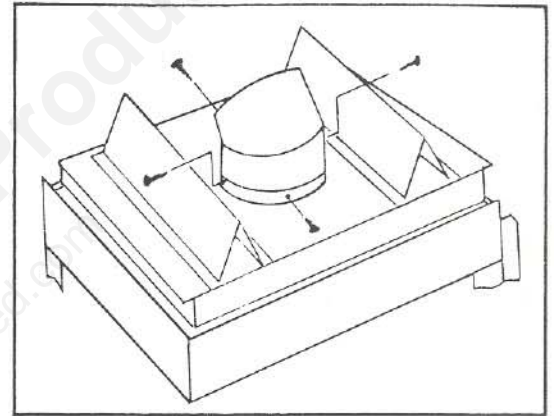
##### STEP 3

Level the fireplace side-to-side and front-to-back. Shim with non-combustible material as necessary. Secure the fireplace by utilizing the nailing flanges located on either side of the fireplace.

##### STEP 4

Two styles of Air Cooled Chimney are available for use with this fireplace, AC series - twist lock or SL series - snap lock. Choose one of these and assemble either a straight Pipe Section or an Offset to the fireplace. When using AC series - twist lock, always secure all Offsets and Pipe Sections with the screws provided. See Figure 14.

**NOTE:** Use of SL series - snap lock, requires use of an AD4 Adapter. This must be installed directly on the fireplace first, before assembling any other Pipe to the unit.



**Figure 14**  
Offset Secured to Fireplace

##### WARNING

**IF USING SL SERIES - SNAP LOCK CHIMNEY, USE OF THE AD4 ADAPTER IS REQUIRED. FAILURE TO USE AD4 ADAPTER WITH SL SERIES - SNAP LOCK CHIMNEY WILL RESULT IN UNEVEN INNER AND OUTER SECTION HEIGHTS AND MAY CAUSE A HAZARDOUS INSTALLATION. DO NOT USE AD4 ADAPTER WITH AC SERIES - TWIST LOCK CHIMNEY.**

##### WARNING

**FOLLOW THE INSTRUCTIONS FOR ASSEMBLY OF THE PIPE AND OTHER PARTS, WHICH ARE PACKED WITH EVERY PIPE SECTION AND ALL OTHER COMPONENTS NEEDED TO INSTALL THIS FIREPLACE SYSTEM. FAILURE TO DO SO MAY RESULT IN A FIRE, ESPECIALLY IF COMBUSTIBLES ARE TOO CLOSE TO THE FIREPLACE OR CHIMNEY AND AIR SPACES ARE BLOCKED PREVENTING THE FREE MOVEMENT OF COOLING AIR.**

□ **STEP 5**

Mark and cut out an opening in the ceiling for the particular Firestop Spacer being utilized. Frame the opening with the same size lumber used in the ceiling joists. See Chapter 25 of the Uniform Building Code for general construction requirements when "Framing Around Openings".

□ **STEP 6**

Install the Firestop Spacer FS541 (Straight), or FS543 (30° Offset, if Offset is located in the ceiling joist area). These Firestop Spacers are designed to provide the minimum two inch air space around the chimney. In all situations, the Firestops are to be nailed to the ceiling joists from the bottom or fireplace side, EXCEPT, when the space above the ceiling is an attic space. In this situation, the Firestop must be nailed from the attic side to ensure against loose or later blow-in-type insulation from falling into the required two inch air space around the chimney. Firestop Spacers must be used at all ceiling levels where the chimney penetrates a living space.

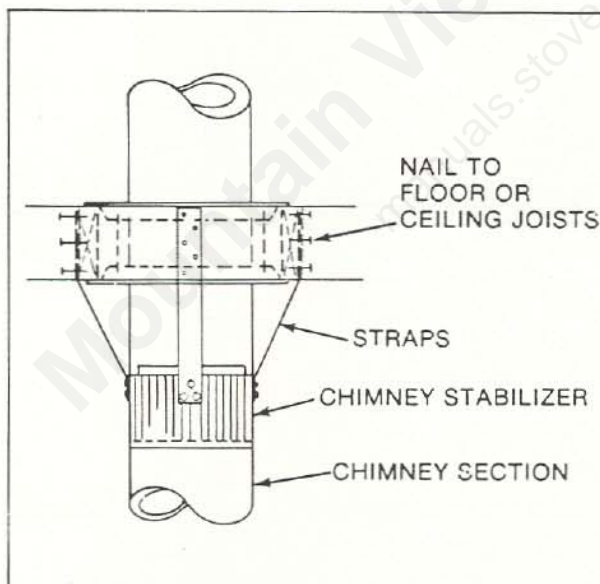
□ **STEP 7**

Continue assembling Chimney Sections up through the Firestop Spacers as needed. Check height and unsupported chimney length limitations described earlier.

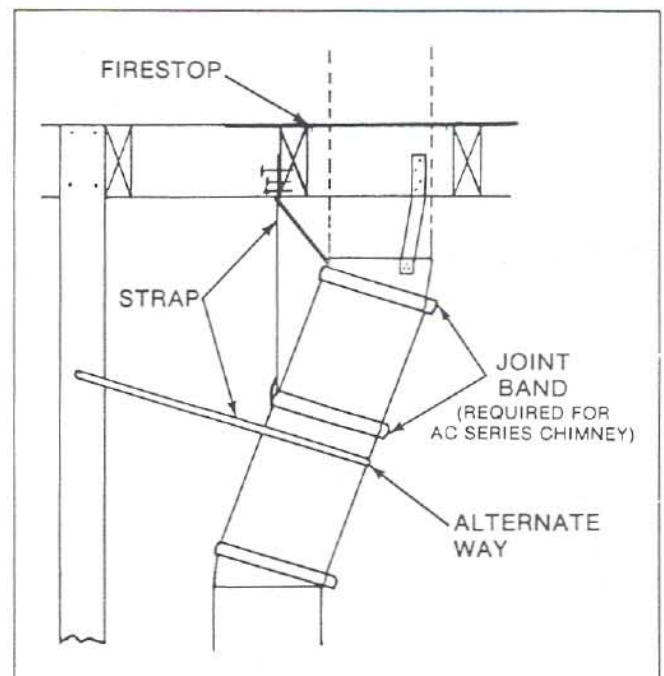
The maximum straight unsupported height is 25 feet above the firebox and 35 feet between Chimney Stabilizers.

□ **STEP 8**

When Offsets/Returns are joined to straight Pipe Sections, they must be locked in position with the size 10 sheet metal screws provided, using the predrilled holes. Other orientations of Offsets/Returns may be used, but must be field drilled (9/64 drill dia.) using the outer holes as a template. Offsets/Returns and Chimney Stabilizers have straps for securing these parts to joists or rafters. Plumbers tape may be purchased locally and used in conjunction with Joint Bands to secure the chimney as an alternate method. Chimney Brackets may be used to stabilize the chimney. See Figures 15 and 16.



**Figure 15**  
Chimney with Stabilizer



**Figure 16**  
Offset/Return Installation

### WARNING

**WHEN CHIMNEY SECTIONS EXCEEDING 6 FEET IN LENGTH ARE INSTALLED BETWEEN AN OFFSET/RETURN, STRUCTURAL SUPPORT MUST BE PROVIDED TO REDUCE OFF-CENTER LOADING AND PREVENT CHIMNEY SECTIONS FROM SEPARATING AT THE CHIMNEY JOINTS.**

#### STEP 9

Locate the point where the chimney will exit the roof by plumbing down to the center of the chimney. Drive a nail through the roof to mark the center.

#### STEP 10

Measure to either side of the nail and mark the 17" x 17" opening required. This 17" x 17" is measured on the horizontal; actual length may be larger depending on the pitch of the roof. Cut out and frame the opening. See Chapter 25 of the Uniform Building Code for Roof Framing details.

#### STEP 11

Continue to add Chimney Sections through the roof opening, maintaining at least a 2" air space.

#### STEP 12

Install the Roof Flashing appropriate to the roof pitch. Assemble the Storm Collar to protect against rain entering around the outside of the chimney, and add the Chimney Terminal Cap. The Terminal Cap must be one of the following: RT582 (Telescoping-Round), RT584 (Round), ST575 (Square), or ST8 (Housing Top) with RB4, TB4, RB6, or TB6 Simulated Brick Panels.

### WARNING

**DETAIL INSTRUCTIONS FOR INSTALLATION OF THE ROOF FLASHING, STORM COLLAR AND TERMINAL CAP ARE FOUND PACKAGED WITH THESE PARTS. TO AVOID DANGER OF FIRE, ALL INSTRUCTIONS MUST BE STRICTLY FOLLOWED, INCLUDING THE PROVISION OF AIR SPACE CLEARANCE BETWEEN CHIMNEY SYSTEM AND COMBUSTIBLE ENCLOSURE. TO PROTECT AGAINST EFFECTS OF METAL CORROSION OF THE ABOVE PARTS, FIRST WASH THEM WITH A SOLVENT OR VINEGAR, RINSE WITH WATER, AND THEN PAINT WITH A RUST RESISTANT PAINT.**

#### STEP 13

Install Outside Air if desired or required by local code, using the Instructions supplied with the AK50 Air Kit.

**NOTE:** If Insulated Duct for Outside Air, Catalog Number ID4, is used, the studs will compress the side of the Insulated Duct about 3/4 inch. Insulated or Uninsulated Duct, UD4, must be ordered separately. More than one piece of these Ducts may be required in some installations. If so, join them together using duct tape.

### CAUTION

**SIGNIFICANT COLD AIR MAY INFILTRATE THROUGH THE DUCT OR OTHER PARTS OF THIS SYSTEM. TO GUARD AGAINST THIS, CHECK FOR LIGHT LEAKS WITH A FLASHLIGHT AND SEAL THESE WITH DUCT TAPE AND/OR INSULATION. CONNECTOR INSULATION SHOULD BE FORMED AROUND THE TUBE AND FIREPLACE WALL TO SEAL ANY GAPS.**

**STEP 14**

Frame the fireplace enclosure, allowing space for outside air ducts and gas piping if desired. Care must be taken with any electrical wiring to avoid exposure to high temperatures or mechanical damage to wire insulation. A minimum clearance of 1/2" must be maintained between the fireplace side and back and the combustible enclosure. Check to make sure blocks from STEP 1 have been removed.

**STEP 15**

Knockouts are provided on the side of the fireplace to allow for connection of a decorative gas appliance, in accordance with the National Fuel Code, ANSI Z223.1-1980. The side refractory is designed to allow 1/2" iron pipe to pass through. Use a non-combustible sealant to seal any opening between the gas pipe and refractory on the inside. Repack the insulation removed, to seal around the gas pipe where it exits the side of the fireplace.

**CAUTION**

- 1. WHEN USING THE DECORATIVE APPLIANCE, THE FIREPLACE DAMPER MUST BE SET IN THE FULLY OPEN POSITION.**
- 2. A FULLY OPEN DAMPER ENSURES PROPER VENTING OF COMBUSTION PRODUCTS.**

**STEP 16**

Install Glass Doors if desired, using the Instructions supplied with these optional accessories. Protect Glass Doors from breakage by temporarily removing them until all construction is complete.

**STEP 17**

Position the Hearth Extension over the metal protective strip which should project about two inches in front of the fireplace bottom front. See Figure 4. Seal the crack between the Hearth Extension and fireplace with a non-combustible (sand-cement) grout.

**STEP 18**

Apply the finish materials of your choice. Do not install combustible materials over the black face of the fireplace or over the cooling air inlet slots in the firebox opening. You may use non-combustible material over the black vertical face of the fireplace.

**STEP 19**

This fireplace is equipped with a factory installed Integral Grate. In the event it becomes necessary to replace it, remove the pins from both ends of the back horizontal bar, using a vise grip to pull them free. Slide the Grate so the end clears the hook. Your new Grate will be supplied with new pins. Remove these pins and slide the Grate into position, and replace the pins. Use only Catalog Number GR36LC or GR36LW (for L.H. fireplace), or GR36RC or GR36RW (for R.H. fireplace) Integral Grate for replacement.

**STEP 20**

It is not intended that this fireplace be used as a support structure for walls, ceilings, or other building members. When the installation has been properly constructed, the corner post, at the junction of the side and front, may be removed by removing the four screws holding the corner post. Replace the screws after the post is removed. Cover the notches left open by the missing corner post using the brackets provided in the fastener package.

**STEP 21**

Prior to building your first fire in your fireplace, please read the "Operating Instructions" section that follows.

### WARNING

DO NOT PACK REQUIRED AIR SPACES WITH INSULATION OR OTHER MATERIALS. THIS PREVENTS THE NATURAL CONVECTION COOLING WHICH MUST TAKE PLACE. THE REQUIRED CLEARANCES ARE TO THE ENCLOSURE AND SHOULD NOT BE REDUCED BY THE ADDITION OF OTHER MATERIALS WHETHER OF NON-COMBUSTIBLE OR COMBUSTIBLE MATERIAL. COMBUSTIBLE MATERIALS AS WELL AS THE NON-COMBUSTIBLE MATERIALS USED IN THE FIREPLACE MAY HAVE THEIR USEFUL LIFE REDUCED.

## V. CONSTRUCTING A CHASE

The chase may be constructed for the fireplace and chimney or for the chimney only. A chase is an enclosure built around the system. It is most commonly constructed on an outside wall as shown below.

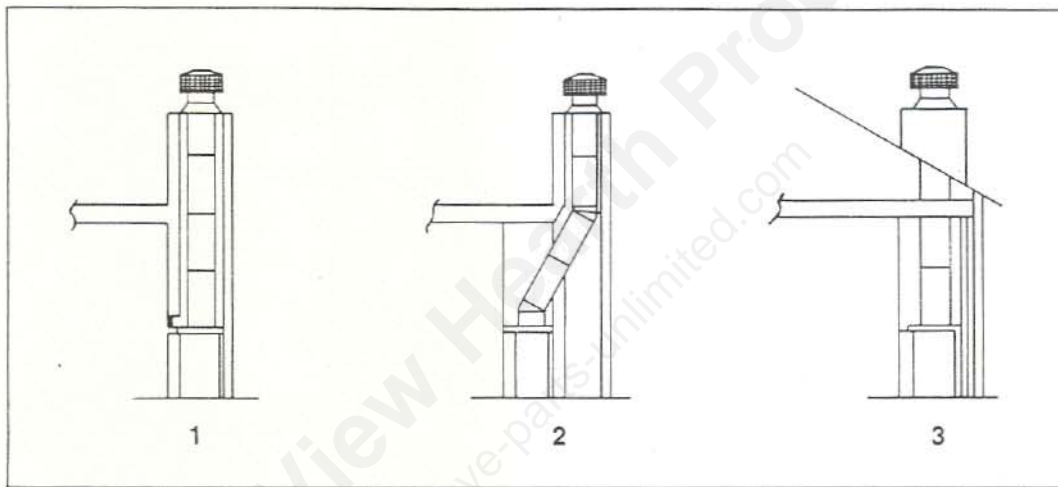


Figure 17  
Chase Constructions

Three examples of chase applications are shown in Figure 17.

1. Fireplace and chimney enclosed in chase - exterior.
2. Chimney offset through exterior wall and enclosed in chase.
3. Chase constructed on roof.

### MATERIALS FOR CHASE

The chase is constructed much the same as the walls in your home. A variety of materials may be used including brick, stone, veneer brick, or standard siding materials.

In constructing the chase, several factors must be considered.

1. Maintain a 2" air space clearance around the chimney.
2. The Chase Top must be constructed of a non-combustible material.
3. The walls of the chase must be insulated to prevent heat leaking from the home around and through the fireplace.

### TO INSTALL TERMINAL CAP ON CHASE - ENCLOSED CHIMNEY

1. Construct chase of desired materials maintaining a minimum 2" air space around the chimney.

### WARNING

NEVER INSTALL A SINGLE WALL SLIP SECTION OR SMOKE-PIPE IN A CHASE STRUCTURE. THE HIGHER TEMPERATURE OF THIS SINGLE WALL PIPE MAY RADIATE SUFFICIENT HEAT TO COMBUSTIBLE CHASE CONSTRUCTION MATERIALS TO CAUSE A FIRE.

2. Install the Chimney Sections up through the chase. When using a Round Terminal Cap (RT584), the last section of Pipe must extend at least six inches above the Chase Top to allow installation of the Storm Collar and Terminal Cap. For installations utilizing a Telescoping Round Terminal Cap (RT582), the last Chimney Section must not be more than 15" below or 3" above the Chase Top. If a Square Terminal Cap (ST575) is utilized, see separate Installation Instructions.

#### WARNING

**DETAIL INSTRUCTIONS FOR INSTALLATION OF THE CHASE TOP, STORM COLLAR AND TERMINAL CAP ARE FOUND PACKAGED WITH THESE PARTS. TO AVOID DANGER OF FIRE, ALL INSTRUCTIONS MUST BE STRICTLY FOLLOWED, INCLUDING THE PROVISION OF AIR SPACE CLEARANCE BETWEEN CHIMNEY SYSTEM AND COMBUSTIBLE ENCLOSURE AND BETWEEN CHASE AND CHASE TOP. TO PROTECT AGAINST EFFECTS OF METAL CORROSION OF PARTS SUCH AS CHASE TOP AND THOSE ABOVE CHASE TOP, FIRST WASH THEM WITH A SOLVENT OR VINEGAR, RINSE WITH WATER, AND THEN PAINT WITH A RUST RESISTANT PAINT.**

3. Attach the Chase Top to the top of the chase according to the Installation Instructions packaged with the CT56 Chase Top.
4. Loosen the bolt on the Storm Collar and slide it down over the Pipe to the Chase Top. Tighten the bolt and seal around the Collar.
5. Attach and secure either a Round or Square Terminal Cap.

## OPERATING INSTRUCTIONS

#### NOTICE

**SAVE AND PASS THESE OPERATING INSTRUCTIONS AND THE INSTALLATION INSTRUCTIONS TO SUBSEQUENT OWNERS. THE INFORMATION PROVIDED IS INTENDED TO NOTIFY AND WARN THEM ABOUT MAKING UNSAFE FUTURE MODIFICATIONS SUCH AS THE ADDITION OF SHELVES OR THE USE OF UNAUTHORIZED PARTS AND REPAIRS.**

#### CAUTION

**EDGES ARE SHARP. HAND PROTECTION IS RECOMMENDED.**

Before starting a fire in your new or existing fireplace, use the following check list:

- A. **FLUE DAMPER.** When the lever is free to slide, not locked on the front face, the lever should move toward the full open position. Verify by looking up from the inside of the firebox. Then lock it in this full open position. Always operate this fireplace with the damper fully open. Please note, downdrafts, obstructions, damage or poor (wet) fuels can cause smoke spillage.

#### WARNING

**DO NOT MODIFY DAMPER BY PROVIDING INTERMEDIATE NOTCHES NOT SUPPLIED BY THE FACTORY. THIS CAN RESULT IN SEVERE OVERTEMPERATURES AND POSSIBLE FIRE. THE FIREPLACE MUST BE OPERATED WITH THE DAMPER IN THE FULL OPEN POSITION.**

B. **CHIMNEY INSPECTION.** Visually inspect the chimney internally for obstructions and construction damage. Flue pipe joints and seams must be continuous and mechanically tight. In a used chimney, additional inspection is needed for the following:

**"Creosote - Formation and Need for Removal.**

When wood is burned slowly, it produces tar and other organic vapors, which combine with expelled moisture to form creosote. The creosote vapors condense in the relatively cool chimney flue of a slow-burning fire. As a result, creosote residue accumulates on the flue lining. When ignited, this creosote makes an extremely hot fire.

The chimney should be inspected at least twice monthly during the heating season to determine if creosote build-up has occurred.

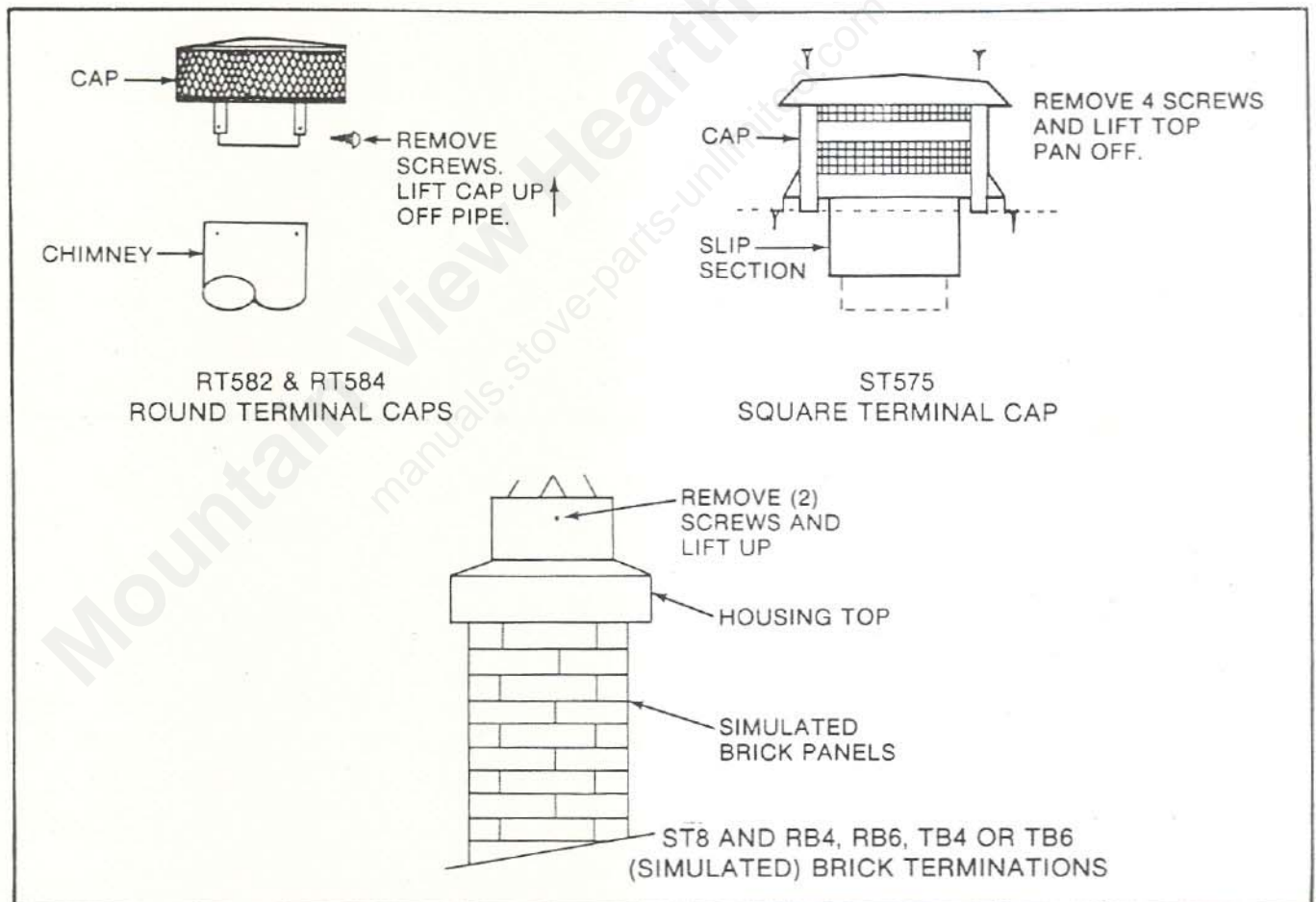
If creosote has accumulated, it should be removed to reduce the risk of a chimney fire."

C. **CHIMNEY CLEANING.** If you do detect a build-up of creosote, contact a qualified chimney sweep or clean it yourself.

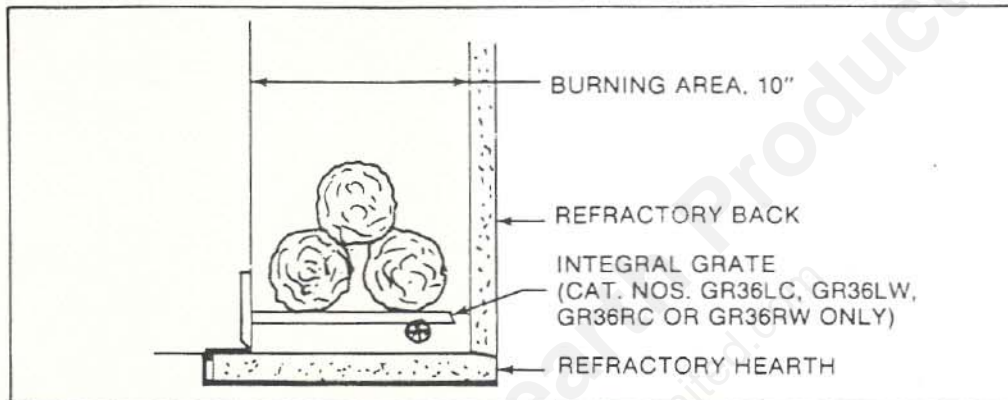
1. Open damper.
2. Hang a damp sheet across the fireplace opening to stop dirt and soot from entering the room.
3. Remove Terminal Cap or Housing Top. See Figure 1.
4. Clean with a stiff bristled brush attached to a pole. Work up and down flue until clean.

OR

- 4A. Tie a rope to a burlap bag filled with straw and several stones. Work up and down the flue until clean.
5. Replace the Terminal Cap or Housing Top.



- D. **CLEAR SPACE NEAR FIREPLACE.** The front Hearth Extension must extend at least 16 inches to the front of the firebox. The side Hearth Extension must butt the front Hearth Extension on one end (open side of fireplace), and be flush with the front edge of the front Hearth Extension. See Section III of the Installation Instructions for detailed clear space requirements. Combustible materials must not be stored in this area. Room furnishings such as drapes, curtains, chairs, or other combustibles must be at least 4 feet from the open front or side of the fireplace.
- E. **GRATE.** The factory installed Integral Grate must be used to hold the logs from falling out of an open fireplace and to allow air to pass between the burning logs. It is important to keep the fire off the hearth and to allow the ashes to collect beneath the fire, thereby forming a layer of additional heat protection. See Figure 2. Use only Catalog Number GR36LC or GR36LW (for L.H. fireplace), or GR36RC or GR36RW (for R.H. fireplace) Integral Grate for replacement.



**Figure 2**  
Section Through Fireplace

- F. **FIRESCREEN.** A firescreen is always provided to control sparks. It must be closed whenever the fireplace is in use. Glass Doors or firescreens must not be used to hold burning material inside the fireplace as might occur when overfilling the fireplace with empty boxes or branches. Only those Glass Door units specifically tested and listed for use with the specific fireplace model should be used. Screens should be closed when the Glass Doors are closed.
- G. **OUTSIDE AIR.** A damper allows control of the Outside Air inlet if your fireplace is equipped with this option. In a tightly sealed or well insulated home, replacement of combustion air is necessary to keep harmful gases from entering living spaces.

#### CAUTION

**FIREPLACE OPERATION DOES REQUIRE AIR. DO NOT TAKE AIR FROM OTHER FUEL BURNING APPLIANCES WHICH CAN RESULT IN IMPROPER VENTING (SMOKING) OR AIR DILUTION. ALWAYS PROVIDE ADEQUATE MAKE-UP AIR.**

- H. **SETTING THE FIRE.** Check the flue damper to be sure it is fully open. Place crumpled or twisted paper under the Grate. Loosely arrange kindling or small pieces of wood to form a layer above the paper. Place three logs in a rough pyramid as shown in Figure 2, being sure to allow free air space between the logs. Small sticks of wood may be used to separate the logs. **NOTE:** When heated the first time, the temperature of the fireplace must be raised gradually, to prevent moisture within the refractory from causing cracks, and to allow the binders in the insulation to dissipate.

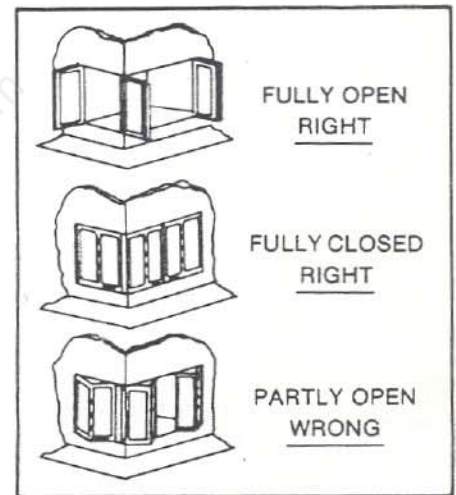
### CAUTION

**NEVER USE GASOLINE, GASOLINE-TYPE LANTERN FUEL, KEROSENE, CHARCOAL LIGHTER FLUID, OR SIMILAR LIQUIDS TO START OR 'FRESHEN UP' A FIRE IN THIS FIREPLACE. KEEP ALL SUCH LIQUIDS WELL AWAY FROM THE FIREPLACE WHILE IT IS IN USE TO AVOID THE RISK OF FIRE.**

- I. **DISPOSAL OF ASHES.** Ashes should be placed in a metal container with a tight-fitting lid. The closed container of ashes should be placed on a non-combustible floor or on the ground, well away from all combustible materials, pending final disposal. If the ashes are disposed of by burial in soil or otherwise locally dispersed, they should be retained in the closed container until all cinders have thoroughly cooled.
- J. **GLASS DOORS.** Most efficient fireplace operation using Glass Doors is with the Doors open, as can be felt when standing in front of the fireplace. When not burning the fireplace, Glass Doors will prevent loss of room heat through the chimney. Only HEATILATOR® Glass Doors, Catalog Numbers GL36A, GL36B, GL36T, GD36L, GR36A, GR36B, GR36T or GD36R, may be used.

### WARNING

**FIREPLACES EQUIPPED WITH FRONT DOORS SHOULD BE OPERATED ONLY WITH DOORS FULLY OPEN OR DOORS FULLY CLOSED. IF DOORS ARE LEFT PARTLY OPEN, GAS AND FLAME MAY BE DRAWN OUT OF THE FIREPLACE OPENING, CREATING RISKS OF BOTH FIRE AND SMOKE.**



GLASS DOORS

- K. **OPERATING YOUR FIREPLACE.**

### WARNING

**CONTINUED OVERFIRING CAN PERMANENTLY DAMAGE YOUR FIREPLACE SYSTEM. EXAMPLES OF OVERFIRING ARE:**

- 1. QUANTITIES OF SCRAP LUMBER, PINE BRANCHES OR CARDBOARD BOXES WHICH EXCEED THE VOLUME OF THE "NORMAL LOG FIRE". THESE MATERIALS PRODUCE MANY SPARKS AND MUST NOT BE USED.**
- 2. THE "NORMAL LOG FIRE" IS THREE LOGS, EACH FOUR INCHES IN DIAMETER, WITH THE LENGTH NO GREATER THAN THE BACK WALL OF THE FIREPLACE. THE RATE OF FIRING MUST NOT EXCEED THESE THREE LOGS PER HOUR.**

- L. **SAFETY - A FINAL WORD.** Fireplaces as well as other woodburning appliances have been used safely for many years. Our own experience is that most problems are caused by improper installation, fueling, and operating. All dimensions specified are minimum and increasing distances to combustibles decreases risk. Such common practice as surrounding the fireplace with loose fill insulation, and especially leaving the fire unattended, will increase the risk of fire.

## CL36A/CR36A REFRACTORY REPLACEMENT INSTRUCTIONS

1. Remove all (12) screws (see #1 on drawing) holding the smokesield in place, allowing the smokesield to be removed and set aside. Screws are found on the front and side face.
2. Remove the refractory retainer (2 screws) at the top edge of the side refractory.
3. Remove the vertical refractory cover strip (see #2 on drawing) that covers the front edge of the side refractory.
4. Remove the vertical refractory cover strip that covers the outside edge of the back refractory.
5. Unscrew the 2 "I" bolts that hold the grate in place.
6. Remove the back refractory by pulling forward and up.
7. Remove the side refractory by pulling and lifting it toward the center of the firebox.
8. If necessary, lift the hearth refractory up to remove.
9. Reverse this procedure for installation of the replacement piece(s).

