



Heatilator Inc.  
1915 W. Saunders Street  
Mt. Pleasant, IA 52641  
Division, HON INDUSTRIES

**This appliance has been retired.  
Service parts pages within have been removed.  
For replacement parts, please refer to the individual  
service parts list located on the brand websites.**

# CM36 INSTALLATION & OPERATING INSTRUCTIONS FOR MOBILE HOME USE

## I. LISTINGS AND CODE APPROVALS

This fireplace system has been tested in accordance with Underwriters Laboratories Inc. Standards, and has been LISTED by them for installation and operation as described in these Installation & Operating Instructions.

Fireplace Catalog Number CM36 has been tested and LISTED for use with the Optional Components described in Section II of these Instructions. These Optional Components may be purchased separately and installed at a later date.

Check with your local building code agency before you begin installation to ensure compliance with local codes, including the need for "permits" and follow-up inspections. If any problems are encountered regarding code approvals, or if you wish clarification of any of the instructions contained here, contact: Customer Relations Department, Heatilator Inc., 1915 W. Saunders Street, Mt. Pleasant, Iowa 52641. HEATILATOR® is a registered trademark of Heatilator Inc., Division, HON INDUSTRIES.

### WARNING

**THIS HEATILATOR FIREPLACE AND ITS COMPONENTS ARE DESIGNED TO BE INSTALLED AND OPERATED AS A SYSTEM. ANY ALTERATION TO OR SUBSTITUTION FOR ITEMS IN THIS SYSTEM UNLESS ALLOWED BY THESE INSTALLATION INSTRUCTIONS WILL VOID THE UNDERWRITERS LABORATORIES LISTING AND MAY VOID THE PRODUCT WARRANTY. IT MAY ALSO CREATE A HAZARDOUS INSTALLATION. READ THROUGH THESE INSTRUCTIONS THOROUGHLY BEFORE STARTING YOUR INSTALLATION AND FOLLOW THEM CAREFULLY THROUGHOUT YOUR PROJECT.**

## II. DESCRIPTION OF THE FIREPLACE SYSTEM

The HEATILATOR® fireplace system consists of the following:

1. Fireplace
2. Hearth Extension
3. Glass Doors
4. Integral Grate
5. Outside Combustion Air System
6. Chimney System
7. Roof Termination
8. Heat Circulating Fan

Catalog Number CP311 has been established for the convenience of customers wishing to install a chimney system at the 11 foot minimum straight height. The following combination of listed parts are included:

SL324	Qty. 1	Chimney Section - 24 inches long
SL336	Qty. 2	Chimney Section - 36 inches long
AK16	Qty. 1	Air Kit - Outside Air
MH842	Qty. 1	Roof Thimble & Flashing
RT384	Qty. 1	Chimney Terminal Cap
UD6	Qty. 1	Uninsulated Duct/Outside Air

### THE FIREPLACE SYSTEM COMPONENTS

Catalog Number	Description
CM36	Fireplace
HX3	Hearth Extension
GD36B	Glass Doors - Clear-View, Bright Solid Brass (included with Fireplace)
GR36A00	Integral Grate (included with Fireplace)
FK2	Fan Kit (Single Fan)
AK16	Air Kit - Outside Air
UD6	Uninsulated Duct/Outside Air
CP311	Mobile Home Convenience Pack
SL306	Chimney Section - 6 inch long
SL312	Chimney Section - 12 inch long
SL318	Chimney Section - 18 inch long
SL324	Chimney Section - 24 inch long
SL336	Chimney Section - 36 inch long
SL348	Chimney Section - 48 inch long
SL315	Chimney Offset/Return - 15°
SL330	Chimney Offset/Return - 30°
JB877	Chimney Joint Band
CB876	Chimney Bracket
RT364	Chimney Terminal Cap - Round
RT364S	Chimney Terminal Cap, Stainless Steel - Round
RT384	Chimney Terminal Cap - Round
MH842	Mobile Home Roof Thimble and Flashing
MH840	Telescoping Thimble Extension

### III. CONSTRUCTION REQUIREMENTS

#### WARNING

1. DO NOT INSTALL IN SLEEPING ROOM.
2. COMBUSTION AIR NEEDS OF A HEAVILY FIRED UNIT MAY DEplete THE AVAILABLE OXYGEN SUPPLY.

#### CAUTION

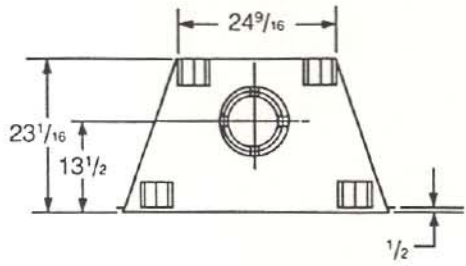
**THE STRUCTURAL INTEGRITY OF THE MOBILE HOME FLOOR, WALL, CEILING/ROOF MUST BE MAINTAINED.**

The fireplace must be secured to the Mobile Home structure to prevent the fireplace from shifting during transportation. Do this by nailing through the side flanges provided on the fireplace.

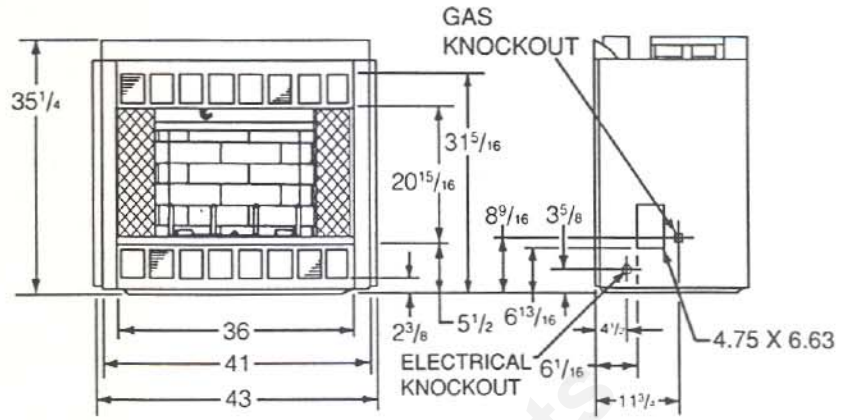
#### WARNING

**FOR ALL MOBILE HOME INSTALLATIONS, THE AK16 OUTSIDE AIR KIT, GD36B GLASS DOOR KIT AND MH842 MOBILE HOME ROOF THIMBLE AND FLASHING KIT, MUST BE USED.**

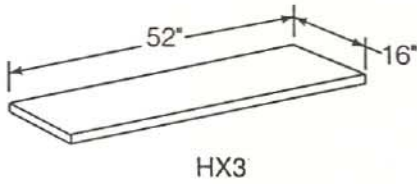
**CM36 FIREPLACE**



ALL DIMENSIONS IN INCHES

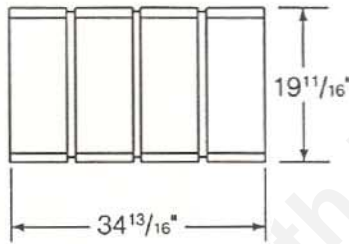


**HEARTH EXTENSION**



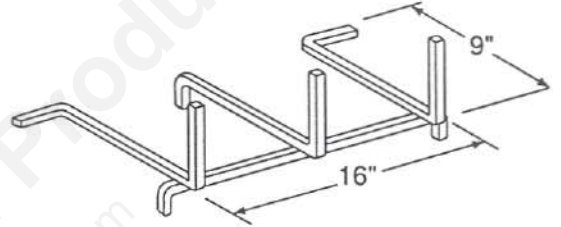
HX3

**GLASS DOORS**



GD36B

**INTEGRAL GRATE**



GR36A00

**FAN KIT**

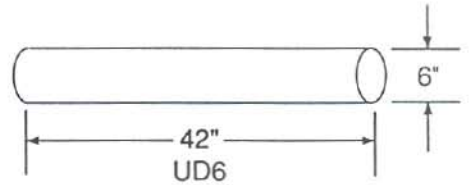


FK2

**AIR KIT**

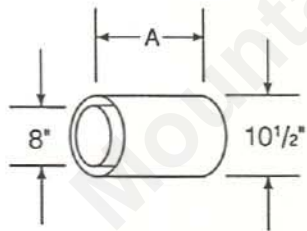


AK16



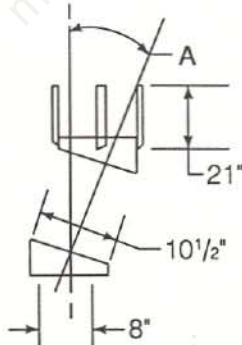
UD6

**CHIMNEY SECTIONS**



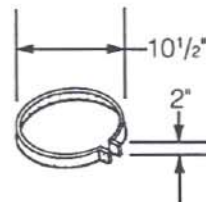
CAT. NO.	A
SL306	6"
SL312	12"
SL318	18"
SL324	24"
SL336	36"
SL348	48"

**OFFSETS/RETURNS**



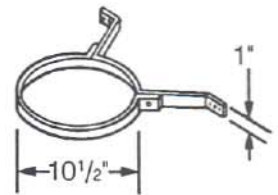
CAT. NO.	A
SL315	15°
SL330	30°

**JOINT BAND**



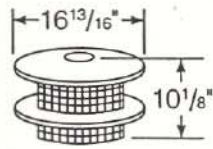
JB877

**CHIMNEY BRACKET**

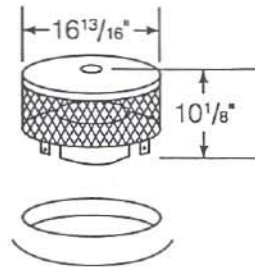


CB876

## CHIMNEY TERMINAL CAPS



RT364 & RT364S

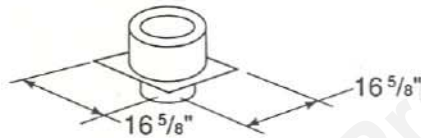


RT384

## MOBILE HOME ROOF THIMBLE AND FLASHING



MH842



MH840

## THIMBLE EXTENSION



## IV. FIREPLACE LOCATIONS, SPACE AND CONSTRUCTION REQUIREMENTS

The fireplace may be located as shown in Figure 1.

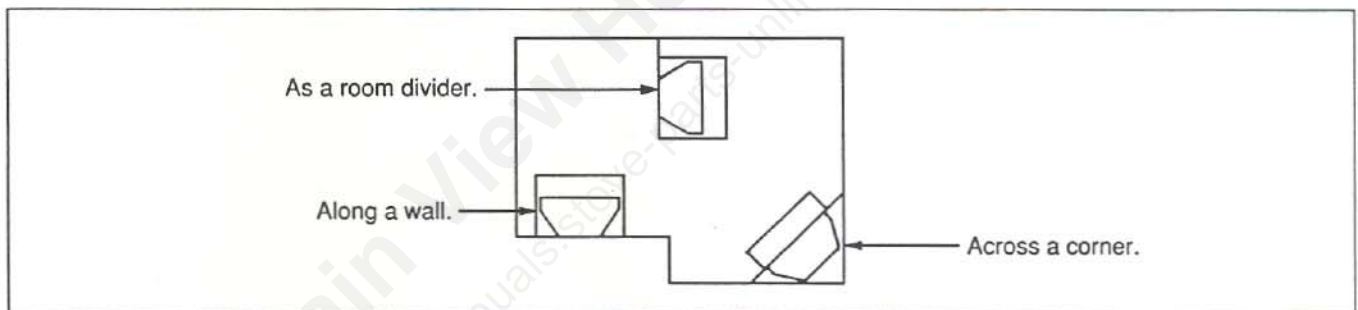


Figure 1  
Fireplace Locations

Figures 2 and 3 show installations assuming outside air ducts with allowance for making 90° bends. Less space is required when ducting goes directly outside without forming elbows.

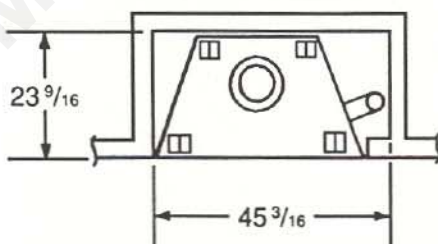


Figure 2  
Installation along a wall or  
an exterior chase.

ALL DIMENSIONS IN INCHES

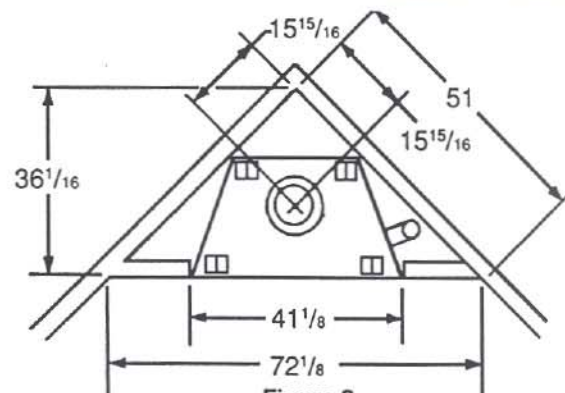


Figure 3  
Corner Installation

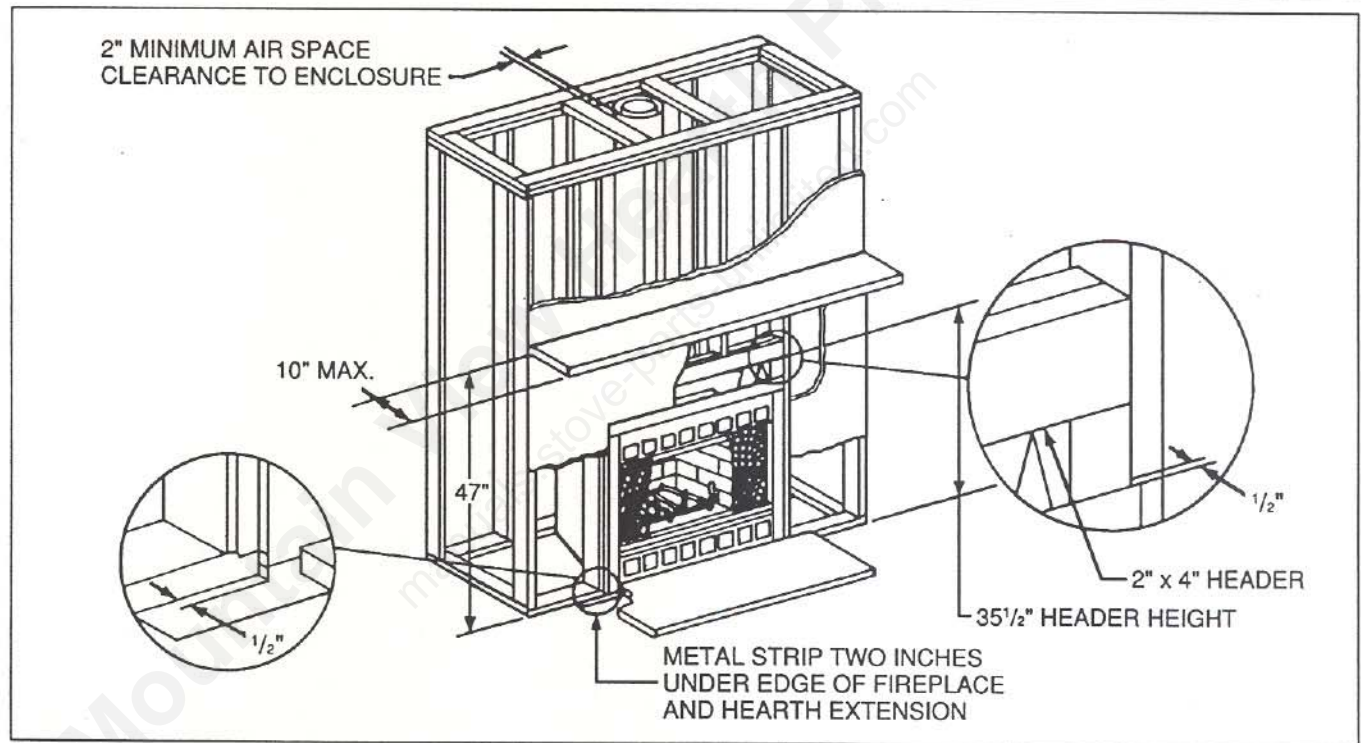
**WARNING**

**DO NOT INSTALL OUTSIDE AIR DUCTS SUCH THAT THE AIR MAY BE DRAWN FROM ATTIC SPACES, OR ABOVE THE ROOFING WHERE OTHER HEATING APPLIANCES OR FANS AND CHIMNEYS EXHAUST OR UTILIZE AIR. THESE PRECAUTIONS WILL REDUCE THE POSSIBILITY FOR SMOKING OR FLOW REVERSAL.**

Figure 4 shows the framing of the fireplace, assuming combustible materials are used. The vertical framing must extend from floor to ceiling, with no horizontal members projecting from front to back above the fireplace, except at the ceiling level. Chimney Sections at any level require a minimum air space of two inches to the enclosure, including any framing, for the total chimney height.

**WARNING**

**TO PREVENT CONTACT WITH SAGGING OR LOOSE INSULATION, THE FIREPLACE MUST NOT BE INSTALLED AGAINST VAPOR BARRIERS OR EXPOSED INSULATION. LOCALIZED OVERHEATING COULD OCCUR AND A FIRE COULD RESULT.**



**Figure 4**  
Framing the Fireplace

After completing the framing and after applying the facing material over the framing, a non-combustible sealant, one-half inch wide maximum, must be used to close off any gaps at the top and sides between the fireplace and facing, to prevent cold air leaks.

**WARNING**

**DO NOT APPLY FINISH MATERIALS OVER THE BOTTOM AIR INLET SLOTS NEAR THE GLASS DOOR OPENING ON THE FACE OF THESE FIREPLACES. THIS WILL BLOCK THE FLOW OF COOLING AIR AND MAY CAUSE DANGEROUSLY HIGH TEMPERATURES ON COMBUSTIBLE SURFACES OR ON THE FIREPLACE ITSELF.**

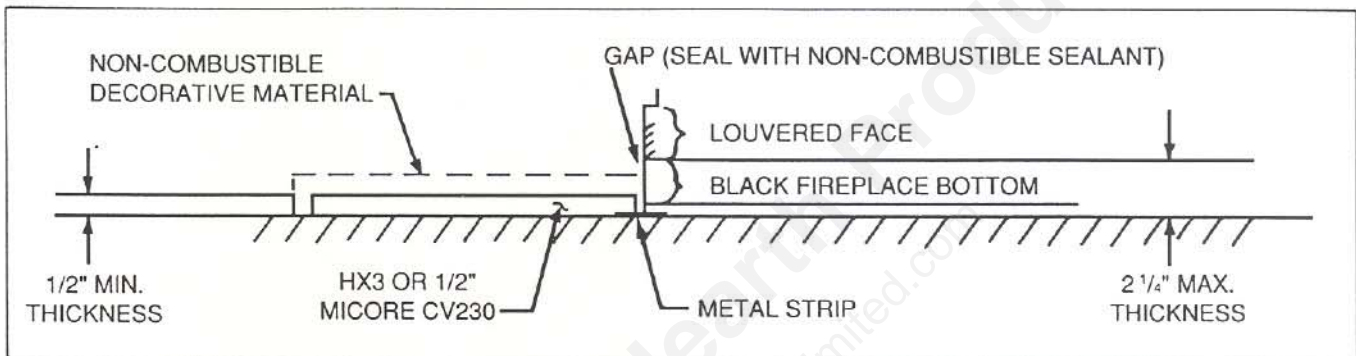
Non-combustible materials may be used to cover the black non-louvered fireplace front, but must not restrict the air flow to or from the front of the unit in any manner. The following is a description of materials specified in these Instructions:

**Combustible Material.** Material made of or surfaced with wood, compressed paper, plant fibers, plastics, or other material that will ignite and burn, whether flameproofed or not, or whether plastered or unplastered.

**Non-combustible Material.** Material which will not ignite and burn, such materials consisting entirely of steel, iron, brick, tile, concrete, slate, asbestos, glass or plasters, or combination thereof.

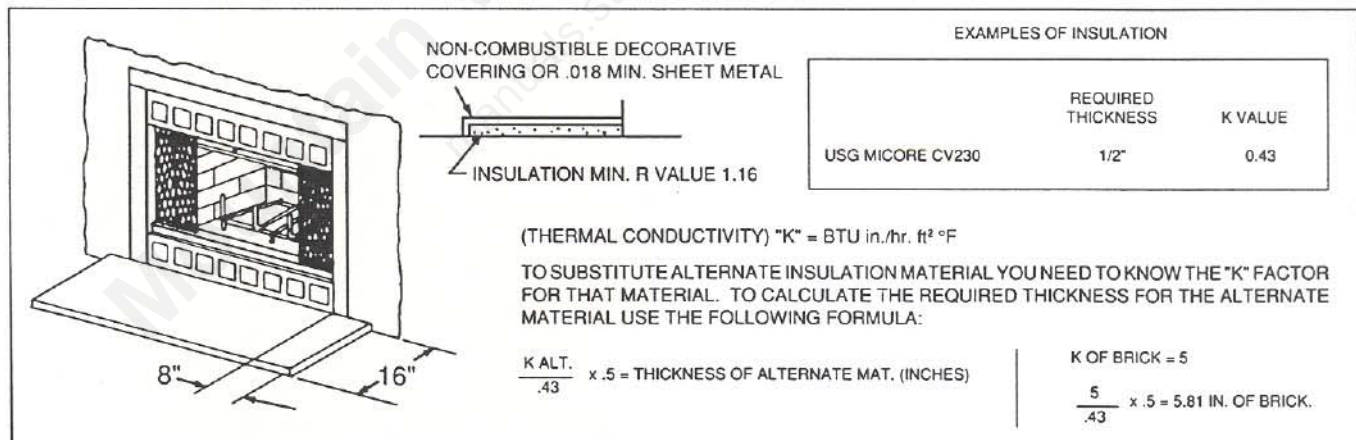
**Non-combustible Sealant Material.** General Electric RTV103 (Black), or equivalent. Rutland, Inc. Fireplace Mortar #63, or equivalent.

A Hearth Extension must be installed in front of the fireplace opening to protect the combustible floor in front of the fireplace. The Hearth Extension must not block the lower fireplace louvered face. See Figure 5. The Hearth Extension must have a minimum thickness of 1/2 inch and can have a maximum thickness of 2 1/4 inches.



**Figure 5**  
Factory-Built Hearth Extension

Figure 6 provides alternative construction techniques that may be utilized in constructing the Hearth Extension. In all cases, the Hearth Extension must extend at least 16 inches to the front and 8" on either side of the fireplace opening. All gaps between the Hearth Extension and the fireplace front must be sealed with a non-combustible sealant.



**Figure 6**

**WARNING**

**HEARTH EXTENSIONS ARE TO BE INSTALLED ONLY AS ILLUSTRATED TO PREVENT HIGH TEMPERATURES FROM OCCURRING ON CONCEALED COMBUSTIBLE MATERIALS. METAL STRIPS PREVENT BURNING OR HOT PARTICLES FROM INADVERTENTLY FALLING DIRECTLY ON COMBUSTIBLE SURFACES IN THE EVENT THE BUILDING SHOULD SETTLE AND DISTURB THE ORIGINAL CONSTRUCTION.**

## SIDEWALLS/SURROUNDS

Adjacent combustible side walls must be located a minimum of 18" from the fireplace opening. See Figure 7. If using a decorative surround of combustible material, it must be located within the shaded angle area defined in Figure 7. Short stub walls are also acceptable if they are contained in the shaded area.

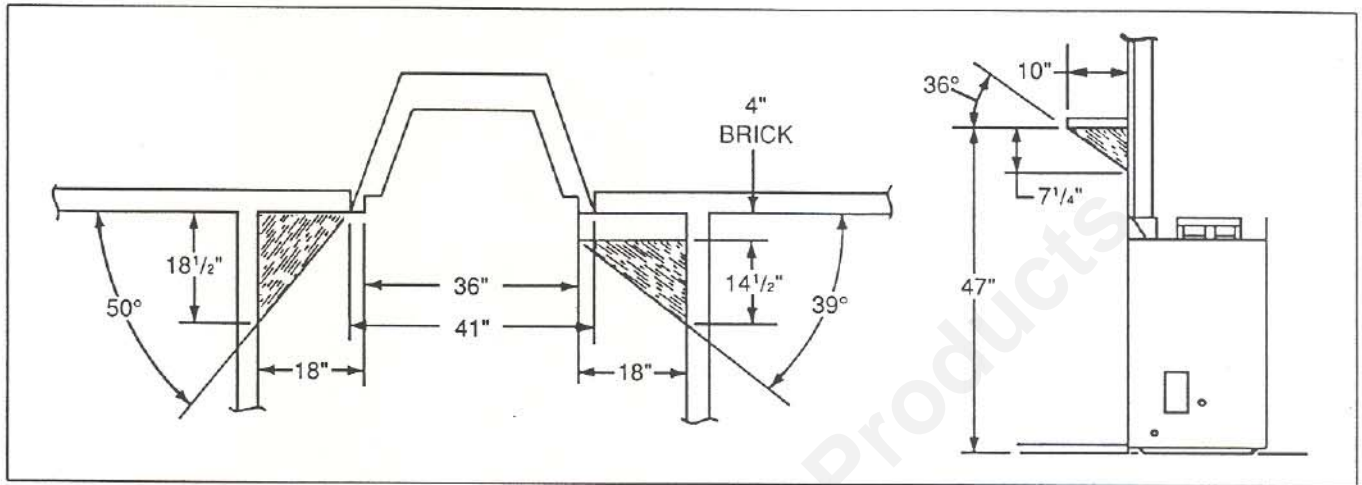


Figure 7

## MANTEL

A mantel of combustible material may be installed no less than 47" above the platform or floor upon which the fireplace is located. The mantel may extend no more than 10" from the wall. Decorative combustible materials, such as a surround or mantel support brackets may be located within the shaded area defined in Figure 7. Mantels of depths less than 10" can be located at lower heights if the entire mantel is contained within the shaded area.

## V. CHIMNEY REQUIREMENTS

When planning your fireplace location, the chimney construction and necessary clearance must be considered. The fireplace system and chimney components have been tested to provide the following flexibility in construction.

Minimum straight height	11 ft.*
Minimum height with Offset/Return	14.5 ft.
Maximum height	20 ft.

\*Due to the nature of Mobile Homes, more height may be required for proper operation.

## OFFSET INSTALLATIONS

To clear any overhead obstructions, the chimney may be offset using a 15° Offset/Return, Catalog Number SL315, or 30° Offset/Return, Catalog Number SL330. Figure 8 and Table 1 enable selection of the appropriate chimney components when using Offsets and Returns.

1. Determine amount of offset required to extend the chimney through a wall or around an obstacle. See Figure 8, dimension "A".
2. Refer to Table 1 and find the "A" dimension closest to but not less than the amount of offset required in your installation.

### WARNING

**DO NOT COMBINE OFFSETS TO CREATE AN OFFSET GREATER THAN 30° FROM VERTICAL. THIS MAY CREATE A FIRE HAZARD SINCE THE NATURAL DRAFT MAY BE RESTRICTED.**

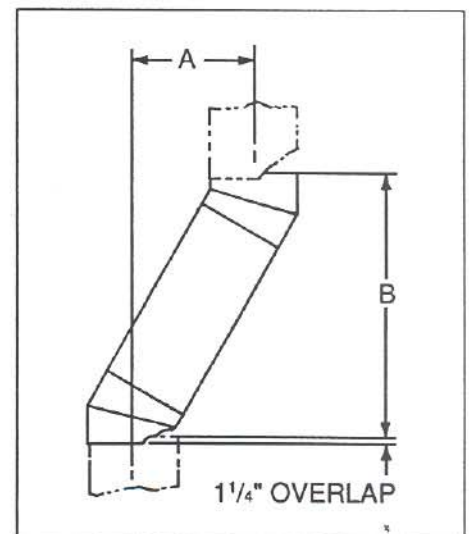


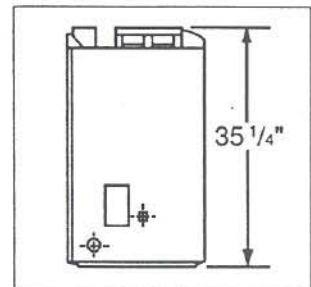
Figure 8  
Chimney Offset/Return

- Find the "B" dimension in Table 1 and determine if it is compatible with your installation.
- Read across the chart and find the Catalog Number and number of Chimney Sections required.
- Refer to Section VI., Step-By-Step Installation of the Fireplace System.
- All joist areas must be Firestopped.

**TABLE 1**

Offset Chart				(Dimensions in inches)					
15°		30°		SL306	SL312	SL318	SL324	SL336	SL348
A	B	A	B						
1 5/8	13 3/8	3 7/8	14 7/16	—	—	—	—	—	—
2 7/8	17 3/4	6 1/4	18 9/16	1	—	—	—	—	—
—	—	8 5/8	22 11/16	2	—	—	—	—	—
4 7/16	23 9/16	9 1/4	23 3/4	—	1	—	—	—	—
—	—	11 5/8	27 7/8	1	1	—	—	—	—
6	29 3/8	12 1/4	28 15/16	—	—	1	—	—	—
7 3/16	34	14 5/8	33 1/16	—	2	—	—	—	—
—	—	15 1/4	34 1/8	—	—	—	1	—	—
—	—	17 5/8	38 1/4	1	—	—	1	—	—

Figure 9 illustrates the height from the bottom of the fireplace to the top of the Chimney Starter Section. Proper assembly of Air Cooled Chimney Sections results in an overlap at chimney joints of 1 1/4".

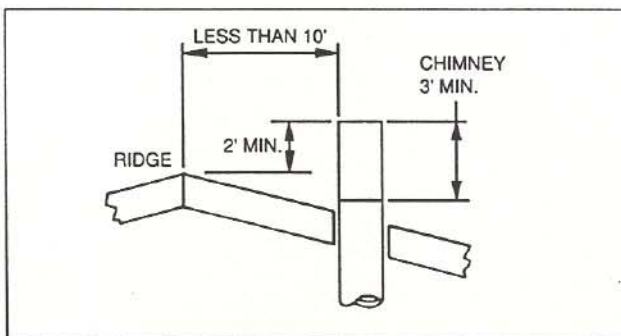


**Figure 9**  
Fireplace (Side View)

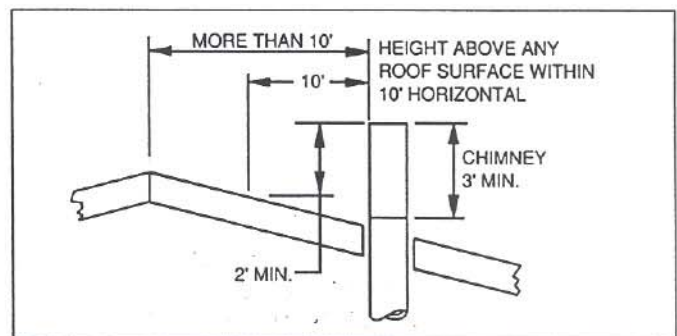
Major building codes specify a minimum chimney height above the roof top. These specifications are summarized in what is known as the "Ten Foot Rule". This rule states:

- If the horizontal distance from the side of the chimney to the peak of the roof is 10 feet or less, the top of the chimney must be at least 2 feet above the peak of the roof, but never less than 3 feet in height above the highest point where it passes through the roof. See Figure 10.
- If the horizontal distance from the side of the chimney to the peak of the roof is more than 10 feet, a chimney height reference point is established on the surface of the roof a distance of 10 feet from the side of the chimney in a horizontal plane. The top of the chimney must be at least 2 feet above this reference point, but never less than 3 feet in height above the highest point where it passes through the roof. See Figure 11.

These chimney heights are necessary in the interest of safety and do not assure smoke-free operation. Trees, buildings, adjoining roof lines, adverse wind conditions, etc., may require a taller chimney should smoking occur.



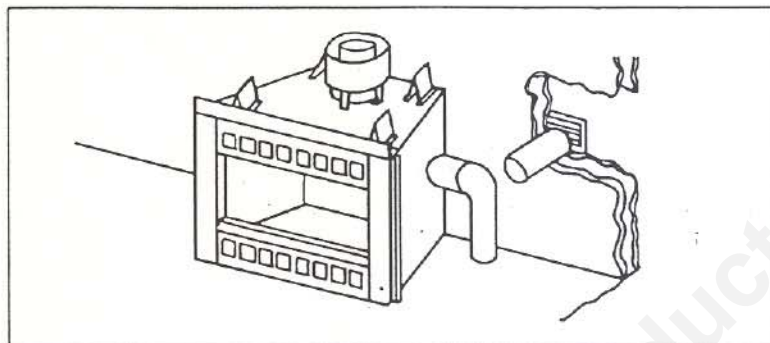
**Figure 10**  
Chimney Height



**Figure 11**  
Chimney Height

For Outside Combustion Air, Figure 12 illustrates only two of many possible locations - a fireplace with a vertical outside air arrangement, and a horizontal, direct exit from the fireplace side.

**NOTE: A 1' minimum height difference must be maintained from the top of the uppermost Chimney Section to the Outside Combustion Air inlet.**



**Figure 12**  
Outside Air Location

## VI. STEP-BY-STEP INSTALLATION OF THE FIREPLACE SYSTEM

### WARNING

**BEFORE STARTING, DO THE FOLLOWING:**

- 1. WEAR GLOVES AND SAFETY GLASSES FOR PROTECTION.**
- 2. KEEP HAND TOOLS IN GOOD CONDITION. SHARPEN CUTTING EDGES AND MAKE SURE TOOL HANDLES ARE SECURE.**
- 3. ALWAYS MAINTAIN THE MINIMUM AIR SPACE REQUIRED TO THE ENCLOSURE TO PREVENT FIRE.**

**STEP 1**

Position the fireplace in the desired location and frame.

**STEP 2**

Slide the metal strip two inches under the front edge of the fireplace. See Figure 4. When the metal strip is not provided as a single piece, then the individual pieces must overlap each other by one inch.

**STEP 3**

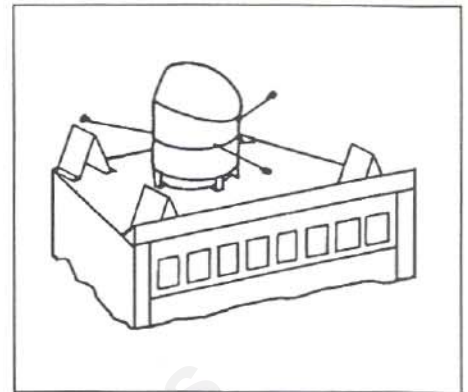
Level the fireplace side-to-side and front-to-back. Shim with non-combustible material as necessary. Secure the fireplace by utilizing the nailing flanges located on either side of the fireplace.

### WARNING

**CAREFULLY FOLLOW THE INSTRUCTIONS FOR ASSEMBLY OF THE PIPE AND OTHER PARTS NEEDED TO INSTALL THIS FIREPLACE SYSTEM. FAILURE TO DO SO MAY RESULT IN A FIRE, ESPECIALLY IF COMBUSTIBLES ARE TOO CLOSE TO THE FIREPLACE OR CHIMNEY AND AIR SPACES ARE BLOCKED PREVENTING THE FREE MOVEMENT OF COOLING AIR.**

**STEP 4**

Assemble either a straight Pipe Section or an Offset to the top of the fireplace. Chimney Sections are locked together by pushing downward until the section meets the stop bead on the section below. When using Offsets/Returns, the Offset and Return sections should be secured in place with screws to insure proper orientation. See Figure 13.



**Figure 13**  
Offset Secured to Fireplace

**CAUTION**

**INNER FLUE AND OUTER LINER SECTIONS CANNOT BE DISASSEMBLED ONCE LOCKED TOGETHER. PLAN AHEAD TO INSURE PROPER INSTALLATION HEIGHT IS ACHIEVED WITH THE SELECTED CHIMNEY COMPONENTS.**

**STEP 5**

When Offsets/Returns are joined to straight Pipe Sections, they must be locked in position with the size 10 sheet metal screws provided, using the predrilled holes. Offsets/Returns have straps for securing these parts to joists or rafters. Plumbers tape may be purchased locally and used in conjunction with Joint Bands to secure the chimney as an alternate method. Chimney Brackets may be used to stabilize the chimney. See Figure 14.

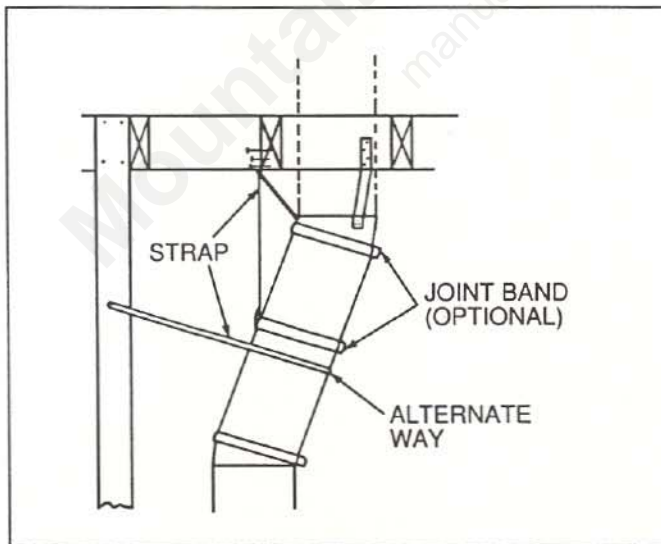
**NOTE: Be sure to provide intermediate support for the pipe during construction and check to be sure inadvertent loading has not dislodged the Pipe from the fireplace or at any chimney joint.**

**STEP 6**

Locate the point where the chimney will exit the roof by plumbing down to the center of the chimney. Lay out, cut and frame a 14 1/2" square opening (measured on the horizontal) through the ceiling and roof structure.

**STEP 7**

Install the Roof Thimble and Flashing Kit (MH842). The Thimble must extend completely through the roof structure shielding combustible materials. Catalog Number MH840 Telescoping Thimble Extension is required when the ceiling/roof thickness exceeds 7". The Extension should overlap the Thimble 1".



**Figure 14**  
Chimney with Stabilizer



**Figure 15**

**STEP 8**

To attach the Extension to the Thimble, drill 1/8" holes through the outer shield of the Thimble using the predrilled holes in the Extension as guides. Attach the Extension to the Thimble using the size 10 sheet metal screws provided with the Extension.

**STEP 9**

Install the Thimble assembly and nail it securely to the framing members. See Figure 15.

**WARNING**

- 1. DO NOT PACK INSULATION IN SPACES BETWEEN THE TWO SHIELDS OR ABOVE THE SHIELD INSIDE THE FLASHING. THIS MAY AFFECT TEMPERATURES TO ADJACENT COMBUSTIBLES.**
- 2. SEE FIREPLACE INSTALLATION INSTRUCTIONS FOR MINIMUM CHIMNEY HEIGHT ABOVE ROOF.**

**STEP 10**

Continue to add Chimney Sections through the roof opening.

**STEP 11**

Center the Flashing over the chimney and nail it to the roof using the "Stormguard" nails provided. Keep gaps between the flashing plate and the roof to a minimum. **NOTE: Roofing shingles must be below the flashing plate on the lower side of a sloped roof and over the flashing plate on the sides and top.**

**STEP 12**

Caulk the flashing plate and roof junction as well as the vertical seam on the Flashing. All nail heads must be caulked with a roofing sealant.

**STEP 13**

Finish assembling the Chimney, Storm Collar and Terminal Cap according to the individual instructions provided.

**WARNING**

**DETAIL INSTRUCTIONS FOR INSTALLATION OF THE STORM COLLAR AND TERMINAL CAP ARE FOUND PACKAGED WITH THESE PARTS. TO AVOID DANGER OF FIRE, ALL INSTRUCTIONS MUST BE STRICTLY FOLLOWED, INCLUDING THE PROVISION OF AIR SPACE CLEARANCE BETWEEN CHIMNEY SYSTEM AND COMBUSTIBLE ENCLOSURE. TO PROTECT AGAINST EFFECTS OF METAL CORROSION OF THE ABOVE PARTS, FIRST WASH THEM WITH A SOLVENT OR VINEGAR, RINSE WITH WATER, AND THEN PAINT WITH A RUST RESISTANT PAINT.**

**STEP 14**

Supplied with each fireplace is a Fan Kit. To wire the Fan Kit, remove the right side outside air cover plate secured by (4) screws and the junction box cover secured by (2) screws.

**STEP 15**

Remove the electrical knockout on the junction box. Attach the conduit connector to the end of the power supply conduit. Secure the conduit connector to the junction box with the lock nut provided.

**WARNING**

**DISCONNECT POWER BEFORE STRIPPING OR JOINING ANY SUPPLY WIRES. ONLY PERSONS QUALIFIED FOR MAKING ELECTRICAL INSTALLATIONS (ELECTRICIANS) AS RECOGNIZED BY LOCAL OR NATIONAL GOVERNMENTAL BODIES SHOULD ATTEMPT TO MAKE THE INCOMING SUPPLY WIRE CONNECTIONS.**

**EDGES ARE SHARP. HAND PROTECTION IS RECOMMENDED. RECHECK ALL FASTENERS BEFORE LEAVING JOB.**

**STEP 16**

Bring the supply wires into the junction box. Firmly attach the ground connector to the green headed screw and connect the supply wires to the lead wires using the wire nuts provided. See Figure 16.

**STEP 17**

Replace the junction box cover and the outside air cover plate.

**STEP 18**

Knockouts are provided on both sides of the fireplace to allow for connection of a decorative gas appliance, in accordance with the National Fuel Code, ANSI Z223.1-1980. The side refractories are designed to allow 1/2" iron pipe to pass through. Use a non-combustible sealant to seal any opening between the gas pipe and refractory on the inside. Repack the insulation removed, to seal around the gas pipe where it exits the side of the fireplace.

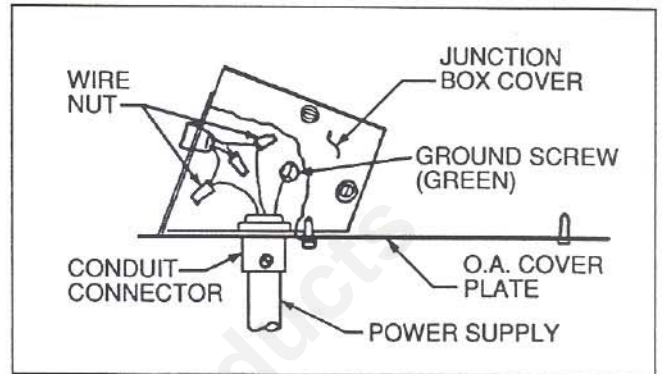


Figure 16

**CAUTION**

- 1. WHEN USING THE DECORATIVE APPLIANCE, THE FIREPLACE DAMPER MUST BE SET IN THE FULLY OPEN POSITION.**
- 2. A FULLY OPEN DAMPER ENSURES PROPER VENTING OF COMBUSTION PRODUCTS.**

**STEP 19**

Install Outside Air using the instructions supplied with the AK16 Air Kit. The use of Outside Air is required.

**STEP 20**

Complete the fireplace enclosure, allowing space for outside air ducts and gas piping if desired. Care must be taken with any electrical wiring to avoid exposure to high temperatures or mechanical damage to wire insulation. A minimum clearance of 1/2" must be maintained between the fireplace sides and the combustible enclosure.

**STEP 21**

Attach the firescreen to the fireplace side, utilizing the (2) hairpin clips from the enclosed fastener package. Use pliers to insert the clip through the last strand of screen wire and into the hole at midpoint of the fireplace side.

**STEP 22**

Remove the clear plastic protective covering over the brass channels at the top and bottom of each Glass Door panel. Adjust the Doors if needed, by repositioning the spring clips in the screw slots after loosening the screws and then retightening them. See Figure 17.

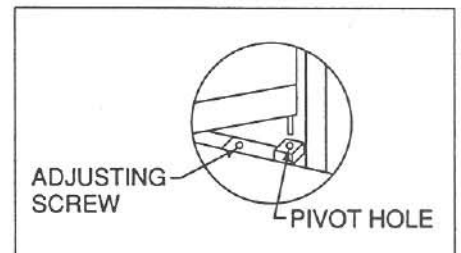


Figure 17

**STEP 23**

Position the Hearth Extension over the metal protective strip which should project two inches in front of the fireplace bottom front. See Figure 4. Seal the crack between the Hearth Extension and fireplace with a non-combustible sealant.

**STEP 24**

Apply the finish materials of your choice. Do not install combustible materials over the black face of the fireplace or louvered openings. You may use non-combustible material over the black - non-louvered - face of the fireplace. Refer to Figure 7 for combustible surround information.

**STEP 25**

This fireplace is equipped with a factory installed integral Grate. In the event it becomes necessary to replace it, remove the pin from the leg of the back bar, using a vise grip to pull it free. Lift the grate so the legs will come free of the retaining brackets. Your new Grate will be supplied with a new pin. Remove this pin and position the Grate into the brackets located at the rear of the firebox, and replace the pin into the leg of the Grate bar. Use only Catalog Number GR36A00 Integral Grate for replacement.

**STEP 26**

Prior to building your first fire in your fireplace, please read the "Operating Instructions" section that follows.

**WARNING**

**DO NOT PACK REQUIRED AIR SPACES WITH INSULATION OR OTHER MATERIALS. THIS PREVENTS THE NATURAL CONVECTION COOLING WHICH MUST TAKE PLACE. THE REQUIRED CLEARANCES ARE TO THE ENCLOSURE AND SHOULD NOT BE REDUCED BY THE ADDITION OF OTHER MATERIALS WHETHER OF NON-COMBUSTIBLE OR COMBUSTIBLE MATERIAL. COMBUSTIBLE MATERIALS AS WELL AS THE NON-COMBUSTIBLE MATERIALS USED IN THE FIREPLACE MAY HAVE THEIR USEFUL LIFE REDUCED.**

## OPERATING INSTRUCTIONS

**NOTICE**

**SAVE AND PASS THESE OPERATING INSTRUCTIONS AND THE INSTALLATION INSTRUCTIONS TO SUBSEQUENT OWNERS. THE INFORMATION PROVIDED IS INTENDED TO NOTIFY AND WARN THEM ABOUT MAKING UNSAFE FUTURE MODIFICATIONS SUCH AS THE ADDITION OF SHELVES OR THE USE OF UNAUTHORIZED PARTS AND REPAIRS.**

**CAUTION**

**EDGES ARE SHARP. HAND PROTECTION IS RECOMMENDED.**

Before starting a fire in your new or existing fireplace, use the following check list:

- A. FLUE DAMPER.** The flue damper is operated by moving the handle to the right, which should place the damper in the full open position. Verify by looking up from the inside of the firebox. Always operate this fireplace with the damper fully open. Please note, downdrafts, obstructions, damage or poor (wet) fuels can cause smoke spillage.

**WARNING**

**DO NOT OPERATE THE FIREPLACE WITH THE DAMPER RESTRICTED OR PARTIALLY CLOSED. THIS CAN RESULT IN SEVERE OVERTEMPORATURES AND POSSIBLE FIRE. THE FIREPLACE MUST BE OPERATED WITH THE DAMPER IN THE FULL OPEN POSITION.**

- B. CHIMNEY INSPECTION.** Visually inspect the chimney internally for obstructions and construction damage. Flue pipe joints and seams must be continuous and mechanically tight. In a used chimney, additional inspection is needed for the following:

"Creosote - Formation and Need for Removal:

When wood is burned slowly, it produces tar and other organic vapors, which combine with expelled moisture to form creosote. The creosote vapors condense in the relatively cool chimney flue of a slow-burning fire. As a result, creosote residue accumulates on the flue lining. When ignited, this creosote makes an extremely hot fire.

The chimney should be inspected at least twice a year during the heating season to determine if creosote build-up has occurred.

If creosote has accumulated, it should be removed to reduce the risk of a chimney fire."

**C. CHIMNEY CLEANING.** If you do detect a build-up of creosote, contact a qualified chimney sweep or clean it yourself.

1. Open the damper.
2. Hang a damp sheet across the fireplace opening to stop dirt and soot from entering the room.
3. Remove the Terminal Cap. See Figure 18.
4. Clean with a stiff bristled brush attached to a pole,

**OR,**

- 4A. Tie a rope to a burlap bag filled with straw and several small stones or sand. Work up and down the flue until clean.
5. Replace the Terminal Cap.

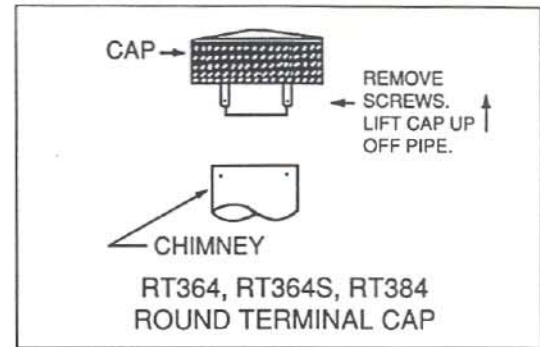


Figure 18

**D. CLEAR SPACE NEAR FIREPLACE.** The Hearth Extension must extend at least 16" to the front and 8" on either side of the firebox opening. Combustible materials must not be stored in this area. Combustible walls perpendicular to the front of the fireplace must be at least 18 inches from the fireplace opening. Room furnishings such as drapes, curtains, chairs, or other combustibles must be at least 4 feet from the open front of the fireplace.

**E. GRATE.** The factory installed Integral Grate must be used to hold the logs from falling out of an open fireplace and to allow air to pass between the burning logs. It is important to keep the fire off the hearth and to allow the ashes to collect beneath the fire, thereby forming a layer of additional heat protection. See Figure 19. Use only Catalog Number GR36A00 Integral Grate for replacement.

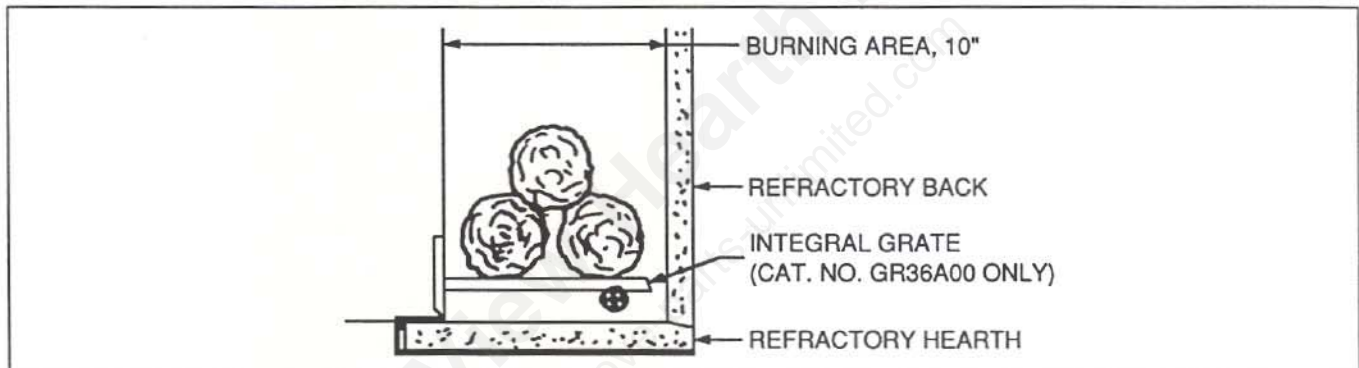


Figure 19

Section Through Fireplace

**F. FIRESCREEN.** A firescreen is always provided to control sparks. It must be closed whenever the fireplace is in use. Glass Doors or firescreens must not be used to hold burning material inside the fireplace as might occur when overfilling the fireplace with empty boxes or branches. Only those Glass Door units specifically tested and listed for use with the specific fireplace model should be used. Screens should be closed when the Glass Doors are closed.

**G. OUTSIDE AIR.** A damper allows individual control of the Outside Air inlet. In a tightly sealed or well insulated home, replacement of combustion air is necessary to keep harmful gases from entering living spaces.

#### CAUTION

**FIREPLACE OPERATION DOES REQUIRE AIR. DO NOT TAKE AIR FROM OTHER FUEL BURNING APPLIANCES WHICH CAN RESULT IN IMPROPER VENTING (SMOKING) OR AIR DILUTION. ALWAYS PROVIDE ADEQUATE MAKE-UP AIR.**

**H. SETTING THE FIRE.** Check the flue damper to be sure it is fully open. Place crumpled or twisted paper under the Grate. Loosely arrange kindling or small pieces of wood to form a layer above the paper. Place three logs in a rough pyramid as shown in Figure 19, being sure to allow free air space between the logs. Small sticks of wood may be used to separate the logs. **NOTE: When heated the first time, the temperature of the fireplace must be raised radually, to prevent moisture within the refractory from causing cracks, and to allow the binders in the insulation to dissipate.**

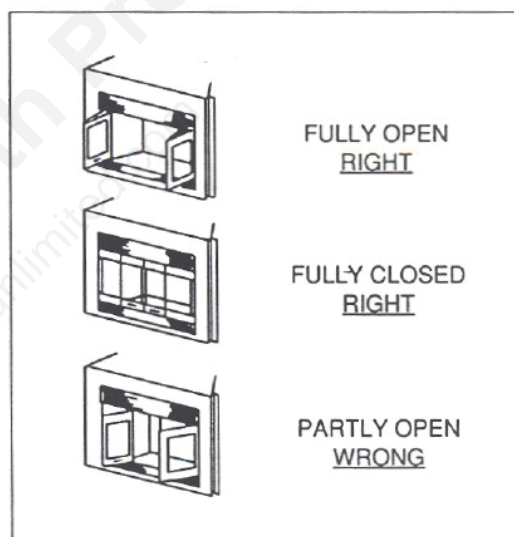
### CAUTION

NEVER USE GASOLINE, GASOLINE-TYPE LANTERN FUEL, KEROSENE, CHARCOAL LIGHTER FLUID, OR SIMILAR LIQUIDS TO START OR 'FRESHEN UP' A FIRE IN THIS FIREPLACE. KEEP ALL SUCH LIQUIDS WELL AWAY FROM THE FIREPLACE WHILE IT IS IN USE TO AVOID THE RISK OF FIRE.

- I. **DISPOSAL OF ASHES.** Ashes should be placed in a metal container with a tight-fitting lid. The closed container of ashes should be placed on a non-combustible floor or on the ground, well away from all combustible materials, pending final disposal. If the ashes are disposed of by burial in soil or otherwise locally dispersed, they should be retained in the closed container until all cinders have thoroughly cooled.
- J. **GLASS DOORS.** Most efficient fireplace operation using Glass Doors is with the Doors open. When the fireplace is not in use, Glass Doors will prevent loss of room heat through the chimney. Only HEATILATOR® Glass Doors, Catalog Number GD36B, may be used.

### WARNING

FIREPLACES EQUIPPED WITH DOORS SHOULD BE OPERATED ONLY WITH DOORS FULLY OPEN OR DOORS FULLY CLOSED. IF DOORS ARE LEFT PARTLY OPEN, GAS AND FLAME MAY BE DRAWN OUT OF THE FIREPLACE OPENING, CREATING RISKS OF BOTH FIRE AND SMOKE.



GLASS DOORS

### K. OPERATING YOUR FIREPLACE.

### WARNING

CONTINUED OVERFIRING CAN PERMANENTLY DAMAGE YOUR FIREPLACE SYSTEM. EXAMPLES OF OVERFIRING ARE:

1. QUANTITIES OF SCRAP LUMBER, PINE BRANCHES OR CARDBOARD BOXES WHICH EXCEED THE VOLUME OF THE "NORMAL LOG FIRE". THESE MATERIALS PRODUCE MANY SPARKS AND MUST NOT BE USED.
2. THE "NORMAL LOG FIRE" IS THREE LOGS, EACH FOUR INCHES IN DIAMETER, WITH THE LENGTH NO GREATER THAN THE BACK WALL OF THE FIREPLACE. THE RATE OF FIRING MUST NOT EXCEED THESE THREE LOGS PER HOUR.

L. **FAN KIT.** HEATILATOR® Heat Circulating Fans have been installed with this fireplace. An external ON/OFF switch is provided on the lower front face. This switch may be used to turn the fans on or off.

M. **SAFETY - A FINAL WORD.** Fireplaces as well as other woodburning appliances have been used safely for many years. Our own experience is that most problems are caused by improper installation, fueling, and operating. All dimensions specified are minimum and increasing distances to combustibles decreases risk. Such common practices as surrounding the fireplace with loose fill insulation, and especially leaving the fire unattended, will increase the risk of fire. Additionally, an annual inspection of all fireplace systems should be performed as, like any appliance, minor repairs may be required to maintain the system in top operating condition.



# *Attention* **Fireplace Installer:**

*Please return operating  
and installation  
instructions to the firebox  
for consumer use.*

**heatilator**  
*The first name in fireplaces*