



HEARTH & HOME technologies

Hearth & Home Technologies Inc. at 1-800-927-6841 or 1-888-427-3973 ◀
www.fireplaces.com

Part #: 26647

GENEVA GAS APPLIANCES; E-SERIES, EC-SERIES, RHW41, RHW47, RSW41 & RSW47 WOODBURNING FIREPLACES

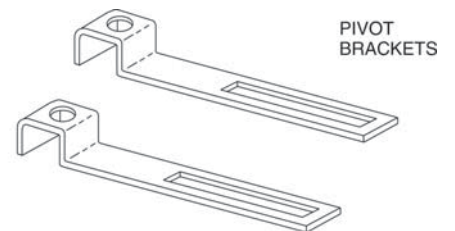
TECHNICAL SERVICES DOCUMENT DOOR INSTALLATION FOR FIREPLACES MANUFACTURED BEFORE JANUARY 20, 1997

DM1036
DM1036A
DM1036B

DM1039
DM1039A
DM1039B

DM1042
DM1042A
DM1042B

Part #	Description	Qty.
26578	Template	1
15294	Door Pin	2
15452	Pivot Bracket	2
12460	Screw	4
31116	Screw	2



1. Remove the screw and pin from the bottom of the door. Replace with the pin and screw in the enclosed fastener pack. Tighten screw. See Figure 1.
2. Attach the pivot bracket to the lower front face with the center of the hole approximately 1/2" from the side column. Tighten with two screws on each bracket. See Figure 2.

Note: If the two holes for the screws are not in the lower front face, you will have to drill four holes, each 1/8" in diameter. Use the template to locate the holes by placing the template flush against the lower front face and pushing tight against the column. See Figure 3. Be certain to use the correct holes for your fireplace size. Drill and attach the pivot brackets.

3. Install the door as shown in Figure 4.
4. Adjust the doors in the firebox opening by loosening the bracket screws and sliding the bracket in or out.

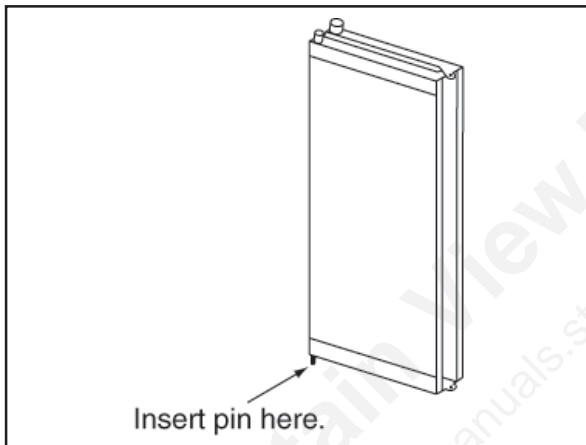


Figure 1 - Insert Pivot Pins

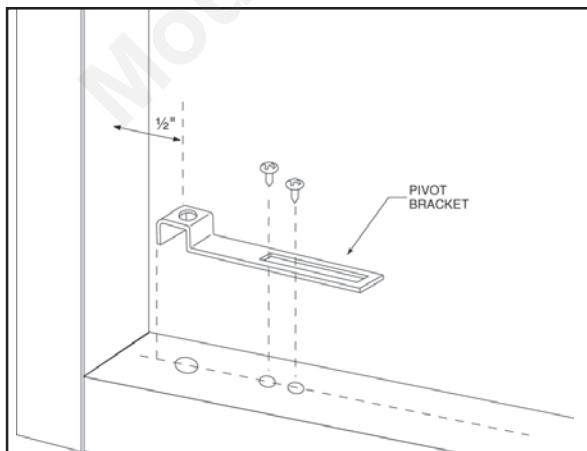


Figure 2 - Attach Pivot Bracket

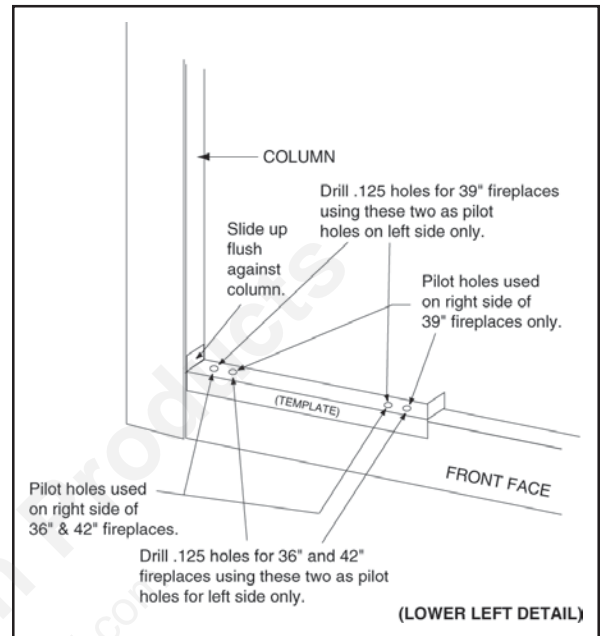


Figure 3 - Using the Template
Left Side Shown
(Slide template flush against the column to drill right side holes)

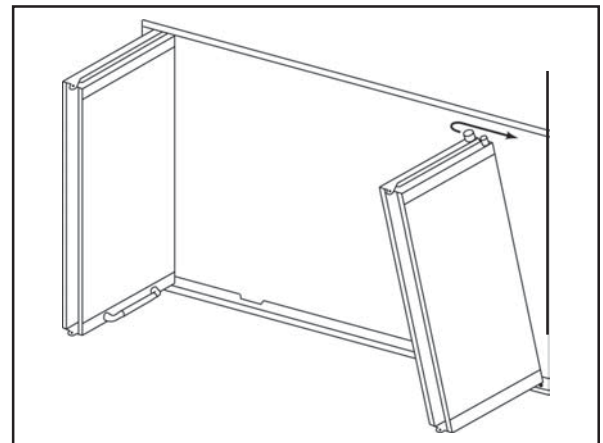


Figure 4 - Install Doors