

heatilator®

The first name in fireplaces



Hearth & Home Technologies-Mt. Pleasant
1915 W. Saunders Street
Mt. Pleasant, Iowa 52641
Division, HON INDUSTRIES
www.heatilator.com

INSTALLATION & OPERATING INSTRUCTIONS

NOVUS SERIES

TOP DIRECT VENT GAS APPLIANCE GNDC30/33/36 & GNDH30/33/36

REAR DIRECT VENT GAS APPLIANCE GNRC33/36



For residential use - Meets all HUD requirements for manufactured housing installations.

U.S. PATENT 5,613,487

WARNING: If the information in this manual is not followed exactly, a fire or explosion may result causing property damage, personal injury or loss of life.

- Do not store or use gasoline or other flammable vapors and liquids in the vicinity of this or any other appliance.
- What to do if you smell gas
 - Do not try to light any appliance.
 - Do not touch any electrical switch; do not use any phone in your building.
 - Immediately call your gas supplier from a neighbor's phone. Follow the gas supplier's instructions.
 - If you cannot reach your gas supplier, call the fire department.
- Installation and service must be performed by a qualified installer, service agency or the gas supplier.

CAUTION:

Do not expose the appliance to the elements (such as rain, etc.).

WARNING!

Improper installation, adjustment, alteration, service or maintenance can cause injury or property damage. Refer to this manual. For assistance or additional information, consult a qualified installer, service agency or the gas supplier.

PLEASE RETAIN THIS MANUAL FOR FUTURE REFERENCE

Table of Contents

A. Appliance Specifications 3
 NOVUS Nomenclature 4
 B. Locations and Clearances 6
 C. Framing 8
 D. Setting the Appliance 8
 E. Venting - Horizontal Termination 9
 F. Venting - Vertical Termination 13
 G. Venting - Framing & Construction 15
 H. Vent Assembly 17
 I. Utilities 19
 J. Finishing 22
 K. Appliance Preparation 22
 L. Determining the Ignition Type 24
 M. Lighting Instructions 24
 N. Seasonal Check List 26
 O. Start-up Issues 27
 P. Maintenance Instructions 28
 Q. Optional Components 30
 R. Replacement Parts 34
 Index 35
 Warranty 36

WARNING!

DO NOT use this appliance if any part has been under water. Immediately call a qualified service technician to inspect the appliance and to replace any part of the control system and any gas control which has been under water.

SAFETY PRECAUTIONS

1. Please read these installation instructions completely before beginning installation procedures. Failure to follow them could cause an appliance malfunction resulting in serious injury and/or property damage.
2. Always check your local building codes prior to installation. This installation must comply with all local, regional, state and national codes and regulations.
3. Installation and repair should be done by a qualified service person. This appliance should also be inspected annually by a qualified service person. More frequent inspections/cleaning may be required due to excessive lint from carpeting, bedding materials, etc. It is imperative that the control compartment, burners and circulating air passageways of the appliance be kept clean.
4. This is a vented decorative gas appliance. Do not burn wood or other material in this appliance.
5. **NEVER** leave children unattended when there is a fire burning in the appliance.
6. This appliance may only use the approved venting systems shown in these installation instructions. Venting must not be connected to chimney flue servicing a solid fuel burning appliance or a gas fuel burning appliance.
7. **NEVER** use gasoline, gasoline-type lantern fuel, kerosene, charcoal lighter fluid, or similar liquids in this appliance. Keep any flammable liquids a safe distance from the appliance.
8. While servicing this appliance, always shut off all electricity and gas to the appliance. This will prevent possible electrical shock or burns. Also, make sure the appliance is completely cooled before servicing.
9. Do not use this appliance if any part has been under water. Immediately call a qualified service technician to inspect the appliance and to replace any part of the control system and any gas control which has been under water.
10. Be sure to provide adequate clearances around the air openings into the combustion chamber and adequate accessibility clearances for servicing and proper operation.

A. APPLIANCE SPECIFICATIONS

1. U.S. AND CANADA CERTIFICATION

The NOVUS Series Gas Appliance has been tested in accordance with the **ANSI standard Z21.88-2000** in the United States, the current **CSA 2.33-2000** in Canada, and has been listed by Underwriters Laboratories Inc. for installation as described in this manual. All components are UL, AGA, CGA or CSA safety certified.

2. LOCAL CODES

This installation must conform with local codes. In the absence of local codes you must comply with the **National Fuel Gas Code, ANSI Z223.1-latest edition** in the U.S.A. and the **CAN/CGA B149 Installation Codes** in Canada.

The Novus Series gas appliance has been tested and listed for use in manufactured housing (mobile homes). These installation instructions conform with the **Manufactured Home Construction and Safety Standard, Title 24 CFR, Part 3280**, or when such a standard is not applicable, the **Standard for Manufactured Home Installations, ANSI A225.1**.

For assistance during installation contact your local dealer or contact the Heatilator Technical Services Department, Hearth & Home Technologies, 1915 W. Saunders Street, Mt. Pleasant, Iowa 52641, 1-800-843-2848.

HEATILATOR[®] and NOVUS[™] are registered trademarks of Hearth & Home Technologies

Tools and building supplies normally required for installation:

Saw	Wall-finishing materials
Pliers	Framing material
Hammer	Surround
Phillips screwdriver	Caulking material
Tape measure	Gloves
Plumb line	Framing square
Level	Electric drill and bits
Safety glasses	

Note: Minimum and maximum clearances must be maintained at all times. Illustrations throughout these instructions reflect typical installations and are for design purposes only. Actual installation may vary slightly due to individual design preferences.

The illustrations and diagrams used throughout these installation instructions are not drawn to scale.

3. GLASS SPECIFICATIONS/CERTIFICATIONS

Heatilator gas appliances manufactured with tempered glass may be installed in hazardous locations such as bathtub enclosures as defined by the CPSC. The tempered glass has been tested and certified to the requirements of **ANSI Z97.1-1984** and **CPSC 16 CFR 1202**. (Safety Glazing Certification Council **SGCC# 1595** and **1597**. Architectural Testing, Inc. Reports **02-31919.01** and **02-31917.01**).

This statement is in compliance with **SPCS 16 CFR Section 1201.5** "Certification and labeling requirements" which refers to **15 USC 2063** stating "...Such certificate shall accompany the product or shall otherwise be furnished to any distributor or retailer to whom the product is delivered."

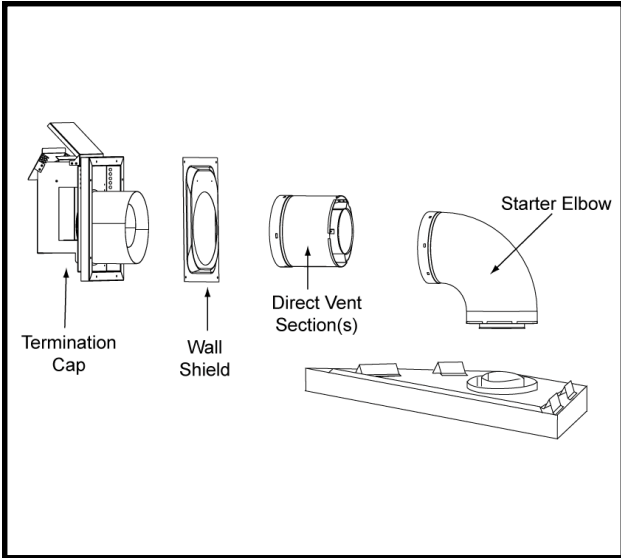
Some local building codes require the use of tempered glass with permanent marking in such locations. Glass meeting this requirement is available from the factory. Please contact your dealer or distributor to order.

NOVUS NOMENCLATURE

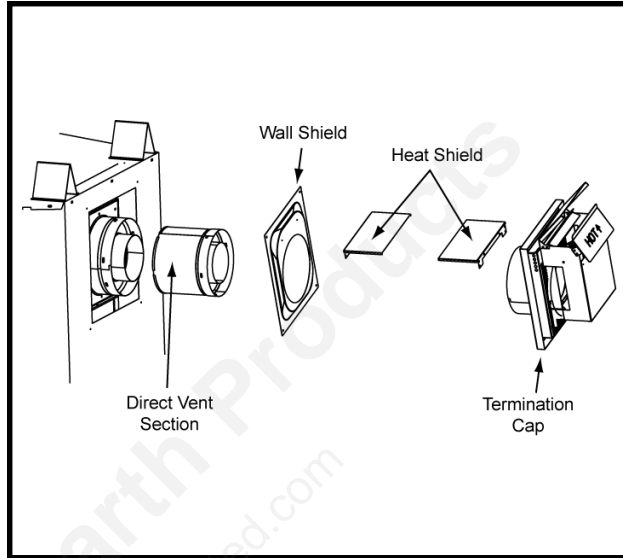
Catalog #	Description
GNDC36LE	Appliance Order Code Number
GN	Gas Novus
D or R	Direct (Top Vent) or Rear Vent
C or H	Circulator or Heater
36	36 - 36" appliance 33 - 33" appliance 30 - 30" appliance
LE	No suffix - Standing pilot, natural gas, refractory firebox L - Standing pilot, propane gas, refractory firebox E - Intermittent Pilot Ignition, natural gas, refractory firebox LE - Intermittent Pilot ignition, propane gas, refractory firebox
GNDC36LEBC	Appliance Order Code Number with Upgrade Code Number
B	Black firebox
C	Ceramic Glass Upgrade
GNDC36LEBC	Example: Gas NOVUS, direct vent, heat circulating, 36", propane gas, intermittent pilot ignition appliance with black firebox and ceramic glass
Components	Description
VP45	45° elbow
VP90	90° elbow
VP90ST	90° starter elbow (should be the first 90° elbow used when top venting)
VP4	4" length vent pipe
VP6	6" length vent pipe
VP12	12" length vent pipe
VP24	24" length vent pipe
VP36	36" length vent pipe
VP48	48" length vent pipe
VP6-9	6"-9" slip section vent pipe
VP14-24	14"-24" slip section vent pipe
VP12MI	12" vent pipe - non-unitized (can be cut to length)
VP24MI	24" vent pipe - non-unitized (can be cut to length)
VS4	Vertical vent suport
VSS2	Vinyl soffit shield
WS6	Wall shield to ensure horizontal clearances
FS6	Firestop spacer
RF6	Roof flashing (vertical termination for 0/12 to 6/12 pitch)
RF7	Steep pitch roof flashing (for 7/12 to 12/12 pitch)
VP-TB1	Basement vent cap
VP-VT1	Horizontal termination cap
VP-VT1X	Horizontal termination cap
CS	Cap shield
VP-TV	Vertical termination cap
VP-TH	Horizontal vent termination cap
VP-TR	Horizontal termination cap with 5" collar length
VP-TR2	Horizontal termination cap with 3.5" collar length
VP-THK	Horizontal termination kit (VP-TH termination cap, VP6-9 section, VP90ST starter elbow, wall shield)
VP-THK-MI	Horizontal termination kit (VP-TH termination cap, VP24MI vent section, VP90ST starter elbow, wall shield)
VP-TRK	Rear vent kit (VP6-9 slip section, WS6 wall shield, VP-TR termination cap with heat shield)
VP-TRK2	Rear vent kit (VP4, WS6 wall shield, VP-TR2 termination cap with heat shield)

TYPICAL HORIZONTAL INSTALLATIONS

TOP VENT

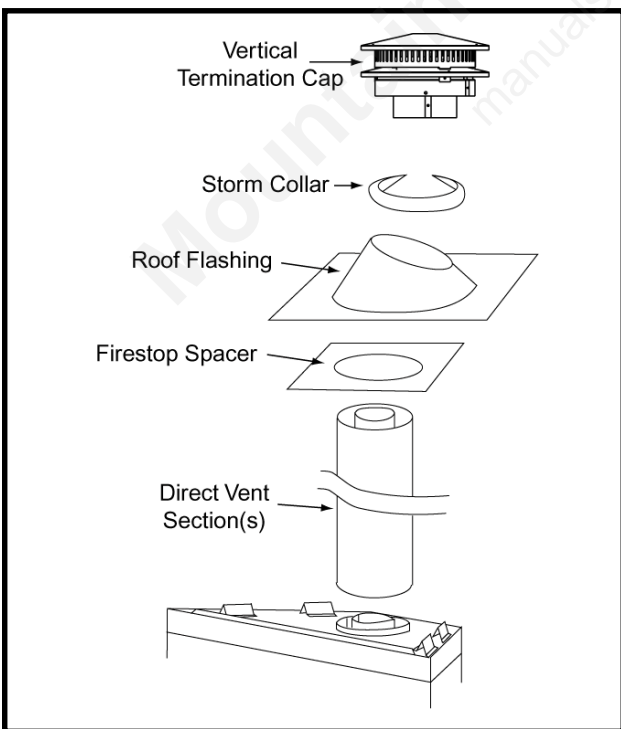


REAR VENT

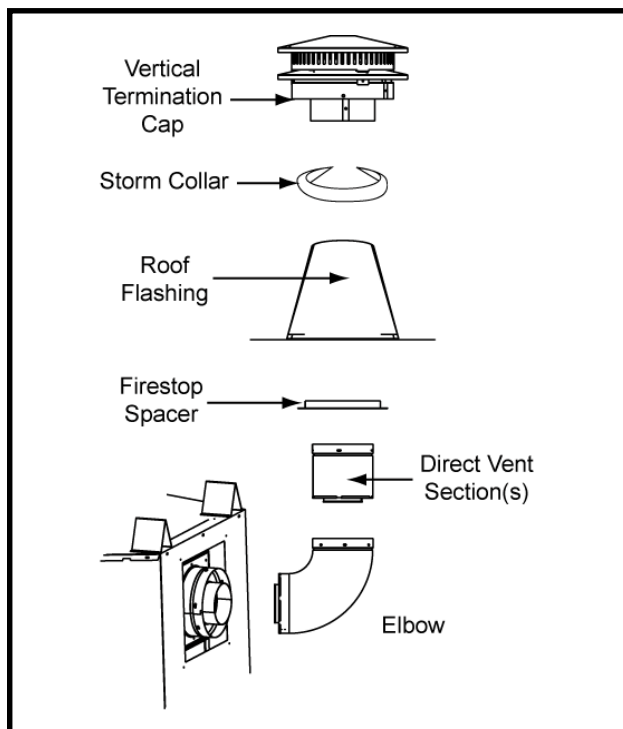


TYPICAL VERTICAL INSTALLATIONS

TOP VENT



REAR VENT



The first name in fireplaces

B. LOCATIONS AND CLEARANCES

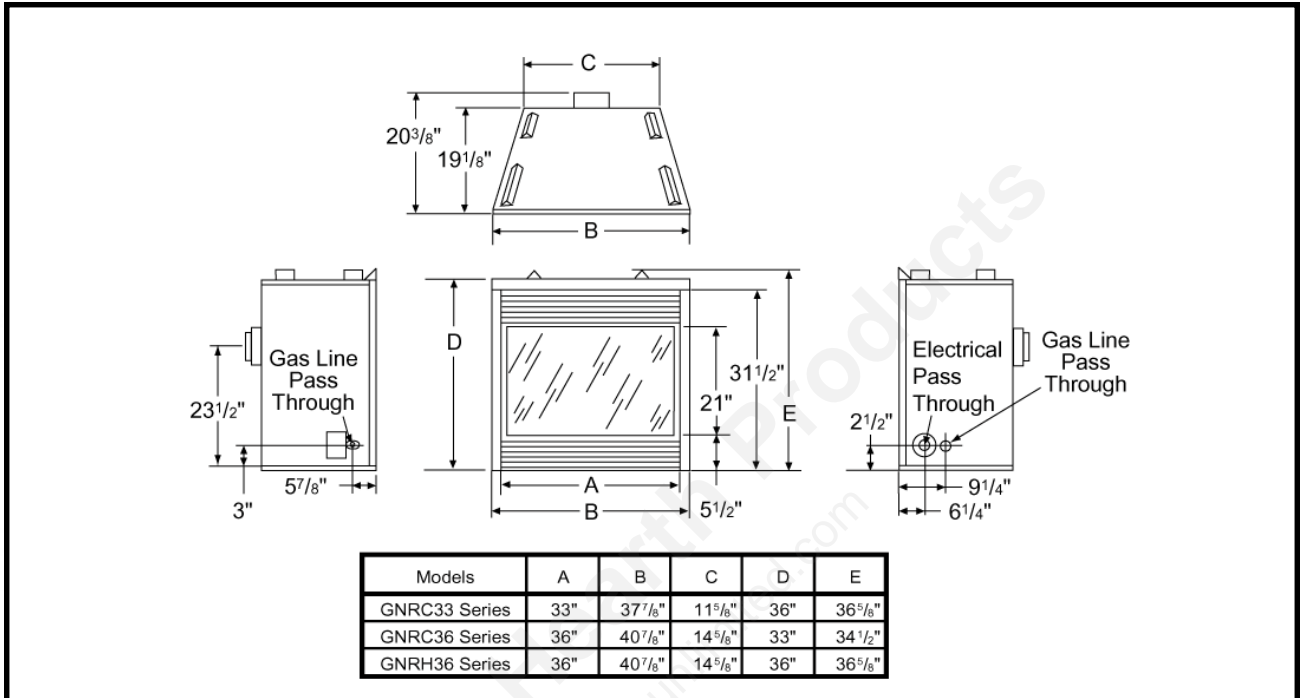


Figure 1 - Rear Vent Appliance Dimensions

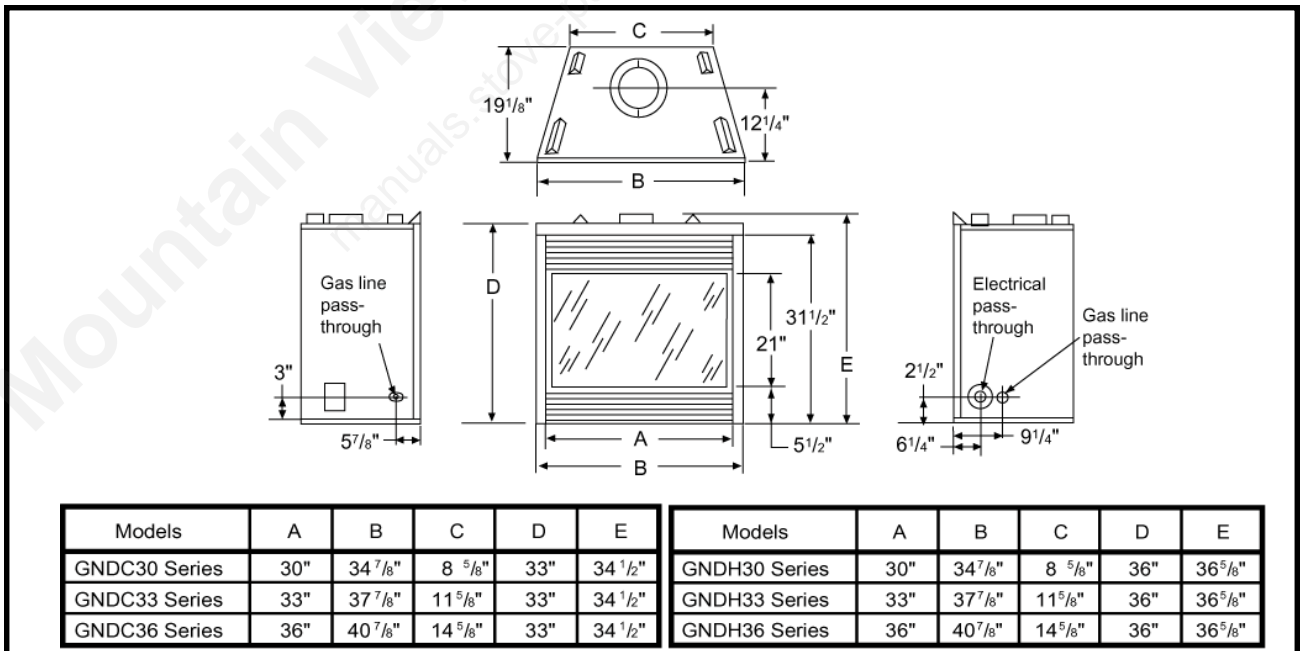


Figure 2 - Top Vent Appliance Dimensions

WARNING!
Due to high temperatures, the appliance should be located out of traffic and away from furniture and draperies.

1. APPLIANCE LOCATIONS AND SPACE REQUIREMENTS

Figure 3 illustrates a variety of ways the appliance may be located in a room. The NOVUS Series may be installed directly on the floor or raised on a hearth. These appliances are certified for installation in a bedroom, bed/sitting room or in mobile homes in the U.S. and Canada.

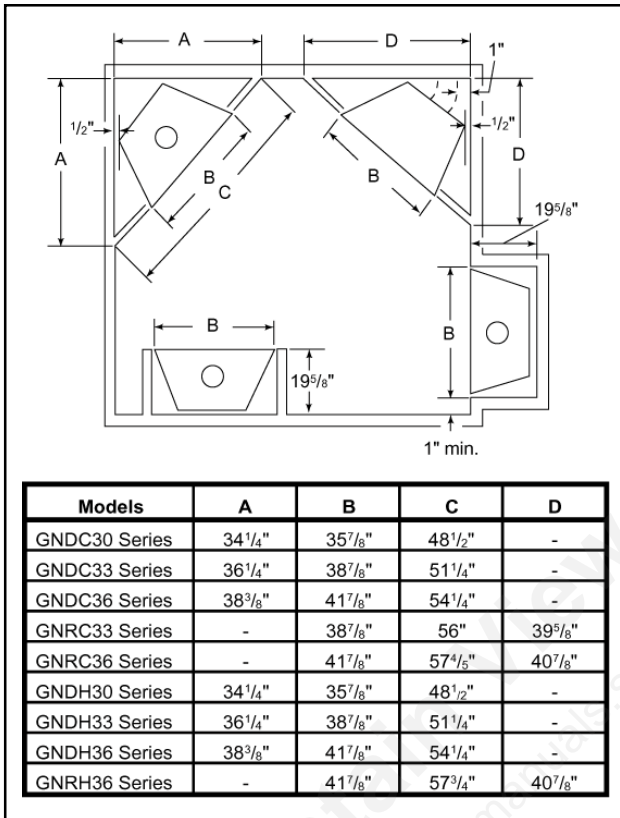


Figure 3
Appliance Locations

2. CLEARANCES

Figure 4 shows all clearances that must be maintained around the appliance. See page 12 for termination cap clearances.

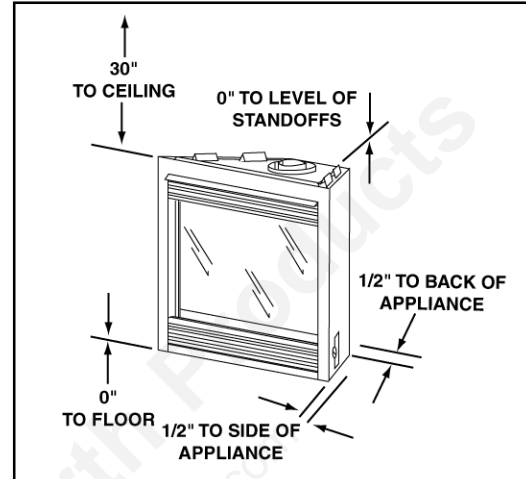


Figure 4
Appliance Clearances to Combustible Materials

CAUTION:
Provide adequate clearances around the air openings into the combustion chamber and adequate accessibility clearances for servicing and proper operation.

CAUTION:
Wear gloves and safety glasses for protection.

The first name in fireplaces

C. FRAMING

Figure 5 shows a typical framing of this appliance using combustible materials. Figure 6 shows the mantel heights for mantel projections. All required clearances to combustibles must be adhered to.

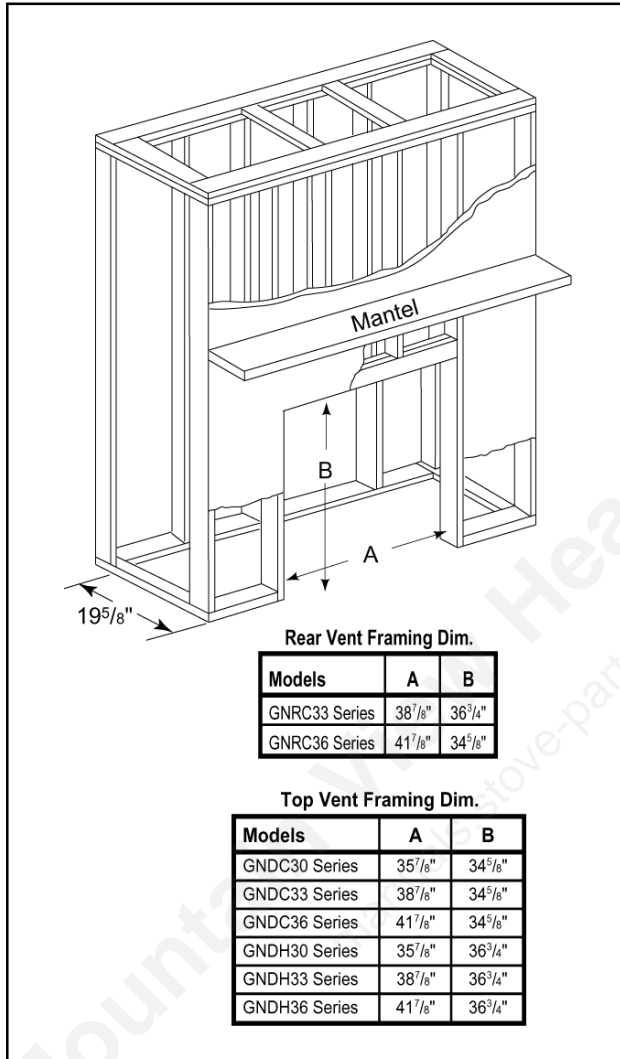
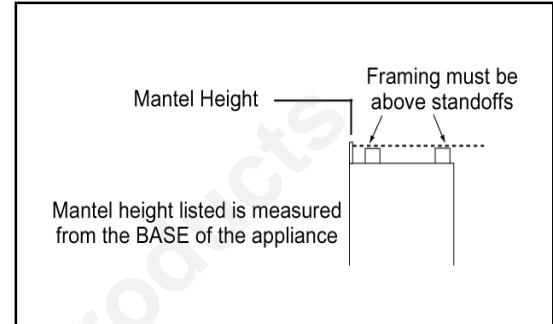


Figure 5 - Framing



Rear Vent

Models	Mantel Projection	Mantel Height
GNRC33 Series GNRC36 Series	3" to 12"	42"
	0 to 3"	38"

Top Vent

Mantel Projection	Mantel Height
9" to 12"	41"
6" to 9"	39"
3" to 6"	38"
0 to 3"	36"

WARNING!

To prevent contact with sagging or loose insulation, the appliance must **not** be installed against vapor barriers or exposed insulation. Localized overheating could occur and a fire could result.

D. SETTING THE APPLIANCE

This appliance may be placed on a smooth combustible or noncombustible continuous, flat surface. When the appliance is installed directly on carpeting, tile or other combustible material other than wood flooring, the appliance shall be installed on a metal or wood panel extending the full width and depth of the appliance. Slide the appliance into position and level the appliance from side-to-side and front-to-back. Shim with noncombustible material as necessary.

Secure the appliance by bending out the nailing flanges on each side of the appliance and nail to framing. The nailing flanges have been positioned 5/8 inch back from the front of the appliance to allow the addition of drywall.

WARNING!

This appliance may only use the direct vent system designed for use with the appliance and must not be connected to a chimney flue servicing a separate solid fuel or gas burning appliance.

E. VENTING - HORIZONTAL TERMINATION

1. REAR VENT

a. Clearances

See Figure 7 for clearance information.

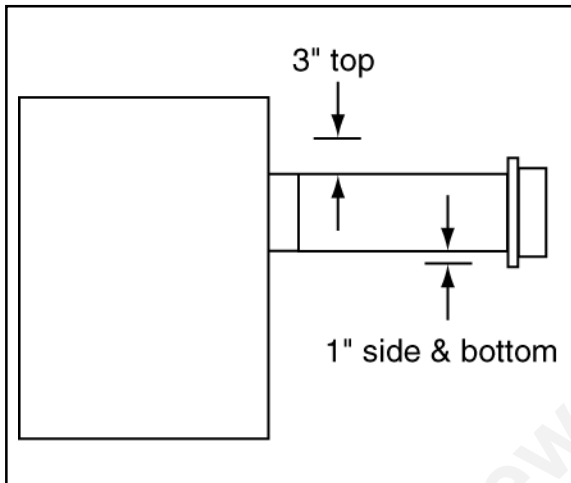


Figure 7 - Clearances

b. No Elbows

The maximum horizontal run with no vertical sections of vent is 18" from the back of the appliance to the base of the cap. See Figure 8.

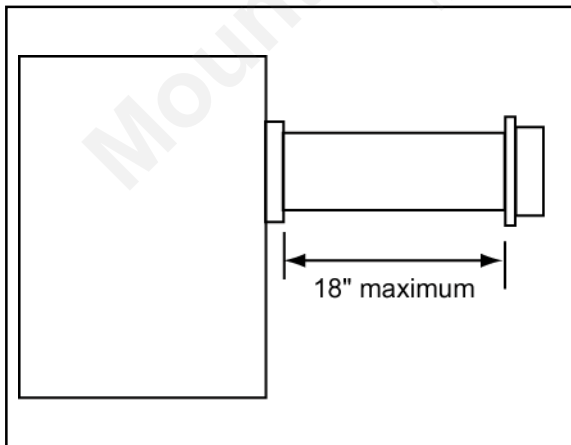


Figure 8 - No Elbows-Rear Vented Appliances

Note: Exterior wall thickness must be a minimum of 4" to a maximum of 17½".

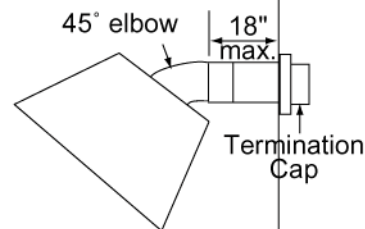
WARNING!

The horizontal run of vent must have a ¼" rise for every 1' of run towards the termination. Never allow the vent to run downward. This could cause high temperatures and may present a fire hazard.

c. 45° Elbow

For corner installations with horizontal venting, a maximum of one 45° elbow may be used. The maximum horizontal run following the elbow is 18" to the base of the cap. See Figure 9.

A 90° elbow **cannot** be used on horizontal termination with no vertical section of vent.



A starter elbow **cannot** be used in any rear-vent configuration.

Figure 9 - 45° Elbow

WARNING!

If you have chosen horizontal termination, be sure there are no future obstructions from trees, bushes, snow drifts, etc.

CAUTION:

Provisions shall be made to provide adequate combustion and ventilation air.

The first name in fireplaces

d. Two Elbows

Figure 10 shows various venting configurations using two elbows to terminate horizontally. A minimum of a 1' vertical section is required any time 90° elbows are used when rear venting the appliance. The maximum vertical run is 20' and the maximum horizontal run is 18'.

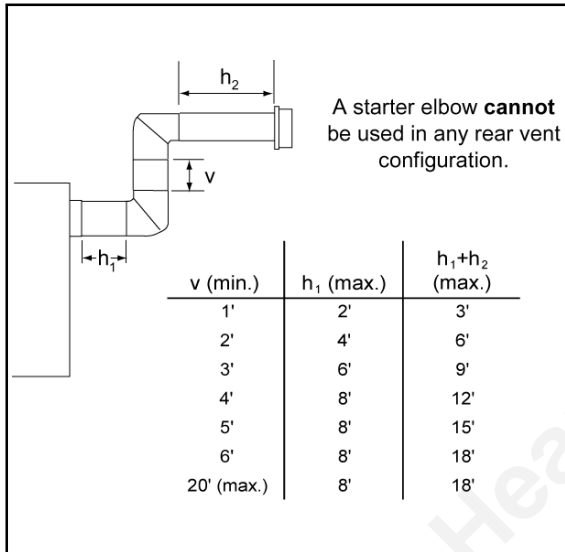


Figure 10 - Two Elbows

e. Three Elbows

Figure 11 shows various venting configurations using three elbows to terminate horizontally. A minimum of a 1' vertical is required any time 90°

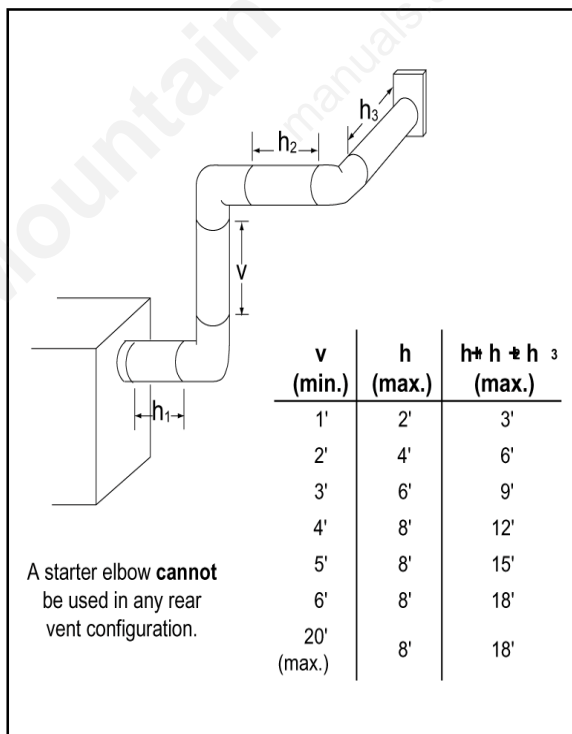


Figure 11 - Three Elbows

elbows are used when rear venting the appliance. The maximum vertical run is 20' and the maximum horizontal run is 18'.

2. TOP VENT

a. Clearances

See Figure 12 for clearance information.

b. Vent Lengths

Various venting configurations are shown in Figures 13-16 from which maximum vent lengths can be determined.

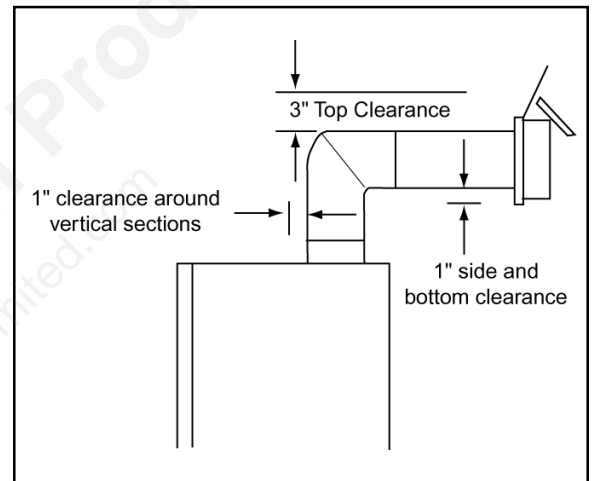


Figure 12 - Clearances

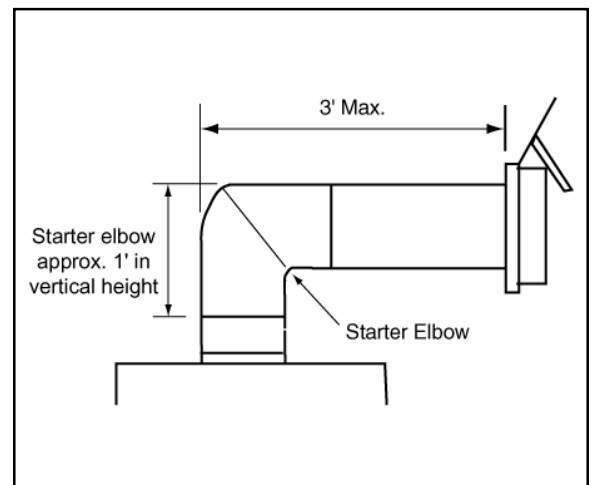


Figure 13 - Vent Lengths with one Elbow (Less than 2' vertical, 3' maximum horizontal)

Note: Exterior wall thickness must be a minimum of 4" to a maximum of 2 3/4".

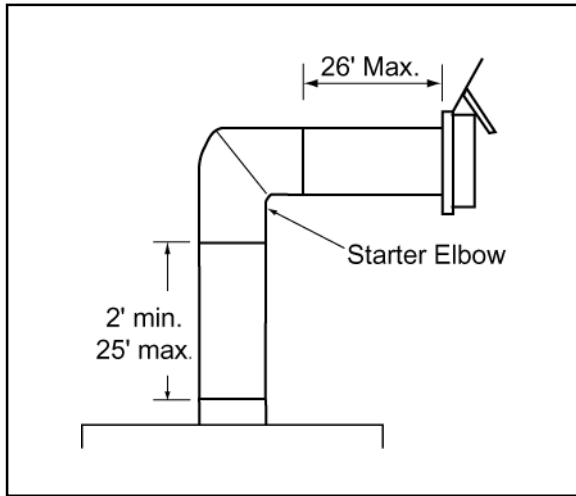


Figure 14 - Vent Lengths with One Elbow
(2' vertical or more, 25' maximum horizontal)

WARNING!
Always maintain minimum air space clearances or greater around the chimney system. See page 10. Do not pack air spaces with insulation or other material.

Note: To ensure proper operation, verify all venting and the termination are unobstructed.

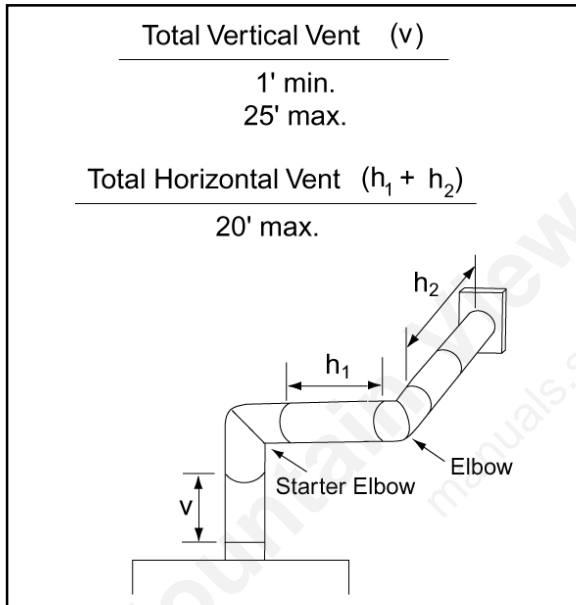


Figure 15
Vent Lengths with Two Elbows

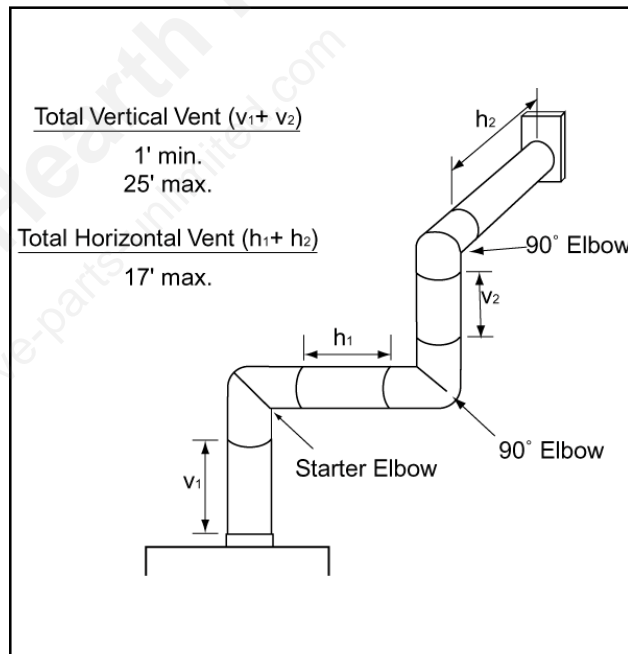


Figure 16
Vent Lengths with Three Elbows

The first name in fireplaces

3. TERMINATION CAP LOCATION

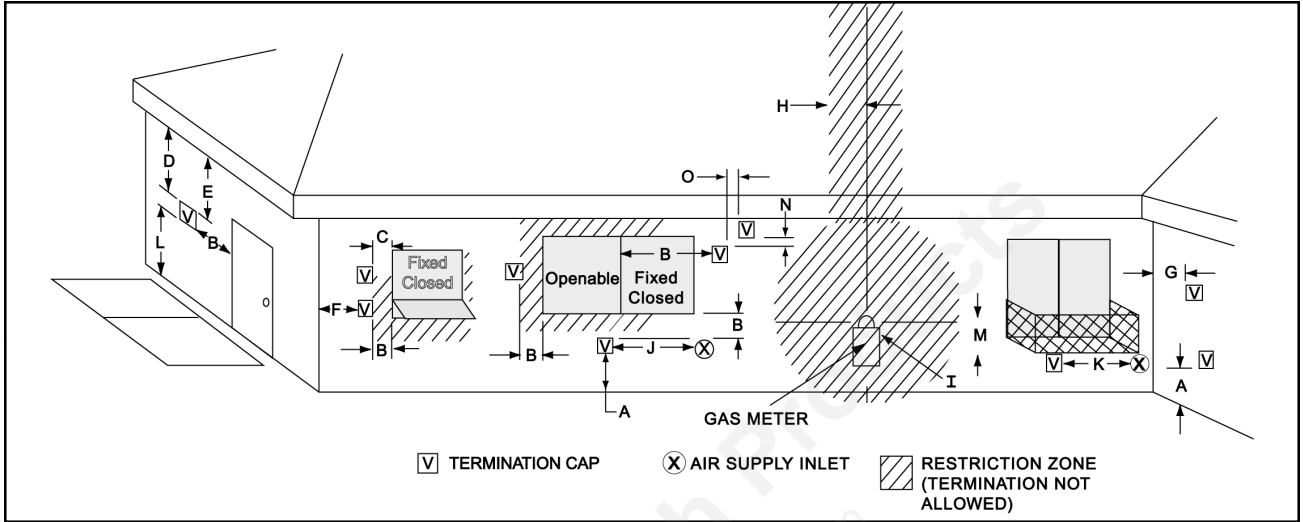


Figure 17

Dimension Descriptions

- A** Clearance above the ground, a veranda, porch, deck or balcony - 12 inches (30 cm) minimum. *
- B** Clearance to window or door that may be opened – 10,000 BTUs or less, 6 inches (15 cm) minimum; 10,000-50,000 BTUs, 9 inches (23 cm) minimum; over 50,000 BTUs, 12 inches (30 cm) minimum. *
- C** Clearance to permanently closed window – 12 inches (30 cm) minimum - recommended to prevent condensation on window.
- D** Vertical clearance to ventilated soffit located above the termination within a horizontal distance of 2 feet (60 cm) from the centerline of the termination – 18 inches (46 cm) minimum. **
- E** Vertical clearance to unventilated soffit - 12 inches (30 cm) minimum. **
- F** Clearance to outside corner - 6 inches (15 cm) minimum.
- G** Clearance to inside corner - 6 inches (15 cm) minimum.
- H** Not to be installed above a meter/regulator assembly within 3 feet (90 cm) horizontally* from the center line of the regulator
- I** Clearance to service regulator vent outlet - 6 feet (1.8m) minimum. *
- J** Clearance to non-mechanical air supply inlet into building or the combustion air inlet to any other appliance - 12 inches (30 cm) minimum. *
- K** Clearance to mechanical air supply inlet - 6 feet (1.8 m) minimum. *
- L** Clearance above a paved sidewalk or paved driveway located on public property - 7 feet (2.1 m) minimum.
A vent may not terminate directly above a sidewalk or paved driveway which is located between two single family dwellings and serves both dwellings.
- M** Clearance under veranda, porch, deck or balcony - 12 inches (30 cm) minimum. * Recommended 30 inches (76 cm) for vinyl or plastic.
Only permitted if veranda, porch, deck or balcony is fully open on a minimum of 2 sides beneath the floor. *
- N** Vertical clearance between two horizontal termination caps – 12 inches (30 cm) minimum.

- O** Horizontal clearance between two horizontal termination caps – 12 inches (30 cm) minimum.

* As specified in **CGA B149 Installation Codes**

Note: Local codes or regulations may require different clearances.

- ** Clearance required to vinyl soffit material – 30 inches (76 cm) minimum. With a vinyl soffit shield – 18 inches (46 cm) minimum.

WARNING!

In the U.S.: Vent system termination is NOT permitted in screened porches. You must follow side wall, overhang and ground clearances as stated in the instructions.

In Canada: Vent system termination is NOT permitted in screened porches. Vent system termination is permitted in porch areas with two or more sides open. You must follow all side wall, overhang and ground clearances as stated in the instructions.

Hearth & Home Technologies assumes no responsibility for the improper performance of the appliance when the venting system does not meet these requirements.

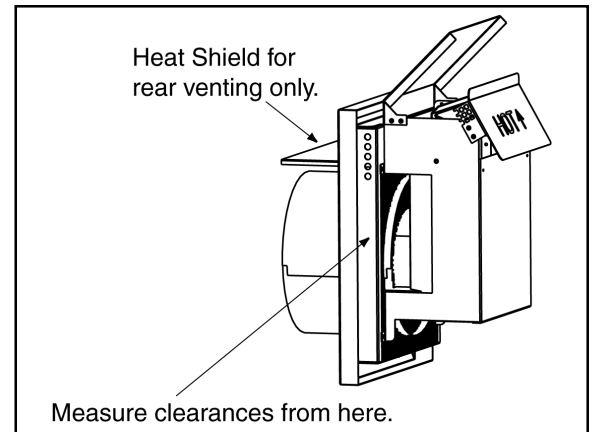


Figure 18 - Cap Clearances

F. VENTING - VERTICAL TERMINATION

1. REAR VENT

a. Clearances

See Figure 19 for clearance information.

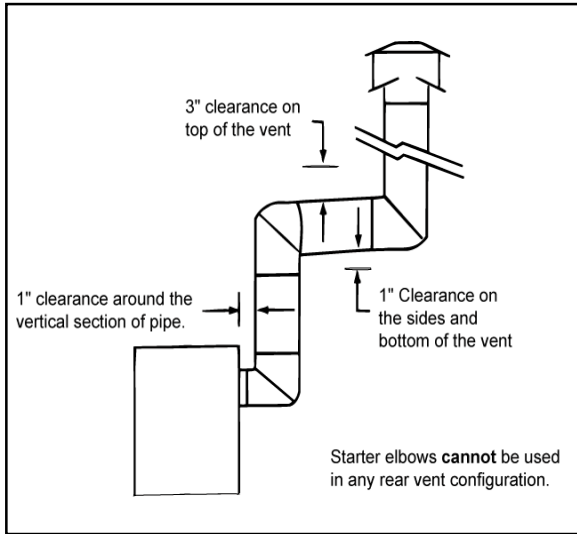


Figure 19 - Vertical Termination Clearances

WARNING!
Always maintain minimum clearances or greater around the vent system. Do not pack air spaces with insulation or other material.

WARNING!
The horizontal run of vent must have a 1/4" rise for every 1' of run towards the termination. Never allow the vent to run downward. This could cause high temperatures and may create a fire hazard.

Note: Horizontal runs will require the use of one vent support (or metal plumber's strap) for every 3' of vent.

b. Vent Lengths

Various venting configurations are shown in Figure 20 from which maximum vent runs can be determined.

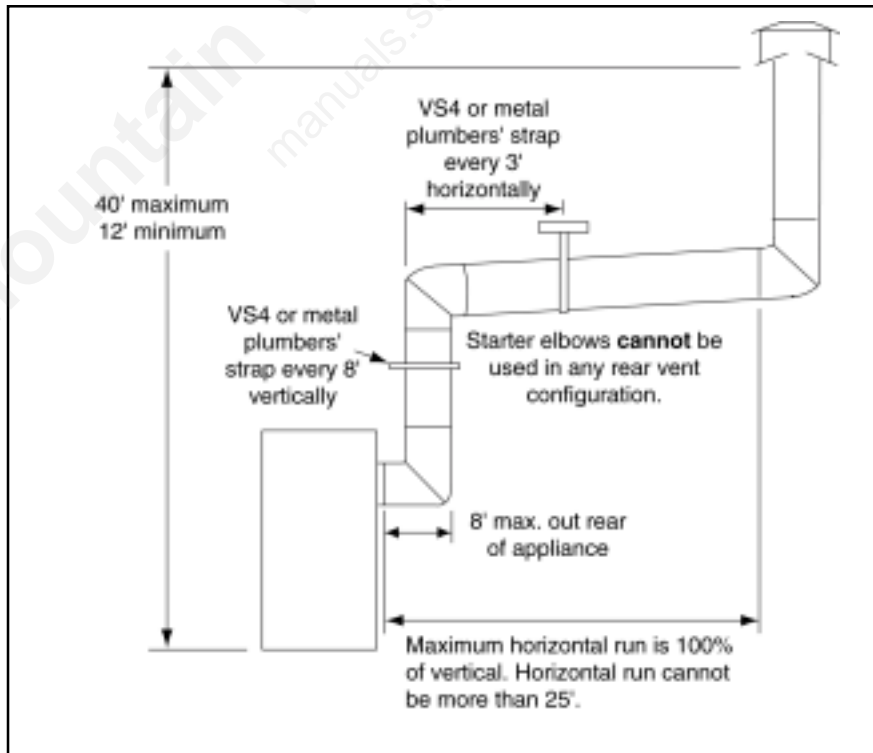


Figure 20 - Vertical Termination Vent Lengths

The first name in fireplaces

2. TOP VENT

a. Clearances

See Figure 21 for clearance information.

b. Vent Lengths

Various venting configurations are shown in Figures 22 and 23 from which maximum vent runs can be determined.

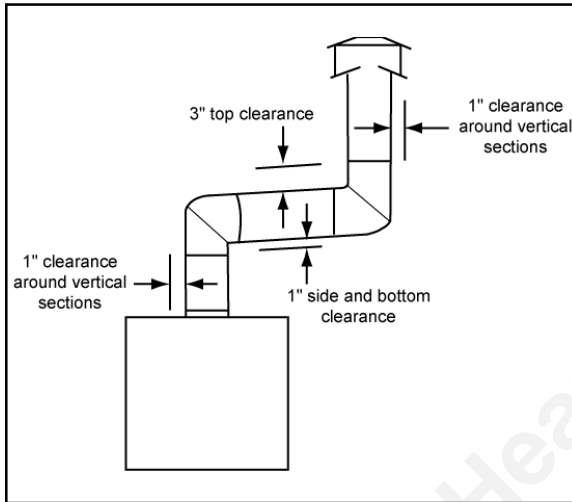


Figure 21 - Vertical Termination Clearances

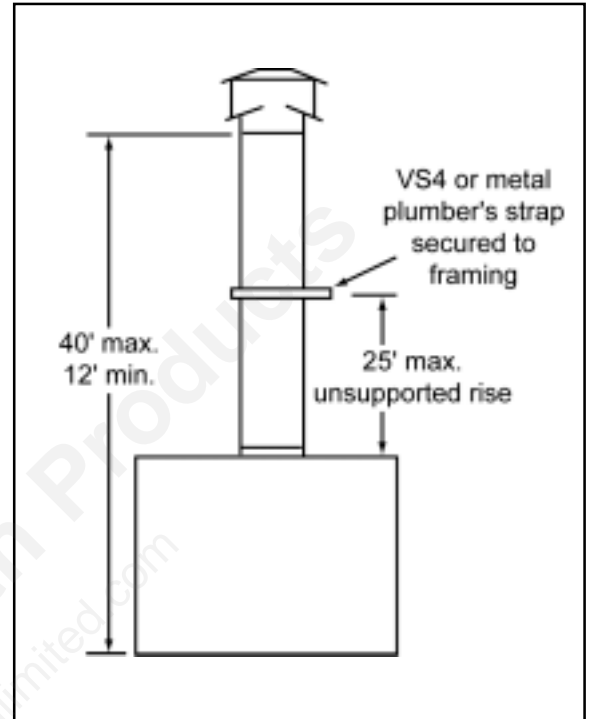


Figure 22 - Vertical Termination Vent Lengths

WARNING!
Always maintain minimum clearances or greater around the chimney system. Do not pack air spaces with insulation or other material.

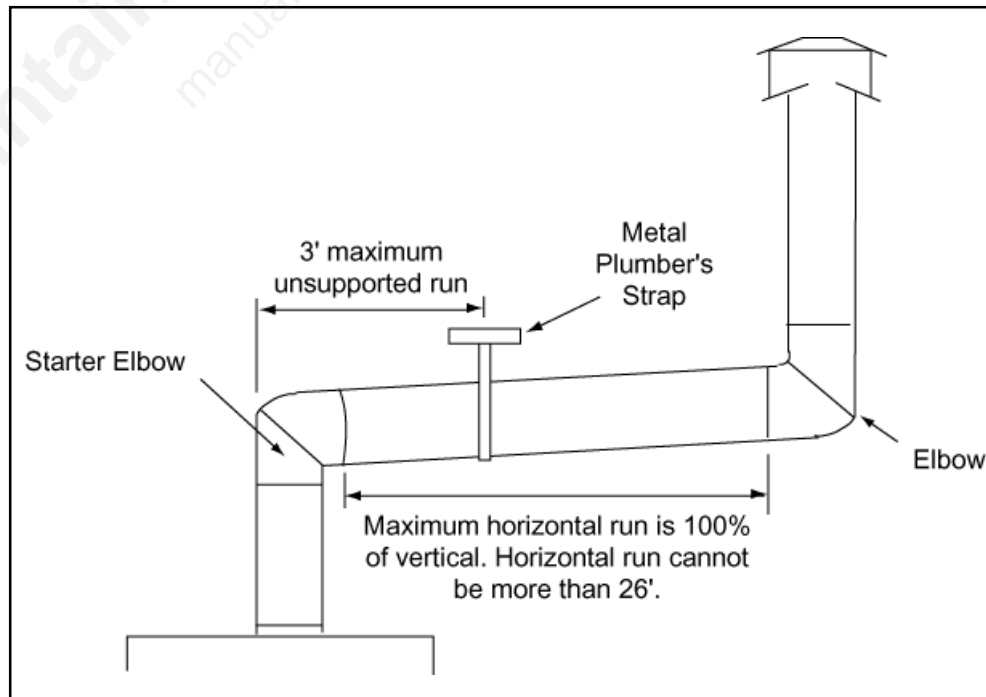


Figure 23 - Vertical Termination Vent Lengths

G. VENTING - FRAMING & CONSTRUCTION

1. INSTALLING THE INTERIOR WALL SHIELD (WS6)

Frame a hole in a combustible wall for an interior wall shield, as shown in Figure 24 (rear vent) and Figure 25 (top vent) whenever a wall is penetrated. This shield maintains minimum clearances and prevents cold air infiltration.

The termination cap location must meet all local and national codes and not be easily blocked or obstructed. See Figure 17, page 12.

If the hole being penetrated is of noncombustible materials, a 9" diameter hole is acceptable.

Secure the shield to the framing as shown in Figure 26.

The last section of vent may require cutting a piece of minimum installation (MI) pipe or using a slip section pipe, depending upon wall thickness and appliance location. See Figure 27.

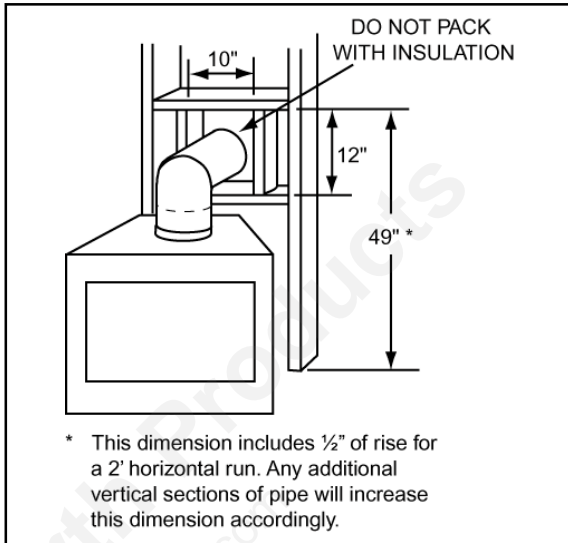


Figure 25 - Exterior Wall Hole - Top Vent

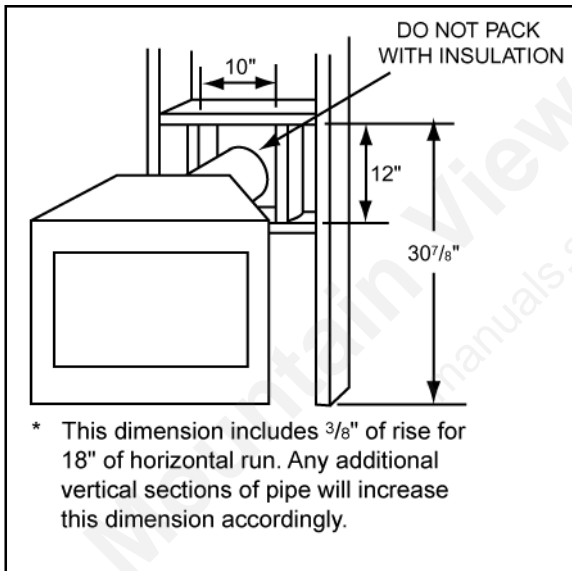


Figure 24 - Exterior Wall Hole - Rear Vent

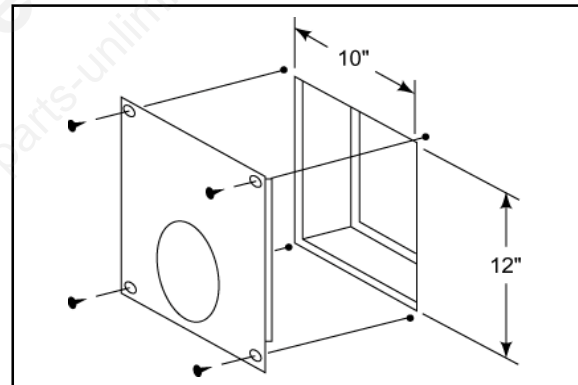


Figure 26 - Interior Wall Shield

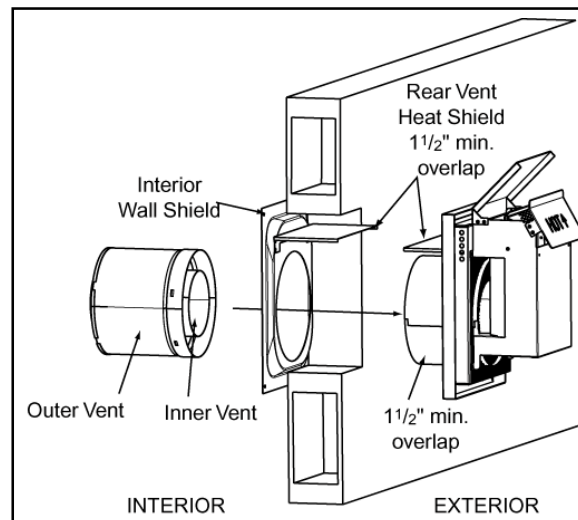
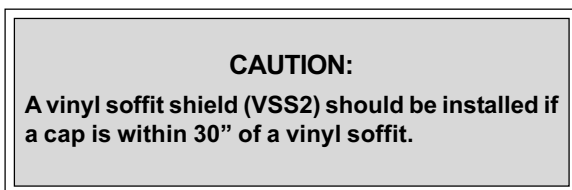


Figure 27 - Venting Through the Wall

2. INSTALLING THE REAR VENT HEAT SHIELD

a. For horizontally terminated rear vent appliances, the flue heat shields **MUST** be placed 1" above the top of the vent between the wall shield and the base of the termination cap. The shields are attached to the wall shield and base of the cap with two screws each. When installed, the cap's shield will rest under the wall shield's shield. The shields must have at least 1½" overlap. See Figure 27. Depending on the installation, the shields may be too long and will require trimming. If the shields are too short, material must be added.

b. **Minimum Venting Clearances**
Horizontal runs off the back of the appliance to the wall shield:

1" sides and bottom of vent
For top clearance, see Figure 28.

Horizontal runs inside a wall (heat shields must be installed):

3" air space on top of vent
1" air space on sides and bottom of vent

Vertical Runs:

1" air space around vent.

WARNING!

Always maintain minimum air space clearances or greater around the appliance and chimney system. The flow of combustion and ventilation air must not be obstructed.

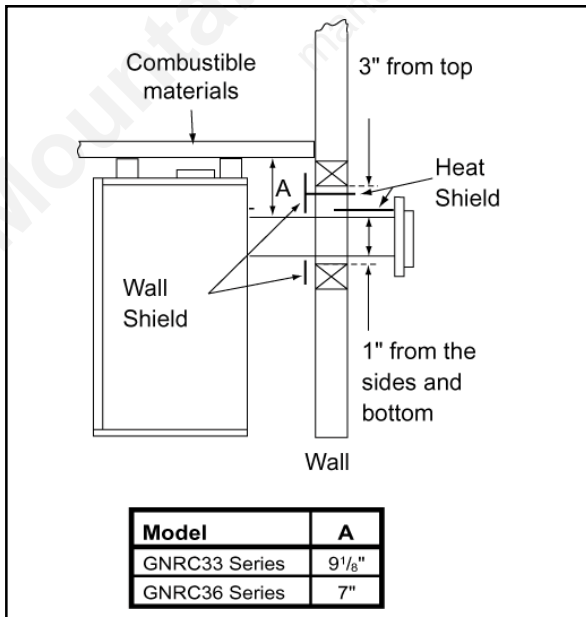


Figure 28
Rear Vented Appliances Venting Clearances

3. FIRESTOP SPACER/VENT INSTALLATION

Frame an opening and install a firestop spacer (FS6) whenever the vent penetrates a ceiling/floor area, as shown in Figure 29. Frame the opening with the same sized lumber as used in the ceiling/floor joists. **When installing a top vent, vertical appliance, the hole should be directly above the appliance, unless the flue is offset. DO NOT** pack insulation around the vent.

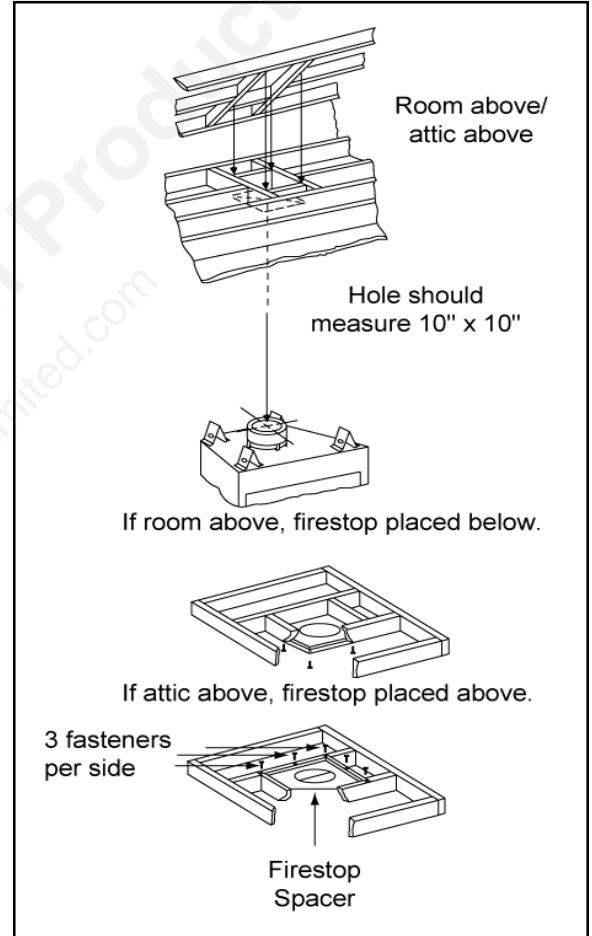


Figure 29 - Installing the Firestop Spacer

4. CHASE/TERMINATION INSTALLATION

Figure 30 and Table 1 specifies minimum vent heights for various pitched roofs. Vent sections may have to be cut to a certain length.

These vent heights are necessary for safety and do not ensure draft-free operation. Trees, buildings, adjoining roof lines, adverse conditions, etc. may create a need for a taller vent should down drafting occur. See Figure 31 for multiple vertical terminations.

5. INSTALLING THE VERTICAL TERMINATION CAP

To install the vertical termination cap, simply slide the inner collar of the cap over the inner vent and place the outer collar of the cap over the outer vent. Secure with three screws into the outer vent.

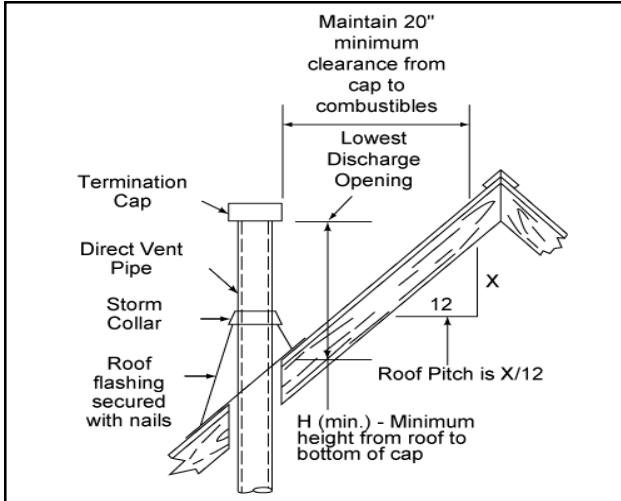


Figure 30 - Chimney Height for Vertical Termination

Roof Pitch	H (Min.) Ft.
Flat to 6/12	1.0
6/12 to 7/12	1.25
Over 7/12 to 8/12	1.5
Over 8/12 to 9/12	2.0
Over 9/12 to 10/12	2.5
Over 10/12 to 11/12	3.25
Over 11/12 to 12/12	4.0
Over 12/12 to 14/12	5.0
Over 14/12 to 16/12	6.0
Over 16/12 to 18/12	7.0
Over 18/12 to 20/12	7.5
Over 20/12 to 21/12	8.0

Table 1 - Vent Height

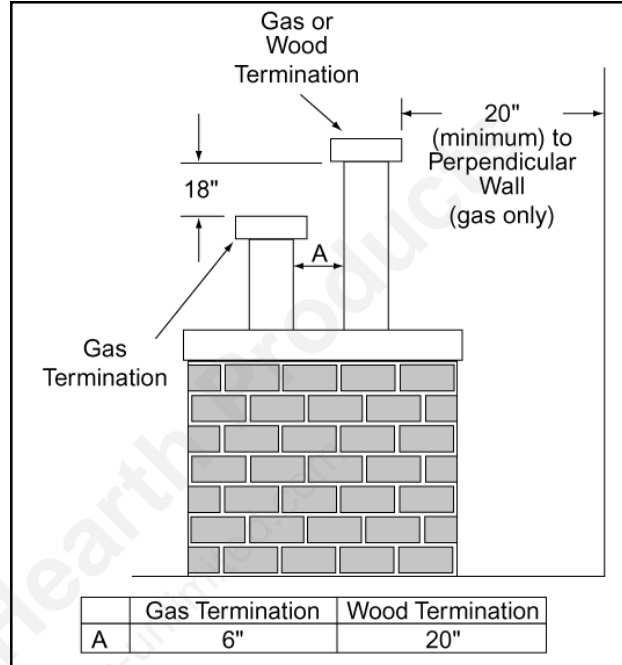


Figure 31 - Multiple Vertical Termination

H. VENT ASSEMBLY

1. ATTACHING THE VENTING TO THE APPLIANCE

To attach the first VP section to the appliance collars, simply slide the flared end of the inner flue of the VP section over the inner collar on the appliance. At the same time, insert the outer flue into the outer collar on the appliance. Push the vent section into the appliance collar until all the lances have snapped into place. Tug slightly on the vent to confirm it has completely locked in place.

Note: Squeezing the pipe slightly to fit may be necessary.

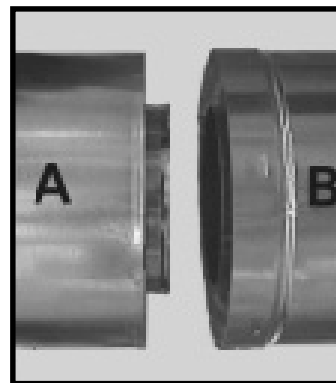


Figure 32

2. ASSEMBLING VENT SECTIONS

- a. Start the flared inner flue of Section "A" over the inner flue of Section "B".
- b. Insert the outer flue of Section "A" into the outer flue of Section "B". See Figure 32.
- c. Once both inner and outer flues are started, press Section "A" into Section "B" firmly until all lances have snapped into place. Tug slightly on Section "A" to confirm it has completely locked into place. See Figure 33.

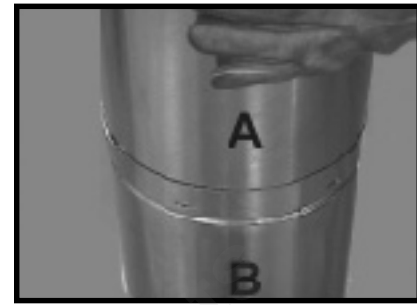


Figure 33

Note: Make sure that the seams are NOT aligned in order to prevent unintentional disconnection.

3. ASSEMBLING MINIMUM INSTALLATION (MI) SECTIONS

MI sections are non-united so that they can be cut to a certain length. To use these sections, they must be cut to length from the non-expanded end. See Figure 34. They can then be attached by first connecting the expanded end of the MI inner flue with the inner flue from the adjacent vent section and securing with three screws. The expanded portion of the MI inner flue must overlap completely with the untreated end of the adjacent vent section. The outer flue can then be inserted into the adjacent outer flue expanded end and attached to the next vent section with three screws. The other end of the MI vent section can then be attached by fitting a snap lock section to it and snapping it together as normal.

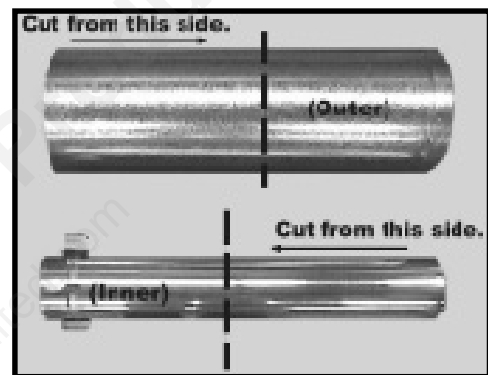


Figure 34

4. ASSEMBLING THE SLIP SECTIONS

Slip sections should be snapped into the first mating piece, then expanded to their desired length, making sure that a 1½" overlap is maintained between the two sections of the slip section. The two sections of the slip section then need to be secured by driving two screws through the overlapping portions of the vent. See Figure 35. This will secure the slip section to the desired length and prevent it from separating. The slip section can then be attached to the next section of vent.

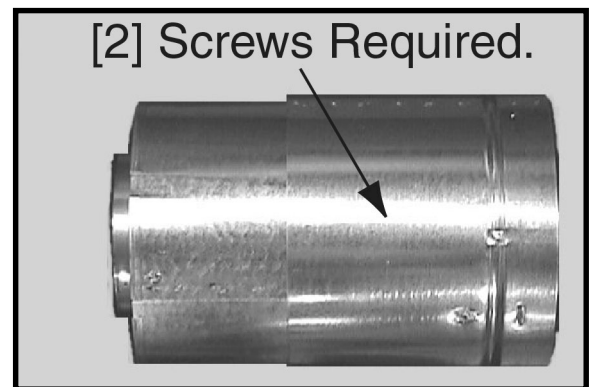


Figure 35

5. DISASSEMBLING VENT SECTIONS (only if necessary)

To disassemble any two pieces of pipe, rotate either section so that the seams on both pipe sections are aligned as shown in Figure 36. They can then be carefully pulled apart.

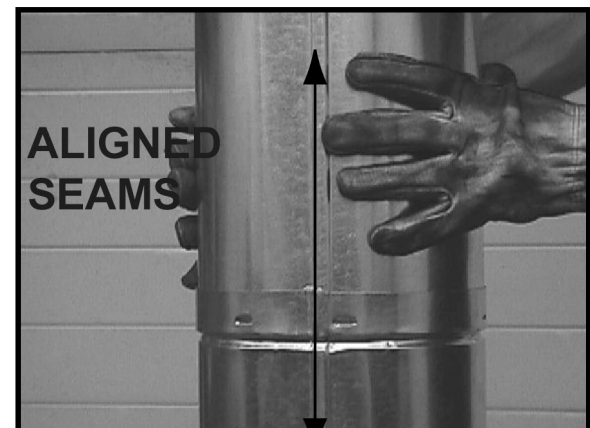


Figure 36

I. UTILITIES

1. HIGH ALTITUDE INSTALLATION

For U.S. installation, appliances are tested and approved for elevations from 0-2000 feet. When installing this appliance at an elevation above 2000 feet, National Fuel Gas Codes require a decrease of the input rating by changing the existing burner orifice to a smaller size. Input should be reduced 4% for each 1000 feet above sea level. Check with the local gas utility for proper orifice size identification. The correct orifice is available from your Heatilator distributor.

For Canada, appliances are certified for elevations from 0-4500 feet. When installing this appliance at an elevation between 0-4500 feet in Canada, the input rating does not need to be reduced. When installing this appliance at an elevation above 4500 feet in Canada, check with local authorities.



Figure 37
Flexible Connector and Manual Shutoff Valve

2. GAS LINE CONNECTION

The appliance is provided with a stainless steel flexible connector and manual shutoff valve (see Figure 37). The incoming gas line should be piped into the valve compartment and connected to the 1/2" FIP connection provided on the manual shutoff valve. All connections must be tightened and checked for leaks with a soap and water solution or leak detector. Bleed the gas line to extract any air that may have been trapped inside the pipe. See Figure 38 to connect the gas line. Gas connections may also be made by taking out the knockout in the bottom pan to allow connection through the bottom of the appliance.

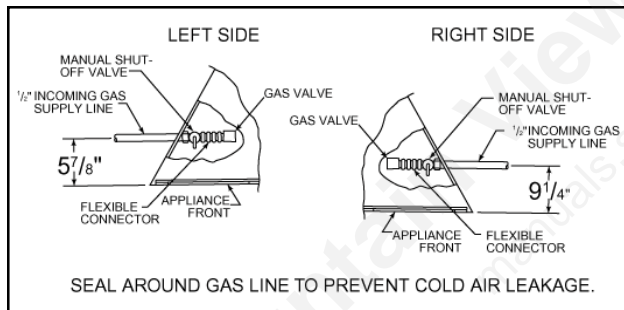


Figure 38 - Gas Line

Note: This appliance and its manual shutoff valve must be disconnected from the gas supply piping system during any pressure testing of that system at test pressures in excess of 1/2 psi (3.5 kPa). The appliance must be isolated from the gas supply piping system by closing its manual shutoff valve during any pressure testing of the gas supply piping system at test pressures equal to or less than 1/2 psi (3.5 kPa).

WARNING!

This valve has been preset at the factory. Altering settings may result in fire hazard or bodily injury.

3. GAS PRESSURE

On both the standing pilot and the electronic ignition gas valves, the inlet pressure and manifold (outlet) pressure taps are available on the face of the valve. Pressure taps are immediately upstream of the gas supply connection and accessible for test gauge connection. Table 2 shows optimum gas pressure information. Consult your local gas company for assistance in determining the proper orifice for you altitude or refer to **ANSI Z223.1-latest edition, Appendix F**.

4. FUEL

- a. Do not burn wood or other material in the appliance.
- b. Natural or propane gas conversions necessary to meet the application need to be made by a qualified technician using Hearth & Home Technologies brand specified and approved parts.
- c. In the event your standing pilot appliance must be converted to use propane, you must use a **CKVP** conversion kit. To convert to use natural gas, you must use a **CKVN** conversion kit.
- d. If your intermittent pilot appliance must be converted to use propane, you must use a **DCKP** conversion kit. To convert to use natural gas, use a **DCKN** conversion kit.

4. WIRING

a. Wall Switch Wiring

The installer shall supply a UL-listed or in Canada, a CSA-listed wall switch. This appliance was tested with eighteen feet of UL listed 18 ga. Type CL2 105°C, two conductor "thermostat wire." If other wiring materials are used they shall comply with local codes. In the absence of local codes, they shall comply with the **National Electrical Code ANSI/NFPA 70-latest edition** or **Canadian Electrical Code CSA C22.1**.

Note: This appliance must be electrically wired and grounded in accordance with local codes or, in the absence of local codes, with **National Electric Code ANSI/NFPA 70-latest edition** or the **Canadian Electric Code CSA C22.1**.

Note: Optional Accessories Requirement: Wiring for optional accessories should be done now to avoid reconstruction.

b. Standing Pilot Ignition

- 1) This standing pilot appliance does not require a 110V AC supply to operate. It is suggested that a 110V junction box be installed with a switched outlet for the optional fan and an always-powered outlet for the optional remote control.
- 2) Only heater-listed appliances may be connected to a thermostat (not supplied). Use a thermostat that is compatible with a millivolt gas valve. See Figure 39.

CAUTION:
Label all wires prior to disconnection when servicing controls. Wiring errors can cause improper and dangerous operation. Verify proper operation after servicing.

WARNING!
This standing pilot appliance **DOES NOT** require a 110V AC supply for operation. Connecting the appliance wall switch wires to 110V AC supply will cause the appliance to malfunction and destroy the valve and thermopile.

NOVUS	
Inlet gas supply pressure (NG)	4.5 (min) - 7.0 (max)*
Optimum manifold pressure (NG)	3.5*
Inlet gas supply pressure (LP)	11.0 (min) - 14.0 (max) *
Optimum manifold pressure (LP)	10*
Input Rate (NG)	
GNDH36 Series	27,000/18,500 BTU/hr
GNRC36 Series	25,000/17,000 BTU/hr
GNDH36 Series	25,000/18,750 BTU/hr
GNDH33 Series	25,000/18,750 BTU/hr
GNDH30 Series	25,000/18,750 BTU/hr
Input Rate (LP)	
GNDH36 Series	25,000/18,750 BTU/hr
GNDH33 Series	25,000/18,750 BTU/hr
GNDH30 Series	25,000/18,750 BTU/hr
Natural Gas Orifice Size	
GNDH36 Series	.101 in/2.56 mm
GNDH33 Series	.096 in/2.43 mm
GNDH30 Series	.096 in/2.43 mm
Propane (LP) Gas Orifice Size	
GNDH36 Series	.059 in/1.50 mm
GNDH33 Series	.059 in/1.50 mm
GNDH30 Series	.059 in/1.50 mm

* Inches water column

Table 2 - Information for Intermittent Pilot and Standing Pilot Appliances

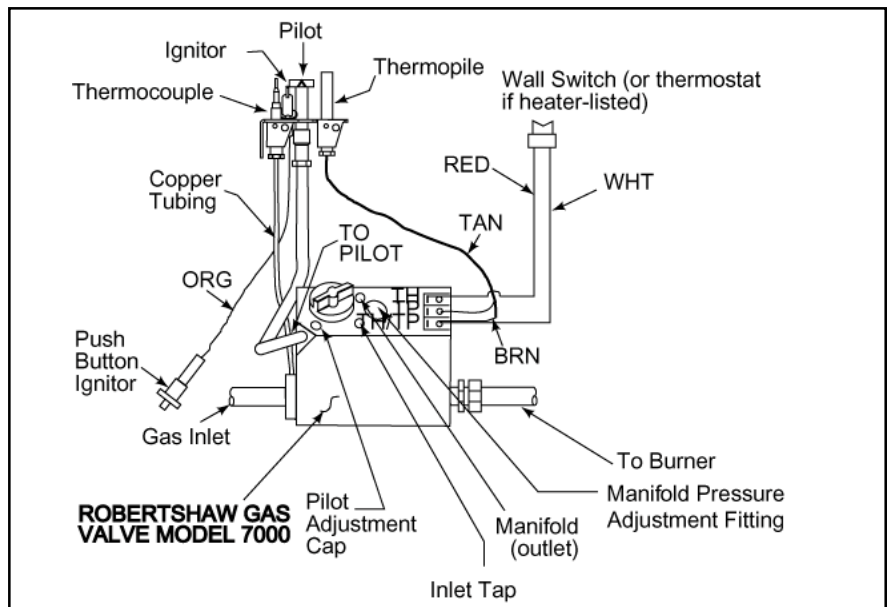


Figure 39 - Standing Pilot Ignition Wiring Diagram

c. Intermittent Pilot Ignition

This appliance is equipped with an intermittent pilot control valve which operates on a 3 volt system. See wiring diagram, Figure 40.

The appliance is supplied with a battery pack and a 3 volt AC transformer, which requires the installation of the supplied junction box. It is highly recommended that the junction box be installed at this time to avoid reconstruction. The battery pack requires two D cell batteries (not included). Batteries cannot be placed in the battery pack while using the 3 volt AC transformer. Conversely, the transformer must be unplugged if the battery pack is used.

Note: This appliance must be electrically wired and grounded in accordance with local codes or, in the absence of local codes, with **National Electric Code ANSI/NFPA 70-latest edition** or the **Canadian Electric Code, CSA C221.1**.

CAUTION:
Battery polarity must be correct or control module damage will occur.

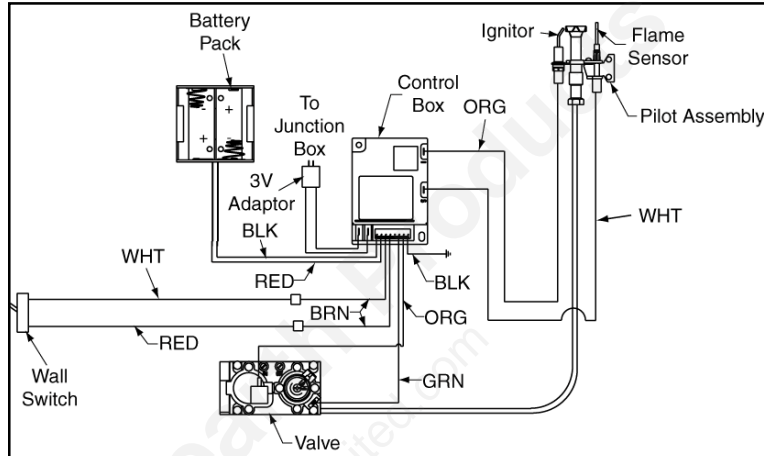


Figure 40 - Intermittent Pilot Ignition Wiring Diagram

d. Junction Box Wiring

We recommend you operate the two outlets on separate circuits, one side hot full time, one side switched. This allows independent operation of the appliance and fan. Independent operation is obtained by using minimum 14-3 with ground Romex and separating the two outlets by breaking out the tab as shown in Figure 41.

5. JUNCTION BOX INSTALLATION INSTRUCTIONS

- a. Remove the junction box assembly from the valve compartment.
- b. If the box is being wired from the OUTSIDE of the appliance:
 - 1) Loosen two screws on the Romex connector, feed the necessary length of wire through the connector and tighten the screws.
 - 2) Make all necessary wire connections to the receptacle and assemble the receptacle and cover to the junction box.
 - 3) Attach the junction box assembly to the outside of the appliance with the two screws provided.
- c. If the box is being wired from the INSIDE of the appliance:
 - 1) Pull the electrical wires from outside the appliance through this opening into the valve compartment.

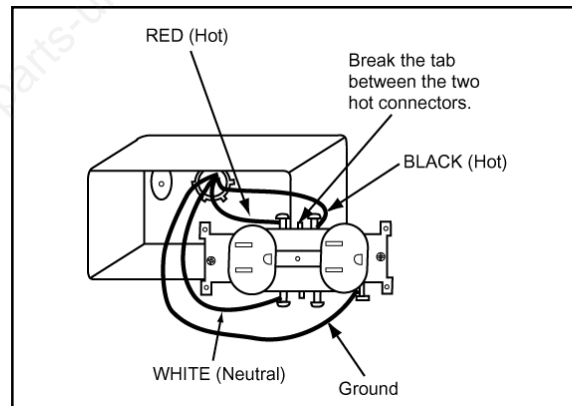


Figure 41 - Junction Box Detail

- 2) Loosen the two screws on the Romex connector, feed the necessary length of wire through the connector and tighten the screws.
 - 3) **Make** all necessary wire connections to the receptacle and assemble the receptacle and cover to the junction box.
 - 4) Attach the junction box assembly to the inside of the appliance with the two screws provided.
- d. If the box is not to be wired at the time of appliance installation, assemble the receptacle and cover to the box and install on the inside of the appliance.

J. FINISHING

1. COMBUSTIBLE FINISHING MATERIAL

Material made of or surfaced with wood, compressed paper, plant fibers, plastics, or any material capable of igniting and burning, whether flame proofed or not, plastered or unplastered (this includes drywall).

2. NONCOMBUSTIBLE FINISHING MATERIAL

Material which will not ignite and burn. Such materials are those consisting entirely of steel, iron, brick, tile, concrete, slate, glass or plasters, or combination thereof, or have a UL Fire rating of Zero (0).

3. HIGH TEMPERATURE SEALANT MATERIAL

Sealants that will withstand high temperatures: General Electric RTV103 (Black) or equivalent; Rutland, Inc. Appliance Mortar #63 or equivalent.

A high temperature sealant, 1/8" wide minimum bead, must be used to close off gaps between the appliance and facing to prevent cold air leaks. See Figure 42.

4. COMBUSTIBLE MANTEL

A combustible mantel may be installed. Please refer to Figure 6, page 8.

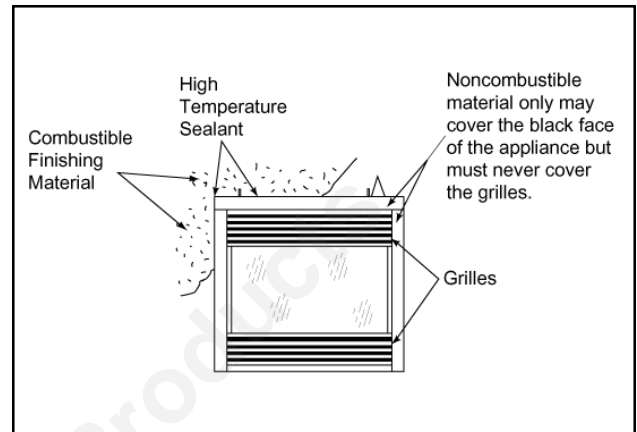


Figure 42 - Finishing Materials



K. APPLIANCE PREPARATION

1. ATTACHING THE HOOD

The hood is to be located above the glass panel. The hood must be attached or a fire hazard may result. Locate the four screws just inside the upper section of the appliance. Position the hood and slide into position. Tighten the four screws. See Figure 43.

2. UPPER GRILLE PANEL REMOVAL

Grasp the upper grille panel and remove the rubber pins holding the grille. See Figure 44.

3. CONTROL ACCESS PANEL REMOVAL

Release the spring pin on the right hand side of the control access panel. See Figure 45.

4. GLASS AND SCREEN REMOVAL

See page 29 of this manual.



Figure 43 - Installing the Hood



Figure 44 - Upper Grille Panel Removal



Figure 45 - Control Access Panel Removal

5. APPLIANCE PREPARATION

a. Log Set

Remove two rubber bands from the log set (see Figure 46) and reassemble. The log set should look similar to that in Figure 47.



Figure 46 - Log Set w/Shipping Bands



Figure 47 - Log Set

b. Placing the Lava Rock and Vermiculite

See Figure 48 for lava rock and vermiculite placement.

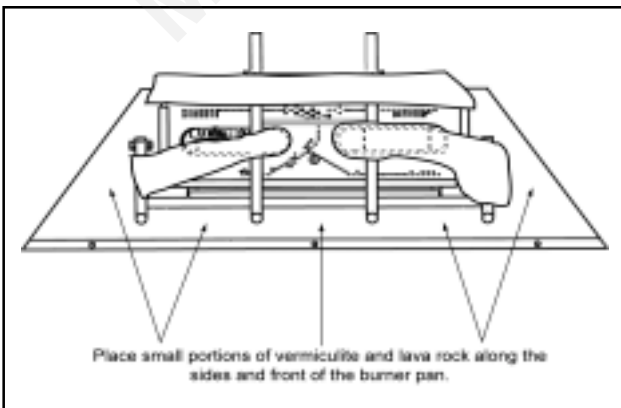


Figure 48
Placing the Vermiculite and Lava Rock
(top logs removed for clarity)

c. Placing the Rock Wool

Place a small amount of 1/2" diameter pieces (dime-size) of rock wool on the burner pan so that the rock wool touches but does not cover the holes in the burner pan. This will provide the "glowing embers" look. See Figure 49.

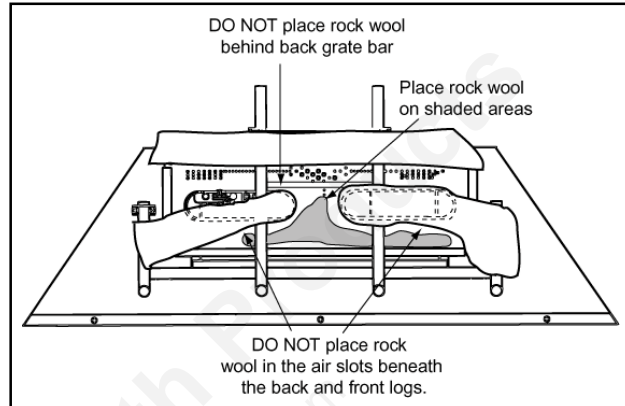


Figure 49
Placing the Rock Wool
(top logs removed for clarity)

6. GLASS AND SCREEN REPLACEMENT

See page 29 of this instruction manual.

WARNING! RISK OF CARBON MONOXIDE!
Do not hit or strike glass. Do not operate this appliance with the glass removed, broken or not sealed.

7. CONTROL ACCESS PANEL PLACEMENT

Place the control access panel as shown in Figure 50.



Figure 50 - Place Control Access Panel

The first name in fireplaces

L. DETERMINING THE IGNITION TYPE

To determine whether your appliance is an intermittent pilot ignition or a standing pilot ignition, open the control access panel to examine the wiring system. If your system has a red ignitor button (as shown in Figure 51), you own a standing pilot ignition appliance. If no red ignitor button is present, you have an intermittent pilot ignition appliance.

You may also check the rating label located on the inside of the control access panel to determine ignition type.

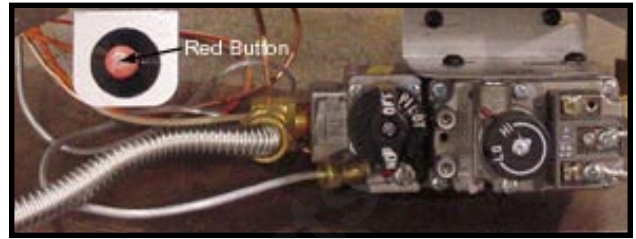


Figure 51 - Standing Pilot Ignition

M. LIGHTING INSTRUCTIONS

1. INTERMITTENT PILOT IGNITION

FOR YOUR SAFETY READ BEFORE OPERATING

WARNING!

If you do not follow these instructions exactly, a fire or explosion may result causing property damage, personal injury or loss of life.

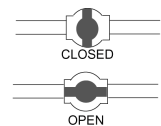
- A. This appliance is equipped with an ignition device which automatically lights the pilot. **Do not** try to light the pilot by hand.
- B. **BEFORE LIGHTING** smell all around the appliance area for gas. Be sure to smell next to the floor because some gas is heavier than air and will settle on the floor.
WHAT TO DO IF YOU SMELL GAS:
 - Do not try to light any appliance.
 - Do not touch any electric switch; do not use any phone in your building.
 - Immediately call your gas supplier from a neighbor's phone. Follow the supplier's instructions.
 - If you cannot reach your gas supplier, call the fire department.
- C. Use only your hand to close the gas line. Never use tools. If the knob will not push in or turn by hand, don't try to repair it; call a qualified service technician. Force or attempted repair may result in a fire or explosion.
- D. Do not use this appliance if any part has been under water. Immediately call a qualified service technician to inspect the appliance and to replace any part of the control system and any gas control which as been under water.

INTERMITTENT PILOT IGNITION LIGHTING INSTRUCTIONS

1. Turn wall switch to the OFF position.
2. This appliance is equipped with an ignition device which automatically lights the pilot. **Do not** try to light the pilot by hand.
3. Wait five minutes to clear out any gas. If you then smell gas, STOP! Follow "B" in the safety information above on this label. If you do not smell gas, go on to the next step.
4. Turn the wall switch to the ON position.
5. If the appliance will not operate, follow the instructions "TO TURN OFF THE GAS TO THE APPLIANCE" and call your service technician or gas supplier.
6. If using the battery pack and the appliance will not operate, check the batteries for sufficient charge and replace if necessary.

TO TURN OFF THE GAS TO THE APPLIANCE

1. Turn off the wall switch.
2. Open control access panel. Turn manual shutoff valve to the CLOSED position. Do NOT force.
3. Close control access panel.



2. STANDING PILOT IGNITION

**FOR YOUR SAFETY
READ BEFORE OPERATING**

WARNING!

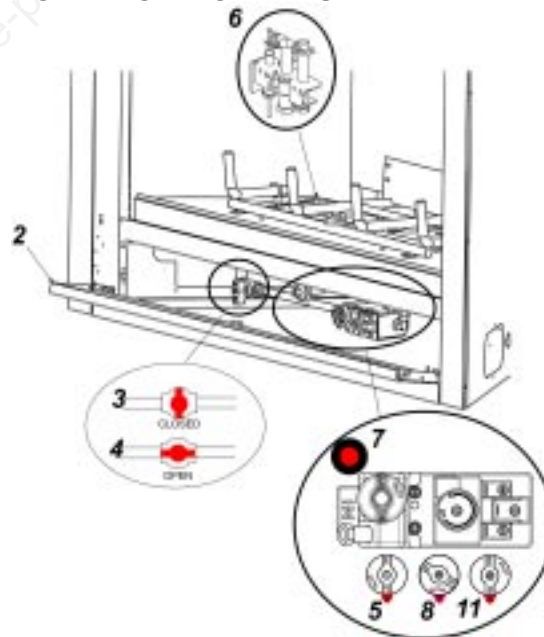
If you do not follow these instructions exactly, a fire or explosion may result causing property damage, personal injury or loss of life.

- A. This gas appliance has a manual ignition device that lights the pilot. When lighting the pilot, follow these instructions exactly.
- B. **BEFORE LIGHTING** smell all around the appliance area for gas. Be sure to smell next to the floor because some gas is heavier than air and will settle on the floor
WHAT TO DO IF YOU SMELL GAS
 - Do not try to light any appliance.
 - Do not touch any electric switch; do not use any phone in your building.
 - Immediately call your gas supplier from a neighbor's phone. Follow the supplier's instructions.
 - If you cannot reach your gas supplier, call the fire department.
- C. Use only your hand to push in or turn the gas control knob to light the pilot. Never use tools. If the knob will not push in or turn by hand, don't try to repair it - call a qualified service technician. Force or attempted repair may result in a fire or explosion.
- D. Do not use the appliance if any part has been under water. Immediately call a qualified service technician to inspect the appliance and to replace any part of the control system and any gas control which has been under water.

LIGHTING INSTRUCTIONS

STOP! READ THE SAFETY INFORMATION ABOVE ON THIS LABEL!

1. Turn wall switch to the "OFF" position or set thermostat to lowest setting.
2. Open control access panel.
3. Turn manual shutoff valve to "CLOSED". Wait 5 minutes to clear out any gas. Then smell for gas, including near the floor. If you smell gas, STOP! Follow "B" in the safety information above on this label. If you don't smell gas, go to the next step.
4. Turn manual shutoff valve to "OPEN".
5. Turn pilot knob clockwise to "OFF". Knob may have to be depressed to pass the "PILOT" position.
6. Locate pilot assembly inside the appliance.
7. Locate red ignitor button.
8. Turn pilot knob to "PILOT" and push in.
9. Continue to hold in pilot knob and push the red ignitor button 12-15 times until small blue pilot flame appears.
10. Continue to hold in pilot knob for approximately one minute. Pilot should remain lit. If pilot goes out, wait 5 minutes and repeat Steps 4-9.
11. Release and turn the knob counterclockwise to "ON". To light main burner, turn wall switch to "ON". Do not light by hand.
12. If the appliance will not operate, follow the instructions "To Turn Off Gas To Appliance" and call your service technician or gas supplier.



TO TURN OFF GAS TO APPLIANCE

1. Turn off the wall switch or set the thermostat to the lowest setting.
2. Open the control access panel.
3. Turn the manual shutoff valve to the "CLOSED" position. Do not force.
4. Close the control access panel.

The first name in fireplaces

N. SEASONAL CHECK LIST

WARNING!

Children and adults should be alerted to the hazards of high surface temperatures and should stay away to avoid burns or clothing ignition. Young children should be carefully supervised when they are in the same room as the appliance.

CAUTION:

Any safety screen or guard removed for servicing this appliance must be replaced prior to operating this appliance.

Clothing or other flammable material should not be placed on or near the appliance.

Note: Installation and repair should be done by a qualified service person. The appliance should be inspected before use and at least annually by a qualified service person. More frequent cleaning may be required due to excessive lint from carpeting, bedding material, etc. It is imperative that control compartments, burners and circulating air passageways of the appliance be kept clean.

BEFORE OPERATING THIS APPLIANCE HAVE A QUALIFIED TECHNICIAN:

- * Review proper placement of logs, rock wool, lava rock, and vermiculite.
- * Check the wiring.
- * Check the air shutter adjustment.
- * Ensure that there are no gas leaks.
- * Ensure that the glass is sealed and in the proper position.
- * Ensure that the flow of combustion and ventilation air is not obstructed.

WARNING!

Keep the area near the appliance clear and free of combustible materials, gasoline and other flammable vapors and liquids.

1. STANDING PILOT OPERATION

- a. Hearth & Home Technologies recommends you leave the pilot on year round.
- b. **Lighting the appliance during regular use:** Turn the wall switch to "ON".
- c. **Shutdown during regular use:** Turn the wall switch to "OFF".

d. To shut down the appliance for a long period of time:

- 1) Turn all wall switches to "OFF".
- 2) Turn pilot knob on valve to "OFF".
- 3) Turn the manual shutoff valve to "CLOSED".
- 4) To relight the pilot and appliance, see page 25.

2. INTERMITTENT PILOT IGNITION OPERATION

- a. **Lighting the appliance during regular use:** Turn the wall switch to "ON".
- b. **Shutdown during regular use:** Turn the wall switch to "OFF".
- c. **To shut down the appliance for a long period of time:**
 - 1) Turn all wall switches to "OFF".
 - 2) Turn the manual shutoff valve to "CLOSED".
 - 3) To relight the appliance, see page 24.

3. FUEL

- a. Do not burn wood or other material in the appliance.
- b. Natural or propane gas conversions necessary to meet the application need to be made by a qualified technician using Hearth & Home Technologies brand specified and approved parts.
- c. In the event your standing pilot appliance must be converted to use propane, you must use a **CKVP** conversion kit. To convert to use natural gas, you must use a **CKVN** conversion kit.
- d. If your intermittent pilot appliance must be converted to use propane, you must use a **DCKP** conversion kit. To convert to use natural gas, use a **DCKN** conversion kit.

O. START-UP ISSUES

ISSUE	SOLUTIONS
1. Condensation on the glass.	1. This is a result of gas combustion and temperature variations. As the appliance warms, this condensation should disappear.
2. Blue flames.	2. This is a result of normal operation and the flames will begin to yellow as the appliance is allowed to burn.
3. Odor from appliance.	3. When first operated, this appliance may release an odor for the first several hours. This is caused by the curing of the paint and the burning off of any oils remaining from manufacturing.
4. Film on the glass.	4. This is a normal result of the curing process of the paint and logs. Glass should be cleaned within 4-6 hours of initial burning to remove deposits left by oils from the manufacturing process. A non-abrasive cleaner, such as Brasso may be necessary.

WARNING!

Never use gasoline, gasoline-type lantern fuel, kerosene, charcoal lighter fluid or similar liquids in this appliance. Keep any flammable liquids a safe distance from the appliance.

The first name in fireplaces

P. MAINTENANCE INSTRUCTIONS

1. CLEANING THE BURNER AND CONTROL COMPARTMENT

Keep the burner and control compartment clean by brushing and vacuuming at least once a year. Failure to do this may shorten the fan's life (where applicable). Always turn off the wall switch (or remote control) and gas valve before cleaning.

2. CHECKING FLAME PATTERNS

Check the flame of the burner periodically, making sure the flames are steady, not lifting or floating. The flame color should be blue with yellow tips. The sensor (intermittent pilot) or thermopile and thermocouple (standing pilot) tips should be covered with flame. See Figures 52-53.

If the vent configuration is installed incorrectly, the vent may cause the flames inside the appliance to lift or "ghost," which is a dangerous situation. Inspect the flames after installation to ensure proper performance. See Figure 54. If the vent configuration is correct, yet the flames are lifting or ghosting, shut off the gas to the appliance and contact the dealer.

Note: If the air shutter is open all the way and the flames remain sooty, shut off gas to the appliance and contact a qualified gas service technician.

Note: The look of the flames and embers may differ based on the type of fuel and venting assembly that is used.

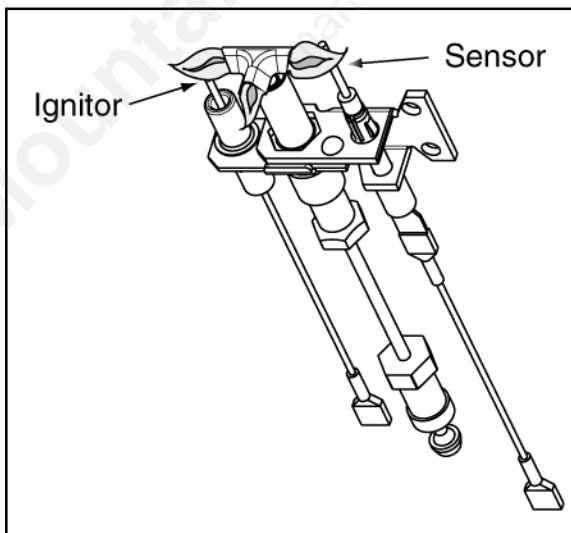


Figure 52 - Intermittent Pilot Ignition Assembly

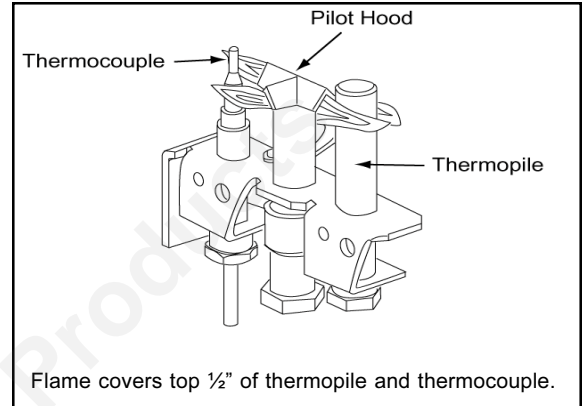


Figure 53 - Standing Pilot Ignition

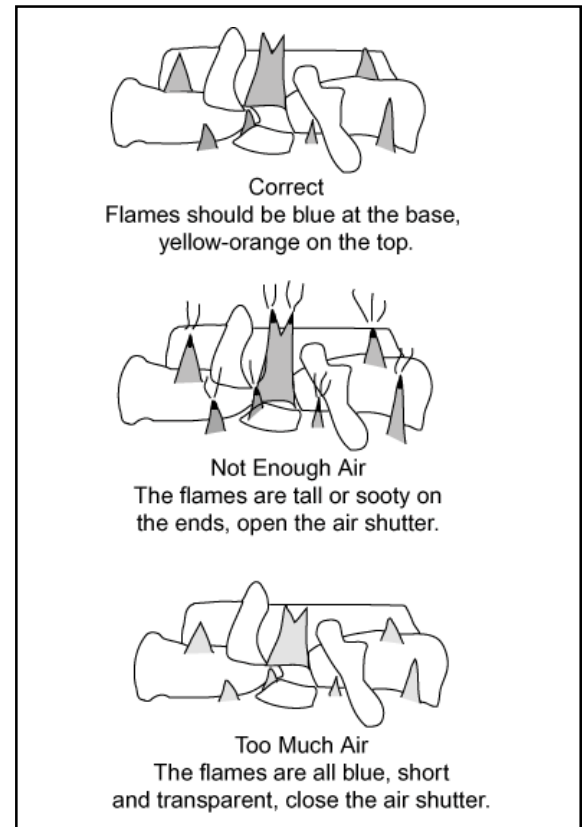


Figure 54 - Flame Patterns

3. VENTING SYSTEM INSPECTION

The appliance and venting system should be inspected before use, and at least annually, by a qualified field service person, to ensure that the flow of combustion and ventilation air is not obstructed.

4. CLEANING THE GLASS (See Figure 55)

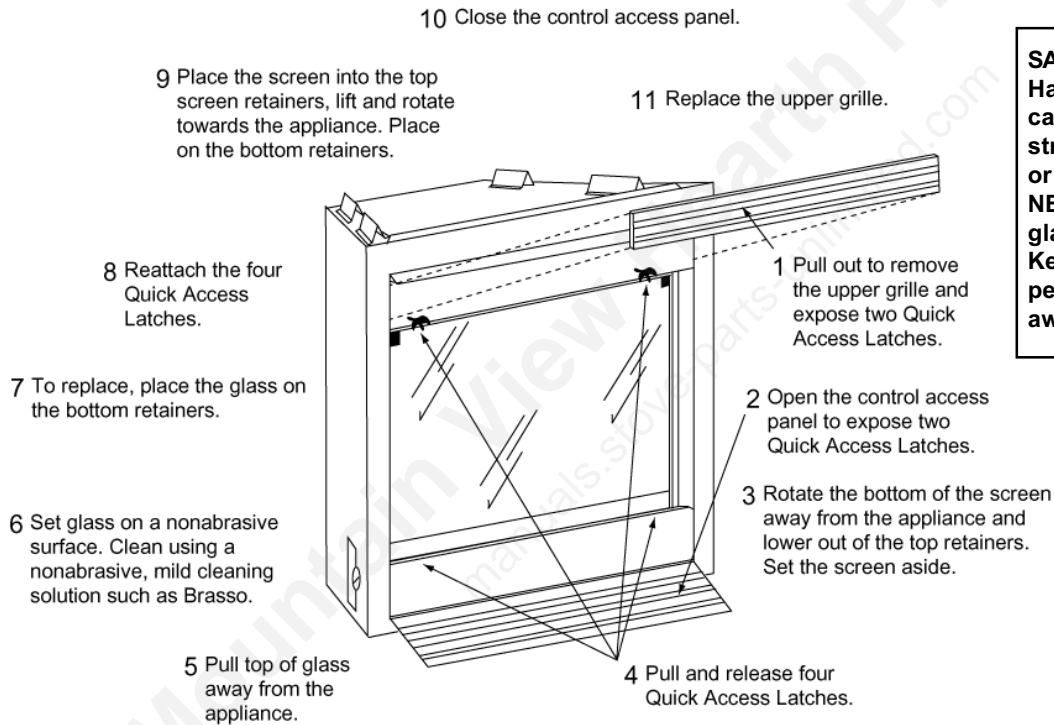
In the event of glass breakage, carefully remove the glass frame. This will allow the removal of all glass

fragments and sheet metal edge protection strips. Vacuum all remaining glass pieces with a shop vac. **DO NOT VACUUM IF THE PIECES ARE HOT!**

Replace glass with only a Heatilator Glass Panel Assembly ordered through your local distributor. Never use substitute material. Only fully tempered soda lime safety glass or ceramic glass may be used on this appliance.

WARNING!

NEVER operate this appliance without the glass properly secured in place or if the glass is broken or chipped.



SAFETY NOTE:
Handle glass with care to avoid striking, scratching or slamming shut. **NEVER** clean the glass when it is hot. Keep children and pets a safe distance away.

Figure 55 - Glass Cleaning



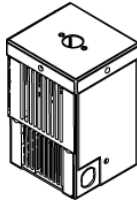
Figure 56 - Log Removal

5. LOG REMOVAL/REPLACEMENT

If removal of the logs becomes necessary, remove two screws at the front of the grate. Grasp the two outside upright grate bars. Pull the log set towards the front of the appliance, up and off the burner. See Figure 56.

To replace the logs, grasp the two outside upright grate bars. Push and lower the log set onto the burner pan, making sure the back of the left most grate bar slides through the grate mounting bracket attached to the hearth pan. Attach two screws at the front of the grate.

Q. OPTIONAL COMPONENTS

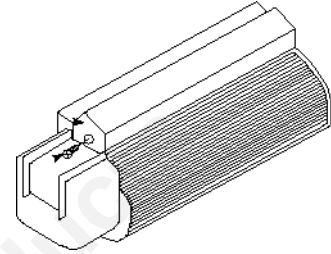


BC10
Fan Motor Rheostat

BC11
Automatic Variable Blower
Control

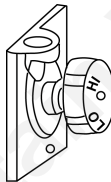
BC12
Variable Fan Speed
w/Thermostat Control

BC14
Automatic Variable Blower
Control

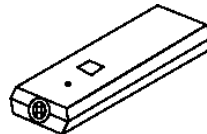


FK4
Fan Kit (33" & 36" appliances only)

FK21
Fan Kit (30" appliances only)



MF1, MF2
Variable Flame Control
(Standing Pilot)



RC-SMART-HTL
Remote Control

RC-BATT-HTL
Battery-operated Remote
Control
(Standing Pilot)

RCT-MLT-HTL
Multi-Function
Remote Control

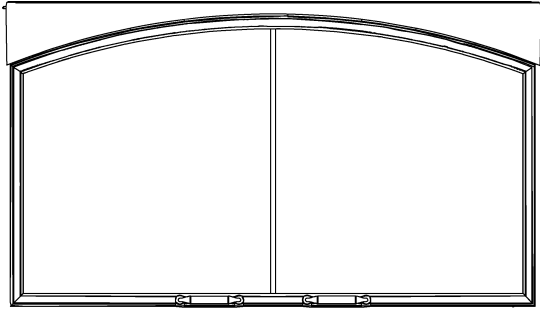
SMART-STAT-HTL
Remote Control with
Thermostat Control

SMART-BATT-HTL
Battery-operated Remote
Control

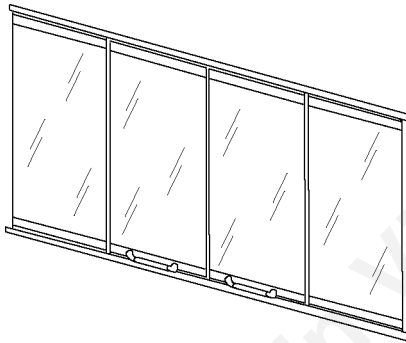


WSK-MLT-HTL
Multi-Function Wall Switch

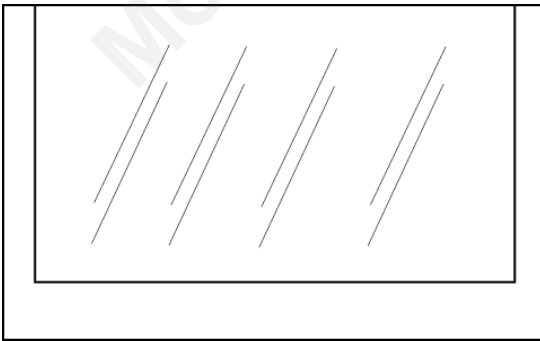
OPTIONAL COMPONENTS (con't)



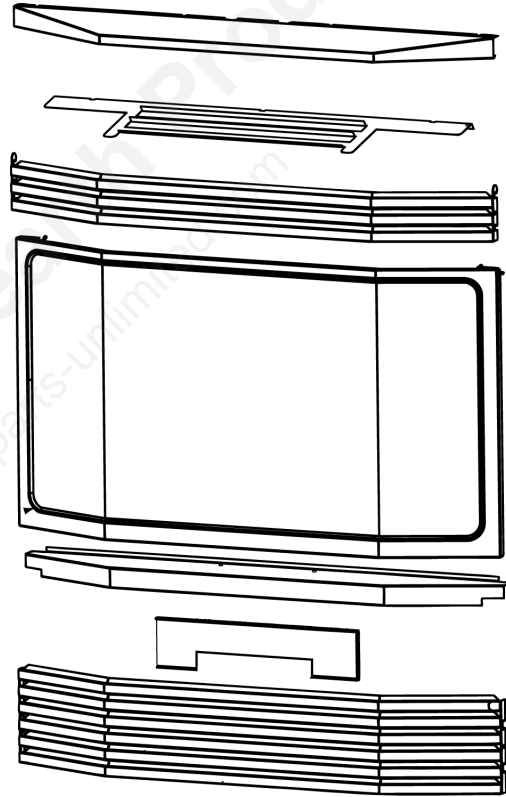
DFA 30/B/S
DFA 33/B/S
DFA 36/B/S
Arched Glass Door



DFN0B/S
DFN3B/S
DFN6B/S
Fixed Glass Door



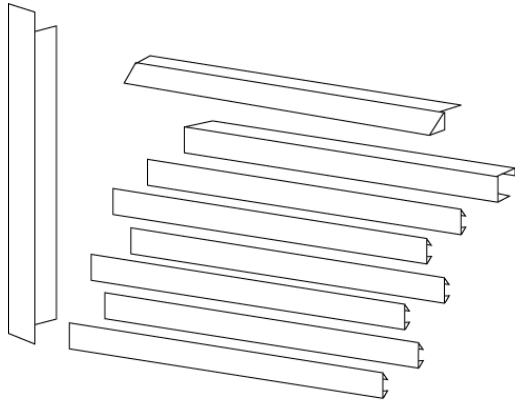
GP30
Ceramic Glass - 30"
GP33
Ceramic Glass - 33"
GP36
Ceramic Glass - 36"



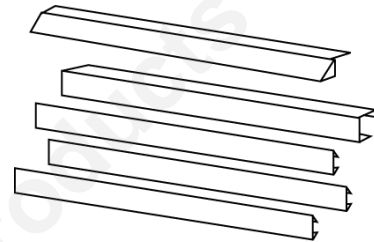
DFBN36
Bay Doors
(36" appliances only)

The first name in fireplaces

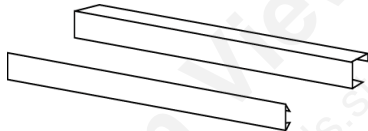
OPTIONAL COMPONENTS (con't)



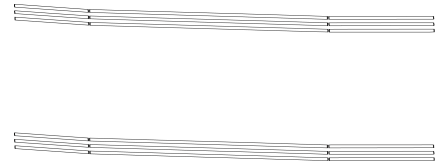
TKN02S - 30"
TKN32S - 33"
TKN62B - 36"
Full-Face Trim Kits
(not available for rear vent
appliances)



TKN03B/S - 30"
TKN33B/S - 33"
TKN63B/S - 36"
Trim Kits



TKN05B/S - 30"
TKN35B/S - 33"
TKN65B/S - 36"
Trim Kits



TKB6
Polished Brass Trim Kit
for Bay Door
(36" appliances only)



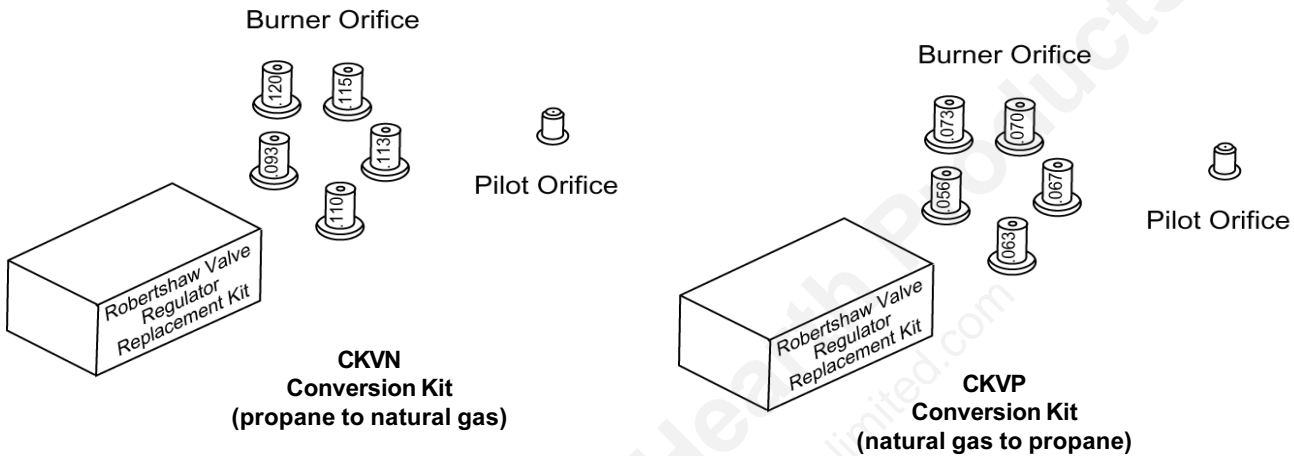
CABTRIM2, CABTRIM3
Cabinet Trim



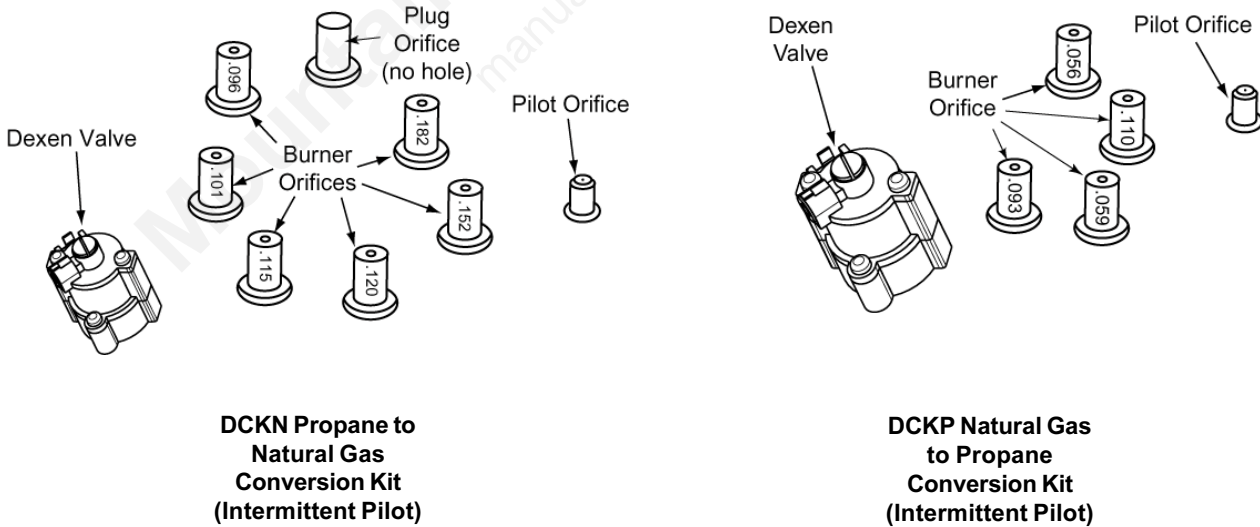
QKE1B, QKE2B
Quick Tile Brass Surround

OPTIONAL COMPONENTS (con't)

ROBERTSHAW STANDING PILOT CONVERSION KITS



DEXEN INTERMITTENT PILOT CONVERSION KITS



The first name in fireplaces

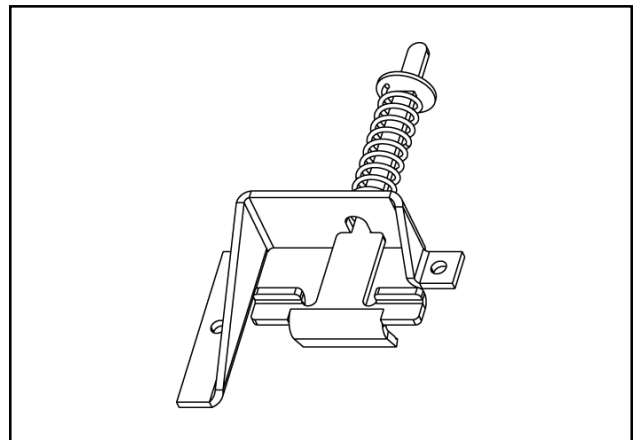
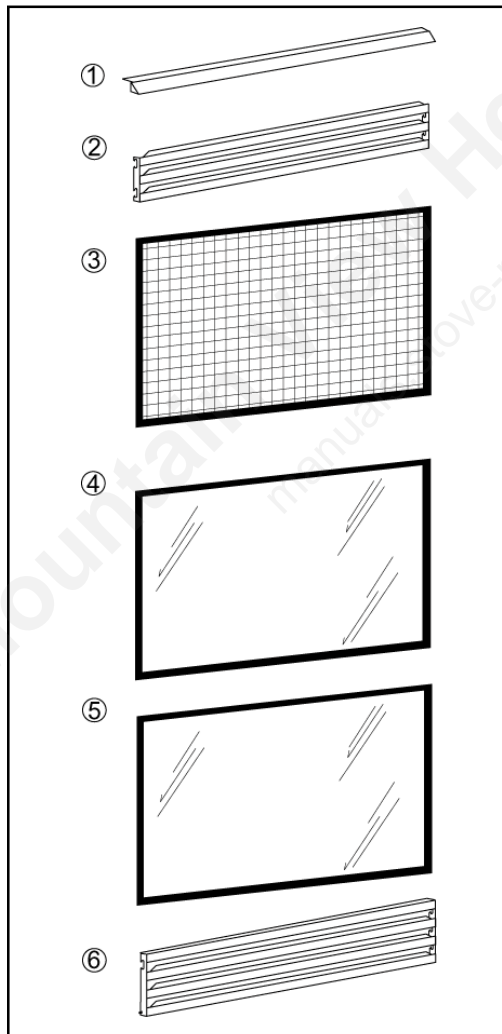
R. REPLACEMENT PARTS

Replacement parts are available from your distributor/dealer.



8

Item #	Part #	Description	Qty.
1	21993	Hood - 36"	1
	21992	Hood - 33"	1
	21991	Hood - 30"	1
2	22123	Upper Grille - 36"	1
	22122	Upper Grille - 33"	1
	22121	Upper Grille - 30"	1
3	26804	Screen Assembly - 36"	1
	26803	Screen Assembly - 33"	1
	26802	Screen Assembly - 30"	1
4	22712	GNDC/RC36 Glass w/Frame	1
	22711	GNDC/RC33 Glass w/Frame	1
	22710	GND30 Glass w/Frame	1
5	22715	GNDH/RH36 Glass w/Frame	1
	22714	GNDH33 Glass w/Frame	1
	22713	GNDH30 Glass w/Frame	1
6	21582	Lower Grille - 36"	1
	21581	Lower Grille - 33"	1
	21580	Lower Grille - 30"	1
7	33858	Quick Access Latch	
8	34051	33/36" Novus Log/Grate Assy.	1
	34923	30" Novus Log/Grate Assy.	1



7 - Quick Access Latch

Visit our Website at www.heatilator.com for a dealer/distributor near you!

Index

- A**
 Appliance Locations 7
 Appliance Preparation 22
 Attaching the Hood 22
 Lava Rock 23
 Lot Set 22
 Rock Wool 23
 Upper Grille Panel Removal 22
 Vermiculite 23
- B**
 Blower Control 30
 Blue Flames 27
 BTUs 20
 Building Codes 3
 Burner and Control Compartment 28
- C**
 Certification 3
 Chase/Termination Installation 16
 Cleaning the Glass 29
 Clearances 6, 7
 Codes 3
 Building 3
 Electric 20, 21
 Gas 3, 19
 Combustible Finishing Material 22
 Condensation on the Glass 27
 Conversion Kits 19, 26, 33
- D**
 Dimensions
 Rear Vent Appliance 6
 Top Vent Appliance 6
 Doors 31
- E**
 Electric Codes 20, 21
 Exterior Wall Thickness 9
- F**
 Fan Kit 30
 Finishing Materials 22
 Combustible 22
 High Temperature Sealant 22
 Mantel 22
 Noncombustible 22
 Firestop Spacer 16
 Flame Patterns 28
 Framing 8
 Fuel 26
 Fuel Conversions 19, 26
- G**
 Gas Codes 3, 19
 Gas Line Connection 19
 Gas Pressure 19
 Glass
 Cleaning 29
 Condensation 27
 Film on 27
 Specifications/Certifications 3
- H**
 Heat Shield 16
 High Altitude Installation 19
 High Temperature Sealant Material 22
 Hood 22
- Horizontal Installations 5
 Horizontal Termination
 Rear Vent
 45° Elbow 9
 Clearances 9
 No Elbows 9
 Three Elbows 10
 Two Elbows 10
 Top Vent 10
 Clearances 10
 One Elbow 10, 11
 Three Elbows 11
 Two Elbows 11
 Vent Lengths 10
- I**
 Ignition
 Determining the Type 24
 Intermittent Pilot 24
 Standing Pilot 25
 Input Rates 20
 Interior Wall Shield 15
- J**
 Junction Box
 Wiring 21
 Junction Box Installation 21
- L**
 Lava Rock 23
 Lighting Instructions
 Intermittent Pilot Ignition 24
 Standing Pilot Ignition 25
 Locations 6, 7
 Log Removal/Replacement 29
 Lot Set 23
- M**
 Maintenance 28
 Burner & Control Compartment 28
 Checking the Flame Patterns 28
 Mantel 8, 22
 Minimum Installation (MI) Sections 18
- N**
 Nomenclature 4
 Noncombustible Finishing Material 22
- O**
 Odor 27
 Optional Components 30
- P**
 Appliance Specifications 3
- Q**
 Quick Access Latch 34
- R**
 Rear Vent Heat Shield 16
 Replacement Parts 34
 Rock Wool 23
- S**
 Seasonal Check List 26
 Fuel 26
 Intermittent Pilot Ignition Operation 26
 Standing Pilot Operation 26
 Setting the Appliance 8
 Slip Sections 18
- Space Requirements 7
 Standing Pilot 20
 Operation 26
 Standing Pilot Ignition 28
 Standing Pilot Ignition Wiring Diagram 20
 Start-up Issues 27
 Blue Flames 27
 Film on the Glass 27
 Odor 27
- T**
 Termination Cap Location 12
- U**
 Upper Grille 22
 Utilities 19
 Gas Line Connections 19
 Gas Pressure 19
 High Altitude Installation 19
- V**
 Vent Assembly 17
 Assembling Minimum Installation (MI)
 Sections 18
 Assembling the Slip Sections 18
 Assembling Vent Sections 17
 Attaching Venting to the Appliance 17
 Disassembling Vent Sections 18
 Venting 9
 45° Elbow 9
 Framing & Construction 15
 Chase/Termination Installation 16
 Firestop Spacer Installation 16
 Interior Wall Shield Installation 15
 Rear Vent Heat Shield Installation 16
 Vertical Termination Cap Installation 17
 Horizontal Termination, Rear Vent 9
 No Elbows 9
 Three Elbows 10
 Top Vent 10
 Two Elbows 10
 Vertical Termination 13
 Rear Vent 13
 Venting System Inspection 29
 Vermiculite 23
 Vertical Installations 5
 Vertical Termination
 Rear Vent
 Clearances 13
 Vent Lengths 13
 Top Vent 14
 Clearances 14
 Vent Lengths 14
 Vertical Termination Cap 17
- W**
 Wall Shield 15
 Wall Switch 30
 Wiring
 Diagram
 Intermittent Pilot 21
 Standing Pilot 20
 Junction Box 21

heatilator®

The first name in fireplaces

Gas Appliance (Fireplace) Limited Lifetime Warranty

HEARTH & HOME TECHNOLOGIES (“HHT”) extends the following warranty for HEATILATOR® gas appliances installed in the United States of America or Canada (the “Appliance”). Dealers and employees of HHT have no authority to make any warranty or authorize any remedies in addition to or inconsistent with the terms of this warranty.

Limited Lifetime Warranty

HHT warrants the Appliance for component failure due to a manufacturing defect of any of the following components: combustion chamber, burner pan, and logs. The Limited Lifetime Warranty specified above is subject to the conditions, exclusions and limitations listed below, is for the period the Appliance is owned by the original homeowner only, and is nontransferable.

1 Year Limited Warranty

HHT warrants the Appliance to be free from failure of any of the following components for a period of one year after installation: valve, flexible gas line connector, glass panel, fan, direct vent chimney components, factory paint, gasket, piezo ignitor, thermopile, thermocouple, junction box, pilot assembly, shutoff valve, high limit switch, refractory liners, transformer, and control box. If the Heatilator Appliance is found to be defective in either material or workmanship within one year of the date of original installation, HHT will provide replacement parts at no charge and pay reasonable labor and freight costs, and is for the period of one year following the date of original installation of the Appliance.

Conditions, Exclusions, & Limitations of Liability

- A. Both the Limited Lifetime and 1 Year Limited Warranties supplied by HHT apply only while the Appliance is in its location of original installation. HHT’s obligation under this warranty does not extend to damages resulting from (1) installation, operation or maintenance of the Appliance not in accordance with the Installation Instructions, Operating Instructions, and the Listing Agent Identification Label furnished with the Appliance; (2) installation which does not comply with local building codes; (3) shipping, improper handling, improper operation, abuse, misuse, accident or unworkmanlike repairs; (4) environmental conditions, inadequate ventilation or drafting caused by tight sealing construction of the structure, air handling devices such as exhaust fans or forced air furnaces, or other causes; (5) use of fuels other than those specified in the Operating Instructions; (6) installation or use of components not supplied with the Appliance or any other components not expressly authorized and approved by HHT; and/or (7) modification of the Appliance not expressly authorized and approved by HHT in writing. This warranty is limited to only the component parts manufactured or supplied by HHT.
- B. HHT’s liability under both the Limited Lifetime Warranty and the 1 Year Limited Warranty is limited to the replacement and repair of defective components or workmanship during the applicable period. HHT may fully discharge all of its obligations under such warranties by repairing the defective component(s) or at HHT’s discretion, providing replacement parts at no charge and paying reasonable labor and freight costs.
- C. **EXCEPT TO THE EXTENT PROVIDED BY LAW, HHT MAKES NO EXPRESS WARRANTIES OTHER THAN THE WARRANTY SPECIFIED HEREIN. THE DURATION OF ANY IMPLIED WARRANTY IS LIMITED TO DURATION OF THE WARRANTY SPECIFIED ABOVE.**
- D. Some states do not allow exclusions or limitations of incidental or consequential damages, so those limitations may not apply to you. This warranty gives you specific rights; you may also have other rights which vary from state to state.

How to Obtain Service

To obtain service under this warranty you must:

1. Send written notice of the claimed condition to Heatilator Technical Service Department, Hearth & Home Technologies, 1915 W. Saunders Street, Mt. Pleasant, Iowa 52641-1563. You may also register your claim online at www.heatilator.com/contact.asp.
2. Provide proof of purchase, model number, serial number, and manufacturing date code to HHT.
3. Provide HHT reasonable opportunity to investigate the claim, including reasonable opportunity to inspect the Appliance prior to any repair or replacement work and before the Appliance or any component of the Appliance has been removed from the place of original installation.
4. Obtain HHT’s consent to any warranty work before the work is done.

ADDITIONAL INFORMATION. If you would like information on current HEATILATOR products or want to locate a dealer in your area, call 1-800-843-2848.

©2001 Heatilator® is a Registered Trademark of Hearth & Home Technologies