

Outside Air Kit - Installation Instructions

Part: OAK-ACC



For Wood Appliances:

2100 MILLENNIUM
2700 INSERT
3100 INSERT
3100 MILLENNIUM
4100 INSERT
4300 MILLENNIUM
4300 STEP TOP

5100 INSERT
5700 STEP TOP
DISCOVERY I
DISCOVERY II
DISCOVERY III
WS18
WS22

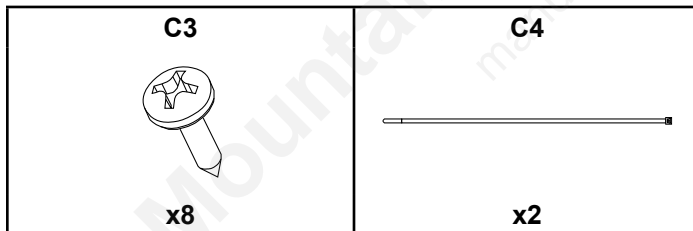
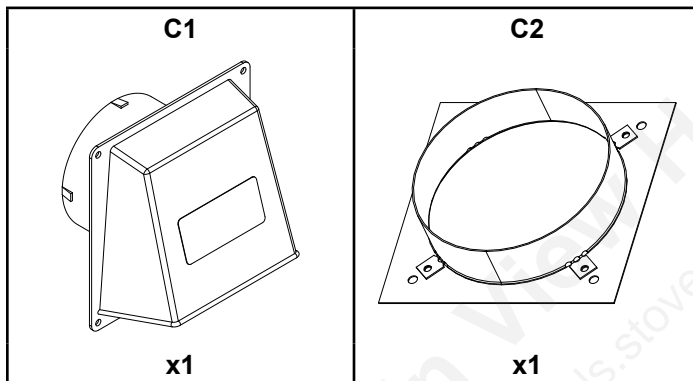
WINS18
EXPLORER I
EXPLORER II
EXPLORER III
VOYAGEUR INSERT
VOYAGEUR GRAND INSERT
MONTP-II

Included in kit:

- (1) Termination Cap (C1)
- (1) Flex Adapter (C2)
- (8) #8 x 1/2 inch Screws (C3)
- (2) 16 inch Wire Ties (C4).

Tools Required:

- Powered Drill
- Saw
- Phillips Head Screwdriver
- (4) inch Aluminum Flex Pipe
- High Temp Silicone (500°F).



WARNING

Fire Risk and Asphyxiation Risk.
Do not draw outside combustion air from:

- Wall, floor or ceiling cavity
- Enclosed space such as an attic or garage
- Close proximity to exhaust vents or chimneys

Fumes or odor may result

WARNING

Asphyxiation Risk.
Outside air inlet must be located to prevent blockage from:

- Leaves, snow or ice or other debris

Block may cause combustion air starvation
Smoke spillage may set off alarms or irritate sensitive individuals.

WARNING

Asphyxiation Risk.
Length of outside air supply duct shall NOT exceed the length of the vertical height of the exhaust flue.

- Fire will not burn properly
- Smoke spillage occurs when door is opened due to air starvation.

WOOD FREESTANDING APPLIANCES

2100 MILLENNIUM
3100 MILLENNIUM
4300 MILLENNIUM
4300 STEP TOP

5700 STEP TOP
DISCOVERY I
DISCOVERY II
DISCOVERY III

EXPLORER I
EXPLORER II
EXPLORER III

Using a #2 Phillips screwdriver attach the Flex Adapter (C2) to the stove using #8 x 1/2 inch Screws (C3) (Figure 1 & Figure 2).

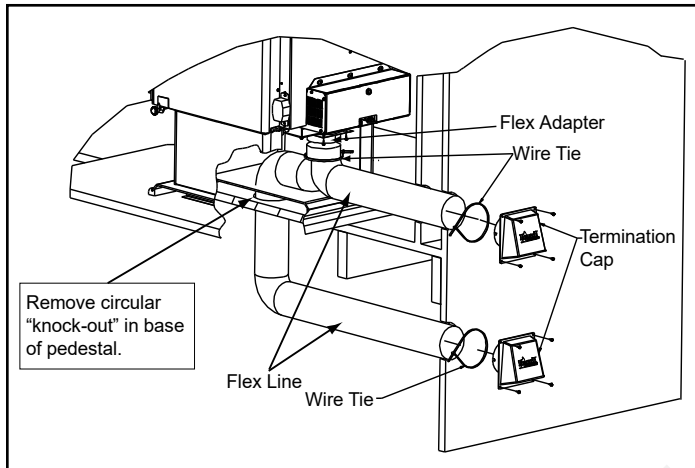


Figure 1

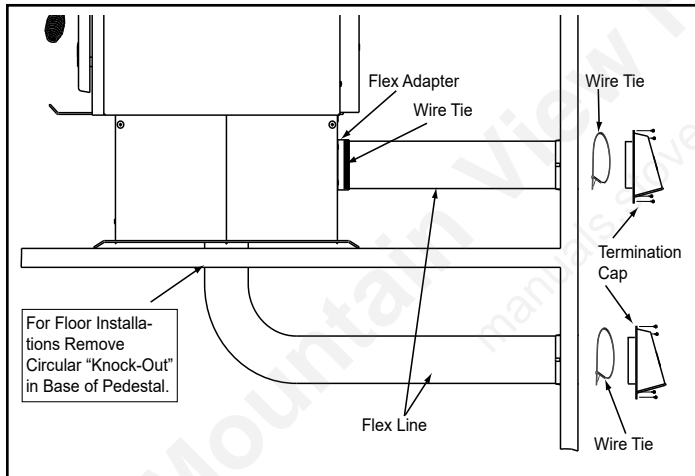


Figure 2

For Pedestal Models:

Remove circular “knock-out” in the base of the pedestal (Figure 1 & Figure 2).

Floor & Rear Installation:

Cut a 4 inch hole in outside wall or floor to accommodate outside air piping. Use 4 inch aluminum metal flex or rigid piping to directly connect outside air to appliance intake. Use the supplied Termination Cap (C1). Seal between the wall (or floor) and the pipe with silicone to prevent moisture penetration.

Floor Installation Alternative:

In some instances you may not be able to install the flex pipe as show in Figure 1.

If that is the case, you will need to order:

- 3100 Millennium: SRV7033-041
- 4300 Millennium: SRV7033-041
- 4300 Step Top: SRV7033-041
- 5700 Step Top: SRV7038-024

This kit includes a rear cover plate, sealing rope and screws as shown in Figure 3. The goal is to seal the pedestal so no room air can leak into the pedestal.

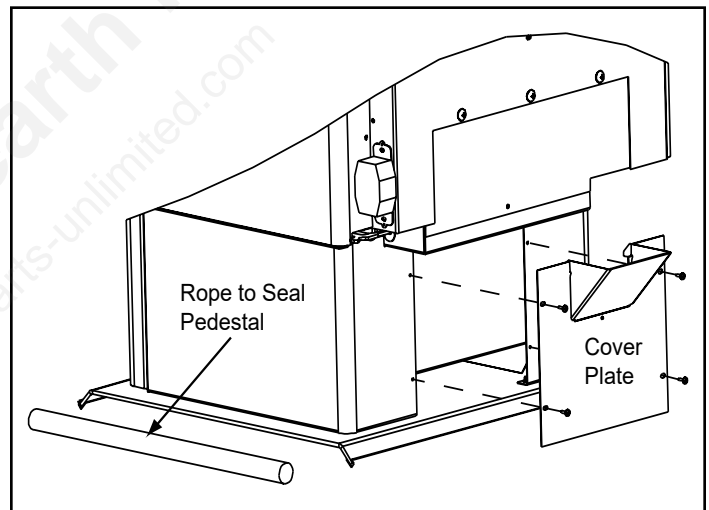


Figure 3

WOOD INSERT APPLIANCES

2700 INSERT
3100 INSERT
4100 INSERT

5100 INSERT
MONTP-II

The outside air cover plate comes packaged with the component pack of your appliance. It is necessary to remove the blower housing and block off the room air with the outside air cover. There are two options, see below:

Option One

1. Remove the outside air cover plate from the outer can of the appliance and discard Use **Figure 4, Figure 5, Figure 6, Figure 7, Figure 8 or Figure 9** for location on your appliance.
2. Install Flex Adapter (**C2**) to outer can.

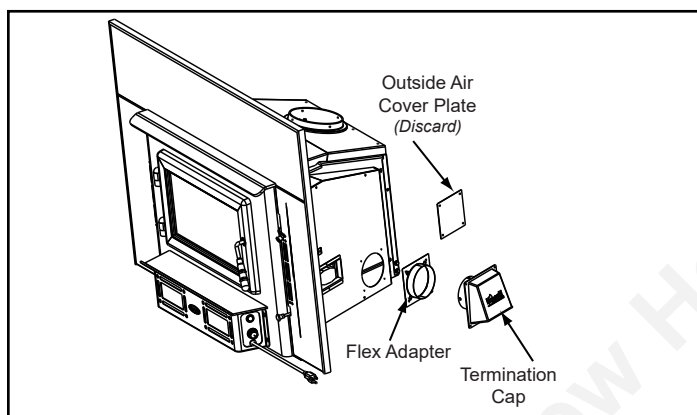


Figure 4 - 2700 Insert ACC Model

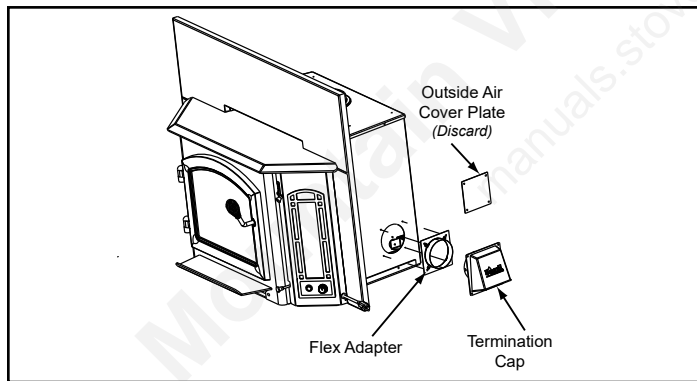


Figure 5 - 3100 Insert ACC Model

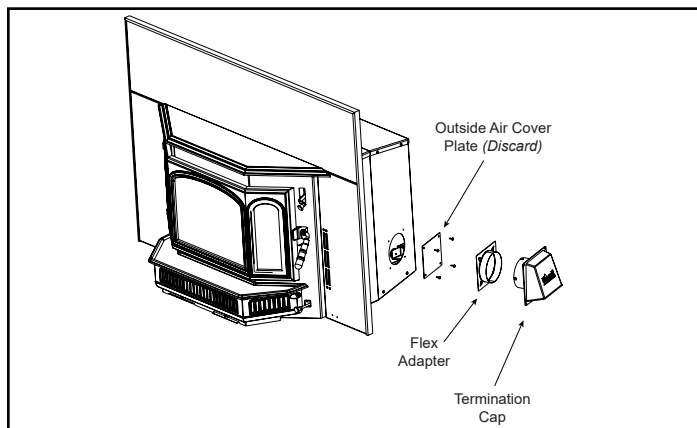


Figure 6 - 4100 Insert ACC Model

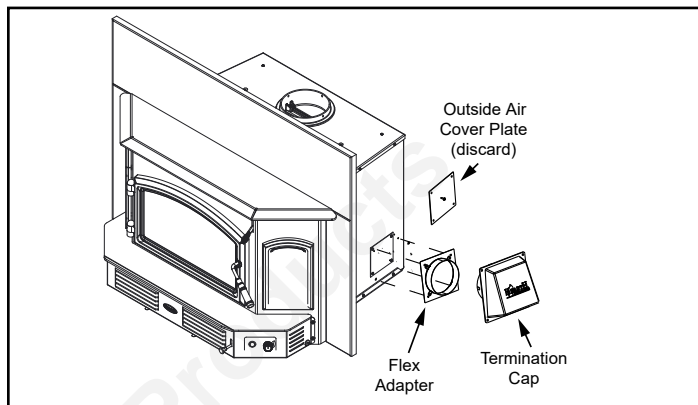


Figure 7 - 5100 Insert ACC Model

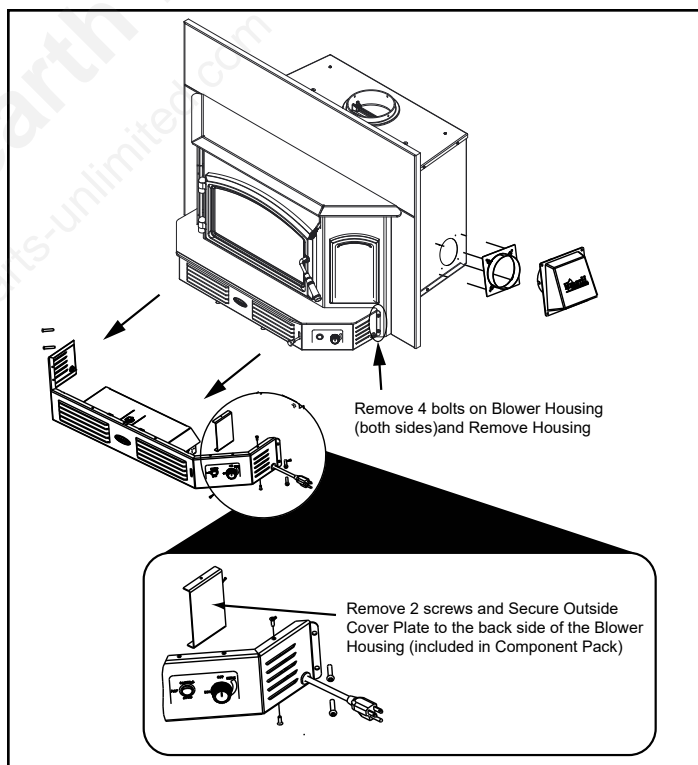


Figure 8 - 5100 Insert ACC Model

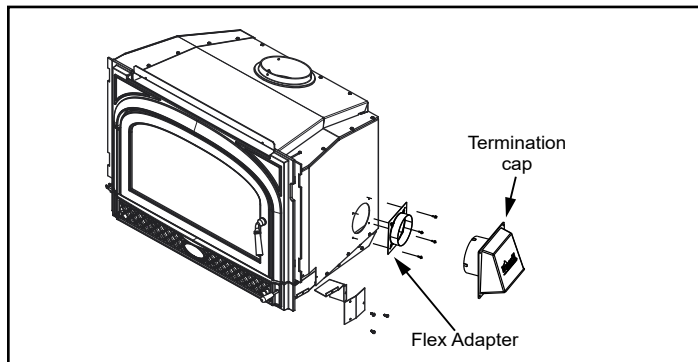


Figure 9 - MONTP-II

NOTE: Do not use 16 inch Wire Ties (C4) that come with the kit as they will melt. You may need to install the flex pipe into the firebox first depending on installation. Attach flex to adapter with at least two (2) #8 x 1/2 inch Screws (C3).

3. Ensure existing access hole in fireplace is sufficient to feed the four (4) inch flex.
4. After sliding can into fireplace, feed flex into cut opening to obtain outside combustion air.
5. Level outer can and install appliance.
6. Remove four (4) bolts from both sides of the blower housing and remove the housing.
7. Remove two (2) Phillips head screws from housing and save.
 - 5100 Insert: Attach outside air cover plate to the blower (Figure 8 on page 3).
 - 2700 Insert and 4100 Insert: see instructions that come with your panel set.
 - 3100 Insert: see instructions that come with your blower kit.

Option Two

1. Remove the outside air cover plate from the outer can of the appliance and discard. Use Figure 4, Figure 5, Figure 6, Figure 7 or Figure 8 on page 3 for location on your appliance.

NOTE: Ensure existing access hole in fireplace with not be covered by the outer can. Existing outside air intake hole may be under at the rear of side of outer can. Outside air may also enter down existing chimney chase in some situations.

2. Level outer can and install appliance.
3. Remove four (4) bolts from both sides of the blower housing and remove the housing.
4. Remove two (2) Phillips head screws from housing and save.
5. After installing the appliance in the outer can, seal the appliance opening and trim package with insulation to prevent air leakage into the room.

WOOD CAST INSERT APPLIANCES

VOYAGEUR INSERT

VOYAGEUR GRAND INSERT

Option One

1. Swing grille down to expose the two screws (Figure 9).

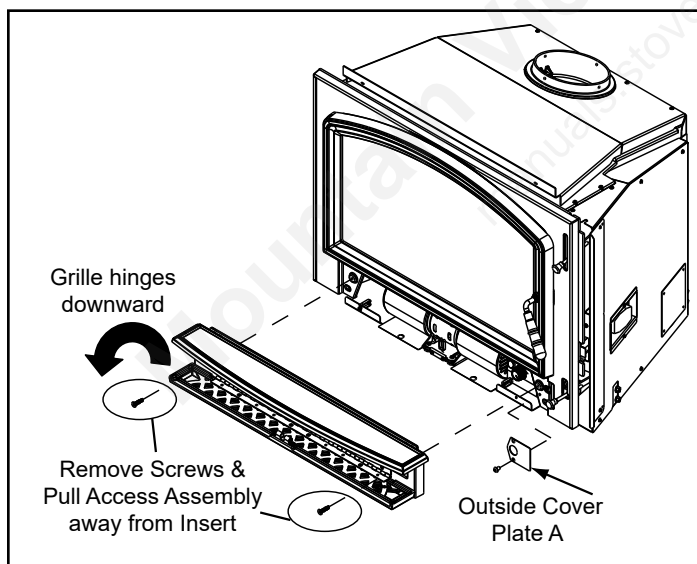


Figure 9

2. Remove the two screws and pull the access assembly away from the appliance.
3. Assemble the outside air cover plate A supplied in component pack.
4. Re-install the access assembly.
5. Remove the outside air cover plate B on outer can and discard (Figure 10).

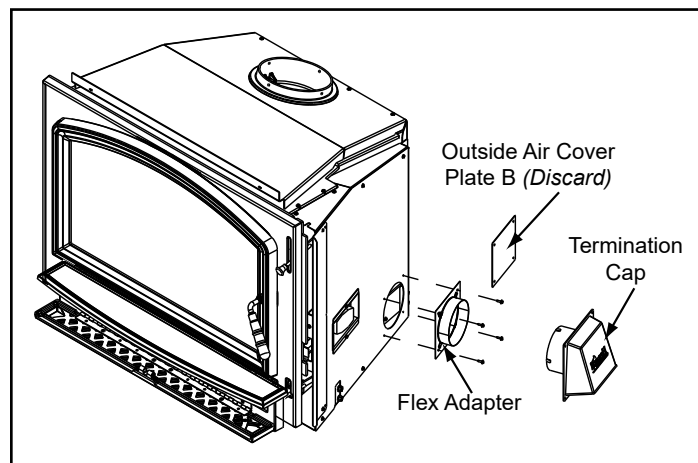


Figure 10

6. Install optional Flex Adapter (**C2**) to outer can.

NOTE: Do not use plastic wire ties that come with the kit as they will melt. You may need to install the flex pipe into the firebox first depending on installation. Attach flex to adapter with at least two (2) screws.

7. Ensure existing access hole in fireplace is sufficient to feed the four (4) inch flex.
8. After sliding can into fireplace, feed flex into cut opening to obtain outside combustion air.
9. Level outer can and install appliance.

Option Two

1. Follow steps 1-5 in Option One from page 4.
2. Ensure existing access hole in fireplace will not be covered by the outer can. Existing outside air intake hole may be under at the rear or side of outer can. Outside air may also enter down existing chimney chase in some situations.
3. Repeat step 9 under Option One with one exception. After installing the appliance in the outer can, seal the fireplace opening and trim package with insulation to prevent air leakage into the room.

ECO-CHOICE WOOD FREESTANDING APPLIANCES

WS18

WS22

Rear:

1. Remove the access cover on the back of the pedestal and discard (**Figure 11**).

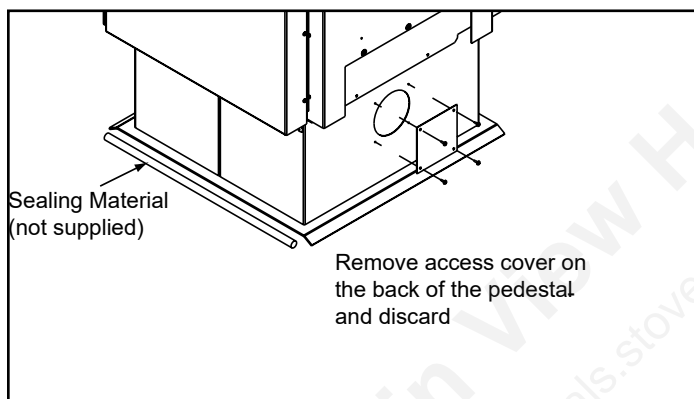


Figure 11

2. Using a #2 Phillips screw driver attach the Flex Adapter (**C2**) to the appliance using four (4) #8 x 1/2 inch Screws (**C3**); secure with 16 inch Wire Ties (**C4**) (**Figure 12**).

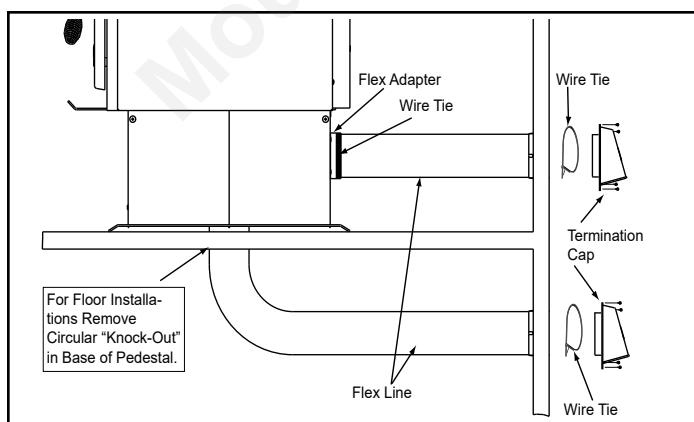


Figure 12

Floor:

1. Remove the circular "knock-out" in the base of the pedestal (**Figure 12**).
2. Using a #2 Phillips screw driver attach the Flex Adapter (**C2**) to the appliance using four (4) #8 x 1/2 inch Screws (**C3**); secure with 16 inch Wire Ties (**C4**) (**Figure 12**).

Floor & Rear Installation:

Cut a four (4) inch hole in outside wall or floor to accommodate outside air piping. Use four (4) inch aluminum metal flex or rigid piping to directly connect outside air to appliance intake. Use the supplied Termination Cap (**C1**). Seal between the wall (or floor) and the pipe with silicone to prevent moisture penetration.

Floor Installation Alternative:

In some instances you may not be able to install the flex pipe as show in **Figure 12**. If that is the case, follow the instructions for a rear installation install the flex pipe to the rear of the pedestal and remove the circular "Knock-Out" in the base of the pedestal. You must seal off the pedestal with non-combustible material (not supplied). The goal is to seal the pedestal so no room air can leak into the pedestal and to seal for cold air infiltration (**Figure 11**).

1. Remove the Rear Outside Air Cover Plate on outer can and discard; reserve screws (**Figure 13**).

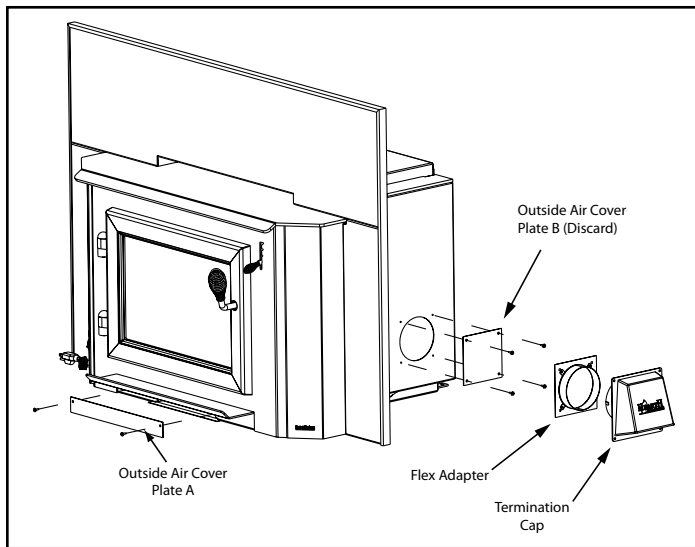


Figure 13

2. Install Front Outside Air Plate; this is found in component pack of your appliance, using two (2) screws from the step 1 reserved screws.

NOTE: Ensure existing access hole in fireplace will not be covered by the outer can. Existing outside air intake hole may be under at the rear or side of outer can. Outside air may also enter down existing chimney chase in some situations.

3. Install appliance.

Outside Air Kit Option

4. Remove the outside air cover plate B on outer can and discard (**Figure 13**).
5. Install Front Outside Air Plate; this is found in component pack of your appliance, using two (2) screws from the step 1 reserved screws.
6. Install optional Flex Adapter (**C2**) to outer can with the same screws.

NOTE: Do not use plastic wire ties that come with the kit as they will melt. You may need to install the flex pipe into the firebox first depending on installation. Attach flex to adapter with at least two (2) screws.

7. Ensure existing access hole in fireplace is sufficient to feed the four (4) inch flex.
8. After sliding can into fireplace, feed flex into cut opening to obtain outside combustion air.
9. Install appliance.