

heatilator®

THE WOODBURNING SPECIALISTS

Heatilator Inc.
1915 W. Saunders Street
Mt. Pleasant, IA 52641
Division, HON INDUSTRIES

TD42B INSTALLATION & OPERATING INSTRUCTIONS FOR RESIDENTIAL USE

I. LISTINGS AND CODE APPROVALS

The TD42B fireplace system has been tested in accordance with Underwriters Laboratories Inc. Standards, and has been LISTED by them for installation and operation as described in these Installation & Operating Instructions.

Fireplace Catalog Number TD42B has been tested and LISTED for use with the Optional Components described in Section II of these Instructions. These Optional Components may be purchased separately and installed at a later date. However, installation of the Outside Air Kit will require significant reconstruction, and should be installed at the time of initial installation.

Check with your local building code agency before you begin installation to ensure compliance with local codes, including the need for "permits" and follow-up inspections. If any problems are encountered regarding code approvals, or if you wish clarification of any of the instructions contained here, contact: Technical Services, Heatilator Inc., 1915 W. Saunders Street, Mt. Pleasant, Iowa 52641. HEATILATOR® is a registered trademark of Heatilator Inc., Division, HON INDUSTRIES.

WARNING

THIS HEATILATOR FIREPLACE AND ITS COMPONENTS ARE DESIGNED TO BE INSTALLED AND OPERATED AS A SYSTEM. ANY ALTERATION TO OR SUBSTITUTION FOR ITEMS IN THIS SYSTEM UNLESS ALLOWED BY THESE INSTALLATION INSTRUCTIONS WILL VOID THE UNDERWRITERS LABORATORIES LISTING AND MAY VOID THE PRODUCT WARRANTY. IT MAY ALSO CREATE A HAZARDOUS INSTALLATION. READ THROUGH THESE INSTRUCTIONS THOROUGHLY PRIOR TO STARTING YOUR INSTALLATION AND FOLLOW THEM CAREFULLY THROUGHOUT YOUR PROJECT.

II. DESCRIPTION OF THE FIREPLACE SYSTEM

The HEATILATOR® fireplace system consists of the following:

1. Fireplace
2. Hearth Extension
3. Chimney System
4. Roof Termination
5. Integral Grate

Optional components include:

1. Glass Doors
2. Outside Combustion Air System

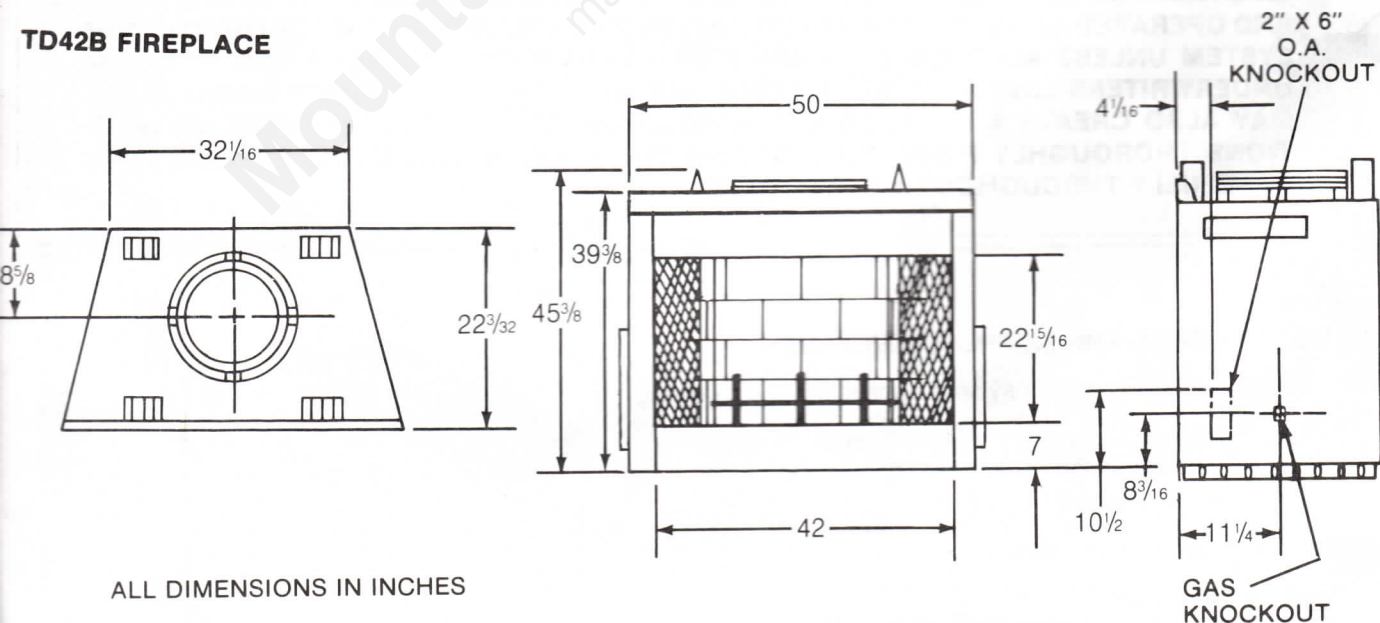
THE FIREPLACE SYSTEM COMPONENTS

The table below, together with the following pictures, show only those components which may be safely used with this fireplace.

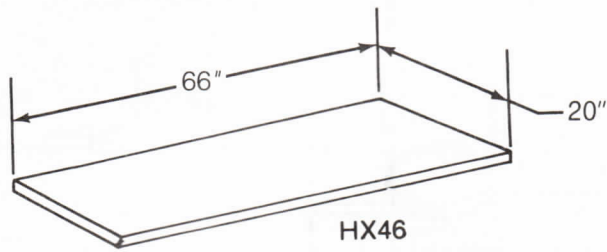
Catalog Number	Description
TD42B	Fireplace
HX46	Hearth Extension
GT42A	Glass Doors - Clear-View, Antique Solid Brass
GT42B	Glass Doors - Clear-View, Bright Solid Brass
GR15	Integral Grate (included with Fireplace)
AK13	Air Kit - Outside Air
ID4	Insulated Duct/Outside Air
UD4	Uninsulated Duct/Outside Air
SL406	Chimney Section - 6 inch long
SL412	Chimney Section - 12 inch long
SL418	Chimney Section - 18 inch long
SL436	Chimney Section - 36 inch long
SL448	Chimney Section - 48 inch long
SL4	Chimney Stabilizer
SL430	Chimney Offset/Return - 30° (See NOTE)
FS538	Firestop - Straight
FS540	Firestop - 30°
JB577	Chimney Joint Band
CB576	Chimney Bracket
RF570	Roof Flashing - Flat to 6/12 Pitch
RF571	Roof Flashing - 6/12 to 12/12 Pitch
RT492	Telescoping Chimney Terminal Cap - Round
RT494	Chimney Terminal Cap - Round
ST475	Chimney Terminal Cap - Square
CT56	Chase Top

NOTE: When offsetting, the first Chimney Section above the firebox must be an SL412, or a Chimney Section of greater length. The Offset/Return cannot be placed directly on top of the TD42B Fireplace.

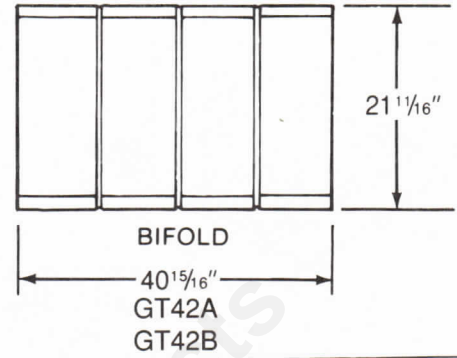
TD42B FIREPLACE



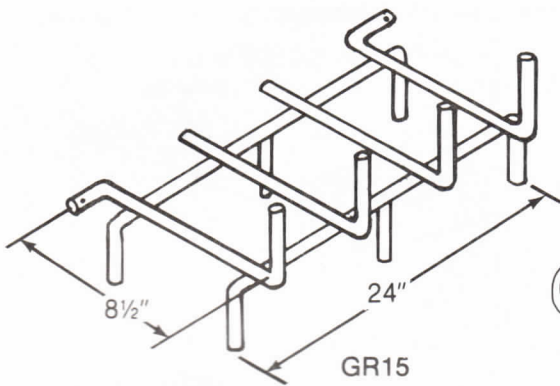
HEARTH EXTENSION



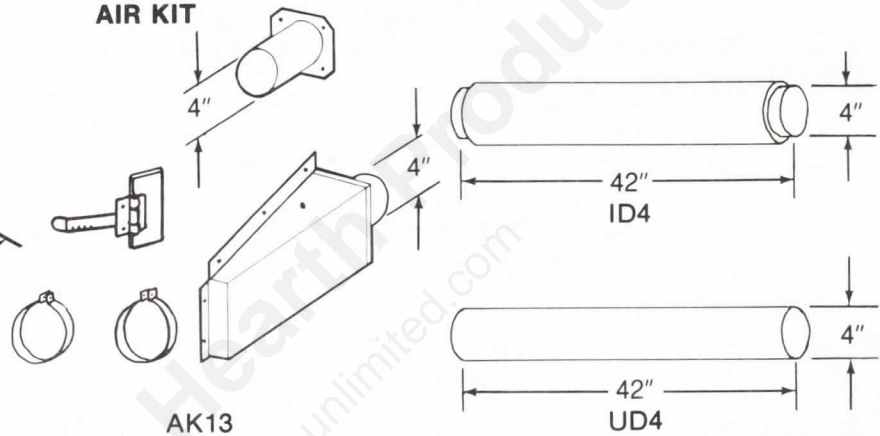
GLASS DOORS



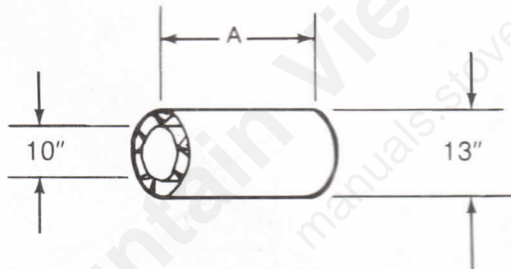
INTEGRAL GRATE



AIR KIT

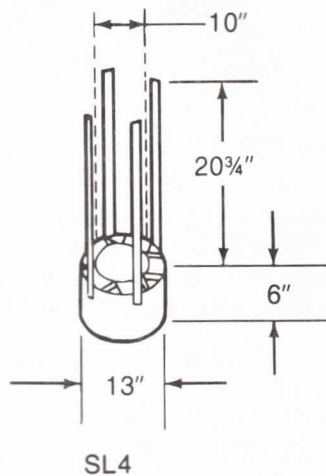


CHIMNEY SECTIONS

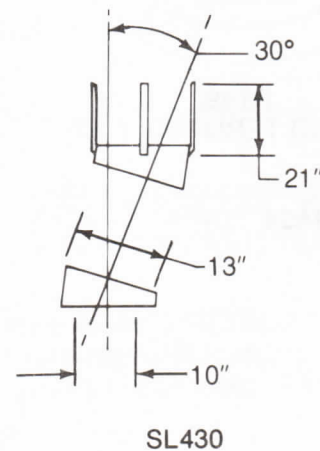


CAT. NO.	A
SL406	6"
SL412	12"
SL418	18"
SL436	36"
SL448	48"

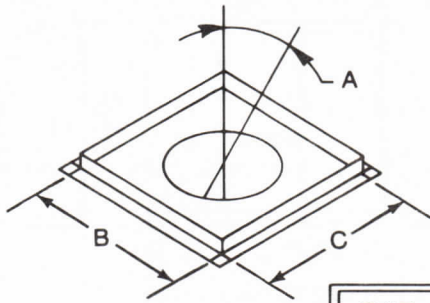
CHIMNEY STABILIZER



OFFSET/RETURN

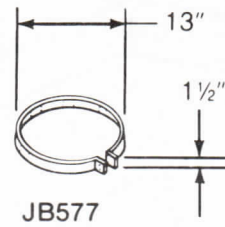


FIRESTOP SPACERS

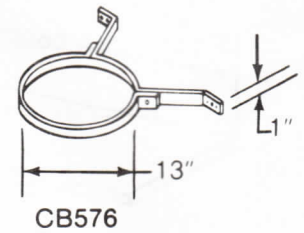


CAT. NO.	A	B	C
FS538	0°	17"	17"
FS540	30°	26"	17"

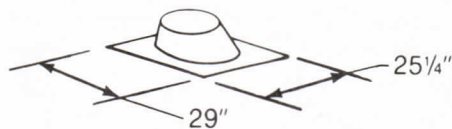
JOINT BAND



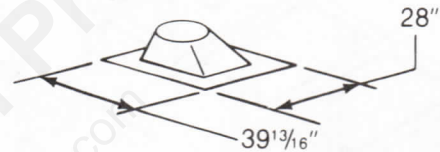
CHIMNEY BRACKET



ROOF FLASHINGS

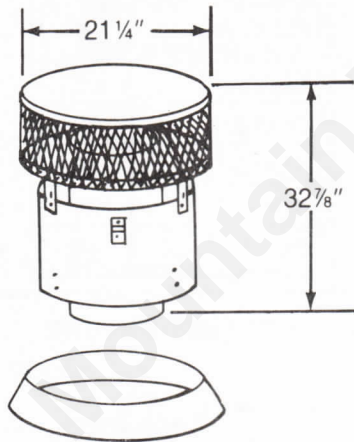


Flat to 6/12 Pitch
RF570

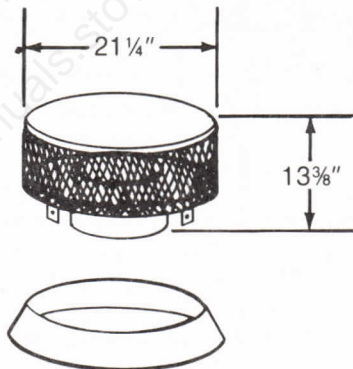


6/12 to 12/12 Pitch
RF571

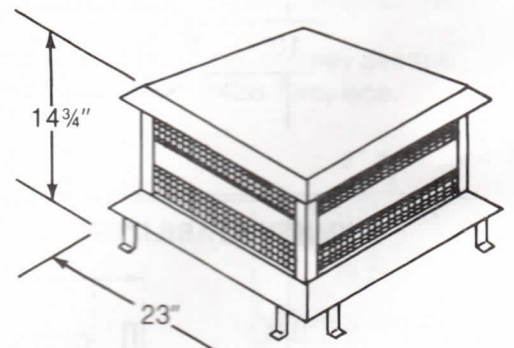
CHIMNEY TERMINAL CAPS



RT492
ROUND TERMINAL CAP

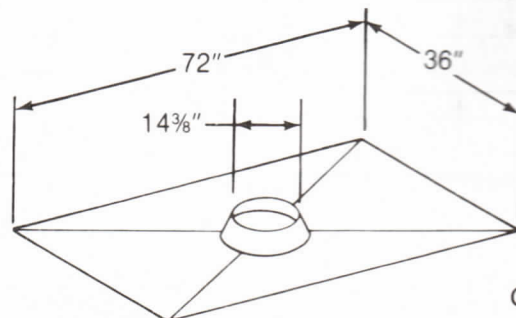


RT494
ROUND TERMINAL CAP



ST475
SQUARE TERMINAL CAP

CHASE TOP



CT56

III. FIREPLACE LOCATIONS, SPACE AND CONSTRUCTION REQUIREMENTS

The fireplace may be located as shown in Figure 1.

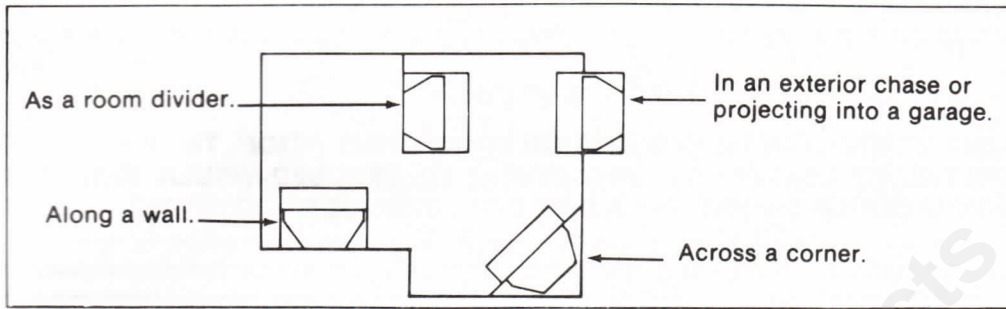


Figure 1
Fireplace Locations

Figures 2 and 3 show installations assuming outside air ducts with allowance for making 90° bends. Less space is required when ducting goes directly outside without forming elbows.

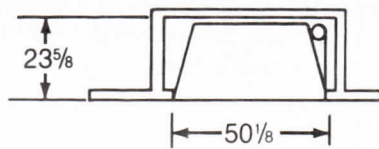


Figure 2
Installation along a wall or an exterior chase.

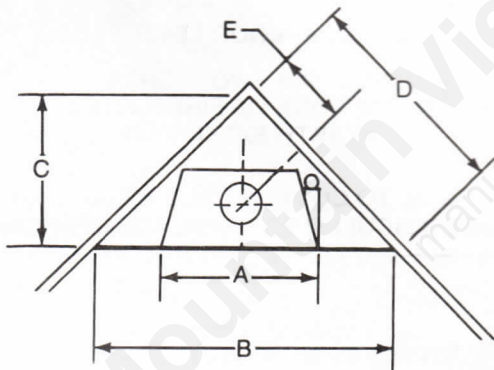


Figure 3
Corner Installation

WITHOUT OUTSIDE AIR

CAT. NO.	A	B	C	D	E
TD42B	50	81 ⁵ / ₁₆	40 ⁵ / ₈	57 ⁷ / ₁₆	19 ³ / ₁₆

WITH OUTSIDE AIR

CAT. NO.	A	B	C	D	E
TD42B	50	83 ¹ / ₂	41 ³ / ₄	59 ¹ / ₁₆	20

ALL DIMENSIONS IN INCHES

WARNING

WHEN LOCATING THE FIREPLACE IN A SPACE PROJECTING INTO A GARAGE, THE OUTSIDE AIR MUST NOT BE TAKEN FROM THE GARAGE SPACE. EXHAUST PRODUCTS OF GASOLINE ENGINES ARE HAZARDOUS.

DO NOT INSTALL OUTSIDE AIR DUCTS SUCH THAT THE AIR MAY BE DRAWN FROM ATTIC SPACES, BASEMENTS, OR ABOVE THE ROOFING WHERE OTHER HEATING APPLIANCES OR FANS AND CHIMNEYS EXHAUST OR UTILIZE AIR. THESE PRECAUTIONS WILL REDUCE THE POSSIBILITY FOR SMOKING OR FLOW REVERSAL.

Figure 4 shows a typical framing of the fireplace, assuming combustible materials are used. All required clearances to combustibles around the fireplace must be adhered to. Any enclosure on top of the fireplace must be above the top standoffs. Chimney Sections at any level require a minimum air space of two inches to the enclosure, including any framing, for the total chimney height.

WARNING

TO PREVENT CONTACT WITH SAGGING OR LOOSE INSULATION, THE FIREPLACE MUST NOT BE INSTALLED AGAINST VAPOR BARRIERS OR EXPOSED INSULATION. LOCALIZED OVERHEATING COULD OCCUR AND A FIRE COULD RESULT.

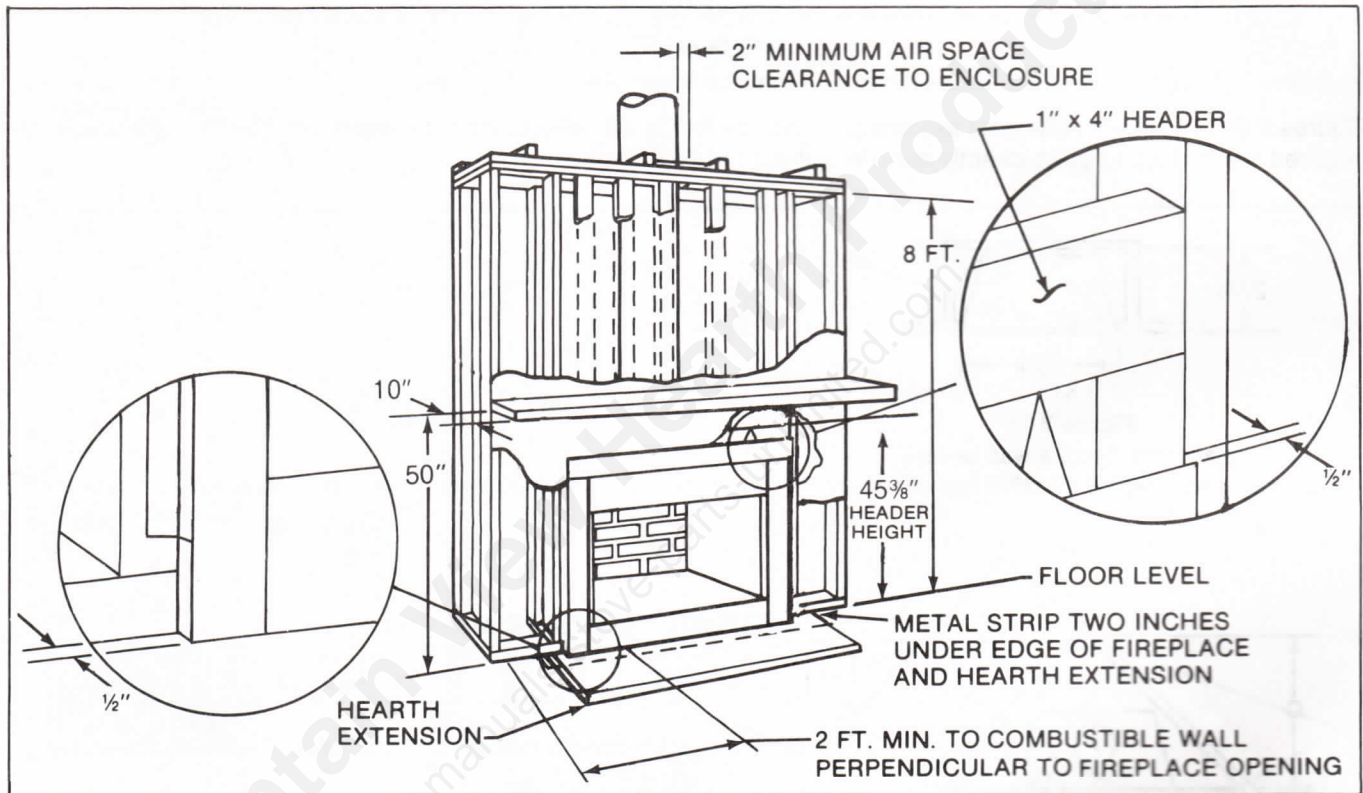


Figure 4
Framing the Fireplace

After completing the framing and after applying the facing material over the framing, a non-combustible sealant, one-half inch wide maximum, must be used to close off any gaps at the top and sides between the fireplace and facing, to prevent cold air leaks.

Combustible materials cannot be used to cover the black fireplace front. Non-combustible materials may be used to cover these areas, but must not restrict the air flow to or from the front of the unit in any manner. The following is a description of materials specified in these Instructions:

Combustible Material. Material made of or surfaced with wood, compressed paper, plant fibers, plastics, or other material that will ignite and burn, whether flameproofed or not, or whether plastered or unplastered.

Non-combustible Material. Material which will not ignite and burn, such materials consisting entirely of steel, iron, brick, tile, concrete, slate, asbestos, glass or plasters, or combination thereof.

Non-combustible Sealant Material. General Electric RTV103 (Black), or equivalent. Rutland, Inc. Fireplace Mortar #63, or equivalent.

HEARTH EXTENSIONS

The use of a factory-built Hearth Extension is shown in Figure 5. These may be covered with a non-combustible decorative material with a maximum thickness of 3½ inches. Seal gaps with non-combustible (sand-cement) grout or sealant.

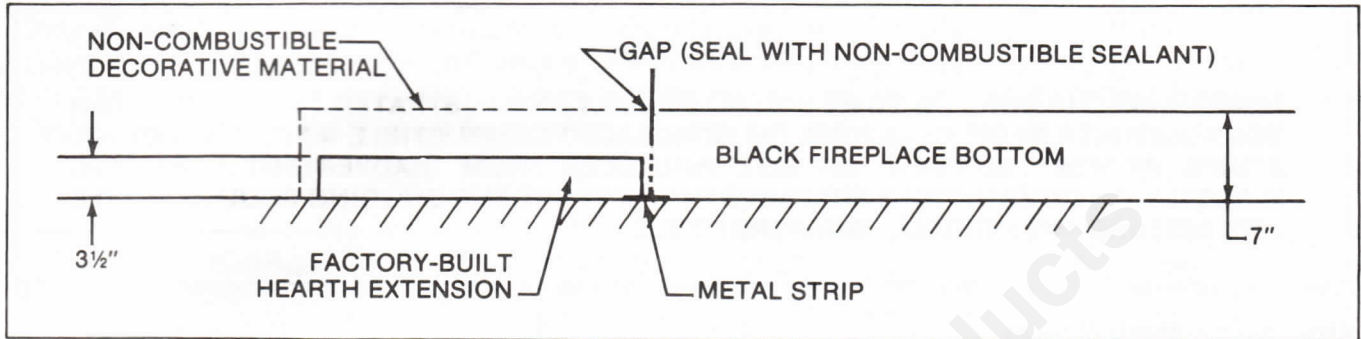


Figure 5
Factory-Built Hearth Extension

Field constructed Hearth Extensions also may be used, but must be constructed in accordance with the following instructions. A typical construction is shown in Figures 6 and 7. In all cases of field construction, a minimum dimension of 20" to the front and extending 12" on either side of the fireplace opening must be used, and gaps must be sealed with non-combustible (sand-cement) grout or sealant.

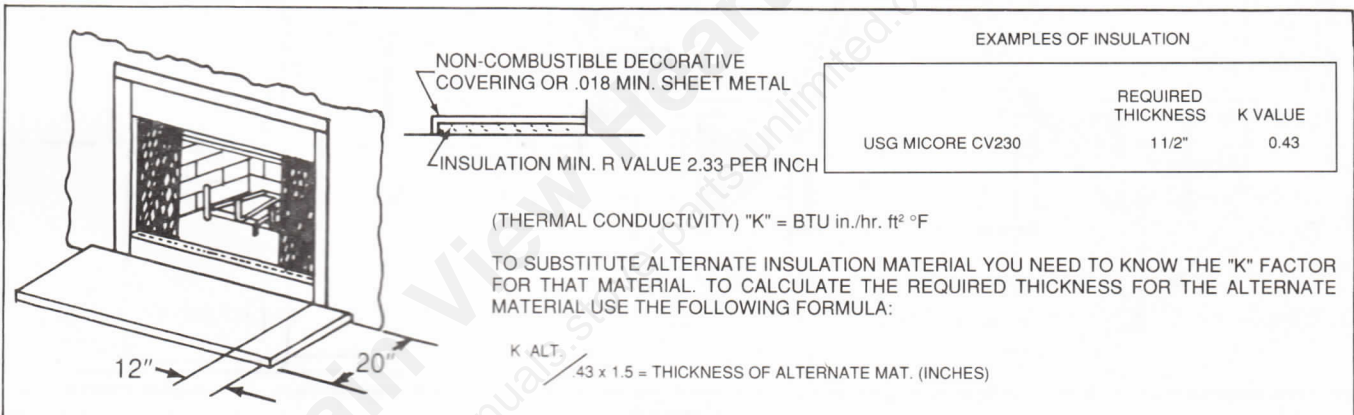


Figure 6

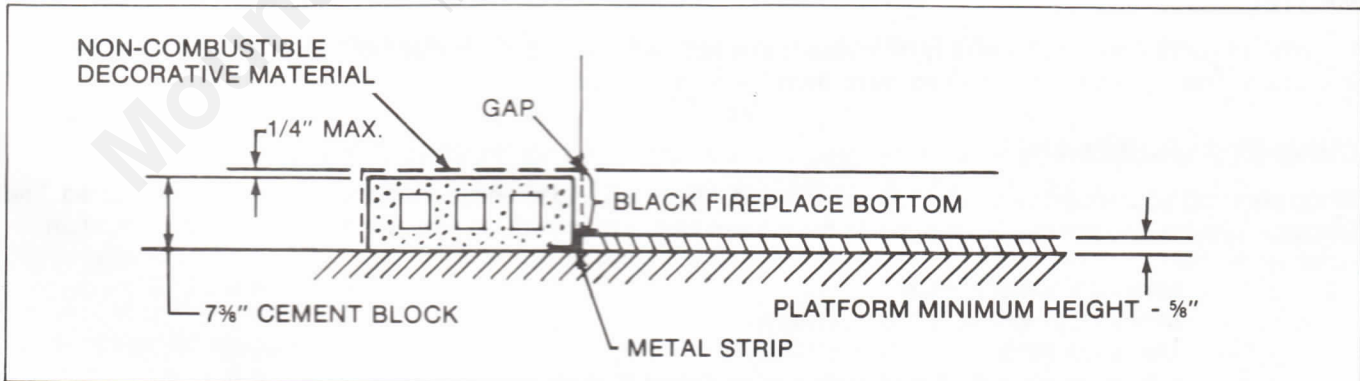



Figure 7
Field Constructed Hearth Extension

A second alternative to the cement block construction shown in Figure 7 is as follows:

1. One course common brick on edge - top layer.
2. 3/8" minimum millboard - middle.
3. Standard combustible construction - base.

Both Figure 7, and the above construction, require that the fireplace be raised on a platform. A metal strip must be used between the fireplace and the field constructed Hearth Extension. Depending on the construction, a special () shape may be needed. Each horizontal leg must be 2" wide and the length must be at least equal to the length of the Metal Strip provided with each fireplace. The fireplace must rest on a continuous, level surface.

WARNING

HEARTH EXTENSIONS ARE TO BE INSTALLED ONLY AS ILLUSTRATED TO PREVENT HIGH TEMPERATURES FROM OCCURRING ON CONCEALED COMBUSTIBLE MATERIALS. METAL STRIPS PREVENT BURNING OR HOT PARTICLES FROM INADVERTENTLY FALLING DIRECTLY ON COMBUSTIBLE SURFACES IN THE EVENT THE BUILDING SHOULD SETTLE AND DISTURB THE ORIGINAL CONSTRUCTION.

SIDEWALLS/SURROUNDS

Adjacent combustible side walls must be located a minimum of 24" from the fireplace opening. See Figure 8. If using a decorative surround of combustible material, it must be located within the shaded angle area defined in Figure 8. Short stub walls are also acceptable if they are contained in the shaded area.

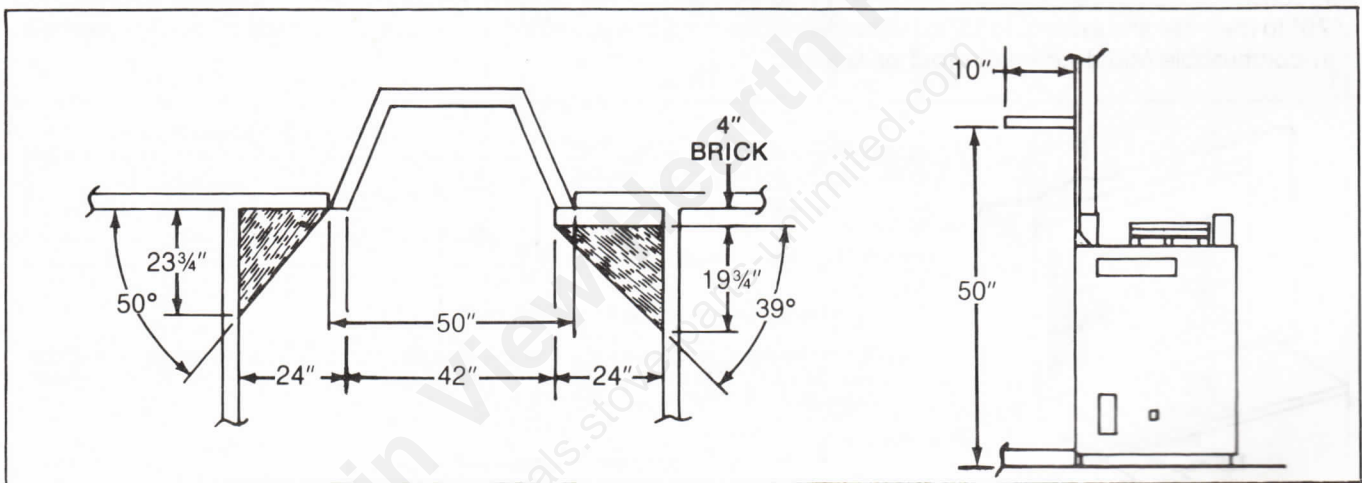


Figure 8

MANTEL

A mantel of combustible material may be installed no less than 50" above the platform or floor upon which the fireplace is located. The mantel may extend no more than 10" from the wall.

IV. CHIMNEY REQUIREMENTS

When planning your fireplace location, the chimney construction and necessary clearance must be considered. The fireplace system and chimney components have been tested to provide the following flexibility in construction.

Minimum straight height	14 ft.
Minimum height with Offset/Return	18½ ft.
Maximum height	90 ft.
Maximum chimney length between an Offset/Return	8 ft.
Maximum distance between Chimney Stabilizers	35 ft.
Double Offset/Return minimum height	24 ft.
Maximum unsupported chimney length between Offset/Return	6 ft.
Maximum straight unsupported chimney height above firebox	25 ft.

OFFSET INSTALLATIONS

Figure 9A illustrates the height from the bottom of the fireplace to the top of the chimney adapter. Proper assembly of Air Cooled Chimney Sections results in an overlap at chimney joints of $1\frac{1}{4}$ ".

To clear any overhead obstructions, the chimney may be offset using a 30° Offset/Return, Catalog Number SL330. Figure 10 and Table 1 enable selection of the appropriate chimney components when using Offsets and Returns. For Offset/Return installations, Figure 9B illustrates the minimum height from the bottom of the fireplace to the top of the first Chimney Section, SL412. An arrangement, using either an SL412, SL418, SL436 or SL448 as the first Chimney Section, is required when Offsets/Returns are used anywhere in the system.

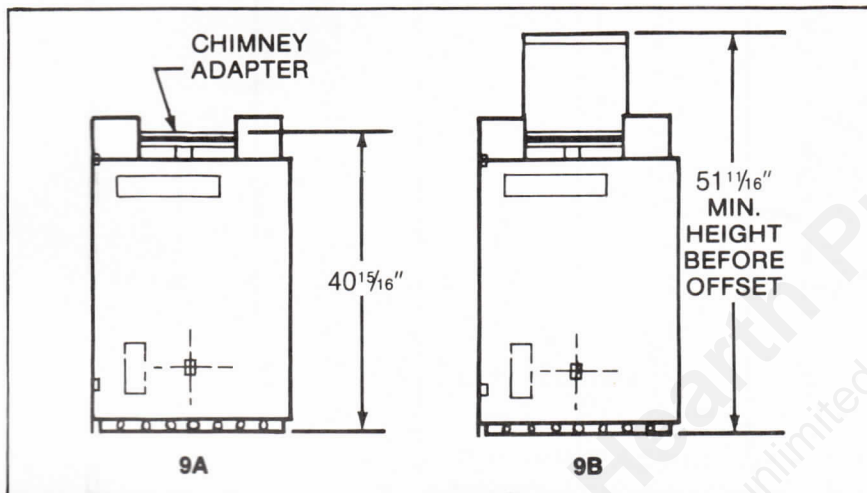


Figure 9
Fireplace (Side View)

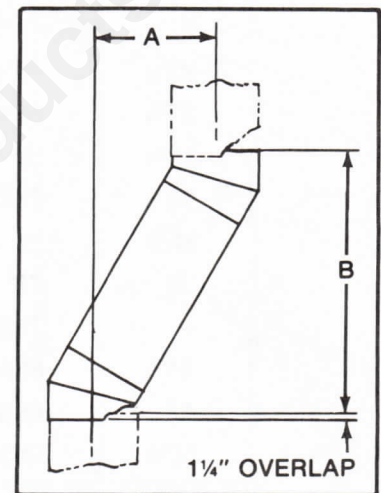


Figure 10
Chimney Offset/Return

1. Determine amount of offset required to extend the chimney through a wall or around an obstacle. See Figure 10, dimension "A".
2. Refer to Table 1 and find the "A" dimension closest to but not less than the amount of offset required in your installation.

WARNING

DO NOT COMBINE OFFSETS TO CREATE AN OFFSET GREATER THAN 30° FROM VERTICAL. THIS MAY CREATE A FIRE HAZARD SINCE THE NATURAL DRAFT MAY BE RESTRICTED.

3. Find the "B" dimension in Table 1 and determine if it is compatible with your installation.
4. Read across the chart and find the Catalog Number and number of Chimney Sections required.
5. Refer to Section V, Step-By-Step Installation of the Fireplace System.
6. All joist areas must be Firestopped.

TABLE 1

30° Offset Chart

(Dimensions in Inches)

A	B	SL406	SL412	SL418	SL436	SL448
3 ⁷ / ₈	14 ⁷ / ₁₆	—	—	—	—	—
6 ¹ / ₄	18 ⁹ / ₁₆	1	—	—	—	—
9 ¹ / ₄	23 ³ / ₄	—	1	—	—	—
12 ¹ / ₄	28 ¹⁵ / ₁₆	—	—	1	—	—
14 ⁵ / ₈	33 ¹ / ₁₆	—	2	—	—	—
17 ⁵ / ₈	38 ¹ / ₄	—	1	1	—	—
21 ¹ / ₄	44 ⁹ / ₁₆	—	—	—	1	—
23 ⁵ / ₈	48 ¹ / ₁₆	1	—	—	1	—
27 ¹ / ₄	55 ³ / ₄	—	—	—	—	1
29 ⁵ / ₈	59 ¹ / ₁₆	1	—	—	—	1
32 ⁵ / ₈	64 ¹ / ₄	—	1	—	—	1
35 ⁵ / ₈	69 ⁷ / ₁₆	—	—	1	—	1
38	73 ⁹ / ₁₆	—	2	—	—	1
41	78 ³ / ₄	—	1	1	—	1
44 ⁵ / ₈	85 ¹ / ₁₆	—	—	—	1	1
47	89 ¹ / ₈	1	—	—	1	1
50 ⁵ / ₈	95 ⁷ / ₁₆	—	—	—	—	2

Major building codes specify a minimum chimney height above the roof top. These specifications are summarized in what is known as the "Ten Foot Rule". This rule states:

1. If the horizontal distance from the side of the chimney to the peak of the roof is 10 feet or less, the top of the chimney must be at least 2 feet above the peak of the roof, but never less than 3 feet in height above the highest point where it passes through the roof. See Figure 11.
2. If the horizontal distance from the side of the chimney to the peak of the roof is more than 10 feet, a chimney height reference point is established on the surface of the roof a distance of 10 feet from the side of the chimney in a horizontal plane. The top of the chimney must be at least 2 feet above this reference point, but never less than 3 feet in height above the highest point where it passes through the roof. See Figure 12.

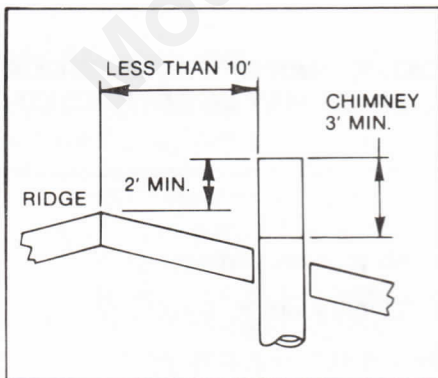


Figure 11
Chimney Height

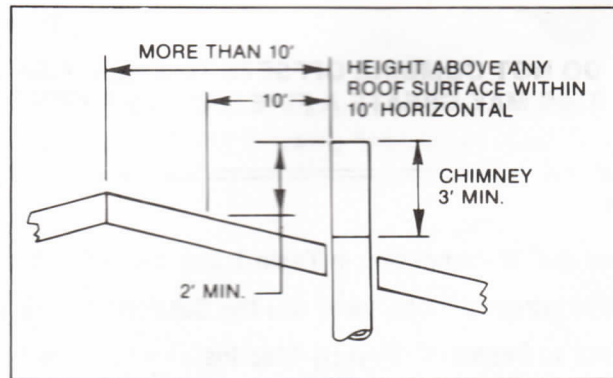


Figure 12
Chimney Height

These chimney heights are necessary in the interest of safety and do not assure smoke-free operation. Trees, buildings, adjoining roof lines, adverse wind conditions, etc., may require a taller chimney should smoking occur.

If Outside Combustion Air is used, Figure 13 illustrates only two of many possible locations - a basement fireplace with a vertical outside air arrangement; and a horizontal, direct exit from the fireplace side.

NOTE: A 6' minimum height difference must be maintained from the top of the uppermost Chimney Section to the Outside Combustion Air inlet.

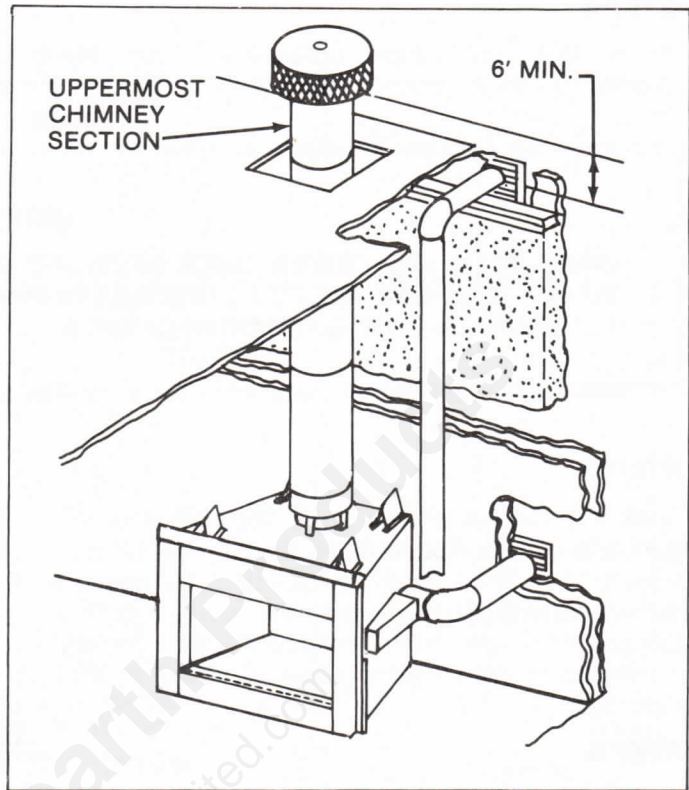


Figure 13
Outside Air Locations

V. STEP-BY-STEP INSTALLATION OF THE FIREPLACE SYSTEM

WARNING

BEFORE STARTING, DO THE FOLLOWING:

1. WEAR GLOVES AND SAFETY GLASSES FOR PROTECTION.
2. KEEP HAND TOOLS IN GOOD CONDITION. SHARPEN CUTTING EDGES AND MAKE SURE TOOL HANDLES ARE SECURE.
3. ALWAYS MAINTAIN THE MINIMUM AIR SPACE REQUIRED TO THE ENCLOSURE TO PREVENT FIRE.

STEP 1

Position the fireplace in the desired location and frame.

STEP 2

Slide the metal strip two inches under the front edge of the fireplace. See Figure 4. When the metal strip is not provided as a single piece, then the individual pieces must overlap each other by one inch.

STEP 3

Level the fireplace side-to-side and front-to-back. Shim with non-combustible material as necessary. Secure the fireplace by utilizing the nailing flanges located on either side of the fireplace.

WARNING

CAREFULLY FOLLOW THE INSTRUCTIONS FOR ASSEMBLY OF THE PIPE AND OTHER PARTS, NEEDED TO INSTALL THIS FIREPLACE SYSTEM. FAILURE TO DO SO MAY RESULT IN A FIRE, ESPECIALLY IF COMBUSTIBLES ARE TOO CLOSE TO THE FIREPLACE OR CHIMNEY AND AIR SPACES ARE BLOCKED PREVENTING THE FREE MOVEMENT OF COOLING AIR.

STEP 4

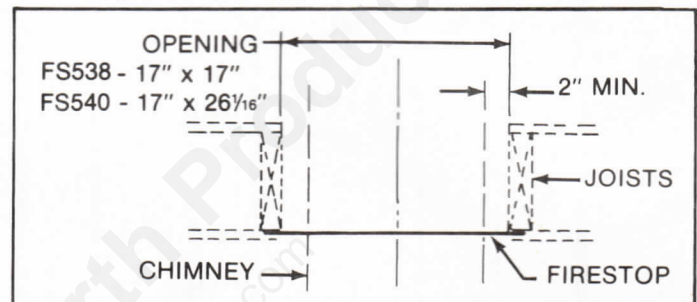
Assemble a straight Pipe Section to the top of the fireplace. Chimney Sections are locked together by pushing downward until the section meets the stop bead on the section below.

CAUTION

INNER FLUE AND OUTER LINER SECTIONS CANNOT BE DISASSEMBLED ONCE LOCKED TOGETHER. PLAN AHEAD TO INSURE PROPER INSTALLATION HEIGHT IS ACHIEVED WITH THE SELECTED CHIMNEY COMPONENTS.

STEP 5

Mark and cut out an opening in the ceiling for the particular Firestop Spacer being utilized (17" x 17" for a FS538; 17" x 26¹/₁₆" for a FS540). Frame the opening with the same size lumber used in the ceiling joists. See Chapter 25 of the Uniform Building Code for general construction requirements when "Framing Around Openings".



STEP 6

Install the Firestop Spacer FS538 (Straight), or FS540 (30° Offset, if Offset is located in the ceiling joist area). Nail the four sides of the Firestop to the joists using a minimum of (3) nails per side. These Firestop Spacers are designed to provide the minimum two inch air space around the chimney. In all situations, the Firestops are to be nailed to the ceiling joists from the bottom or fireplace side, EXCEPT, when the space above the ceiling is an attic space. In this situation, the Firestop must be nailed from the attic side to ensure against loose or later blow-in-type insulation from falling into the required two inch air space around the chimney. Firestop Spacers must be used at all ceiling levels where the chimney penetrates a living space.

NOTE: Nails must always be driven so the nail head is in shear (shank is perpendicular to the chimney load). This will prevent the nail from pulling loose.

STEP 7

Continue assembling Chimney Sections up through the Firestop Spacers as needed. Check height and unsupported chimney length limitations described earlier.

The maximum straight unsupported height is 25 feet above the firebox and 35 feet between Chimney Stabilizers (SL5).

STEP 8

When Offsets/Returns are joined to straight Pipe Sections, they must be locked in position with the size 10 sheet metal screws provided, using the pre-drilled holes. This insures proper orientation is maintained. See Figure 14. Offsets/Returns and Chimney Stabilizers have straps for securing these parts to joists or rafters. Plumbers tape may be purchased locally and used in conjunction with Joint Bands to secure the chimney as an alternate method. Chimney Brackets may be used to stabilize the chimney. See Figures 15 and 16.

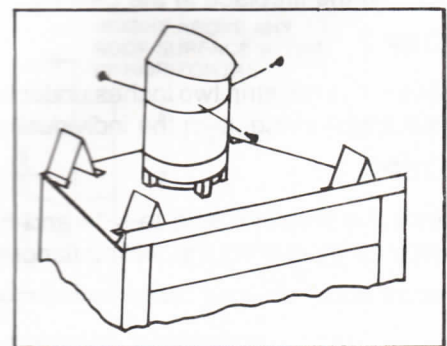


Figure 14

Offset Secured to Fireplace

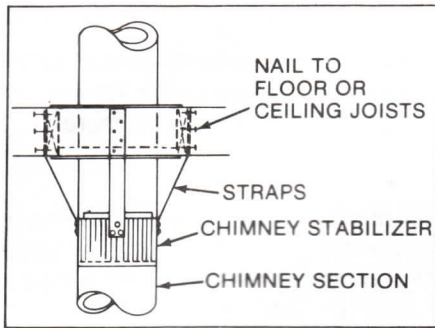


Figure 15
Chimney with Stabilizer

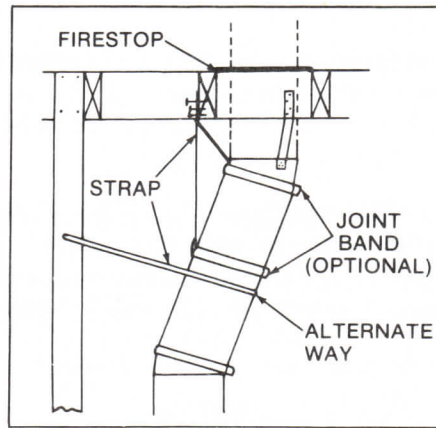


Figure 16
Offset/Return Installation

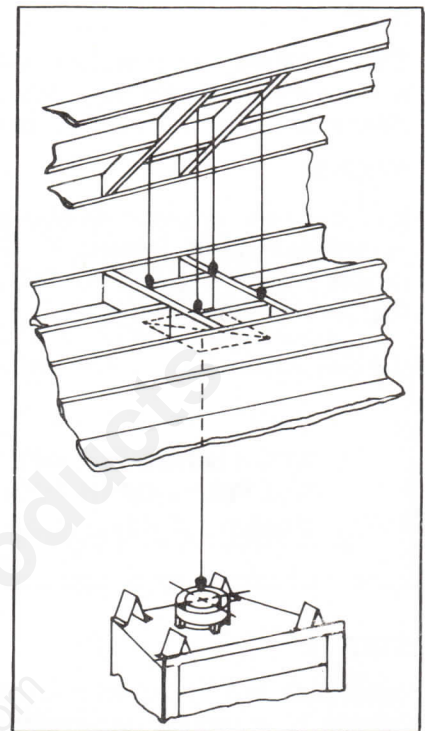


Figure 17
Ceiling and Attic Construction

WARNING

WHEN CHIMNEY SECTIONS EXCEEDING 6 FEET IN LENGTH ARE INSTALLED BETWEEN AN OFFSET/RETURN, STRUCTURAL SUPPORT MUST BE PROVIDED TO REDUCE OFF-CENTER LOADING AND PREVENT CHIMNEY SECTIONS FROM SEPARATING AT THE CHIMNEY JOINTS.

STEP 9

Locate the point where the chimney will exit the roof by plumbing down to the center of the chimney. Drive a nail through the roof to mark the center. See Figure 17.

STEP 10

Measure to either side of the nail and mark the 17" x 17" opening required. This 17" x 17" is measured on the horizontal; actual length may be larger depending on the pitch of the roof. Cut out and frame the opening. See Chapter 25 of the Uniform Building Code for Roof Framing details.

STEP 11

Continue to add Chimney Sections through the roof opening, maintaining at least a 2" air space.

STEP 12

A Roof Flashing may be used with a TD42B fireplace (or a Chase Construction from Section VI may also be used). Install the Roof Flashing appropriate to the roof pitch. Assemble the Storm Collar to protect against rain entering around the outside of the chimney, and add the Chimney Terminal Cap. The Terminal Cap must be one of the following: RT492 (Telescoping-Round), RT494 (Round) or ST475 (Square).

WARNING

DETAIL INSTRUCTIONS FOR INSTALLATION OF THE ROOF FLASHING, STORM COLLAR AND TERMINAL CAP ARE FOUND PACKAGED WITH THESE PARTS. TO AVOID DANGER OF FIRE, ALL INSTRUCTIONS MUST BE STRICTLY FOLLOWED, INCLUDING THE PROVISION OF AIR SPACE CLEARANCE BETWEEN CHIMNEY SYSTEM AND COMBUSTIBLE ENCLOSURE. TO PROTECT AGAINST EFFECTS OF METAL CORROSION OF THE ABOVE PARTS, FIRST WASH THEM WITH A SOLVENT OR VINEGAR, RINSE WITH WATER, AND THEN PAINT WITH A RUST RESISTANT PAINT.

STEP 13

Complete the fireplace enclosure, allowing space for outside air ducts and gas piping if desired. Care must be taken with any electrical wiring to avoid exposure to high temperatures or mechanical damage to wire insulation. A minimum clearance of 1½" must be maintained between the fireplace sides and back and the combustible enclosure.

STEP 14

Knockouts are provided on both sides of the fireplace to allow for connection of a decorative gas appliance, in accordance with the National Fuel Code, ANSI Z223.1-1980. The side refractories are designed to allow 1/2" iron pipe to pass through. Use a non-combustible sealant to seal any opening between the gas pipe and refractory on the inside. Repack the insulation removed, to seal around the gas pipe where it exits the side of the fireplace.

CAUTION

- 1. WHEN USING THE DECORATIVE APPLIANCE, THE FIREPLACE DAMPER MUST BE SET IN THE FULLY OPEN POSITION.**
- 2. A FULLY OPEN DAMPER ENSURES PROPER VENTING OF COMBUSTION PRODUCTS.**

STEP 15

Install Outside Air if desired or required by local code, using the Instructions supplied with the AK13 Air Kit. The use of Outside Air is strongly recommended.

CAUTION

SIGNIFICANT COLD AIR MAY INFILTRATE THROUGH THE DUCT OR OTHER PARTS OF THIS SYSTEM. TO GUARD AGAINST THIS, CHECK FOR LIGHT LEAKS WITH A FLASHLIGHT AND SEAL THESE WITH DUCT TAPE AND/OR INSULATION.

STEP 16

Attach the firescreen to the fireplace side, utilizing the (2) hairpin clips from the enclosed fastener package. Use pliers to insert the clip through the last strand of screen wire and into the hole at midpoint of the fireplace side.

STEP 17

Install Glass Doors if desired, using the Instructions supplied with these optional accessories. Protect Glass Doors from breakage by temporarily removing them until all construction is complete.

STEP 18

Position the Hearth Extension over the metal protective strip which should project two inches in front of the fireplace bottom front. See Figure 4. Seal the crack between the Hearth Extension and fireplace with a non-combustible (sand-cement) grout or sealant.

STEP 19

Apply the finish materials of your choice. Do not install combustible materials over the black face of the fireplace or air inlet slots in the fireplace opening. You may use non-combustible material over the black face of the fireplace. Refer to Figure 8 for combustible surround information.

STEP 20

This fireplace is equipped with a factory installed Integral Grate. In the event it becomes necessary to replace it, remove the pins from both ends of the back horizontal bar, using a vise grip to pull them free. Slide the Grate to one side so the opposite end clears the hub. Your new Grate will be supplied with new pins. Remove these pins and slide the Grate into the hubs located in each side refractory (one side at a time), and replace the pins on both ends of the Grate bar. Use only Catalog Number GR15 Integral Grate for replacement.

□ STEP 21

Prior to building your first fire in your fireplace, please read the "Operating Instructions" section that follows.

WARNING

DO NOT PACK REQUIRED AIR SPACES WITH INSULATION OR OTHER MATERIALS. THIS PREVENTS THE NATURAL CONVECTION COOLING WHICH MUST TAKE PLACE. THE REQUIRED CLEARANCES ARE TO THE ENCLOSURE AND SHOULD NOT BE REDUCED BY THE ADDITION OF OTHER MATERIALS WHETHER OF NON-COMBUSTIBLE OR COMBUSTIBLE MATERIAL. COMBUSTIBLE MATERIALS AS WELL AS THE NON-COMBUSTIBLE MATERIALS USED IN THE FIREPLACE MAY HAVE THEIR USEFUL LIFE REDUCED.

VI. CONSTRUCTING A CHASE

The chase may be constructed for the fireplace and chimney or for the chimney only. A chase is an enclosure built around the system. It is most commonly constructed on an outside wall as shown below.

Three examples of chase applications are shown in Figure 18.

1. Fireplace and chimney enclosed in chase - exterior.
2. Chimney offset through exterior wall and enclosed in chase.
3. Chase constructed on roof.

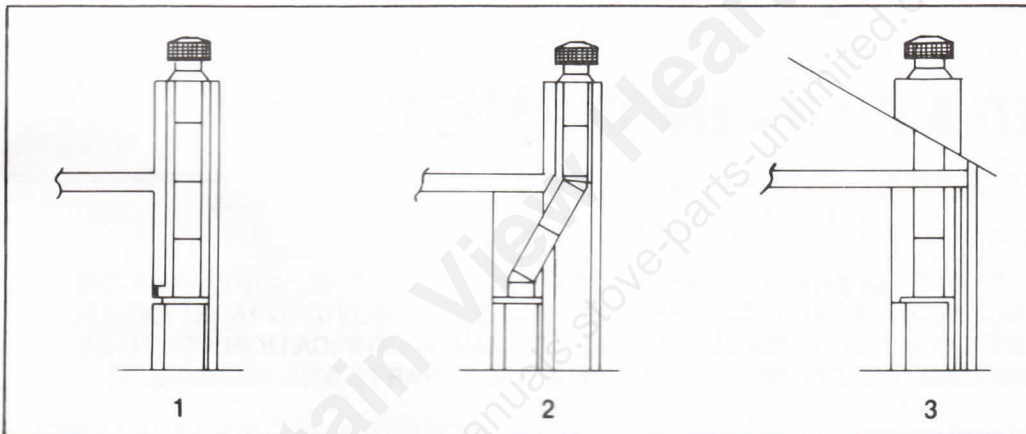


Figure 18
Chase Constructions

MATERIALS FOR CHASE

The chase is constructed much the same as the walls in your home. A variety of materials may be used including brick, stone, veneer brick, or standard siding materials.

In constructing the chase, several factors must be considered.

1. Maintain a 2" air space clearance around the chimney.
2. The Chase Top must be constructed of a non-combustible material.
3. The walls of the chase must be insulated to prevent heat leaking from the home around and through the fireplace.

TO INSTALL TERMINAL CAP ON CHASE - ENCLOSED CHIMNEY

1. Construct chase of desired materials maintaining a minimum 2" air space around the chimney.

WARNING

NEVER INSTALL A SINGLE WALL SLIP SECTION OR SMOKE-PIPE IN A CHASE STRUCTURE. THE HIGHER TEMPERATURE OF THIS SINGLE WALL PIPE MAY RADIATE SUFFICIENT HEAT TO COMBUSTIBLE CHASE CONSTRUCTION MATERIALS TO CAUSE A FIRE.

2. Install the Chimney Sections up through the chase. When using a Round Terminal Cap (RT494), the last section of Pipe must extend above the Chase Top to allow installation of the Storm Collar and Terminal Cap. For installations utilizing a Telescoping Round Terminal Cap (RT492), the last Chimney Section must not be more than 15" below or 3" above the Chase Top. If a Square Terminal Cap (ST475) is utilized, see separate Installation Instructions.

WARNING

DETAIL INSTRUCTIONS FOR INSTALLATION OF THE CHASE TOP, STORM COLLAR AND TERMINAL CAP ARE FOUND PACKAGED WITH THESE PARTS. TO AVOID DANGER OF FIRE, ALL INSTRUCTIONS MUST BE STRICTLY FOLLOWED, INCLUDING THE PROVISION OF AIR SPACE CLEARANCE BETWEEN CHIMNEY SYSTEM AND COMBUSTIBLE ENCLOSURE AND BETWEEN CHASE AND CHASE TOP. TO PROTECT AGAINST EFFECTS OF METAL CORROSION OF PARTS SUCH AS CHASE TOP AND THOSE ABOVE CHASE TOP, FIRST WASH THEM WITH A SOLVENT OR VINEGAR, RINSE WITH WATER, AND THEN PAINT WITH A RUST RESISTANT PAINT.

3. Attach the Chase Top (CT56) to the top of the chase.
4. Loosen the bolt on the Storm Collar and slide it down over the Pipe to the Chase Top. Tighten the bolt and seal around the Collar.
5. Attach and secure either a Round or Square Terminal Cap.

OPERATING INSTRUCTIONS

NOTICE

SAVE AND PASS THESE OPERATING INSTRUCTIONS AND THE INSTALLATION INSTRUCTIONS TO SUBSEQUENT OWNERS. THE INFORMATION PROVIDED IS INTENDED TO NOTIFY AND WARN THEM ABOUT MAKING UNSAFE FUTURE MODIFICATIONS SUCH AS THE ADDITION OF SHELVES OR THE USE OF UNAUTHORIZED PARTS AND REPAIRS.

CAUTION

EDGES ARE SHARP. HAND PROTECTION IS RECOMMENDED.

Before starting a fire in your new or existing fireplace, use the following check list:

- A. **FLUE DAMPER.** When the damper handle is raised out of the closed position, the handle should move toward the full open position. Verify by looking up from the inside of the firebox. Always operate this fireplace with the damper fully open. Please note, downdrafts, obstructions, damage or poor (wet) fuels can cause smoke spillage.

WARNING

DO NOT MODIFY THE DAMPER CONTROL BY PROVIDING INTERMEDIATE NOTCHES NOT SUPPLIED BY THE FACTORY. THIS CAN RESULT IN SEVERE OVERTEMPERATURES AND POSSIBLE FIRE. THE FIREPLACE MUST BE OPERATED WITH THE DAMPER IN THE FULL OPEN POSITION.

B. CHIMNEY INSPECTION. Visually inspect the chimney internally for obstructions and construction damage. Flue pipe joints and seams must be continuous and mechanically tight. In a used chimney, additional inspection is needed for the following:

“Creosote - Formation and Need for Removal.

When wood is burned slowly, it produces tar and other organic vapors, which combine with expelled moisture to form creosote. The creosote vapors condense in the relatively cool chimney flue of a slow-burning fire. As a result, creosote residue accumulates on the flue lining. When ignited, this creosote makes an extremely hot fire.

The chimney should be inspected at least twice a year during the heating season to determine if creosote build-up has occurred.

If creosote has accumulated, it should be removed to reduce the risk of a chimney fire.”

C. CHIMNEY CLEANING. If you do detect a build-up of creosote, contact a qualified chimney sweep or clean it yourself.

1. Open the damper.
2. Hang a damp sheet across the fireplace opening to stop dirt and soot from entering the room.
3. Remove the Terminal Cap. See Figure 19.
4. Clean with a stiff bristled brush attached to a pole,
OR
- 4A. Tie a rope to a burlap bag filled with straw and several stones. Work up and down the flue until clean.
5. Replace the Terminal Cap.

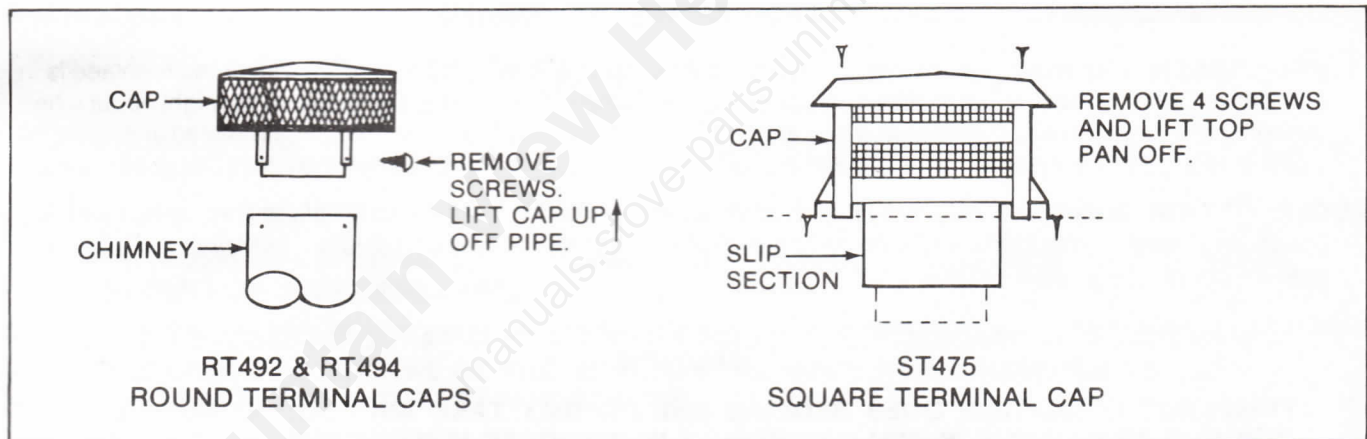


Figure 19
Terminal Caps

D. CLEAR SPACE NEAR FIREPLACE. The Hearth Extension must extend at least 20 inches to the front and 12 inches on either side of the firebox opening. Combustible materials must not be stored in this area. Combustible walls perpendicular to the front of the fireplace must be at least 2 feet from the fireplace opening. Room furnishings such as drapes, curtains, chairs, or other combustibles must be at least 4 feet from the open front of the fireplace.

E. GRATE. The factory installed Integral Grate must be used to hold the logs from falling out of an open fireplace and to allow air to pass between the burning logs. It is important to keep the fire off the hearth and to allow the ashes to collect beneath the fire, thereby forming a layer of additional heat protection. See Figure 20. Use only Catalog Number GR15 Integral Grate for replacement.

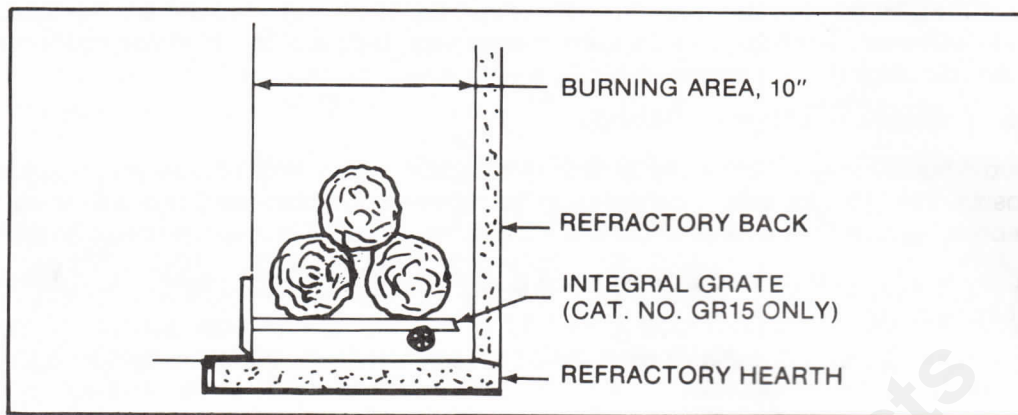


Figure 20
Section Through Fireplace

- F. **INLET AIR OPENING.** Slots are provided near the Glass Door opening on the upper and lower face of this fireplace, which serve as cooling air inlets.

CAUTION

DO NOT APPLY FINISH MATERIALS OVER THE TOP AND BOTTOM AIR INLET SLOTS NEAR THE GLASS DOOR OPENING ON THE FACE OF THESE FIREPLACES. THIS WILL BLOCK THE FLOW OF COOLING AIR AND MAY CAUSE DANGEROUSLY HIGH TEMPERATURES ON THE FIREPLACE AND COMBUSTIBLE SURFACES, AND MAY RESULT IN A STRUCTURE FIRE.

- G. **FIRESCREEN.** A firescreen is always provided to control sparks. It must be closed whenever the fireplace is in use. Glass Doors or firescreens must not be used to hold burning material inside the fireplace as might occur when overfilling the fireplace with empty boxes or branches. Only those Glass Door units specifically tested and listed for use with the specific fireplace model should be used. Screens should be closed when the Glass Doors are closed.
- H. **OUTSIDE AIR.** A damper allows individual control of the Outside Air inlets if your fireplace is equipped with this option. In a tightly sealed or well insulated home, replacement of combustion air is necessary to keep harmful gases from entering living spaces.

CAUTION

FIREPLACE OPERATION DOES REQUIRE AIR. DO NOT TAKE AIR FROM OTHER FUEL BURNING APPLIANCES WHICH CAN RESULT IN IMPROPER VENTING (SMOKING) OR AIR DILUTION. ALWAYS PROVIDE ADEQUATE MAKE-UP AIR.

- I. **SETTING THE FIRE.** Check the flue damper to be sure it is fully open. Place crumpled or twisted paper under the Grate. Loosely arrange kindling or small pieces of wood to form a layer above the paper. Place three logs in a rough pyramid as shown in Figure 20, being sure to allow free air space between the logs. Small sticks of wood may be used to separate the logs. **NOTE:** When heated the first time, the temperature of the fireplace must be raised gradually, to prevent moisture within the refractory from causing cracks, and to allow the binders in the insulation to dissipate.

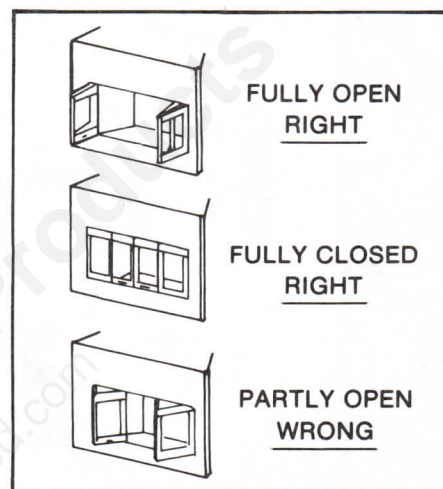
CAUTION

NEVER USE GASOLINE, GASOLINE-TYPE LANTERN FUEL, KEROSENE, CHARCOAL LIGHTER FLUID, OR SIMILAR LIQUIDS TO START OR 'FRESHEN UP' A FIRE IN THIS FIREPLACE. KEEP ALL SUCH LIQUIDS WELL AWAY FROM THE FIREPLACE WHILE IT IS IN USE TO AVOID THE RISK OF FIRE.

- J. **DISPOSAL OF ASHES.** Ashes should be placed in a metal container with a tight-fitting lid. The closed container of ashes should be placed on a non-combustible floor or on the ground, well away from all combustible materials, pending final disposal. If the ashes are disposed of by burial in soil or otherwise locally dispersed, they should be retained in the closed container until all cinders have thoroughly cooled.
- K. **GLASS DOORS.** Most efficient fireplace operation using Glass Doors is with the Doors open, as can be felt when standing in front of the fireplace. When not burning the fireplace, Glass Doors will prevent loss of room heat through the chimney. Only HEATILATOR® Glass Doors, Catalog Numbers GT42A or GT42B may be used.

WARNING

FIREPLACES EQUIPPED WITH DOORS SHOULD BE OPERATED ONLY WITH DOORS FULLY OPEN OR DOORS FULLY CLOSED. IF DOORS ARE LEFT PARTLY OPEN, GAS AND FLAME MAY BE DRAWN OUT OF THE FIREPLACE OPENING, CREATING RISKS OF BOTH FIRE AND SMOKE.



GLASS DOORS

L. **OPERATING YOUR FIREPLACE.**

WARNING

CONTINUED OVERFIRING CAN PERMANENTLY DAMAGE YOUR FIREPLACE SYSTEM. EXAMPLES OF OVERFIRING ARE:

- 1. QUANTITIES OF SCRAP LUMBER, PINE BRANCHES OR CARDBOARD BOXES WHICH EXCEED THE VOLUME OF THE "NORMAL LOG FIRE". THESE MATERIALS PRODUCE MANY SPARKS AND MUST NOT BE USED.**
- 2. THE "NORMAL LOG FIRE" SHOULD BE CONTAINED IN THE GRATE, WITH THE LENGTH OF LOGS NO GREATER THAN THE BACK WALL WIDTH OF THE FIREPLACE.**

- M. **SAFETY - A FINAL WORD.** Fireplaces as well as other woodburning appliances have been used safely for many years. Our own experience is that most problems are caused by improper installation, fueling, and operating. All dimensions specified are minimum and increasing distances to combustibles decreases risk. Such common practice as surrounding the fireplace with loose fill insulation, and especially leaving the fire unattended, will increase the risk of fire. Additionally, an annual inspection of all fireplace systems should be performed, as like any appliance, minor repairs may be required to maintain the system in top operating condition.



Attention **Fireplace Installer:**

*Please return operating
and installation
instructions to the firebox
for consumer use.*

heatilator[®]
THE WOODBURNING SPECIALISTS

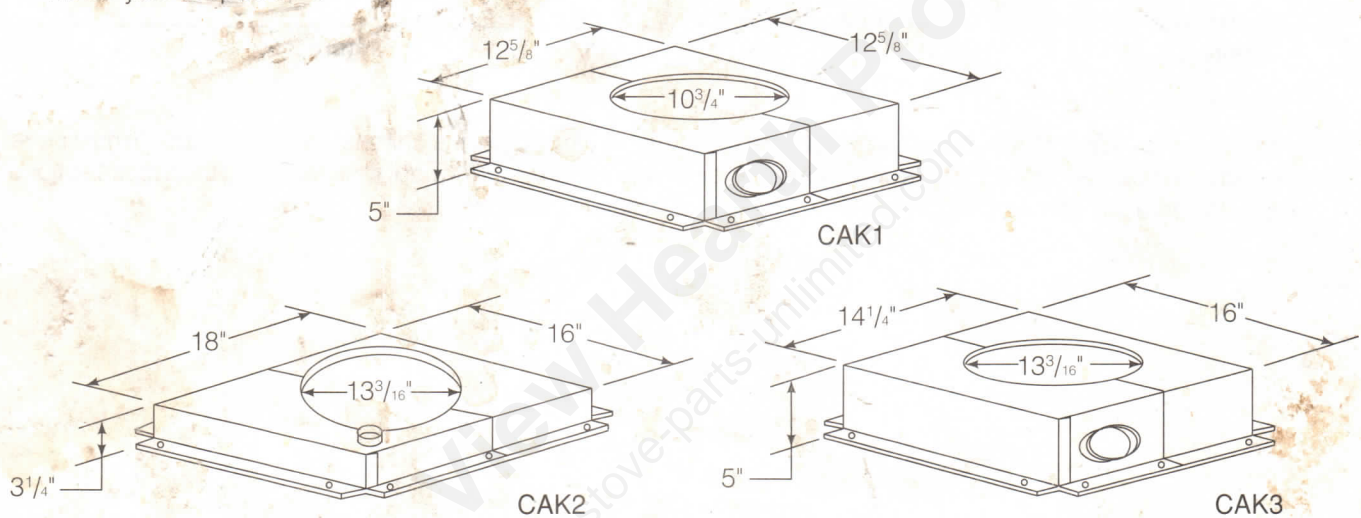
heatilator®

The first name in fireplaces

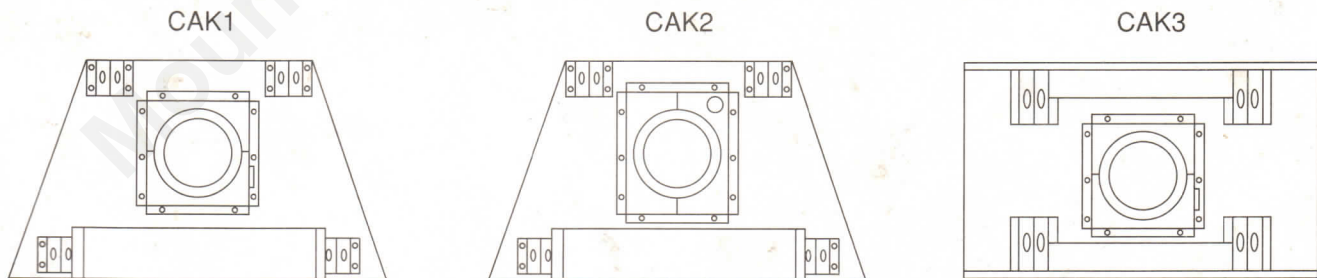
Heatilator Inc.
1915 W. Saunders Street
Mt. Pleasant, IA 52641
Division, HON INDUSTRIES

CAK1 CAK2 CAK3 CHIMNEY AIR KIT INSTALLATION INSTRUCTIONS

1. **Description:** The CHIMNEY AIR KIT (CAK) is available in three sizes. You must first verify you have the correct Kit for your fireplace.



2. **Installation:** First attach the two halves together using the screws provided. Place the box on top of the fireplace as shown in Figure 1. Use the pre-punched holes in the flange as guides and drill (10) 3/32" (2.4 mm) holes through the fireplace top. Secure the box with the screws provided.



USED ON FIREPLACE MODELS

CHB36A/AI	CHB42A/AI
CRB36AI	CRB42AI
CHD36B/BI	CHD42B/BI
CTD36B	CCL36C/D
CDX36AI	CCR36C/D
CCC36	

CTD42B
CTD46BI
CDX42AI

CST36C
CFL92A
CHA112A

Figure 1

Connect the 4" (102 mm) Class 1 duct to the collar on the CAK using the tie clamp provided. Route the duct to an outside wall. The inlet screen must be installed high enough above the ground so it will not be blocked by drifting snow. Cut a hole through the outside wall for the installation of the duct inlet screen. A 4 1/2" (114 mm) diameter hole is sufficient. Feed the loose end of the duct through the hole. Attach it to the inlet screen with the tie clamp provided. Insert the screen into the opening. Secure it in place with the nails provided. Seal the screen with caulking.

If the fireplace is installed against an interior wall, the duct may be extended into a ventilated attic space. The inlet screen must be located a minimum of 18" (457 mm) above the insulation. Secure the screen to a vertical post with the opening as shown in Figure 2.

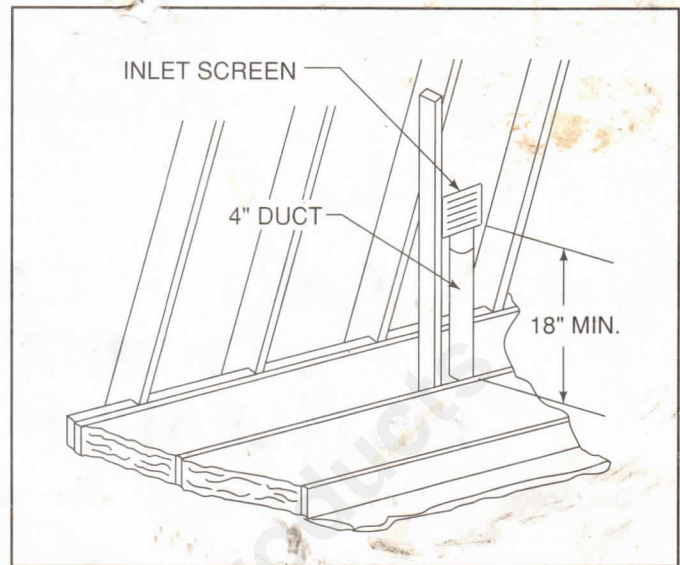


Figure 2

- Venting Restrictions:** The inlet screen must be at least 3' (914 mm) below the chimney top. The ducting must never extend more than 50' (15 m). The duct must never be compressed or deformed, thus reducing the cross sectional area. When additional ducting is needed, use Class 1 metallic duct material.