



INSTALLATION, USE AND MAINTENANCE INSTRUCTIONS FOR PANEL KIT MODELS MI2B, MI2R, AND MI2MB

USE

The MI2B and MI2R panel kits are intended for use on MI2 wood heater manufactured by Martin Industries, Inc. The MI2MB panel kit is intended for use on the MI21 wood heater manufactured by Martin Industries, Inc.

The use of these kits will enhance the appearance of the MI2 and MI21 heaters and will reduce their minimum clearances to combustible walls. (The minimum clearances are shown in the installation, operation, and maintenance manual of each MI2 and MI21 heater and on a plate attached to each heater.)

UNPACKING AND INSPECTION

Each panel kit consists of the following quantities of parts; see figure 1 for the corresponding key numbers.

KEY NO.	PART NAME	MI2B PART NO.	MI2R PART NO.	MI2MB PART NO.	QTY.
1	Panel Side Painted	025598	025598	029675	2
2	Frame Top Assembly Enameled	025602	025607	029678	1
3	Top Louvered Assembly Painted	025599	025599	029676	1
4	Bracket Support Enameled	025600	025605	029677	4

Each kit also contains an assortment of fasteners to be used during the kit's installation.

Inspect the kit thoroughly for shipping damage. Return damaged parts to your dealer for replacement.

INSTALLATION (Refer to figure 1)

1. Use the fasteners (Key nos. 6 & 7) provided in the kit to attach two of the bracket support parts (key no. 4) to the front sides of the heater as shown by figure 1. Tighten the fasteners securely.

2. Use the fasteners (Key nos. 5, 6, & 7) that have been used to fasten the back radiation shield to the heater and attach the remaining two bracket support parts (key no. 4) to the back sides of the heater as shown by figure 1 and retighten the fasteners securely.

CAUTION: DO NOT REMOVE THE BACK RADIATION SHIELD.

3. Fasten one of the panel sides (key no. 1) to the left side of the heater by placing one of the panel ends into the retaining cavity of the left front bracket support. Then by slightly and temporarily bowing the panel side, its other end can be snapped into the retaining cavity of the left back bracket support.

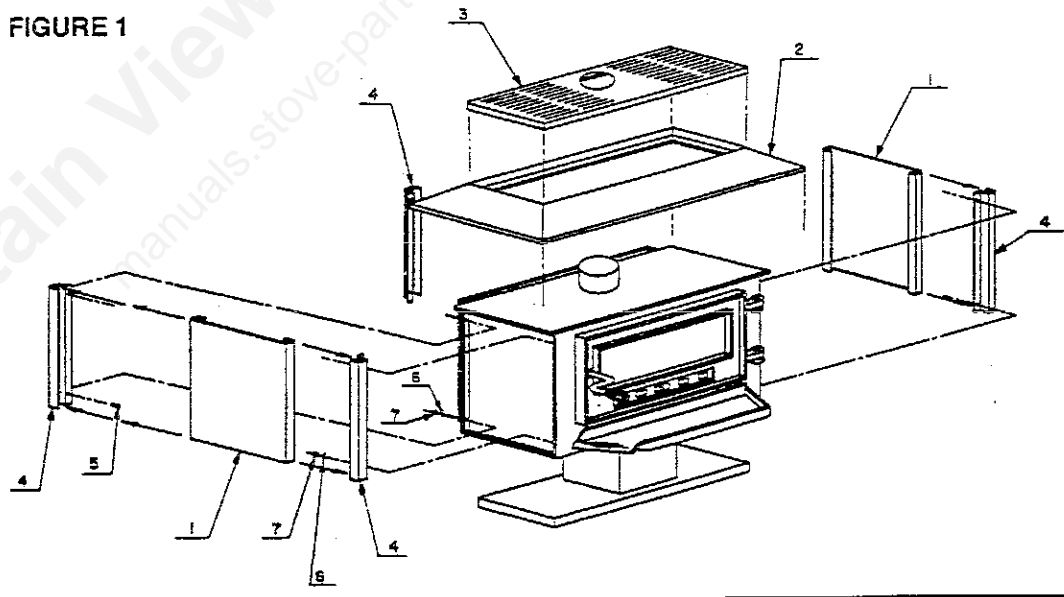
4. Fasten the remaining panel side (key no. 1) to the right side of the heater by following the same procedure described by step 3 above.

5. Place the top louvered assembly (key no. 3) into the cavity of the frame top assembly. (Key no. 2).

6. Position the frame top assembly (key no. 2) onto the top of the heater so that the round hole in the top louvered assembly will fit around the flue collar extending from the top of the heater. A slight shifting of the frame top assembly will cause it to settle into a snug fitting position.

The installation of the panel kit is now complete.

FIGURE 1



MAINTENANCE

The surfaces of the kit may be wiped free of dust with a soft cloth. The use of any other cleaning method may damage or remove the paint or enamel.

KING PRODUCTS DIVISION
P.O. Box 128, Florence, AL 35631

used on CAC
EC95

MARTIN-HUNTS

INVENTORY BALANCE / IN

REPORT NO. AME410

RELATIVE LEVEL	COMPONENT ITEM NO.	DESCRIPTION	QUANTITY PER
	PARENT ITEM NO. 010003H	DESCRIPTION- K8-902 BLOWER ENGR DRAW. -	
1	P4H	SCREW	6.000
2	P504H	NUT 3-32 HEX ZINC	2.000
3	P513H	STAPLES 5/8 IN ASS	2.000
4	P516H	STITCHING COPPERED .020 X .1	2.005
5	P5714	NUT 10-24 HEX CAD	2.000
6	P584H	WIRENUT	1.000
7	P590H	RIVET POP 1/30X.255 CS ZINC	1.000
8	P6163H	GROMMET RUBBER 3/8 G.O. 287145	2.000
9	P620H	NUT HEX ZINC TLM-10245H	3.000
10	P829H	WASHER LOCK TOOTH #10 ZINC	2.000
11	P833H	WASHER WFG STD PLATE 1/4 SCREW	3.000
12	003385H	BUSHING SR FOR 5/8 DIA HOLE	1.000
13	004928H	SWITCH FAN	1.000
14	004999H	PAD CARTON	1.000
15	005138H	GASKET	1.000
16	007670H	ADHESIVE 3M #77 OR EQUIVALENT	.260
17	008415H	PACKAGE HARDWARE ASSY	1.000
18	P11617H	BAG 4X6-1/2 PLASTIC	1.000
19	P829H	WASHER LOCK TOOTH #10 ZINC	5.000
20	005372H	STAPLE 1/2 IN STCR S019	1.000
21	023058H	SCREW 4-16X1/2 SP SHEXT ZINC	5.000
22	010008H	MOTOR ASSY	1.000
23	P5074H	TERMINAL RING STRAIGHT	1.000
24	P5284H	RECEPTACLE TERMINAL AMP 41274	2.000
25	004948H	MOTOR W/SLEEVE	1.000
26	006611H	CONNECTOR CONDUIT - STRAIGHT	1.000
27	008973H	CONDUIT FLEXIBLE METAL	1.000
28	010009H	CONDUIT STL FLEX X 3/8 IN ID	3.083
29	010010H	WHEEL FLOWER ALUMINUM	1.000
30	010012H	BOX WIRING ASSY PAINTED	1.000
31	010013H	BOX WIRING ASSY WELD	1.000
32	P259H	STUD WELD 10-24 X 1/2	1.000
33	010014H	BOX WIRING 5-7/8 X 6-1/4	1.000
34	004419H	023 CRS 5-1/4 COIL	.391
35	045870H	SPECS, PAINT BLACK HH-HS	.001
36	010015H	COVER WIRING BOX ASSY PAINTED	1.000
37	C13301H	COVER WIRING BOX 3X10-1/16	1.000
38	001609H	023 CRS SCRAP	.262
39	045870H	SPECS, PAINT BLACK HH-HS	.001
40	010016H	WIRE ASSY	1.000
41	P5045H	TERMINAL FLAG 90 DEGREES	1.000
42	P5284H	RECEPTACLE TERMINAL AMP 41274	1.000
43	011462H	WIRE 18GA STR 150 DEG.C	5.000
44	010019H	SWITCH 6A 125 TOGGLE	1.000
45	010022H	CARTON	1.000
46	011419H	TAG INVENTORY PLAIN	1.000
47	015153H	GASKET BLOWER PLATE	1.000
48	015255H	GASKET RUBBER 3 I.D.	1.000
49	015256H	WASHER	3.000
50	015257H	BUSHING	3.000

Have quite a few
Diagrams
9/11/11

Beckitt
Air

Martin's
went 2/4/96

OG (Drawing Quality)

REPORT NO. AME419

PARENT ITEM NO.
010003H

DESCRIPTION- KB 902 BLOWER
ENGR DRAW -

RELATIVE LEVEL	COMPONENT ITEM NO.	DESCRIPTION	QUANTITY PER
	016119H	PLATE MOTOR MOUNT ASSY PTD	1.00
51 .1	011403H	PLATE MOTOR MOUNT ASSY	1.00
52 .2	004927H	PLATE MCTR MOUNT 6-7/8 x 6-7/8	1.00
53 .3	008418H	028 CRS 6-7/8 COIL	.39
54 .4	011402H	GROUND CLIP 1/2 X 1-1/2	1.00
55 .3	001609H	028 CRS SCRAP	.00
56 .4	045800H	SPECS, PAINT BLACK HH-HS	.00
57 .2	016122H	HOUSING BLOWER ASSY PTD	1.00
58 .1	020844H	HOUSING BLOWER WELDED ASSY	1.00
59 .2	006004H	HOUSING BLOWER ASSY	1.00
60 .3	006005H	SIDE HOUSING #1 11-1/2 X 15-1/2	1.00
61 .4	000159H	028 CRS 31 COIL	1.41
62 .5	006006H	SIDE HOUSING #2 11-1/2 X 15-1/2	1.00
63 .4	000159H	028 CRS 31 COIL	1.41
64 .5	006009H	EXTENSION HOUSING 3 X 8-1/2	1.00
65 .3	008422H	028 CRS 8-1/2 COIL	.22
66 .4	006010H	CLIP MOUNTING 1 X 2-1/8	3.00
67 .3	000175H	034 CRS SCRAP	.06
68 .4	011640H	SCREW WELD #10-24 X 7/8	3.00
69 .3	045800H	SPECS, PAINT BLACK HH-HS	.00
70 .2	031578H	LABEL KB902 CARTON "C"	2.00
71 .1	035489H	PACKET KB902 INFORMATION	1.00
72 .1	039812H	PLATE RATING LABEL (KB902)	1.00
73 .1	051159H	LABEL UPC KB902	1.00
74 .1	053048H	CORDSET ASSEMBLY	1.00
75 .1	011128H	TAG WARNING ELECTRICAL (C)	1.00
76 .2	004502H	WIRE TIE 3 IN (PAPER COVERED)	1.00
77 .2	055042H	CORD POWER ASSY	1.00
78 .2			

891360

Inspected By

MLin

KB 90
CAL
EC 95