



HEARTH PRODUCTS

# INSTALLATION INSTRUCTIONS

## COLONIAL SERIES

36" Wood Burning Fireplaces  
P/N 850,005M REV. F 01/2007

### MODELS

COL-3629


COL-3629H

This installation manual will enable you to obtain a safe, efficient and dependable installation of your fireplace system. Please read and understand these instructions before beginning your installation.


Do not alter or modify the fireplace or its components under any circumstances. Any modification or alteration of the fireplace system, including but not limited to the fireplace, chimney components and accessories, may void the warranty, listings and approvals of this system and could result in an unsafe and potentially dangerous installation.

**IMPORTANT! TO ASSURE PROPER ALIGNMENT OF GLASS DOORS: INSTALL THIS FIREPLACE IN A SQUARE AND PLUMB CONDITION, USING SHIMS AS NECESSARY AT SIDES AND/OR BOTTOM.**

**RETAIN THESE INSTRUCTIONS FOR FUTURE REFERENCE**

**NATIONAL FIREPLACE INSTITUTE**  
  
**CERTIFIED**  
[www.nficertified.org](http://www.nficertified.org)

We suggest that our woodburning hearth products be installed and serviced by professionals who are certified in the U.S. by the National Fireplace Institute® (NFI) as NFI Woodburning Specialists or who are certified in Canada by Wood Energy Technical Training (WETT).

 **Wood Energy Technical Training**  
[www.wettinc.ca](http://www.wettinc.ca)



WH Report No. J20054576-231

## TABLE OF CONTENTS

Safety Rules .....	page 2
Tools and Building Supplies .....	page 2
Precautions .....	page 3
Introduction .....	page 3
Clearances/Height Requirements .....	page 3
Chimney System .....	page 3
Assembly Outline .....	page 4
Location of Fireplace .....	page 4
Assembly Steps .....	page 5
Preinstallation Notes .....	page 5
Clearances .....	page 5
Installing the Fireplace .....	page 5
Fireplace Specifications .....	page 6
Framing Specifications .....	page 7
Installing the Chimney System .....	page 8
Ten Foot Rule Summary .....	page 10
Multiple Terminations .....	page 11
Chimney Component Calculations ...	page 11
Special Offset Instructions .....	page 11
Offset Calculations .....	page 12
Vertical Elevation Chart .....	page 13
Offset Elevation Chart .....	page 13
Installing Offsets .....	page 14
30° Offset through Floor/Ceiling .....	page 14
Optional Equipment Considerations .	page 14
Combustion Air Kits .....	page 14
Glass Doors .....	page 15
Gas Line Connection .....	page 15
Vent Free Appliances .....	page 15
Cold Climate Insulation .....	page 15
Fireplace Finishes .....	page 15
Mantels and Trim .....	page 15
Hearth Extensions/Wall Shields .....	page 16
Finish Requirements .....	page 18
Installation Components .....	page 18

### IMPORTANT: PLEASE READ AND UNDERSTAND THESE RULES TO FOLLOW FOR SAFETY.

1. Before starting your fireplace installation, read these installation instructions carefully to be sure you understand them completely and in entirety. Failure to follow them could cause a fireplace malfunction resulting in serious injury and/or property damage.

2. Always check your local building codes. The installation must comply with all local, regional, state and national codes and regulations.

3. These fireplaces must be installed with Security Chimneys FTF10 [10" (250 mm) inside diameter] Chimney System only. These systems are intended for use in any application where a traditional masonry type fireplace would apply. The chimney system must always vent to the outside of the building.

4. To ensure a safe fireplace system and to prevent the build-up of soot and creosote, inspect and clean the fireplace and chimney prior to use and periodically during the heating season.

5. Use solid fuel only. DO NOT use chemical chimney cleaners or flame colorants in your fireplace.

**Never burn treated construction lumber or scraps. These woods burn excessively hot and may contain chemicals used to treat insects and fungus. When burned, these chemicals can pose a significant hazard.**

6. DO NOT use charcoal or coal under any circumstances.

7. NEVER use gasoline, gasoline-type lantern fuel, kerosene, charcoal lighter fluid, or similar liquids to start or "freshen up" a fire in this fireplace. Keep any flammable liquids at safe distance from the fireplace.

8. NEVER leave children unattended when there is a fire burning in the fireplace.

9. Always keep flue damper open when heat is present in the fireplace.

10. Before servicing, allow the fireplace to cool. Always shut off any electricity or gas to the fireplace while working on it. This will prevent any possible electrical shock or burns.

11. This fireplace is not intended to heat an entire home or be used as a primary heat source. It is designed to ensure homeowner comfort by providing supplemental heat to the room.

12. Always ensure that an adequate supply of replacement combustion air from the outside of the house is accessible to the fire to support normal combustion. Fireplaces consume large volumes of air during the normal combustion process. In the event the home is tightly sealed with modern energy efficient features, the optional combustion air kit may not provide all the air required to support combustion.

The manufacturer is not responsible for any smoking or related problems that may result from the lack of adequate combustion air. It is the responsibility of the builder/contractor to ensure that adequate combustion air has been provided for the fireplace.

13. DO NOT use a fireplace insert or any other products not specified herein by the manufacturer for use with this fireplace. All gas log sets must be operated with the damper clamped open, including unlisted "vent free" log sets. Listed "vent-free" log sets may be operated with the damper closed.

14. "Smoke free" operation is not warranted nor are we responsible for inadequate system draft caused by mechanical systems, general construction conditions, inadequate chimney heights, adverse wind conditions and/or unusual environmental factors or conditions beyond our control.

15. Never, under any circumstances, install a fireplace, chimney component or any accessories, that has visible or suspected physical damage as a result of handling or transportation. These items should be inspected by your distributor or qualified factory representative to ensure safe condition. When in doubt, consult your distributor.

16. For additional safety considerations and complete operating instructions, refer to the Care and Operation Manual provided with the fireplace.

### TOOLS AND BUILDING SUPPLIES NORMALLY REQUIRED

Tools should include:

- Phillips screwdriver
- Hammer
- Saw and/or sabersaw
- Level
- Measuring tape
- Plumb line
- Electric drill and bits
- Pliers
- Square

Building supplies:

- Framing materials
- Wall finishing materials
- Caulking materials (noncombustible)
- Fireplace surround and hearth extension materials (noncombustible)

## PRECAUTIONS

**Note:** These fireplace systems are not difficult to install. However, in the interest of safety, it is recommended that the installer be a qualified or certified "tradesman" familiar with commonly accepted fireplace installation and safety techniques as well as prevailing local codes.

The most important areas of concern dealing with the installation of factory-built fireplaces are clearances to combustibles materials, proper assembly of component parts, height of the chimney system, the proper use of accessories supplied by the manufacturer and the techniques employed in using finishing materials applied to the wall surrounding the fireplace, hearth extensions and wall shields. Each of these topics will be covered in thorough detail throughout this manual. Please give each your special attention as you progress with your installation.

**IMPORTANT: WHEN INSTALLING IN CANADA, THE CHIMNEY AIR KIT MUST BE INSTALLED PER THE WARNOCK HERSEY INC. LISTING.**

**IMPORTANT: THE MINIMUM AIR SPACE TO COMBUSTIBLES FOR THE CHIMNEY SYSTEM IS 2" (51 MM).**

## TYPICAL INSTALLATION

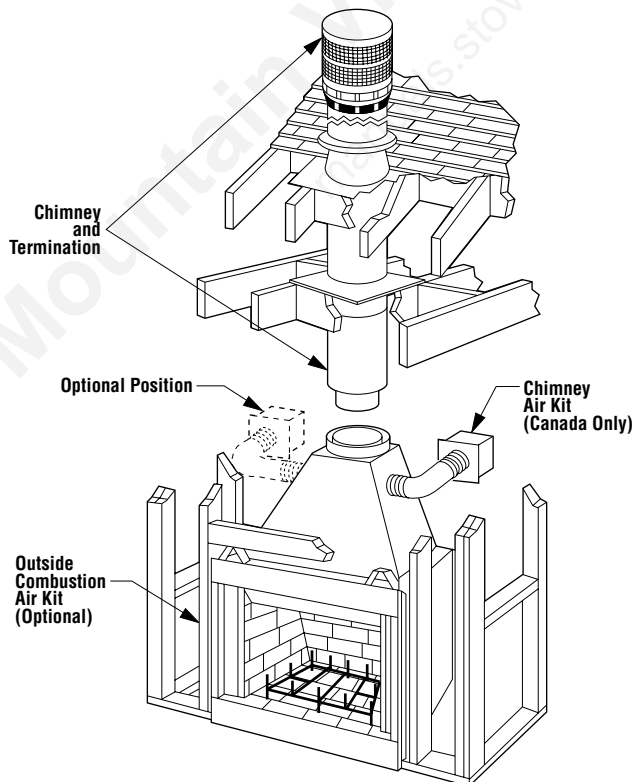


Figure 1

## INTRODUCTION

### General Information

These fireplaces are conventional radiant heat fireplaces with standard bar grates, optional outside combustion air kits and optional decorative glass doors.

**Note:** Illustrations shown reflect "typical" installations with nominal dimensions and are for design and framing reference only. Actual installations may vary due to individual design preferences. However, always maintain minimum clearances to combustibles materials and do not violate any specific installation requirements.

The Colonial Series fireplaces have been tested and listed by Warnock Hersey Inc. (Report No. J20054576-231) to U.L. 127 standard for U.S. installations and U.L.C. S610 standard for Canadian installations. These units are intended for installation in residential homes and buildings of conventional construction, not in mobile homes.

These fireplace systems are designed for installation in accordance with the National Fire Protection Standard for chimneys, fireplaces and solid fuel burning appliances; NFPA 211 and in accordance with codes such as the BOCA Basic/National Codes, the Standard Mechanical Code, Uniform Building Codes and/or the Canadian National Code.

NOTE: DIAGRAMS & ILLUSTRATIONS NOT TO SCALE.

**WARNING: FAILURE TO USE MANUFACTURE PROVIDED PARTS, VARIATIONS IN TECHNIQUES AND CONSTRUCTION MATERIALS OR PRACTICES OTHER THAN THOSE DESCRIBED IN THIS MANUAL MAY CREATE A FIRE HAZARD AND VOID THE LIMITED WARRANTY.**

When complete these fireplace systems consist of five basic "sub-systems":

1. The Fireplace
2. The Chimney and Termination
3. The Optional Glass Doors
4. The Optional Combustion Air Kit
5. The Chimney Collar Enclosure Kit (Canada Only)

## CLEARANCES AND HEIGHT REQUIREMENTS

The fireplace may be placed on or near normal construction materials\*. The combustion air kit, firestop spacer and roof flashings (not chase flashings) may be placed directly on or against normal construction materials\*. The chimney requires a minimum 2" (51 mm) air space to combustibles. A combustible mantle may be installed a minimum of 12" (305 mm) above the opening of the fireplace as per NFPA 211, Section 7-2.3.3. In Canada the minimum is 24" (610 mm) above the opening.

The fireplace and chimney system must be enclosed when installed in or passing through a living area where combustibles or people may come in contact with it. This is important to prevent possible personal injury or fire hazard.

For questions, please call your distributor or the manufacturer. Special restrictions apply to the front and facing of the fireplace and nearby walls (See pages 16 and 17).

## CHIMNEY SYSTEM

These fireplaces are designed and code listed for use with Security Chimneys FTF10 chimney System only. Always use Security Chimneys FTF10 chimney components with these fireplaces. Do not modify or alter these components as this may cause a potential serious hazard and void the Warranty.

\*Construction Materials:

- framing materials
- paneling
- particle board
- flooring
- dry wall
- etc.
- plywood

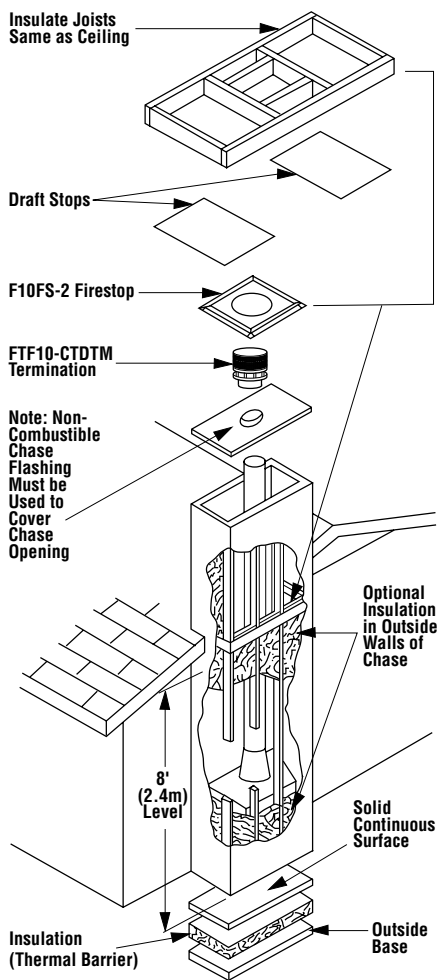


Figure 2

**WARNING: IF INSULATION IS USED, THE FIREPLACE MUST NOT BE PLACED DIRECTLY AGAINST IT. INSULATION OR VAPOR BARRIERS, IF USED, MUST FIRST BE COVERED WITH GYPSUM BOARD, PLYWOOD, PARTICLE BOARD OR OTHER MATERIAL TO ASSURE INSULATION AND VAPOR BARRIERS REMAIN IN PLACE.**

**WARNING: DO NOT PACK OR FILL REQUIRED AIR SPACES WITH INSULATION OR OTHER MATERIAL. NO MATERIAL IS ALLOWED IN THESE AREAS.**

*Note: Local codes may not require firestopping at the ceiling levels for outside chase installations. However, it is recommended for safety and the reduction of heat loss.*

*Note: Do not insulate the chase cavity with blown or fill type insulation materials.*

## CHIMNEY HEIGHT

The total height of your completed fireplace system from the surface the fireplace rests on to the chimney top must not exceed 80' (24.4m) and must also meet minimum height requirements. Refer to the minimum system height chart.

### Minimum System Height

Security's FTF10 Pipe	
Vertical Installation	16' 0" (4.8 m)
One Offset	18' 6" (5.6 m)
Two Offsets	22' 0" (6.7 m)

## Chase Enclosure

A chase is a vertical box-like structure constructed to surround the fireplace and chimney. Refer to Figure 2 for a typical chase configuration. As with all chimney installations, avoid overhead obstructions such as trees, power lines, etc. A chase should be constructed and insulated just like any outside wall. In a cold climate, we recommend the base of the chase should also be insulated between the solid continuous floor beneath the fireplace and the chase bottom. Chase insulation in a cold climate installation is not required for safety.

## ASSEMBLY OUTLINE

### Before You Start

Check your inventory list to be sure you have all the necessary parts supplied in good usable condition. Check also for any concealed damage.

Check the operation of the damper. The damper is controlled through the use of a control lever located within the firebox opening at the top center just behind the firebox lintel (Figure 3).

Push back and up (away from the front of the fireplace) to lock the damper blade in the OPEN position. To lock the damper in the CLOSED position, the damper handle needs to be pulled forward and up (towards the front of the fireplace).

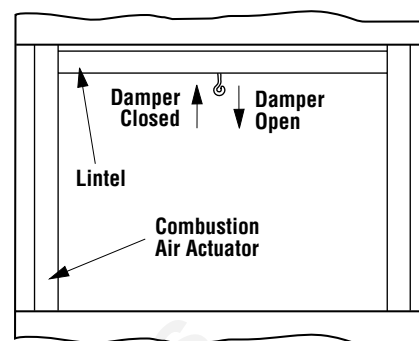


Figure 3

## LOCATION OF FIREPLACE

Carefully select the proper location for heat circulation, aesthetics, chimney obstructions and clearance to side wall(s). With proper pre-planning, a slight adjustment of a few inches can save considerable time and expense later during construction and assembly.

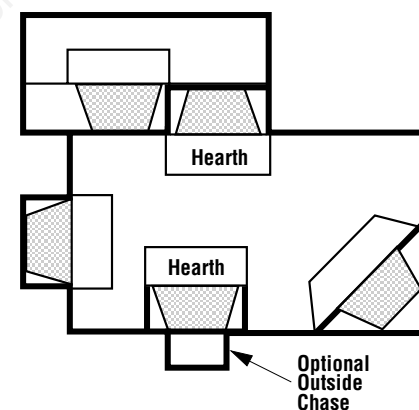
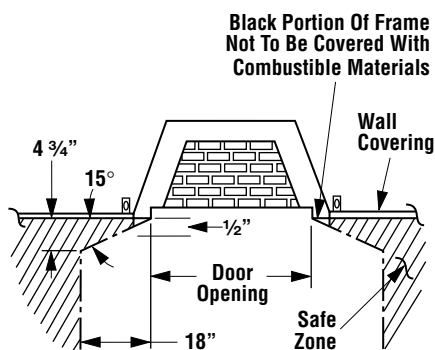


Figure 4

Carefully consider the position of the fireplace opening with respect to the location of adjacent or nearby stairwells, bath or kitchen exhaust fans and/or return air registers for forced air furnaces/air conditioners that could cause a smoking fireplace condition if the house is tightly insulated.

When locating the fireplace, consideration must be given to combustibles and final finishing. See Figure 5 and confine the final location of combustible finish materials to the "Safe Zone".



**Figure 5**

DO NOT permanently place furniture or other items such as decorative pillows within 60" of the fireplace front face.

## ASSEMBLY STEPS

**Note:** The following steps represent the normal sequence of installation. Each installation is unique, however, and might require a different sequence.

1. Position firebox prior to framing or into prepared framing.
2. Install chimney air kit (Canada only).
3. Install the chimney system.
4. Install optional outside combustion air kit.
5. Plumb gas line if a decorative gas appliance will be used. (Gas connections should only be performed by an experienced, licensed/certified tradesman.)
6. Complete the installation, finish wall material, surround and hearth extension to your individual taste.
7. Assemble and attach optional glass door assembly.

Study the three dimensional illustration (Figure 1) to get a general idea of each element of your fireplace system.

## PRE-INSTALLATION NOTES

The fireplace may be installed directly on a combustible floor or raised on a platform of an appropriate height. Do not place fireplace on carpeting, vinyl or other soft floor coverings. It may, however, be placed on flat wood, plywood, particle board or other hard surfaces.

Be sure fireplace rests on a solid continuous floor or platform with appropriate framing for support and so that no cold air can enter the room from under the fireplace.

The fireplace may be positioned and then the framing built around it, or the framing may be constructed and the fireplace positioned into the opening.

Usually, no special floor support is needed for the fireplace, however, to be certain:

1. Estimate the total weight of the fireplace system including chimney and surround materials such as brick, stone, etc., to be installed. Shipping weights for the fireplace may be found on page 17.
2. Measure the square footage of the floor space to be occupied by the system, surrounds and hearth extensions.
3. Note the floor construction, i.e. 2 x 6's, 2 x 8's or 2 x 10's, single or double joists, type and thickness of floor boards.
4. Use this information and consult your local building code to determine if you need additional support.

**CAUTION: DO NOT BLOCK THE HEAT-CIRCULATING AIR INLET AND OUTLET PORTS ON CIRCULATING MODELS. DOING SO MAY RESULT IN A POTENTIAL FIRE HAZARD.**

If you plan to raise the fireplace and hearth extension, build the platform assembly then position fireplace and hearth extension on top. Secure the platform to the floor to prevent possible shifting.

## CLEARANCES

Minimum clearance to combustibles for the Colonial fireplace is as follows; sides and back – 1" (25.4 mm), combustible floor – 0" (0 mm), adjacent wall 18" (457 mm), adjacent shielded wall (*K* factor of .84 or less 24" W x 36" H) 12" (305 mm), ceiling – 37 1/2" (953 mm).

**Note:** Clearance at the nailing flange for both fireplace models is 0" (0mm).

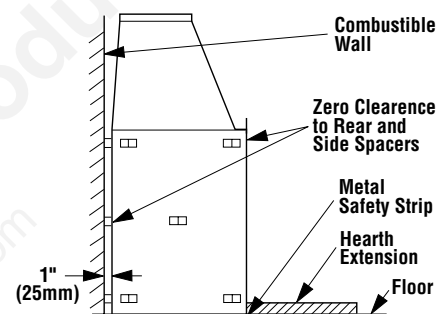
**Note:** Adjacent wall considerations are for an adjacent wall on only a single side. Walls should not be placed at minimum distance at both sides of the fireplace.

## INSTALLING THE FIREPLACE

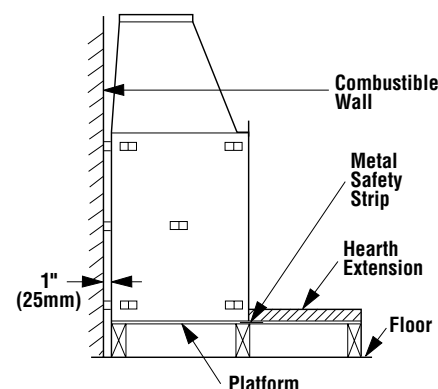
**Step 1.** Slide the fireplace into prepared framing or position fireplace in its final position and frame later.

**Step 2.** Insert the metal safety strips, packaged with the fireplace, beneath the fireplace as illustrated (Figures 6 and 7). The safety strips should overlap 1" (25 mm) for continual coverage of the floor.

**Note:** Safety strips are not required when fireplace rests on a noncombustible surface.



**Figure 6**



**Figure 7**

**Note:** Install the hearth extension only as illustrated.

The safety strips should extend from front and sides of the fireplace 2" (51 mm). In the event a wooden support is used to elevate the fireplace above the floor, a "Z" type safety strip should be fabricated and used to protect the front surface of the wood support as well as the floor beneath the hearth extension (see Figures 8 and 9). The safety strips should be tacked down to prevent possible movement.

Note: The "Z" type safety strip is not supplied.

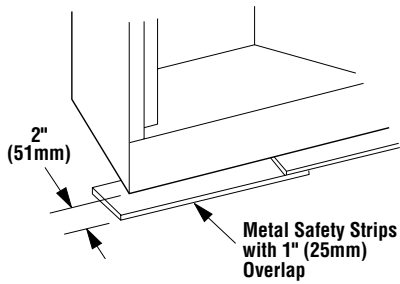


Figure 8

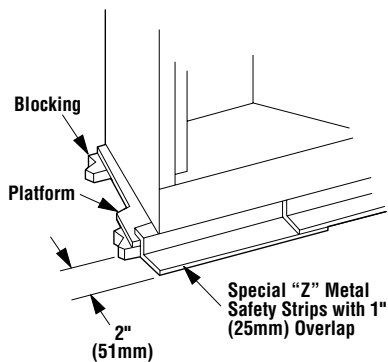


Figure 9

**Step 3.** Refer to fireplace drawings and specifications on pages 6 and 7 for framing dimensions and details. Frame appliance enclosure as illustrated in Figures 12 through 15 on page 7.

**IMPORTANT: UNDER NO CIRCUMSTANCES CAN THE FIREPLACE TOP SPACERS (SEE FIGURE 11) BE REMOVED OR MODIFIED, NOR MAY YOU NOTCH THE HEADER TO FIT AROUND OR BE INSTALLED LOWER THAN THE SPACERS. THE HEADER MAY BE IN DIRECT CONTACT WITH THE TOP SPACERS BUT MAY NOT BE SUPPORTED BY THEM.**

**Step 4.** Fireplace may be anchored to floor. Bend down four (4) anchor tabs located at the base of the fireplace and secure to the floor by nailing with 8d nails (Figure 10).

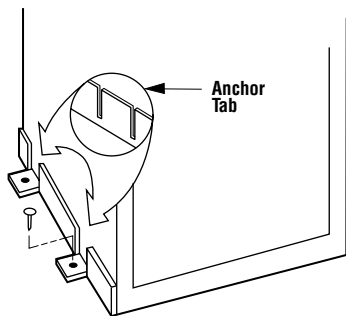


Figure 10

## FIREPLACE SPECIFICATIONS

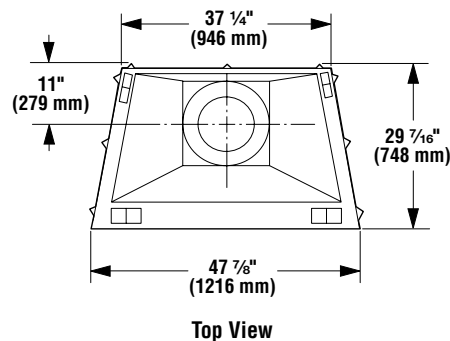
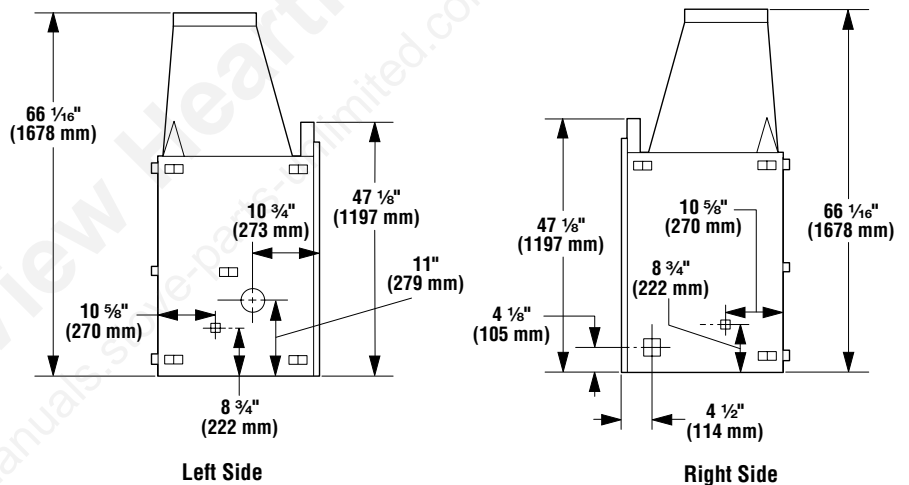
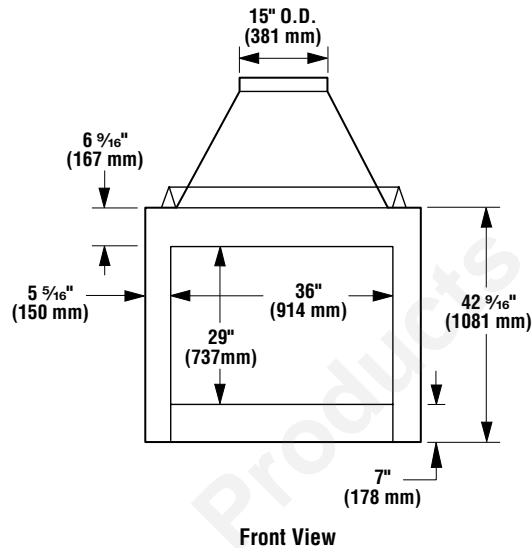


Figure 11

NOTE: DIAGRAMS & ILLUSTRATIONS NOT TO SCALE.

**Note:** The framed depth, 28<sup>13</sup>/<sub>16</sub>" (732mm) from a framed wall, must always be measured from a finished surface. If a wall covering such as drywall is to be attached to the rear wall, then the framed depth must be measured from the drywall surface. It is important that this dimension be exact.

If the appliance is to be elevated above floor level, a solid continuous platform must be constructed.

The header may rest on the top metal spacers, but must not be notched to fit around them.

Consult all local codes.

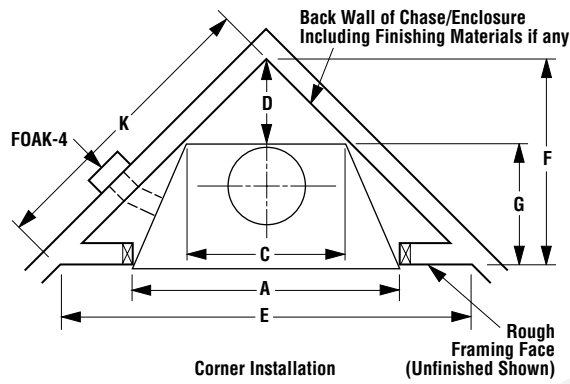


Figure 15

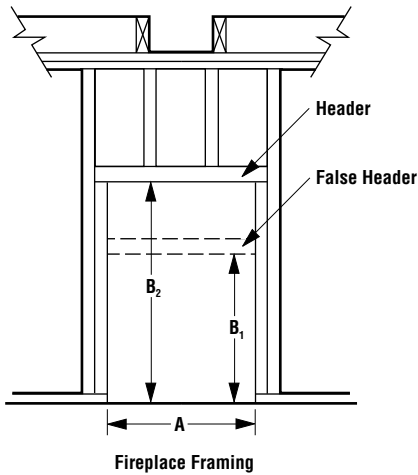


Figure 12

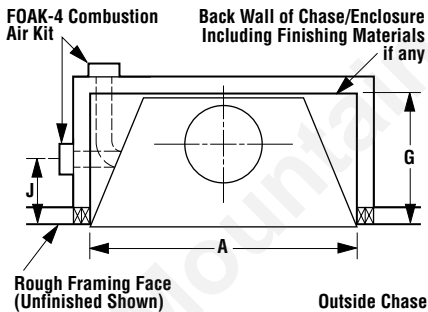


Figure 13

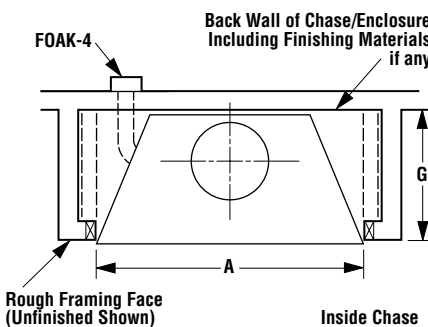


Figure 14

**Framing Dimensions**

<b>A</b>	48"	(1219 mm)
<b>B<sub>1</sub></b>	47 1/4"	(1200 mm)
<b>B<sub>2</sub></b>	66 1/2"	(1689 mm)
<b>C</b>	37 1/4"	(946 mm)
<b>D</b>	18 5/8"	(473 mm)
<b>E</b>	94 7/8"	(2410 mm)
<b>F</b>	47 7/16"	(1205 mm)
<b>G</b>	28 13/16"	(732 mm)
<b>J</b>	17 1/2"	(445 mm)
<b>K</b>	67"	(1702 mm)

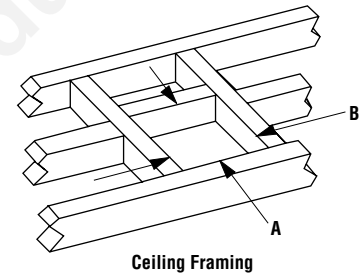


Figure 16

**Framing Dimensions for Ceiling**

Flue Type	A	B
FTF10 Vertical	19" (483 mm)	19" (483 mm)
FTF10 30° Offset	19" (483 mm)	29" (737 mm)

**Framing Dimensions for Roof**

Pitch	C	D*
0/12	19" (483 mm)	19" (483 mm)
6/12	19" (483 mm)	22" (559 mm)
12/12	19" (483 mm)	27" (686 mm)

\*Perpendicular to roof ridge

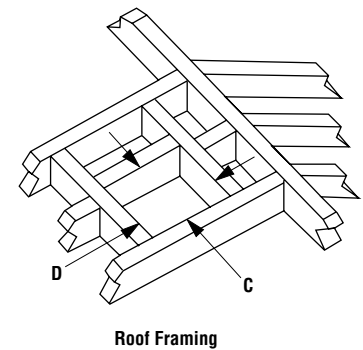
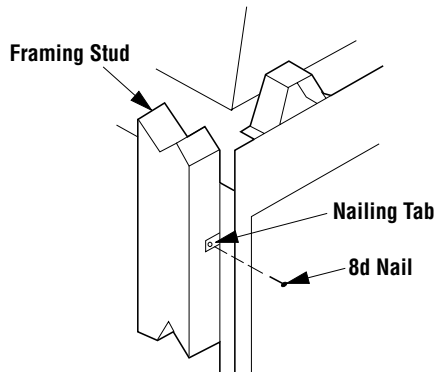


Figure 17

NOTE: DIAGRAMS & ILLUSTRATIONS NOT TO SCALE.

**Step 5.** Fireplace should be secured to side framing members using the full length nailing tabs at the top and bottom of the fireplace front face. Use 8d nails or equivalent (Figure 18).

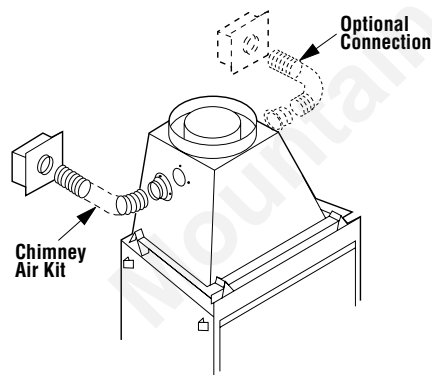


**Figure 18**

**Note:** The nailing tabs and the area directly behind the nailing tabs are exempt from the clearances described on page 5. Maintain at least 1/2" clearance from the firebox wrapper to the framing at the closest point of contact, directly adjacent to the flange.

**For Canadian Installations  
Proceed with Steps 6–9**

**Step 6.** Remove one of the knockouts from the fireplace transition and attach the 4" (102 mm) collar from the air kit to the transition with four (4) No. 8 x 1/2" screws provided (Figure 19).



**Figure 19**

**Step 7.** Connect the 4" (102 mm) Class 0 air duct to the collar with two (2) No. 8 x 1/2" screws provided in the hardware kit.

**Step 8.** Route the Class 0 air duct out the back wall or side wall, up through the ceiling or floor joists to an outside wall. The air duct should be located above snow level.

**Note:** If the fireplace is installed against an inside wall, the Class 0 air duct may be extended into a ventilated attic space at least 18" (457 mm) above the attic floor. Secure the duct hood to a vertical post with the inlet positioned downward. Ensure nothing blocks the hood opening. This air duct must never terminate higher than the chimney.

**Step 9.** Cut or frame hole through the outside wall for the installation of the duct inlet hood. A 4 1/2" (114 mm) diameter hole is sufficient. Feed the loose end of the flexible duct through the hole cut for the inlet hood and attach to collar on inlet hood using two (2) No. 6 x 3/8" screws provided. Insert hood into opening. Secure hood in place with the No. 8 x 1 1/2" screws provided or with nails driven through holes in hood flange. Seal with noncombustible waterproof silicon type caulking. If additional duct is needed, use Class 0 metallic duct.

**INSTALLING THE CHIMNEY SYSTEM**

**Step 1.** Before continuing, check the operation of the damper, as described on page 4, (refer to Figure 3).

**Step 2.** Using standard construction framing techniques, construct opening for chimney route up through the ceiling(s) and roof or through an outside chase.

Framing must maintain adequate minimum air space clearance at all times.

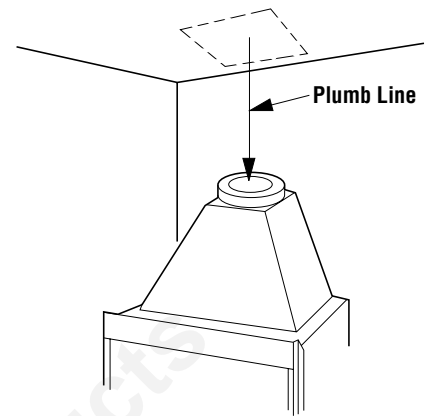
**CAUTION: ALLOW MINIMUM 2" CHIMNEY AIR SPACE TO COMBUSTIBLE FRAMING MEMBERS THROUGHOUT VERTICAL OR OFFSET CHIMNEY INSTALLATION.**

**A minimum 2" air space must be reserved for all combustible materials extending for any continuous length surrounding the chimney.**

Reference Figures 16 and 17 and charts Framing Dimensions for Ceiling and Roof, which specify minimum ceiling and roof dimensions.

In new construction, to determine chimney center line, use plumb line from roof or ceiling above fireplace to center of flue collar on fireplace.

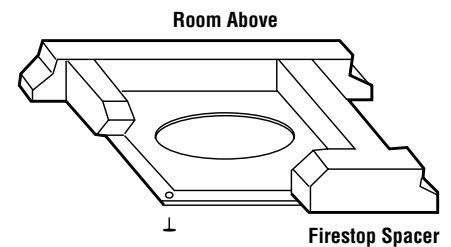
For remodeling, plumb to center of flue collar from ceiling above, drive nail through ceiling from below to mark position, then mark and cut to passage from above ceiling (around nail) (Figure 20). Then plumb from ceiling or roof level directly above hole which has just been completed.



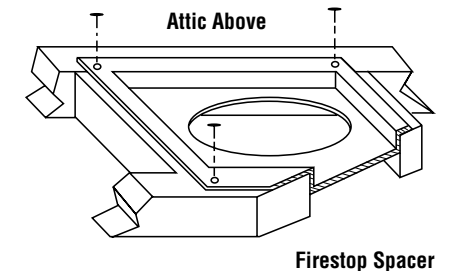
**Figure 20**

**Step 3.** Position appropriate firestop spacer at ceiling and nail temporarily with two (2) 8d nails. Use flat firestop spacer, Model F10FS-2, if chimney penetrates ceiling vertically. If chimney penetrates ceiling at 30° angle (offset chimney), use 30° firestop spacer, Model F10FS30-2 (refer to page 14 and Figures 42 and 43). Use one nail on opposite sides to hold firestop spacer in position. Nail permanently, using at least two (2) more 8d nails, after chimney sections have been assembled through the firestop spacer and after any necessary adjustments have been made. Firestop spacer must be secured by at least four (4) 8d nails when completely installed.

**Note:** If there is a room above ceiling level, firestop spacer must be installed on the bottom side of the ceiling. If an attic is above ceiling level, firestop spacer must be installed on top side of ceiling joist (Figures 21 and 22).



**Figure 21**



**Figure 22**

## For Canada Only

When installing the chimney system through an open attic space, the attic shield assembly-firestop spacer must be used (Figure 23). This installation procedure is Warnock Hersey Inc. listed only for use in Canada.

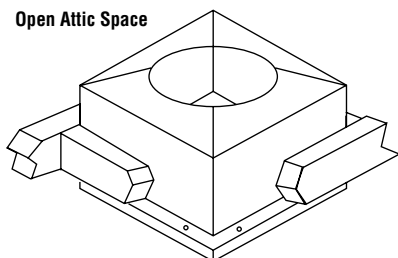


Figure 23

**Step 4. Note:** Chimney sections are constructed with a unique locking tab design, which ensures an immediate, tight assembly between sections. Plan your chimney requirements carefully before assembly as chimney is difficult to disassemble after installation. If disassembled, the tabs might become damaged. Be certain tabs are properly formed to ensure locking tabs engage properly.

Security Chimneys FTF10 chimney system is a two piece chimney, which snap together from the fireplace up. Start with the inner flue section with the lanced end up, snap lock it in to the matching collar on top of the fireplace. At all subsequent joints, the upper flue section fits into the preceding flue section. Each piece snaps together by means of locking tabs (9 locking tabs per joint). Check each piece by pulling up slightly from the top to ensure proper engagement before installing the next section. If the flue has been installed correctly, it will not separate when you test it. Also, the inner flue joint where each section is joined should be tight and flat without gaps (Figure 24).

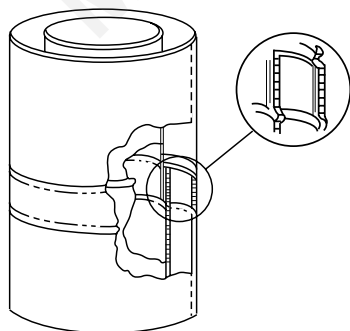


Figure 24

Outer pipe section installs in just the opposite way; the lanced end goes down and each new section goes OVER the outside of the previous section installed (Figure 25).

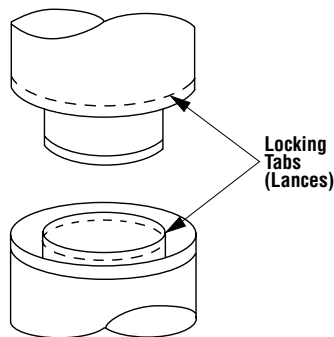


Figure 25

**Note:** Assemble one component of chimney at a time (inner section first, then outer section last) before proceeding with the next complete section.

Continue to assemble the chimney up through framed opening. Assemble just enough to penetrate the roof flashing openings (Figure 26). Always maintain 2" minimum air space to combustible materials and always check each chimney joint (inner and outer) to ensure proper engagement. Check vertical alignment of chimney so that it projects from the roof in true vertical position.

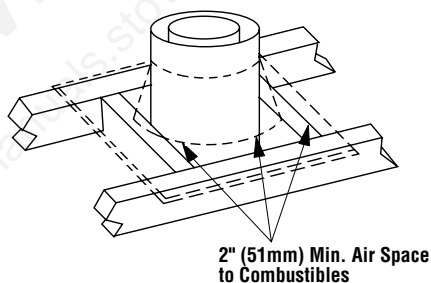


Figure 26

Security's chimney sections do not need to be screwed together. Additional reinforcement is not necessary except in certain offset conditions (refer to page 12, Figure 38).

**Step 5.** The height of vertical chimney pipe supported only by the fireplace must not exceed 30'. Chimney heights above 30' must be supported by a Model FTF10-S4 stabilizer installed at 30' intervals.

**Note:** The Model FTF10-S4 adds 3" net effective height to the total chimney system.

Install the Model FTF10-S4 stabilizer by fitting inner section down into respective section of proceeding flue pipe and locking outer stabilizer section into place over the outer chimney pipe. Position for proper clearance through framed opening and nail straps securely (under tension in "shear") into place on framing. Use 8d nails. Attach successive lengths of chimney pipe directly to stabilizer using same techniques as described in Step 4 (Figure 27).

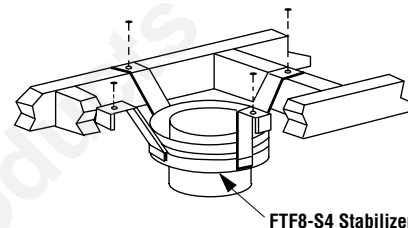


Figure 27

**Note:** Do not apply excessive pressure to any subsequent chimney sections following the stabilizer when installing. Ensure each subsequent chimney section is securely attached by testing as noted in Step 4.

**Step 6.** Select the proper Security Chimneys roof flashing based on pitch of roof. Use chart below for selection:

Roof Pitch	Model
Flat to 6/12	F10F6
6/12 to 12/12	F10F12

Next, slide roof flashing over extended chimney section that previously has been installed above the roof opening in Step 4. FTF10 flashings require flashing spacers. Slide flashing all the way down until the flashing base rests flat on the roof (Figure 28). Again, check the vertical position of the chimney and the 2" minimum air space to combustibles.

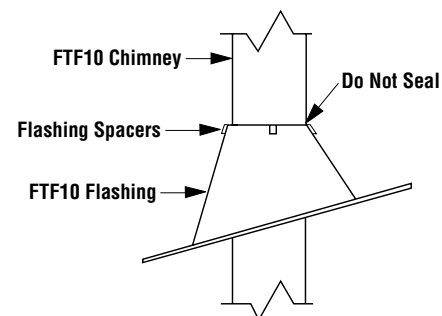
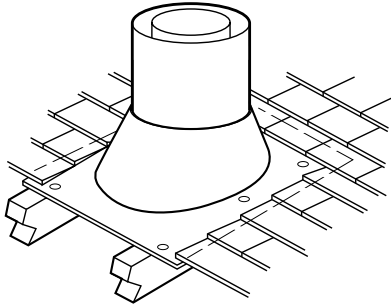


Figure 28

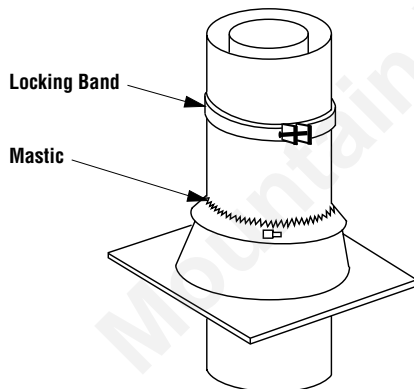
**Note:** Do not caulk or seal the ventilating openings.

**Step 7.** Secure flashing by nailing along the perimeter into roof using 8d nails. If shingled roof, slide upper end and sides of roof flashing under shingles (trim if necessary), seal the top and both sides of the flashing to the roof with roof caulking. Cover nail heads with roof caulking (Figure 29).



**Figure 29**

**Step 8.** The standard Security Chimneys FTF10 roof flashing assemblies include a storm collar. Slide the storm collar over outer chimney, rest on flashing spacers and align with top surface of flashing. Insert tab in slot, pull tight and bend tab back over slot. Seal storm collar to outer chimney with roof caulking or mastic around entire circumference of pipe. Also add extra roof caulking to the tab/slot area to seal completely against water penetration (Figure 30). Check all joints very carefully to ensure no water intrusion can take place.

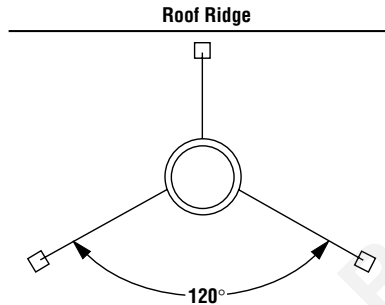


**Figure 30**

**Step 9.** Security Chimneys locking bands, Model FLB, may be required if the chimney extends too high above the roof flashing. As a general rule, if the chimney extends more than 6' above the roof flashing, the use of locking bands is advisable to strengthen the chimney assembly. Align the locking band at the chimney joint. Locking bands wrap around pipe joints equally covering the joints of both pipe sections.

Use the nut provided and TIGHTEN snugly. Do not overtighten as this might damage the chimney section (refer to Figure 30).

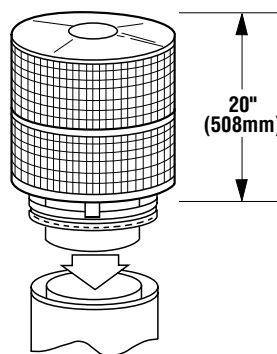
**Note:** If chimney extends more than 8' above roof surface, guy wires are also recommended. Use three (3) guy wires, attach to locking band assembly, extend and secure to roof in a triangular pattern (Figure 31). Guy wires are not supplied by the manufacturer.



**Figure 31**

**Step 10. Using the FTF10-CTDTM Round Termination:**

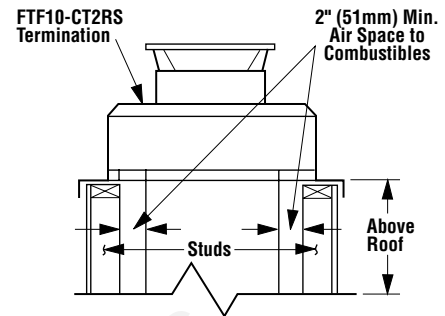
1. Hold CTDTM over top of last chimney section (Figure 32).
2. Center inner slip section in inner flue pipe-slip down.
3. Center outer locking section over outer flue pipe. Push down until locking tabs are firmly engaged.
4. Pull up slightly on CTDTM to ensure locking joint has firmly engaged.



**Figure 32**

**Using a CT2 Chase Termination**

Refer to specific installation instruction included with the CT2 chase termination for clearance statements and installation details.



**Figure 33**

**Note:** It is recommended that all exterior exposed related metal fireplace components; such as terminations, flashings, storm collars and/or flue be painted with a premium-quality, high-temperature, rust-preventative paint designed for metal. This is especially important when installations are made in abnormally adverse or corrosive environments; such as near lakes, oceans or in areas with consistently high-humidity conditions. Consult the paint manufacturer's instructions for proper preparation and application.

For Canadian installations, all chimney installed outside the building must be galvalume (outer sections only), effective January 1, 1992. The appropriate model designations (with a "C" suffix) are located in the back of this manual.

### TEN-FOOT RULE SUMMARY

The minimum chimney height above the roof and/or to adjacent walls and buildings is specified by all major building codes.

If the horizontal distance from the peak of the roof is less than 10' (3 m), the top of the chimney must be at least 2' (610 mm) above the peak of the roof.

If the horizontal distance from the chimney edge to the peak of the roof is more than 10' (3 m), a chimney height reference point is established on the roof surface 10' (3 m) horizontally from the chimney edge. The top of the chimney must be at least 2' (610 mm) above this reference point. In all cases, the chimney cannot be less than 3' (914 mm) above the roof at the edge of the chimney.

The 2' in 10' rule is necessary in the interest of safety, but does not ensure smoke-free operation. Trees, buildings, adjoining roof lines, adverse wind conditions, etc., may require a taller chimney should the fireplace not draft properly (see Figure 35).

## MULTIPLE TERMINATIONS

If more than one termination is located in the same chase or within the same general proximity, we suggest they should be separated in distance at least 24" (610 mm) horizontally from flue center to flue center and stacked or staggered vertically at least 18" (457 mm) apart, from the termination of one smoke exit to the termination of another smoke exit (Figure 34).

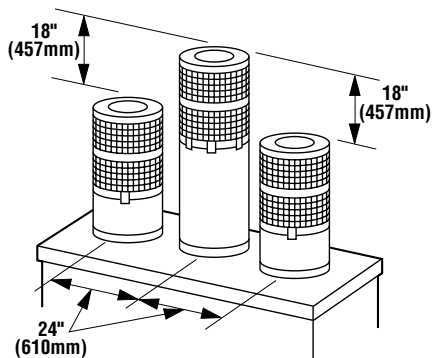


Figure 34

This suggestion is provided in the interest of better operation. If the terminations are located too close to each other, smoke may migrate from one flue into the other.

## FTF10 CHIMNEY COMPONENT CALCULATIONS

The minimum installed height of the completed fireplace system is 16'0" (4.8 m). The maximum system height is 80'0" (24.38 m).

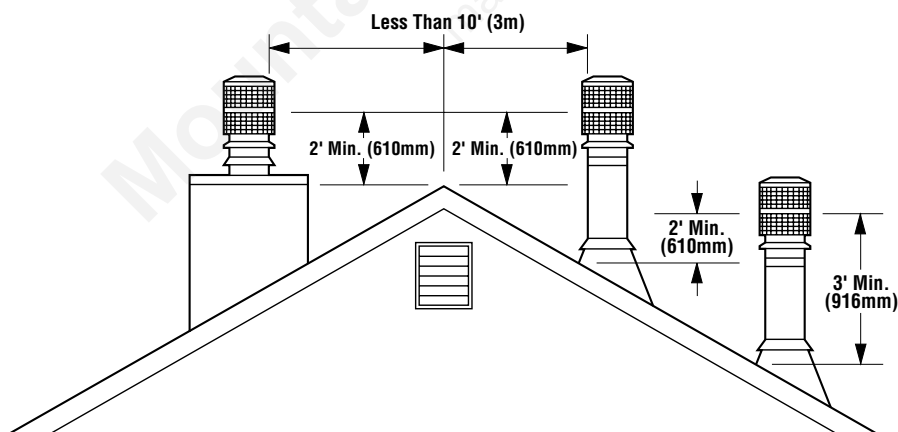


Figure 35

To determine the number of chimney sections and chimney components required, follow these steps:

1. Determine total vertical height of the fireplace installation. This dimension is the distance from the surface the fireplace sets on to the point where smoke exits from the termination.

2. Determine the number of chimney components required, except chimney sections. This would include firestop spacers, stabilizers, roof flashing, etc.

3. The effective heights of the components are:

The Fireplaces	=	65 ¼" (1657 mm)
FTF10-12	=	10 ¼" (260 mm)
FTF10-18	=	16 ¼" (413 mm)
FTF10-36	=	34 ¼" (870 mm)
CTDTM Termination	=	10" (254 mm)
CT2 Termination	=	15" to 23" (381–584 mm)
S4 Stabilizer *	=	3" (76 mm)*

\* Required for every 30' (9.1 m) of vertical chimney and/or 10' of offset chimney.

4. Determine amount of chimney height required by subtracting total combined height of all pre-selected components (fireplace and chimney components from total desired height).

Reference Vertical Elevation Chart and determine the number of chimney sections (quantity and length) required.

## SPECIAL OFFSET INSTRUCTIONS

To clear any overhead obstructions, you may offset your chimney system using Security's 30° offset and return elbows. Use two elbows - an offset elbow to initiate the offset and a return elbow to terminate it. A 30° offset elbow, angling in any direction, may be the first component used off the top of the fireplace flue collar.

The offset and return elbows may be attached together, or a section or sections of chimney may be used between, but must not exceed 20' (6.1 m) in total length between elbows (Figure 36). If sections of pipe exceed 10' (3 m) between elbows, a chimney stabilizer must be used at the midpoint. The stabilizer support straps must be attached under tension (in shear) to structural framing members above. When two sets of elbows are used, the maximum combined length of chimney used between elbows cannot exceed 20' (6.1 m) (Figure 37). **Example:** If C<sub>1</sub> = 10' (3 m) then C<sub>2</sub> cannot exceed 10' (3 m).

If an offset exceeds 6' (1.8 m) in length, each chimney joint beyond the first 6' (1.8 m) of offset to the return elbow, must be secured by a No. 8 x ½" sheet metal screw located at the underside of the joint (Figure 38).

A ⅛" (13 mm) diameter hole must be drilled in the chimney joint using a ⅛" (13 mm) diameter drill. Hole should be drilled in center of joint overlap (Figure 39). Be sure to drill only through the outer chimney casting. Do not puncture the inner flue.

Maximum offset of chimney system is 30°. Two offsets must not be assembled to form a 60° offset. However, two sets of offset and return elbows may be used on a single flue system, provided the total height of the system exceeds 22' (6.7 m) (Figure 42).

Return elbow support straps must be securely attached under tension (in shear) to structural framing members above. Do not substitute a FTF10-30 offset elbow in place of a FTF10-E30 return elbow.

## OFFSET CALCULATIONS

**Step 1.** Use Offset Chart to determine amount of horizontal offset (A) and height (B) for various chimney section assemblies.

**Step 2.** Use "Height of Chimney Only" column in The Vertical Elevation Chart to determine combinations of chimney used above return elbow to achieve desired heights. Reference Components Effective Height Chart in vertical elevation chart section.

**Step 3.** Use Elevation Chart as job estimator only. Add necessary firestop spacers and stabilizers as required. Firestop spacers must be used as shown in Figures 21 and 22 and stabilizers as shown in Figure 27.

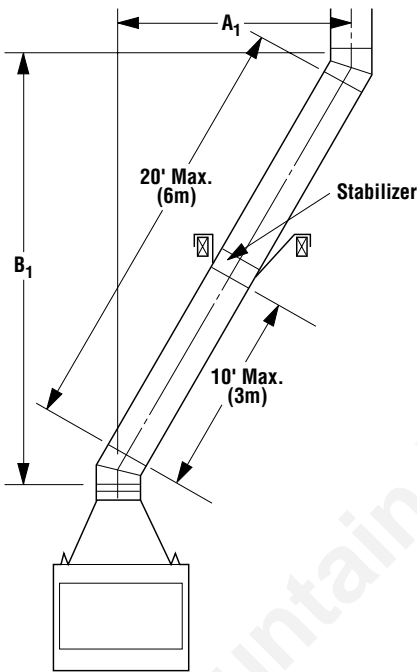


Figure 36

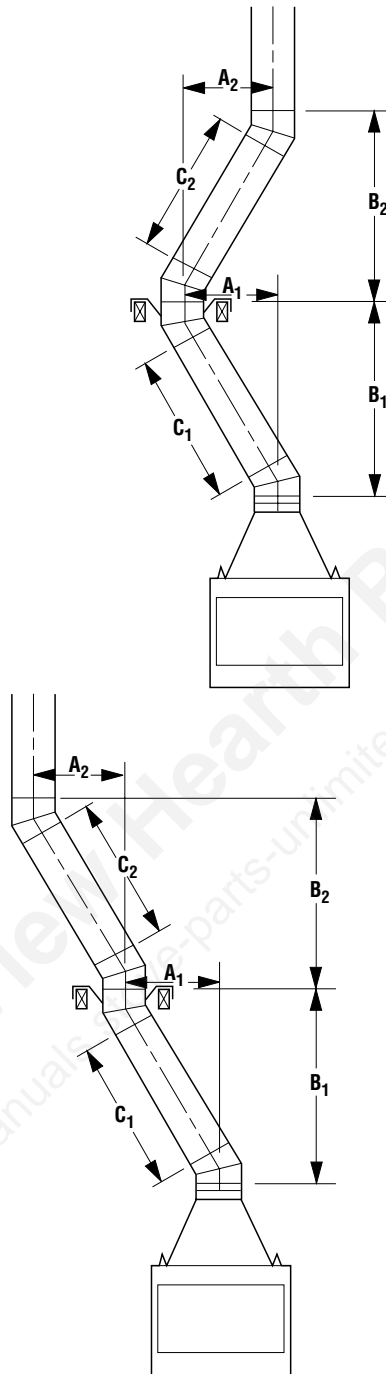


Figure 37

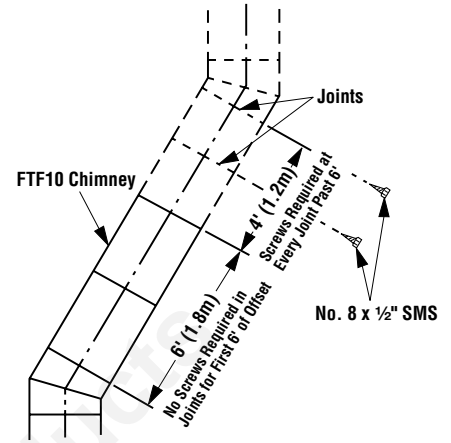


Figure 38

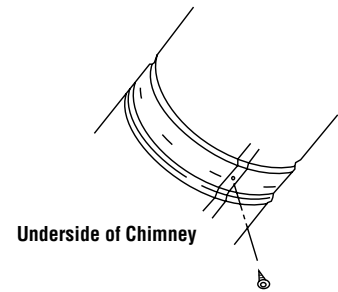
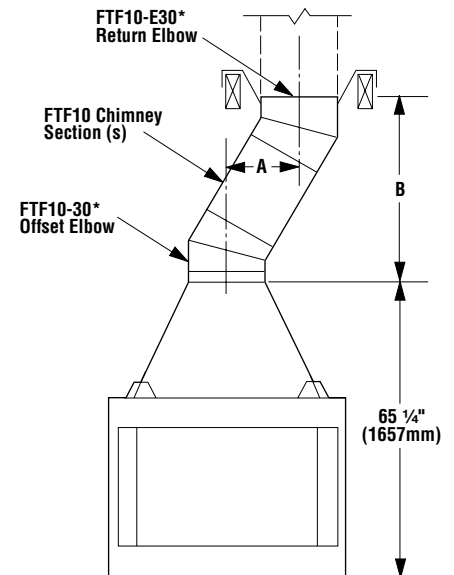


Figure 39



\* Part of Offset/Return Package, Model FTF10-ES30

Figure 40

## FTF10 VERTICAL ELEVATION CHART

Height Of Chimney Only		Number Of FTF10 Chimney Lengths			Height Of Chimney Only		Number Of FTF10 Chimney Lengths			Height Of Chimney Only		Number Of FTF10 Chimney Lengths			Height Of Chimney Only		Number Of FTF10 Chimney Lengths		
Inches	Feet/Inches	12"	18"	36"	Inches	Feet/Inches	12"	18"	36"	Inches	Feet/Inches	12"	18"	36"	Inches	Feet/Inches	12"	18"	36"
11	0 11	1	0	0	123 3/4	10 3 3/4	2	0	3	260 1/2	21 8 1/2	2	0	7	397 1/4	33 1 1/4	2	0	11
17	1 5	0	1	0	129 3/4	10 9 3/4	1	1	3	266 1/2	22 2 1/2	1	1	7	403 1/4	33 7 1/4	1	1	11
21 1/4	1 9 1/4	2	0	0	137 1/2	11 5 1/2	0	0	4	274 1/4	22 10 1/4	0	0	8	411	34 3	0	0	12
27 1/4	2 3 1/4	1	1	0	147 3/4	12 3 3/4	1	0	4	284 1/2	23 8 1/2	1	0	8	421 1/4	35 1 1/4	1	0	12
33 1/4	2 9 1/4	0	2	0	153 3/4	12 9 3/4	0	1	4	290 1/2	24 2 1/2	0	1	8	427 1/4	35 7 1/4	0	1	12
35	2 11	0	0	1	158	13 2	2	0	4	294 3/4	24 6 3/4	2	0	8	431 1/2	35 11 1/2	2	0	12
37 1/4	3 1 1/4	2	1	0	164	13 8	1	1	4	300 3/4	25 0 3/4	1	1	8	437 1/2	36 5 1/2	1	1	12
43 1/4	3 7 1/4	1	2	0	171 3/4	14 3 3/4	0	0	5	308 1/2	25 8 1/2	0	0	9	445 1/4	37 1 1/4	0	0	13
51 1/4	4 3 1/4	0	1	1	182	15 2	1	0	5	318 3/4	26 8 3/4	1	0	9	455 1/2	37 11 1/2	1	0	13
55 1/4	4 7 1/4	2	0	1	188	15 8	0	1	5	324 3/4	27 0 3/4	0	1	9	461 1/2	38 5 1/2	0	1	13
61 1/4	5 1 1/4	1	1	1	192	16 0	2	0	5	328 3/4	27 4 3/4	2	0	9	465 1/2	38 9 1/2	2	0	13
67 1/4	5 7 1/4	0	2	1	198	16 6	1	1	5	334 3/4	27 10 3/4	1	1	9	471 1/2	39 3 1/2	1	1	13
69 1/4	5 9 1/4	0	0	2	206	17 2	0	0	6	342 3/4	28 6 3/4	0	0	10	479 1/2	39 11 1/2	0	0	14
79 1/4	6 7 1/4	1	0	2	215 3/4	17 11 3/4	1	0	6	352 3/4	29 4 3/4	1	0	10	489 1/2	40 9 1/2	1	0	14
85 1/4	7 1 1/4	0	1	2	222	18 6	0	1	6	358 3/4	29 10 3/4	0	1	10	495 1/2	41 3 1/2	0	1	14
89 1/2	7 5 1/2	2	0	2	226 1/4	18 10 1/4	2	0	6	363	30 3	2	0	10	499 3/4	41 7 3/4	2	0	14
95 1/2	7 11 1/2	1	1	2	232 1/4	19 4 1/4	1	1	6	369	30 9	1	1	10	505 3/4	42 1 3/4	1	1	14
103 1/4	8 7 1/4	0	0	3	240	20 0	0	0	7	376 3/4	31 4 3/4	0	0	11	513 1/2	42 9 1/2	0	0	15
113 1/2	9 5 1/2	1	0	3	250 1/4	20 10 1/4	1	0	7	387	32 3	1	0	11	523 3/4	43 7 3/4	1	0	15
119 1/2	9 11 1/2	0	1	3	256 1/4	21 4 1/4	0	1	7	393	32 9	0	1	11	529 3/4	44 1 3/4	0	1	15

## FTF10 OFFSET ELEVATION CHART

A Offset (Inches)	B Height (Inches)	FTF10-ES30 Offset/Return Elbow Set	FTF10-S4 Stabilizer	Number of FTF10 Chimney Sections			A Offset (mm)	B Height (mm)	A Offset (Inches)	B Height (Inches)	FTF10-ES30 Offset/Return Elbow Set	FTF10-S4 Stabilizer	Number of FTF10 Chimney Sections			A Offset (mm)	B Height (mm)
				12"	18"	36"							12"	18"	36"		
4	15 3/4	1	0	0	0	0	102	400	44 1/2	85 3/4	1	0	3	1	1	1130	2178
9	24 1/2	1	0	1	0	0	229	622	45 1/4	87 1/2	1	0	0	3	1	1149	2223
12	29 3/4	1	0	0	0	1	305	756	46 1/4	89	1	0	0	1	2	1175	2261
14 1/4	33 1/2	1	0	2	0	0	362	851	48 1/4	91 1/2	1	0	2	0	2	1226	2324
17 1/4	38 1/2	1	0	1	1	0	438	978	49 1/2	94 1/2	1	0	1	5	0	1257	2400
20 1/4	43 3/4	1	0	0	2	0	514	1111	51 1/4	97 3/4	1	0	1	1	2	1302	2483
21	45 1/4	1	0	0	0	1	533	1149	54 1/4	103	1	0	0	2	2	1378	2616
22 1/4	47 1/2	1	0	2	1	0	565	1207	55 1/4	104 1/2	1	0	0	0	3	1403	2654
25 1/4	52 1/2	1	0	1	2	0	641	1334	56 1/2	106 1/2	1	0	2	1	2	1435	2705
26 1/4	54 1/4	1	0	1	0	1	667	1378	59 1/2	111 3/4	1	0	1	2	2	1511	2838
28 1/4	57 3/4	1	0	0	3	0	718	1467	62 1/2	116 3/4	1	1	1	0	3	1588	2965
29 1/4	59 1/4	1	0	0	1	1	743	1505	65 3/4	122	1	1	0	1	3	1664	3099
31 1/4	63	1	0	2	0	1	794	1600	67 3/4	125 1/2	1	1	2	0	3	1721	3188
32 1/2	65	1	0	4	1	0	826	1651	69 3/4	128 1/2	1	1	1	3	2	1772	3264
34 1/4	68 1/4	1	0	1	1	1	870	1734	70 3/4	130 3/4	1	1	1	1	3	1797	3321
36 1/4	71 3/4	1	0	3	0	1	921	1822	73 3/4	136	1	1	0	2	3	1873	3454
37 1/4	73 1/4	1	0	0	2	1	946	1861	75 3/4	139 1/2	1	1	2	1	3	1924	3543
38 1/4	75	1	0	0	0	2	972	1905	79 3/4	146 1/4	1	1	1	0	4	2026	3715
39 1/4	77	1	0	2	1	1	997	1956	81	148 1/4	1	1	3	1	3	2057	3766
41 1/2	80 1/2	1	0	1	4	0	1054	2045	82 3/4	151 1/2	1	1	0	1	4	2102	3848
43 1/4	83 3/4	1	0	1	0	2	1099	2127	87 3/4	160 1/4	1	1	1	1	4	2229	4070

## INSTALLING OFFSETS

First, review the Offset Elevation Chart and Figure 40 for reference.

**Step 1.** Determine the offset distance where chimney is to pass through the first ceiling-dimension "A." To find this point on your ceiling, first determine the center point for a vertical chimney following the instructions for vertical installation.

Measure height to the ceiling from the top of fireplace-dimension "B." Use the appropriate Offset Elevation Chart to find dimension "A." Mark point where you will drive your nail to show the center point for your offset ceiling cut.

**Step 2.** Proceed by using the Straight Up Installation Instructions for cutting and framing ceiling and roof openings.

**Note:** See Framing and Dimension Chart for the sizes of the ceiling and roof openings. The size of the roof opening varies with the degree of pitch of the roof.

### Offset Elbow Assembly

Offset elbows install the same as chimney sections. First, snap the inner section INTO the preceding inner section of flue. Check connection by pulling up slightly to ensure a tight fit. Next, the outer sections snap lock OVER the preceding outer section of chimney. Again, check outer section by pulling up slightly to ensure proper connection is made.

### Return Elbow Assembly

Return elbows install the same way as round terminations and stabilizers:

**Step 1.** Hold return elbow over top of last chimney section.

**Step 2.** Center inner slip section into inner flue pipe-slip down.

**Step 3.** Center outer-locking section over outer chimney pipe. Push down until locking joint has firmly engaged.

**Step 4.** Pull up slightly on return elbow to ensure locking joint has firmly engaged.

**Step 5.** Secure support straps to framing members by nailing under tension in sheer (Figure 41).

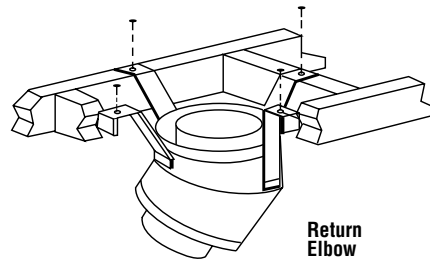


Figure 41

**Note:** The return elbow assembly performs the same function as a stabilizer. Consider this when determining the need for a stabilizer.

**Note:** Do not apply excessive pressure to any subsequent chimney section following return elbow assembly when installing. Ensure that each subsequent chimney section is securely attached by testing as noted above.

## CHIMNEY 30° OFFSET THROUGH FLOOR OR CEILING

It may be necessary to assemble the chimney at 30° when passing through the floor or ceiling area. Use the F10FS30-2 firestop spacer as shown in Figures 42 and 43. Support the chimney at floor or ceiling penetration with a FTF10-S4 stabilizer if distance of chimney below ceiling is 10' or more. Maintain 2" minimum air space to combustibles from chimney sections.

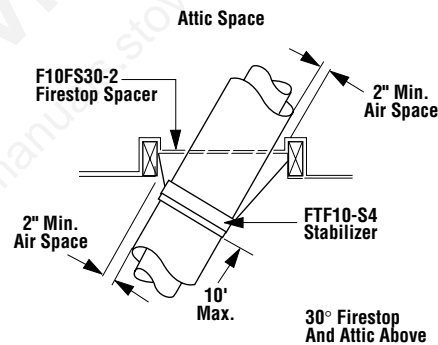


Figure 42

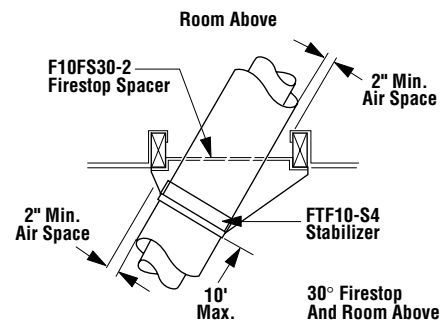


Figure 43

NOTE: DIAGRAMS & ILLUSTRATIONS NOT TO SCALE.

## OPTIONAL EQUIPMENT CONSIDERATIONS

### Combustion Air Kits

Use combustion air kit, Model F0AK-4 or Model F0AK-4LD, with the Colonial Series fireplaces. Refer to installation instructions packed with the air kit for specific installation information. The outside air kit must be installed before the fireplace is framed and enclosed in the finished walls.

Outside air drawn into the fireplace supplies air to the fire for combustion. Only one combustion air duct on the left side of the fireplace is necessary if installed (Figure 44).

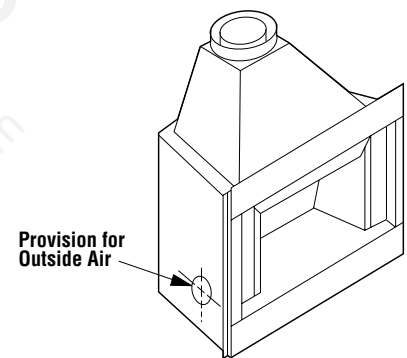


Figure 44

If additional length of duct is necessary, purchase locally available U.L. Class 0 or Class 1 metallic duct. The duct may extend up to 50' (15.24 m) in any direction.

**Note:** When installing the air duct vertically, DO NOT terminate the duct closer than 3' (914mm) below the chimney top.

There is a one-hand operated shut-off valve located in the left side of the fireplace opening behind the screen. To open, rotate handle upwards. The handle should lock open at 45°. The combustion air damper should be fully open when the fireplace is in use and fully closed when the fireplace is not in operation to prevent outside air from entering your home.

**CAUTION: NEVER LOCATE INLET WHERE IT CAN BE BLOCKED BY SHRUBS, SNOW DRIFTS, ETC. NEVER LOCATE INLET IN GARAGE OR ANY AREA WHERE THERE IS ANOTHER FUEL-BURNING APPLIANCE OR PRODUCTS EMITTING COMBUSTIBLE GASES SUCH AS PAINT, GASOLINE, ETC. IN COLD CLIMATES IT IS RECOMMENDED THE COMBUSTION AIR DUCT BE INSULATED.**

Outside combustion air ducting may be run upwards or vertically through framing and ceiling joists, with the hood installed through an outside wall and 3' (914 mm) below the termination. Ducting may also be run downward through floor joists and under the home to a ventilated crawlspace not considered part of the living area of the home.

**Note:** Do not terminate combustion air kit in attic space under any circumstances.

### FTF10-TMS Termination Shroud

An optional termination shroud is available to partially conceal the FTF10-CTDTM when installed on a chase. Model FTF10-TMS is adjustable for chases measuring a minimum of 27" x 27" (686 mm x 686 mm) up to a maximum of 40 1/2" x 40 1/2" (1029 mm x 1029 mm). Consult the FTF10-TMS installation instruction for specific installation information.

### Glass Doors

If glass doors are to be installed on these fireplaces, refer to specific installation instructions packed with the glass doors. Use only the doors that are listed for use with these fireplaces. Use of other non-listed glass door on these fireplaces may constitute a potential fire hazard and is not recommended.

**CAUTION: CERTAIN GLASS DOORS OVERLAP THE BLACK METAL FACING OF THE FIREPLACE. IF THE FIREPLACE HAS BEEN FACED WITH NONCOMBUSTIBLE MATERIALS, THERE MIGHT NOT BE SUFFICIENT CLEARANCE TO INSTALL THE GLASS DOORS OF YOUR CHOICE. ENSURE ADEQUATE CLEARANCE IS MAINTAINED AT ALL TIMES SO AS NOT TO INTERFERE WITH THE INSTALLATION AND OPERATION OF GLASS DOORS.**

### GAS LINE CONNECTION

The Colonial Series fireplaces have been approved to accept a 1/2" (13 mm) gas line for an approved gas appliance. Always have the appliance installed by a qualified, licensed plumber in accordance with all local building codes. The gas line may enter either side of the fireplace.

**CAUTION: PLUMBING CONNECTIONS SHOULD ONLY BE PERFORMED BY A QUALIFIED, LICENSED PLUMBER. MAIN GAS SUPPLY MUST BE OFF WHEN PLUMBING GAS LINE TO FIREPLACE OR PERFORMING SERVICE.**

If you're installing a gas line, connect it before the fireplace is framed and enclosed in the finished wall. The gas knockout is determined by a 1 1/8" (29 mm) round indentation located at the bottom and slightly off center in the side refractories.

**THE KNOCKOUT IS ALWAYS REMOVED FROM INSIDE THE FIREPLACE. DO NOT REMOVE THE KNOCKOUT UNLESS YOU ARE INSTALLING A GAS LINE.** If removal is attempted from the outer wrapper, side-refractory damage may occur. With a medium-sized hammer, lightly tap the surface of the indentation. The refractory material is very thin in this area and is easily removed. Once a small hole has been made, continue tapping until you have reached sufficient diameter for the gas line to fit through. The entire knockout does not have to be removed. Remove insulation in the gas line channel.

Install a 1/2" (13 mm) gas supply line through fireplace wall for connection to a decorative gas appliance inside the firebox. Outside, the gas supply line connects to a gas shut-off valve recessed flush into the wall or floor. The valve should be controlled by a removable valve key for safety.

Always plumb gas line installation per local codes. Check all connections with soap suds; leaks will bubble. Never test any gas line connection with a match or open flame.

**IMPORTANT: RE-PACK INSULATION MATERIAL IN SQUARE HOLE AROUND GAS LINE; INTERIOR AND EXTERIOR, TO SEAL.**

This provision is intended only for connection to a decorative gas appliance incorporating an automatic shut-off device and complying with the standard for Decorative Gas Appliances for installation in vented fireplaces, ANSI Z21.60. Install in accordance with the National Fuel Gas Code, ANSI Z223.1. This complies with the revised U.L. 127 standard.

**CAUTION: WHEN USING THE DECORATIVE GAS APPLIANCE, THE FIREPLACE DAMPER MUST BE SET IN THE FULLY OPEN POSITION.**

### Vent Free Appliances

These units have been tested and approved to ANSI/IAS/AGA Z21.11.2 for use with unvented gas appliances and complies with the standard for Factory-Built fireplaces, UL 127.

The unit has been tested for use with any unvented gas log sets having a maximum rating of 40,000 BTU. The minimum mantle configurations are outlined in *Figures 45 and 46*.

These fireplaces have been marked with a maximum rating of 40,000 BTU to assure that homeowners do not exceed the allowable limits for all allowed installations of mantles.

**NEVER INSTALL AN UNVENTED GAS LOG SET WITH A BTU GREATER THAN 40,000.**

### COLD CLIMATE INSULATION

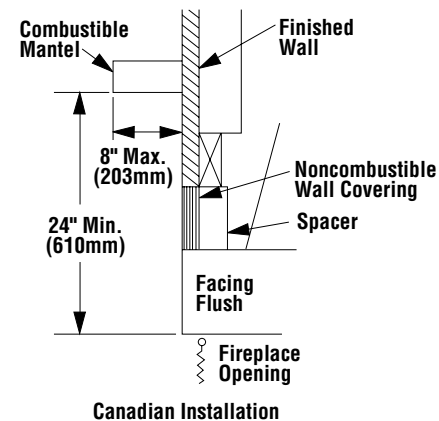
If you live in a cold climate, it is especially important to seal all cracks around the fireplace opening with noncombustible material and wherever cold air could enter the room. Surrounding materials must be caulked where it meets the black metal facing of the fireplace to avoid cold air intrusion. Use noncombustible caulking material only on fireplace facing to seal. Also, the outside air inlet duct should be wrapped with noncombustible insulation to minimize the formation of condensation. Do not place insulation materials against chimney sections.

**Note:** A 2" (51 mm) air space must be preserved for all combustible materials extending for any continuous length adjacent to the chimney.

It is especially important to insulate between the studs of an outside chase cavity and under the floor if the floor is above ground level. Do not place insulation directly against the fireplace or chimney system

### FIREPLACE FINISHES Mantels and Trim

In Canada, the minimum height for a combustible mantle is 24" (610 mm) above the fireplace opening. *Figure 45* shows typical Canadian installation. In installations other than Canada, combustible mantels and trim may be installed 12" (305 mm) above the fireplace opening as per NFPA 211; Section 7-2.3.3. and *Figure 46*. If a mantle is of a noncombustible material, it is exempt from these requirements as long as it does not interfere with the installation or operation of glass doors.



**Figure 45**

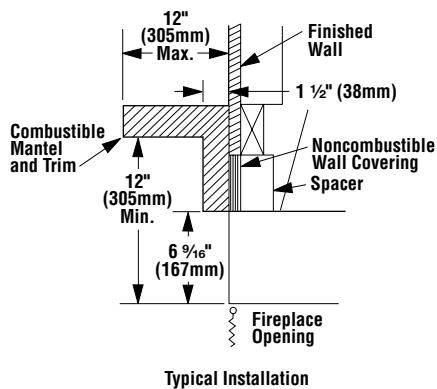


Figure 46

### Hearth Extensions and Wall Shields

A hearth extension must be installed with all fireplaces. It is to protect the combustible floor in front of the fireplace from both radiant heat and sparks. The hearth extension must extend beyond the front at least 20" (508 mm) and both sides at least 12" (305 mm) (Figure 47). Use a hearth extension constructed of a durable noncombustible material having an equal or better (lower k value) insulating value of  $k = .84$  BTU IN/FT<sup>2</sup> HR °F or a thermal resistance that equals or exceeds  $r = 1.19$  HR °F FT<sup>2</sup>/BTU IN. With these values, determine the minimum thickness/material required using the formula and Page 17.

**Note:** Any noncombustible material whose k value is less than .84 or whose r value is more than 1.19 is acceptable.

If the fireplace is installed on a combustible floor, use the metal safety strips (provided) on the floor extending half under the fireplace and half under the hearth extension.

A wall shield is required where a continuous perpendicular side wall is within 12" of the fireplace opening (Figure 48). Use a 36" W x 36" H wall shield constructed of a durable, noncombustible material having an equal or better (lower k value) insulating value than  $k = .54$  BTU IN/FT<sup>2</sup> HR °F. At no time may a perpendicular side wall be located closer than 9" from the fireplace opening.

If fireplace is installed diagonally across a 90° corner; no wall shields are required.

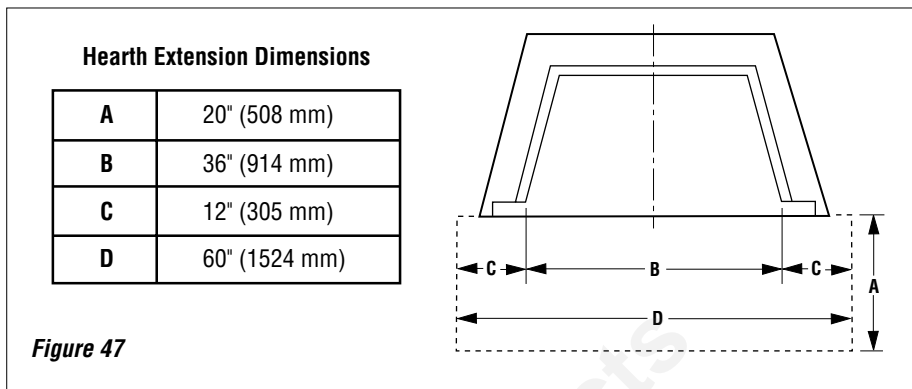


Figure 47

### Hearth Extension Dimensions

A	20" (508 mm)
B	36" (914 mm)
C	12" (305 mm)
D	60" (1524 mm)

### Methods of Determining Hearth Extension and Wall Shield

**Equivalents** - To determine the thickness required for the alternate material when either the "k" value or "r" value is known, use either the **k formula** or **r formula**.

**Example:** If Micore 160 is to be used for the hearth extension fireplace, how thick must this material be?

- $k_m$  = k value per inch of **alternate** material
- $r_m$  = r value per inch of **alternate** material
- $T_m$  = minimum thickness required for **alternate** material
- $T_s$  = standard thickness of the **alternate** material

- $k_L$  = k value per inch of **listed** material
- $r_L$  = r value per inch of **listed** material
- $T_L$  = minimum thickness of **listed** material

**Note:** An asterisk "\*" indicates, it is a value taken from **Table 1**.  
Using the **k formula**:

Minimum thickness of alternate material ( $T_m$ )	=	k-value (per Inch) of alternate material ( $k_m$ ) x k-value (per inch) of listed material ( $k_L$ )	x	Specified min. thickness of listed material ( $T_L$ )
$T_m$ (inches)	=	$\frac{k_L}{*.84}$	x	$T_L$
$T_m$ (inches)	=	$\frac{*.35}{*.84}$	x	1"
<b>.416 (inches)</b>	=	<b>.416</b>	x	<b>1"</b>

**Answer - The minimum required thickness of the Micore 160 is .417", therefore round up to nearest standard thickness available which is 1/2".**

Using the **r formula**:

Minimum thickness of alternate material	=	r-value (per Inch) of listed material x r-value (per inch) of alternate material	x	Specified min. thickness of listed material
$T_m$ (inches)	=	$\frac{r_L}{r_m}$	x	$T_L$
$T_m$ (inches)	=	$\frac{*1.19}{*2.86}$	x	1"
<b>.416 (inches)</b>	=	<b>.416</b>	x	<b>1"</b>

NOTE: DIAGRAMS & ILLUSTRATIONS NOT TO SCALE.

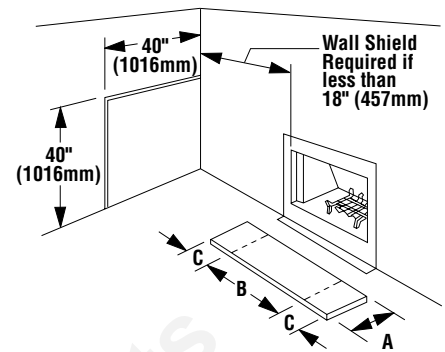
**Answer - The minimum required thickness of the Micore 160 is .417", therefore round up to nearest standard thickness available which is 1/2".**

Listed Material			
	k (per inch) $K_L$	r (per inch) $r_L$	Listed Min. Thickness $T_L$
Listed Material	.84 $K_L$	1.19 $r_L$	1" $T_L$
<b>** Approved Alternate Materials for Floor/Hearth Protection</b>			
Alternative Materials	Thermal Values		Minimum Thickness (rounded to nearest 1/8 inch)
	k (per inch) $K_M$	r (per inch) $r_M$	Min. Thickness $T_M$
Kaowool M Board	.47	2.13	.56" (1/2")
Micore 160™ U.S. Gypsum	.35	2.86	.42" (3/8")
Micore 300™ U.S. Gypsum	.46	2.17	.55" (1/2")
Durock™ Cement Board U.S. Gypsum	1.92	.52	2.29" (2-1/4")
Hardibacker™	1.95	.513	2.32" (2-3/8")
Hardibacker 500™	2.30	.435	2.74" (2-3/4")
Cultured Stone Hearth-stone™	2.82	.355	3.36" (3-3/8")
Wonderboard	3.23	.31	3.85" (3-7/8")
Super Firetemp M Johns-Manville	.61	1.64	.73" (3/4")
Super Firetemp L Johns-Manville	.54	1.85	.64" (5/8")
Face brick	9.00	.111	10.71" (10-3/4")
Common brick	5.00	.20	5.95" (6")
Cement mortar	5.00	.20	5.95" (6")
Ceramic tile	12.5	.08	14.88" (14-7/8")
Marble	11	.09	13.10" (13-1/8")

**Table 1**

**\*\* If the hearth extension material(s) that is intended to be used is NOT listed on Table 1, the material can still be used if the material(s) is noncombustible. However, the manufacturer of the material must provide either the listed k-value per inch or r-value per inch with listed thickness so that the minimum thickness required for the hearth can be calculated (per instructions on this Page and/or as specified in the NFI Certification manuals).**

**Note: Also see NFI (National Fireplace Institute) Certification Manuals showing other acceptable calculation methods and acceptable alternate materials which can be used.**



**Figure 48**

### Calculating Minimum Thickness if Multiple Materials are Used

At times it is important to know what combination of materials are acceptable for use as floor protection. The "R values" are used to determine acceptable combinations of materials because "R values" are additive where r and k values are not.

**"R value" = 1/k = "r" x thickness of material used**

**Example:** Given that the required "R value" for a suitable floor protector used must be equal to or greater than:

$$"R" = r_L \times T_L = 1.19 \times 1" = 1.19."$$

If it is desired to elevate a marble hearth extension to a level of 5" or more above the floor surface. What combination of noncombustible materials can be used to accomplish this?

If common brick is used so that the 3 1/2" dimension is the height, "R" for the common brick becomes:

$$"R"_{M} = r_M \times T_S = 0.20 \times 3\ 1/2" = .70$$

Using 1/2" of mortar to set the brick, "R" for the mortar is calculated as follows:

$$"R"_{M} = r_M \times T_S = 0.20 \times 1/2" = .10$$

Next, a 3/4" marble slab set in 1/2" mortar covers the brick, "R" for the marble and mortar becomes:

$$"R"_{M} = r_M \times T_S = 0.05 \times 3/4" = .038$$

$$"R"_{M} = r_M \times T_S = 0.20 \times 1/2" = .10$$

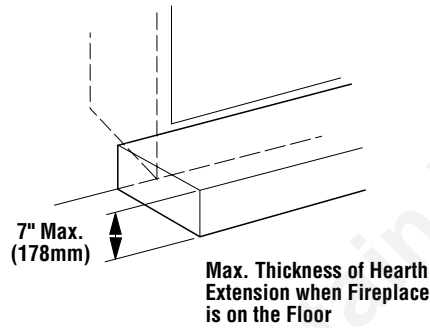
The sum of all "R values" is:  $.70 + .10 + .038 + .10 = .938$

This would NOT be an acceptable combination of material for the hearth extension since the total calculated "R value" of the materials used is under the required "R value" of 1.19. An additional layer of insulating materials must be used.

**Note:** Also see NFI Certification Manuals for expanded explanation on calculating "R values" when multiple materials are used.

**WARNING: THE CRACK BETWEEN THE FIREPLACE AND THE HEARTH EXTENSION MUST BE SEALED WITH A NON-COMBUSTIBLE MATERIAL.**

**WARNING: WHEN INSTALLING HEARTH EXTENSION IN FRONT, THE FIREPLACE MUST BE RAISED IF HEIGHT OF HEARTH EXTENSION EXCEEDS 7" (178 MM) ABOVE THE BOTTOM OF THE FIREPLACE (SEE FIGURE 49).**



**Figure 49**

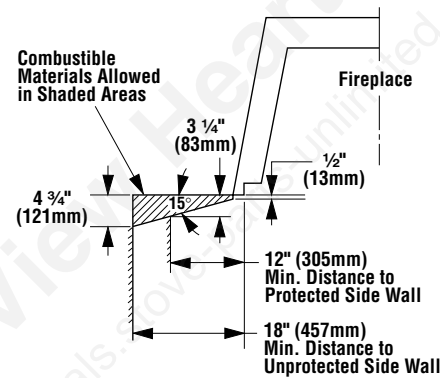
Secure the hearth extension to the floor to prevent possible shifting.

**FINISH TO YOUR TASTE**

There are a wide variety of "finished looks" for these fireplaces, from formal wall decor with elaborate mantels to rustic wood paneling or warm brick facings.

Only noncombustible materials like stone, tile, brick, etc., may overlap the black front facing. Do not extend these materials beyond the black facing and into the firebox area. Be sure not to interfere with the installation and operation of glass doors or block the upper or lower grilles. Seal all joints between the black facing and wall surrounds to prevent air intrusion. Use non-combustible caulking material only to seal the black metal facing to the surround material on the finished wall.

Combustible materials may project beyond the sides of the fireplace opening as long as they are kept within the shaded areas illustrated in Figure 50.



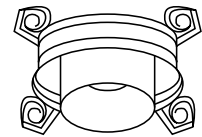
**Figure 50**

**INSTALLATION COMPONENTS**

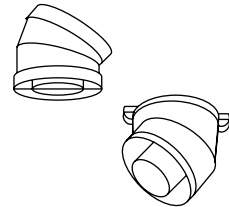
The following items are available for use in the installation of this appliance. Separate installation instructions are packaged with all combustion air kits and chimney terminations.

If you encounter any problems or have questions concerning the installation or application of this system, please contact your distributor. For the name of your nearest distributor call:

**LENNOX HEARTH PRODUCTS**  
**1110 West Taft Avenue**  
**Orange, California 92865**



Stabilizer                      63L26                      FTF10-S4



Offset/ Return Package (30°)                      63L23                      FTF10-ES30



Locking Band                      63L60                      FLB

Model	Part Number	Weight
COL-3629	19M22	450 lbs.
COL-3629H	30M31	450 lbs.

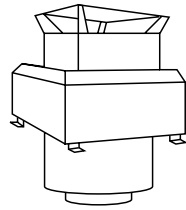
NOTE: DIAGRAMS & ILLUSTRATIONS NOT TO SCALE.

## INSTALLATION COMPONENTS

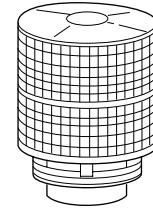


**Chimney Section**  
 63L16  
 63L17  
 63L18  
 62L94  
 62L95

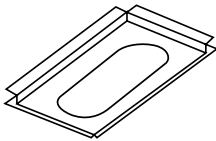
FTF10-12  
 FTF10-18  
 FTF10-36  
 FTF10-18C  
 FTF10-36C



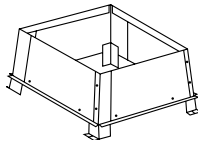
**Chase Termination (Square)**  
 63L52  
 FTF10-CT2RS



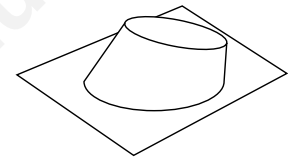
**Round Termination**  
 63L55  
 FTF10-CTDTM



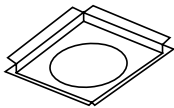
**Firestop Spacer (30°)**  
 63L37  
 F10FS30-2



**Termination Shroud**  
 63L56  
 FTF10-TMS



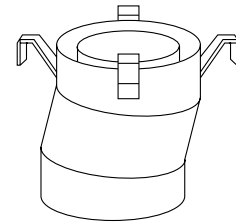
**Flashing**  
 63L40  
 63L41  
 F10F6  
 F10F12



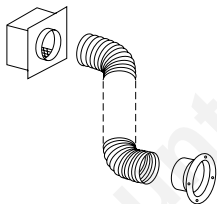
**Firestop Spacer (Flat)**  
 63L36  
 F10FS-2



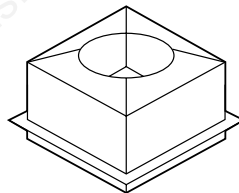
**Storm Collar**  
 63L59  
 FSC



**Combination Offset/Return Elbow**  
 63L34  
 FTF10-OR15



**Chimney Air Kit (Canada Only)**  
**Combustion Air Kit (Less Duct)**  
 81L87  
 81L88  
 FOAK-4  
 FOAK-4LD



**Attic Shield Assembly Firestop Spacer**  
 FTF10-FSAS

Mountain View Hearth Products  
manuals.stove-parts-unlimited.com

---

The manufacturer reserves the right to make changes at any time, without notice, in design, materials, specifications, prices and also to discontinue colors, styles and products. Consult your local distributor for fireplace code information.

Printed in U.S.A. © 2001 by LENNOX HEARTH PRODUCTS  
**P/N 850,005M REV. F 01/2007**



**HEARTH PRODUCTS**

1110 West Taft Avenue  
Orange, CA 92865