

LENNOX[®]

HEARTH PRODUCTS

INSTALLATION INSTRUCTIONS

BK-100 CIRCULATION BLOWER KIT (CAT. NO. 14M22)
FOR MODELS - 1400HT, 1500HT, 1003C and 1900HT-M

KIT CONTENTS:

- 1 ea. Blower Assembly
- 1 ea. Dial-A-Temp (variable speed control)
- 2 ea. #10-24x 1/2" screws, washers and nuts
- 1 ea. Instruction Sheet

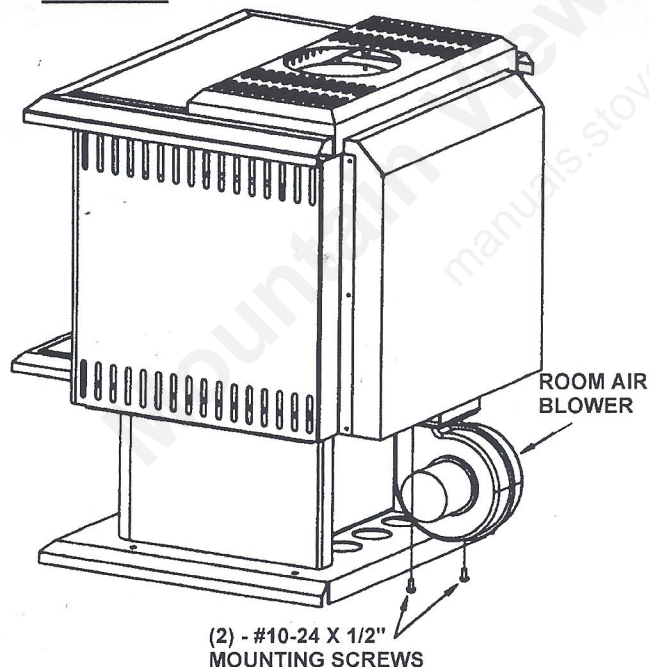
TOOLS REQUIRED:

Standard (slotted) screwdriver

INSTALLATION INSTRUCTIONS:

The blower mounts directly to the stove at the bottom of the rear heat shield. Install as follows:

1. Remove blower assembly, Dial-A-Temp and hardware from box.
2. Place the mounting bracket against the bottom of the rear heat shield (see illustration below). The blower outlet should be positioned so the air will blow upward between stove back and rear heat shield.
3. Line up holes in blower bracket to holes at the bottom of the rear heat shield. Install and tighten all three screws.
4. Make certain power cord is not routed beneath the heater.



BLOWER OPERATION

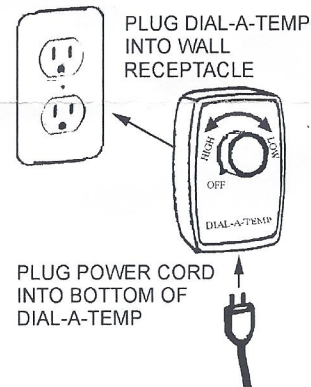
The blower may be operated in two ways:

1. **Manual Operation:** Install the blower kit with the Dial-A-Temp variable speed control.
2. **Automatic Operation:** Install the blower kit with the optional "Stove-Stat" kit (SSK). In automatic mode the blower will cycle on and off as the stove heats up and cools.

Manual Blower Operation:

Plug the Dial-A-Temp speed control into a wall receptacle, then plug the blower power cord into the bottom of the Dial-A-Temp. To adjust blower speed, turn knob on Dial-A-Temp clockwise just past click (the first ON position) for highest output setting. Continue turning knob clockwise for slowing of blower speed to desired output setting.

Dial-A-Temp (Variable Speed Control)



Blower Kit Installed and Plugged In

