

Glass Door Kit

Installation Instructions

Models:

36GDKBB/BK/DP/S

42GDKBB/BK/DP/S



"BB" Designates Brush Brass doors with black tracks
 "BK" Designates Black doors with black tracks
 "DP" Designates Polished Brass doors with black tracks
 "S" Designates Pewter with black tracks

IMPORTANT: Read instructions carefully before starting installation. Failure to follow instructions as detailed may result in a possible fire hazard and will void warranty.

Check Carton Contents

Compare shipping carton contents in Figure 1 with actual parts received. If any parts are missing or damaged, contact your dealer before starting installation. **DO NOT** install a damaged glass enclosure kit.

TABLE 1

Glass Door Model	Series Used On
36GDKBB, 36GDKBK, 36GDKDP, 36GDKS	BR/BC36, BR/BC36i, BREF36, BREF36NH, SR/SC36*, STR36, WMC36
TBREF36, TBREF36NH,	
42GDKBB, 42GDKBK, 42GDKDP, 42GDKS	BR/BC42, BR/BC42i, BREF42, BREF42NH, SR/SC42**, STR42, WMC42

* up to and including FB30RO

** up to and including GB30RO

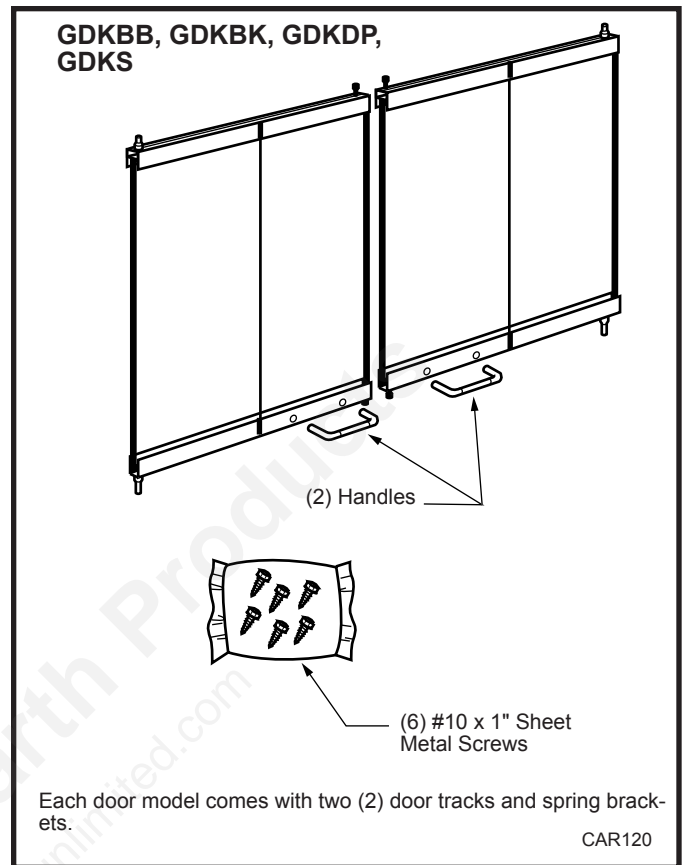


Fig. 1 Shipping Carton Contents

Installation Precautions

Vermont Castings Group GDK Series Glass Door Kits are tested and safe when installed in accordance with this installation manual.

Vermont Castings Group glass enclosures are carefully engineered and must be installed only on the Woodburning and Gas burning fireplace models listed in Table 1.

Modification of components may possibly cause a fire hazard and will void the warranty. Such action may also void the homeowner's insurance.

Glass enclosures must be installed within the fireplace opening as detailed in these instructions. (It must **NOT** be separated from the firebox with fireplace facing or finishing materials.)

Protect hands and eyes during installation by wearing work gloves and safety glasses.

IMPORTANT: Mortar and masonry cleaning agents will corrode door finish unless neutralized. If fireplace surround has been faced with any type of masonry, wash with ammonia water or baking soda solution to avoid trim corrosion.

Installation Instructions

NOTE: When installing glass door kit on fireplace model STR Series Fireplaces, two (2) door sets are used.

1. Mount the two (2) door tracks. You will find two (2) pre-punched holes in the top and bottom surround for the mounting of the door tracks. The 42" models have a third hole in the middle of the track. BREF/TBREF have five (5) prepunched holes in the bottom surround for the door track to fit into. With the shorter leg of the track facing away from the fireplace, align holes in track with holes in unit. (Fig. 2) Using two (2) #10 x 1" long sheet metal screws, position the door track as shown in Figure 2. Secure the door track to the bottom surround. Attach the remaining door track to the top surround using the same method. BREF/TBREF do not require screws for the lower track.

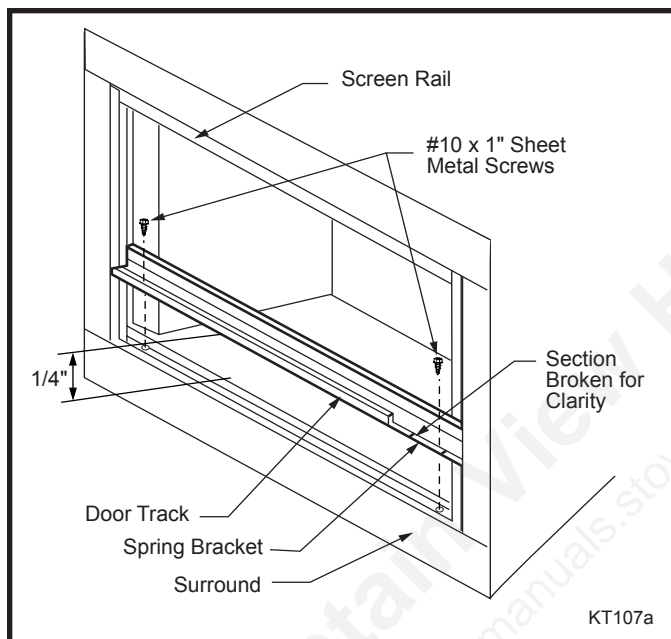


Fig. 2 Mounting door tracks.

2. Install the door assemblies by folding each door and then placing it in the track at an angle and sliding the hinge pin into the spring bracket. When the hinge pin is snapped in place, top and bottom, the door should slide smoothly in the track. (Fig. 3)
3. When the glass enclosure kit is properly installed in the fireplace opening, the door tracks will have an approximate 1/4" air space between tracks and surround, (at bottom and top of opening) created by the spacers. **These air spaces must not be blocked.** (Fig. 3)

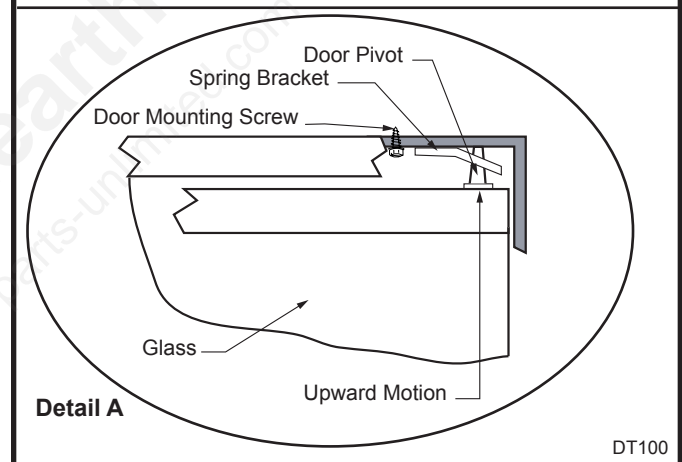
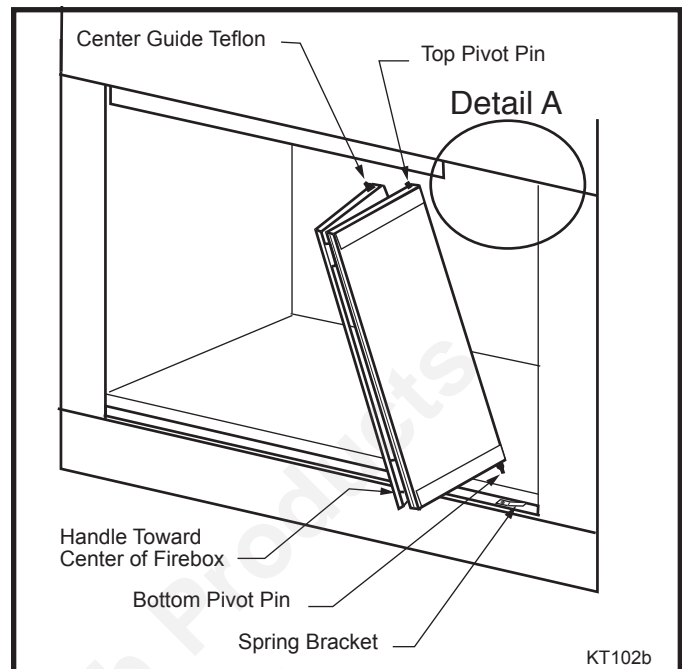


Fig. 3 Mounting door assembly in door tracks. Depress top spring bracket to remove door assembly.

4. If the doors do not align and work smoothly, the door assembly needs to be aligned. Open the door and loosen the top and bottom spring bracket slightly and adjust the door to eliminate the misalignment or binding. Position the door and retighten the retaining screw.
5. Your doors are now ready to use.
6. Repeat Step 2 through Step 6 for mounting second door assembly/door tracks of glass enclosure kit into STR fireplace opening.

WARNING: FIREPLACES EQUIPPED WITH DOORS SHOULD BE OPERATED ONLY WITH DOORS FULLY OPEN OR DOORS FULLY CLOSED. IF DOORS ARE LEFT PARTLY OPEN, GAS AND FLAME MAY BE DRAWN OUT OF THE FIREPLACE OPENING, CREATING RISKS OF BOTH FIRE AND SMOKE. (Fig. 5)

If door assemblies do not operate properly, loosen the screws holding spring clips and slide doors forward slightly (Fig. 6). Then retighten pivot pins. A 1/8" gap should exist between door assemblies when doors are closed.

- a. Make sure door assemblies sit squarely in fireplace opening.
- b. Make sure door assemblies are centered in fireplace opening. There should be a 3/8" vertical gap between glass edge and side of fireplace opening.

If door assemblies do not sit squarely in opening, loosen top pivot pin and/or screws holding spring clips and adjust door alignment.

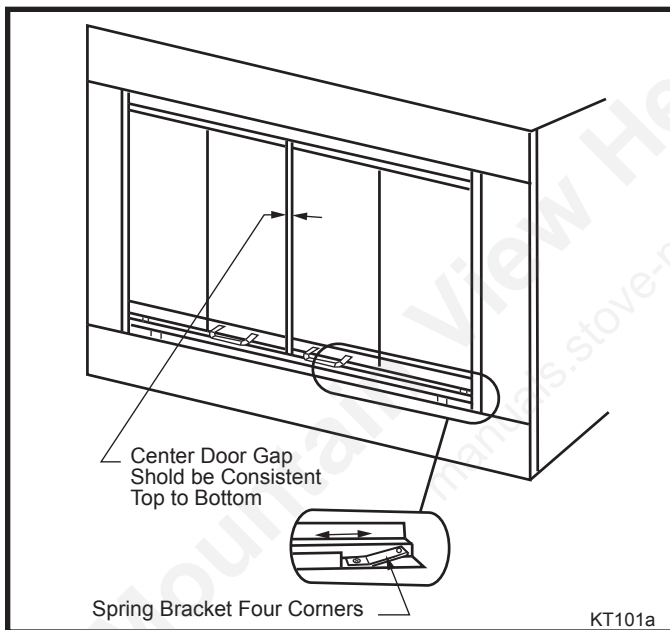


Fig. 4 Proper alignment of doors.

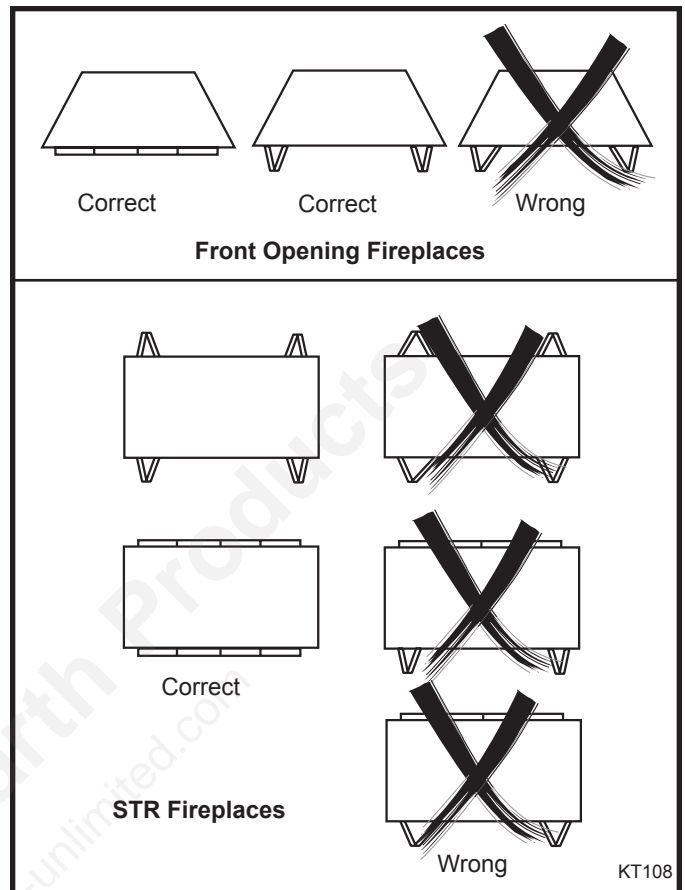


Fig. 5 Correct door positions.

7. Check both doors for a smooth operation while closing. Door bottoms should make good contact with opposing door, but not too difficult to get closed.

To adjust door height, loosen either top or bottom screws holding spring clips and slide extrusion backward or forward to raise or lower door. (Fig. 3)

IMPORTANT: When finished with door installation, don't forget to remove plastic coating from finish trim to prevent discoloration. (Fig. 6)

Refer to homeowner's manual for maintenance, operating procedures and replacement parts information.

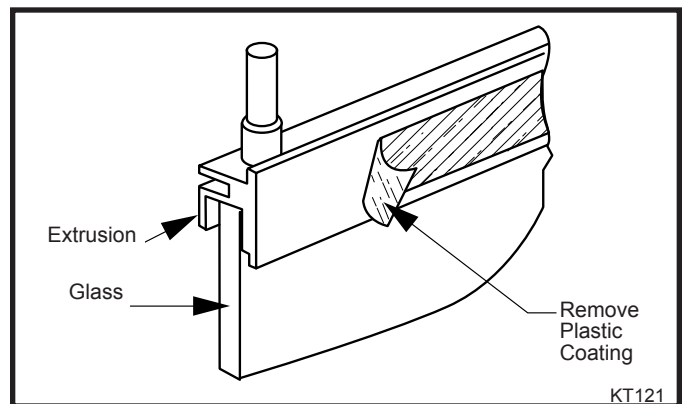
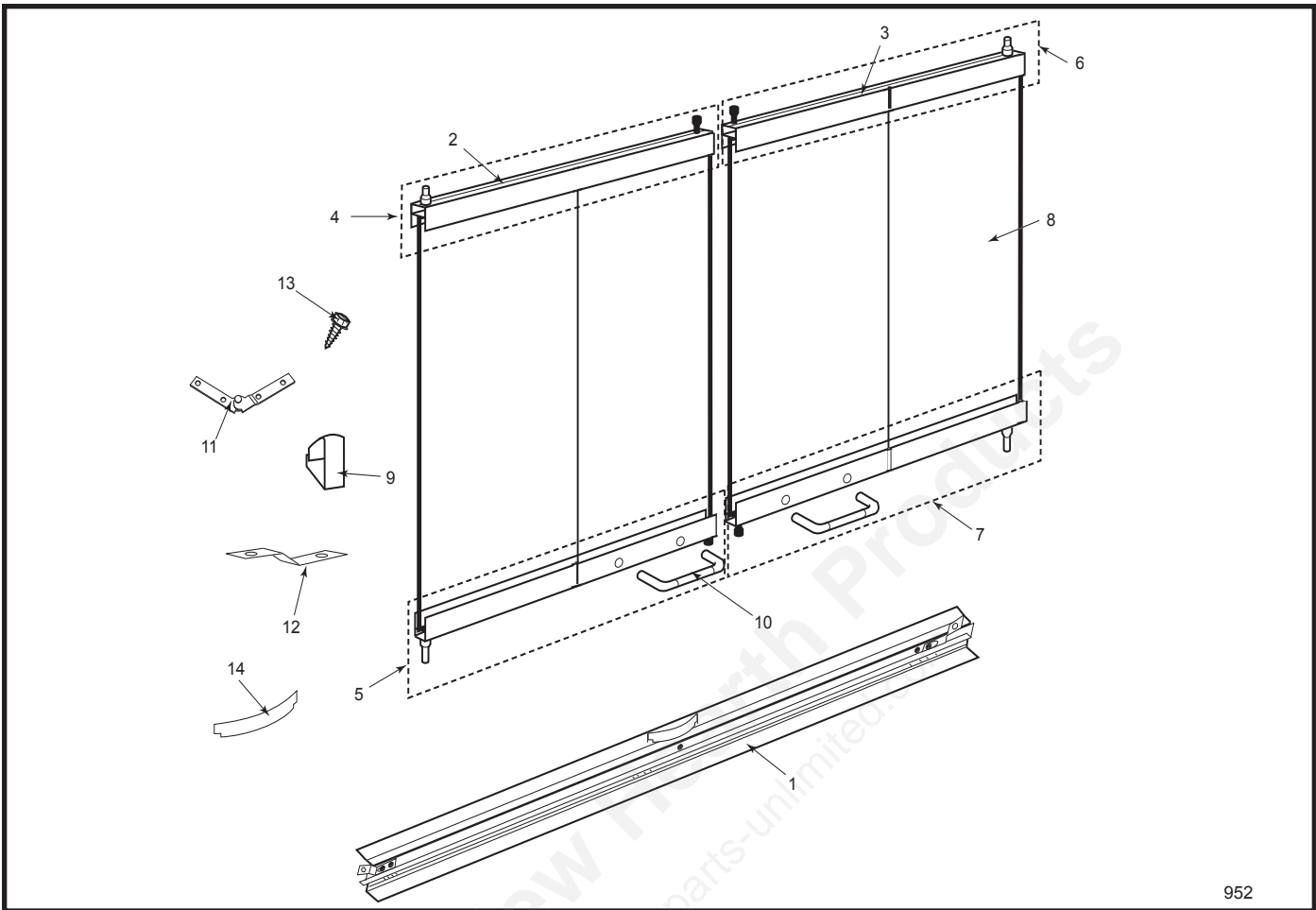


Fig. 6 Remove plastic coating from finish trim.



952

Vermont Castings Group reserves the right to make changes in design, materials, specifications, prices and discontinue colors and products at any time, without notice.

GDK Glass Door Kit

Item/Model Number	36GDK Part Number	42GDK Part Number
1. Door Track Assembly BB, BK, DP, S	20003384	20003435
2. Left Door Assembly BB BK DP S	20002791 20002785 20002808 20004339	20002832 20002824 20002840 20004351
3. Right Door Assembly BB BK DP S	20002790 20002784 20002807 20004338	20002831 20002823 20002839 20004350
4. Left Top Trim BB BK DP S	20002793 20002781 20002810 20004361	20002834 20002826 20002842 20003929
5. Left Handle Trim (includes Handle Assembly) BB BK DP S	20002795 20002783 20002812 20004360	20002836 20002828 20002844 20003930

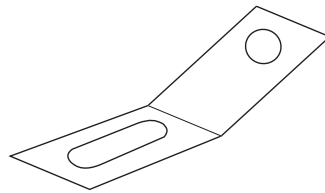
GDK (continued)

Item/Model Number	36GDK Part Number	42GDK Part Number
6. Right Top Trim		
BB	20002792	20002833
BK	20002780	20002825
DP	20002809	20002841
S	20004363	20003931
7. Right Handle Trim (includes Handle Assembly)		
BB	20002794	20002835
BK	20002782	20002827
DP	20002811	20002843
S	20004363	20003932
8. Tempered Glass		
BB & BK & DP & S	7540637	7540642
9. Spring Clip (Glass)		
BB & DP	7512203	7512203
BK & S	7512201	
10. Handle Assembly (with Screws)		
BB & DP	4497112	4497112
BK & S	4497113	4497113
11. Hinge		
BB & BK & DP & S	20001665	20001665
12. Spring (for Door Track)		
BB & BK & DP & S	20002472	20002472
13. Screw		
BB & BK & DP & S	7521201	7521201
14. Closure Spring	7540264	7540264

NOTE: For ordering purposes, refer to the following item numbers:

If the springs in the top or bottom door tracks look like the following, use these item numbers:

	BB	BK	DP	S
36	FT2E00	FT2B00	FT2PD0	FT1S00
42	GT2E00	GT2B00	GT2PD0	GT1S00



Mountain View Hearth Products
manuals.stove-parts-unlimited.com

Vermont Castings Group

149 Cleveland Drive • Paris, Kentucky 40361
www.vermontcastingsgroup.com