

OPEN FRONT MODELS
 L28B — L36B — L42B
OPEN RIGHT END MODELS
 L36BR — L42BR
OPEN LEFT END MODELS
 L36BL — L42BL

SEE CODES, APPROVALS and LISTINGS ON Page 6

installation instructions

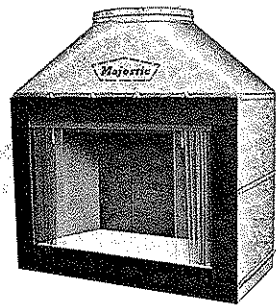


THULMAN Fireplaces & Chimneys

HEIGHT LIMITATIONS		
MODEL	MINIMUM HEIGHT	MAXIMUM HEIGHT
L28B	10'9"	90'
L36B	12'6"	90'
L36BR-BL	12'6"	90'
L42B	11'3"	90'
L42BR-BL	11'3"	90'

READ INSTRUCTIONS CAREFULLY;
REFER TO YOUR MODEL NUMBER

L36BR — L36BL — L42BR — L42BL



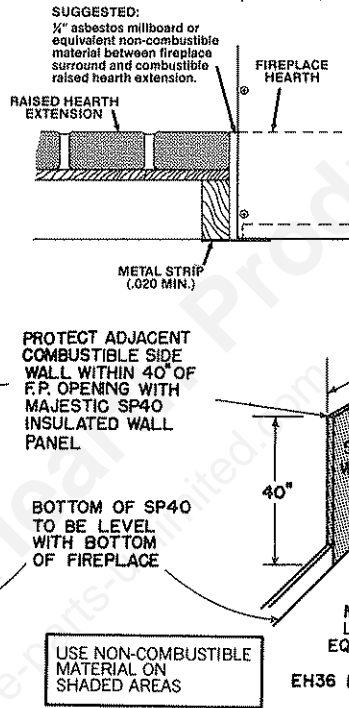
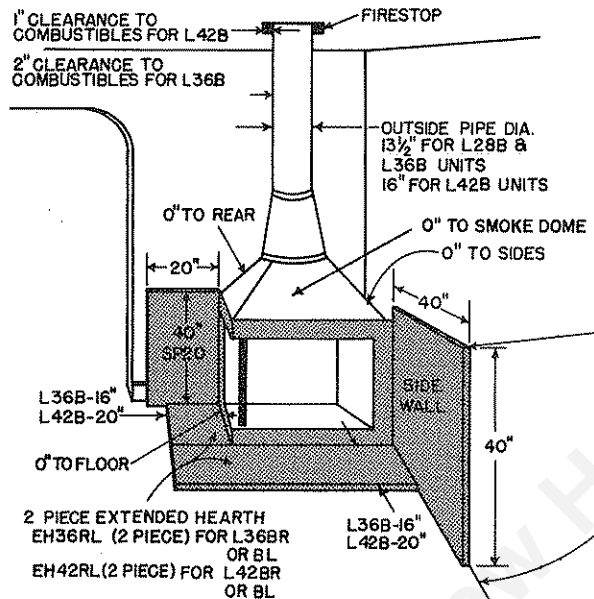
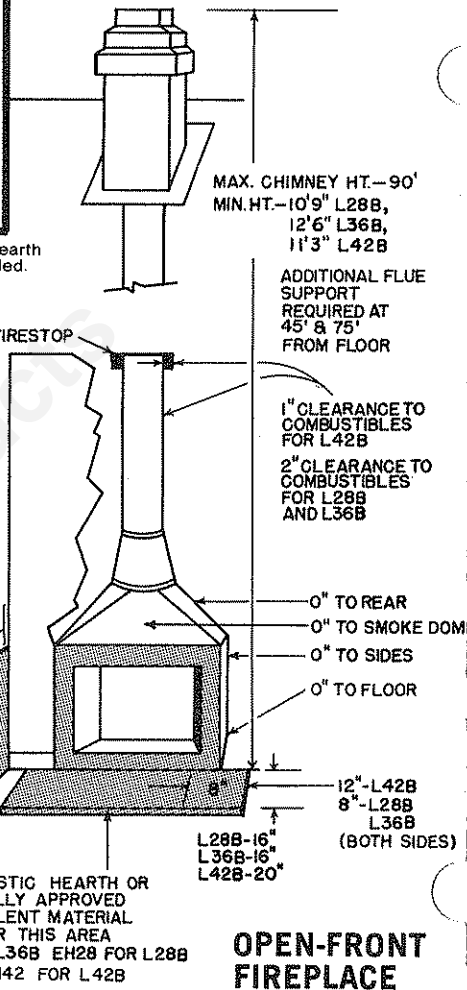
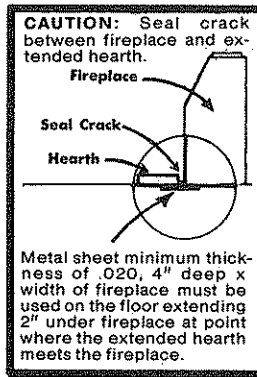
L42B



L28B — L36B

CLEARANCES:

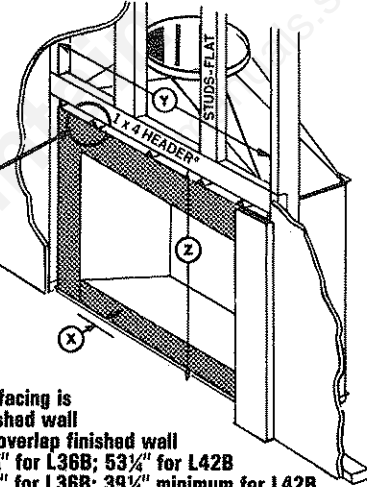
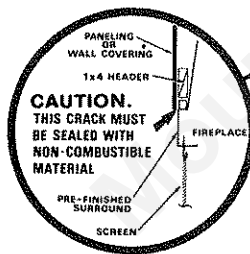
Any of these models may be placed directly on a combustible floor, against a combustible wall or raised on a wooden platform without clearance from combustible construction. Framing members may be placed directly against the side and back of the fireplace. Combustible floors must be protected at front and sides of openings, as shown below. Combustible walls, at right angles and within 40" of fireplace opening, must be protected as shown below. L28B, L36B model 'S' chimney sections require 2" clearance, and L42B model 'S' chimney sections require 1" clearance to combustibles.



RIGHT OR LEFT OPEN-END FIREPLACE

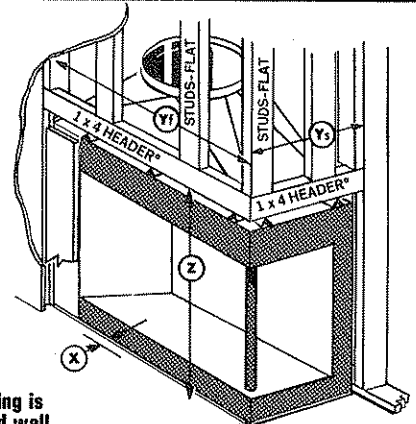
OPEN-FRONT FIREPLACE

FRAMING FIREPLACE:



X = Facing thickness, if facing is to be flush with finished wall
 X = Zero, if facing is to overlap finished wall
 Y = 38 1/4" for L28B; 46 1/4" for L36B; 53 1/4" for L42B
 Z = 33 1/4" for L28B; 35 1/4" for L36B; 39 1/4" minimum for L42B

*If 2 x 4's are used, they must be raised approximately 3 inches to clear fireplace structure.



X = Facing thickness, if facing is to be flush with finished wall
 X = Zero, if facing is to overlap finished wall
 Yf = 41 1/2" for L36BR & L36BL; 47 1/2" for L42BR & L42BL
 Ys = 24" for L36BR & L36BL; 24 1/2" for L42BR & L42BL

Fireplace may be properly located and framing built around it, or framing may be prepared and fireplace positioned later. In the latter case, fireplace must be pushed into position from rear. Framing around fireplace is constructed of 2x4's, or heavier, in conventional manner.

Studs may be placed flat to conserve space. No clearances are required between framing and fireplace. Header across opening must be 1x4 if wall is non-supporting, and may rest on V-angles on fireplace front ledge. Refer to catalogs and price lists for surrounds, hearth extensions and bases.

Framework around the fireplace opening is illustrated above. Dimensions are shown also (Page 5) to facilitate construction of framing and enclosure.

In illustration above, Dimension "X" indicates position of finished wall surface with respect to surround face of fireplace.

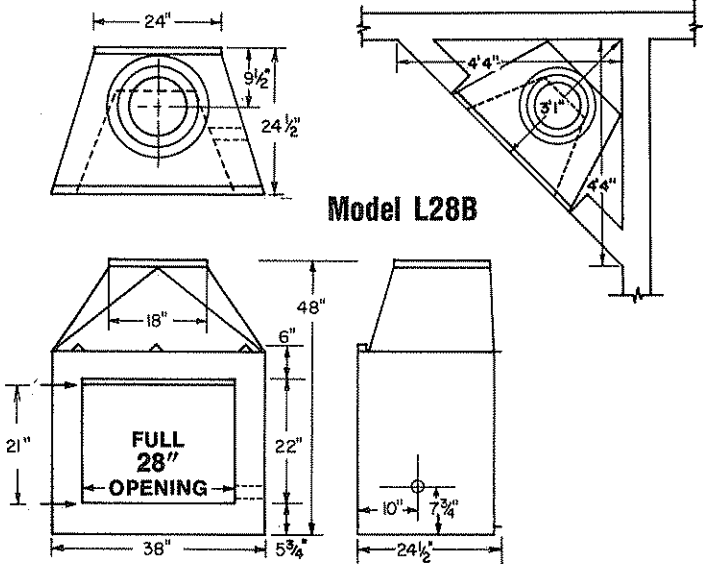
As a general rule, when moulding or trim piece is to be installed around surround, finished surround is best installed FLUSH with finished wall so a simpler trim piece may be used to cover joint. We recommend all joints be completely sealed where wall meets top or side of fireplace surround. Position of header and framework around opening must be adjusted to accommodate thickness of finished surround when fireplace sits tight against wall at rear. If choice of finished surround is made AFTER INSTALLATION, it is suggested that framing be installed so finished surround will OVERLAP finished wall ("X" = Zero).

DIMENSIONS FOR FRAMING

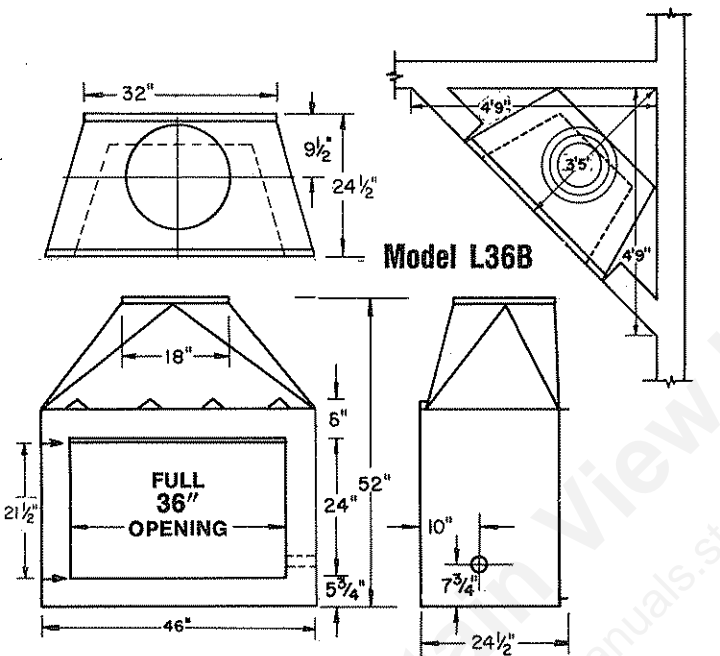
See "Framing Fireplace" Instructions on Page 2.

SPECIFICATIONS SUBJECT TO CHANGE WITHOUT NOTICE.

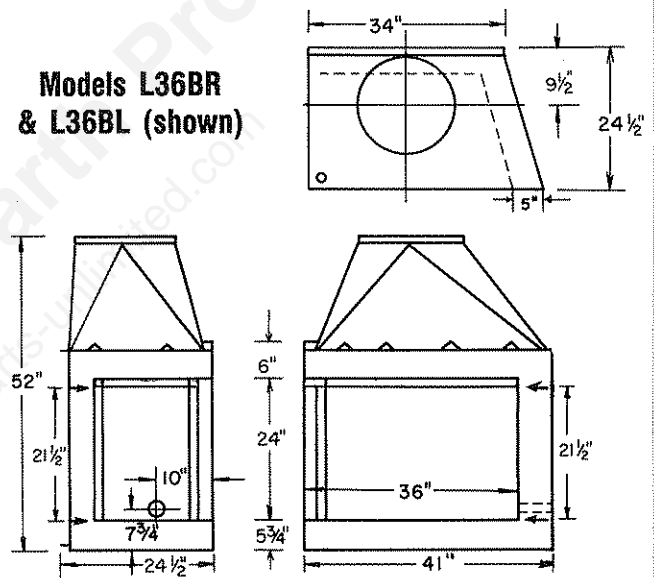
Model L28B



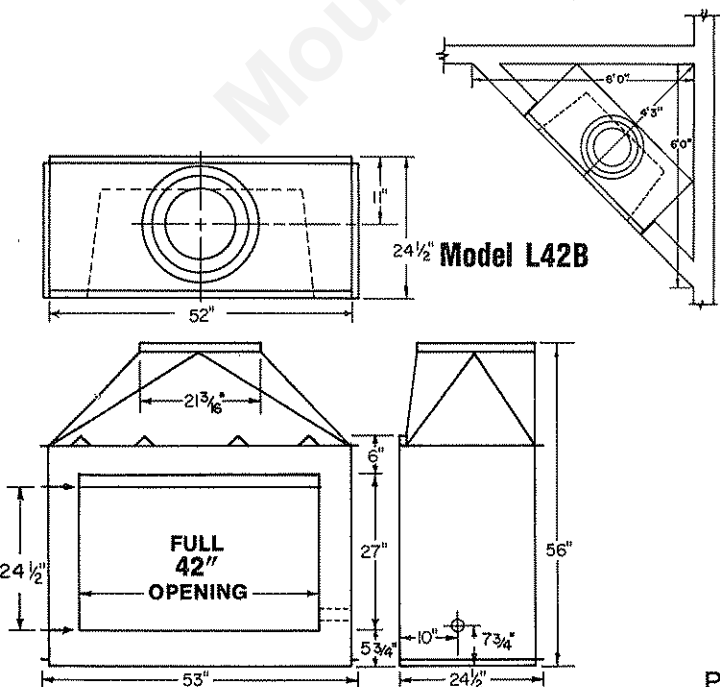
Model L36B



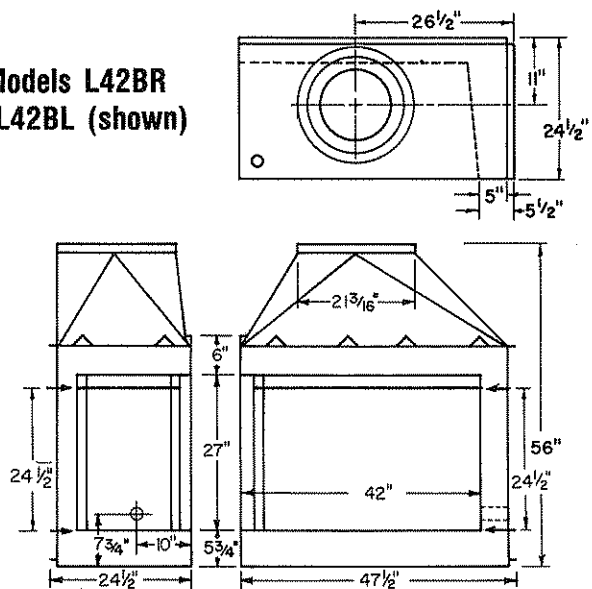
Models L36BR & L36BL (shown)



Model L42B

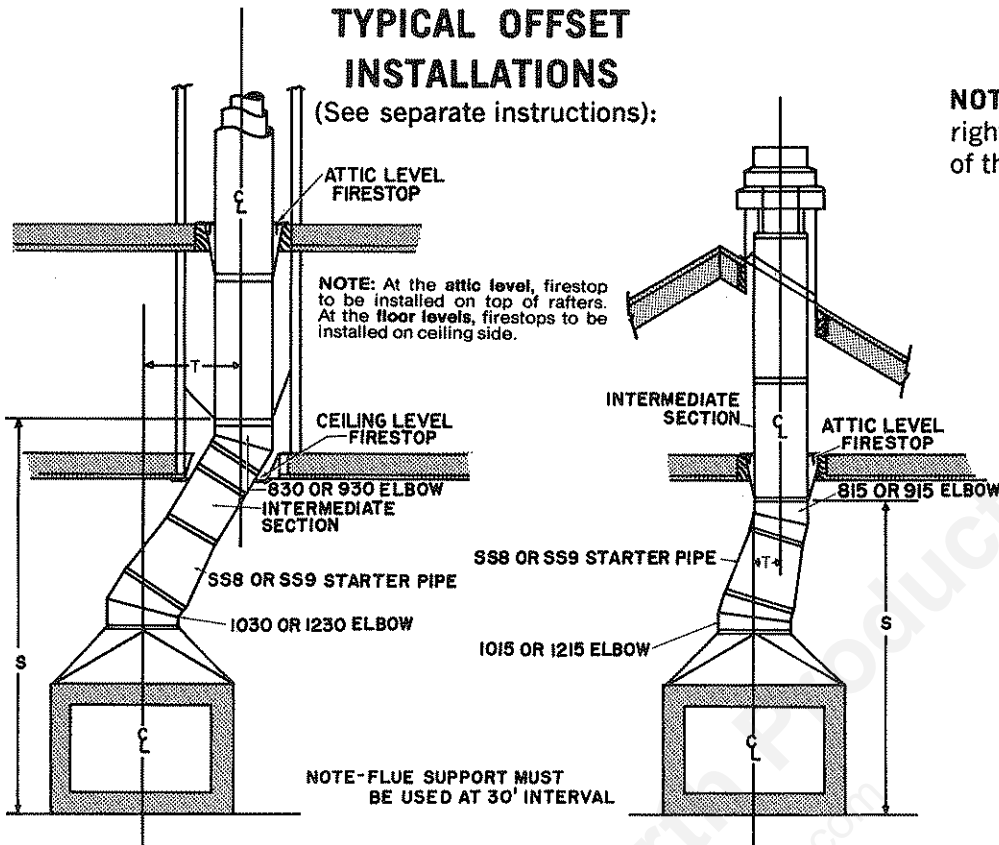


Models L42BR & L42BL (shown)



TYPICAL OFFSET INSTALLATIONS

(See separate instructions):

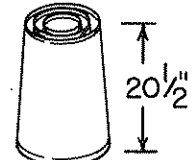


NOTE-FLUE SUPPORT MUST BE USED AT 30' INTERVAL

NOTE: Chimney may incline left, right or rear as viewed from front of the Fireplace.

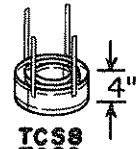
ACCESSORY DIMENSIONS:

STRAIGHT

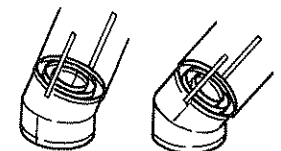


SS8
SS9

FLUE SUPPORT

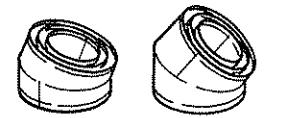


TCS8
TCS9



815
915
15° ELBOW

830
930
30° ELBOW



1015
1215
15° ELBOW

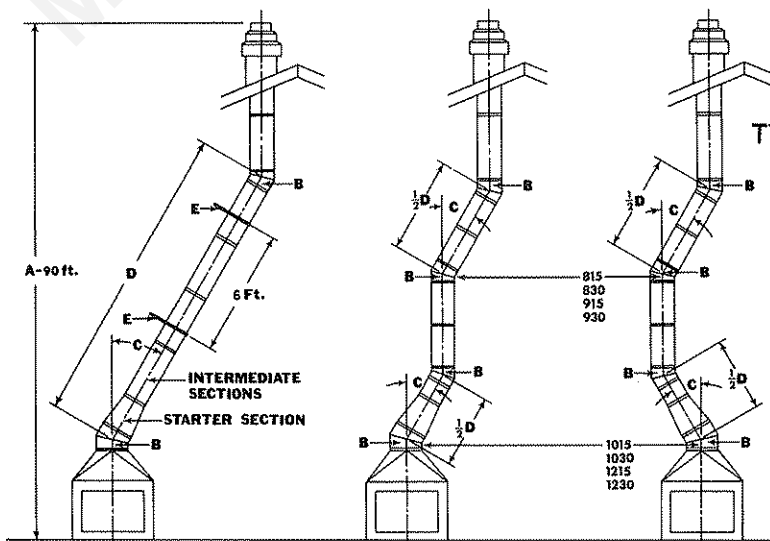
1030
1230
30° ELBOW

USING 30° ELBOWS & SS8 or SS9 STARTER PIPE

	Dim. "T" in Inches	Dim. "S" in Inches		
		L28B	L36B	L42B
No Section Added	16"	86"	90"	94"
One 1' Section	22"	96"	100"	104"
One 18" Section	25"	100"	104"	108"
One 2' Section	28"	106"	110"	114"
One 1' & One 18" Sections	31"	109"	113"	117"
One 2' Section	35"	115"	119"	123"
One 2' & One 18" Sections	37"	120"	124"	128"
Two 2' Sections	40"	125"	129"	133"
One 3' & One 18" Sections	43"	130"	134"	138"
One 3' & One 2' Sections	46"	134"	138"	142"
Two 2' & One 18" Sections	49"	140"	144"	148"
Two 3' Sections	53"	144"	148"	152"

USING 15° ELBOWS & SS8 or SS9 STARTER PIPE

	Dim. "T" in Inches	Dim. "S" in Inches		
		L28B	L36B	L42B
No Section Added	7"	85"	89"	93"
One 1' Section	10"	95"	99"	103"
One 18" Section	12"	101"	105"	109"
One 2' Section	13"	106"	110"	114"
One 1' & One 18" Sections	15"	111"	115"	119"
One 3' Section	17"	117"	121"	125"
One 2' & One 18" Sections	18"	122"	126"	130"
Two 2' Sections	19"	127"	131"	135"
One 3' & One 18" Sections	21"	133"	137"	141"
One 3' & One 2' Sections	22"	139"	143"	147"
Two 2' & One 18" Sections	23"	144"	147"	151"
Two 3' Sections	25"	150"	154"	158"



TYPICAL DOUBLE OFFSET INSTALLATIONS

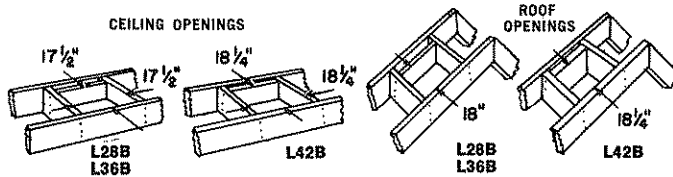
- 90' maximum height. Minimum height. 10'9" L28B — 12'6" All models L36B; 11' 3" All models L42B.
- Four 30" elbows maximum per system.
- Chimney is to be a maximum of 30° from vertical.
- Maximum of 20 ft. total length of angled run of chimney.
- Additional support to be provided every 6 ft. for angled run of chimney.

FRAMING CEILING & ROOF OPENINGS:

Frame ceiling and roof opening directly above one another, except when using offset elbows. Flue should go straight up to top housing. Firestops must be used at each ceiling, but none is required at roof line. Roof framing must be 2 x 6's or 2 x 4's and securely nailed, as top housing and flashing are anchored to this construction and must withstand heavy wind loads. Roof opening is larger to provide attic ventilation. NOTE: Opening dimensions are measured horizontally and change with roof pitch.

CEILING & ROOF OPENING SIZES

Fireplace Chimney Size	Ceiling Opening	Roof Opening (horizontal)			
		T18	T22	T40	T62
8"	17½ x 17½	18	18 or 22½	22½ or 40	22½ or 62
9"	18¼ x 18¼	18¼	18¼ x 22½	22½ or 40	22½ or 62

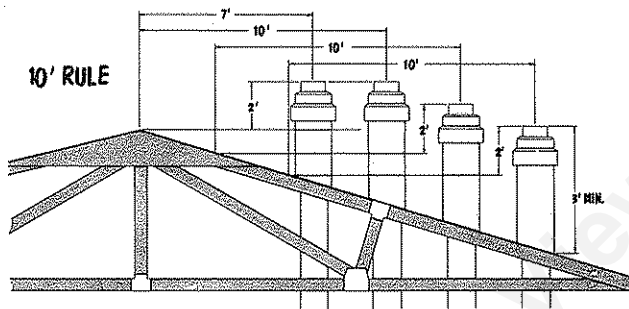


L28B and L36B—8" Model 'S' Chimney
L42-B—9" Model 'S' Chimney

INSTALLING THE CHIMNEY:

STEP 1. Installation of Majestic Thulman Fireplace model 'S' Chimney may be made at any time after Fireplace has been set in desired location, preferably before any framework has been constructed around Fireplace to facilitate access to chimney connections.

STEP 2. Use 10' Rule if distance from center of flue to peak of roof is greater than 10'.



If chimney is within 10' of the roof peak, the top should extend above 24". When further than 10' from the roof peak, the top of the chimney should be positioned so that it is 10' or more from the closest point on the roof in a horizontal direction, and 24" above that point. Minimum dimensions of major U. S. Building Codes. See Drawing.

STEP 3. 90' maximum height from bottom of fireplace. Additional flue support required at 45' and 75' from floor.

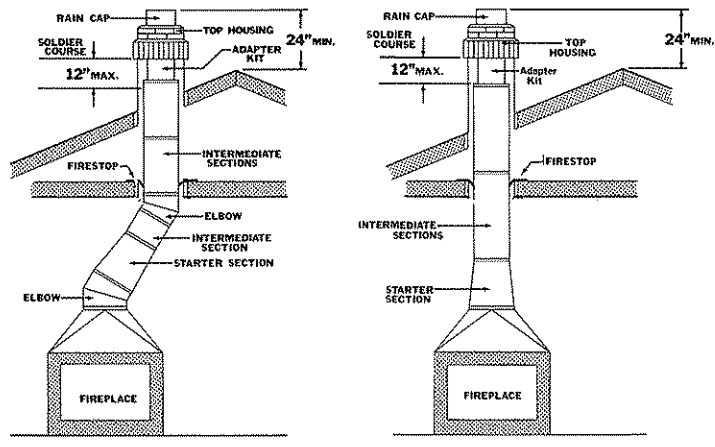
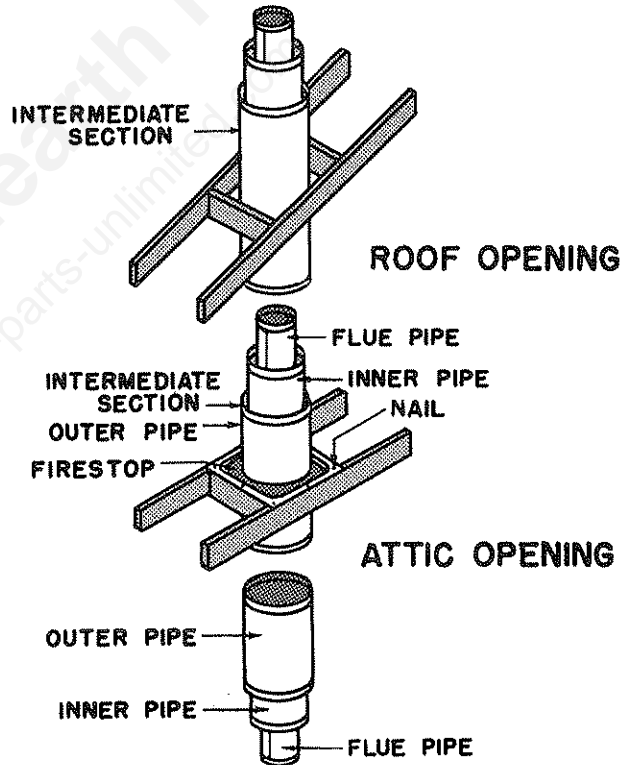
STEP 4. Cut and frame openings through ceiling and roof levels (see opening sizes, above). These sizes allow proper clearance between chimney and combustible construction. Roof opening should be cut to chimney housing to provide for attic ventilation.

STEP 5. Fasten triple-wall stainless steel starter pipe (with large diameter DOWN) or, large elbow, so that snaps engage. The three sections (inner, middle and outer) may be installed one at a time, starting with the inner one, or it may be necessary to hold middle and outer sections up toward ceiling opening while installing inner section. Be sure snap-locks engage all three sections of starter pipe or elbow to corresponding three rims of fireplace flue outlet.

STEP 6. At each ceiling level, install a firestop, with angle extending into joist space, and nail it to joist and headers around ceiling opening. No firestop is to be used at roof level.

STEP 7. Intermediate sections, consisting of inner stainless steel flue pipe, middle pipe and outer pipe, are installed like starter pipes. Continue with the intermediate sections until they extend through roof and above highest part of roof opening and at least high enough to fit 3" or more around telescoping pipe (in top housing).

STEP 8. Refer to separate Top Housing installation instructions to complete termination assembly. Separate adapter kit required for "T" series top housings (see adapter kit installation instructions packed with kit).



Majestic Fireplaces are approved, listed, certified, and/or accepted by leading national and local building codes and authorities:

Building Officials Code Administration			Design certified by American Gas Association to ANSI standards.
INTERNATIONAL CONFERENCE OF BUILDING OFFICIALS			
			Southern Building Code Congress
THE MAJESTIC COMPANY, HUNTINGTON, INDIANA 46750			

LOCAL CODES:

Local Building Codes should be consulted in all cases as to the particular requirements concerning the installation of factory-built fireplaces. Majestic Thulman Fireplaces are intended for use in accordance with Standard NFPA #211 of the National Fire Protection Association.

NOTE: If substitution parts are used or Majestic parts are not installed according to these instructions, U.L. listing is null and void.

GAS LOG-LIGHTER

All Majestic Thulman Fireplaces have been designed with provision for inserting 1/2" gas line for a log-lighter. All OPEN-FRONT MODELS have a gas line access tube through lower right of unit behind solid liner. The units are shipped with liners installed, solid panel on right (covering the access hole provision in case log-lighter is not to be used), and liner with plugged hole near the top, on the left. If log-lighter is to be installed, remove liners and reverse positions (left to right). With liners removed you will find a square metal plate covering the log-lighter access tube through the lower right side of the firebox. Remove this plate. This hole continues through the side of the unit and is filled with insulation. Remove the insulation. Snap out the hole plug from the liner, which has already been switched from left to right, and align with the cleared tube hole through the side of the fireplace. With correct liner in place you'll have a 1 1/4" hole available for the gas line. After log-lighter gas line is in place, repack the insulation around line. All OPEN-END MODELS are shipped with the liner in correct position and the liner hole plugged directly over the access tube through the fireplace. Remove the liner and follow same procedure to completion.

Majestic[®]

An American-Standard Company