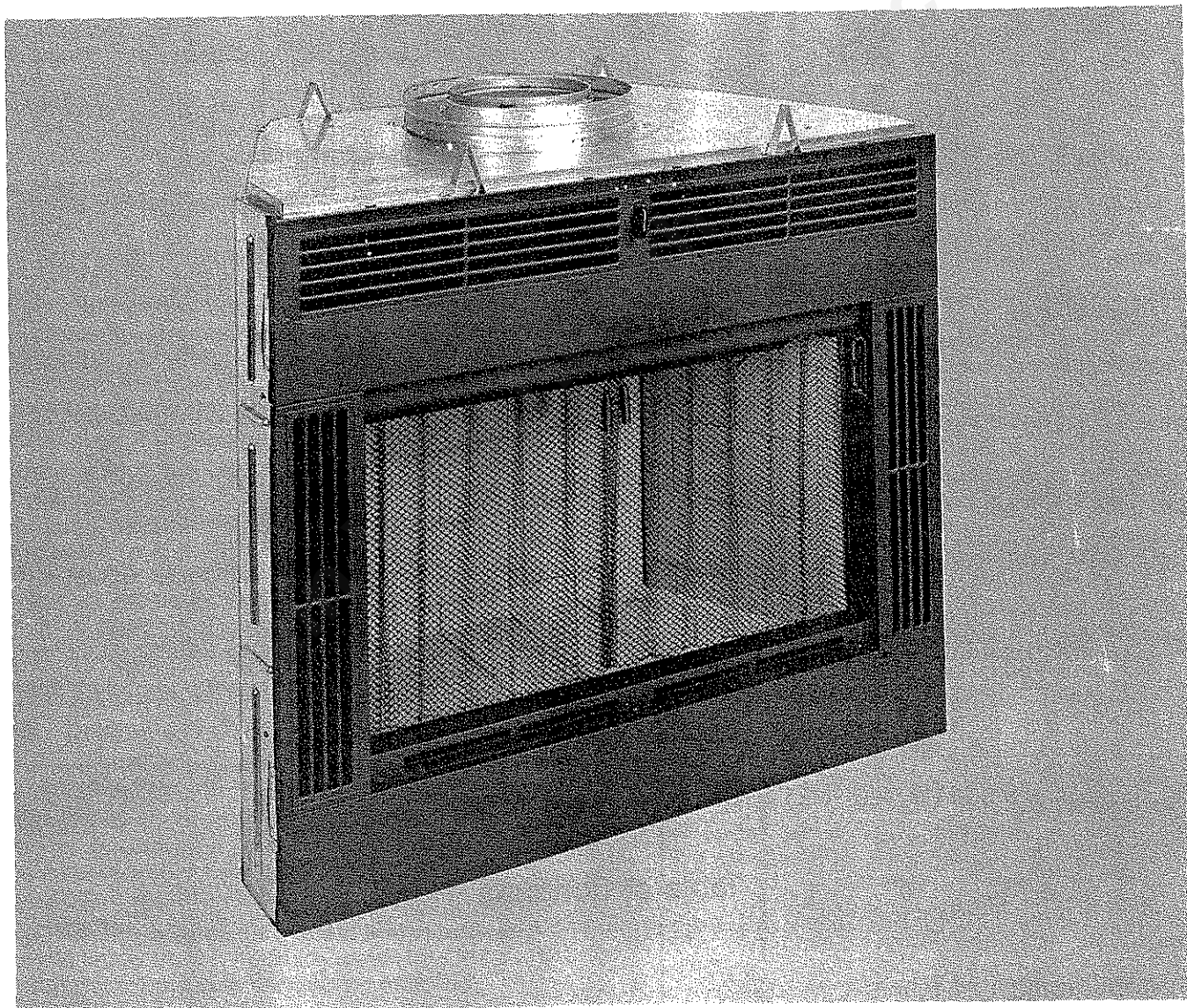


● INSTALLATION MANUAL

for the MAJESTIC[®]
MEC36, MEC36F
Heat Circulating Fireplace



● IMPORTANT: Read all instructions carefully before starting installation. Failure to follow these installation instructions may result in a possible fire hazard and will void the MAJESTIC warranty.

● Save this manual for future reference.

● **MAJESTIC**
An American-Standard Company

IDENTIFICATION OF PARTS

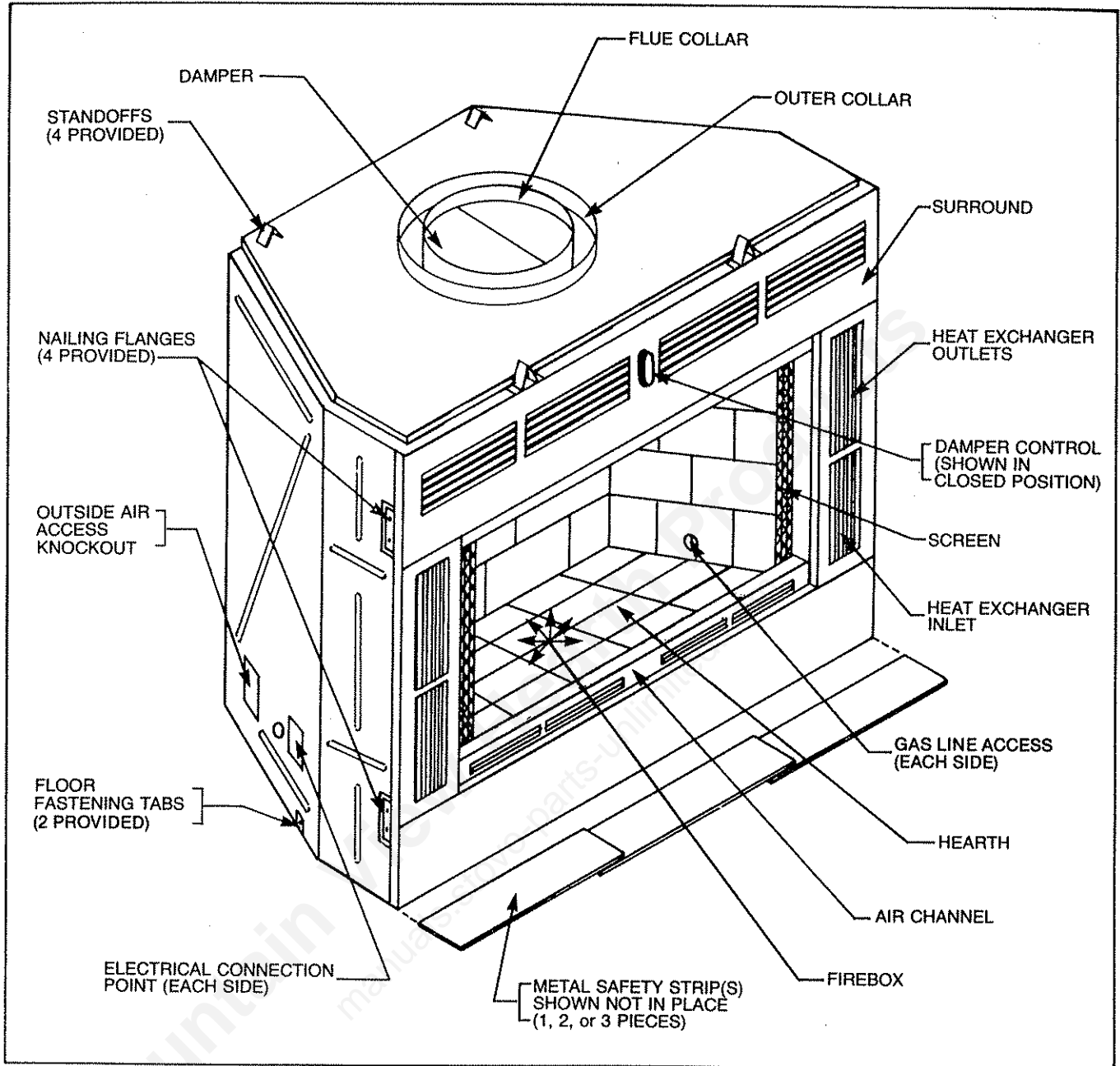


Fig. 1. Parts of the MAJESTIC- MEC36 Series fireplaces.

Table of Contents

	Page
Identification of Parts	2
Installation Precautions	3
Installation Instructions	3
Reference Data	13
Accessory Parts	14

INSTALLATION PRECAUTIONS

This MAJESTIC Fireplace and its components are tested and safe when installed in accordance with this Installation Manual. Read all instructions **before** starting installation, then follow these instructions carefully **during** installation to insure maximum fireplace benefit and safety.

Report to your dealer any parts damaged in shipment, specifically, check for loose insulation in the fireplace and damper operation.

Since this fireplace and chimney assembly is a highly engineered system, **unless** you use Majestic components* which have been designed for the system, you may possibly cause a fire hazard.

The MAJESTIC warranty will be voided by, and MAJESTIC disclaims any responsibility for, the following actions:

- installation of any damaged fireplace or chimney component,
- modification of the fireplace, chimney assembly or any of the component parts thereof; (except for chase flashings as detailed in MAJESTIC Chimney Top installation instructions.)
- Installation other than as instructed by MAJESTIC; or
- Installation and/or use of any component part not manufactured or approved by MAJESTIC in combination or assembly with a MAJESTIC fireplace system, notwithstanding any independent testing laboratory or other third party approval of such component part or accessory.

Any such action may possibly cause a fire hazard.

Consult your local building codes.

This fireplace and chimney system must be vented out-of-doors.

Do not obstruct or modify air inlet/outlet grilles in any manner.

THE MEC36 IS NOT APPROVED FOR INSTALLATION IN MOBILE HOMES.

Prior to first firing, read Owner's Manual for operating instructions.

INSTALLATION INSTRUCTIONS

A. Installing the Fireplace

A-1. CHECK HOW ACCESSORIES ARE INSTALLED

Determine where selected accessories fit into this fireplace installation procedure by checking the installation instructions provided with each accessory. See *Accessory Parts*, page 14.

NOTE: The outside air system and electrical connection for the fireplace cannot be installed after the fireplace is completely installed.

A-2. DETERMINE FIREPLACE LOCATION

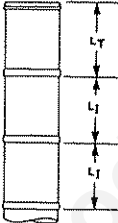
The MEC Fireplace can be mounted on a combustible (burnable) surface. The surface must be flat, hard and have sufficient area to support the entire base of the fireplace uniformly. Do not support the fireplace at just a few points. The surface may be a raised wooden platform.

The fireplace may be placed against a combustible back wall without providing any clearance between the fireplace and the combustible material. Nearby

combustible floors and walls must be protected as detailed in section G.

Refer to *Air Space Data* and *Framing Data* on page 13 to be sure that the location which you have selected for your fireplace provides for clearance and framing restrictions.

At this point you should have decided what components to include in your installation, where the fireplace is to be located, and how the chimney will be routed to the roof, (straight-up, offset, or chase*). If this has not been done, stop and consult your Majestic Dealer for assistance with this planning.



CHIMNEY MODEL NO.	DIMENSION IN INCHES	
	TOTAL LENGTH (LT)	INSTALLED LENGTH (LI)
CF81	11½	10½
CF818	17½	16½
CF83	35½	34½
CF85	58	57

Fig. 2. Installed lengths of chimney sections.

Note that the installed length of any chimney section is less than its total length, (except for the last section installed), because of its overlap at joints. (See Fig. 2).

*A chase is a vertical box-like structure which encloses the fireplace and/or its chimney, typically built on the outside of the house with the fireplace opening cut in the outer wall of the home.

A-3. INSTALL METAL SAFETY STRIPS UNDER FIREPLACE

Thoroughly clean intended fireplace location area. Move fireplace to the location where it is going to be installed. Lift fireplace front slightly to slide metal safety strip(s) under front bottom edge about 1½ inches, allowing the remainder to extend out in front of the fireplace. Overlap the strips at least ½ inch to provide a positive joint. (See Fig. 3). (Safety strips are packed with fireplace).

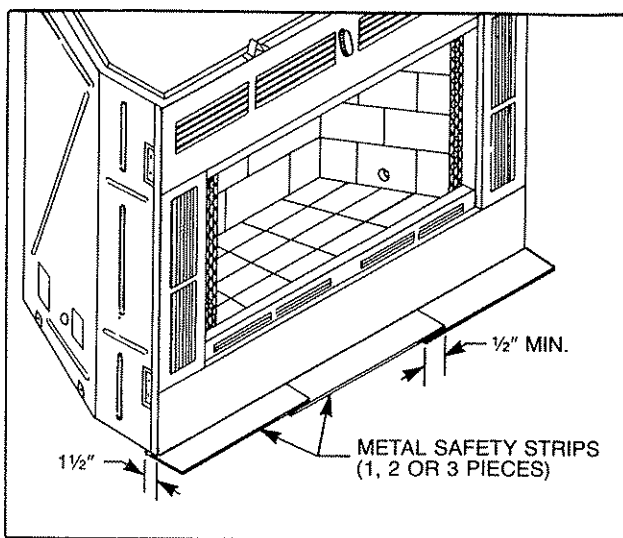


Fig. 3. Install metal strip(s) under front of fireplace.

□ A-4. ANCHOR FIREPLACE IN POSITION

To prevent shifting of the fireplace and to maintain sealing, (described later), anchor the fireplace to the floor. Turn down the four fastening tabs located along the sides of the base pan and nail them to the floor. (See Fig. 4.)

NOTE: An optional method for anchoring is to use the side nailing flanges provided on the fireplace. The fireplace can then be secured to the vertical framing members. Refer to Framing and Finishing Section F.

B. Installing the Chimney

CAUTION:
REPORT TO YOUR DEALER ANY PARTS DAMAGED IN SHIPMENT, SPECIFICALLY, CHECK THE END CONNECTIONS OF CHIMNEY SECTIONS AND ELBOWS.

□ B-1. LOCATE CENTERPOINT OF CHIMNEY – STRAIGHT UP INSTALLATION

If the fireplace is positioned against the wall behind it, measure out 9½ inches from that wall and make a mark on the ceiling above the fireplace. Draw a line through this mark parallel to the back wall, defining the centerline of the chimney. (See Fig. 5.) Then using a plumb bob positioned directly over the imaginary centerpoint of the fireplace flue collar, mark the ceiling to establish the chimney centerpoint. (See Fig. 5.)

□ B-2 LOCATE CENTERPOINT OF CHIMNEY – OFFSET INSTALLATION

In order to clear an obstruction it may be necessary to offset the chimney from the vertical plane. This is done by using MAJESTIC CHIMNEY ELBOWS:

Models: CF815 (15°) and CF830 (30°). Each offset requires a pair of elbows. Use Table 1 and Fig. 6 to determine the offset that may be obtained using the CF815 and CF830.

Table 1. Offset dimensions

	DIMENSIONS			
	T		S	
	CF815	CF830	CF815	CF830
No Intermediate Section	0'2½"	0'5"	1'4¾"	1'7½"
One 1' Section	0'5¼"	0'10¾"	2'2¾"	2'4½"
One 1½' Section	0'6¾"	1'1¼"	2'8¾"	2'9¾"
Two 1' Sections	0'7¾"	1'3½"	3'1"	3'1½"
One 1' and One 1½' Section	0'9½"	1'6½"	3'6¾"	3'6¾"
One 3' Section	0'11½"	1'10¼"	4'2"	4'1¼"
Two 1' and One 1½' Sections	1'0"	1'11⅞"	4'5"	4'3⅞"
One 1' and One 3' Section	1'2"	2'3⅝"	5'¼"	4'10⅝"
One 3' and One 1½' Section	1'3¾"	2'6½"	5'6"	5'3½"
One 5' Section	1'5"	2'9⅝"	5'11¾"	5'8¾"
One 1', one 3' and One 1½' Sections	1'6¼"	2'11⅞"	6'4¼"	6'5⅞"
Two 3' Sections	1'8½"	3'3⅝"	6'11¾"	6'7⅞"

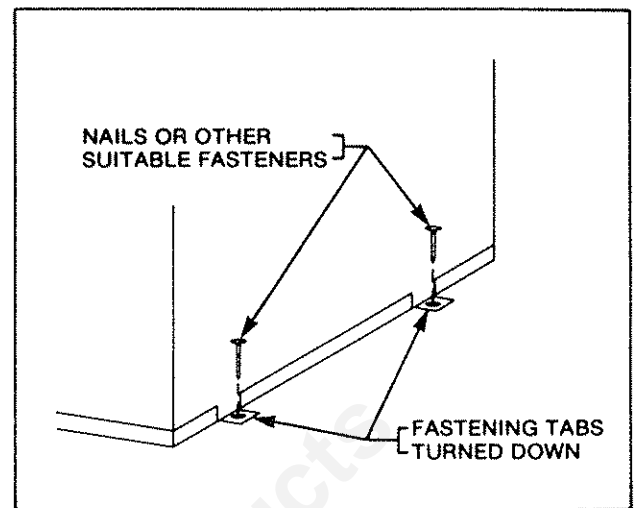


Fig. 4. Fasten fireplace in position using the four fastening tabs.

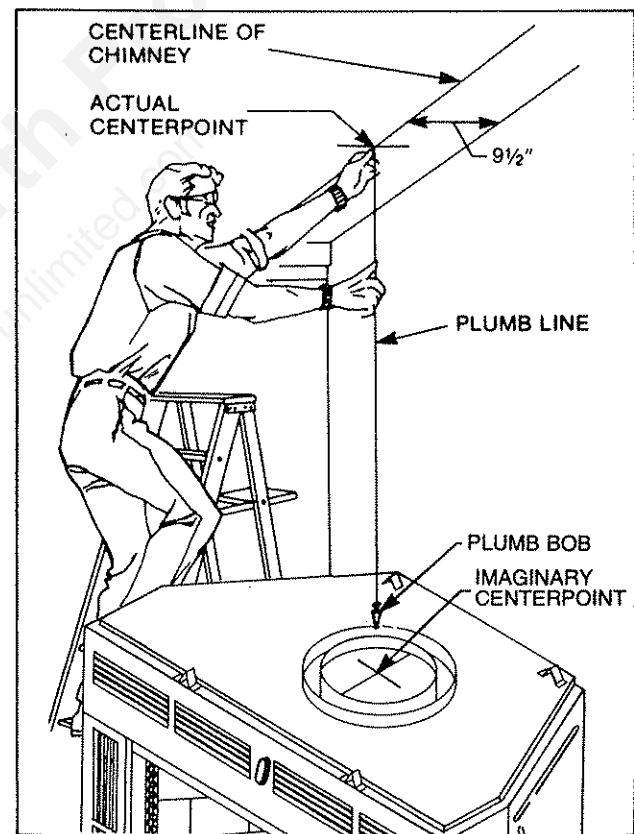


Fig. 5. Locate center point of chimney with plumb line.

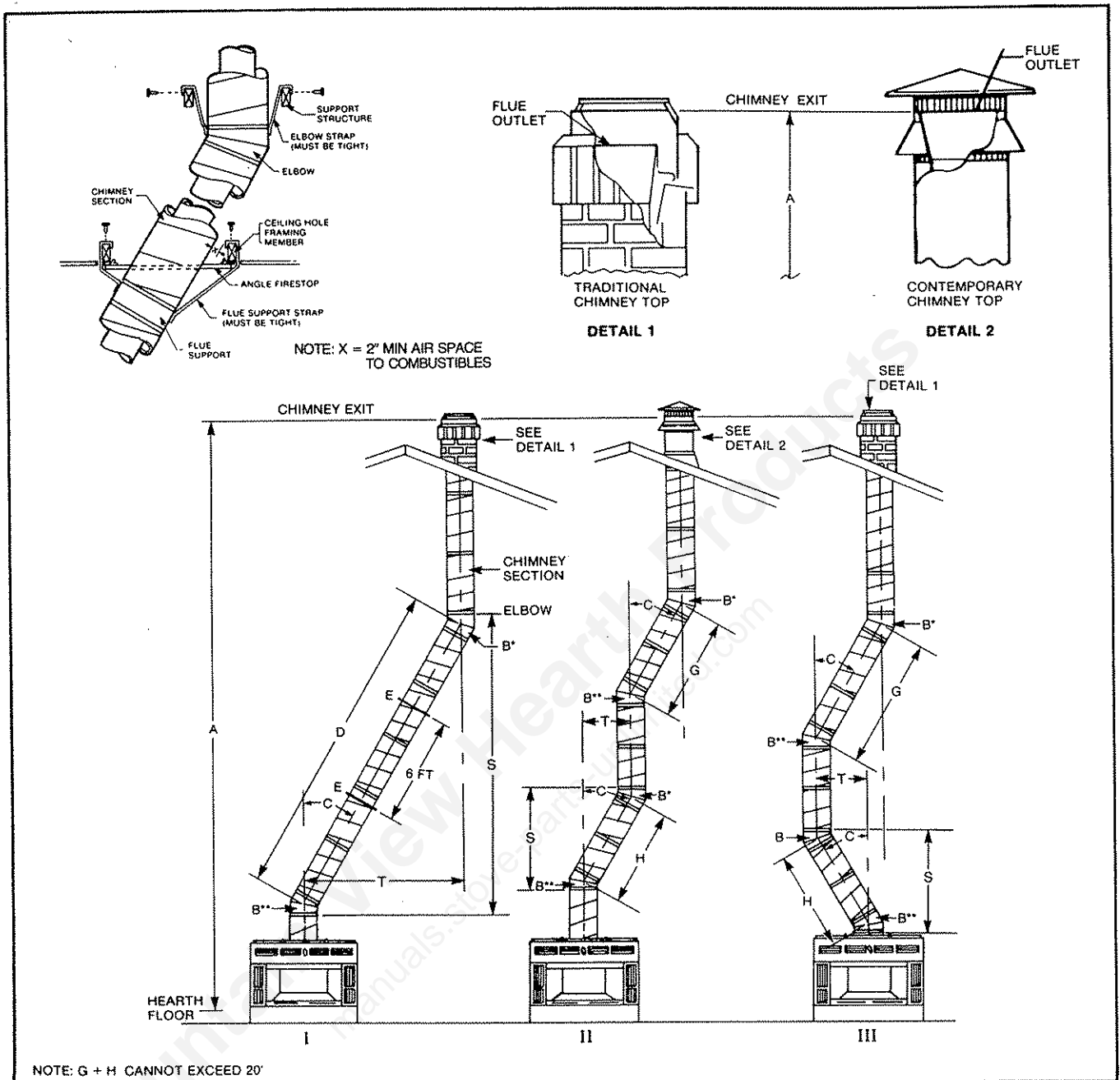


Fig. 6. Typical offset installations.

The following **safety rules** apply to offset installations. (The letters below match the letters in Fig. 6).

A. Height of the chimney measured from the hearth to the chimney exit at top:

Maximum —	50 Feet
Minimum —	12 Feet 6 Inches Without Elbows
	12 Feet 6 Inches With Two Elbows
	21 Feet 0 Inches With Four Elbows

B. *Do not use more than four elbows per chimney. Attach the straps of the top elbows to a structural framing member.

** The first elbow installed directly on the fireplace does not have straps.

C. The chimney cannot be more than 30° from the vertical plane.

D. The maximum length of the angled run of the total chimney system is 20 feet. (G plus H cannot exceed 20 feet.)

E. A chimney support (Model TCS8) is required every 6 feet of angled run of chimney. Chimney supports are required at 30 feet and 60 feet of chimney height above the hearth also.

Determine the offset distance of your chimney arrangement from the centerline of the fireplace to the centerline of the chimney where it is to pass through the first ceiling. NOTE: This offset distance may not be your full offset distance (T).

Locate on the ceiling the centerpoint of the chimney, as though a straight up chimney arrangement is to be used, by following the procedure outlined in Step B-1. Then measure your offset dimension from the straight up chimney centerpoint on the ceiling. (Fig. 7.)

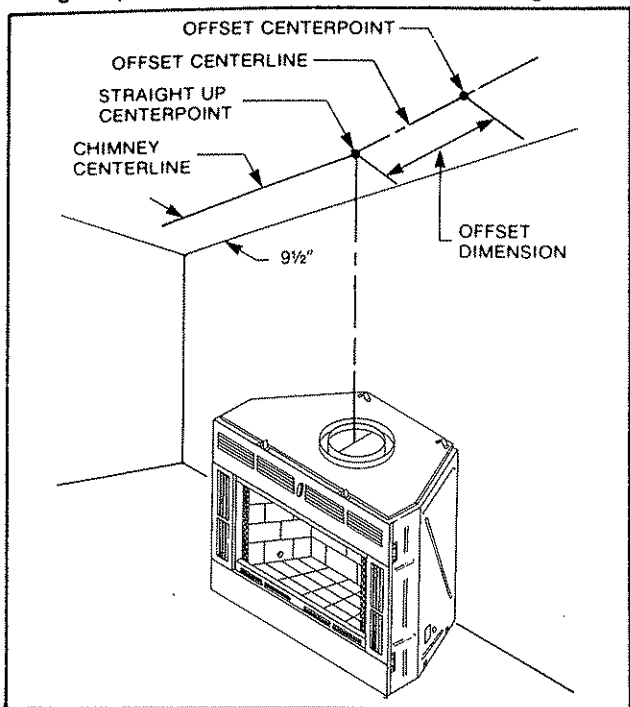


Fig. 7. Measure first ceiling offset distance from straight up centerpoint.

B-3. MARK AREA OF CEILING CHIMNEY HOLE

The size of the ceiling chimney hole will vary with the angle at which the chimney passes through the ceiling. Refer to Table 2*.

Drive a nail up through the ceiling at the marked chimney centerpoint. Go to the floor above and check where the hole will be cut, relative to the ceiling joists and any obstructions such as wiring or plumbing runs. If necessary, re-position the chimney and/or the fireplace to better accommodate these joists and/or obstructions.

B-4. CUT CEILING CHIMNEY HOLE

After covering the opening of the fireplace collar, cut the chimney hole through the ceiling. Recheck the hole to be sure that it measures the hole size selected from Table 2*.

B-5. FRAME CEILING CHIMNEY HOLE

Frame the ceiling chimney hole as shown in Fig. 8. It is good practice to use framing lumber that is the same size as the ceiling joists. (This is a requirement at the attic level).

The **inside dimensions** of the frame **must** be the same as the hole size selected from Table 2 in order to provide the required 2-inch air space between the outside diameter of the chimney and the edges of the framed ceiling hole.

Table 2. Sizes of Ceiling chimney hole.

Size of Chimney	Angle of chimney at ceiling		
	Vertical	15°	30°
8" flue	17½ x 17½	17⅞ x 22½	17⅞ x 29⅞

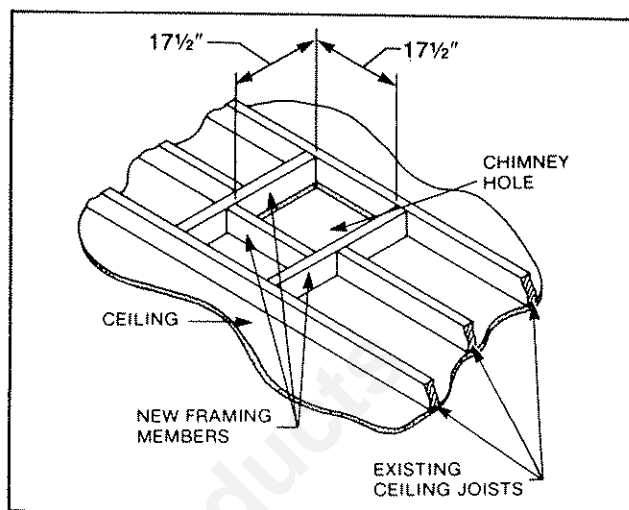


Fig. 8. Typical frame for ceiling chimney hole.

B-6. INSTALL FIRESTOP SPACER

Firestop spacers are required for safety. The hole sizes listed in Table 2* for angled firestop spacers provide the minimum required air space to the chimney pipe for ceiling thicknesses up to 8 inches. When the combined thickness of the ceiling material, ceiling joists and flooring material exceeds 8 inches, adjustments must be made in the framing to assure that the minimum air spaces to the chimney are maintained.

If the area above the ceiling is **not** an attic, position the firestop spacer with the flange on the ceiling side and the dished or angled portion extending up into the hole. If the area above the ceiling is an attic, position the firestop spacer with the flange on the top of the framed hole and the dished or angled portion extending down into the hole. (See Figs. 9 & 10.)

Nail each corner of the firestop spacer to the framing members of the ceiling hole. NOTE: A firestop spacer is not required at the roof.

Table 3. Firestop model numbers.

TYPE FLUE	TYPE OF SPACER	MODEL NO.
8" straight	Dished	FS2A
8" 15° inclined	Angled	FS9A
8" 30° inclined	Angled	FS6A

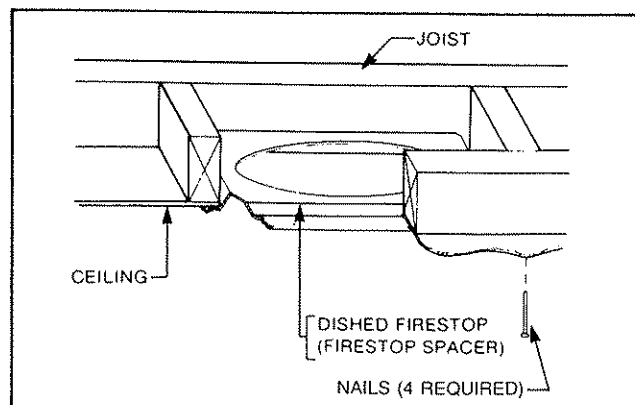


Fig. 9. Position of firestop when area above ceiling is not an attic.

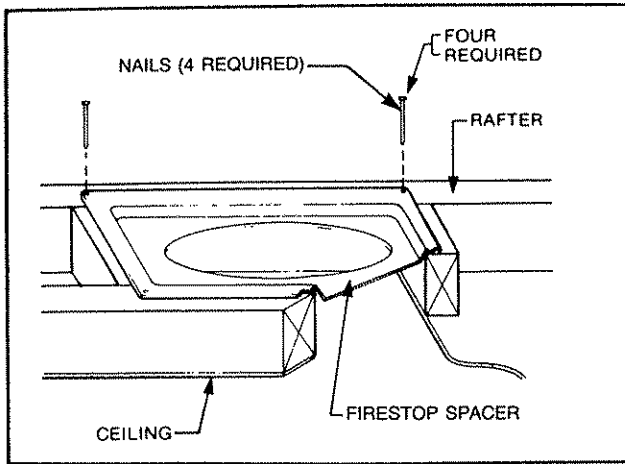


Fig. 10. Position of firestop when area above ceiling is an attic.

□ B-7. ATTACH CHIMNEY SECTIONS

Attach the first straight chimney section to the fireplace collar, or elbow if offset installation, (refer Step B-8). Mount the flue pipe first, using the built-in snap-lock fasteners. (See Fig. 11.) Then mount the the outer pipe. Position each pipe section so the direction arrow is pointing UP.

Make sure each pipe is firmly snapped and locked together as it is mounted.

Continue installing chimney sections until ONE SECTION (all pipes) extends up through the ceiling hole. To extend through the ceiling, it may be necessary to assemble all pipes, push them up through the ceiling hole and then slide them down one at a time to connect them.

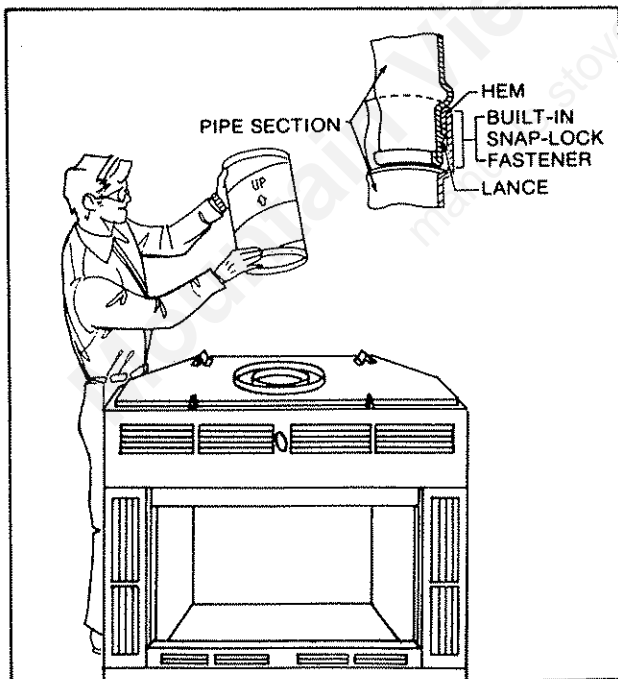


Fig. 11. Use built-in snap-lock fasteners to attach chimney pipe sections.

□ B-8. ATTACH FIRST ELBOW — OFFSET INSTALLATION

If the first elbow is not to be attached to the fireplace, install chimney sections as required.

Attach first elbow where required. Note that only the outer pipe snap-locks.

Attach the straps of all upper elbows to a structural framing member. However, the straps for an elbow installed directly on the fireplace collar do not have to be attached.

After each elbow is installed, tighten machine screws and nut at drawband clamps at the bottom of each elbow outer pipe, ensuring clamps are tightened firmly until cut edge overlays a portion of the alignment bead. See Figure 12.

CAUTION: FAILURE TO TIGHTEN CLAMPS MAY CAUSE A FIRE HAZARD.

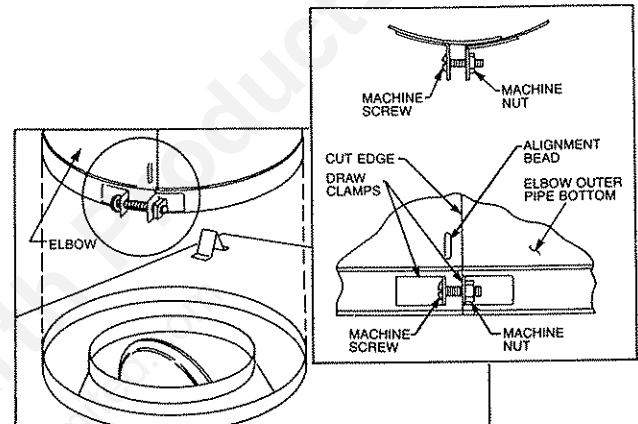


Fig. 12. Attach one-piece elbow to fireplace collar or chimney section.

□ B-9. DETERMINE HOW MANY CHIMNEY SUPPORTS ARE NEEDED

The chimney system is supported by the fireplace for chimney heights less than 30 feet of vertical height above the hearth. Chimney supports are required if the chimney height exceeds 30 feet. Locate chimney supports at ceiling holes or other structural framing at 30 foot heights. Spacing between chimney supports must not exceed 30 feet. Use MAJESTIC Chimney Support Model TCS8. (Note: The TCS8 can not be mounted directly to the fireplace.) Support provided by elbow straps fulfills the support requirement only if they are spaced as required above.

Angled chimney runs require support every 6 feet in addition to the elbow straps. MAJESTIC Chimney Supports are used for this function.

Refer to Step B-2 to determine how many chimney supports are needed and where they will be placed in the chimney run.

NOTE: A chimney support is 3 inches long when installed. This dimension must be considered when determining how many straight chimney sections are needed to provide the desired offset.

□ B-10. INSTALL CHIMNEY SUPPORTS

Chimney supports are attached to chimney sections the same way elbows are attached. Refer to Step B-7. Nail the chimney support straps to adjacent structural framing, as shown in Fig. 13. Bend the straps as necessary and make sure they are tight so they will be able to support the weight of the chimney.

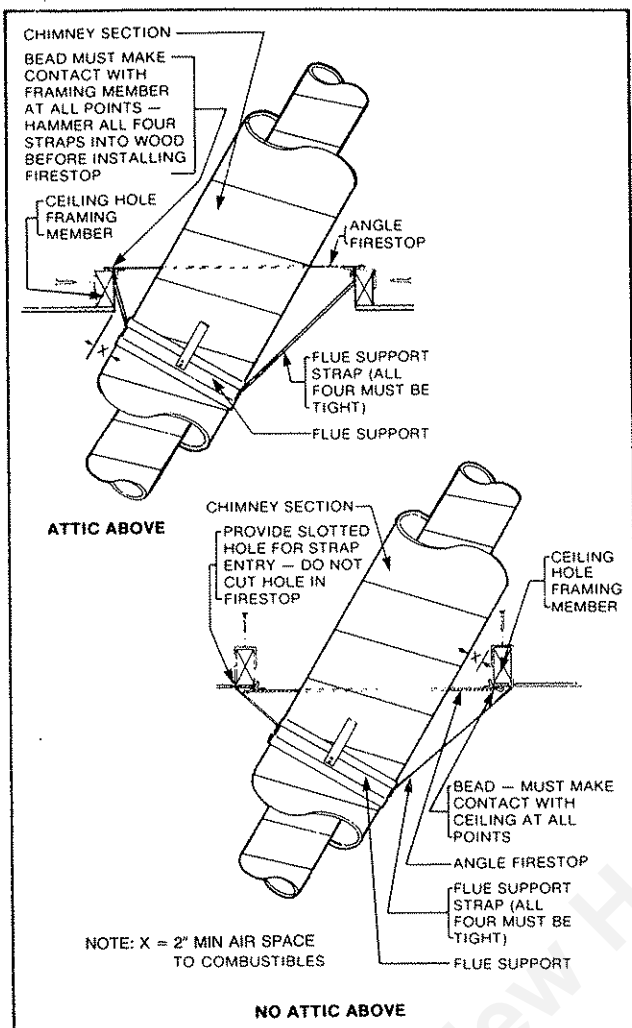


Fig. 13. Mount flue supports at ceiling hole frames or other structural framing.

B-11. LOCATE CENTERPOINT OF NEXT CEILING HOLE

NOTE: If there is no other ceiling, you have completed Section B. Turn now to Section C, *Penetrating the Roof*.

In a manner similar to that used in Steps B-1 and B-2, mark the centerpoint of the next ceiling hole.

- B-12. PREPARE SECOND CEILING HOLE**
Repeat Steps B-3, Mark area of ceiling chimney hole; B-4, Cut ceiling chimney hole; B-5, Frame ceiling chimney hole; and B-6, Install firestop spacer.

B-13. CONTINUE INSTALLING CHIMNEY SECTIONS

Continue installing chimney sections and chimney supports, (as required), until the chimney passes through the second ceiling hole.

NOTE: Repeat Steps B-11 through B-13 as many times as necessary to pass through all the ceilings in the building and bring the chimney just short of the roof.

C. Penetrating the Roof

The chimney system must be vented out-of-doors and must be terminated in an approved MAJESTIC top termination.

NOTE: If you are using a chase, go to Section D.

C-1. LOCATE CHIMNEY CENTERPOINT AT ROOF

Use the same procedure detailed in Steps B-1 and B-2.

Drive a nail up through the roof at the marked centerpoint. This will mark the centerpoint on the outside of the roof.

C-2. CUT AND FRAME ROOF HOLE

The size of the roof hole varies with the type of chimney top that will be installed. Refer to the installation instructions provided with your MAJESTIC chimney Top Termination to find the correct size of roof hole for this installation.

There must be at least 2-inch air space between the outermost portion of the chimney sections and any adjacent combustible (burnable) surfaces.

WARNING: DO NOT PACK REQUIRED AIR SPACES WITH INSULATION OR OTHER MATERIALS.

(Combustible surfaces include such things as ceiling members, joists, flooring, combustible insulation and roof structures.)

Mark the outline of the roof hole around the centerpoint nail. **Note:** The hole dimensions given in the chimney top installation instructions are **horizontal** dimensions; therefore, the hole size must be marked on the roof accordingly.

Cover the opening of the installed chimney.

Cut and frame the hole. It is good practice to use framing lumber that is the same size as the rafters. **Install frame securely. Chimney top and flashing anchored to frame must withstand heavy winds.**

C-3. DETERMINE MINIMUM CHIMNEY HEIGHT ABOVE ROOF.

Major U.S. building codes specify minimum chimney height above the roof top. These specifications are summarized in the *Ten Foot Rule*. (See Fig. 14). The key points of this rule are:

1. If the horizontal distance from the center of the chimney to the peak of the roof is 10 feet or less, the top of the chimney must be at least 2 feet above the peak of the roof but never less than 3 feet in height above the highest point where it passes through the roof.
2. If a horizontal distance from the center of the chimney to the peak of the roof is more than 10 feet, a chimney height reference point is established that is on the surface of the roof a distance of 10 feet from the center of the chimney in a horizontal plane. (See Fig. 14). The top of the chimney must be at least 2 feet above this reference point, but never less than 3 feet in height above the highest point where it passes through the roof.

These chimney heights are necessary in the interest of safety and do not assure a smoke-free operation.

C-4. INSTALL REMAINDER OF CHIMNEY SECTIONS

Continue installing chimney sections up through the roof hole. Check your chimney top installation instructions for data on how high above the rooftop the CHIMNEY SECTIONS (all pipes) should go.

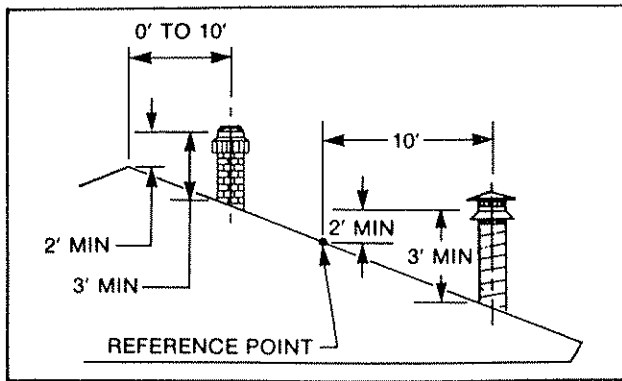


Fig. 14. Ten foot rule for chimney height.

C-5. INSTALL CHIMNEY TOP HOUSING OR TERMINATION

Follow the installation instructions provided with the MAJESTIC chimney top you have selected. Then proceed to *Framing and Finishing* Section G.

D. Installing Chimney in a Chase

A chase is a vertical box-like structure built to enclose the fireplace and/or its chimney.

CAUTION: Treatment of firestop spacers and construction of the chase may vary with the type of building. These instructions are not substitutes for the requirements of local building codes. Therefore, your local building codes must be checked to determine the requirements for these steps.

NOTE: Other material may be required in addition to MAJESTIC Firestop Spacers.

When installing a MEC36 fireplace in a chase, it is always good building practice to **insulate the chimney chase as you would an outside wall of your home**. This will greatly reduce outside air from entering the room in which the fireplace is located and will also prevent a cold fireplace surround.

When locating the fireplace in an insulated chase, marked air spaces must be maintained to the insulation.

Refer to *Framing and Finishing* on page 10. Upon completion of building your chase frame, install the chimney system. Follow the instructions for *Installing the chimney* starting on page 4. Then proceed to Step D-1.

D-1. INSTALL FLASHING AND CHIMNEY TOP

Follow the installation instruction provided with the MAJESTIC chimney top you have selected.

Then proceed to *Framing and Finishing*, Step G-1.

E. Install the Electrical Connection (MEC36F only)

E-1. ELECTRICAL CONNECTION

The MEC36F Fireplace has factory installed fans requiring electrical connection at the time of installation.

CAUTION: All wiring should be done by a qualified electrician and shall be in compliance with all local, city and state building codes.

E-2. MEC36F ELECTRICAL POWER

The fans require 120 VAC, 60 Hz power available at each side of the fireplace. The power should

be available to the fireplace through a single Listed 15 AMP, 125 V wall switch. (Switch not provided.)

E-3. INSTALLATION OF FIELD WIRING

Two junction boxes are provided with the fireplace. Before installing the junction box to the fireplace, route the field supplied wiring from the switch box to the junction box in accordance with local electrical codes. Be sure wiring does not contact outer fireplace surfaces and support wiring in a manner that will assure clearance from the fireplace components. If conduit is to be connected, it is advisable to mount the junction box and obtain access through the service access panel. See E-5.

Insert 120 V, 60 Hz power lines through either knockout in the back or side of the junction box. **(NOTE:** The smaller edge of the junction box should be positioned toward the front of the fireplace. This will leave the knockout to the rear of the fireplace.) The ground wire from the power should be attached to the ground stud in the back of the junction box with one of the supplied retaining nuts, and the green ground wire from the fan should also be attached to the ground stud using a second retaining nut.

Using the supplied wire nuts, connect the ends of the white and black power leads to the fan leads, (See Wiring Diagram, Figure 15), making sure the wire nuts are tight to the leads.

E-4. INSTALL JUNCTION BOX ON FIREPLACE

Insert tab from cover plate into slot on base of junction box. Rock junction box back so tabs on base of junction box fit between cover plate and outer casing of fireplace as shown in Figure 16. Rock the box forward and secure top of box to fireplace with sheet metal screw provided.

Repeat Steps 3 and 4 for remaining junction box, mounting it to the opposite side of the fireplace.

Electrical connection for fans is now complete.

E-5. SERVICING FANS AFTER INSTALLATION

For servicing fans after installation, access is gained by removing the hearth slabs and side brick from combustion chamber of the fireplace.

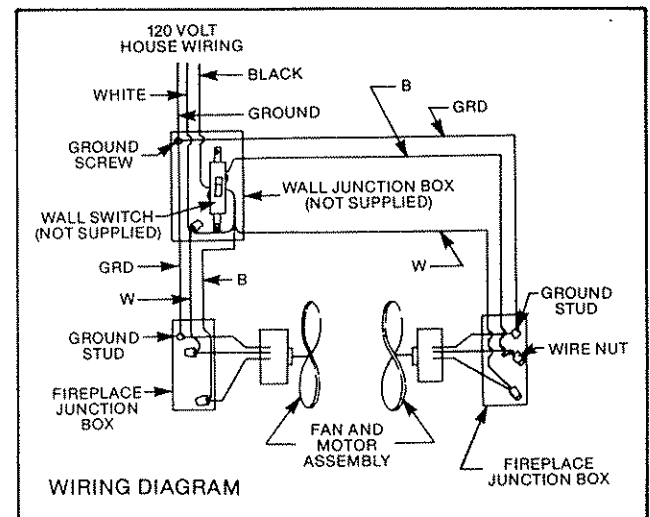


Fig 15

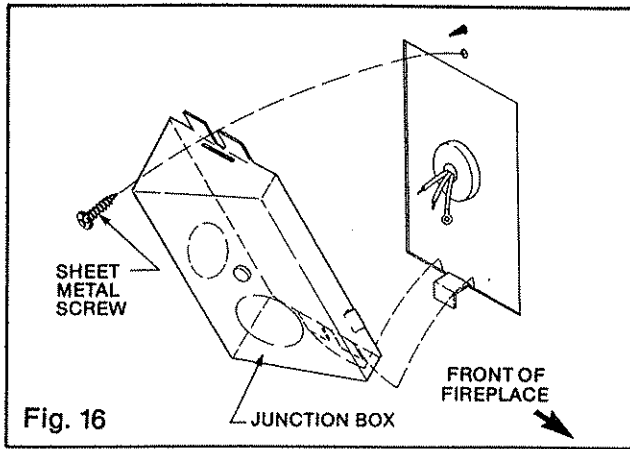


Fig. 16

The first step in removal of the bricks is to remove the hearth slabs by carefully inserting a screw-driver between the two slabs and lifting one slab upward and out. After one side is removed, remove remaining slab. (See Fig. 17).

Next, remove the side brick liners. Remove the 2 screws holding the smoke shelf retainers to the combustion casing. Loosen the four screws retaining the smoke baffle two turns each so the smoke baffle can hinge on the screws. Grasp one of the side bricks and slide forward, swinging the rear edge inward until it clears the back brick. With both hands, maneuver the brick liner out of the fireplace. Remove both side bricks in this manner. The metal access cover is now exposed. Remove the four screws to allow access to the fans and wiring box. Reinstall all components in the reverse order of removal.

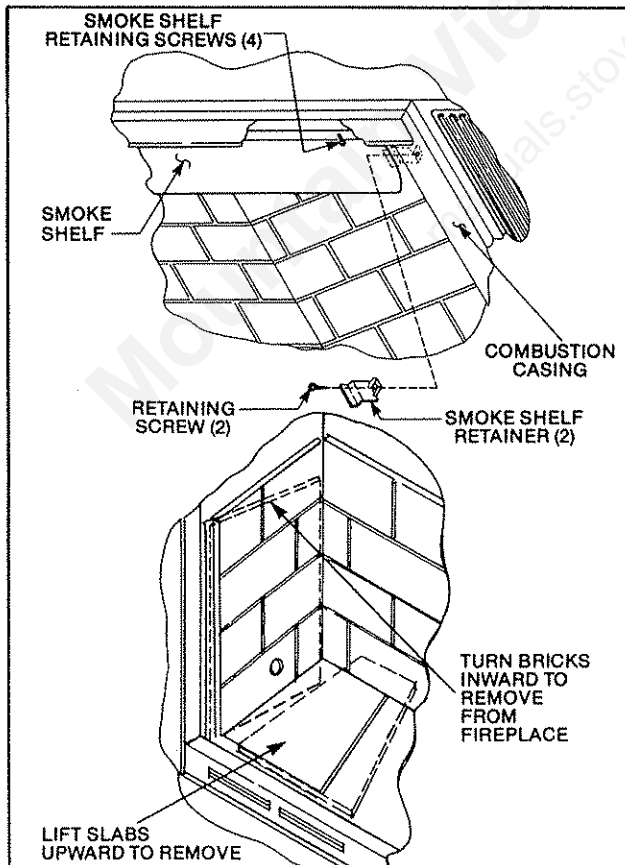


Fig. 17

F. Installing Optional Outside Air Kit and Fan Kit

F-1. INSTALL OUTSIDE AIR KIT

Install outside air kit if desired or required by local code. Refer to MAKE-4 installation instructions supplied with the kit.

F-2. INSTALL FAN KIT

Refer to MEF or JB Kit installation instructions supplied with the kit. Electrical connections must be made by a licensed electrical technician or electrician.

Later addition of outside air and fans (without JB Kit) will require significant reconstruction. These accessories should be installed at the time of original installation of the fireplace.

G. Framing and Finishing.

G-1. DETERMINE WHEN TO INSTALL FRAMING

Fireplace framing can be built before or after the fireplace is set in place. Fig. 18 shows the minimum framing dimensions.

G-2. BUILD FRAMING

The fireplace framing should be constructed of 2 x 4 lumber or heavier. Refer to *Framing Data* on page 13 for basic fireplace dimension that will affect the framing dimensions.

The header may rest on the fireplace standoffs.

Framing should be positioned to accommodate wall covering and fireplace facing material. See Figs. 23 & 24 for typical arrangements. Nailing flanges provided on the side of the fireplace can be used to position the fireplace for a 5/8" finished wall covering, as well as anchor the fireplace. Using pliers, bend out the two (2) nailing flanges on each side, parallel with the fireplace surround. Nail through the flanges into the vertical framing members. (See Fig. 18)

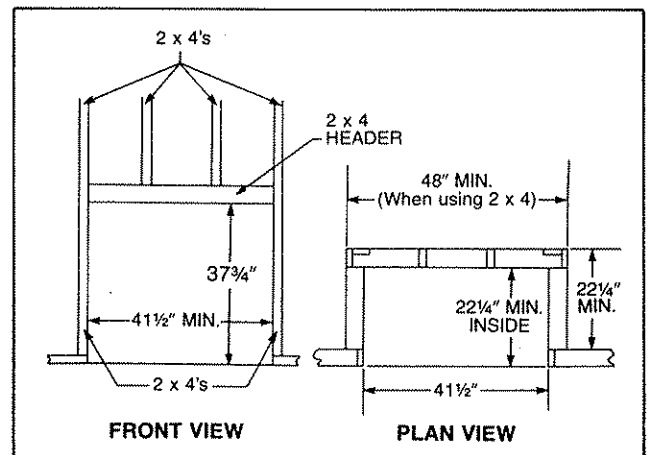


Fig. 18. Minimum fireplace enclosure dimensions.

Caution: All joints between the finished wall and the fireplace surround (top and sides) must be sealed with non-combustible material. Only non-combustible material may be applied as facing to the fireplace surround.

G-3. FINISH WALL

Finish the wall with material of your choice. **Do not install a combustible mantle or other combustible projection less than 12 inches above the outlet grille.** If a combustible material is used, consult your local building codes for the minimum clearance from the top of the fireplace opening to the bottom of the mantel.

All joints, (top, bottom, and sides) where the wall or decorative facing material meets the fireplace surround must be completely sealed with a non-combustible material. See Figs. 20 and 21.

When finishing the fireplace, never obstruct or modify the air inlet/outlet grilles in any manner.

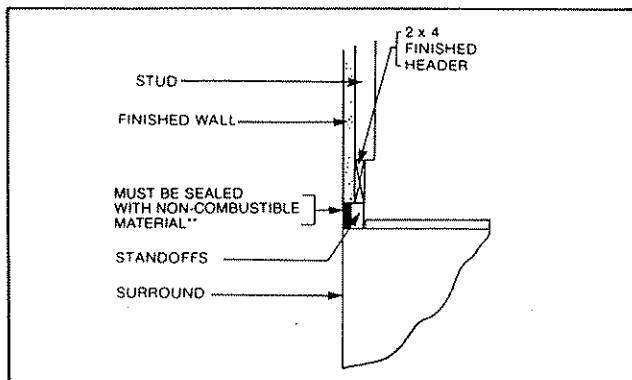


Fig. 19. Fireplace surround flush with finished wall.

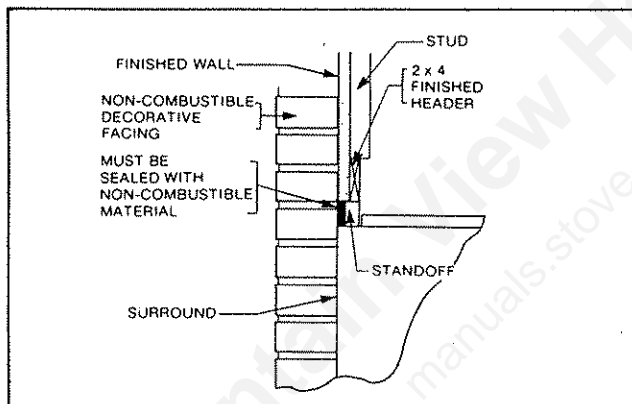


Fig. 20. Fireplace surround flush with finished wall.

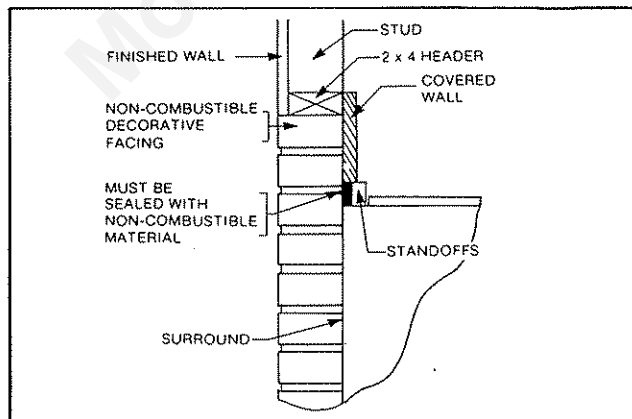


Fig. 21. Facing on fireplace surround flush with finished wall.

G-4. ADD PROTECTION TO SIDE WALLS

Adjacent combustible side walls that are within 24 inches of the fireplace opening must be protected with MAJESTIC Wall Shield Model SP40 or Majestic Specification 74-10-102A. See Fig. 24.

Contact the Majestic Company, Huntington, Indiana 46750, Attention: Director of Customer Service to obtain specification 74-10-102A.

NOTE: For fireplaces installed at 45° to two sidewalls, (corner installation), no side wall protection is required.

G-5. INSTALL HEARTH EXTENSION

A hearth extension is required to protect combustible floor construction in front of the fireplace, and it must be a MAJESTIC Hearth Extension Model EH36A or Majestic Specification 74-10-102A. (See Fig. 24).

Contact the Majestic Company, Huntington, Indiana 46750, Attention: Director of Customer Service to obtain specification 74-10-102A.

Secure the hearth extension to the floor to prevent shifting, using trim moulding or other similar means at the three outer edges. **Seal the crack between the fireplace hearth and the hearth extension with a non-combustible material.** See Figs. 22 and 23.

WARNING:
HEARTH EXTENSION MUST BE INSTALLED IN ACCORDANCE WITH FIGURES 22 OR 23 OR MAJESTIC SPECIFICATION 74-10-102A.

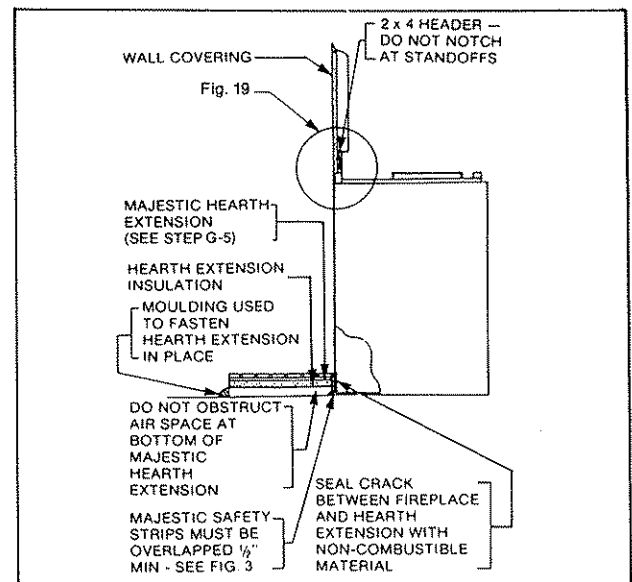


Fig. 22. Sealing detail.

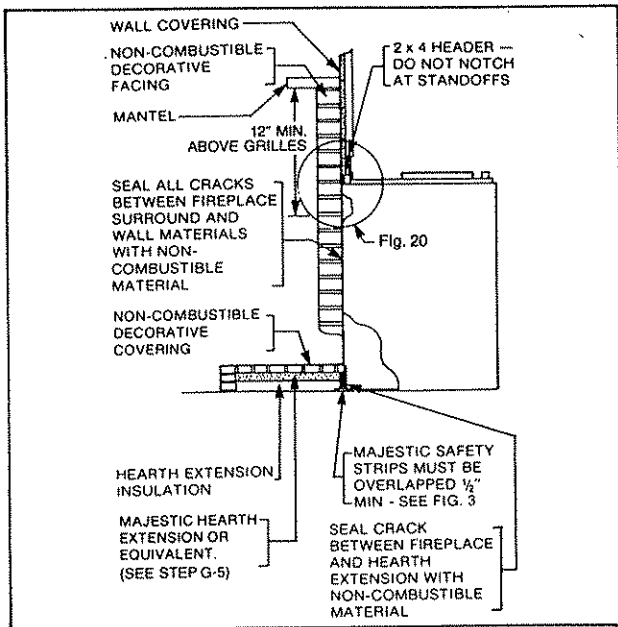


Fig. 23. Sealing detail.

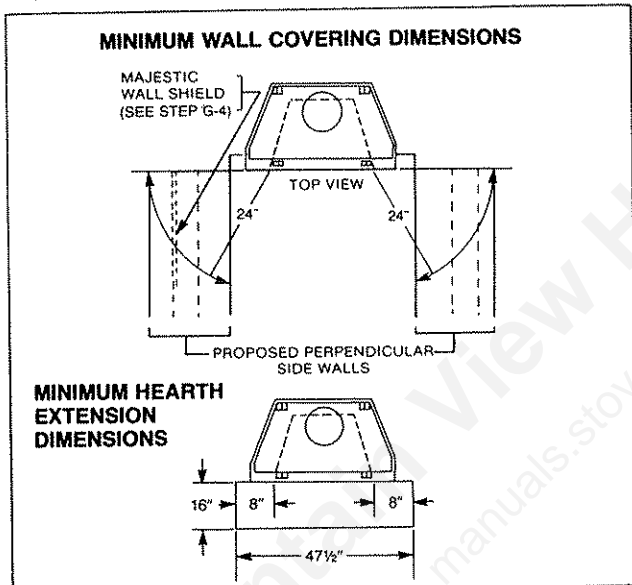


Fig. 24. Protection of adjacent combustible side walls and hearth extension dimensions.

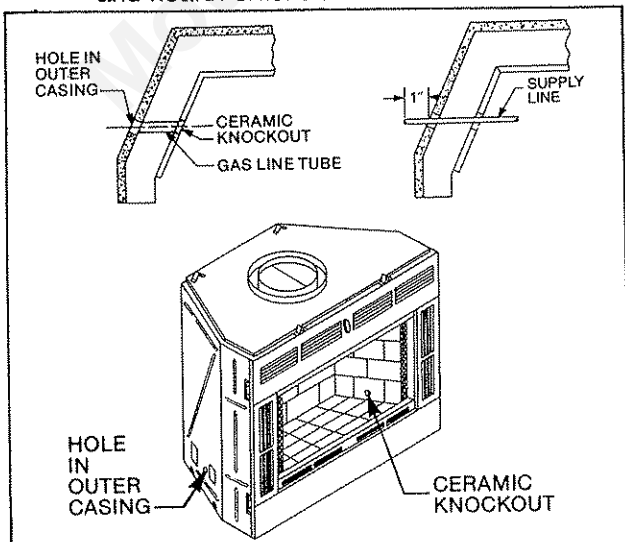


Fig. 25. Install iron pipe gas line through provided hole in both sides of fireplace.

G-6. INSTALL DECORATIVE GAS APPLIANCE

The Majestic MEC fireplace is designed to accept a 1/2-inch gas line for an approved gas appliance. Have the appliance installed by a qualified plumber in accordance with all building codes. The gas connection may enter from either side of the fireplace. The following instructions apply to the side selected.

Locate the gas line hole in the outer casing of the fireplace and remove the insulation from the gas line tube. Refer to Figure 25.

Next, insert a 1/2-inch gas pipe through the gas line tube from the outside of the fireplace and forcibly punch out the ceramic knockout on the inside of the fireplace.

Now, install the 1/2-inch gas pipe through the opening. It is recommended that a pipe union be used just inside the ceramic liner to aid in removal of the slab to service fans. After the gas pipe installation is complete, use the insulation that was removed from the gas line tube to repack the space around the pipe. This should be inserted from the outside of the fireplace and packed tightly to totally seal between the pipe and the tube.

NOTE: The gas pipe should not come in contact with any wood structures until it has reached a point at least one (1) inch away from the fireplace side. See Figure 25 for installation clarification.

NOTE: Local codes may require removal of the flue damper when installing any type of gas appliance in a fireplace. For instructions on damper removal, refer to Majestic instruction BF151. Heat output of a gas appliance installed in the fireplace should be rated less than 100,000 BTU/Hr.

The gas pipe installation is intended for connection to a decorative gas appliance only, in accordance with the National Fuel Gas Code, ANSI Z223.1-1980.

CAUTION: WHEN USING DECORATIVE GAS APPLIANCE, THE FLUE DAMPER MUST BE SET IN THE FULLY OPEN POSITION.

Reference Data

AIRSPACE DATA

Any MAJESTIC MEC36 Series Fireplace can be located directly on a flat hard-surfaced combustible floor, against a combustible wall or on a wooden platform without air space from combustible construction. Some protection, however, is required for adjacent surfaces as detailed in Fig. 26.

Framing members can be placed directly against the side and back of the fireplace.

The minimum air space-to-combustibles requirements for chimney sections and dome are detailed in Fig. 26.

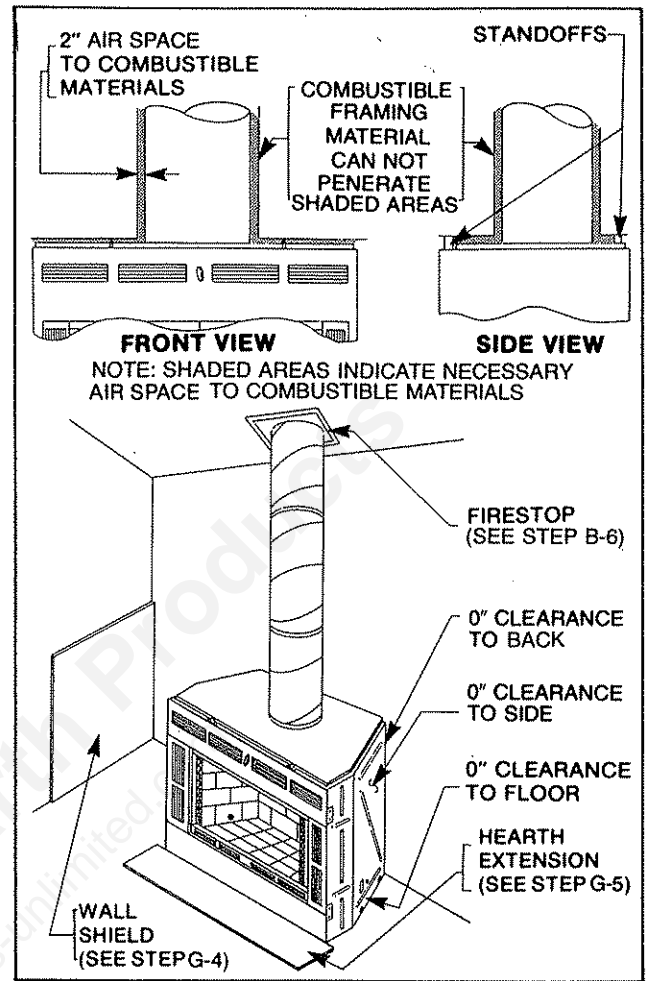


Fig. 26. Minimum air spaces to combustible materials.

FRAMING DATA

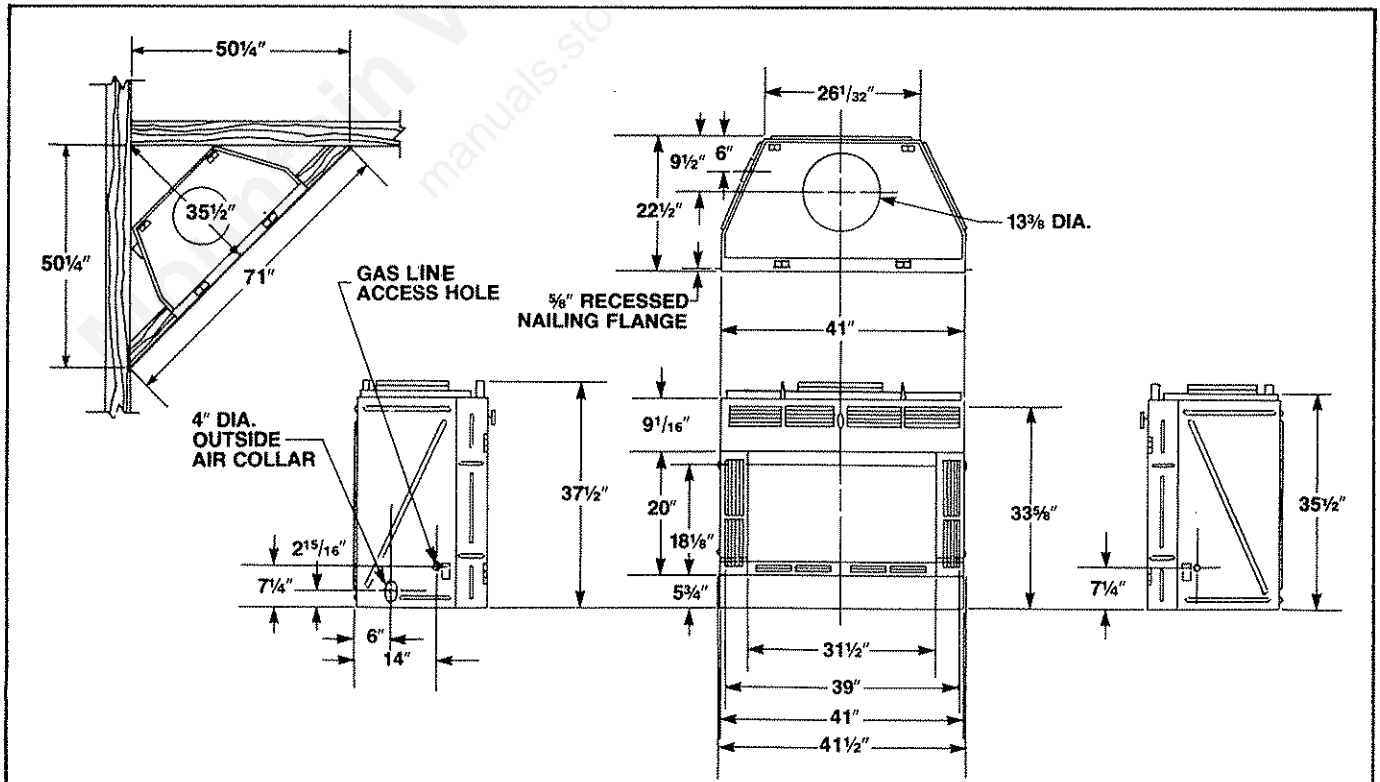
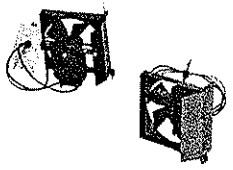
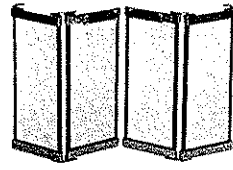
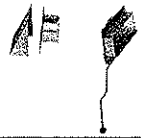
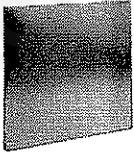

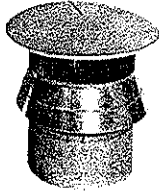


Fig. 27. Dimensions of MEC36.

Accessory Parts

The following accessory parts can be obtained from your Majestic Dealer. The fan kit, top terminations, outside air kit, glass doors, and hearth patching kit are supplied with installation instructions packaged with the unit. Should you need additional information beyond what your dealer can furnish, contact the Majestic Company, Huntington, Indiana 46750, Attention: Director of Customer Service.

CAUTION: This fireplace and chimney assembly is a highly engineered system and, as such, must be operated only with Majestic approved components that have been designed as parts of the system. If you use an unapproved component or make any modifications, you may possibly cause a fire hazard and will void the Majestic warranty. In addition, such action may void the coverage provided by the owner's home insurance.

Accessory	Description	Model No.
<p>Fan Kit</p> 	<p>Designed for use with the fireplace to provide forced airflow. Two each of the fans, junction boxes, and cover plates (for access hole) are included.</p>	<p>MEF <i>n/a</i></p>
<p>Glass Enclosure Kit</p> 	<p>Designed to enclose the MEC36 fireplace opening with glass doors, allowing the fire to remain visible.</p>	<p>MEG36 <i>n/a</i></p>
<p>Outside Air Kit</p> 	<p>Designed to provide outside air for fuel combustion in the firebox. This accessory must be installed before the fireplace is installed.</p>	<p>MAKE-4</p>
<p>Junction Box Kit</p>	<p>Junction Box for prewiring of MEF.</p>	<p>JB Kit</p>
<p>Wall Shield</p> 	<p>Used to protect walls adjacent to the fireplace.</p>	<p>SP40</p>
<p>Hearth Extension</p> 	<p>Located on the floor in front of the fireplace opening to protect the floor from heat, hot embers, ashes, etc.</p>	<p>EH36A</p>
<p>Contemporary Round Top Termination</p> 	<p>Used to terminate chimney on the roof. Flashing not included.</p>	<p>CFT8C (8" flue)</p>