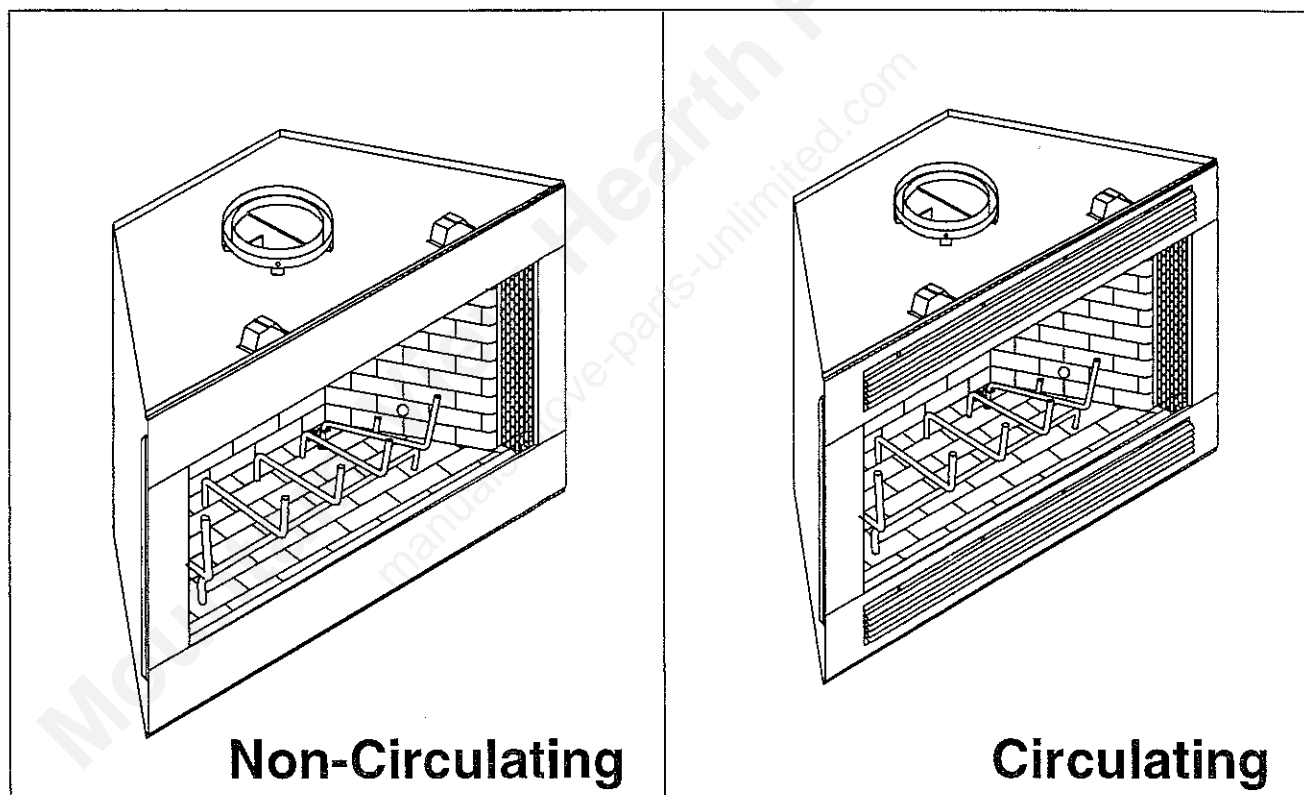


INSTALLATION MANUAL



**MODELS: R36A/RC36A
MR42A/MRC42A
Factory Built Fireplaces**



IMPORTANT: Read all instructions carefully before starting installation. Failure to follow these installation instructions may result in a possible fire hazard and will void the MAJESTIC warranty.

Save this manual for future reference.

**For Use In
U.S./CANADA**

MAJESTIC[®]
fireplaces

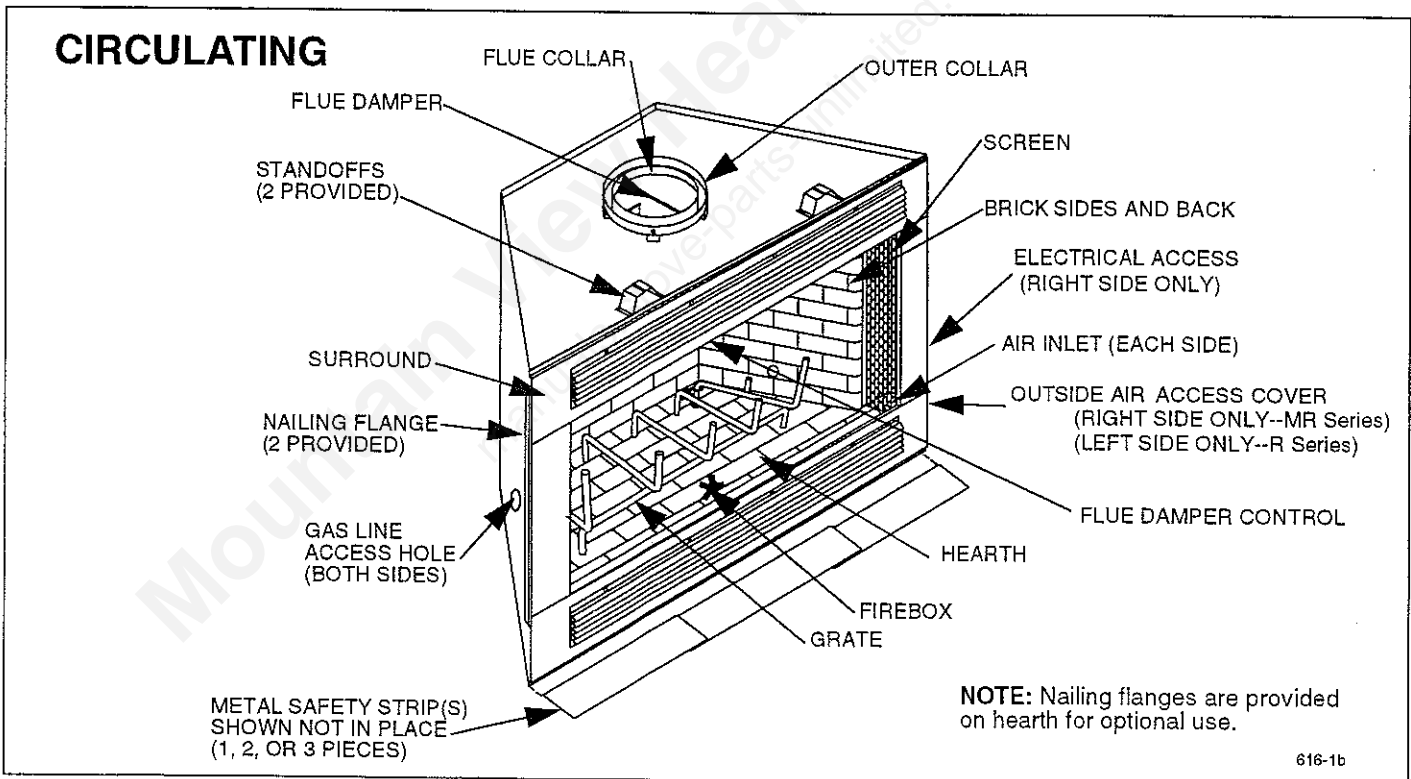
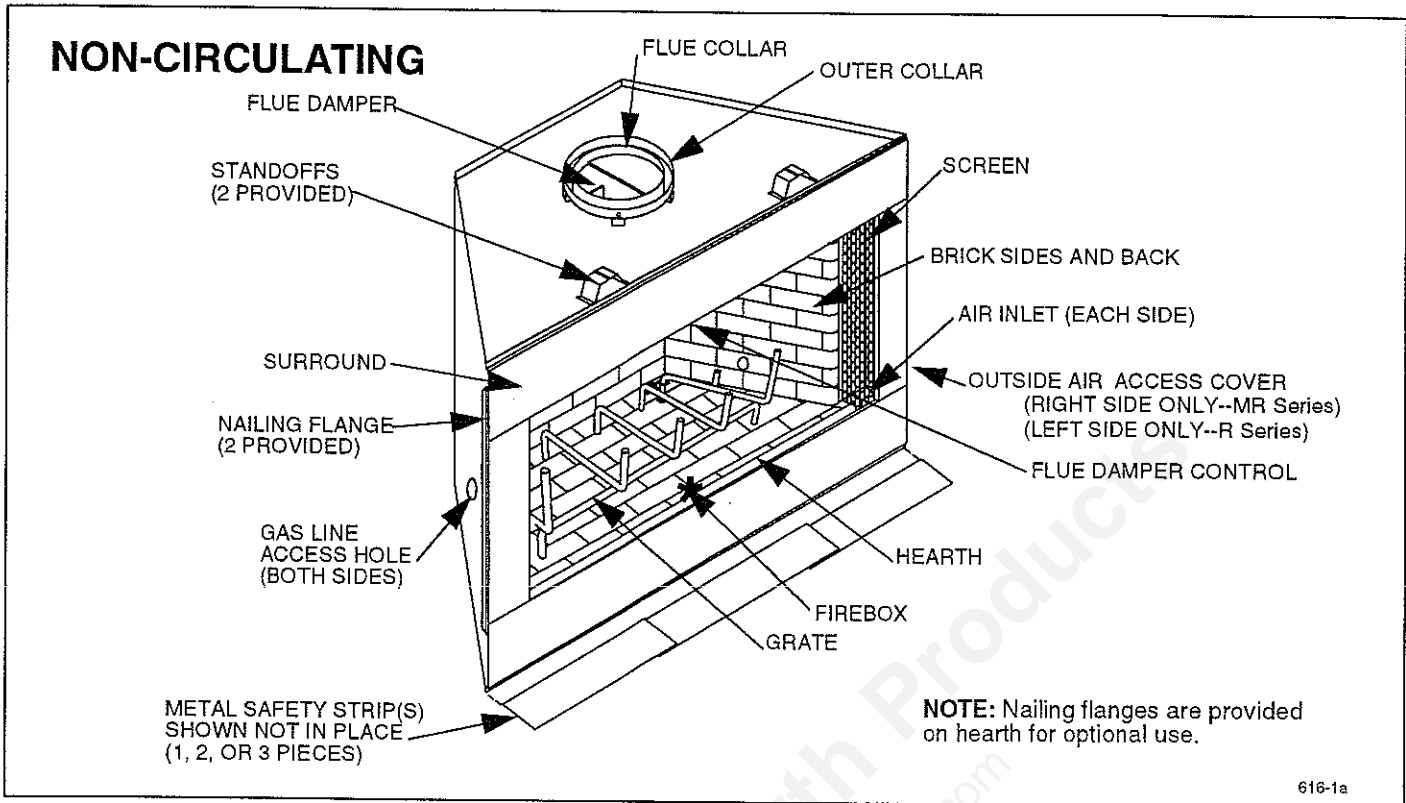


Fig. 1. Parts of the MAJESTIC Non-Circulating and Circulating Models.

Table of Contents

	Page
Identification of Parts	2
Installation Precautions	3
Installation Instructions	3
Reference Data	14
Accessory Parts	16

INSTALLATION PRECAUTIONS

This MAJESTIC Fireplace and its components have been tested and will operate safely when installed in accordance with this Installation Manual. Read all instructions **before** starting installation, then follow these instructions carefully **during** installation to insure maximum fireplace benefit and safety.

Report to your dealer any parts damaged in shipment.

Since this fireplace and chimney assembly is a highly engineered system, **unless** you use components which have been designed for the system, you may possibly cause a fire hazard.

The MAJESTIC warranty will be voided by, and MAJESTIC disclaims any responsibility for the following actions:

- Installation of any damaged fireplace or chimney component;
- modification of the fireplace, chimney assembly or any of the component parts thereof; (except for chase flashings as detailed in Majestic Chimney Top installation instructions).
- Installation other than as instructed by MAJESTIC; or
- Installation and/or use of any component part not manufactured or approved by MAJESTIC in combination or assembly with a MAJESTIC fireplace system, notwithstanding any independent testing laboratory or other third party approval of such component parts or accessory.

Any such action may possibly cause a fire hazard.

Consult your local building codes.

This fireplace and chimney system must be vented out-of-doors.

Do not obstruct or modify air inlets/outlets in any manner. (See page 11.)

Do not install combustible materials onto the black fireplace surround.

Burn solid wood fuel only.

Do not install a fireplace insert or other products not specified for use with this fireplace.

The MR42A/R36A and MRC42A/RC36A units are not approved for installation in mobile homes

When installing Model SK8, 2-Wall Chimney System, a 1 inch minimum thickness of Majestic EH2416 Hearth Extension Material or equivalent, **MUST** be used (see Step H-5).

When installing Model S, 3-Wall Chimney System, a 1/2 inch minimum thickness of Majestic EH2416 Hearth Extension Material or equivalent, can be used (see Step H-5)

Prior to first firing, read Owner's Manual for operating instructions.

INSTALLATION INSTRUCTIONS

A. Installing the Fireplace

A-1. CHECK HOW ACCESSORIES ARE INSTALLED.

Determine where selected accessories fit into this fireplace installation procedure by checking the installation instructions provided with each accessory. See Accessory Parts, page 16.

NOTE: The outside air system or electrical junction box wiring for circulating models cannot be installed after the fireplace is installed.

A-2. DETERMINE FIREPLACE LOCATION.

The fireplace can be mounted on any of the following surfaces:

- 1) A flat combustible (burnable) surface.
- 2) A raised wooden platform.
- 3) On four (4) corners of the fireplace.
(Example: Four (4) concrete masonry blocks.)

These supports must be positioned so they contact the perimeter edges on the bottom of the unit.

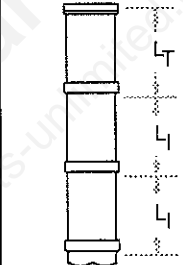
The fireplace **must** be spaced 3/4 inch from a combustible back wall and 7/16 inch from a combustible side wall.

Nearby combustible floors and walls must be protected as detailed in Section H.

Refer to *Air Space Data and Dimensions* on pages 14 and 15 to be sure that the location which you have selected for your fireplace provides for clearance and framing restrictions.

At this point you should have decided what components to include in your installation, where the fireplace is to be located, and how the chimney will be routed to the roof (straight-up, offset, or chase*). If this has not been done, stop and consult your Majestic Dealer for assistance with this planning.

*A chase is a vertical box-like structure which encloses the fireplace and/or its chimney, typically built on the outside of the house with the fireplace opening cut in the outer wall of the home.



MODEL SK8 2 WALL CHIMNEY	DIMENSIONS IN INCHES	
	TOTAL LENGTH (LT)	INSTALLED LENGTH (LI)
MODEL NO.		
SK81	11-1/2	10-1/2
SK82	17-1/2	16-1/2
SK83	35-1/2	34-1/2
SK84	47-1/2	46-1/2

Fig. 2. Installed lengths of chimney sections.

Note that the installed length of any chimney section is less than its total length (except for the last section installed), because of its overlap at joints. (See Fig. 2.)

A-3. INSTALL METAL SAFETY STRIPS UNDER FIREPLACE.

See Step G, Insulating Fireplace Enclosure for Cold Climates, before completing Step A-3.

Thoroughly clean intended fireplace location area. Move fireplace to the location where it is going to be installed. Lift fireplace front slightly to slide metal safety strip(s) under front bottom edge about 1-1/2 inches, allowing the remainder to extend out in front of the fireplace. Overlap the strips at least 1/2 inch to provide a positive joint. (See Fig. 3.) (Flat safety strips are packed with fireplace.)

In the event the fireplace is elevated above the floor, a "Z"-shaped metal safety strip should be fabricated and used to protect combustible surfaces in front of the fireplace. This "Z"-shaped safety strip is not provided, but must be fabricated of metal with each horizontal leg at least 1-1/2 inches wide — equal in length to the metal strips provided with each fireplace.

When positioning the fireplace on all mounting surfaces (see Step A-2), the metal safety strips must be installed as described above to provide protection to combustibles (burnable) surfaces in front of the fireplace.

NOTE: Safety strip is not required over non-combustible floors where all supports at the base of the fireplace are non-combustible.

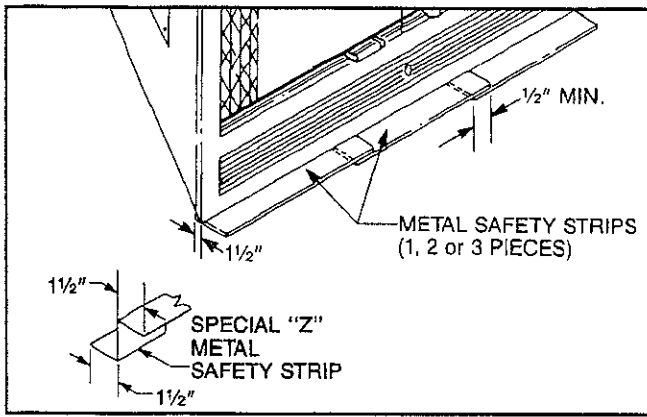


Fig. 3. Install metal strip(s) under front of fireplace.

A-4. ANCHOR FIREPLACE IN POSITION.

To prevent shifting of fireplace and maintain sealing (described later), anchor the fireplace. Use side nailing flanges shipped on fireplace hearth to secure fireplace to vertical framing members. (See Fig. 4.) Refer to Framing and Finishing Section H. Nailing flanges are installed by loosening surround side screws, inserting flanges and tightening to secure to fireplace.

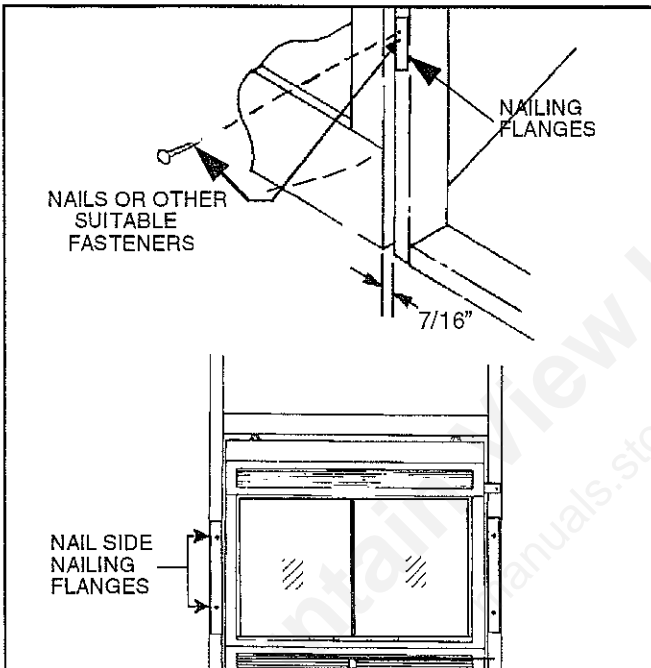


Fig. 4. Fasten fireplace in position using the nailing flanges or top standoffs.

B. Installing the Chimney

CAUTION: REPORT TO YOUR DEALER ANY PARTS DAMAGED IN SHIPMENT, SPECIFICALLY, CHECK THE END CONNECTIONS OF CHIMNEY SECTIONS AND ELBOWS.

NOTE: The MR42A/MRC42A Series fireplace may use Majestic Model SK8 or Majestic Model S, 3-wall chimney system. The fireplace accepts the SK8 chimney system. A chimney adapter is necessary to attach "S" chimney system. The installation procedure described in Section B (Installing the Chimney), applies to the SK8 system only. Either system may be used, but SK8, CF8 and S components may not be mixed. For clarification, refer to the Accessory Section of this manual beginning on page 16.

B-1. LOCATE CENTERPOINT OF CHIMNEY — STRAIGHT UP INSTALLATION.

If the fireplace rear spacer is positioned against the wall behind it, measure out 10-3/4 inches for MR Series, 10 for R Series

from that wall and make a mark on the ceiling above the fireplace. Draw a line through this mark parallel to the back wall, defining the centerline of the chimney. (See Fig. 5.) Then, using a plumb bob positioned directly over the center point of the fireplace flue collar, mark the ceiling to establish the chimney centerpoint. (See Fig. 5.)

B-2. LOCATE CENTERPOINT OF CHIMNEY - OFFSET INSTALLATION.

In order to clear an obstruction, it may be necessary to offset the chimney from the vertical plane. This is done by using Majestic Chimney Elbows: Model SK830 (30°). Each offset requires a pair of elbows. Use Table 1 and Fig. 6 to determine the offset that may be obtained using the various elbows.

Table 1: Offset dimensions.

	DIMENSIONS	
	T SK830	S SK830
No Intermediate Section	0' 3"	0' 11"
One 1' Section	0' 8-1/4"	1' 8"
One 1-1/2' Section	0' 11-1/4"	2' 1-1/4"
Two 1' Sections	1' 1-1/2"	2' 5-1/4"
One 1' and One 1-1/2' Section	1' 4-1/2"	2' 10-1/4"
One 3' Section	1' 8-1/4"	3' 4-3/4"
Two 1' and One 1-1/2' Sections	1' 9-3/4"	3' 7-1/2"
One 4' Section	2' 2-1/4"	4' 3-1/4"
One 3' and One 1-1/2' Section	2' 4-1/4"	4' 7-1/4"
One 1' and One 4' Section	2' 7-1/2"	5' 0-1/4"
One 1-1/2' and One 4' Section	2' 10-1/2"	5' 5-1/2"
Two 3' Sections	3' 1-1/2"	5' 10-3/4"

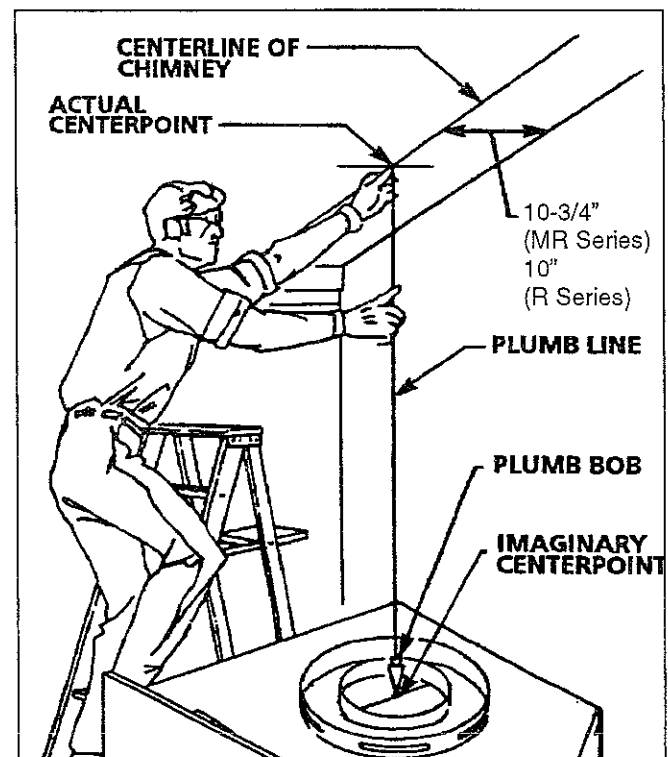


Fig. 5. Locate centerpoint of chimney with plumb line.

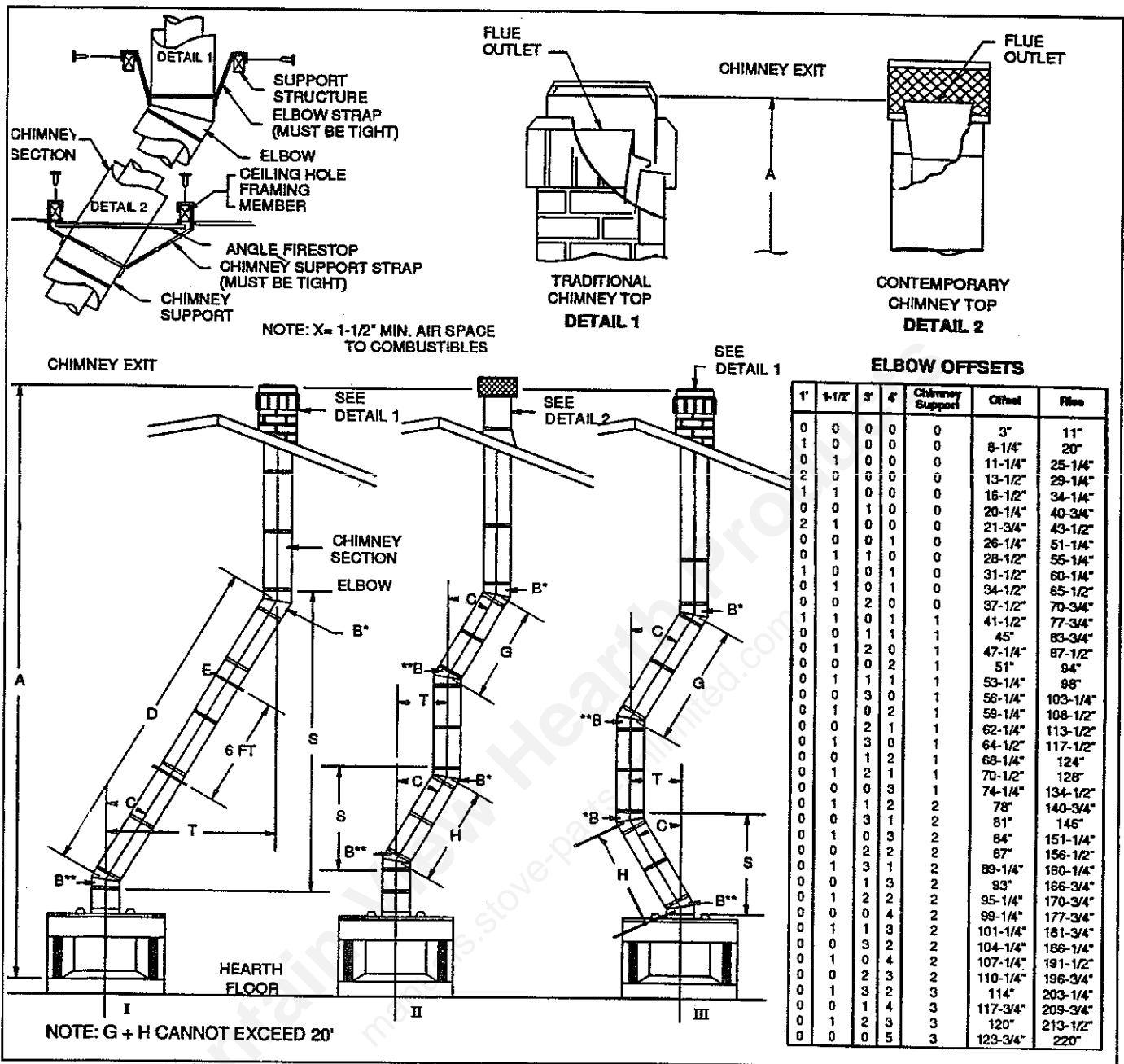


Fig. 6. Typical offset installations.

The following **safety rules** apply to offset installations. (The letters below match the letters in Fig. 6.)

A. Height of the chimney measured from the hearth to the chimney exit at top.

R36A/RC36A	
Maximum:	90 Feet
Minimum:	
Without Elbows	12 Ft. 6 In.
With 2 Elbows	12 Ft. 6 In.
With 4 Elbows	16 Ft. 0 In.
MR42A/MRC42A	
Maximum:	90 Feet
Minimum:	
Without Elbows	14 Ft. 0 In.
With 2 Elbows	15 Ft. 6 In.
With 4 Elbows	21 Ft. 0 In.

- B. Do not use more than four elbows per chimney.
 - *Attach the straps of the top elbows to a structural framing member.
 - **The first elbow of any pair does not have straps.
- C. The chimney cannot be more than 30° from the vertical plane.
- D. The maximum length of the angled run of the total chimney system is 20 feet. (G plus H cannot exceed 20 feet.)
- E. A chimney support (Model SKCS8) is required every 6 feet of angled run of chimney. Chimney supports are required at 30 foot and 60 foot of chimney heights measured from the hearth.

Determine the offset distance of your chimney arrangement from the centerline of the fireplace to the centerline of the chimney where it is to pass through the first ceiling. NOTE: This offset distance may not be your full offset distance (T). (See above.)

Locate on the ceiling the centerpoint of the chimney, as though a straight up chimney arrangement is to be used, by following the procedure outlined in Step B-1. Then measure your offset dimension from the straight up chimney centerpoint on the ceiling. (See Fig. 7.)

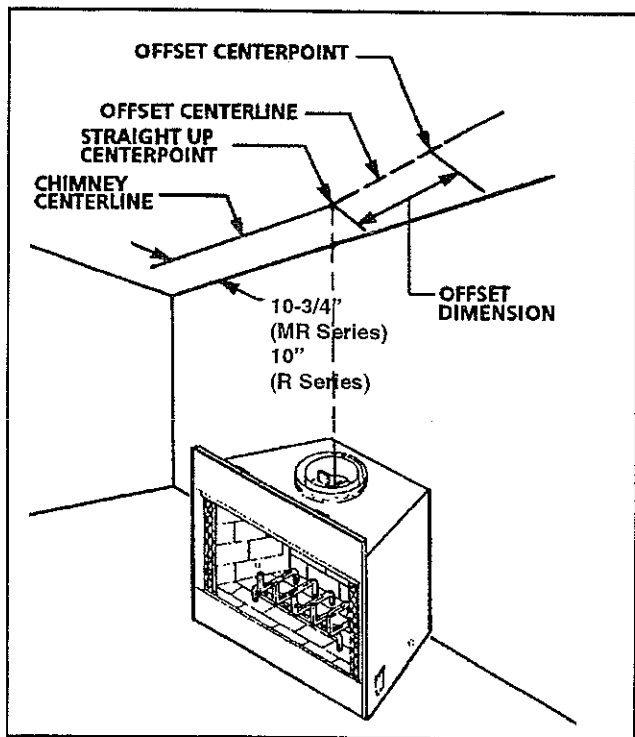


Fig. 7. Measure first ceiling offset distance from straight up centerpoint.

B-3. MARK AREA OF CEILING CHIMNEY HOLE.

The size of the ceiling chimney hole will vary with the angle at which the chimney passes through the ceiling. Refer to Table 2.

Drive a nail up through the ceiling at the marked chimney centerpoint. Go to the floor above and check where the hole will be cut, relative to the ceiling joists and any obstructions such as wiring or plumbing runs. If necessary, re-position the chimney and/or the fireplace to better accommodate these joists and/or obstructions.

B-4. CUT CEILING CHIMNEY HOLE.

After covering the opening of the fireplace collar, cut the chimney hole through the ceiling. Recheck the hole to be sure that it measures the hole size selected from Table 2.

The "SK8" chimney allows for framing the chimney hole in a typical 16" on center joist condition without cutting joists. (See Fig. 8.)

B-5. FRAME CEILING CHIMNEY HOLE.

Frame the ceiling chimney hole as shown in Fig. 8. It is good practice to use framing lumber that is the same size as the ceiling joists. (This is a requirement at the attic level.)

The **inside dimension** of the frame **must** be the same as the hole size selected from Table 2 in order to provide the required 1 1/2 inch air space between the outside diameter of the chimney and the edges of the framed ceiling hole.

Table 2: Sizes of ceiling chimney hole.

Size of Chimney	Angle of chimney at ceiling	
	Vertical	30°
8" Flue	14 1/2 x 14 1/2	14 1/2 x 25 1/2

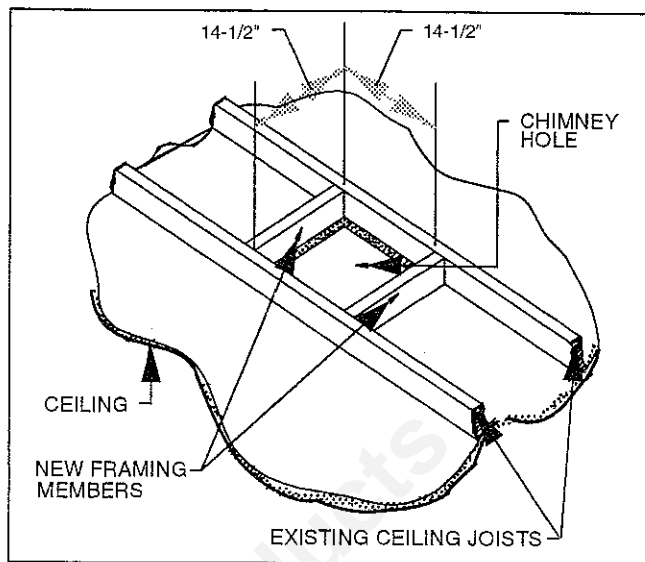


Fig. 8. Typical frame for ceiling chimney hole.

B-6. INSTALL FIRESTOP SPACER.

Firestop spacers are required for safety. The hole sizes listed in Table 2 for angled firestop spacers provide the minimum required air space to the chimney pipe for ceiling thicknesses up to 8 inches. When the combined thickness of the ceiling material, ceiling joists and flooring material exceeds 8 inches, adjustments must be made in the framing to assure that the minimum air spaces to the chimney are maintained.

If the area above the ceiling is **not** an attic, position the firestop spacer with the flange on the ceiling side and the angled portion extending up into the hole. In the US, if the area above the ceiling is an attic, position the firestop spacer with the flange on the top of the framed hole and the angled portion extending down into the hole. (See Figs. 9 & 10.) In Canada an attic insulation shield **MUST** be installed if the area above the ceiling is an attic. Use Majestic Attic Insulation Shield Model AIS-SK.

Nail each corner of the firestop spacer to the framing members of the ceiling hole. NOTE: A firestop spacer is not required at the roof.

Table 3: Firestop model numbers.

TYPE FLUE	TYPE OF SPACER	MODEL NO.
8" Straight	Dished	SKFS2A
8" 30° Inclined	Angled	SKFS6A

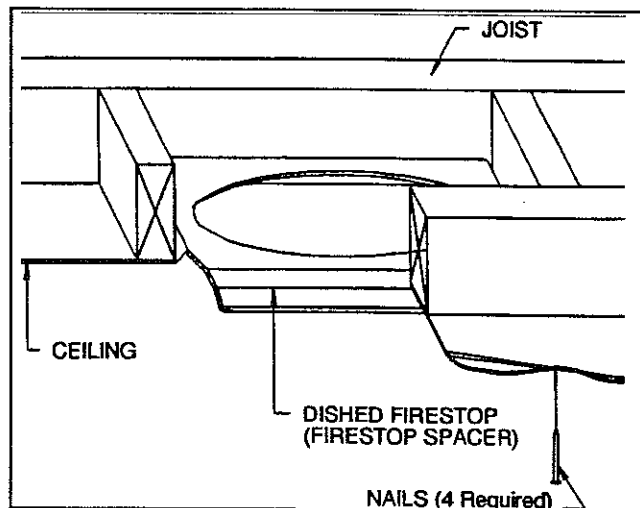


Fig. 9. Position of firestop when area above ceiling is not an attic.

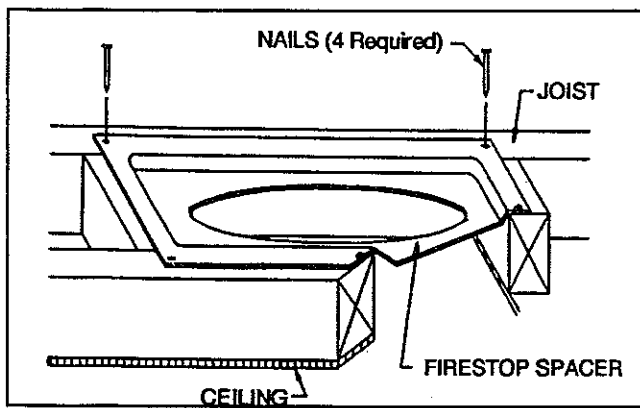


Fig. 10. Position of firestop when area above ceiling is an attic.

B-6-1. INSTALLING ATTIC INSULATION SHIELD. (CANADA)

The attic insulation shield is required for safety to prevent attic insulation from contacting the chimney section. The framing dimensions for the chimney hole should measure 14-1/2" x 14-1/2". The attic insulation shield **MUST** be installed on top of the attic joists (above floor joist level). (See Fig. 10a.) Install the attic insulation shield with the flanges on its base extending down into the framing hole. (See Fig. 10a.)

Nail each corner of the attic insulation shield to the framing members of the ceiling hole using 8d nails.

NOTE: A firestop or attic insulation shield are not required at the roof.

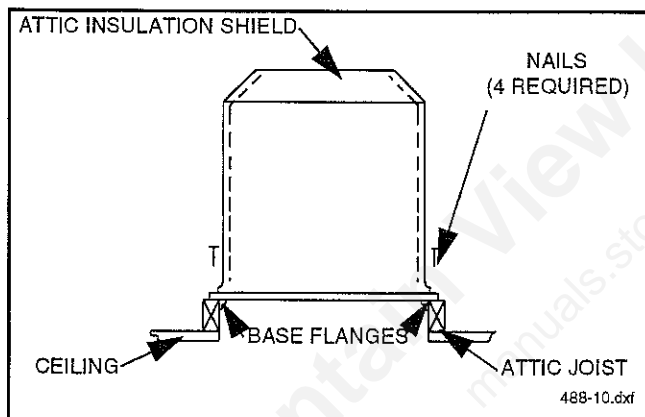


Fig. 10a. Installing attic insulation shield. (CANADA)

B-7. ATTACH CHIMNEY SECTIONS

Attach the first straight chimney section to the fireplace collar, or elbow if offset installation. (Refer to Step B-8.) Mount the flue pipe first, using the built-in snap-lock fasteners. (See Fig. 11.) Then mount the additional pipe. Position each pipe section so the direction arrow is pointing UP.

Make sure each pipe is firmly snapped and locked together as it is mounted.

Continue installing chimney sections until **ONE SECTION** (all pipes) extends up through the ceiling hole. To extend through the ceiling, it may be necessary to assemble all pipes, push them up through the ceiling hole and then slide them down one at a time to connect them.

B-8. ATTACH FIRST ELBOW - OFFSET INSTALLATION.

If the first elbow is not to be attached to the fireplace, install chimney sections as required.

Attach first elbow where required. Note that only the outer pipe snap-locks.

Attach the straps of all upper elbows to a structural framing member. (See Fig. 6.)

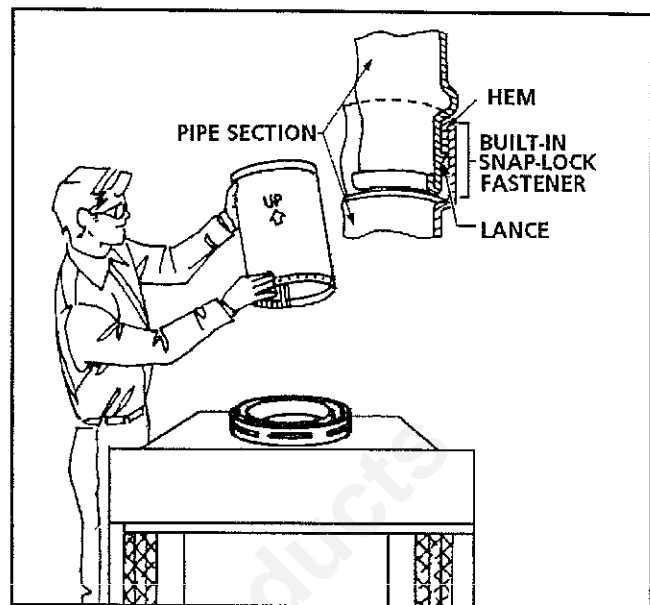


Fig. 11. Use built-in snap-lock fasteners to attach chimney pipe sections.

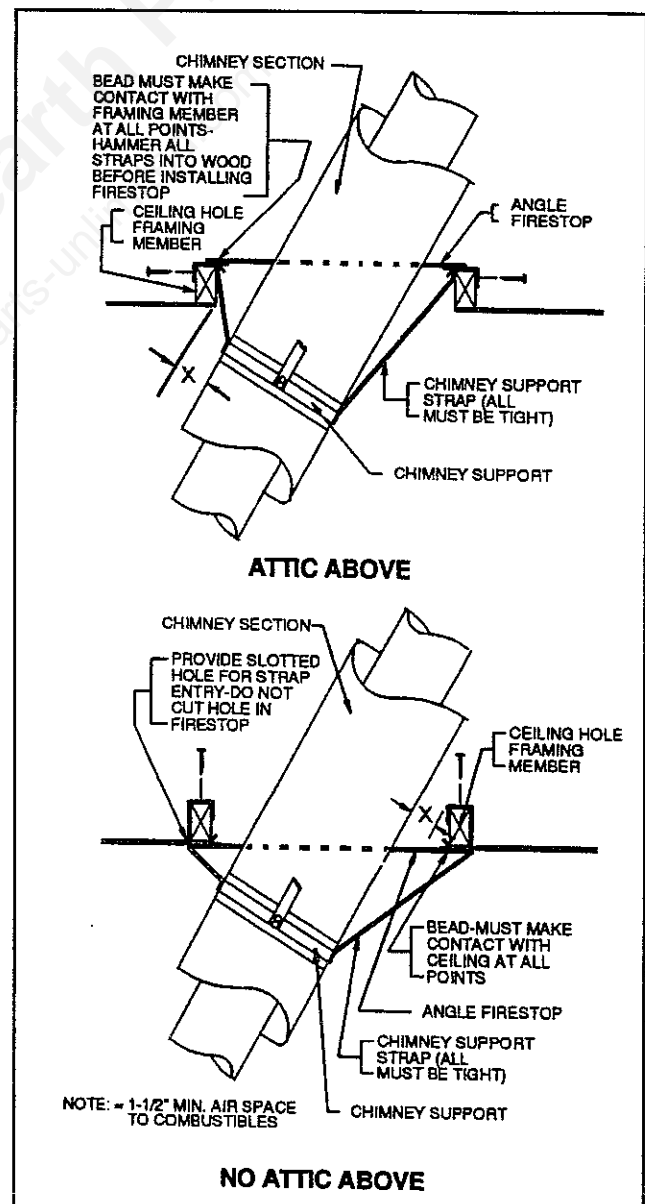


Fig. 12. Mount chimney supports at ceiling hole frames or other structural framing.

B-9. DETERMINE HOW MANY CHIMNEY SUPPORTS ARE NEEDED.

The chimney system is supported by the fireplace for chimney heights less than 30 feet of vertical height above the hearth. Chimney supports are required if the chimney height exceeds 30 feet. Locate chimney supports at ceiling holes or other structural framing at 30 foot heights. Spacing between chimney supports must not exceed 30 feet. Use Majestic Chimney Support Model SKCS8. **(NOTE: The SKCS8 can not be mounted directly to the fireplace.)** Support provided by elbow straps fulfills the support requirement only if they are spaced as required above.

Angled chimney runs require support every 6 feet in addition to the elbow straps. Majestic Chimney Supports are used for this function.

Refer to Step B-2 to determine how many chimney supports are needed and where they will be placed in the chimney run.

NOTE: A chimney support is 2-1/2 inches long when installed. This dimension must be considered when determining how many straight chimney sections are needed to provide the desired offset.

B-10. INSTALL CHIMNEY SUPPORTS

Chimney supports are attached to chimney sections the same way elbows are attached. Refer to Step B-8. Nail the chimney support straps to adjacent structural framing, as shown in Fig. 12. Bend the straps as necessary and make sure they are tight so they will be able to support the weight of the chimney.

B-11. LOCATE CENTERPOINT OF NEXT CEILING HOLE.

NOTE: If there is no other ceiling, you have completed Section B. Proceed to Section C, Penetrating the Roof.

In a manner similar to that used in Steps B-1 and B-2, mark the centerpoint of the next ceiling hole.

B-12. PREPARE SECOND CEILING HOLE.

Repeat Step B-3. Mark area of ceiling chimney hole; B-4, Cut ceiling chimney hole; B-5, Frame ceiling chimney hole; and B-6, Install firestop spacer.

B-13. CONTINUE INSTALLING CHIMNEY SECTIONS.

Continue installing chimney sections and chimney supports (as required), until the chimney passes through the second ceiling hole.

NOTE: Repeat Steps B-11 through B-13 as many times as necessary to pass through all the ceilings in the building and bring the chimney just short of the roof.

C. Penetrating the Roof

The chimney system must be vented out-of-doors and must be terminated with an approved Majestic top termination.

NOTE: If you are using a chase, go to Section D.

C-1. LOCATE CHIMNEY CENTERPOINT AT ROOF.

Use the same procedure detailed in Steps B-1 and B-2.

Drive a nail up through the roof at the marked centerpoint. This will make the centerpoint on the outside of the roof.

C-2. CUT AND FRAME ROOF HOLE.

The size of the roof hole varies with the type of chimney top that will be installed. Refer to the installation instructions provided with your Majestic chimney top termination to find the correct size of roof hole for this installation. There must be at least 1-1/2 inch air space between the outermost portion of the chimney sections and any adjacent combustible (burnable) surfaces.

WARNING: DO NOT PACK REQUIRED AIR SPACES WITH INSULATION OR OTHER MATERIALS.

(Combustible surfaces include such things as ceiling members, joists, flooring, combustible insulation and roof structures.)

Mark the outline of the roof hole around the centerpoint nail.

Note: The hole dimensions given in the chimney top installation instructions are **horizontal** dimensions; therefore, the hole size must be marked on the roof accordingly.

Cover the opening of the installed chimney.

Cut and frame the hole. It is good practice to use framing lumber that is the same size as the rafters. **Install frame securely. Chimney top and flashing anchored to frame must withstand heavy winds.**

C-3. DETERMINE MINIMUM CHIMNEY HEIGHT ABOVE ROOF.

Major U.S. building codes specify minimum chimney height above the roof top. These specifications are summarized in the Ten Foot Rule. (See Fig. 13.) The key points of this rule are:

1. If the horizontal distance from the center of the chimney to the peak of the roof is 10 feet or less, the top of the chimney must be at least 2 feet above the peak of the roof, but never less than 3 feet in height above the highest point where it passes through the roof.
2. If a horizontal distance from the center of the chimney to the peak of the roof is more than 10 feet, a chimney height reference point is established that is on the surface of the roof a distance of 10 feet from the center of the chimney in a horizontal plane. (See Fig. 13.) The top of the chimney must be at least 2 feet above this reference point, but never less than 3 feet in height above the highest point where it passes through the roof.

These chimney heights are necessary in the interest of safety and do not assure a smoke-free operation.

C-4. INSTALL REMAINDER OF CHIMNEY SECTIONS.

Continue installing chimney sections up through the roof hole. Check your chimney top installation instructions for data on how high above the roof top the CHIMNEY SECTIONS (all pipes) should go.

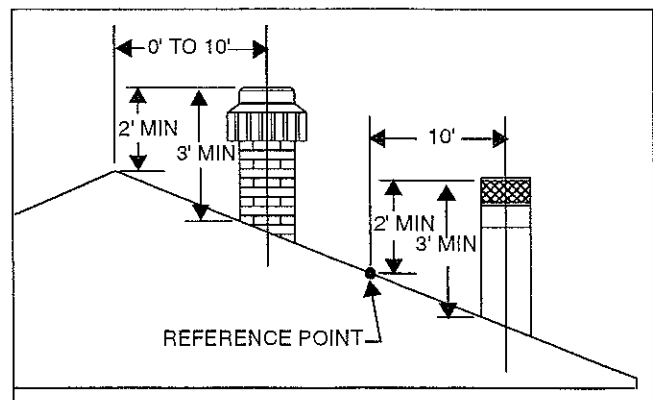


Fig. 13. Ten foot rule for chimney height.

C-5. INSTALL CHIMNEY TOP HOUSING OR TERMINATION.

Follow the installation instruction provided with the Majestic chimney top you have selected.

D. Installing Chimney in a Chase

A chase is a vertical box-like structure built to enclose the fireplace and/or its chimney.

CAUTION: Treatment of firestop spacers and construction of the chase may vary with the type of building. These instructions are not substitutes for the requirements of local building codes. Therefore, your local building codes must be checked to determine the requirements for these steps.

NOTE: Other material may be required in addition to Majestic Firestop Spacers.

When installing a MR42A/MRC42A or R36A/RC36A Series fireplace and chimney in a chase, it is always good building practice to **insulate the chimney chase as you would an outside wall of your home**. See Section G, which describes insulation methods.

Refer to Framing and Finishing on page 10. Upon completion of building your chase frame, install the chimney system. Follow the instruction for Installing the Chimney starting on page 4. Then proceed to Step D-1.

D-1. INSTALL FLASHING AND CHIMNEY TOP.

Follow the installation instructions provided with the Majestic chimney top you have selected.

E. Install the Electrical Connection (MRC42A or RC36A)

E-1. ELECTRICAL CONNECTION.

CAUTION: ALL WIRING SHALL BE DONE BY A QUALIFIED ELECTRICIAN AND SHALL BE IN COMPLIANCE WITH ALL LOCAL, CITY AND STATE BUILDING CODES.

IMPORTANT: To prevent electrical shock, the house power must be disabled. This can be accomplished by positioning the circuit breaker to off.

E-2. INSTALLATION OF FIELD WIRING.

The fans require 120VAC, 60 Hz power which may be connected to the right side of the fireplace at the electrical junction box which is factory installed in the unit. This power should be provided at initial installation, since access to the outer casing is normally not practical at a later date.

Before wiring power to the junction box in the fireplace, remove the cover plate and two (2) mounting screws from the lower right side of the fireplace and set aside.

Remove the knockout in the center of the cover plate. Install the house power connection to the cover plate using listed cable clamps. Feed the house wire through the listed cable clamp leaving approximately 6 inches of wire exposed through the cover plate. Secure the listed cable clamp to the wire.

Using pliers, remove the nut from the grounding stud in the junction box and attach the green ground wire from the house power. Reinstall the nut securely. (See Fig. 14.)

Attach the white wire from house power to one (1) wire of the receptacle and secure within a wire nut. Attach the black wire from the house power to the other wire of the receptacle and secure within a wire nut. (See Fig. 14.)

IMPORTANT: The wire nuts must be tight.

Reinstall the cover plate being careful to position the excess wire within the electrical box.

NOTE: Refer to optional model SCVS speed control installation instructions for field installation.

E-3. BLOWER ASSEMBLY.

Refer to optional blower assembly installation instructions for field installation.

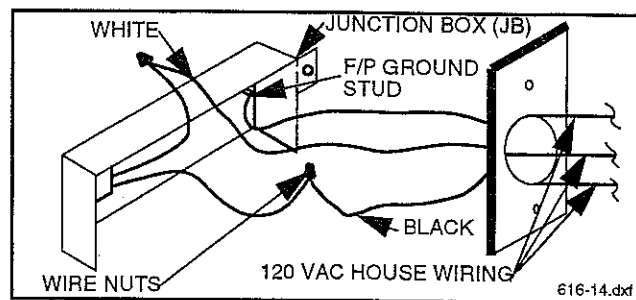


Fig. 14. Wiring diagram.

F. Installing Outside Air System

F-1. INSTALL OUTSIDE AIR KIT.

Install outside air kit if desired or required by local code. Refer to AK-MST installation instructions for field installation. This kit **MUST** be installed before the fireplace is enclosed.

G. Insulating Fireplace Enclosure For Cold Climates

In cold climates, insulation of the enclosure around the fireplace is critical to avoid future problems with cold air. The following steps are suggested to eliminate potential cold air problems.

G-1. INSULATE BASE OF FIREPLACE.

Insulate the base of the fireplace with a non-combustible insulation rated for a minimum of 300°F. This step is particularly important for outside wall installations over concrete slab floor construction. If a platform is used to raise the fireplace, the insulation should be placed on top of the platform before the fireplace is set. (See Fig. 15.)

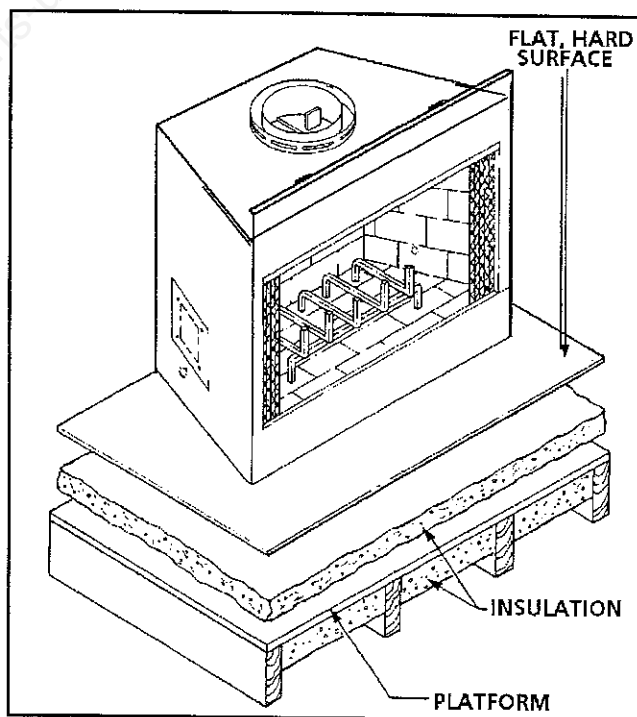


Fig. 15. Insulation between platform and fireplace.

G-2. INSPECT JOINTS.

Inspect joints of the fireplace as well as the points of sealing between the fireplace and the finishing materials. Any cracks should be sealed with non-combustible caulking or insulation. See Fig. 16 for details of sealing spaces between the fireplace and finishing materials.

G-3. INSULATION OF ENCLOSURE.

When a fireplace is installed in a chase or on an outside wall, the enclosure should be insulated like any other wall of the home. Insulation should be installed on the inside wall as well as the outside wall(s). In a chase, it is also a good idea to install a firestop at the first ceiling level above the fireplace and close the chase with sheeting material. Insulation may then be installed above the sheeting material to assure the space around the fireplace is totally protected. See Fig. 17 for additional details of suggested insulating methods.

CAUTION: WHILE INSTALLING A FIREPLACE IN AN INSULATED ENCLOSURE, BE SURE ALL MARKED AIR SPACES ARE MAINTAINED.

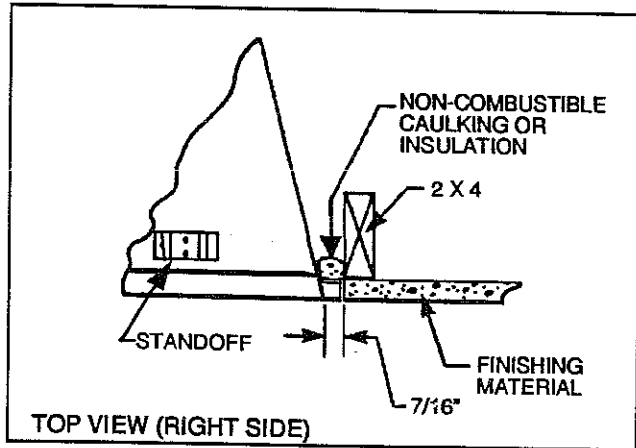


Fig. 16. Sealing spaces between fireplace and finishing materials.

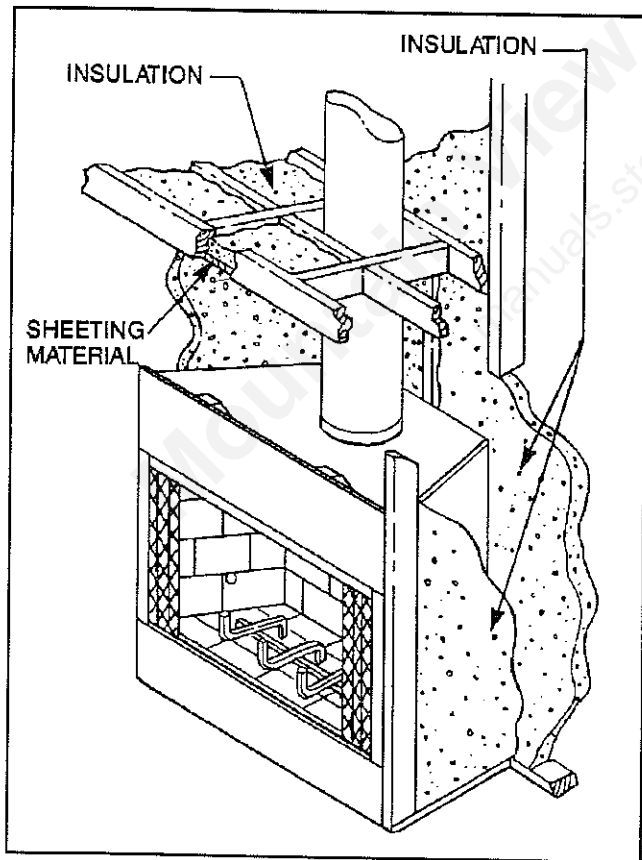


Fig. 17. Additional insulating methods.

H. Framing and Finishing

H-1. DETERMINE WHEN TO INSTALL FRAMING.

Fireplace framing can be built before or after the fireplace is set in place. Fig. 18 shows the minimum framing dimensions.

H-2. BUILD FRAMING.

The fireplace framing should be constructed of 2 x 4 lumber or heavier. Refer to Dimensions on page 15 for basic fireplace dimensions that will affect the framing dimensions.

The header may rest on the fireplace standoffs.

Framing should be positioned to accommodate wall covering and fireplace facing material. (See Figs. 19, 20 and 21 for typical arrangements.) Nailing flanges provided on the side of the fireplace can be used to anchor the fireplace. Nail through the flanges into the vertical framing members. (See Fig. 4.)

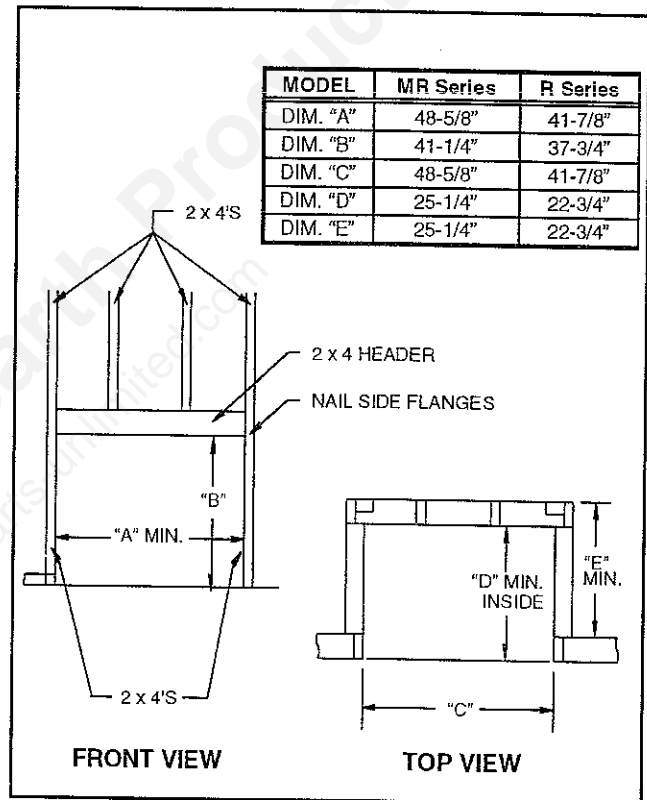


Fig. 18. Minimum fireplace enclosure dimensions.

CAUTION: All joints between the finished wall and the fireplace surround (top and sides) must be sealed with non-combustible material. Only non-combustible material may be applied as facing to the fireplace surround.

H-3. FINISH WALL

Finish the wall with material of your choice. Do not install a combustible mantel less than 12 inches above the fireplace opening for MR42A and R36A or 12 inches above grille opening for MRC42A and RC36A. If a combustible material is used below a flat mantel shelf, consult your local building codes for the minimum clearance from the top of the fireplace opening to the bottom of the mantel shelf.

All joints (top, bottom and sides), where the wall or decorative facing material meets the fireplace surround must be completely sealed with a non-combustible material. (See Figs. 19 and 20.)

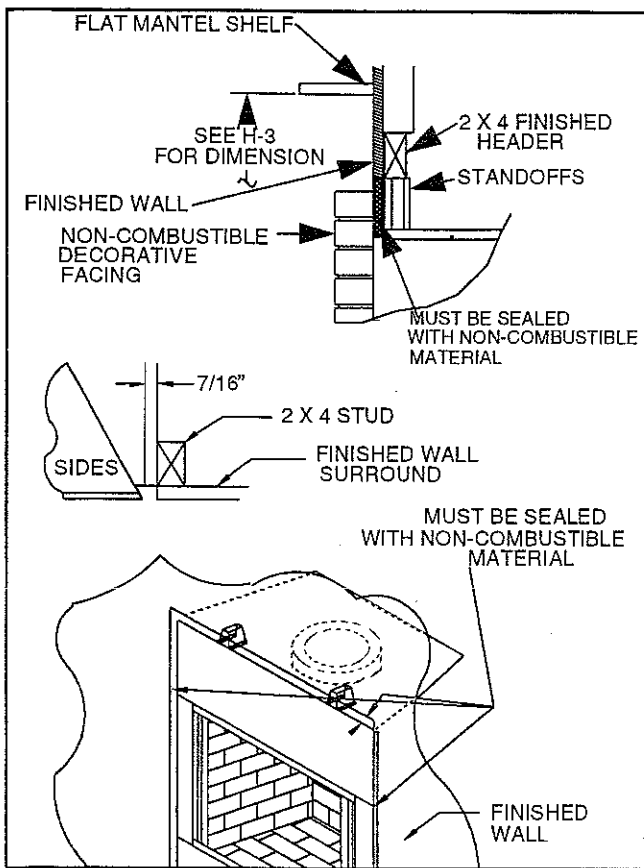


Fig. 19. Fireplace surround flush with finished wall.

When finishing the fireplace, never obstruct or modify the air inlet/outlet grilles in any manner. (See Figs. 21.)

NOTE: For fireplace installed at 45° to two (2) side walls (corner installation), no side wall protection is required.

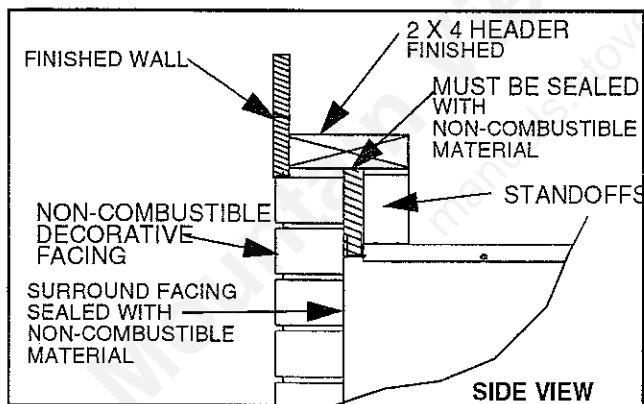


Fig. 20. Facing on fireplace surround flush with finished wall.

H-4. ADD PROTECTION TO SIDE WALLS.

Adjacent combustible side walls that are within 21-1/2" of the fireplace openings must be protected with Majestic Wall Shield Model SP40 or a built up wall shield described in Fig. 22. (See Figs. 22 and 23.)

The built-up wall shield design described in Fig. 22 is an alternate method for adding protection to side walls and can be used in place of the SP40 with the same wall clearances specified for the SP40. R_T must = 1.85 minimum.

EXAMPLES OF INSULATION:

1. Manville - CERAFORM 126, $K=.27$, 1/2" thick required.
2. Majestic - EH2416, $K=.458$, 1" thick required.

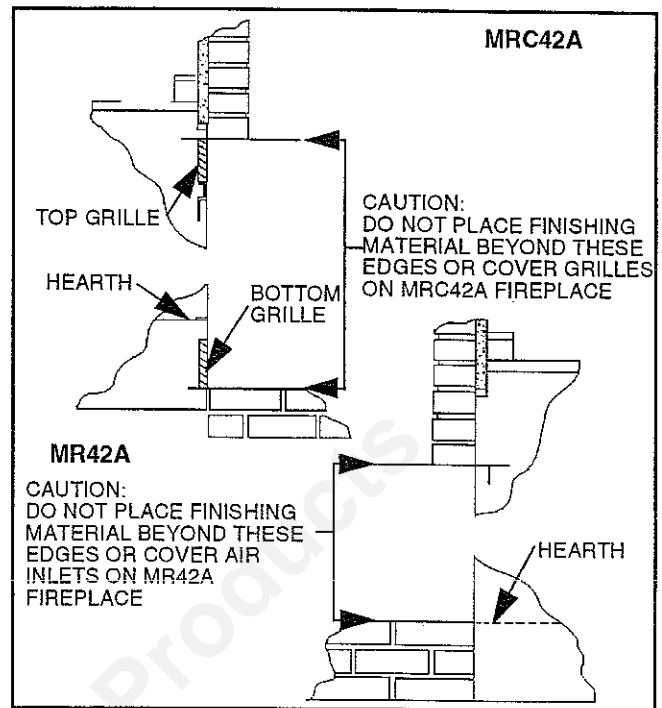


Fig. 21. Finishing front of fireplace.

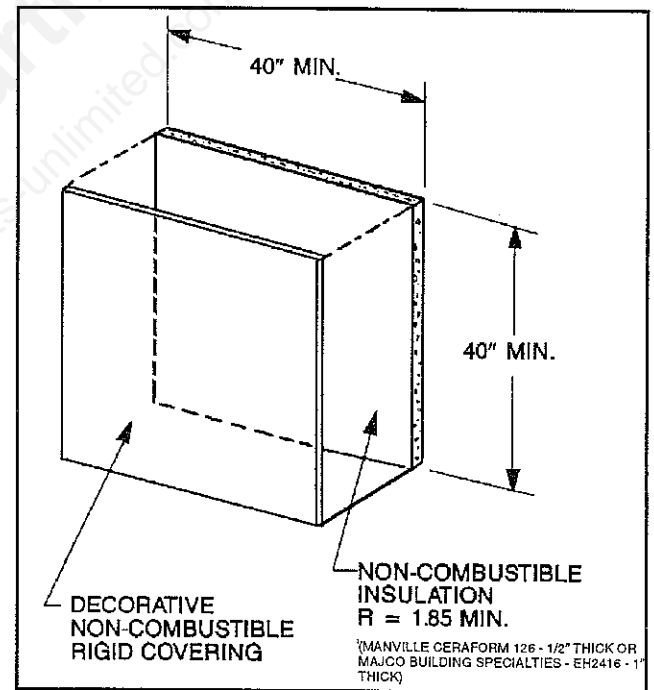


Fig. 22. Non-combustible wall shield dimensions.

H-5. INSTALL HEARTH EXTENSION.

A hearth extension is required to protect combustible floor construction in front of the fireplace. See Fig. 23 for minimum dimensions and mounting detail.

(NOTE: Hearth Extension must not cover the grille opening of the MRC42A or RC36A.)

The hearth extension described in Fig. 23 must be a durable non-combustible material with a minimum (total) R_T value of 2.18 when used with Model SK8, 2-Wall Chimney System and the minimum (total) R_T value for Model S, 3-Wall Chimney systems is 1.09 for MR42/MRC42A units. (See Table 4 for examples.) The overall height (above combustible floor), depth and width must be as indicated, with it centered to the fireplace opening. (See Fig. 23.)

When installing Model SK8, 2-Wall Chimney System, a 1 inch minimum thickness of Majestic EH2416 Hearth Extensions material or equivalent, **MUST** be used (see Step H-5).

NOTE: When installing Model CF8, 2-Wall chimney or Model S, 3-Wall Chimney System, a 1/2 inch minimum thickness of Majestic EH2416 Hearth Extension material or equivalent, can be used (see Step H-5).

MATERIAL	K*	R	MINIMUM THICKNESS
Majestic EH2416	0.458	2.18	1.00 in.**
Common Brick	5.0	0.20	5.46 in.

R Value is for one (1) inch
 * Units of K = BTU/SQ FT/HR/°F/IN
 ** Thickness of Listed Material

Table 4: Common materials and their factors.

The top of the insulation must be covered with a non-combustible decorative covering or a piece of .018" minimum sheet metal, to protect the hearth extension material. (See Fig. 23.)

Secure the hearth extension to the floor to prevent shifting, using trim molding or other similar means at the three (3) outer edges. Seal the crack between the fireplace hearth and the hearth extension with a non-combustible material. (See Figs. 23, 24 and 25.)

WARNING: HEARTH EXTENSION MUST BE INSTALLED IN ACCORDANCE WITH FIGS. 23, 24 AND 25.

Alternate, non-combustible materials may be used providing the (total) thermal resistance (R_T value) of the alternate material employed is greater than or equal to an $R=2.18$ (SK8 chimney). The thermal resistance (R) or the thermal conductivity (K) may be obtained from the manufacturer of the material. The factors are related by the formula $K=1/R$.

T = given thickness

R = thermal resistance for a given thickness (T)

K = thermal conductivity

Non-combustible material with a lower R value may be used, provided the thickness of the material is sufficiently greater to maintain an equivalent total thermal resistance (R_T).

EXAMPLE OF DETERMINING HEARTH EXTENSION EQUIVALENT

To determine the thickness required for any new material:

$$\frac{\text{NEW thickness required}}{\text{thickness of listed material}} = \frac{\text{K of new material (per inch)}}{\text{K of listed material (per inch)}} \times \text{of listed material}$$

EXAMPLE FOR COMMON BRICK

$$T(\text{new}) = 5.0/0.458 \times 1.00 \text{ in.} = 10.92 \text{ in. (new required thickness)}$$

NOTE: These units are not to be installed in a recessed combustible floor material so that the extended hearth is flush with the opening. A flush hearth application is acceptable if installed according to Fig. 23.

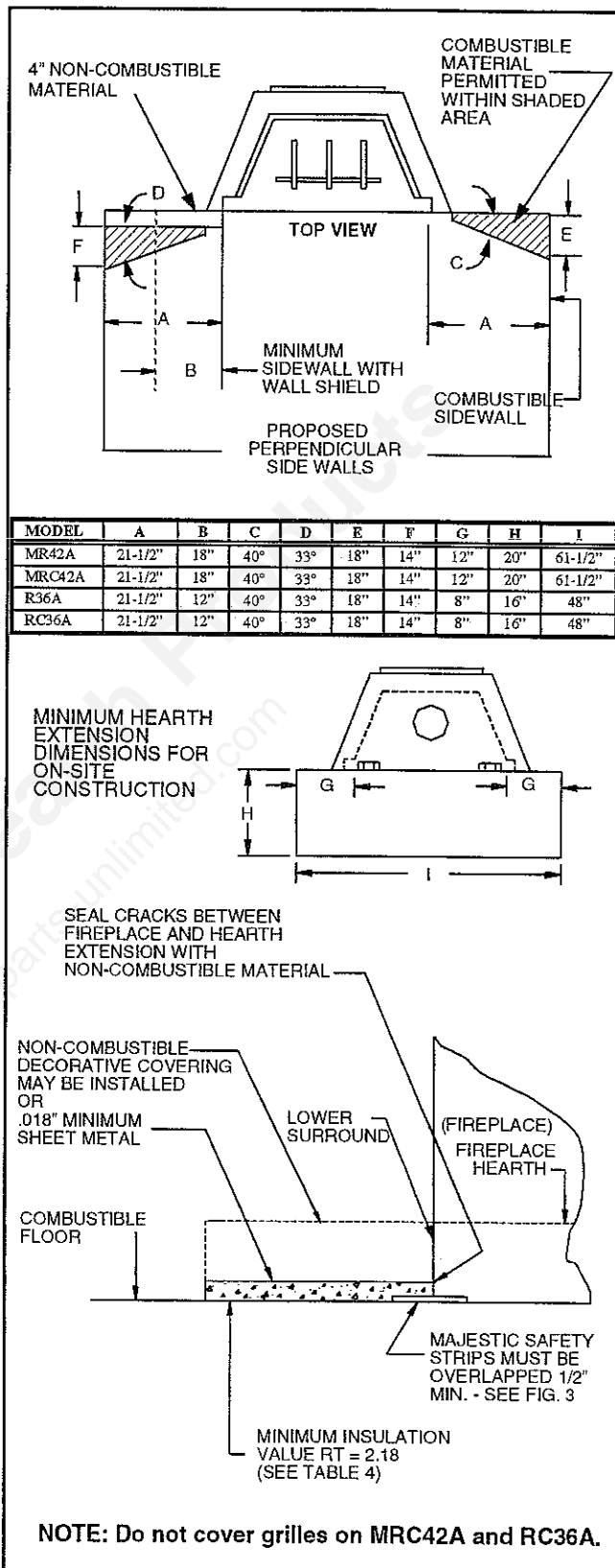


Fig. 23. Protection of adjacent combustible side walls and hearth extension dimensions.

H-6. INSTALL DECORATIVE GAS APPLIANCE.

The Majestic MR42A/MRC42A Series fireplace is designed to accept a 1/2 inch gas line for an approved gas appliance. Have the appliance installed in accordance with all building codes. The gas connection may enter from either left or right side of the fireplace.

Locate the appropriate gas line hole in the outer casing of the fireplace and remove the insulation from the gas line tube. (Refer to Fig. 24.)

Next, insert a 1/2 inch gas pipe through the gas line tube from the outside of the fireplace and forcibly punch out the ceramic knockout on the inside of fireplace.

Now, install the 1/2 inch gas pipe through the opening. After the gas pipe installation is complete, use the insulation that was removed from the gas line tube to repack the space around the pipe. This should be inserted from the outside of the fireplace and packed tightly to totally seal between the pipe and the tube.

NOTE: The gas pipe should not come in contact with any wood structures until it has reached a point at least one (1) inch away from the fireplace side. (See Fig. 24 for installation clarification.)

NOTE: Local codes may require removal of the flue damper when installing any type of gas appliance in a fireplace. For instructions on damper removal, refer to Majestic Instruction BF151. Heat output of a gas appliance installed in the fireplace should be rated less than 100,000 BTU/Hr.

The gas pipe installation is intended for connection to a decorative gas appliance only (1) incorporating an automatic shutoff device and (2) complying with the Standard for Decorative Gas Appliances for Installation in Vented Fireplaces, ANSI Z21.60.

The decorative gas appliance should be installed in accordance with the National Fuel Gas Code, ANSI Z223.1 (latest edition).

CAUTION: WHEN USING DECORATIVE GAS APPLIANCE, THE FLUE DAMPER MUST BE SET IN THE FULLY OPEN POSITION.

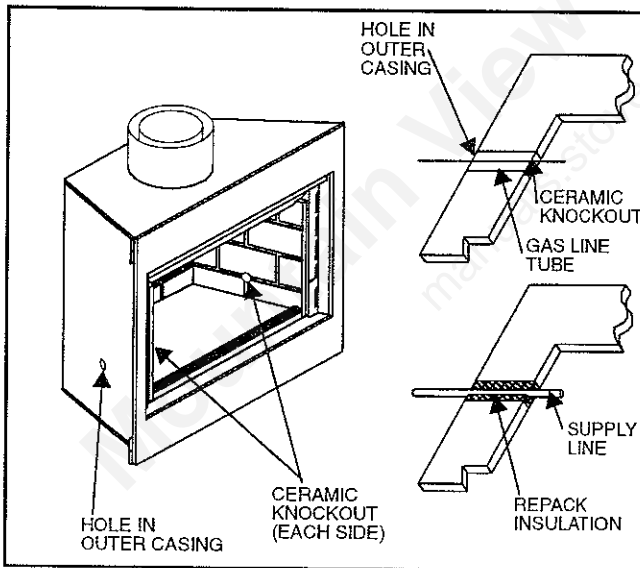


Fig. 24. Install iron pipe gas line through hole provided in either side of fireplace.

Reference Data

AIR SPACE DATA

Any Majestic MR42A/MRC42A Series fireplace can be located directly on a flat hard-surfaced combustible floor or on a wooden platform without air space from combustible construction. Some protection, however, is required for adjacent surfaces as detailed in Fig. 25.

The minimum air space-to-combustibles requirements for chimney sections and dome are detailed in Fig. 25.

WARNING: DO NOT PACK REQUIRED AIR SPACES WITH INSULATION OR OTHER MATERIALS.

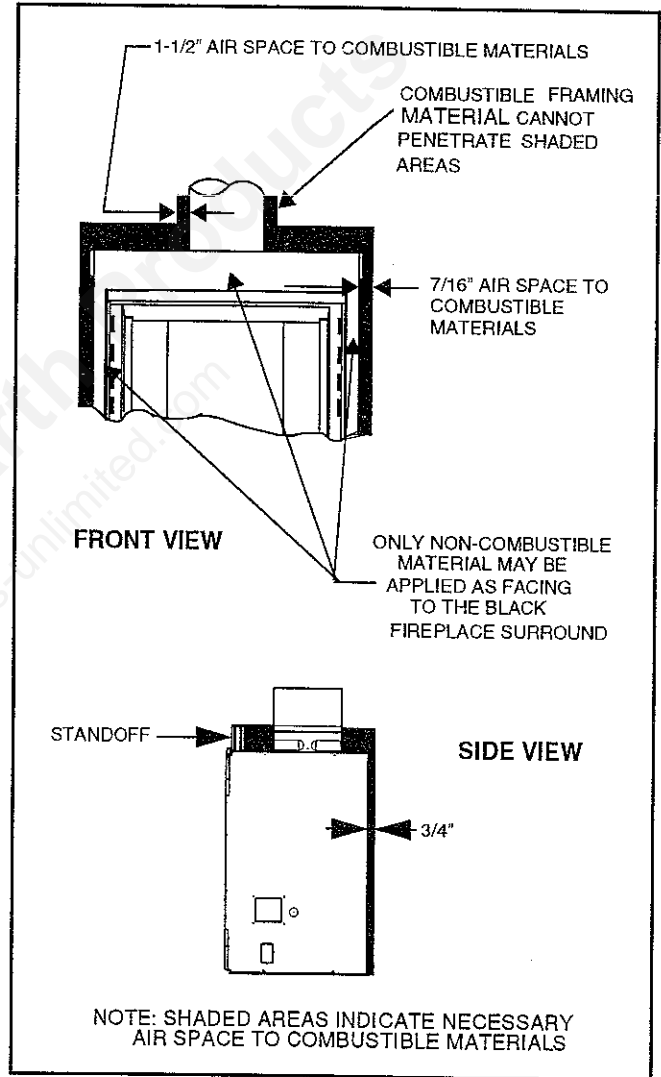


Fig. 25. Minimum air spaces to combustible materials.

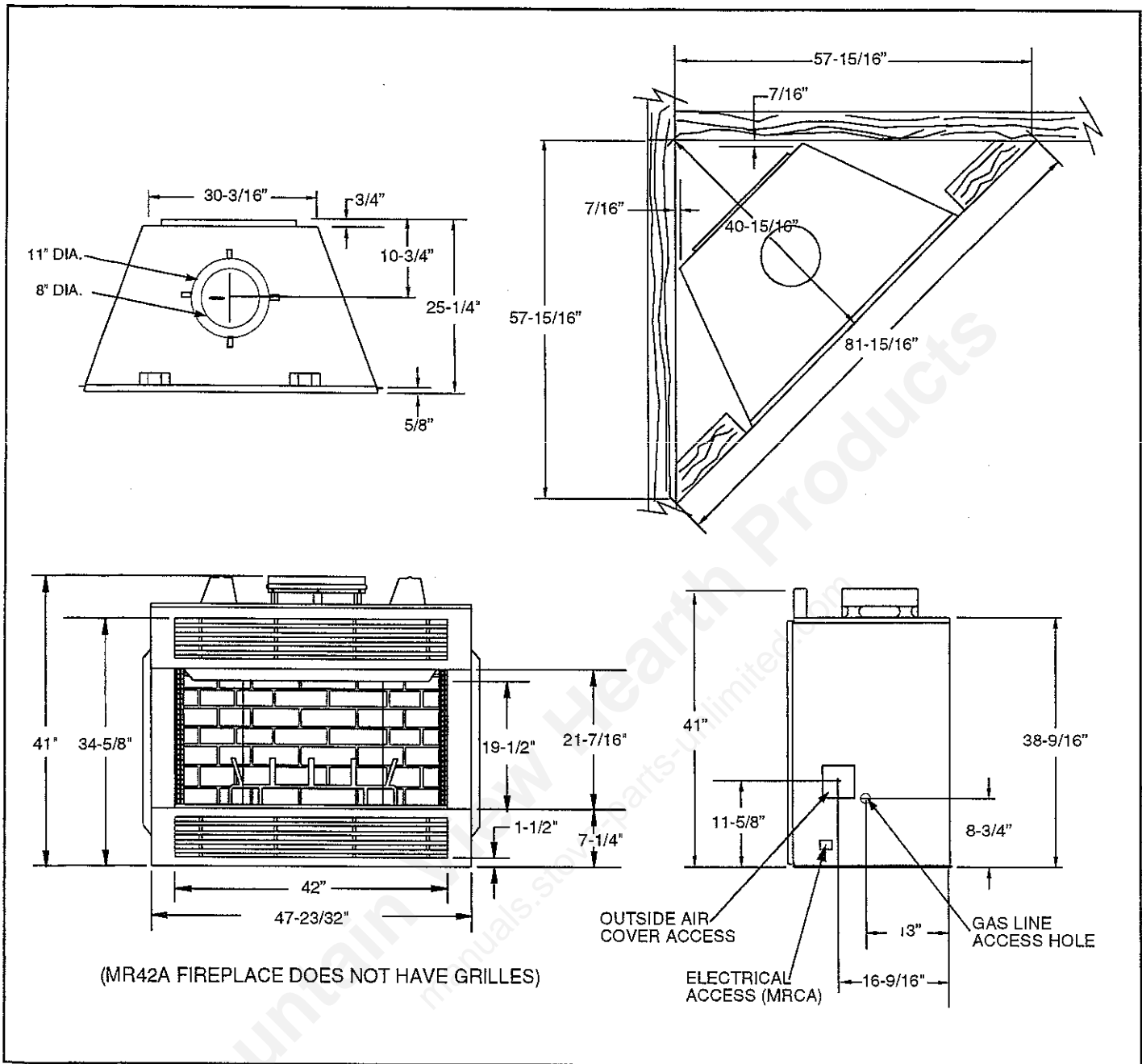


Fig. 26. Dimensions of MR42A/MRC42A.

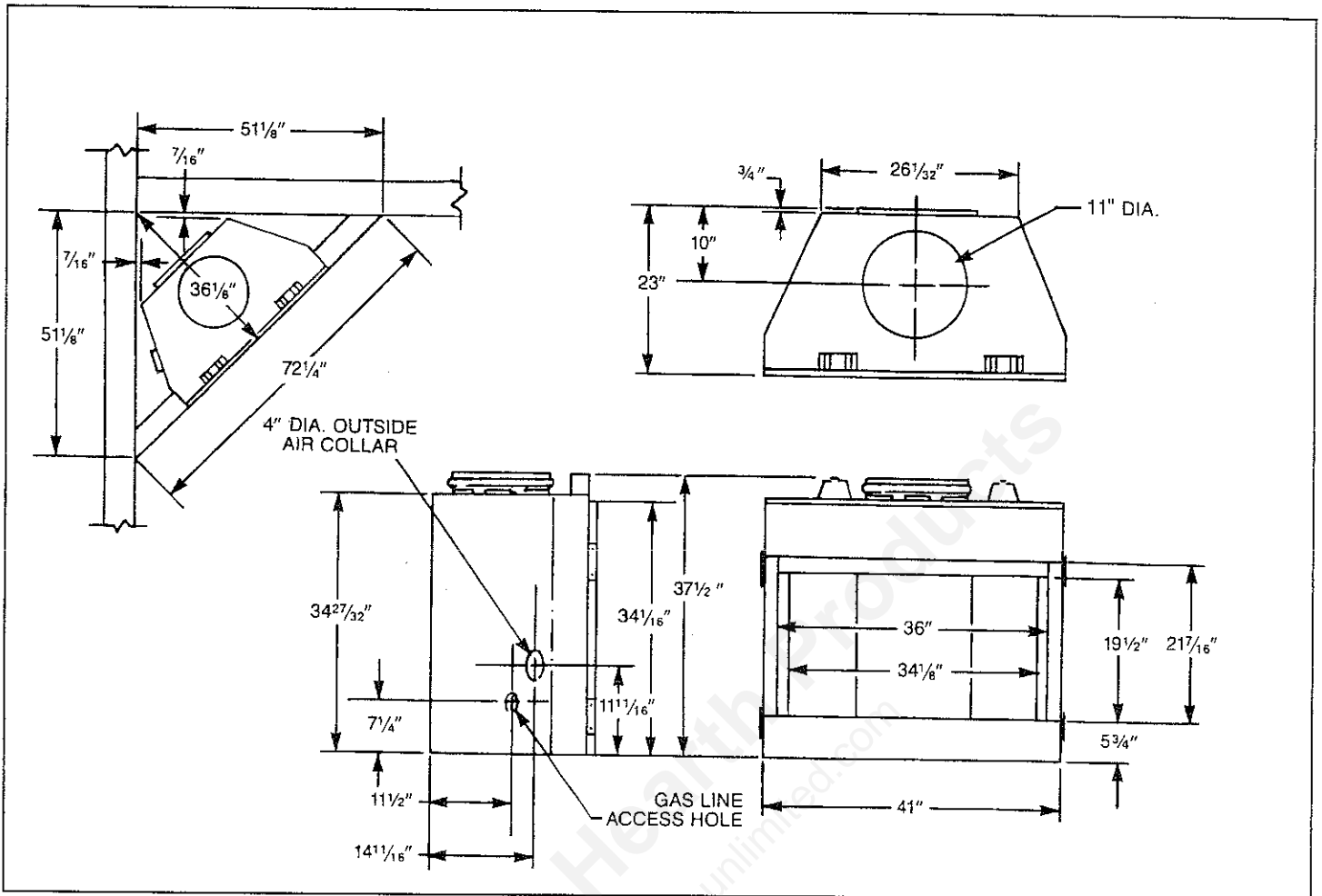


Fig. 27 Dimensions of R36A.

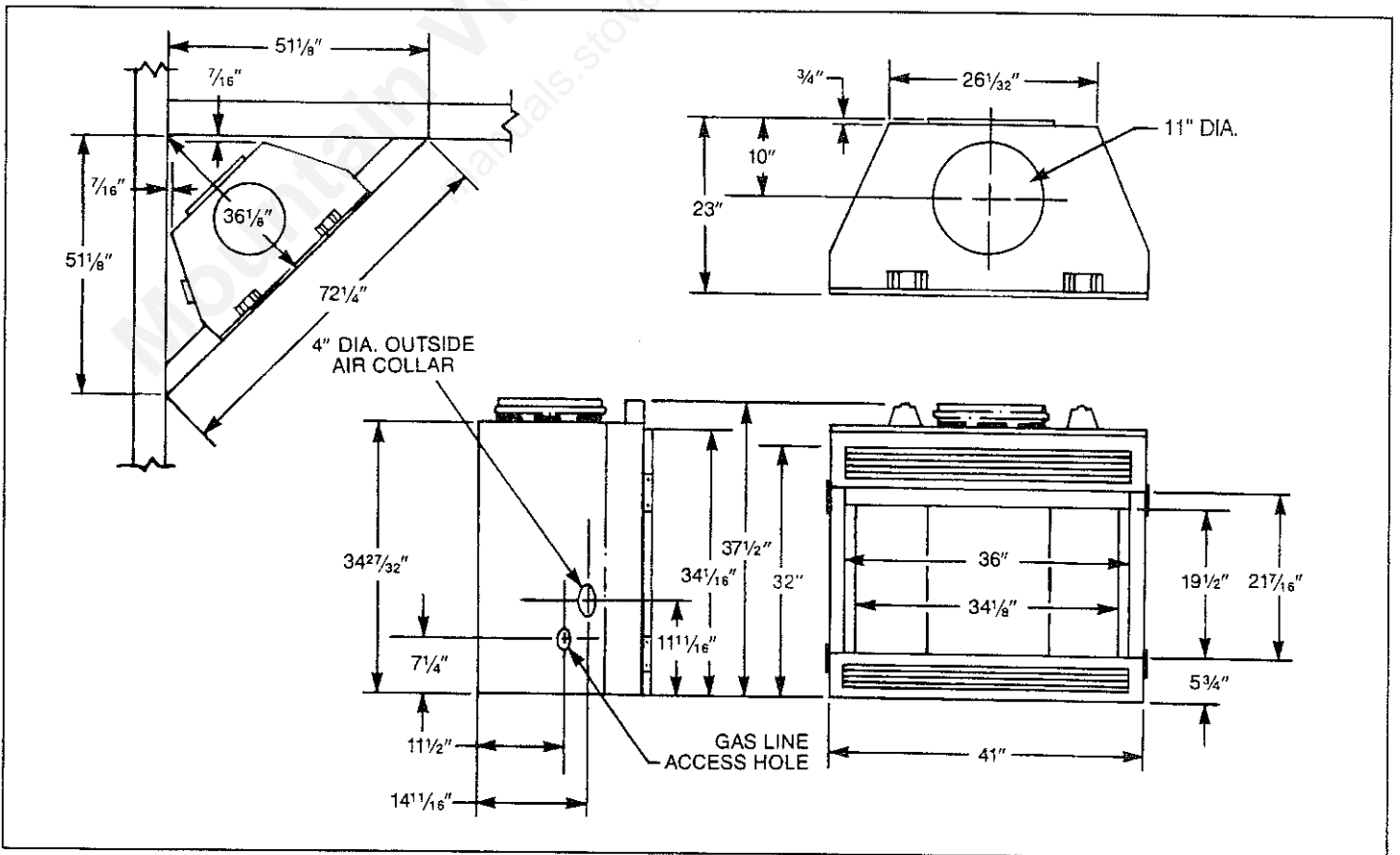


Fig. 28 Dimensions of RC36A.

Accessory Parts

The following accessory parts can be obtained from your Majestic Dealer. Should you need additional information beyond what your dealer can furnish, contact the Majestic Company, Huntington, Indiana 46750, Attention: Director of Technical Service.

CAUTION: This fireplace and chimney assembly is a highly engineered system and, as such, must be operated only with Majestic products approved components that have been designed as parts of the system. If you use an unapproved component or make any modifications, you may possibly cause a fire hazard and will void the Majestic warranty. In addition, such action may void the coverage provided by the owner's home insurance.

USA Accessories

Accessory	Description	Model Number
Glass Enclosure Kit	Standard clear-view, bi-fold door set.	GBD36 (R36A/RC36A) GBD42 (MR42A/MRC42A)
Glass Enclosure Kit	Image™ Series glass doors. Upgrade style with track and bi-fold glass doors.	DE36 (R36A/RC36A) DE42 (MR42A/MRC42A)
Glass Enclosure Kit	Image™ Series glass doors. Upgrade style with flush fit, full frame, trackless bi-fold glass doors.	DF36 (R36A/RC36A) DF42 (MR42A/MRC42A)
Glass Enclosure Kit	Image™ Series glass doors. Upgrade style with frame that overlaps fireplace opening and trackless bi-fold glass doors.	DG36 (R36A/RC36A) DG42 (MR42A/MRC42A)
Glass Enclosure Kit	Image™ Series glass doors. Upgrade style with designer frame that overlaps fireplace opening and trackless bi-fold glass doors.	DH36 (R36A/RC36A) DH42 (MR42A/MRC42A)
Outside Air Kit	Designed to provide outside air for fuel combustion in the firebox. This accessory MUST be installed before the fireplace is installed. 6" diameter kit where required by Code.	AK-MST MAK-6
Blower System	Designed for use with RC36A fireplace to provide forced air flow.	RCFK (RC36A Only)
Blower System	Designed for use with MRC42A fireplace to provide forced air flow.	FKSX-A (MRC42A Only)
Blower Speed Control	Optional wall mounted variable speed blower control!	SCVS
Replacement Basket Grate	Used in firebox to hold firewood.	RBG36 (R36A/RC36A Only) RBG42 (MR42A/MRC42A Only)
Optional Designer Grilles	Used to enhance the appearance of your fireplace.	OG42BK (Black) OG42PB (Polished Brass) For MRC42A units only
Optional Herringbone Refractory Panel	Designer refractory brick used to replace the standard brick.	OHB42 (MR42A/MRC42A Only)

Canadian Accessories

Accessory	With Standard SK8 Two-Wall Pipe	With Optional "S", 8" Three-Wall Pipe
Chimney Collar Enclosure — This enclosure kit is installed to the outer top of the fireplace and provides outside air to assist in cooling the chimney system during fireplace operation.	CCE-SK	NONE NEEDED
Attic Insulation Shield — Used to prevent attic insulation from contacting the chimney system.	AIS-SK	FS2100HT
Chimney Sections — Used to build chimney systems exposed outdoors above roof.	SK818CAN (1-1/2' Long) SK84CAN (4' Long)	818CAN (1-1/2' Long) 84CAN (4' Long)
45° Chimney Elbows — Provides 45° offsets for Canadian installation only. (Maximum of 2.) For use ONLY with SK8 chimney.	SK845/2	NONE NEEDED

Mountain View Hearth Products
 manuals.stove-parts-unlimited.com

Mountain View Hearth Products
manuals.stove-parts-unlimited.com

LISTED FOR RESIDENTIAL CONSTRUCTION: R36A/RC36A and MR42A/MRC42

• UNDERWRITERS LABORATORIES REPORT NO. MH6018



(UNITED STATES)



(CANADA)

Underwriters Laboratories, Inc.

R and MR-Series Fireplaces are covered by Mechanical Patent No. 4,519,376

THE
MAJESTIC[®]
PRODUCTS COMPANY

475 Admiral Boulevard • Mississauga, Ontario L5T 2N1 • Canada
(905) 670-7885 • (905) 670-4676 FAX

1000 East Market St. • Huntington, IN 46750-2579
(219) 356-8000 • (219) 356-9672 FAX

www.majesticproducts.com