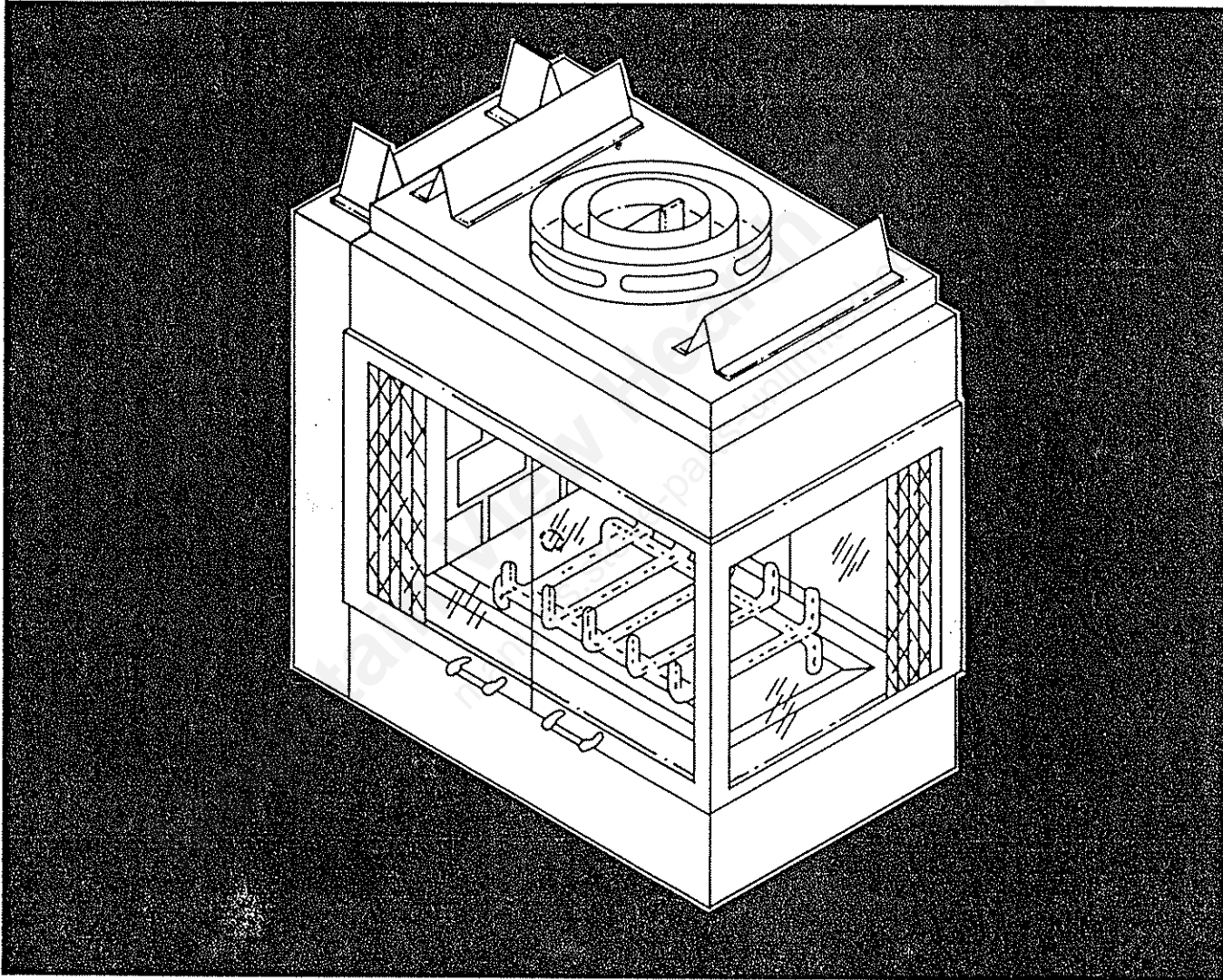


# INSTALLATION AND OPERATION INSTRUCTIONS

for the **MAJESTIC**<sup>®</sup>  
**CV36 (COVE)**  
Factory Built Fireplace



**IMPORTANT:** Read all instructions carefully before starting installation. Failure to follow these installation instructions may result in a possible fire hazard and will void the Majestic warranty.

Save this manual for future reference.

**MAJESTIC**<sup>®</sup>

Copyright EQUUS BUILDING PRODUCTS 1988 .

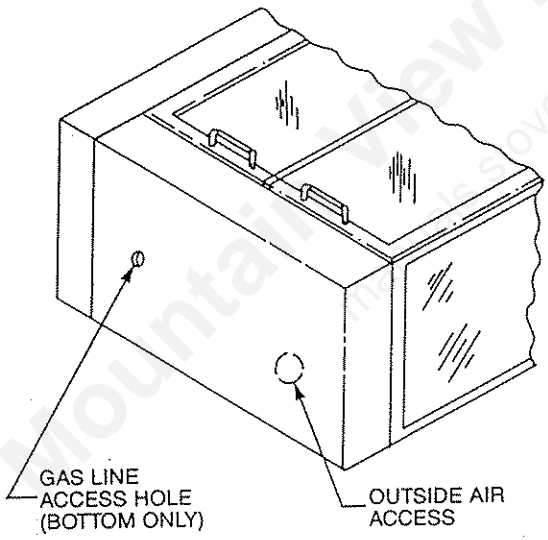
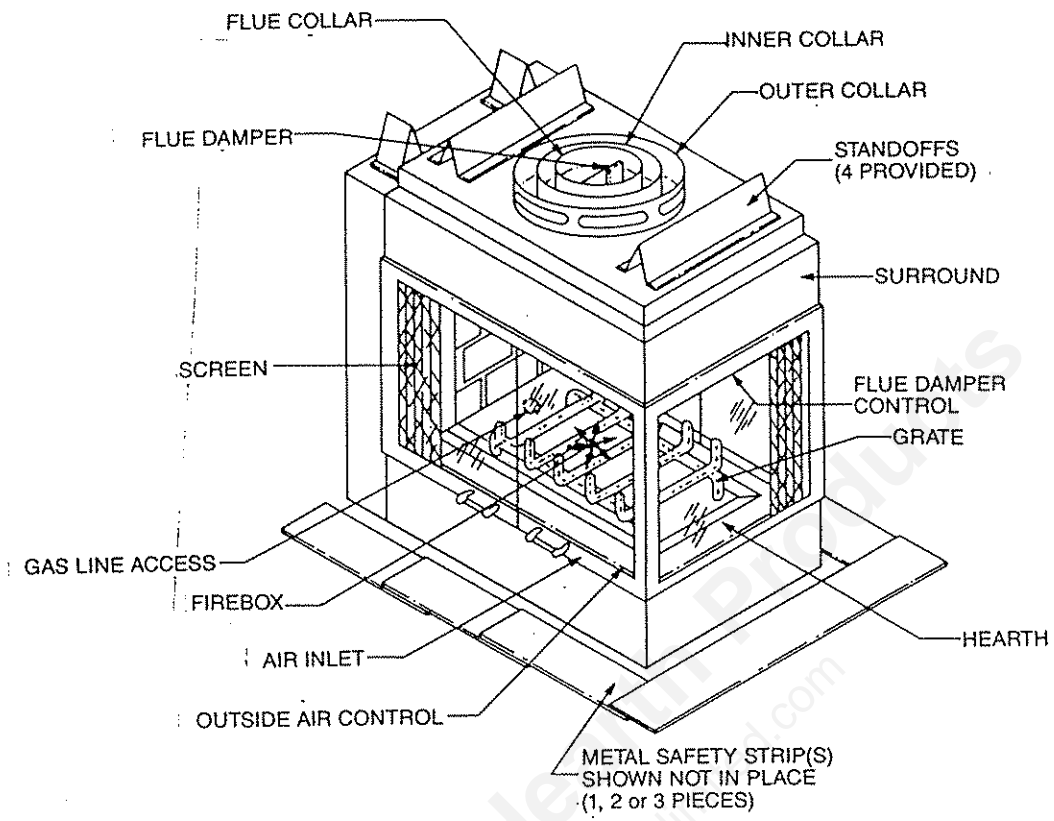


Fig. 1. Parts of the Majestic CV36 Fireplace.

### Table of Contents

	Page
Identification of Parts	2
Installation Precautions	3
Installation Instructions	3
Reference Data	12
Accessory Parts	14

## INSTALLATION PRECAUTIONS

This Majestic Fireplace and its components are tested and safe when installed in accordance with this Installation Manual. Read all instructions **before** starting installation, then follow these instructions carefully **during** installation to insure maximum fireplace benefit and safety.

Report to your dealer any parts damaged in shipment, specifically, check for loose insulation in the fireplace and damper operation.

Since this fireplace and chimney assembly is a highly engineered system, **unless** you use Majestic or Equus Building Products components which have been designed for the system, you may possibly cause a fire hazard.

The Majestic warranty will be voided by, and Majestic disclaims any responsibility for, the following actions:

- Installation of any damaged fireplace or chimney component;
- modification of the fireplace, chimney assembly or any of the component parts thereof;
- Installation other than as instructed by Majestic; or
- Installation and/or use of any component part not manufactured or approved by Majestic in combination or assembly with a Majestic fireplace system, notwithstanding any independent testing laboratory or other third party approval of such component part or accessory.

Any such action may possibly cause a fire hazard. Consult your local building codes.

This fireplace and chimney system must be vented out-of-doors.

Do not obstruct or modify air inlet/outlet grilles in any manner.

The CV36 Series Fireplace is not approved for installation in mobile homes.

Prior to first firing, read Owner's Manual for operating instructions.

## INSTALLATION INSTRUCTIONS

### A. Installing the Fireplace

#### A-1. CHECK HOW ACCESSORIES ARE INSTALLED.

Determine where selected accessories fit into this fireplace installation procedure by checking the installation instructions provided with each accessory. See *Accessory Parts*, page 14.

**NOTE:** The outside air system cannot be installed after the fireplace is completely installed.

#### A-2. DETERMINE FIREPLACE LOCATION.

The fireplace can be mounted on any of the following surfaces:

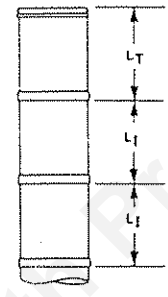
- 1) A flat combustible (burnable) surface.
- 2) A raised wooden platform.
- 3) On four (4) corners of the fireplace.  
(Example: Four (4) concrete masonry blocks.)

These supports must be positioned so they contact all four (4) corners and perimeter edges on the bottom of the unit.

The fireplace may be placed against a combustible back wall without providing any clearance between the back spacer of the fireplace and the combustible material. Nearby combustible floors and walls must be protected as detailed in Section G.

Refer to *Air Space Data* and *Dimensions* on pages 12 and 13 to be sure that the location which you have selected for your fireplace provides for clearance and framing restrictions.

At this point you should have decided what components to include in your installation, where the fireplace is to be located, and how the chimney will be routed to the roof (straight-up or offset). If this has not been done, stop and consult your Majestic Dealer for assistance with this planning.



CHIMNEY MODEL NO.	DIMENSIONS IN INCHES	
	DOUBLE WALL	TRIPLE WALL
CF81	81	11½
CF818	818	17½
CF83	83	35½
CF84	84	47½

Fig. 2. Installed lengths of chimney sections.

Note that the installed length of any chimney section is less than its total length (except for the last section installed), because of its overlap at joints. (See Fig. 2.)

#### A-3. INSTALL METAL SAFETY STRIPS UNDER FIREPLACE.

Thoroughly clean intended fireplace location area. Move fireplace to the location where it is going to be installed. Lift fireplace front slightly to slide metal safety strip(s) under front bottom and side edges about 1½ inches, allowing the remainder to extend out in front and sides of the fireplace. Overlap the strips at least ½ inch to provide a positive joint. (See Fig. 3.) (Safety strips are packed with fireplace.)

When positioning the fireplace on all mounting surfaces (see Step A-2), the metal safety strips must be installed as described above to provide protection to combustibles (burnable) surfaces in front and sides of the fireplace.

**NOTE:** Safety strip is not required over non-combustible floors where all supports at the base of the fireplace are non-combustible.

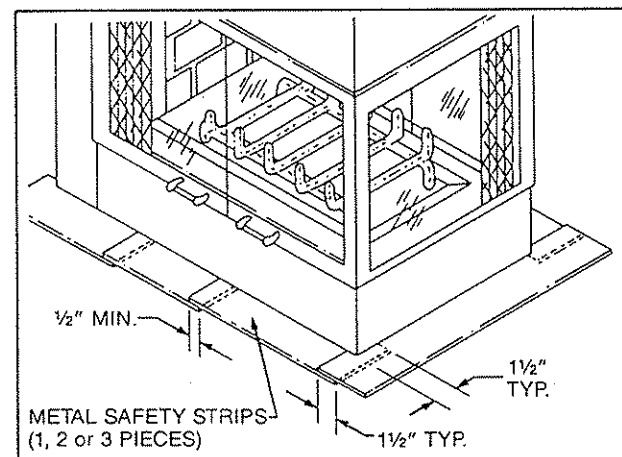


Fig. 3. Install metal strip(s) under front and sides of fireplace.

**A-4. ANCHOR FIREPLACE IN POSITION.**

To prevent shifting of the fireplace and to maintain sealing (described later), anchor the fireplace to floor via metal brackets or angles. (See Fig. 4.)

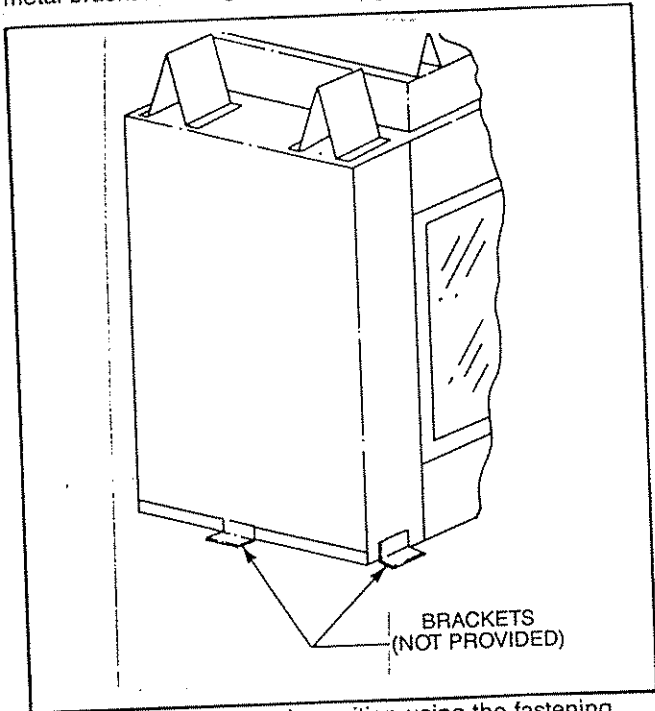


Fig. 4. Fasten fireplace in position using the fastening tabs.

**B. Installing the Chimney**

**CAUTION:**  
REPORT TO YOUR DEALER ANY PARTS DAMAGED IN SHIPMENT, SPECIFICALLY, CHECK THE END CONNECTIONS OF CHIMNEY SECTIONS AND ELBOWS.

**NOTE:** The CV36 Series Fireplace may use EQUUS Model CF, 2 wall chimney components or EQUUS Model S, 3 wall chimney system. The installation procedure described in Section B (Installing the Chimney), applies to both systems. Either system may be used, but 2 wall and 3 wall components may not be mixed. For clarification, refer to the Accessory Section of this manual beginning on page 14. Components from Section 1 are common to all installations. Chimney components may be selected from Section 2 or Section 3, but may not be mixed.

**B-1. LOCATE CENTERPOINT OF CHIMNEY — STRAIGHT UP INSTALLATION.**

If the fireplace is positioned against the wall behind it, measure out 23¾ inches from that wall and make a mark on the ceiling above the fireplace. Draw a line through this mark parallel to the back wall, defining the centerline of the chimney. (See Fig. 5.) Then, using a plumb bob positioned directly over the centerpoint of the fireplace flue collar, mark the ceiling to establish the chimney centerpoint. (See Fig. 5.)

**B-2. LOCATE CENTERPOINT OF CHIMNEY — OFFSET INSTALLATION.**

In order to clear an obstruction, it may be necessary to offset the chimney from the vertical plane. This is done by using EQUUS Chimney Elbows: Models CF830A and/or 830A (30°). Each offset requires a pair of elbows. Use Table 1 and Fig. 6 to determine the offset that may be obtained using the various elbows.

Table 1. Offset dimensions.

	DIMENSIONS	
	T	S
	CF830A or 830A	CF830A or 830A
No Intermediate Section	0'3"	0'11"
One 1' Section	0'8¼"	1'8"
One 1½' Section	0'11¼"	2'1¼"
Two 1' Sections	1'1½"	2'5¼"
One 1' and One 1½' Section	1'4½"	2'10¼"
One 3' Section	1'8¼"	3'4¾"
Two 1' and One 1½' Sections	1'9¾"	3'7½"
One 4' Section	2'2¼"	4'3¼"
One 3' and One 1½' Section	2'4¼"	4'7¼"
One 4' and One 1' Section	2'7½"	5'0¼"
One 1', One 3' and One 1½' Section	2'10½"	5'5½"
Two 3' Sections	3'1½"	5'10¾"

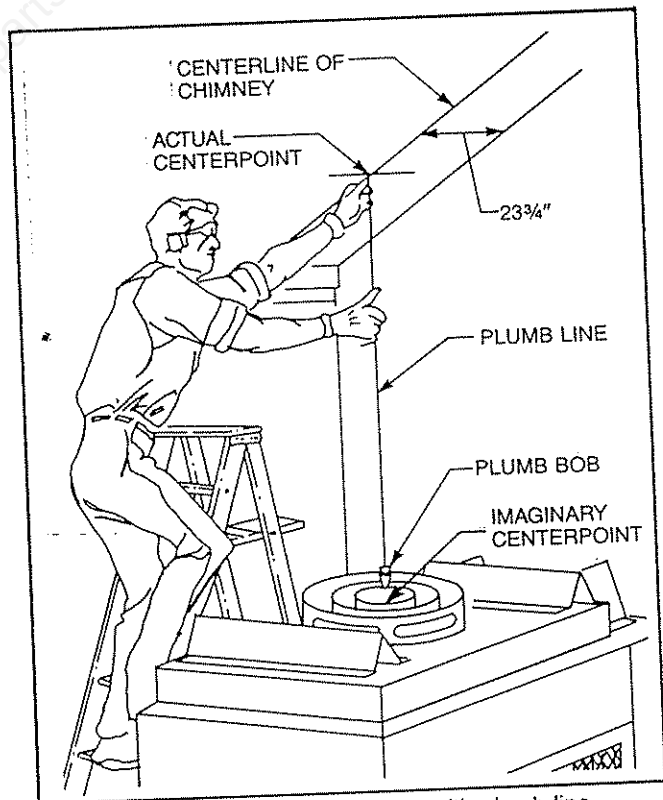


Fig. 5. Locate centerpoint of chimney with plumb line.

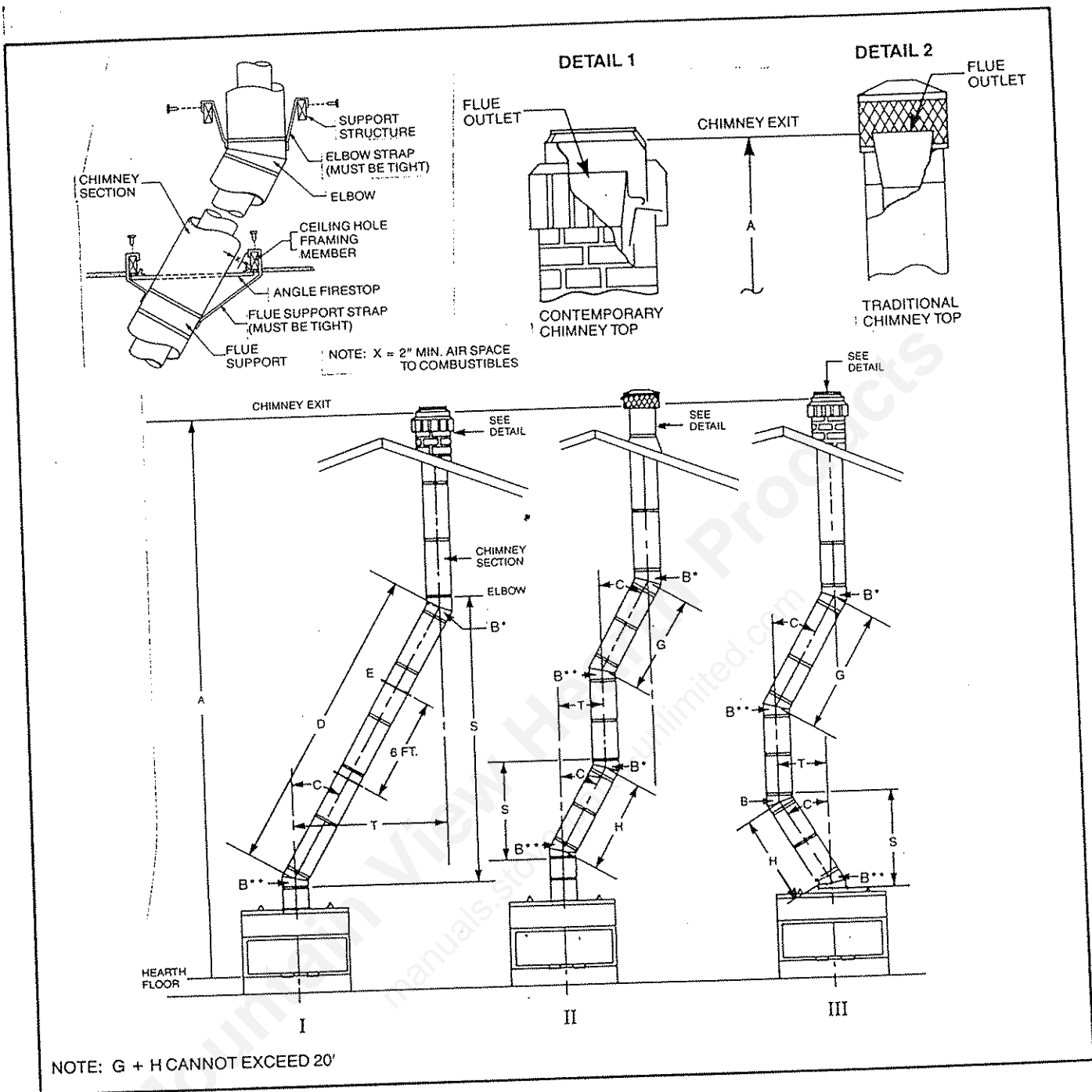


Fig. 6. Typical offset installations.

The following safety rules apply to offset installations. (The letters below match the letters in Fig. 6.)

A. Height of the chimney measured from the hearth to the chimney exit at top:

	CV36 Series
Maximum:	90 Feet
Minimum:	
Without Elbows	12 Ft. 6 In.
With 2 Elbows	14 Ft. 6 In.
With 4 Elbows	24 Ft. 2 In.

B. Do not use more than four elbows per chimney. Attach the straps of the top elbows to a structural framing member. The first elbow of any pair does not have straps.

C. The chimney cannot be more than 30° from the vertical plane.

D. The maximum length of the angled run of the total chimney system is 20 feet. (G plus H cannot exceed 20 feet.)

E. A chimney support (Model TCS8A) is required every 6 feet of angled run of chimney. Chimney supports are required at 30 feet and 60 feet of chimney height above the hearth also.

Define the offset distance of your chimney arrangement from the centerline of the fireplace to the centerline of the chimney where it is to pass through the first ceiling. NOTE: This offset distance may not be your full offset distance (T).

Locate on the ceiling the centerpoint of the chimney, as though a straight up chimney arrangement is to be used, by following the procedure outlined in Step B-1. Then measure your offset dimension from the straight up chimney centerpoint on the ceiling. (Fig. 7.)

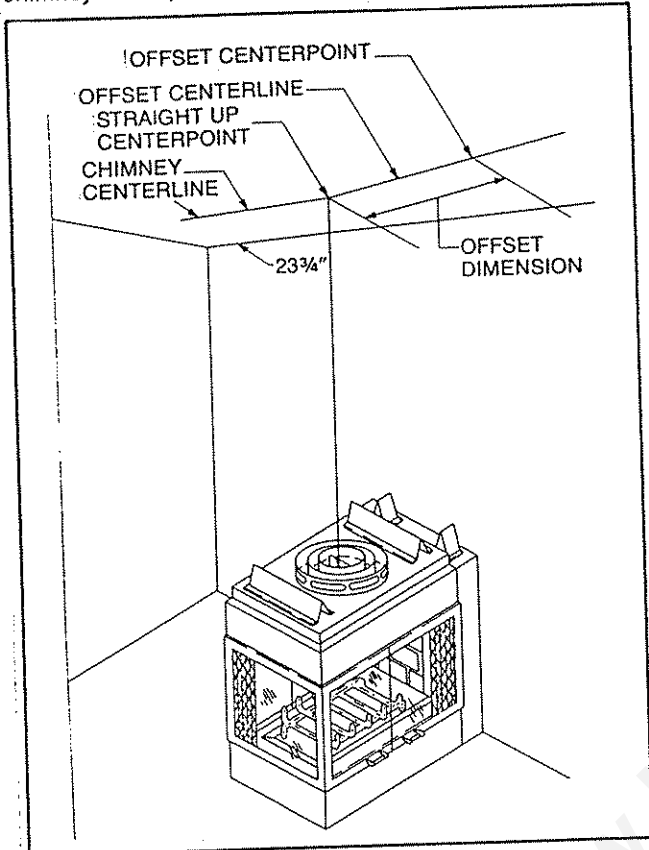


Fig. 7. Measure first ceiling offset distance from straight up centerpoint.

**□ B-3. MARK AREA OF CEILING CHIMNEY HOLE.**

The size of the ceiling chimney hole will vary with the angle at which the chimney passes through the ceiling. Refer to Table 2.

Drive a nail up through the ceiling at the marked chimney centerpoint. Go to the floor above and check where the hole will be cut, relative to the ceiling joists and any obstructions such as wiring or plumbing runs. If necessary, re-position the chimney and/or the fireplace to better accommodate these joists and/or obstructions.

**□ B-4. CUT CEILING CHIMNEY HOLE.**

After covering the opening of the fireplace collar, cut the chimney hole through the ceiling. Recheck the hole to be sure that it measures the hole size selected from Table 2.

**□ B-5. FRAME CEILING CHIMNEY HOLE.**

Frame the ceiling chimney hole as shown in Fig. 8. It is good practice to use framing lumber that is the same size as the ceiling joists. (This is a requirement at the attic level.)

The inside dimension of the frame must be the same as the hole size selected from Table 2 in order to provide the required 2 inch air space between the outside diameter of the chimney and the edges of the framed ceiling hole.

Table 2. Sizes of ceiling chimney hole.

Size of Chimney	Angle of chimney at ceiling	
	Vertical	30°
8" Flue	17 1/2 x 17 1/2	17 7/8 x 29 5/8

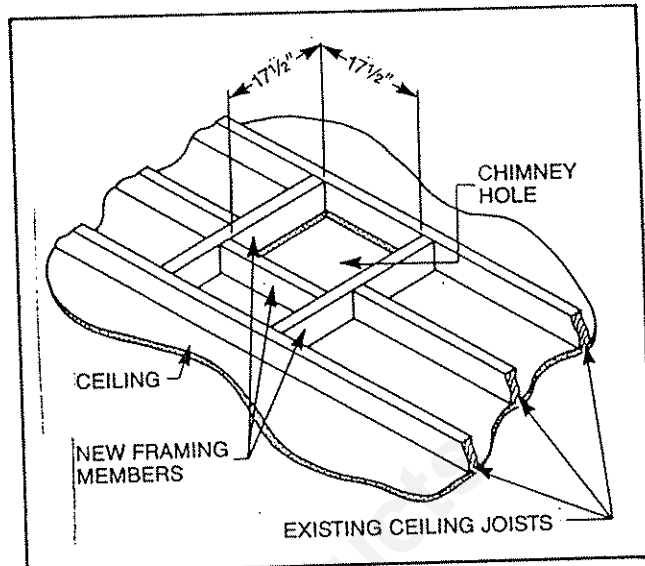


Fig. 8. Typical frame for ceiling chimney hole.

**□ B-6. INSTALL FIRESTOP SPACER.**

Firestop spacers are required for safety. The hole sizes listed in Table 2 for angled firestop spacers provide the minimum required air space to the chimney pipe for dished thicknesses up to 8 inches. When the combined thickness of the ceiling material, ceiling joists and flooring material exceeds 8 inches, adjustments must be made in the framing to assure that the minimum air spaces to the chimney are maintained.

If the area above the ceiling is not an attic, position the firestop spacer with the flange on the ceiling side and the dished or angled portion extending up into the hole. If the area above the ceiling is an attic, position the firestop spacer with the flange on the top of the framed hole and the dished or angled portion extending down into the hole. (See Figs. 9 & 10.)

Nail each corner of the firestop spacer to the framing members of the ceiling hole. NOTE: A firestop spacer is not required at the roof.

Table 3. Firestop model numbers.

TYPE FLUE	TYPE OF SPACER	MODEL NO.
8" straight	Dished	FS2A
8" 30° inclined	Angled	FS6A

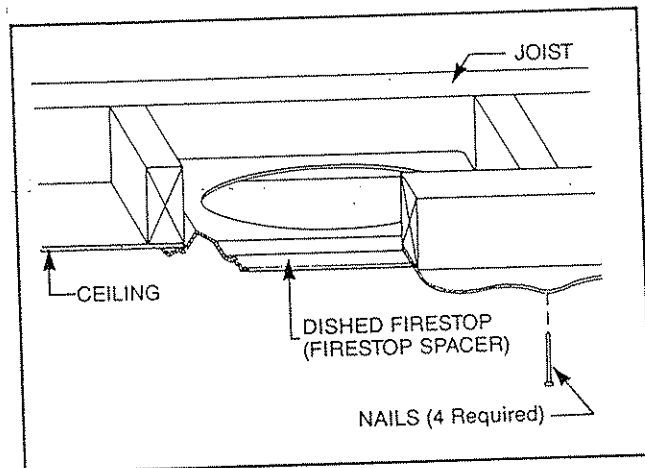


Fig. 9. Position of firestop when area above ceiling is not an attic.

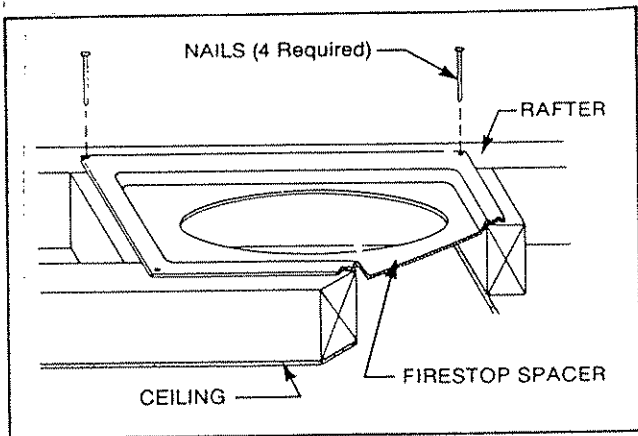


Fig. 10. Position of firestop when area above ceiling is an attic.

**□ B-7. ATTACH CHIMNEY SECTIONS.**

Attach the first straight chimney section to the fireplace collar, or elbow if offset installation. (Refer to Step B-8.) Mount the flue pipe first, using the built-in snap-lock fasteners. (See Fig. 11.) Then mount the additional pipe(s). Position each pipe section so the direction arrow is pointing UP.

Make sure each pipe is firmly snapped and locked together as it is mounted.

Continue installing chimney sections until ONE SECTION (all pipes) extends up through the ceiling hole. To extend through the ceiling, it may be necessary to assemble all pipes, push them up through the ceiling hole and then slide them down one at a time to connect them.

**□ B-8. ATTACH FIRST ELBOW — OFFSET INSTALLATION.**

If the first elbow is not to be attached to the fireplace, install chimney sections as required.

Attach first elbow where required. Note that only the outer pipe snap-locks.

Attach the straps of all upper elbows to a structural framing member. (See Fig. 6.)

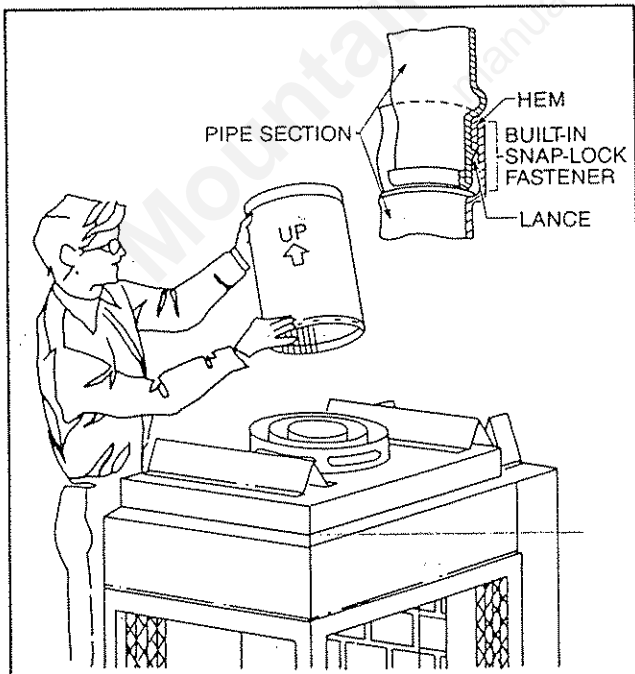


Fig. 11. Use built-in snap-lock fasteners to attach chimney pipe sections.

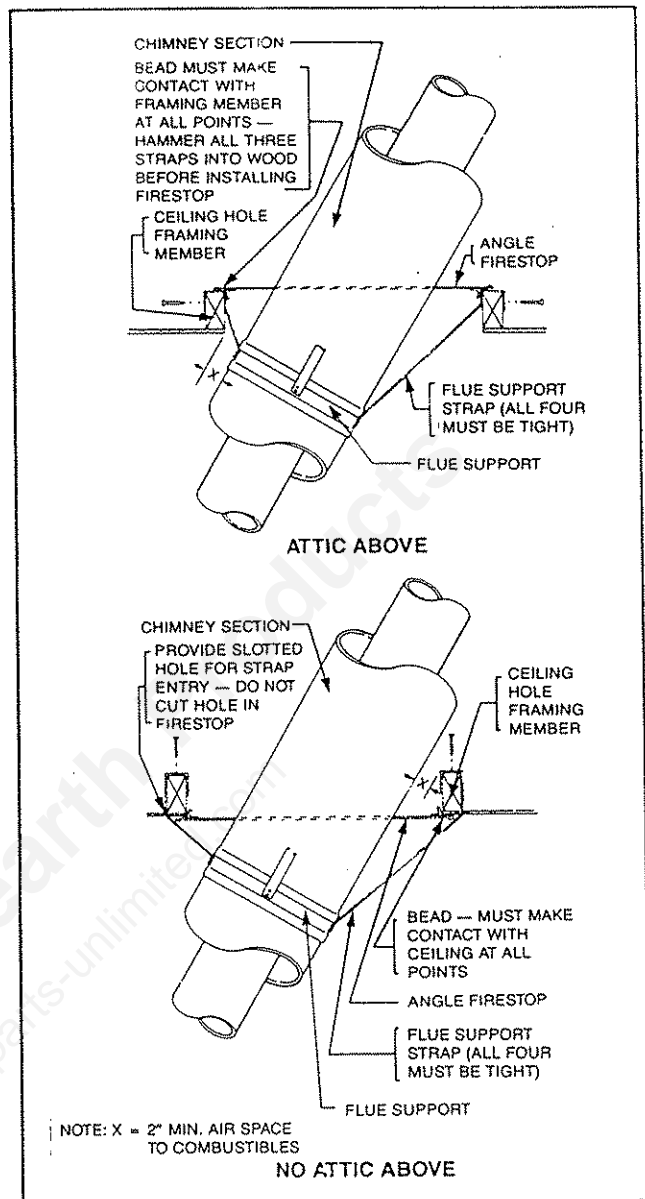


Fig. 12. Mount flue supports at ceiling hole frames or other structural framing.

**□ B-9. DETERMINE HOW MANY CHIMNEY SUPPORTS ARE NEEDED.**

The chimney system is supported by the fireplace for chimney heights less than 30 feet of vertical height above the hearth. Chimney supports are required if the chimney height exceeds 30 feet. Locate chimney supports at ceiling holes or other structural framing at 30 foot heights. Spacing between chimney supports must not exceed 30 feet. Use EQUUS Chimney Support Model TCS8A. (NOTE: The TCS8A can not be mounted directly to the fireplace.) Support provided by elbow straps fulfills the support requirement only if they are spaced as required above.

Angled chimney runs require support every 6 feet in addition to the elbow straps. EQUUS Chimney Supports are used for this function.

Refer to Step B-2 to determine how many chimney supports are needed and where they will be placed in the chimney run.

**NOTE:** A chimney support is 2½ inches long when installed. This dimension must be considered when determining how many straight chimney sections are needed to provide the desired offset.

**B-10. INSTALL CHIMNEY SUPPORTS.**

Chimney supports are attached to chimney sections the same way elbows are attached. Refer to Step B-8. Nail the chimney support straps to adjacent structural framing, as shown in Fig. 12. Bend the straps as necessary and make sure they are tight so they will be able to support the weight of the chimney.

**B-11. LOCATE CENTERPOINT OF NEXT CEILING HOLE.**

**NOTE:** If there is no other ceiling, you have completed Section B. Turn now to Section C, *Penetrating the Roof*.

In a manner similar to that used in Steps B-1 and B-2, mark the centerpoint of the next ceiling hole.

**B-12. PREPARE SECOND CEILING HOLE.**

Repeat Step B-3. Mark area of ceiling chimney hole; B-4, Cut ceiling chimney hole; B-5, Frame ceiling chimney hole; and B-6, Install firestop spacer.

**B-13. CONTINUE INSTALLING CHIMNEY SECTIONS.**

Continue installing chimney sections and chimney supports (as required), until the chimney passes through the second ceiling hole.

**NOTE:** Repeat Steps B-11 through B-13 as many times as necessary to pass through all the ceilings in the building and bring the chimney just short of the roof.

### C. Penetrating the Roof

The chimney system must be vented out-of-doors and must be terminated in an approved EQUUS top termination.

**C-1. LOCATE CHIMNEY CENTERPOINT AT ROOF.**

Use the same procedure detailed in Steps B-1 and B-2.

Drive a nail up through the roof at the marked centerpoint. This will mark the centerpoint on the outside of the roof.

**C-2. CUT AND FRAME ROOF HOLE.**

The size of the roof hole varies with the type of chimney top that will be installed. Refer to the installation instructions provided with your EQUUS chimney top termination to find the correct size of roof hole for this installation. There must be at least 2 inch air space between the outermost portion of the chimney sections and any adjacent combustible (burnable) surfaces.

**WARNING: DO NOT PACK REQUIRED AIR SPACES WITH INSULATION OR OTHER MATERIALS.**

(Combustible surfaces include such things as ceiling members, joists, flooring, combustible insulation and roof structures.)

Mark the outline of the roof hole around the centerpoint nail. **Note:** The hole dimensions given in the chimney top installation instructions are horizontal dimensions; therefore, the hole size must be marked on the roof accordingly.

Cover the opening of the installed chimney.

Cut and frame the hole. It is good practice to use framing lumber that is the same size as the rafters. **Install frame securely. Chimney top and flashing anchored to frame must withstand heavy winds.**

**C-3. DETERMINE MINIMUM CHIMNEY HEIGHT ABOVE ROOF.**

Major U.S. building codes specify minimum chimney height above the roof top. These specifications are summarized in the *Ten Foot Rule*. (See Fig. 13.) The key points of this rule are:

1. If the horizontal distance from the center of the chimney to the peak of the roof is 10 feet or less, the top of the chimney must be at least 2 feet above the peak of the roof, but never less than 3 feet in height above the highest point where it passes through the roof.
2. If a horizontal distance from the center of the chimney to the peak of the roof is more than 10 feet, a chimney height reference point is established that is on the surface of the roof a distance of 10 feet from the center of the chimney in a horizontal plane. (See Fig. 13.) The top of the chimney must be at least 2 feet above this reference point, but never less than 3 feet in height above the highest point where it passes through the roof.

These chimney heights are necessary in the interest of safety and do not assure a smoke-free operation.

**C-4. INSTALL REMAINDER OF CHIMNEY SECTIONS.**

Continue installing chimney sections up through the roof hole. Check your chimney top installation instructions for data on how high above the roof top the CHIMNEY SECTIONS (all pipes) should go.

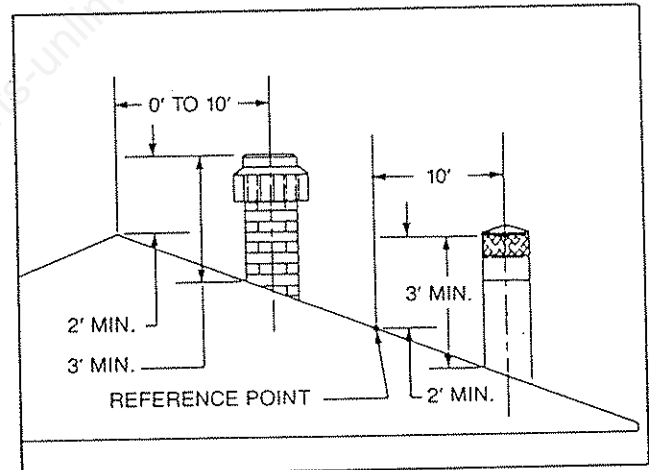


Fig. 13. Ten foot rule for chimney height.

**C-5. INSTALL CHIMNEY TOP HOUSING OR TERMINATION.**

Follow the installation instructions provided with the EQUUS chimney top you have selected.

## D. Install Flashing and Chimney Top

Follow the installation instructions provided with the EQUUS chimney top you have selected.

## E. Install Outside Air Kit

Install outside air kit if desired or required by local code. Refer to AK-MST installation instructions supplied with the appropriate kit. This kit **MUST** be installed before the fireplace is enclosed.

The outside air control is located in the left inside front corner of the fireplace. (See Fig. 1.) To "open," push control rod in. To "close," pull control rod out.

## F. Insulating Fireplace Enclosure For Cold Climates

In cold climates, insulation of the enclosure around the fireplace is critical to avoid future problems with cold air. The following steps are suggested to eliminate potential cold air problems.

### F-1. INSULATE BASE OF FIREPLACE.

Insulate the base of the fireplace with a non-combustible insulation rated for a minimum of 300°F. This step is particularly important for outside wall installations over concrete slab floor construction. If a platform is used to raise the fireplace, the insulation should be placed on top of the platform before the fireplace is set. (See Fig. 14.)

### F-2. INSPECT JOINTS.

Inspect joints of the fireplace as well as the points of sealing between the fireplace and the finishing materials. Any cracks should be sealed with non-combustible caulking or insulation. See Fig. 15 for details of sealing spaces between the fireplace and finishing materials.

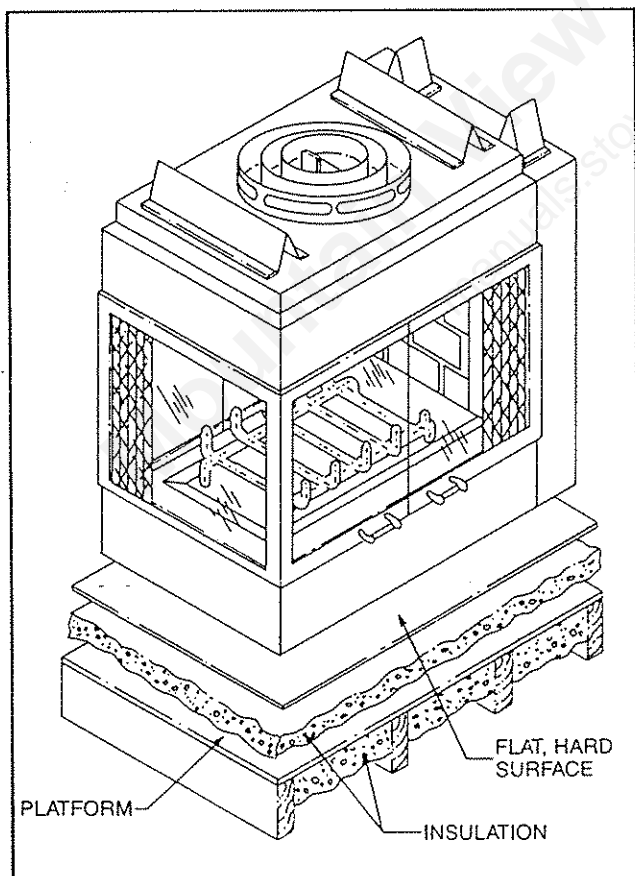


Fig. 14. Insulation between platform and fireplace.

### F-3. INSULATION OF ENCLOSURE.

When a fireplace is installed on an outside wall, the enclosure should be insulated like any other wall of the home. Insulation should be installed on the inside wall as well as the outside wall(s). Install a firestop at the first ceiling level above the fireplace and close the framing with sheeting material. Insulation may then be installed above the sheeting material to assure the space around the fireplace is totally protected. See Fig. 16 for additional details of suggested insulating methods.

**CAUTION: WHILE INSTALLING A FIREPLACE IN AN INSULATED ENCLOSURE, BE SURE ALL MARKED AIR SPACES ARE MAINTAINED.**

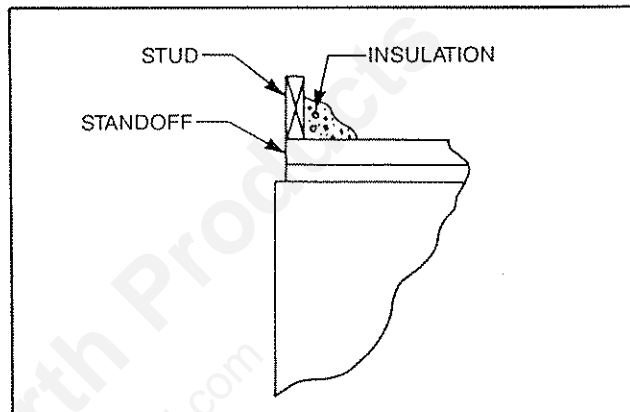


Fig. 15. Sealing spaces between fireplace and finishing materials.

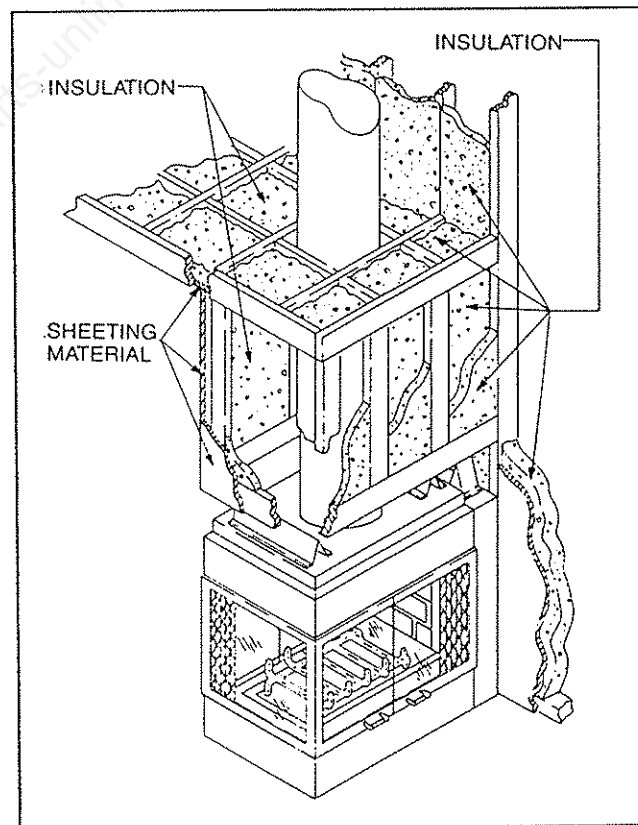


Fig. 16. Additional insulating methods.

## G. Framing and Finishing

### □ G-1. DETERMINE WHEN TO INSTALL FRAMING.

Fireplace framing can be built before or after the fireplace is set in place. Fig. 17 shows the minimum framing dimensions.

### □ G-2. BUILD FRAMING.

The fireplace framing should be constructed of 2 x 4 lumber or heavier. Refer to *Dimensions* on page 14 for basic fireplace dimension that will affect the framing dimensions.

The header may rest on the fireplace standoffs.

Framing should be positioned to accommodate wall covering and fireplace facing material. (See Figs. 18, 19 and 20 for typical arrangements.)

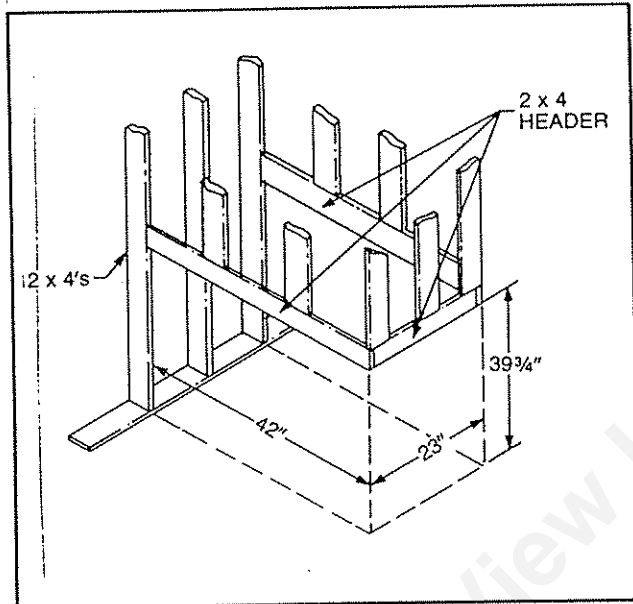


Fig. 17. Minimum fireplace enclosure dimensions.

**CAUTION:** All joints between the finished wall and the fireplace surround (top and sides) must be sealed with non-combustible material. Only non-combustible material may be applied as facing to the fireplace surround.

### □ G-3. FINISH WALL.

Finish the wall with material of your choice. Do not install a combustible mantle closer than 15 inches above fireplace opening.

If combustible material is used, consult your local building codes for the minimum clearance from the top of the fireplace opening to the bottom of the mantel.

When finishing the fireplace, a combustible facing material (i.e. drywall or wood paneling) may be installed at the fireplace surround top as shown in Figure 18.

All joints (top, bottom and sides), where the wall or decorative facing material meets the fireplace surround must be completely sealed with a non-combustible material. (See Figs. 18, 19 and 20.)

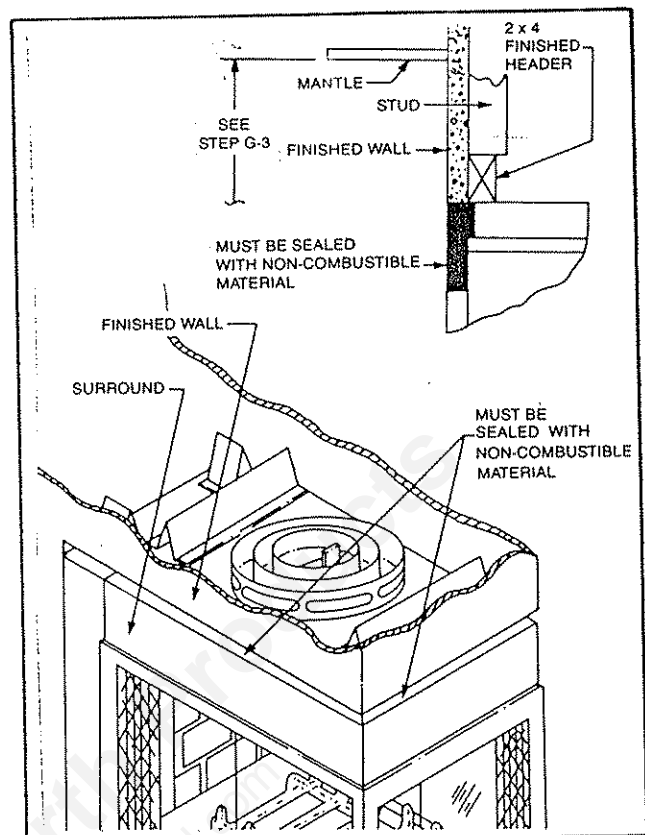


Fig. 18. Fireplace surround flush with finished wall.

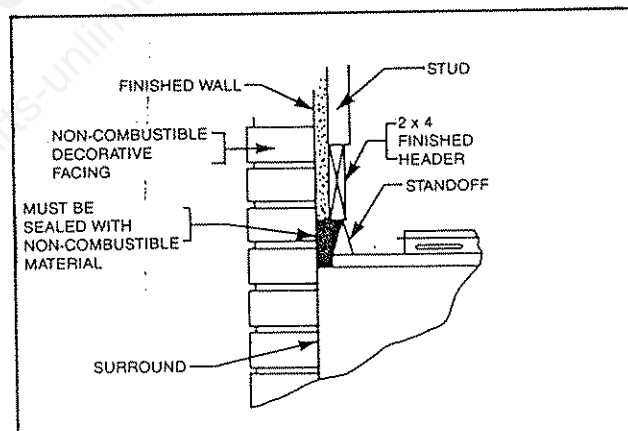


Fig. 19. Fireplace surround flush with finished wall.

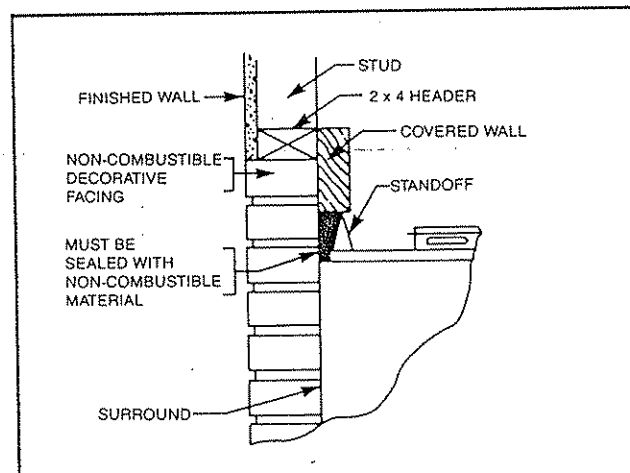


Fig. 20. Facing on fireplace surround flush with finished wall.

**G-4. SIDE WALL CLEARANCE.**

Adjacent combustible side walls must be a minimum of 22" from the fireplace end and a minimum of 54" from operable left and right side doors.

**G-5. INSTALL HEARTH EXTENSION.**

A hearth extension is required to protect combustible floor construction in front of the fireplace. (See Fig. 21.)

The hearth extension described in Fig. 21 **must** be constructed of a rigid insulation with a minimum R value of 0.93. (See Table 4 for examples.) The overall height (above combustible floor), depth and width must be as indicated, with it centered to the fireplace opening.

MATERIAL	K*	R	MINIMUM THICKNESS
Manville Ceraform 126	0.27	3.70	0.25 in.**
EQUUS Building Products EH2416	0.458	2.18	0.43 in.
Common Brick	5.0	0.20	4.63 in.

R Value is for one (1) inch  
 \* Units of K = BTU/SQ FT/HR/°F/IN  
 \*\* Thickness of Listed Material

TABLE 4. Common materials and their factors.

The top of the insulation must be covered with a non-combustible decorative covering or a piece of .018" minimum sheet metal, to protect the hearth extension material. (See Fig. 21.)

Secure the hearth extension to the floor to prevent shifting, using trim molding or other similar means at the three (3) outer edges. Seal the crack between the fireplace hearth and the hearth extension with a non-combustible material.

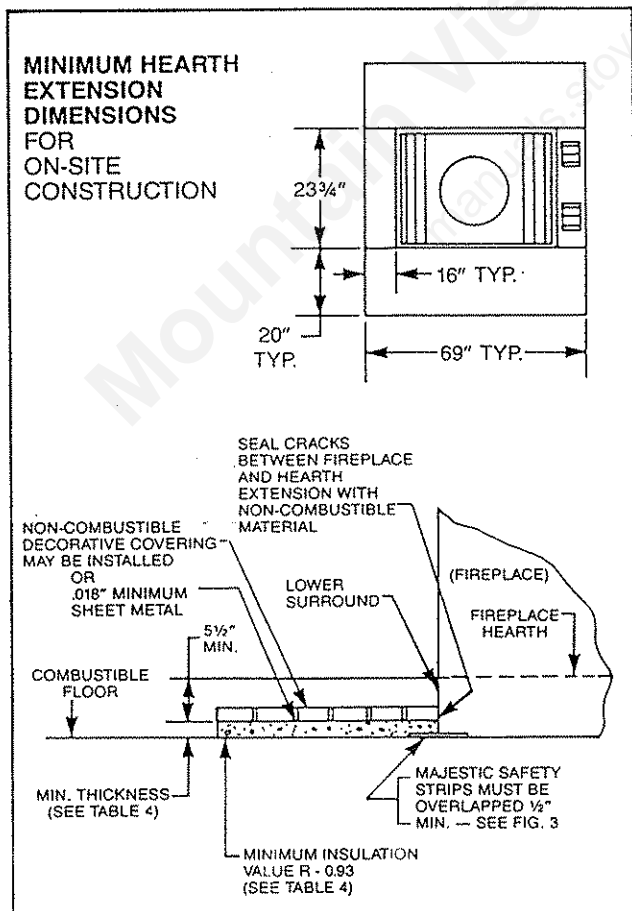


Fig. 21. Hearth extension dimensions.

Alternate, non-combustible materials may be used, providing the thermal resistance (R value) of the alternate material employed is greater than or equal to an R = 0.93. The thermal resistance (R) or the thermal conductivity (K), may be obtained from the manufacturer of the material. The factors are related by the formula  $K = 1/R$ .

T = given thickness

R = thermal resistance for a given thickness (T)

K = thermal conductivity

Non-combustible materials with a lower R value per inch may be used, provided the thickness of the material is sufficiently greater to maintain an equivalent thermal resistance (R).

**EXAMPLE OF DETERMINING HEARTH EXTENSION EQUIVALENT**

To determine the thickness required for any **new** material:

$$\text{NEW required thickness} = \frac{\text{K of new material (per inch)}}{\text{K of listed material (per inch)}} \times \text{thickness of listed material}$$

**EXAMPLE FOR EQUUS BUILDING PRODUCTS EH2416 MILLBOARD**

$$T \text{ (new)} = 0.458/0.27 \times 0.25 \text{ in.} = 0.43 \text{ in. (new required thickness)}$$

**G-6. OPERATING GLASS DOORS.**

Your fireplace is equipped with glass doors, start the fire and leave the doors fully open (with screens closed). AFTER the fire is well started, then the doors may be closed. Do not close the glass doors on an excessively hot fire. The glass must be allowed to warm slowly. An excessively hot fire can be created by such things as pitch laden logs, very dry mill end lumber, or large amounts of paper or cardboard cartons. Keep the fire well back from the doors and never let flames contact the glass.

**WARNING:**  
 FIREPLACES EQUIPPED WITH DOORS SHOULD BE OPERATED WITH DOORS FULLY OPEN OR DOORS FULLY CLOSED. IF DOORS ARE LEFT PARTLY OPEN, GAS AND FLAME MAY BE DRAWN OUT OF THE FIREPLACE OPENING, CREATING RISKS OF BOTH FIRE AND SMOKE. (See Fig. 22 for correct door positions.)

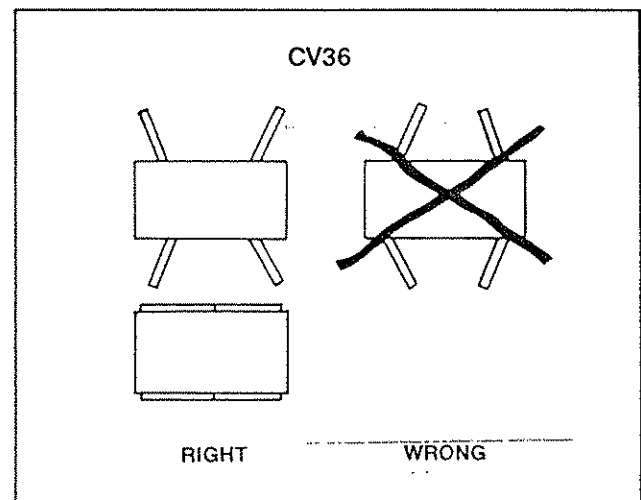


Fig. 22. Correct glass door position.

**□ G-7. INSTALL DECORATIVE GAS APPLIANCE.**

The Majestic CV36 Series fireplace is designed to accept a 1/2 inch gas line for an approved gas appliance. Have the appliance installed by a qualified plumber in accordance with all building codes. The gas connection **MUST** enter from the bottom of the fireplace.

Locate the gas line hole in the base pan of the fireplace and remove the insulation from the gas line tube. (Refer to Fig. 23).

Next, insert a 1/2 inch gas pipe through the gas line tube from the outside of the fireplace and forcibly punch out the ceramic knockout on the inside of fireplace.

Now, install the 1/2 inch gas pipe through the opening. After the gas pipe installation is complete, use the insulation that was removed from the gas line tube to repack the space around the pipe. This should be inserted from the inside of the fireplace and packed tightly to totally seal between the pipe and the tube.

**NOTE:** The gas pipe should not come in contact with any wood structures until it has reached a point at least one (1) inch away from the fireplace bottom. (See Fig. 23 for installation clarification.)

**NOTE:** Local codes may require removal of the flue damper when installing any type of gas appliance in a fireplace. For instructions on damper removal, contact your Majestic Dealer or refer to Majestic Instruction BF151. Heat output of a gas appliance installed in the fireplace should be rated less than 100,000 BTU/Hr.

The gas pipe installation is intended for connection to a decorative gas appliance only, in accordance with the National Fuel Gas Code, ANSI Z223.1-1984.

**CAUTION: WHEN USING DECORATIVE GAS APPLIANCE, THE FLUE DAMPER MUST BE SET IN THE FULLY OPEN POSITION.**

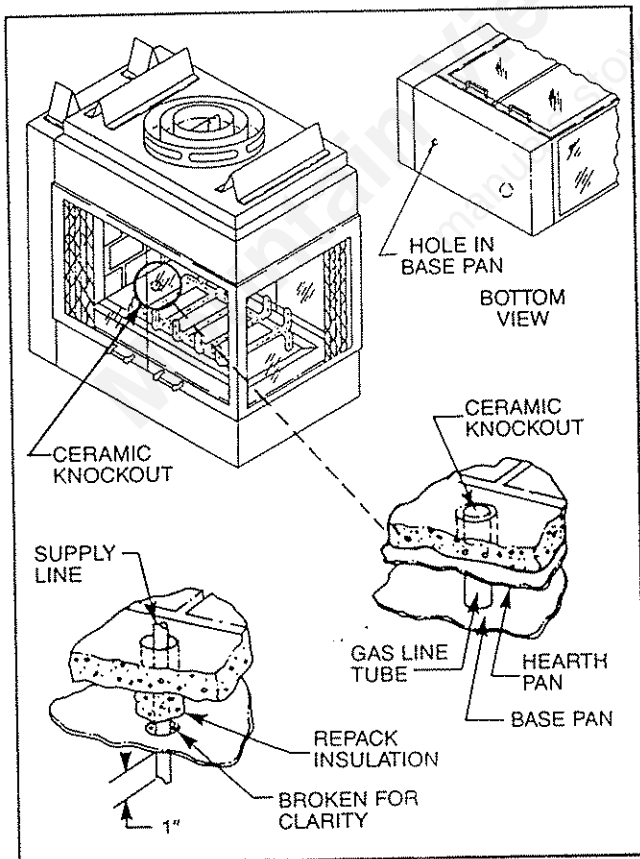


Fig. 23. Install iron pipe gas line through provided hole in bottom of fireplace.

**Reference Data**

**AIR SPACE DATA**

The Majestic CV36 Series fireplace can be located directly on a flat hard-surfaced combustible floor, against a combustible wall or on a wooden platform without air space from combustible construction. Some protection, however, is required for adjacent surfaces as detailed in Fig. 24.

The minimum air space-to-combustibles requirements for chimney sections and dome are detailed in Fig. 24.

**WARNING: DO NOT PACK REQUIRED AIR SPACES WITH INSULATION OR OTHER MATERIALS.**

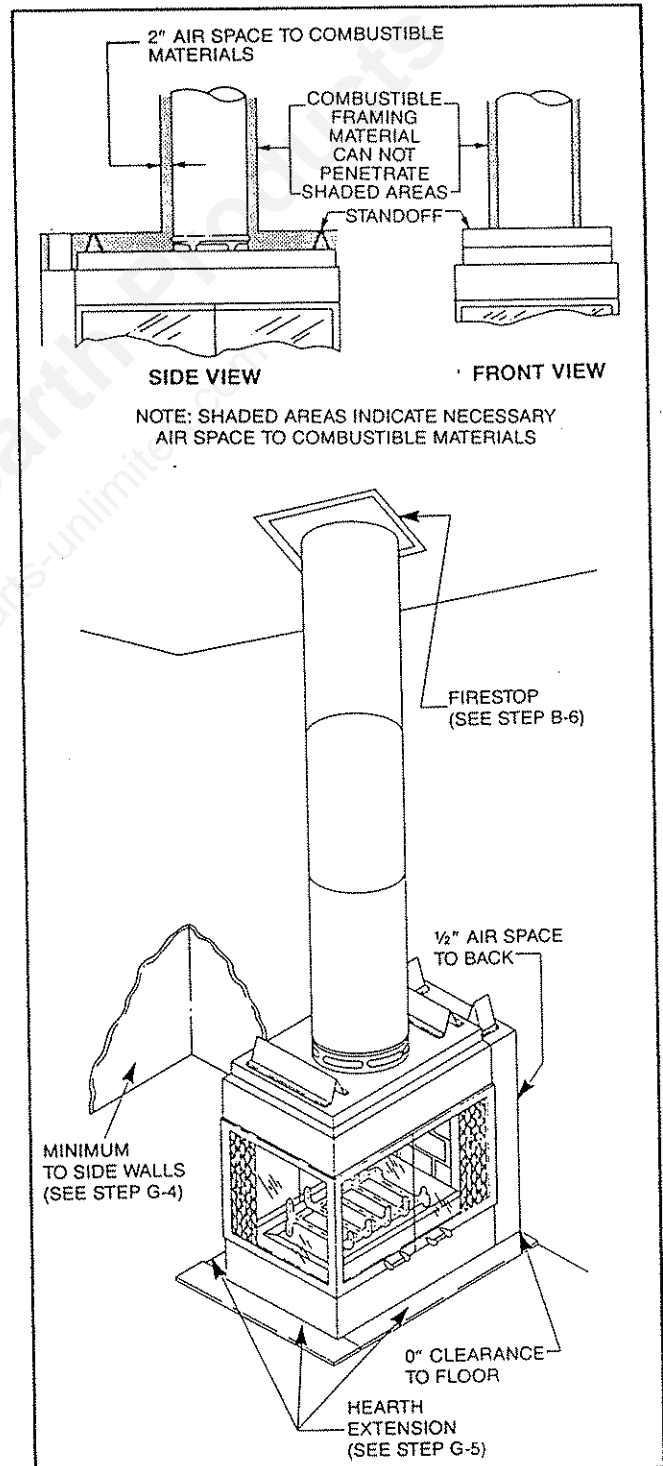


Fig. 24. Minimum air spaces to combustible materials.

DIMENSIONS

BOTTOM VIEW

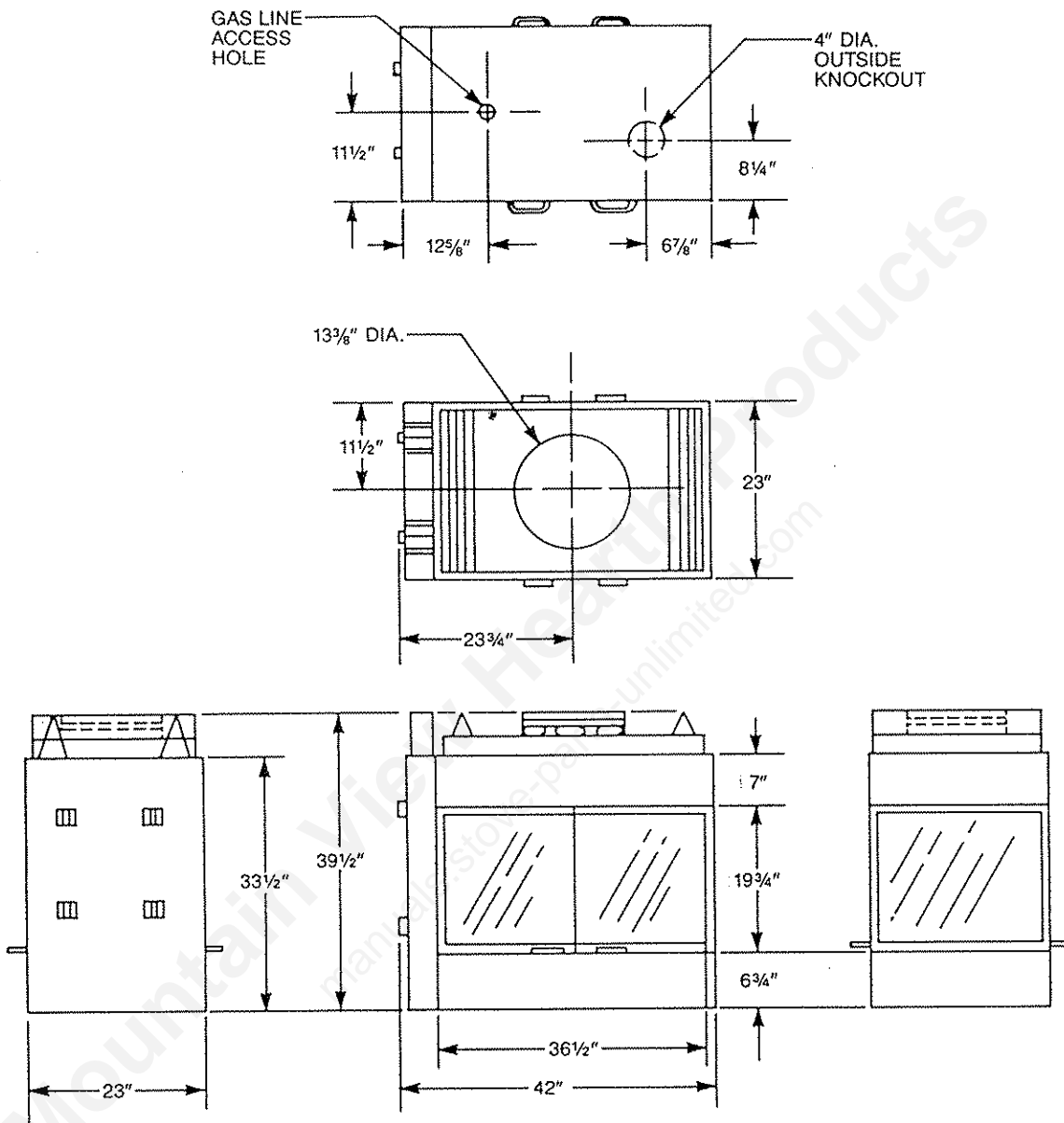


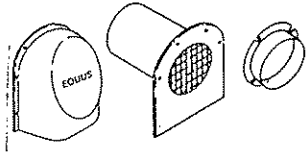

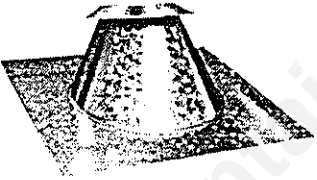
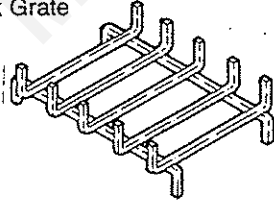

Fig. 25. Dimensions of CV36.

## Accessory Parts

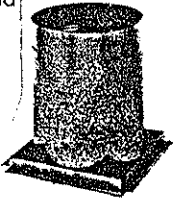
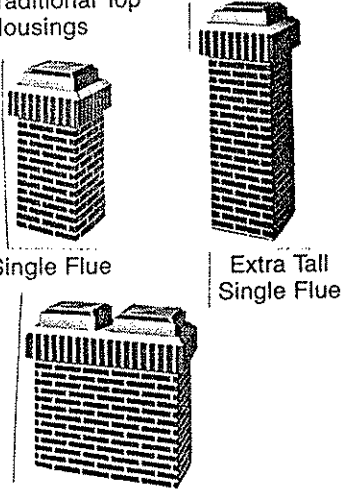
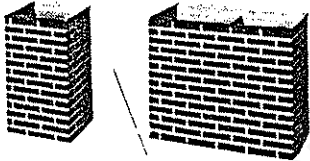
The following accessory parts can be obtained from your Majestic Dealer. The top terminations, outside air kit, glass doors, and hearth patching kits are supplied with installation instructions packaged with the unit. Should you need additional information beyond what your dealer can furnish, contact the Majestic Company, Huntington, Indiana 46750, Attention: Director of Customer Service.

**CAUTION:** This fireplace and chimney assembly is a highly engineered system and, as such, must be operated only with Majestic or Equus Building Products approved components that have been designed as parts of the system. If you use an unapproved component or make any modifications, you may possibly cause a fire hazard and will void the Majestic warranty. In addition, such action may void the coverage provided by the owner's home insurance.


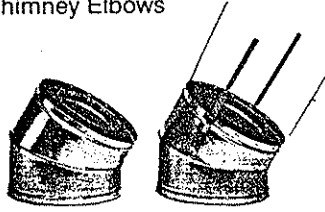
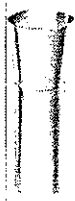
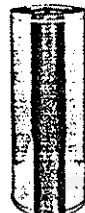
### SECTION 1

Accessory	Description	Model No.
<p>Outside Air Kit</p> 	<p>Designed to provide outside air for fuel combustion in the firebox. This accessory <b>must</b> be installed before the fireplace is installed.</p>	<p>AK-MST</p>
<p>Chimney Support</p> 	<p>Used to support the chimney at each 30 feet of vertical height above the hearth and at every 6 feet of inclined chimney run. Each support adds 2½ inches to chimney length.</p>	<p>TCS8A (8" flue)</p>
<p>Contemporary Flashing</p> 	<p>Required for contemporary round top termination on the roof to prevent rain entry.</p>	<p>8-6-12 (8" flue: 0 to 6/12 pitch) 8-12-12 (8" flue: 6/12 to 12/12 pitch)</p>
<p>Hearth Patching Kit</p>	<p>Used to patch cracks in hearth.</p>	<p>HPC1</p>
<p>Basket Grate</p> 	<p>Used in the firebox to hold firewood.</p>	<p>Standard Equipment Replacement RBG-ISLAND</p>
<p>Firestop</p> 	<p>Required at each floor level and attic on multi-story installation.</p>	<p>FS2A (8" straight flue) FS6A (8" 30° inclined flue)</p>


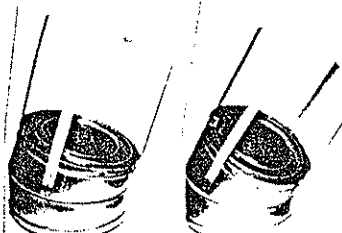
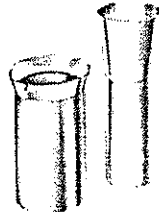
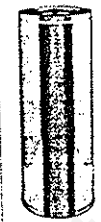

SECTION 1 (Continued)

Accessory	Description	Model No.
<p>Radiant Shield</p> 	<p>Used as an alternate to the FS2A firestop to reduce the clearance from the chimney to combustible framing.</p>	<p>RS-8A</p>
<p>Traditional Top Housings</p>  <p>Single Flue</p> <p>Extra Tall Single Flue</p> <p>Double Flue</p>	<p>Gives traditional chimney top look using simulated brick in red, tan or white color. Brick pattern is embossed into galvanized steel unit. Roof flashing is included. Appropriate adapter is required. See Sections 2 and 3.</p>	<p>T20A (single flue) TL20A (extra tall single flue) T44A (double flue)</p>
<p>Housing Extensions</p> 	<p>Required to extend Traditional Top Housings on steeply pitched roofs.</p>	<p>202036 (single flue) 204436 (double flue)</p>

**SECTION 2**  
**(2 Wall Chimney Components)**

Accessory	Description	Model No.
<p>Contemporary Round Top Termination</p> 	<p>Used to terminate chimney on the roof. Flashing not included.</p>	<p>CF8-42</p>
<p>Chimney Elbows</p> 	<p>Used to develop offset chimney systems. 30° elbows are available. (8 inch elbows packed 2 per carton — upper and lower elbow set)</p>	<p>CF830A/2 (8" 30° flue)</p>
<p>Adapter Kit</p> 	<p>Required to unite chimney with Traditional Top Housing.</p>	<p>CF8CA (8" flue)</p>
<p>Chimney Sections</p> 	<p>Used to build chimney systems.</p>	<p>(8" flue) CF81 (1' long) CF818 (1½' long) CF83 (3' long) CF84 (4' long)</p>

**SECTION 3  
(3 Wall Chimney Components)**

Accessory	Description	Model No.
<p>Contemporary Round Top Termination</p> 	<p>Used to terminate chimney on the roof. Flashing not included.</p>	<p>RT8C (8" flue)</p>
<p>Chimney Elbows</p> 	<p>Used to develop offset chimney systems. 30° elbows are available. (Elbows packed 2 per carton — upper and lower elbow set)</p>	<p>830A/2 (8" 30° flue)</p>
<p>Adapter Kit</p> 	<p>Required to unite triple-wall chimney with Traditional Top Housing.</p>	<p>8CA (8" flue)</p>
<p>Chimney Sections</p> 	<p>Used to build chimney systems.</p>	<p>(8" flue) 81 (1' long) 818 (1½' long) 83 (3' long) 84 (4' long)</p>
<p>Chimney Band</p> 	<p>Used ONLY with 3 wall chimney to reduce air infiltration.</p>	<p>TWC8A</p>

Mountain View Hearth Products  
manuals.stove-parts-unlimited.com

LISTINGS FOR RESIDENTIAL CONSTRUCTION: CV36  
• UNDERWRITERS LABORATORIES REPORT NO. MH 11960



Underwriters' Laboratories, Inc.

**MAJESTIC**

A Division of Equus Building Products, L.P.

Huntington, IN 46750-2579 (219) 356-8000