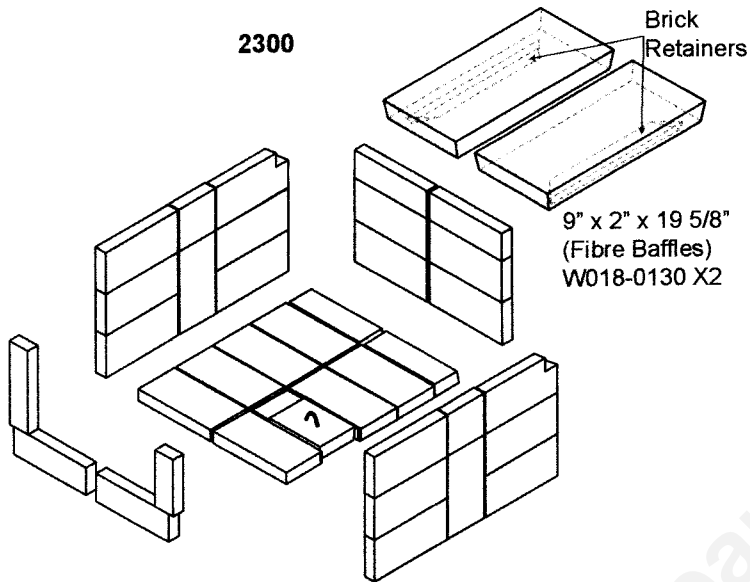


## VORTEX BAFFLE ADDENDUM

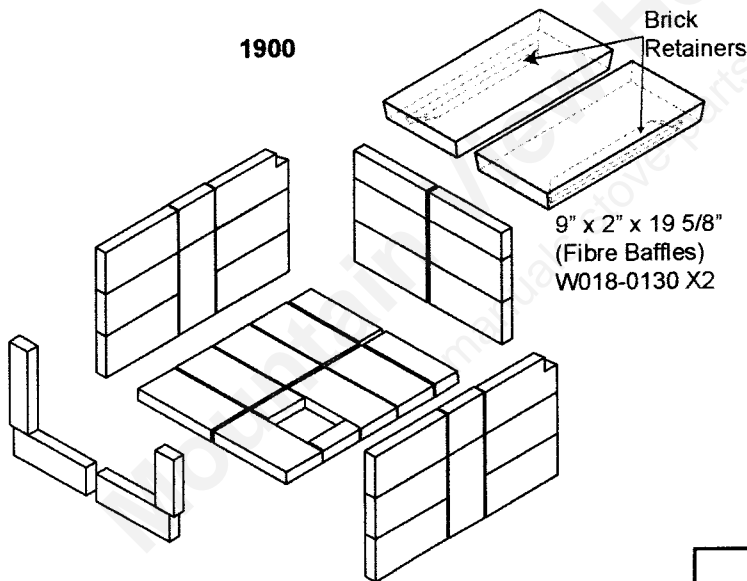
The following sections of your installation manual have been updated as a continuous improvement. Please refer to the instructions below in place of those in your installation manual.



2300

Brick Retainers

9" x 2" x 19 5/8"  
(Fibre Baffles)  
W018-0130 X2



1900

Brick Retainers

9" x 2" x 19 5/8"  
(Fibre Baffles)  
W018-0130 X2

**With appliance and chimney installation completed, move the bricks into place for your appliance as illustrated.**

- A. Install the bottom bricks, working from the back of the appliance forward.
- B. Before installing the back bricks, loosen the screw holding the brick retainer and ensure that it has been moved forward. Install the six bricks along the back wall by pivoting the bricks up under the brick retainer. Retighten the screw.
- C. Referring to the appropriate illustration for your appliance, install the first two rows of side bricks as shown. Pivot fibre baffle into place, with the brick retainer down and towards the outside of the unit. Slide top row of bricks into place to support the baffle. Baffle must sit flat on outside row of bricks as well as the flange on the manifold shield. Push baffle all the way to the rear of the firebox, leaving a minimum of a 1" gap along the front. This will allow flue gases to escape the firebox.
- D. Install the 4 bricks along the front opening.

**NOTE: Do not operate if baffle and manifold shield are not in position.**

USE THIS ADDENDUM WITH THE FOLLOWING REVISION LEVELS OR EARLIER

MANUAL #	ENGLISH REVISION	FRENCH REVISION
W415-0763	Ae / 11.03.10	Af / 11.17.10
W415-0892	-e / 03.05.10	-f / 09.01.10

Quality System Certified to  
**ISO**

9001-2008

W415-1000 / 01.10.11