

FIG. 17-3A - CL115-170G WOOD/OIL COMBINATION FURNACE ASSEMBLY

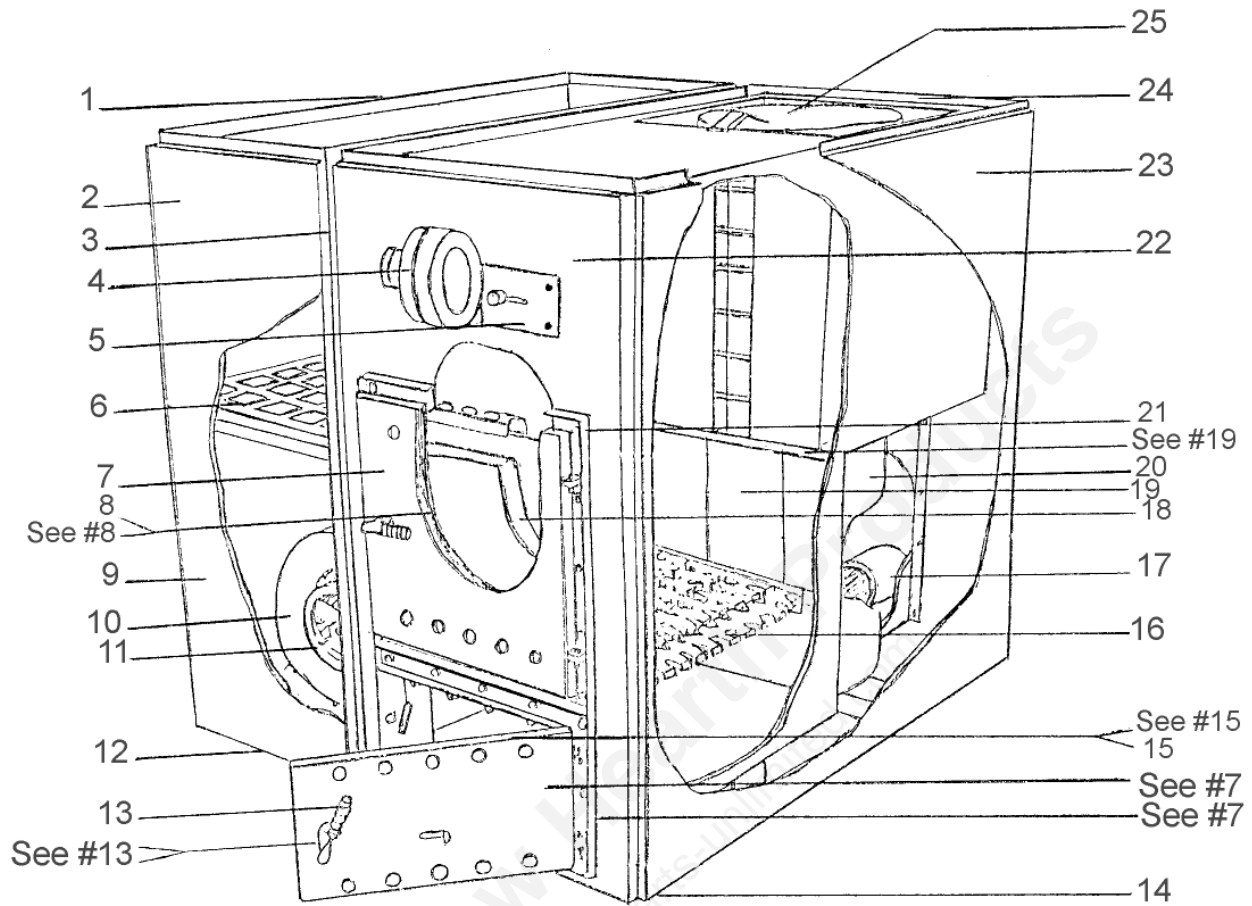


FIG. 17-3B - PARTS LIST - CL115-170G

ITEM NO	PART NO	DESCRIPTION
1	4120202	Blower Section Side Panel
2	4120305	Blower Section Small Panel
3	4120312	Fan Partition Panel
4	2040002	100 CFM Draft Fan
5	5300012	Slide Plate Assembly
6	2180003	Filter 20" X 25" X 1"
7	5300003	Firedoor/Ashdoor Set Complete
8	5300007	Firedoor Gasket Set Complete
9	4120322	Blower Section Access Panel
10	2040104	10" Air Circulating Twin Blower
11	2240003	Blower Pulley 8" X 3/4"
12	4120402	Blower Section Base Panel
13	5300009	Firedoor Handle Complete
14	4120409	Furnace Section Base Panel
15	5300008	Ashdoor Gasket Set Complete

ITEM NO	PART NO	DESCRIPTION
16	2170007	Cast Grate
17	5400047	Aero Burner
17	2110128	Beckett Burner
18	4060116	Firedoor Air Chute
19	2170009	Cast Liner
20	2030001	Corbel Combustion Chamber
21	2080020	Front Gasket
22	4120117	Furnace Section Front Panel
23	4120213	Furnace Section Side Panel
24	4120103	Furnace Section Back Panel
25	4060138	Heat Exchanger
	4060128	Ash Pan
	3090183	Grate Plate