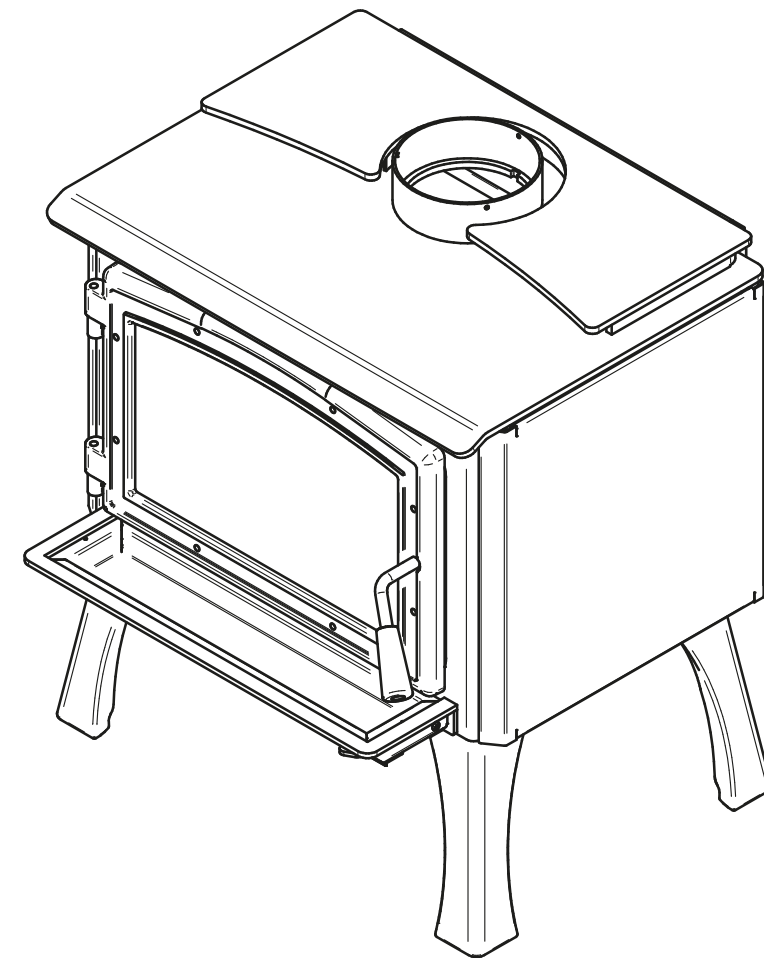
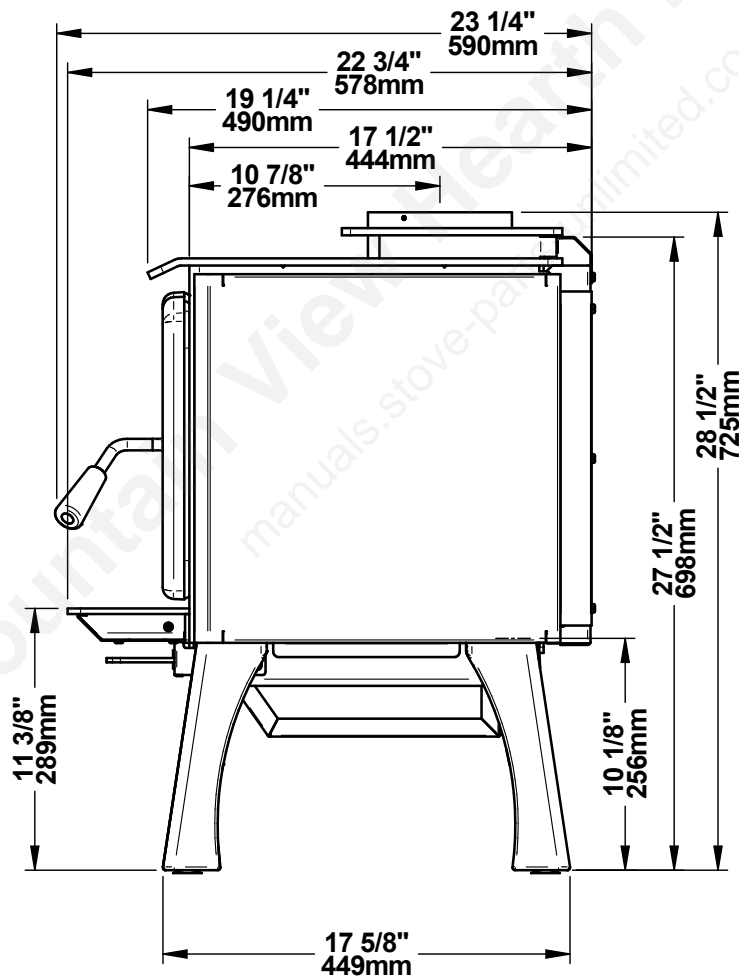
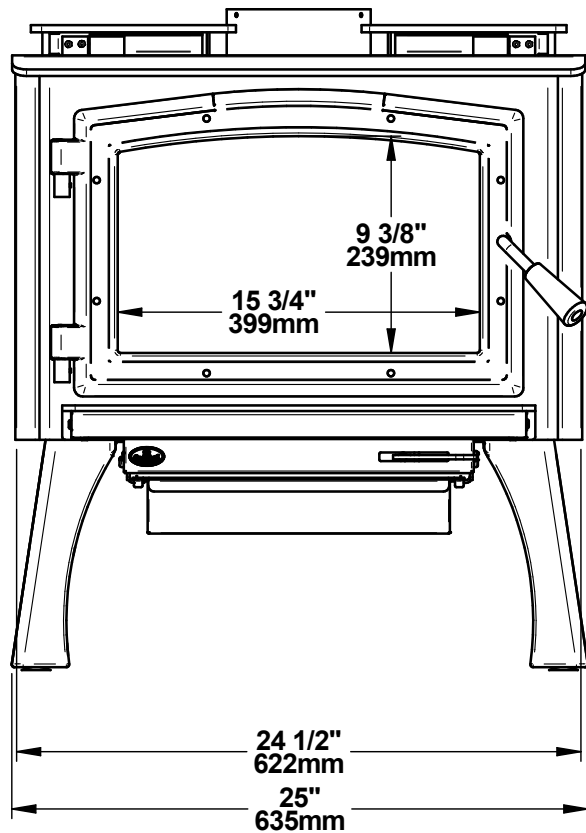
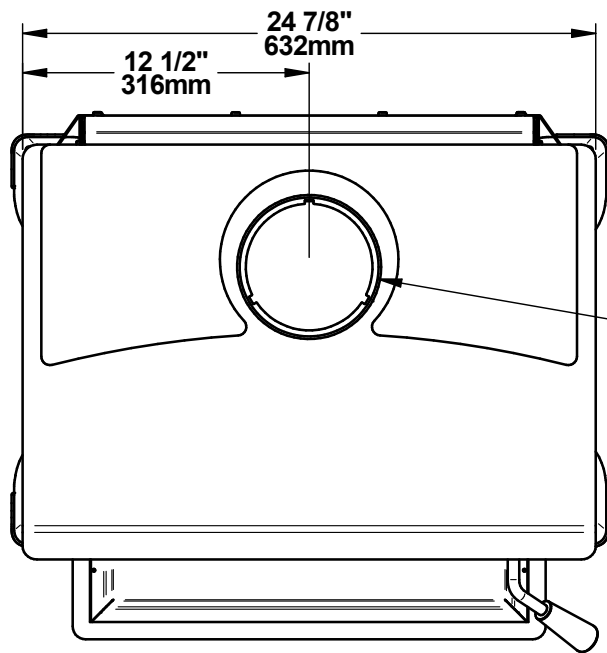


Ø 6" 150mm

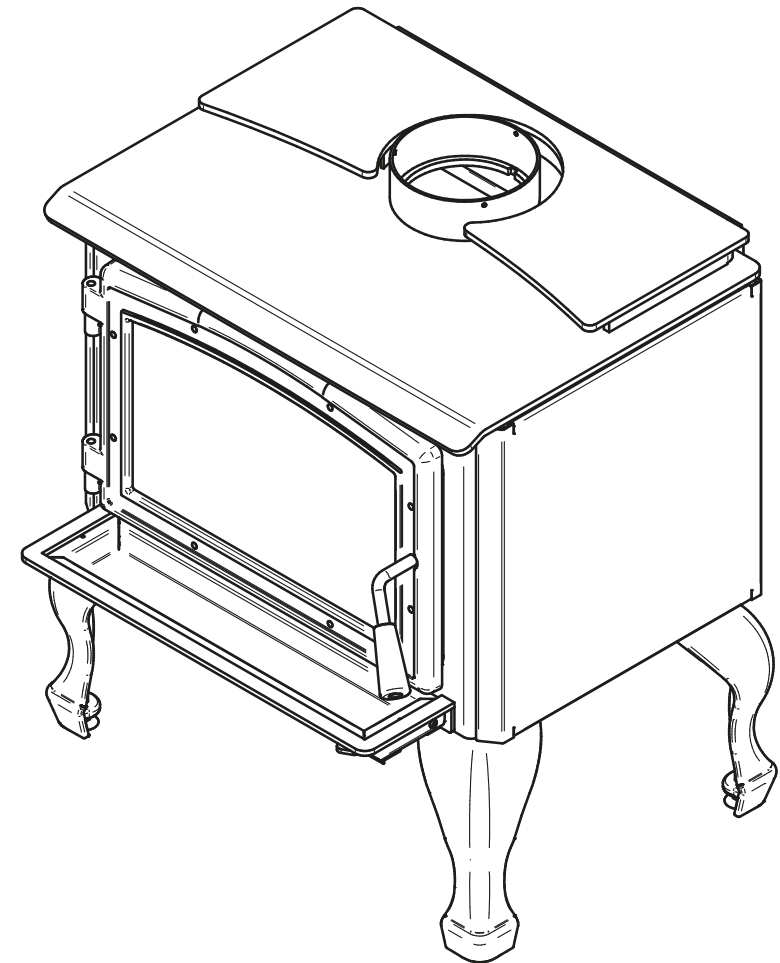
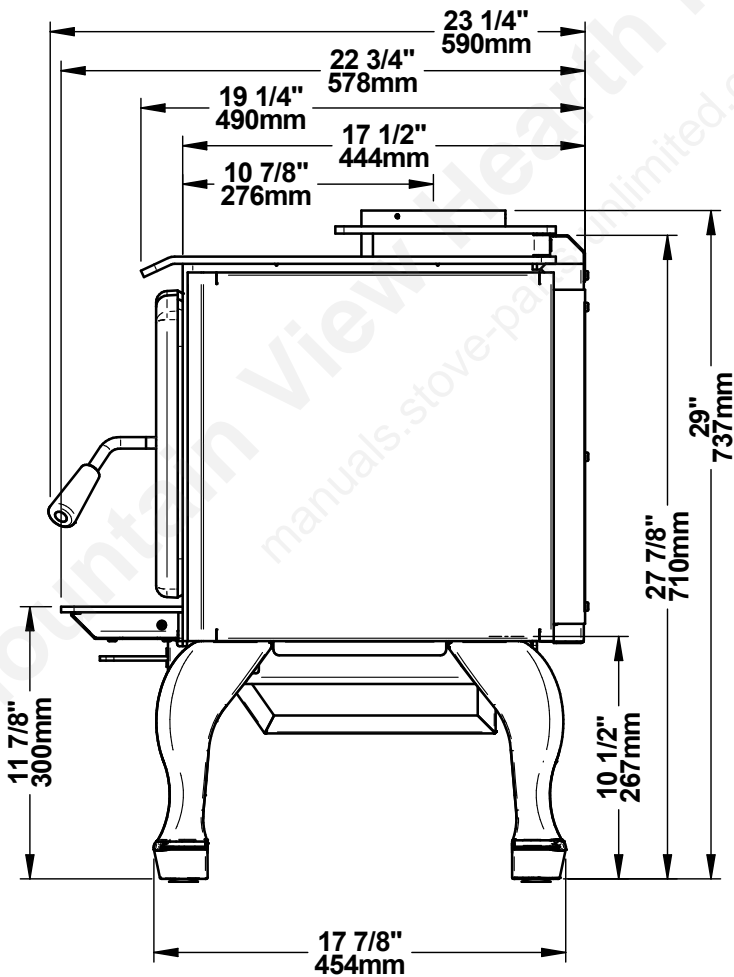
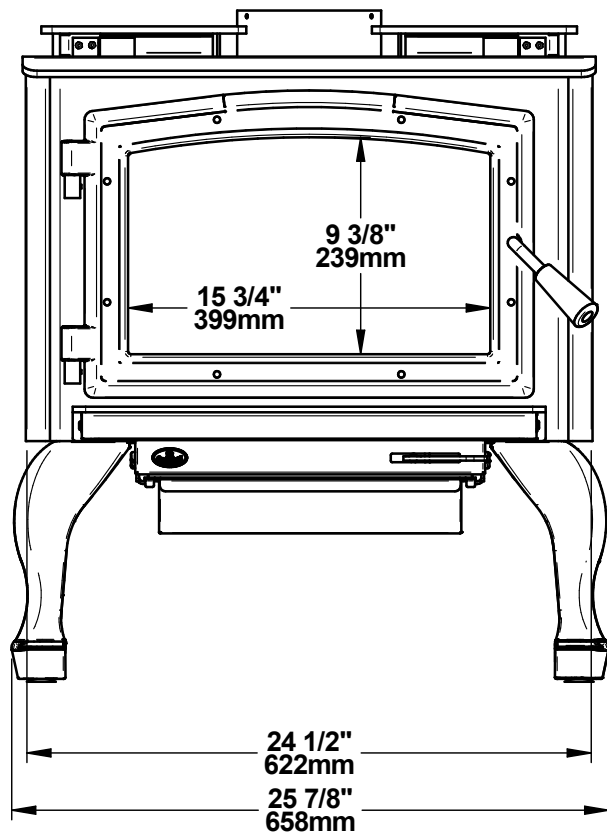


OSBURN 1700 (OB01700)
PATTES PROFILÉES / STRUCTURAL LEGS (OA10245 / OA10246)

© 2019, FABRICANT DE POËLE INTERNATIONAL INC. TOUS DROITS RESERVÉS / ALL RIGHTS RESERVED

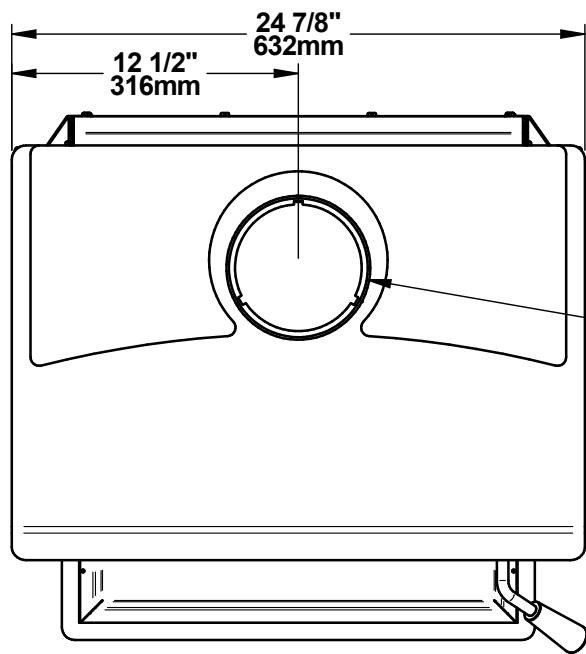


Ø 6"
150mm

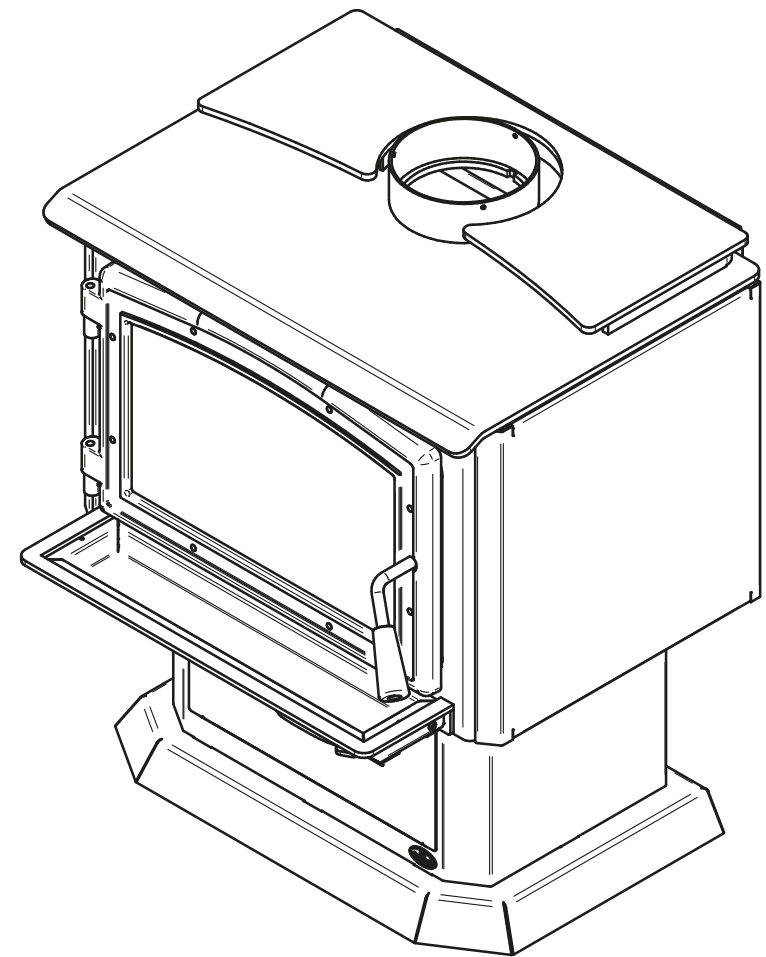
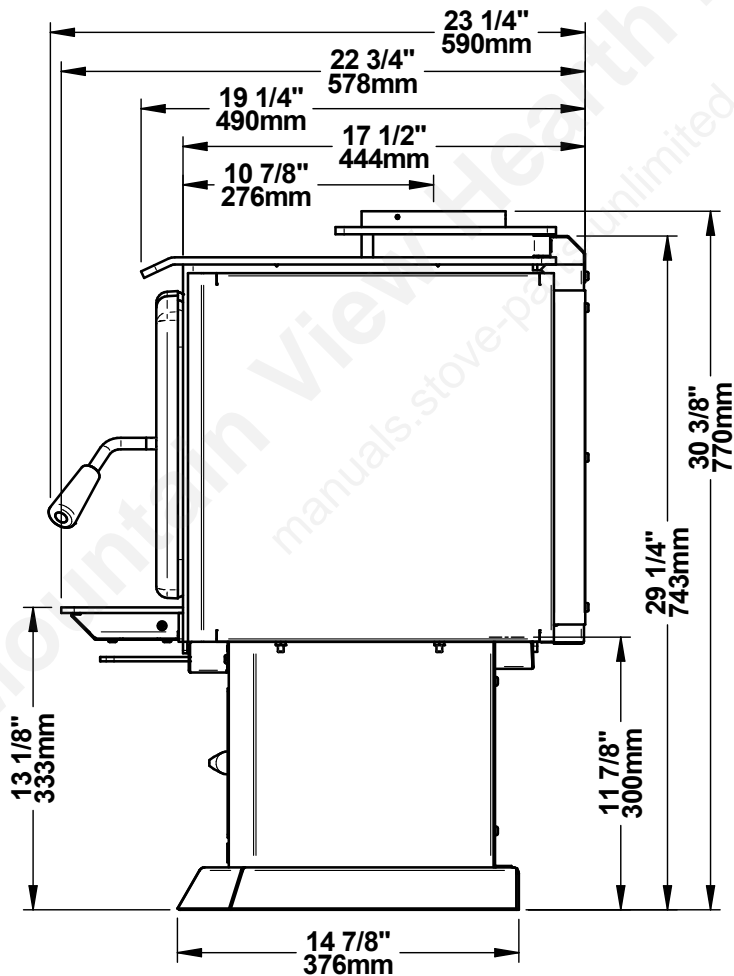
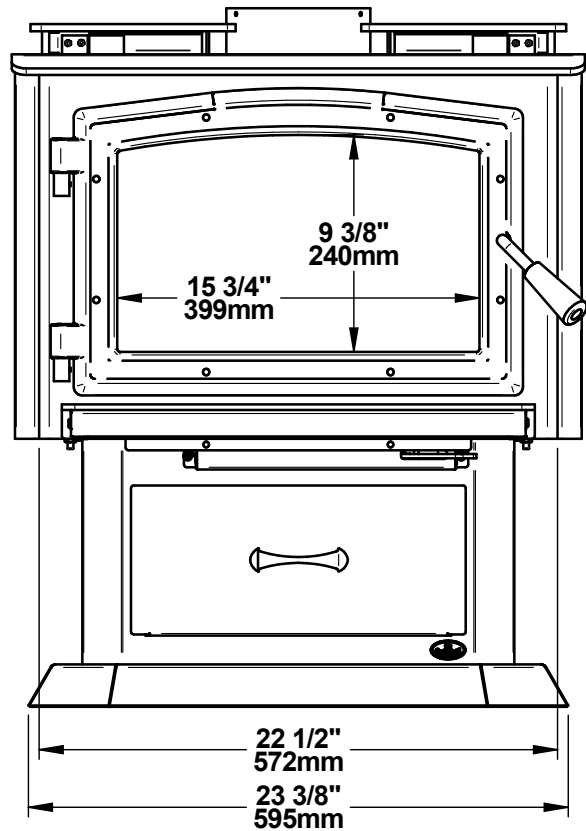


OSBURN 1700 (OB01700)
PATTES / LEGS (OA10247 / OA10248)

© 2019, FABRICANT DE POËLE INTERNATIONAL INC. TOUS DROITS RESERVÉS / ALL RIGHTS RESERVED

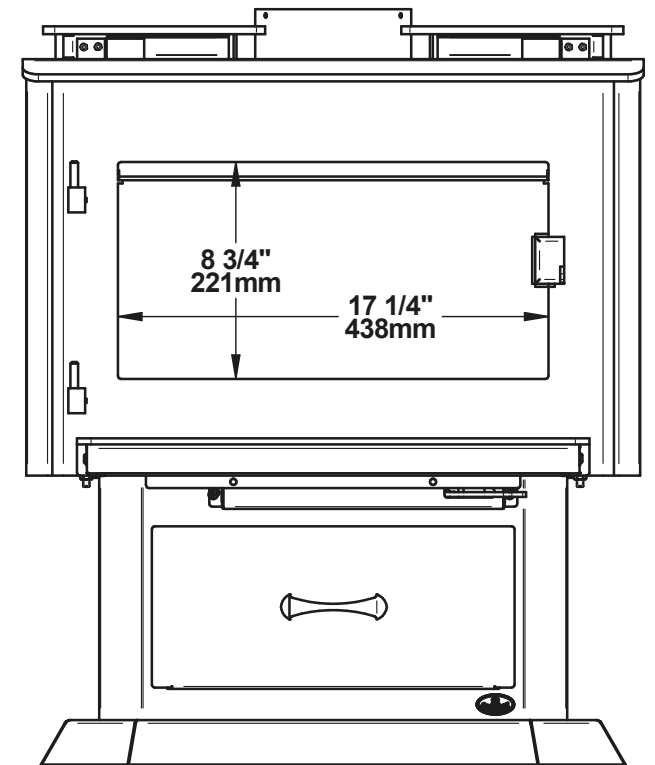
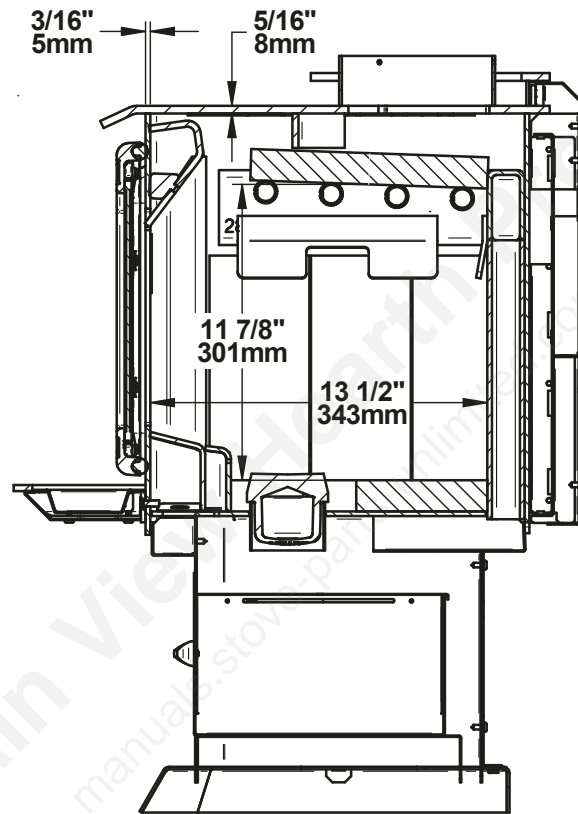
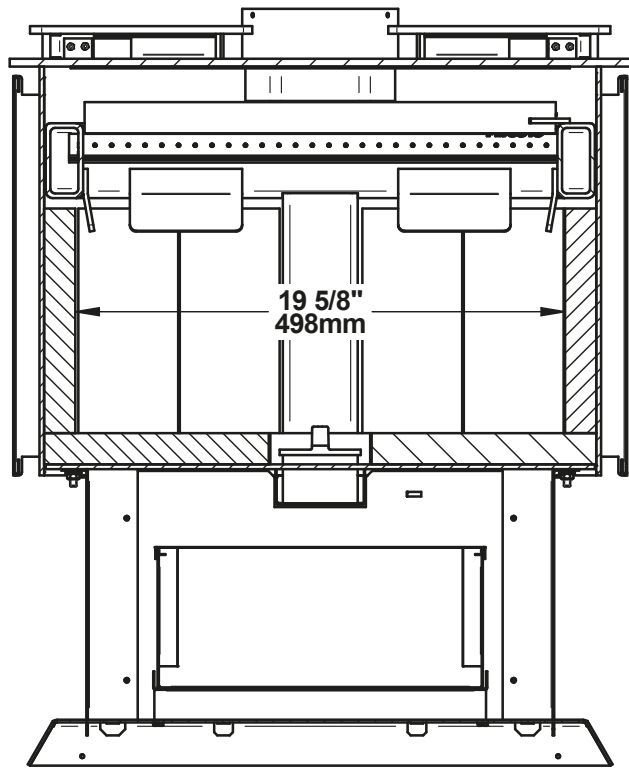


Ø 6" 150mm



OSBURN 1700 (OB01700)
PIÉDESTAL / PEDESTAL (OA10244)

© 2019, FABRICANT DE POËLE INTERNATIONAL INC. TOUS DROITS RESERVÉS / ALL RIGHTS RESERVED



Mountain View
Hearth Products
manual.stove.parts.unlimited.com

OSBURN 1700 (OB01700)
CHAMBRE À COMBUSTION / COMBUSTION CHAMBER

© 2019, FABRICANT DE POËLE INTERNATIONALE INC. TOUS DROITS RESERVÉS / ALL RIGHTS RESERVED