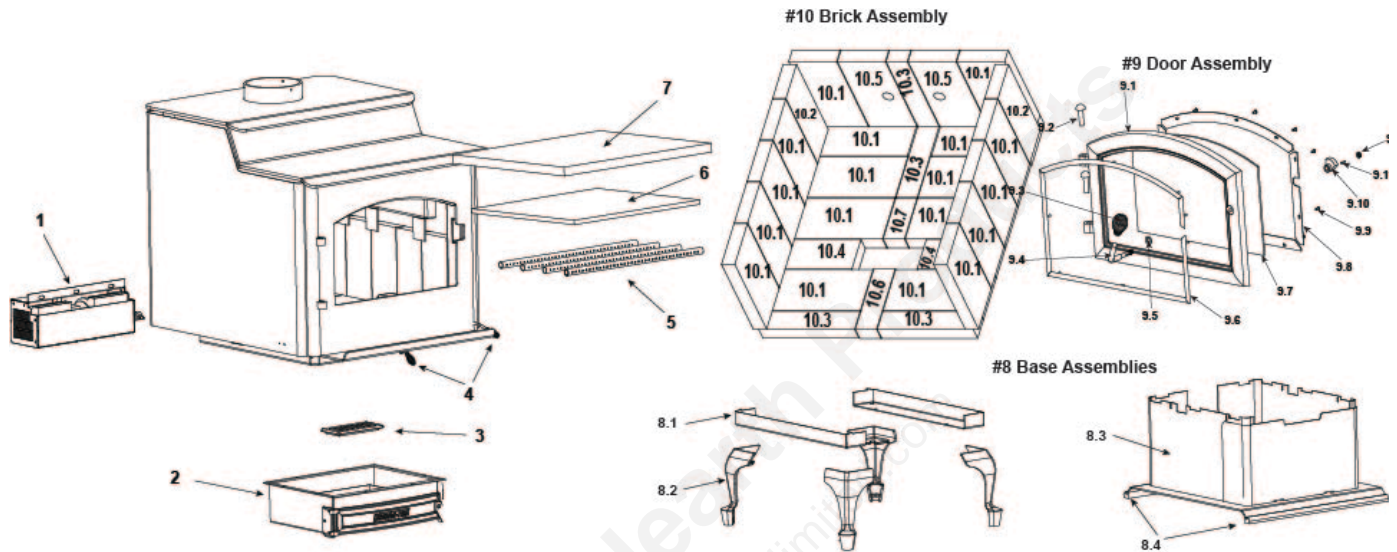


Related Service Parts - 820-0721 **Date Printed** 2022-08-29

5700 Step Top **Beginning Manufacturing Date** 2003-02-03

Ending Manufacturing Date 2010-02-04



Item #	Description	Comments	Service Part	Volume	Weight	Qty Per Package	Stocked At Depot	MSRP USD
	Blwr Cord w/Speed Control		821-0110	0.222	2.000	1	Y	\$219.00
	Blower, Convection, Service		812-4900	0.593	5.400	1	Y	\$228.00
3	GRATE, ARS, 31,43		832-2980	0.031	1.200	1	105	\$127.00
	ASH BOX HINGE		434-0310	0.029	1.000	1	105	\$40.00
	ASH PAN		434-0330	0.000	5.000	1	105	\$47.00
	GASKET, 3/8* ROPE, 10 FT	10 Ft	SRV7000-134	0.150	0.350	1	105	\$44.00
	ASSEMBLY ARS HANDLE		472-5060	0.035	0.200	1	21	\$8.00
	PLUG, TRIMONT		229-0880/24	0.003	0.250	24	Y	\$23.00
4	SPRNG HANDL,PAIR,GLD,1/4	Gold	832-0630	0.000	0.063	2	Y	\$36.00
4	HANDLE,SPRING,1/4 NL (1)	Nickel	250-8340	0.063	0.100	1	Y	\$7.00
5	MANIFOLD TUBE SET, 5700		832-3440	0.058	2.200	1	Y	\$323.00
	Manifold Clip/Screws (4)		832-0661	0.009	0.125	5	28	\$31.00
6	BAFFLE,FIBER, 5700		832-3430	0.750	3.000	1	Y	\$194.00
7	Blanket, Kaowool, 1 Inch		832-3401	0.675	3.900	1	Y	\$94.00
8.1	ADAPTER, LEG	No longer available	472-0540†	0.160	8.000	1	N	**
8.4	TRIM, OAK STRIPS	No longer available	SRV472-0520†	0.058	1.500	1	N	**
9.2	HINGE PINS, GOLD, (2)	Gold	832-0250	0.159	0.500	2	105	\$52.00
9.2	HING PIN, 1/2*, NL		SRV430-5320	0.081	0.350	1	21	\$32.00
9.3	Spring Handle, Door, 1/2	Gold	832-0620	0.159	0.188	1	Y	\$29.00
9.3	Handle, Spring, 1/2*, S Nkl	Nickel	250-8330	0.035	0.500	1	Y	\$18.00
9.4	HANDLE, DOOR, FORMED		SRV430-1131	0.081	0.550	1	105	\$34.00

9.5	Washers 3/8 SAE,3ea		832-0990	0.005	0.125	3	Y	\$13.00
9.6	Gold Plate,Trim Ring,5700	No longer available	472-0600†	0.889	2.500	1	N	**
9.6	Trim Ring,Nickel,5700	No longer available	472-0690†	0.889	2.500	1	N	**
9.7	GLASS ASSEMBLY		SRV7000-014	0.547	4.400	1	Y	\$208.00
9.8	GLASS FRAME SET, 5700		GLA-FRM-5700	0.509	3.000	1	105	\$79.00
9.9	Screws,(10)Glass Tabs,Dr		832-0860	0.005	0.063	10	Y	\$14.00
9.10	CAM LATCH DOOR		SRV430-1141	0.081	0.100	1	105	\$16.00
9.11	KEY, LATCH CAM, 5/8		SRV430-1151	0.081	0.250	1	21	\$10.00
9.12	NUT,SIDE LOCK JAM, PKG 24		226-0100/24	0.074	0.250	24	Y	\$17.00
	LOGO, QUAD BLACK, 10PK		7000-649/10	0.061	1.000	10	14	\$42.00
	GLASS TAPE	5 Ft	832-0460	0.063	0.300	1	Y	\$42.00
	Rope, Door, 3/4 x 84	7 Ft	832-1680	0.159	0.800	1	Y	\$64.00
	COMPONENT PACK BK/GD DR	Gold	SRV436-5350	0.031	2.000	1	105	\$85.00
	COMPONENT PACK NL DOOR	Nickel	436-5360	0.500	2.000	1	105	\$76.00
10	BRICK SET, 5700 (1BOX)		832-3410	1.580	59.000	1	Y	\$357.00
10.5	BRICK W/HOLE PKG-2		SRV436-0380	0.521	6.000	2	Y	\$66.00
	Brick, Single Uncut,Pumic		832-0550	0.194	3.000	1	28	\$21.00
	Brick,Uncut (Set of 6)		832-3040	0.389	12.350	6	78	\$66.00
	ARS Firebox Seal Plt Assy		832-3110†	0.222	2.900	1	N	**
	HANDLE ASSEMBLY 5700/4300		472-5130	0.031	1.000	1	105	\$68.00
	Paint,Mt Blk,Aerosol,4oz		812-0910	0.083	0.100	1	105	\$31.00
	RELINER KIT		SRV472-5170	0.509	12.050	1	105	\$440.00
	SPEED CONTROL (RHEOSTAT)		842-0370	0.083	0.500	1	Y	\$149.00
	Front Cover,OAK	No longer available	436-7000†	0.148	1.250	1	N	**
	OUTSIDE AIR SHIELD		SRV33271	0.185	1.000	1	Y	\$13.00
	Rear Channel,OAK	No longer available	436-7020†	0.148	1.000	1	N	**
	Side Channels,OAK	No longer available	436-7010†	0.056	0.750	1	N	**
	Classic black door upgrade kit, satin nickel (includes spring handles and hinge pins; door spring handle only used on Millennium Series)		UK-DRNL	0.159	0.550	1	28	\$85.00
	AVK REPAIR KIT 1/4 -20		RIVNUT-REPAIR	0.063	2.000	1	Y	\$85.00
	SCREW 1/4-20X5/8 PKG 24		220-0440/24	0.000	1.000	24	Y	\$17.00
	SCREW, 8-32 X 3/4, PH PHL		229-1100/24	0.003	0.500	24	Y	\$14.00

** Pricing not available because of one of the following: Not able to calculate - please contact person who sets pricing for your company, part not available to order or distributor needs to provide your pricing directly to you.

†Denotes discontinued product.