

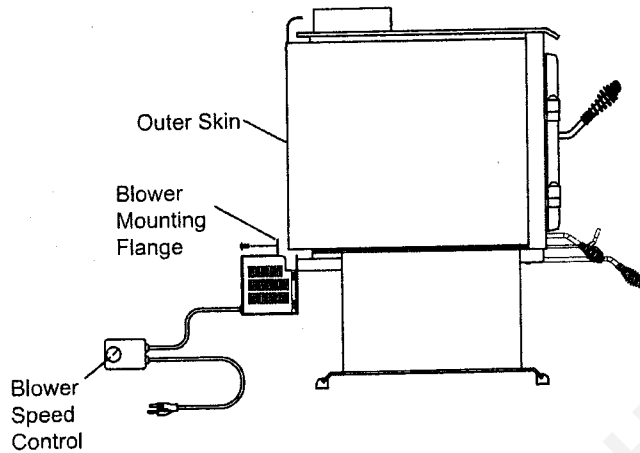
# QUADRA-FIRE®

## FREESTANDING WOODSTOVE BLOWER

Part 831-1701

**Included in Kit:** Blower Assembly

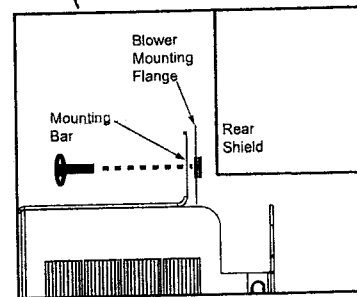
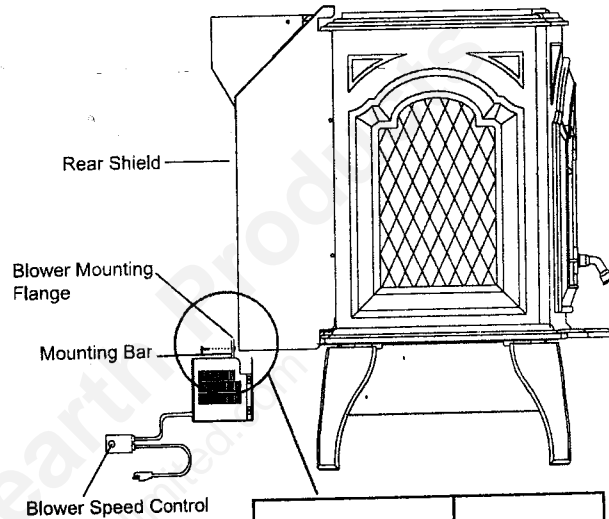
**Tools Needed:** Phillips Head Screwdriver



1. Remove the three bolts (1/4"-20 Phillips Head) on the outer skin at the bottom rear of stove.
2. Align holes in mounting flange of blower with bolt holes in stove. Blower should be positioned around bottom of rear outer skin as shown in drawing below.
3. Reinsert and tighten bolts, securing blower onto outer wall of stove.

**NOTE:** IF YOUR STOVE DOES NOT HAVE MOUNTING HOLES, A NUTBAR CLAMP PLATE IS AVAILABLE FROM YOUR DEALER (Part 832-3220).

CAPE COD, ISLE ROYALE, YOSEMITE & CUMBERLAND GAP only



1. Remove the three Phillips head screws and the mounting bar from the outer shield at the lower back of the stove.
2. Align holes in mounting bar with those on mounting flange of blower in order to sandwich the blower mounting flange between the rear shield and the mounting bar.
3. Align screws with holes in rear shield and tighten securing blower to stove.

**Do not remove ground from plug.** Plug blower cord into a grounded outlet. Route power cord away from stove in such a manner to avoid heat from the stove, traffic, or other damage. Do not route cord under or in front of stove.

See reverse page of this document for instructions on operating the blower and to adjust the blower speed control (only if necessary).

1445 North Highway  
Colville, WA 99114

HEARTH & HOME  
technologies  
250-0415D February 7, 2005 Page 1 of 2

www.quadrafire.com

## STEPS FOR ADJUSTING THE BLOWER SPEED CONTROL

*The blower speed control for this unit is adjusted at the factory, and normally does not require further adjustment. However, if you feel you need to adjust it, follow these steps below.*

1. With the unit plugged in, turn the speed control knob to slow (full clockwise).
2. With a small screwdriver, adjust the blower speed by turning the adjustment mechanism through the hole on the side of the speed control.
3. Adjust the speed so the blower runs slowly, but does not stop. Turn clockwise to slow the blower and counterclockwise to increase the speed.

## BLOWER OPERATING INSTRUCTIONS

The blower is equipped with a speed control. When the speed control is turned clockwise, it will immediately click on the high speed. The highest blower speed is obtained by turning the speed control to "ON" (clockwise) and then adjusting counterclockwise towards "OFF" as far as possible without turning the blower off. For a low blower speed, turn the control knob clockwise as far as possible. At full clockwise, the blower should blow gently, but should not stop.

1. **Initial (cold) start-up:** Leave blower off until your stove is hot and a good coalbed is established. The blower may be turned on approximately 30 minutes after loading the stove with fuel.
2. **High burn setting:** The blower may be left on throughout the burn.
3. **Medium burn setting:** The blower should be left off until a good burn is established, then turned on at a medium or high rate.
4. **Low burn setting:** The blower tends to cool off the stove. If you are using wet wood or a very low burn setting, leave blower off until the burn is well established. Then, if you wish, turn the blower on at a lower rate. Too high a blower setting with a low burn rate may adversely affect emissions.