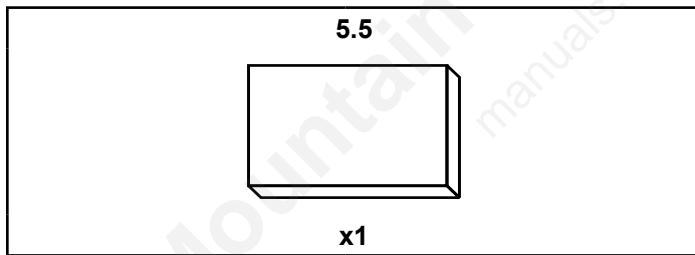
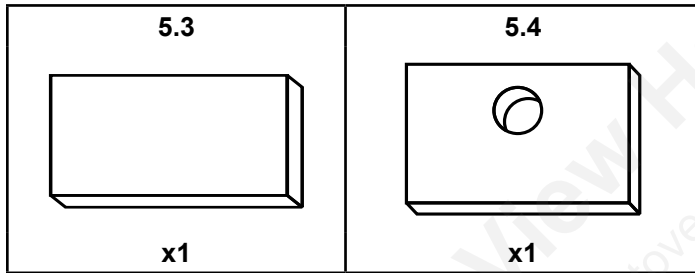
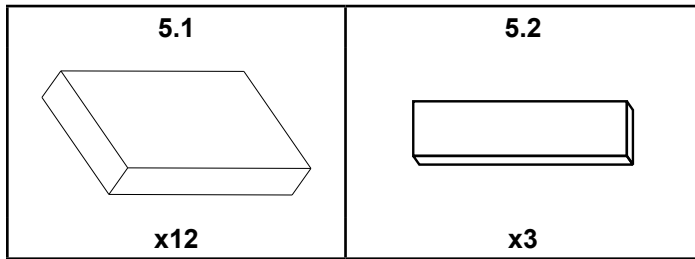


Brick Replacement - Installation Instructions
 Part #831-1890
 for: 2100 Millennium Act Freestanding



Included in Kit:

Id	Description	Qty
5.1	Brick, 9 x 4.5 x 1.25	12
5.2	Brick, 9 x 2.5 x 1.25	3
5.3	Brick, 7 x 4.5 x 1.25	1
5.4	Brick, 7 x 4.5 x 1.25 with hole	1
5.5	Brick, 6.75 x 4.5 x 1.25	1



Tools Needed:

Leather gloves, Vacuum Cleaner, Metal bucket and Scoop made out of noncombustible material

CAUTION

 **Injury Risk.**

- Gloves recommended

CAUTION

Ensure appliance is completely cooled before completing this service replacement.

WARNING

Fire Risk.

Disposal of Ashes

- Ashes should be placed in metal container with tight fitting lid.
- Do not place metal container on combustible surface.
- Ashes should be retained in closed container until all cinders have thoroughly cooled.

1. After the coals have completely cooled. Remove all old brick and ash from appliance; vacuum firebox.
2. Remove new brick set from box and lay out to diagram shown in **Figure 1**.

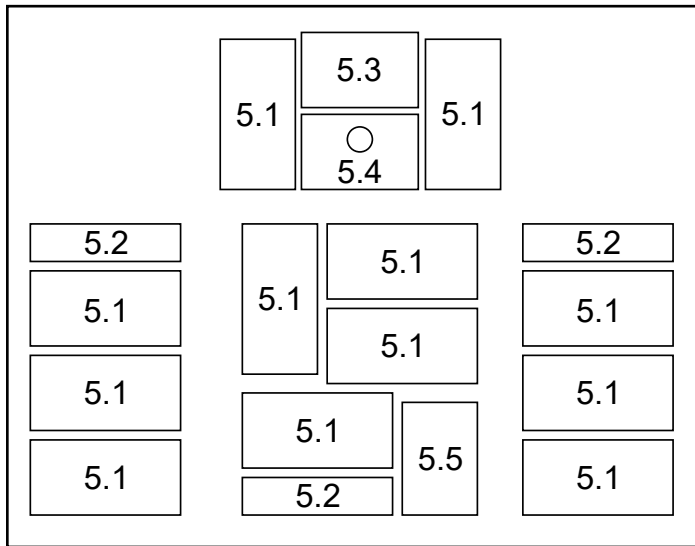


Figure 1

3. Install bottom bricks. Lay bottom bricks in appliance (**Figure 2**).

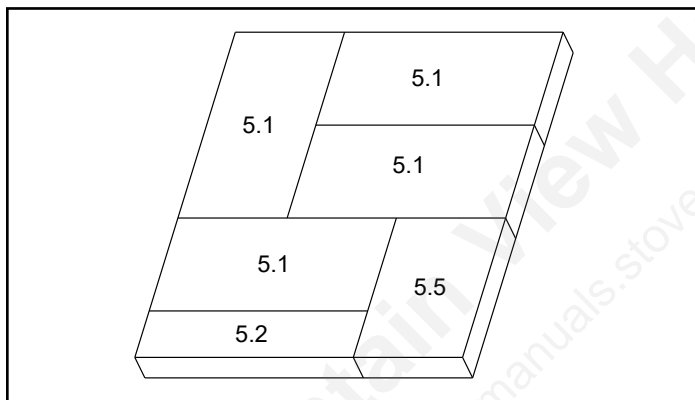


Figure 2

4. Install rear bricks at the back of the appliance. Slide the bricks under clip on back of firebox wall and push into place (**Figure 3**).

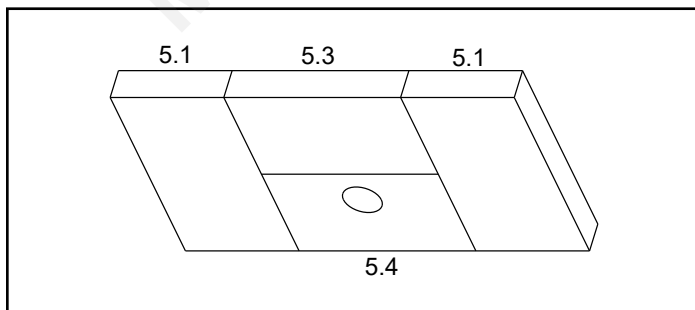


Figure 3

5. Install side bricks. Slide top of brick under clips on side of firebox and push the bottom of the brick until it is flush with the side of the appliance (**Figure 4**).

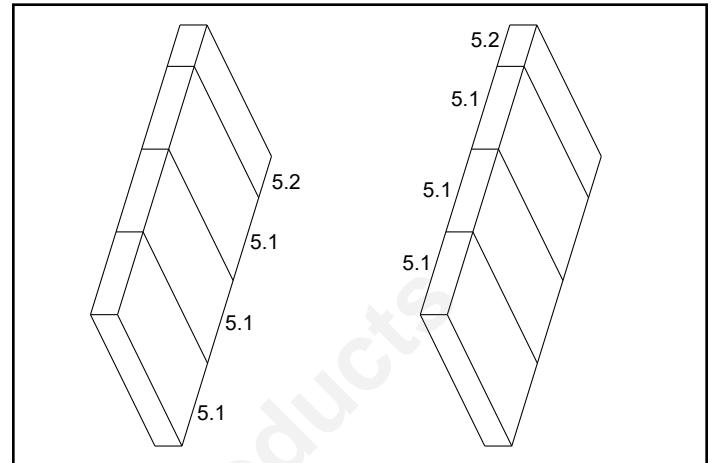


Figure 4



CAUTION

- Ensure that the firebricks are correctly positioned
- Firebox does not contain any broken bricks prior to operating the unit.

NOTE: The firebox is lined with high quality firebrick, which has exceptional insulating properties. **DO NOT** operate appliance without the firebrick.

Associated Brick Service Part Numbers

Part Number	Description
832-0550	Single Brick
832-3040	Brick uncut (pkg of 6)
SRV473-0370	Brick with hole (pkg of 1)

6. Completed brick assembly inside of firebox should appear as shown in **Figure 5**.

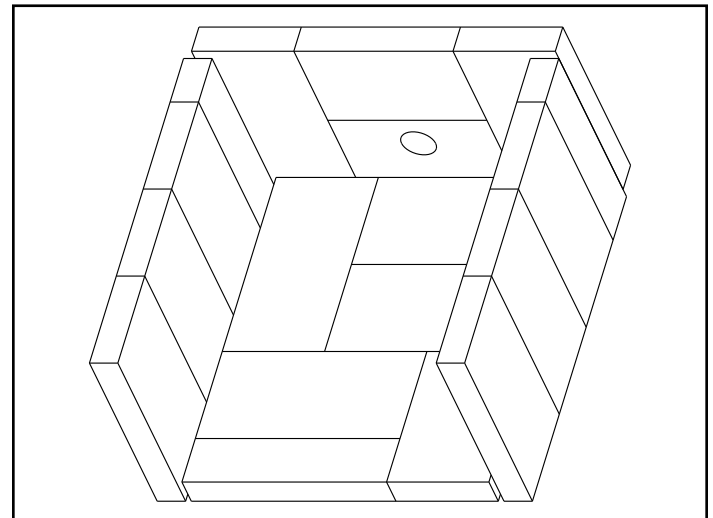


Figure 5