

QUADRA-FIRE®

FAN (BLOWER) INSTALLATION INSTRUCTIONS

2100-I 831-0911

2700-I BK-7007

3100-I 831-1101

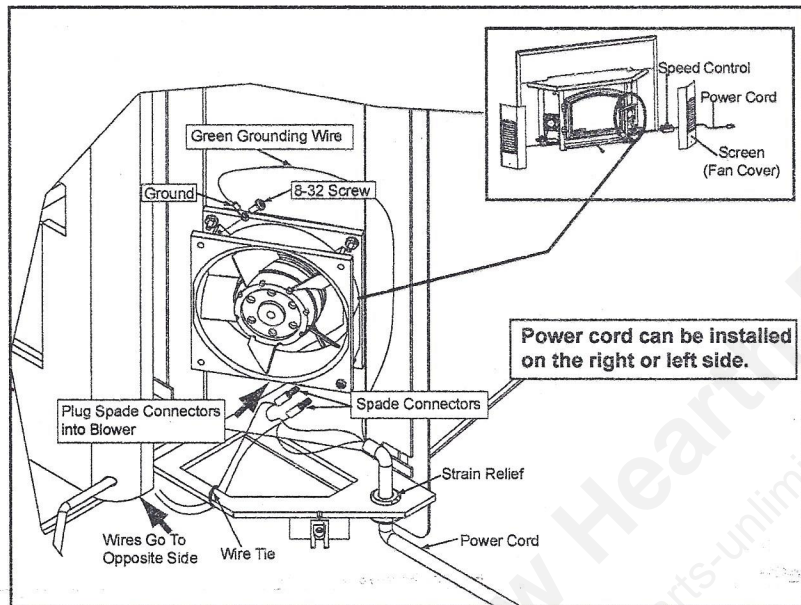
4100-I & Bodega Bay

5100-I ACT

832-3491

832-3190

MODELS: 2100-I and 3100-I

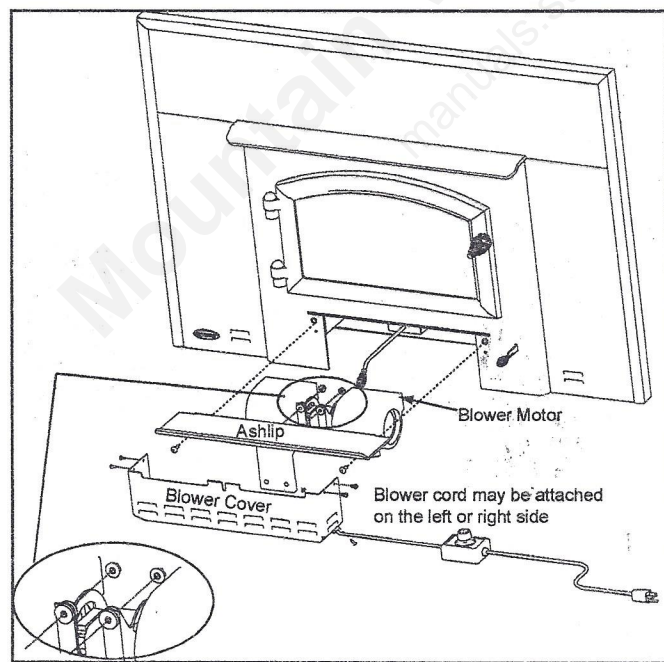


Included in Kit: (2) Fan Mounts/Fan Assemblies; (1) Speed Control, Power Cord/Wire Assembly; (1 set) Fan Connector Wires, must be high temperature wire; (1) Wire Tie and (1) Strain Relief

Tools Needed: Large Phillips Screwdriver, Pliers

1. Remove screens (fan covers).
2. Install fan mounts to outer wall with panel mounting screws.
3. Feed fan and motor wires up through large hole in floor.
4. Connect wires to fan motor terminals. Connect green ground wire to ground terminal.
5. Feed fan motor wires through holes in bottom and across to the other fan motor.
6. Install strain relief onto power cord. Using a pair of pliers, squeeze strain relief and push through hole.
7. Plug in and test blower operation. Replace screens.
8. Route power cord away from the unit. **DO NOT** route power cord under or in front of unit.

MODEL: 2700-I



Included in Kit: Blower Motor and Cord.

Tools Needed: Phillips Head Screwdriver.

NOTE: Blower housing and fasteners already installed on unit

1. Remove the blower cover from the front of the unit by removing the 2 screws at each end.
2. Remove the ashlip by removing the 2 screws on each side and pull towards you. The blower housing is assembled and attached to the ashlip and will come out as one unit.
3. Remove the 4 nuts from the housing and attach the blower using the same 4 nuts. See circled area in diagram.
4. Connect the white and black wires to blower motor terminals. Connect green ground wire to ground terminal.
5. Install strain relief onto power cord. Using a pair of pliers, squeeze strain relief and push through hole.
6. Plug in and test blower operation.
7. Re-install ashlip and the blower cover.
8. Route power cord away from the unit. Do not route power cord under or in front of unit.

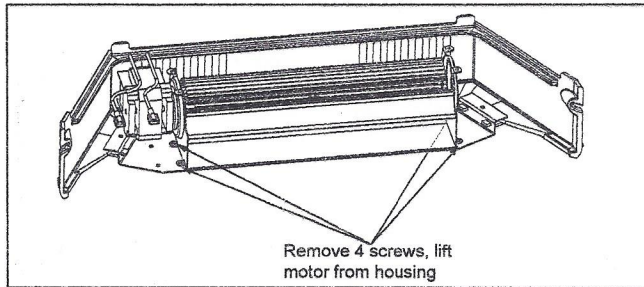
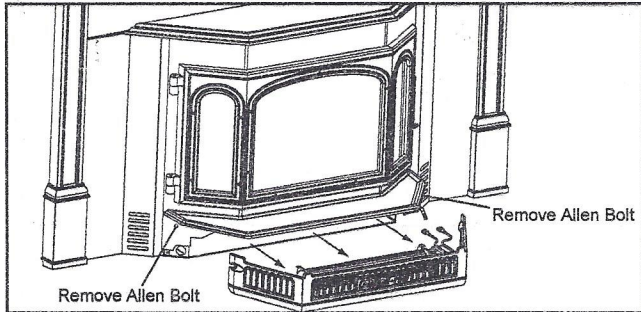
HEARTH & HOME
technologies

1445 North Highway
Colville, WA 99114

250-1743D March 25, 2008 Page 1 of 2

www.quadrafire.com

MODEL: 4100-I

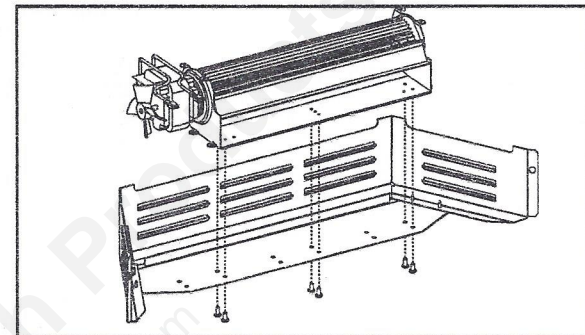
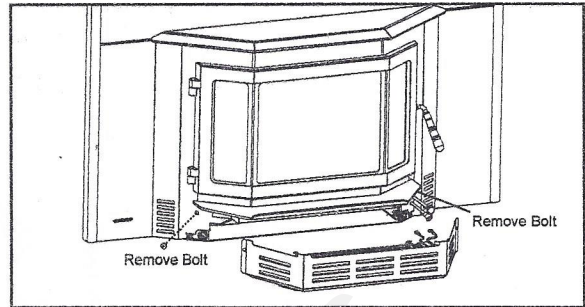


Included in Kit: Replacement Blower

Tools Needed: 5/32 Wrench & Phillips Screwdriver.

1. Remove bolts from both sides of the insert and slide the lower cast cover towards you.
2. Loosen 4 screws (2 on each side of the motor) that secures motor to the housing. Remove the motor.
3. Attach new motor using the same screws to the blower housing
4. Re-attach lower cast cover to insert using the bolts removed in Step 1.

MODEL: Bodega Bay



Included in Kit: Replacement Blower

Tools Needed: 5/32 Wrench & Phillips Screwdriver.

1. Remove bolts from both sides of the insert and slide the lower cover towards you.
2. Remove 6 screws that secures motor to the housing. Remove the motor.
3. Attach new motor using the same screws to the blower housing.
4. Re-attach lower cover to insert using the bolts removed in Step 1.

MODEL: 5100-I

Included in Kit: Replacement Blower

Tools Needed: Regular and long-handled Phillips Head Screwdriver.

1. Pull insert out into the room.
2. Lift off trim from panel set.
3. Using a long-handled Phillips head screwdriver, remove the cage nuts on each side of the insert to remove the panel set.
2. Remove 2 screws on blower housing.
3. Unhook the wires from the blower.
4. Slide blower housing out.
5. Remove 2 screws from blower and remove from housing.
6. Attach new blower to housing.
7. Re-assemble in reverse order.

