

ACC WOOD STOVES

Included in OAK-ACC (All Models): Termination cap, (2) wire ties, flex adapter, and fasteners

Included in SRV7033-041 (ACC Stoves Only): Rear cover plate, sealing rope and (4) screws (see Floor Installation Alternative Figure 2)



Tools Required: Phillips head screw driver, silicone sealant, drills & saws necessary for cutting holes through the wall or flooring in your home, 4 inch flex aluminum pipe.

Items Needed for Installation (not supplied)

- 4 inch flex aluminum pipe, or if using alternate material, then it shall be made from durable, non-combustible, heat resistant material up to 350°F. Cut the pipe to the required length for your installation.
- Phillips head screw driver
- Silicone sealant
- Drills and saws necessary for cutting holes through the wall or flooring in your home

1. Remove all materials from packing box.
2. Using a #2 Phillips screwdriver attach the flex adapter to the stove using 4 screws. **Figure 1.**
3. Remove circular "knock-out" in the base of the pedestal.
4. **Floor & Rear Installation FOR ALL STOVE MODELS:**



Cut a 4 inch (102mm) hole in outside wall or floor to accommodate outside air piping. Use 4 inch (102mm) aluminum metal flex or rigid piping to directly connect outside air to appliance intake. Use the supplied termination cap with a rodent screen. Seal between the wall (or floor) and the pipe with silicone to prevent moisture penetration.



WARNING

Fire Risk and Asphyxiation Risk.
Do not draw outside combustion air from:

- Wall, floor or ceiling cavity
- Enclosed space such as an attic or garage
- Close proximity to exhaust vents or chimneys



Fumes or odor may result



WARNING

Asphyxiation Risk.
Outside air inlet must be located to prevent blockage from:

- Leaves, snow or ice or other debris

Block may cause combustion air starvation
Smoke spillage may set off alarms or irritate sensitive individuals.



WARNING

Asphyxiation Risk.
Length of outside air supply duct shall NOT exceed the length of the vertical height of the exhaust flue.

- Fire will not burn properly
- Smoke spillage occurs when door is opened due to air starvation.

5. Floor Installation Alternative

In some instances you may not be able to install the flex pipe as show in **Figure 1**. If that is the case, you will need to order SRV7033-041 which includes a rear cover plate, sealing rope and screws as shown in **Figure 2**. The goal is to seal the pedestal so no room air can leak into the pedestal.

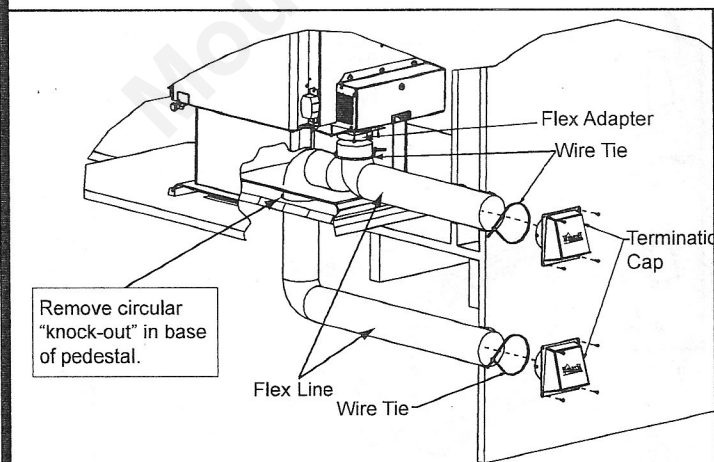


Figure 1 - Floor & Rear Installation - For All Stove Models

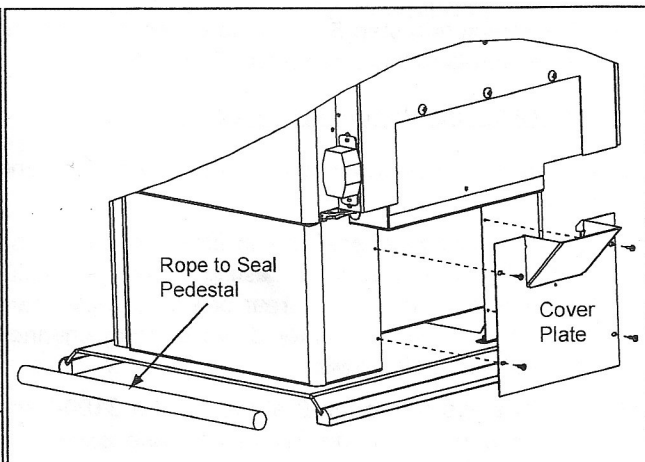


Figure 2 - Floor Installation Alternative

ACC WOOD INSERTS

Model 2700-I, 3100-I and Voyageur

Option One - Installation Instructions

The 3100-I rectangular outside air cover comes packaged with the 3100-I side panels (Figure 3) and the 2700-I cover plates are packed with the 2700-I side panels (Figure 4).

1. Remove the outside air cover plate on outer can and discard and for the 3100-I only you will reuse the 4 screws.
2. Install optional flex adapter to outer can with the same screws. Do not use plastic wire ties that come with the kit as they will melt. NOTE: You may need to install the flex pipe into the firebox first depending on installation. Attach flex to adapter with at least 2 screws.
3. Ensure existing access hole in fireplace is sufficient to feed the 4 inch flex.
4. After sliding can into fireplace, feed flex into cut opening to obtain outside combustion air.
5. Level outer can and install appliance. See owner's manual for complete details.

3100-I Model Only

6. Remove 2 screws from right side panel and remove panel.
7. Remove 6 nuts securing metal screen to back of panel.
8. Attach rectangular outside air cover over the metal screen using the same 6 nuts.
9. Ensure all wires are properly attached and then re-install side panel.

2700-I Model Only

10. After completing step 5, snap the cover plates to the 2 side panels to block room air. Figure 5.

Option Two - Installation Instructions

1. Remove the outside air cover plate on outer can and discard.
2. Ensure existing access hole in fireplace will not be covered by the outer can. Existing outside air intake hole may be under at the rear or side of outer can. Outside air may also enter down existing chimney chase in some situations.
3. Repeat steps 5 through 9 above for the 3100-I and steps 5 and 10 for the 2700-I with one exception. After installing the appliance in the outer can, seal the fireplace opening and trim package with insulation to prevent air leakage into the room.

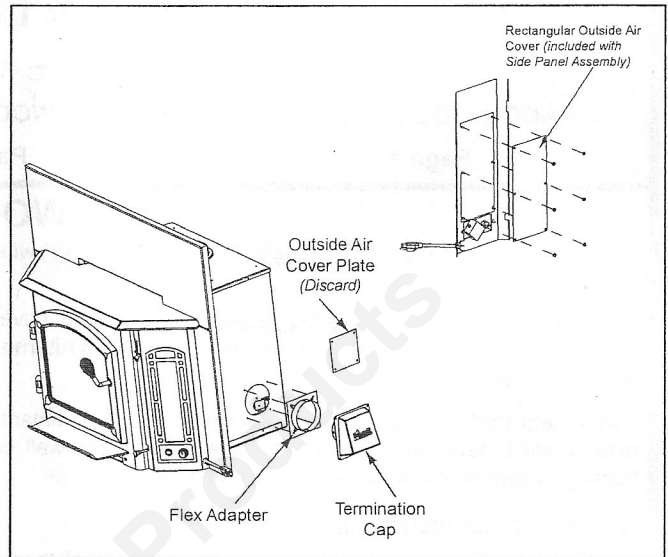


Figure 3 - 3100-I ACC Model

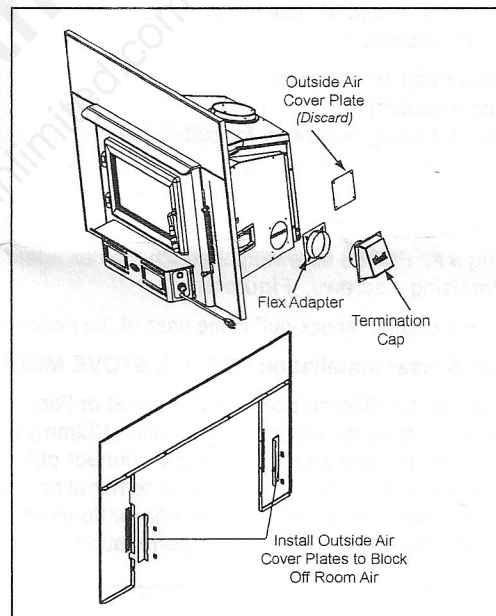


Figure 4 - 2700-I ACC Model

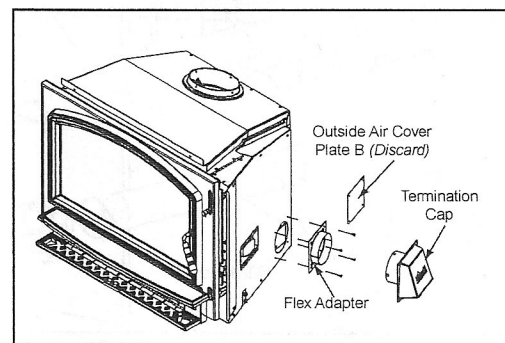


Figure 5 - Voyageur Model

ECO-CHOICE MODELS: ECO-ADV-WS18 and ECO-ADV-WS22

Included in Kit: Termination cap, (2) wire ties, flex adapter, and fasteners

Items Needed for Installation (not supplied)

- 4 inch flex aluminum pipe, or if using alternate material, then it shall be made from durable, non-combustible, heat resistant material up to 350°F (177°C). Cut the pipe to the required length for your installation.
- Phillips head screwdriver
- Silicone sealant
- Non-combustible pedestal sealing material if installing with the Alternate Floor configuration.
- Drills and saws necessary for cutting holes through the wall or flooring in your home

Instructions

1. **Rear:** Remove the access cover on the back of the pedestal and discard. **Figure 7.**
2. Using a #2 Phillips screwdriver attach the flex adapter to the appliance using 4 screws. Secure with wire tie. **Figure 6.**
3. **Floor:** For standard floor installation remove the circular "knock-out" in the base of the pedestal.
4. **Floor & Rear Installation:** Cut a 4 inch (102mm) hole in outside wall or floor to accommodate outside air piping. Use 4 inch (102mm) aluminum metal flex or rigid piping to directly connect outside air to appliance intake. Use the supplied termination cap with a rodent screen. Seal between the wall (or floor) and the pipe with silicone to prevent moisture penetration.

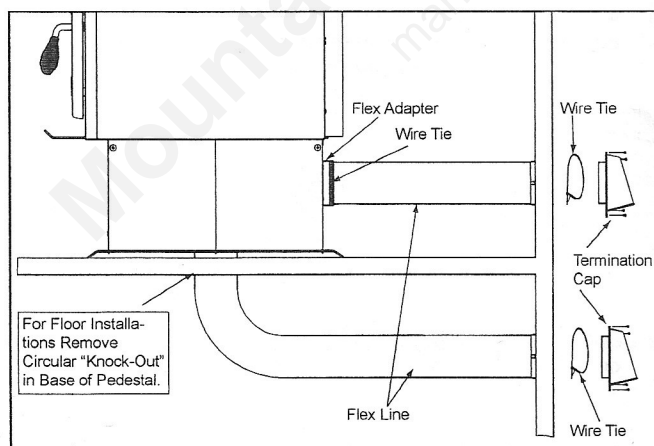


Figure 6 - Floor & Rear Installation

5. **Floor Installation Alternative:** In some instances you may not be able to install the flex pipe as show in **Figure 6.**

If that is the case, follow the instructions for a rear installation install the flex pipe to the rear of the pedestal and remove the circular "Knock-Out" in the base of the the pedestal.

You must seal off the pedestal with non-combustible material (not supplied). The goal is to seal the pedestal so no room air can leak into the pedestal and to seal for cold air infiltration. **Figure 7.**

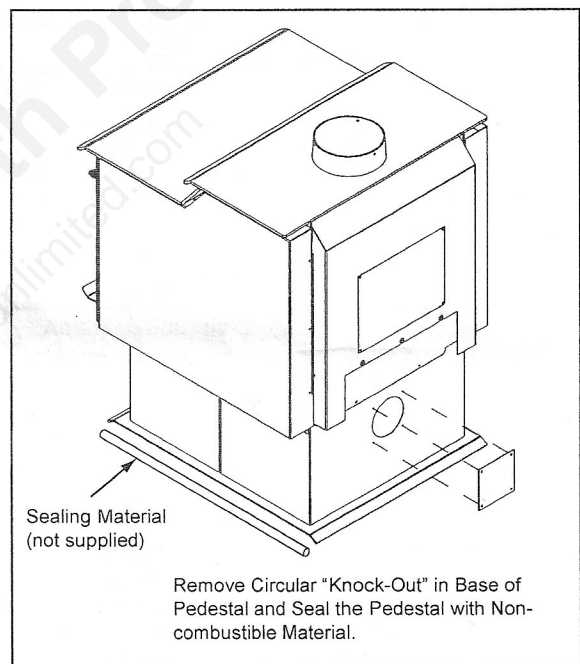


Figure 7 - Alternate Floor Installation