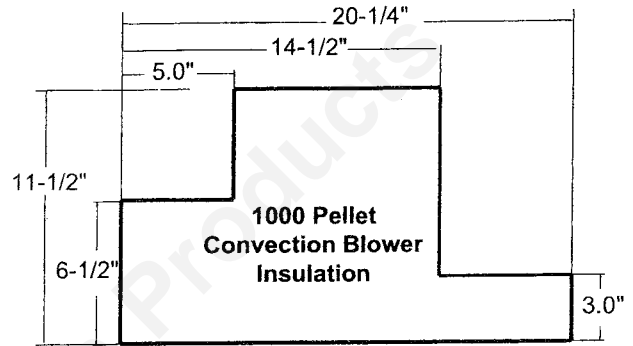
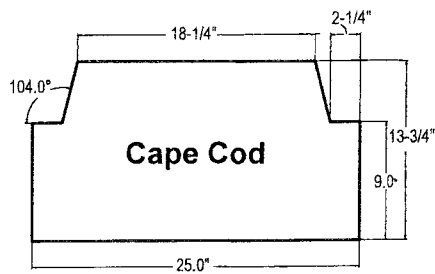
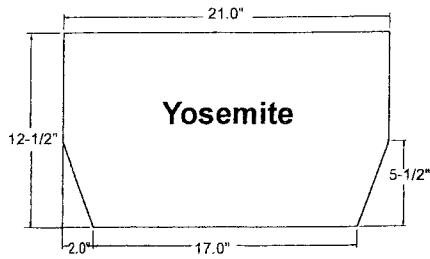


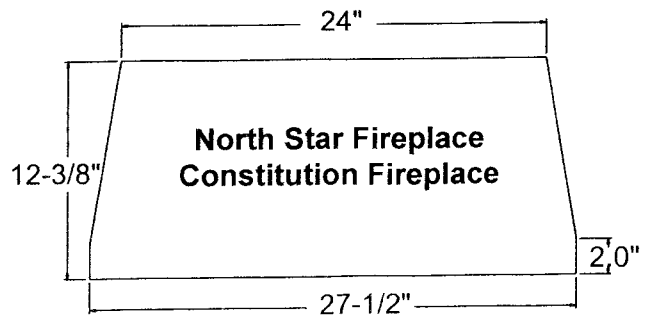
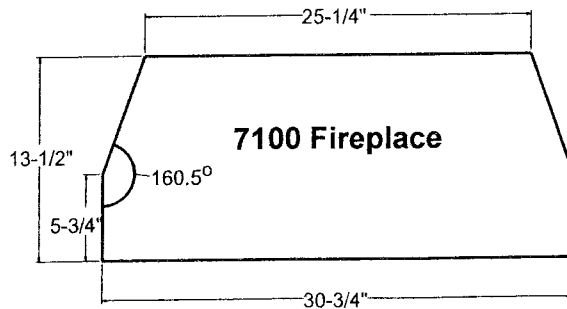
CERAMIC BLANKET 1/2 INCH THICK (Cont'd)



CERAMIC BLANKET 1 INCH THICK Part 832-3401

In Inches

Stove Model	H	W
1800 Wood Stove	13	21
3100 Series Non-ACT Wood Stove	17	19-1/2
3100 ACT Series Wood Stove	14-1/4	19-1/2
4300 ACT Wood Stove	19-1/8	16-5/8
5700 Step Top ACT Wood Stove	20-1/8	20-1/8
DV44 Gas Stove (for valve shield)	3	5
7100 Fireplace	See drawing	
North Star & Constitution Fireplace	See drawing	
FT300 Wood Stove	14-1/2	28



CERAMIC INSULATING BLANKET

Field cut to appropriate size

1/2 Inch Kit Includes: One blanket 24 inch x 25 inch

1 Inch Kit Includes: One blanket 24 inch x 31 inch

Tools Recommended: Straight edge, measuring tape, razor knife, gloves, safety glasses and dust mask.

Instructions for Cutting Blanket

1. Lay ceramic blanket on a flat, protected surface, to prevent scratching the surface when you cut the blanket.
2. Use the charts to determine the size needed.
3. Measure and mark the dimensions on the ceramic blanket.
4. Place straight edge on the blanket and using your razor knife, cut through the blanket.

Proper Placement of Ceramic Blanket

Ceramic Blanket and Baffle Board **MUST** be in contact with the back of the firebox and even with each other in the front.

WARNING! Firebox damage due to improper baffle placement is not covered by warranty. Operate the appliance with the baffle in the correct position only. Not doing so could result in: (1) Reduced efficiency, (2) Overheating the chimney, (3) Overheating the rear of the firebox and (4) Poor performance

CERAMIC BLANKET 1/2 INCH THICK Part 832-3390

In Inches

Model Name	H	W
1000 Pellet Stove (for convection blower)	See drawing	
1900 Wood Stove (2 pieces)	12	21-1/2
	4	21-1/2
2100 Series Non-ACT	17	16-3/4
2100 ACC Millennium Wood Stove	13	16-3/8
3100, 3100-I ACC Wood Insert and ECO-ADV-WS18	13-3/4	19-1/2
4300 ACC Series Wood Stove	15-1/2	19-1/2
2700-I ACT Wood Insert	12	26
2700-I ACC Wood Insert and Voyageur	See drawing	
4100-I & Bodega Bay Wood Inserts	See drawing	
4300 Non-ACT Wood Stove	17	19-1/2
5100-I Insert ACT & Non-ACT	18-1/2	20-1/2
Cape Cod Wood Stove	See drawing	
Cumberland Gap Wood Stove	See drawing	
ECO-ADV-WS22	17-1/2	19-1/2
Yosemite Wood Stove	See drawing	

