

QUADRA-FIRE

OUTSIDE AIR KIT - WOOD STOVE

Part: 831-1780

ACT MODELS

| |
|-------------------------------|
| 2100 ACT Millennium |
| 3100 ACT Millennium & Unibody |
| 4300 ACT Millennium & Unibody |
| 5700 ACT Uni-body |

(Serial No. 187693 and higher)

CAST IRON MODELS

| |
|-------------------------------------|
| Yosemite, Front and Side Load |
| Cumberland Gap, Front and Side Load |
| Isle Royale, Top Load |

Included in Kit: 1 front cover; fiberglass rope; 2 vent straps; venting flange; termination cap; & fastener package. Not all materials are needed for each model.

Items Needed for Installation: 4 inch (102mm) flex pipe in the length as required for your installation; Phillips screwdriver; Silicone sealant; Drills and saws necessary for cutting holes through the wall or flooring in your home.

1. Remove all materials from packing box.
2. Using a #2 Phillips screwdriver, remove 2 bolts beneath the ashcatcher. Re-use bolts to install front cover. Be certain that the cover is pushed back as far as possible. **Figure 1.**

3. Install side covers on each side. Slide covers into area and secure with 4 sheet metal screws. **Figure 1.**

4. **Floor installation:** Cut a 4 inch (102mm) minimum hole in the floor to accommodate outside air piping. Use 4 inch (102mm) metal flex or rigid piping to directly connect outside air to the unit or into vented crawl space. (Do not put flex into a non-vented crawl space).

Use the supplied termination cap with a rodent screen. Seal between the floor and the pipe with silicone to prevent moisture penetration. *Pedestal Model only:* Install fiberglass sealing rope under each side of pedestal. **Figure 2.**

5. **Rear/wall installation:**

Millennium Model only: Use the knockout plate in rear of the pedestal for exterior wall venting.

Cut a 4 inch (102mm) hole in outside wall to accommodate outside air piping. Use 4 inch (102mm) metal flex or rigid piping to directly connect outside air to stove intake.

Use the supplied termination cap with a rodent screen. Seal between the wall and the pipe with silicone to prevent moisture penetration. *Pedestal Model only:* Install fiberglass sealing rope under each side of pedestal. **Figure 3.**

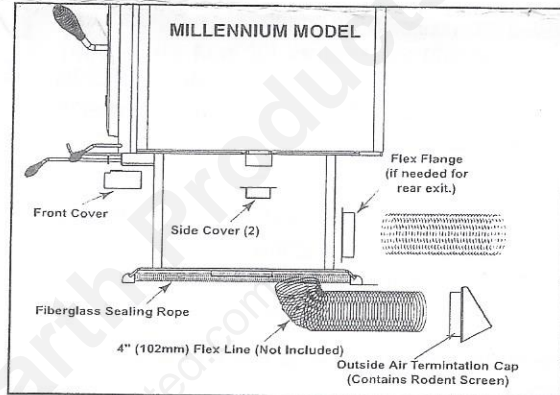


Figure 1

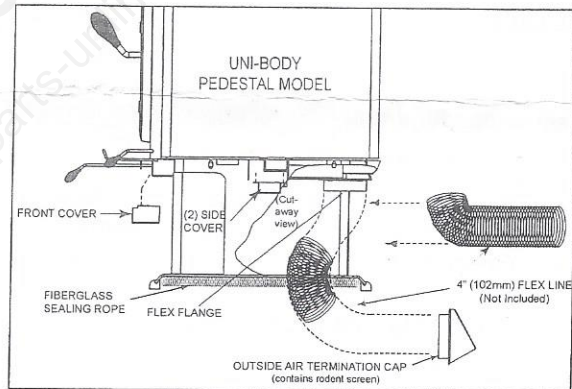


Figure 2

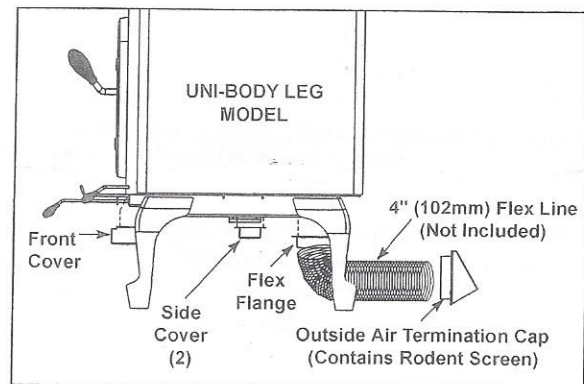


Figure 3

HEARTH & HOME
technologies

1445 North Highway
Colville, WA 99114

250-6211E July 14, 2008 Page 1 of 2

www.quadrafire.com

OUTSIDE AIR KIT INSTALLATION

YOSEMITE, CUMBERLAND GAP & ISLE ROYALE

Part: 831-1780

Included in Kit: 2 cable ties, outside air termination cap; mounting screws. (Discard the remaining parts). The cover plate for the Yosemite is located in the Component Pack inside the firebox.

Items Needed for Installation: 4 inch (102mm) diameter flex pipe in the length as required for your installation; Phillips screwdriver; 7/16" wrench; Silicone sealant; Drills and saws necessary for cutting holes through the wall or flooring in your home.

NOTE: If you plan to install the optional blower **AND** the outside air kit, complete installation of the outside air kit **FIRST**.

Remove all materials from packing box and stove component pack.

Yosemite Only:

1. Remove ash lip by using a 7/16" wrench and remove the 2 bolts underneath the ash lip. Carefully lower and set aside. **Figure 4.**
2. Swing open ash removal door. **Figure 4.**
3. Remove 2 screws from the stove bottom. Place cover over the air opening and secure with same 2 screws. **Figure 4.**

Yosemite, Cumberland Gap and Isle Royale:

5. Mount the flex flange (with pipe fitting extending out), over the intake air opening at the rear of the stove using the four mounting screws supplied with the kit. **Figure 5.**

Cut a 4 inch (102mm) minimum hole in the floor or wall to accommodate outside air piping. Use 4 inch (102mm) metal flex or rigid piping to directly connect outside air to the unit or into **vented** crawl space. (**Do not put flex into a non-vented crawl space**).

If using flex tubing attach cable ties to secure tubing at both ends. Use the supplied termination cap with a rodent screen. Seal between the floor or wall and the pipe with silicone to prevent moisture penetration.

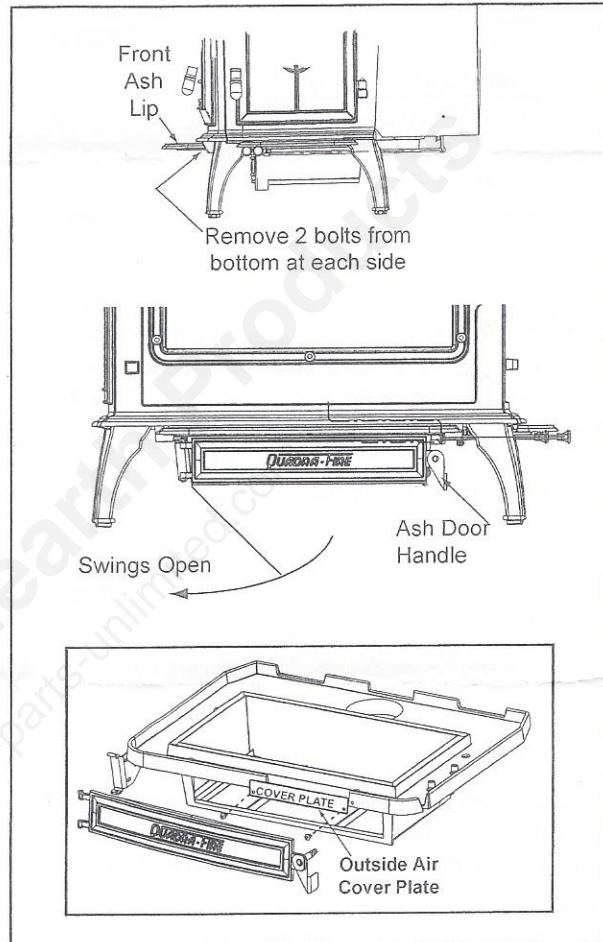


Figure 4 - Yosemite

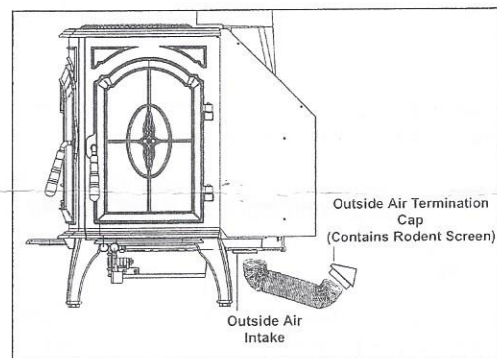


Figure 5 - Yosemite, Cumberland Gap And Isle Royale

Note: Yosemite shown in all diagrams.